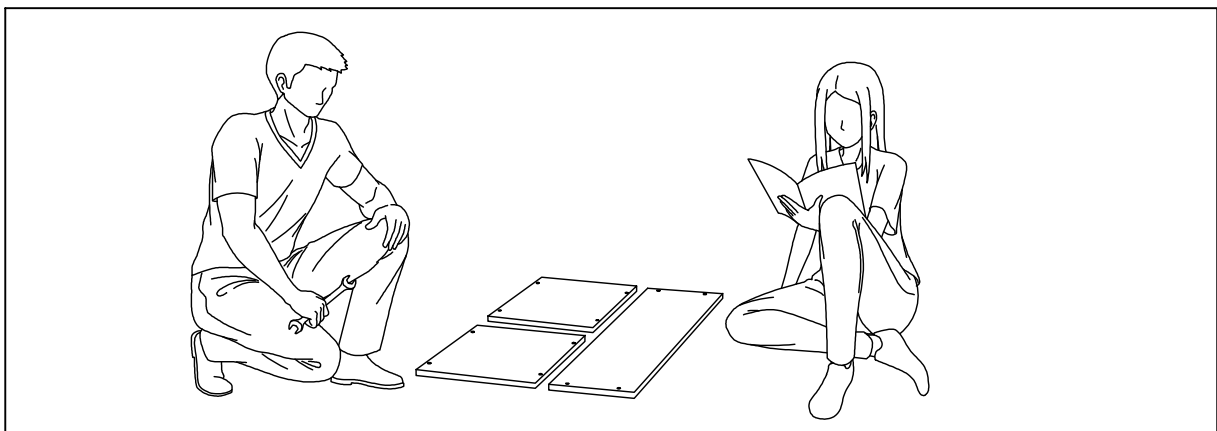
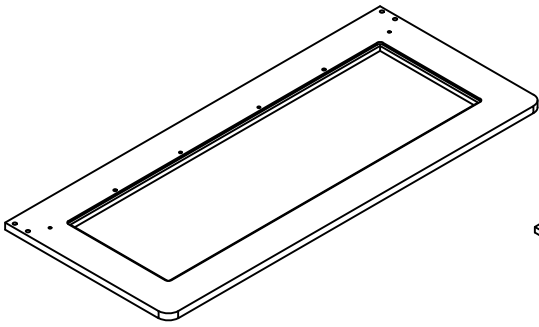


Assemble the furniture on empty carton, carpet, or rug to prevent scratches or damage.

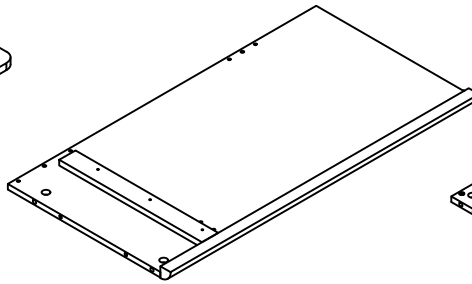


This furniture requires 2 people to assembly.  
Make sure no parts are missing or damaged before assembly.

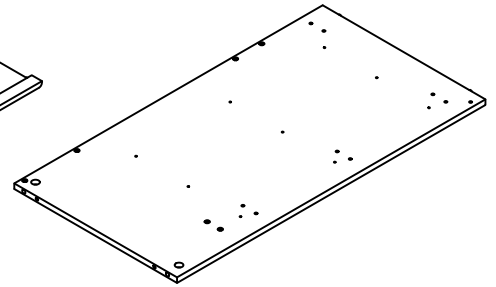
# BOARD IDENTIFICATION



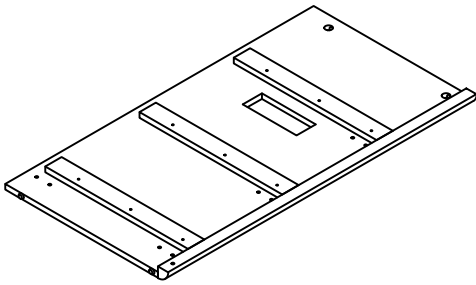
① (91.9X40X1.5cm) X1



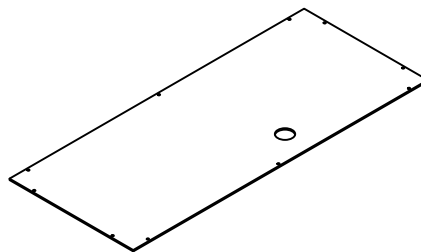
② (75.6X39.9X2.5cm) X1



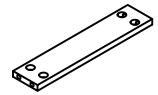
③ (75.6X39.9X1.2cm) X1



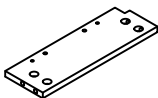
④ (75.6X39.9X2.5cm) X1



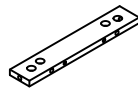
⑤ (72.2X30.3X0.3cm) X1



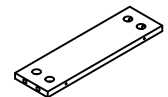
⑥ (28.1X6X1.2cm) X2



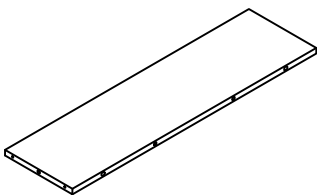
⑦ (28.1X9.2X1.2cm) X1



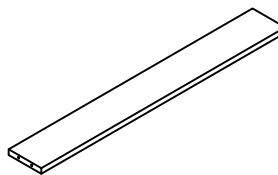
⑧ (26.9X4.8X1.2cm) X1



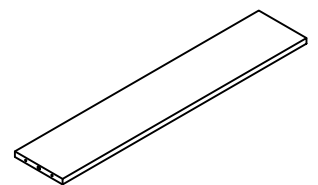
⑨ (28.1X8X1.2cm) X1



⑩ (59.8X16.5X1.2cm) X1

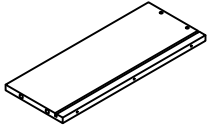


⑪ (59.8X8X1.2cm) X1

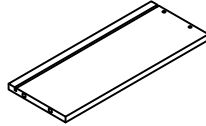


⑫ (59.8X11.7X1.2cm) X1

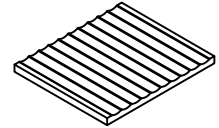
# BOARD IDENTIFICATION



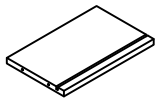
⑬ (35X14X1.2cm) X3



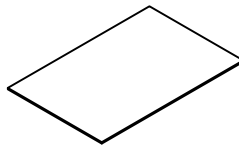
⑭ (35X14X1.2cm) X3



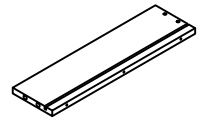
⑮ (22.7X26.3X1.5cm) X3



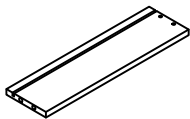
⑯ (22X14X1.2cm) X3



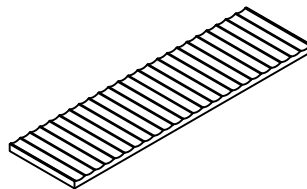
⑰ (23X34.7X0.3cm) X3



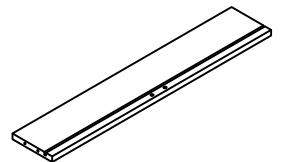
⑱ (35X9.7X1.2cm) X1



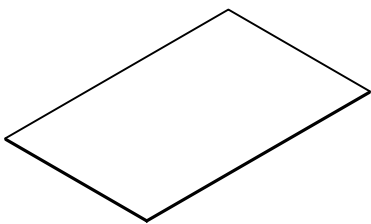
⑲ (35X9.7X1.2cm) X1



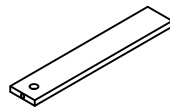
⑳ (15.9X58X1.5cm) X1



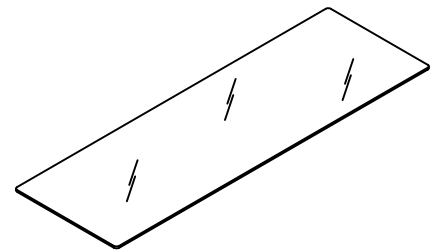
㉑ (53.7X9.7X1.2cm) X1



㉒ (54.7X34.7X0.3cm) X1

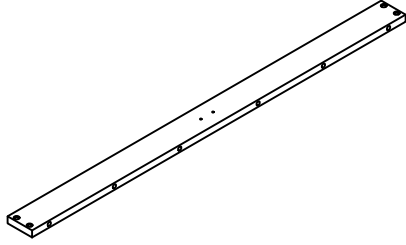


㉓ (33.7X6X1.2cm) X1

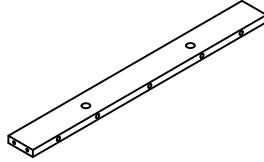


㉔ (76.9X25X0.4cm) X1

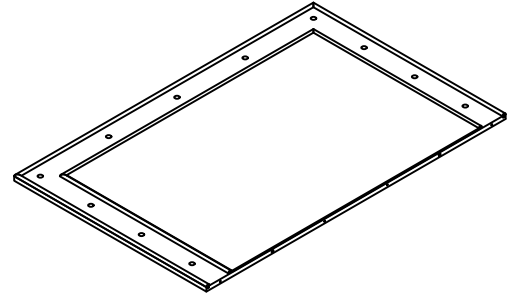
# BOARD IDENTIFICATION



②⑤ (91.6X6X1.5cm) X1

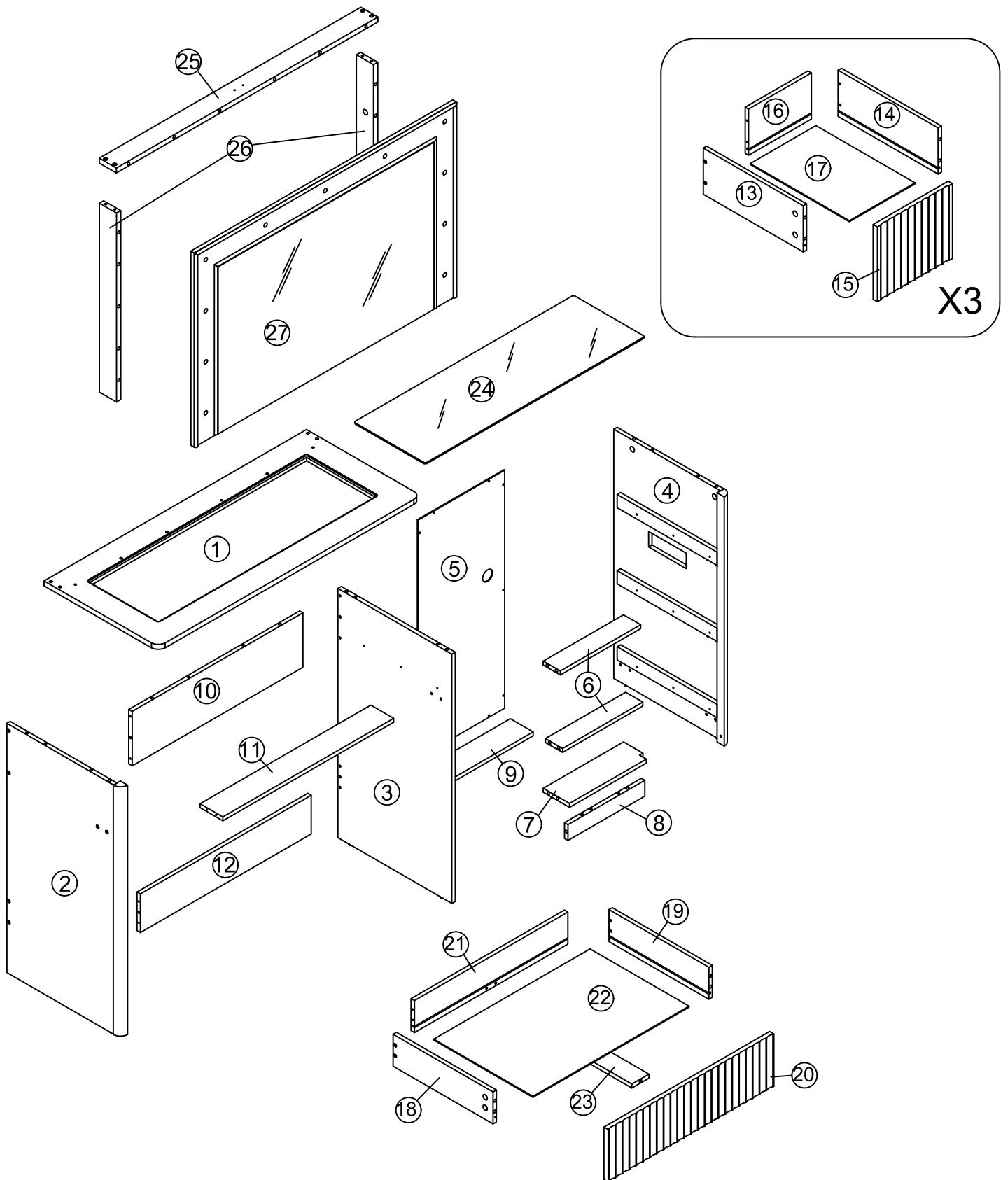


②⑥ (57.3X6X1.5cm) X2




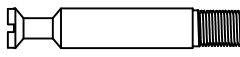
②⑦ (58.9X91.7X1.7cm) X1


# BOARD IDENTIFICATION




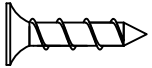
# HARDWARE PART LIST

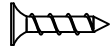
(A)	X53+3
	
φ15*9.5	

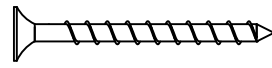
(B)	X53+3
	
φ6.5*35	


(C)	X8+1
	
φ8*30	


(D)	X16+1
	
φ6*30	

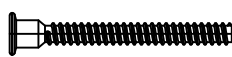
(E)	X56+3
	
φ3.5*12	

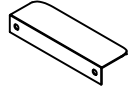
(F)	X2+1
	
φ3*12	

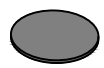
(G)	X34+2
	
φ4*35	


(H)	X10+1
	
φ3*14	

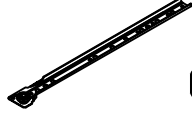
(I)	X2+1
	
φ4*12	

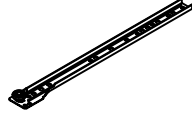
(J)	X8+1
	
φ6.3*50	

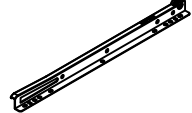
(K)	X4
	
120*38*17	

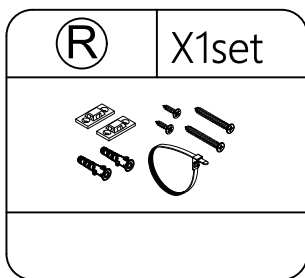
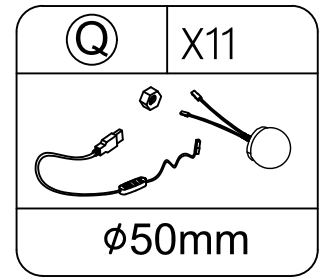
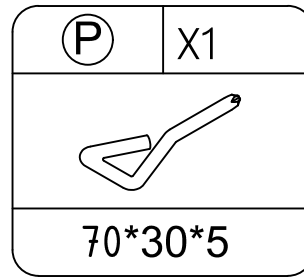
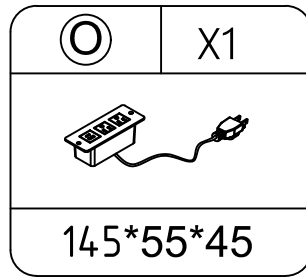
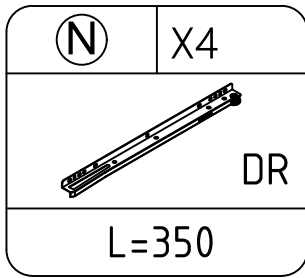
(L)	X16+1
	
φ21	

(M)	X1
	
109*99*38.5	

(N)	X4
 CL	
L=350	

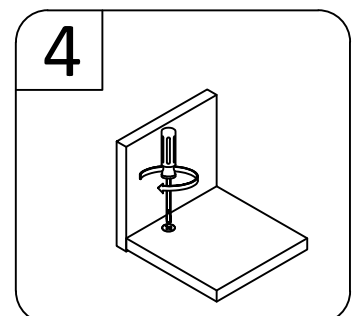
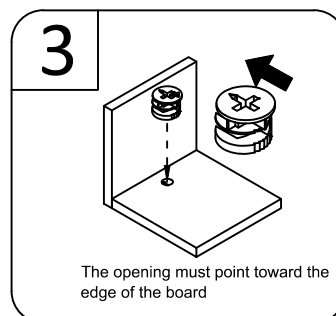
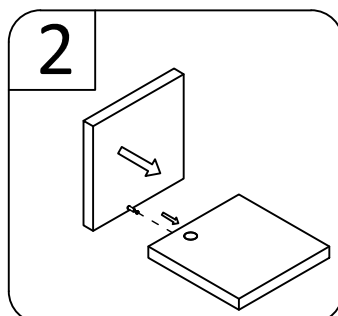
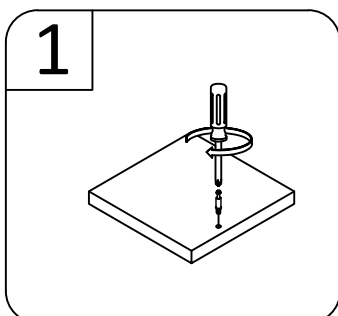
(N)	X4
 CR	
L=350	

(N)	X4
 DL	
L=350	

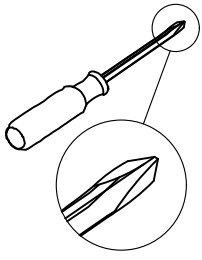


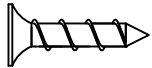
## Cam Lock Fastening System

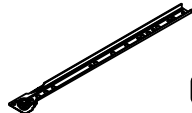
Insert the cam bolt into the hole first, then insert the cam lock and lock it.

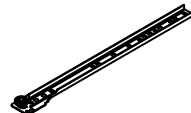


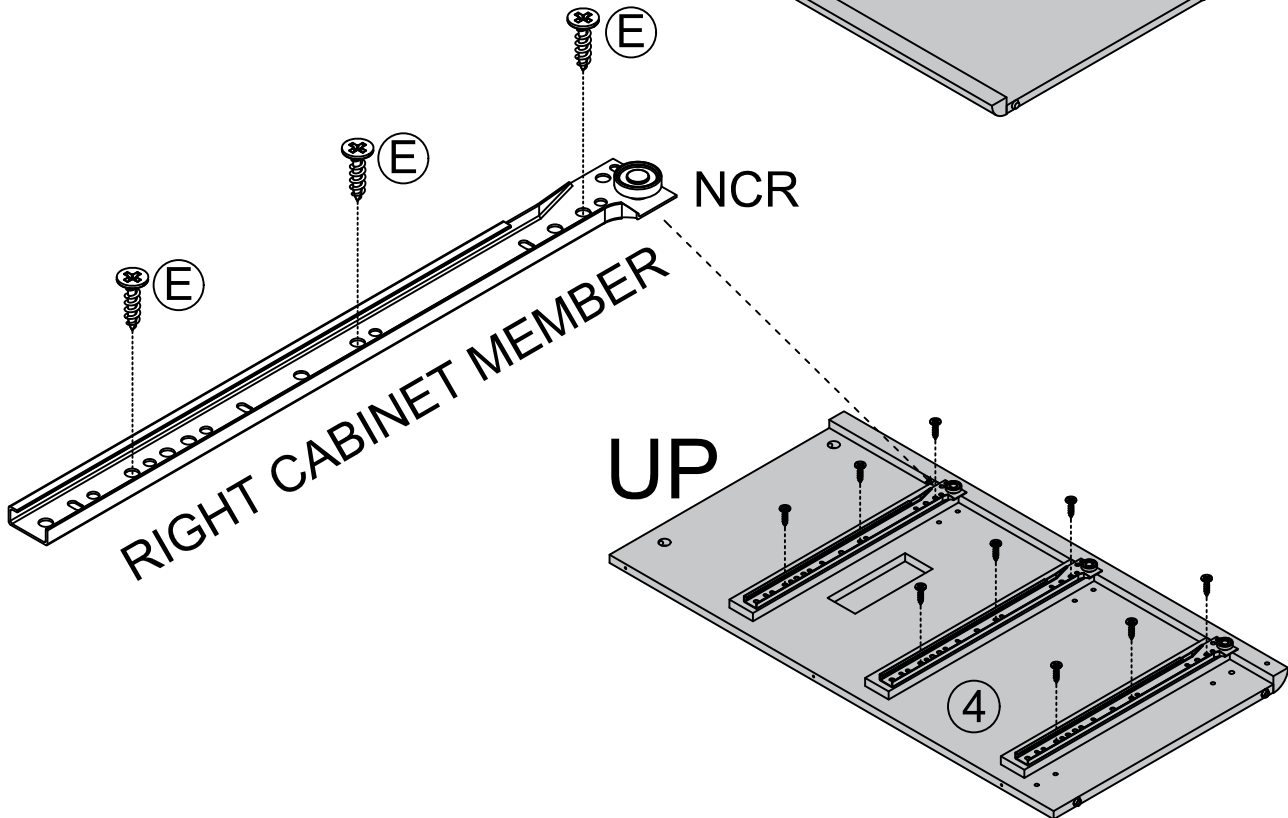
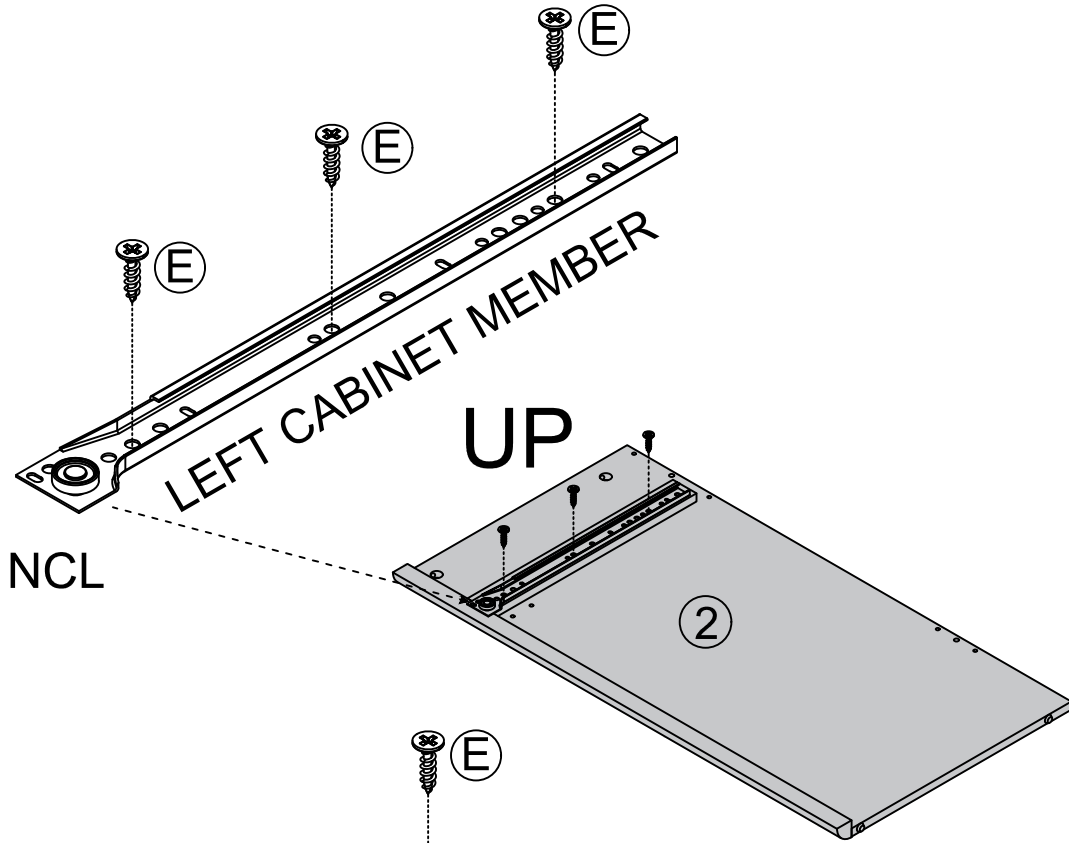
# STEP 1



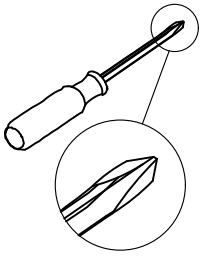
(E)	X12
	
ø3.5*12	

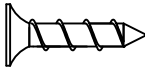
(N)	X1
	
L=350	

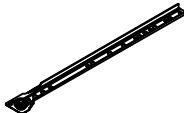
(N)	X3
	
L=350	

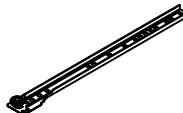


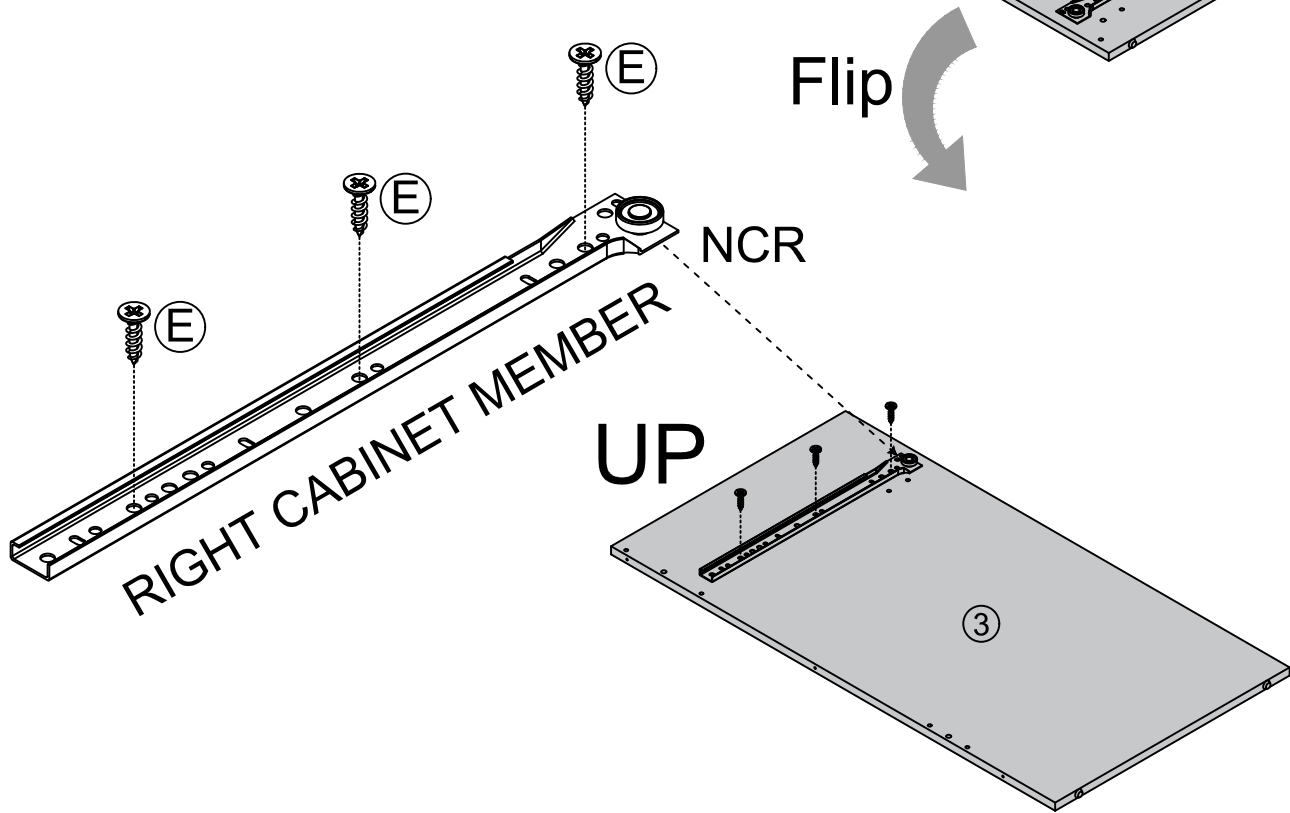
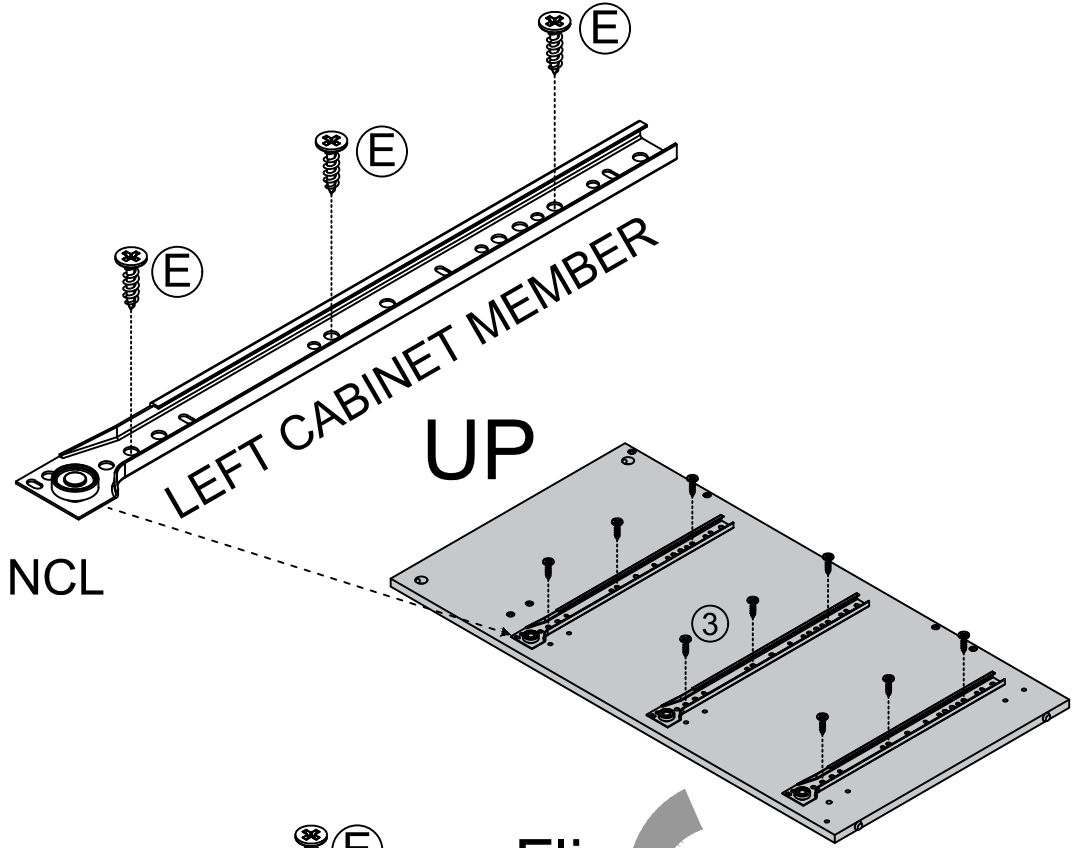
# STEP 2



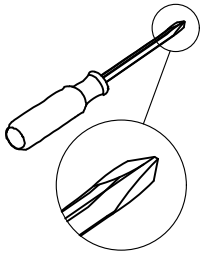
(E)	X12
	
ø3.5*12	

(N)	X3
	
L=350	

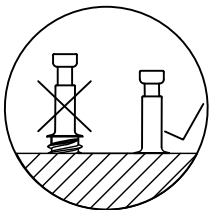
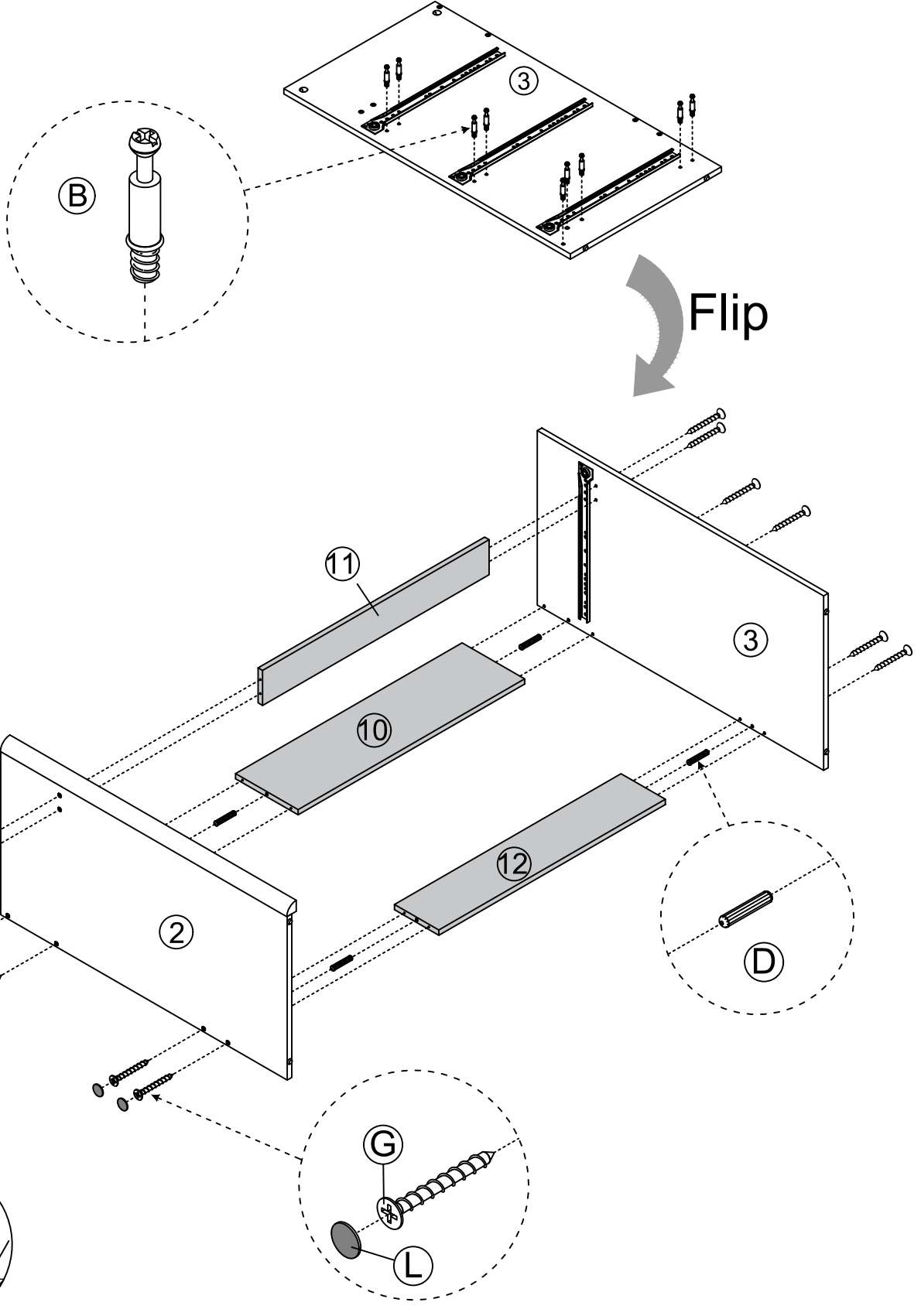
(N)	X1
	
L=350	



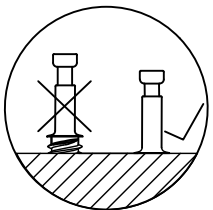
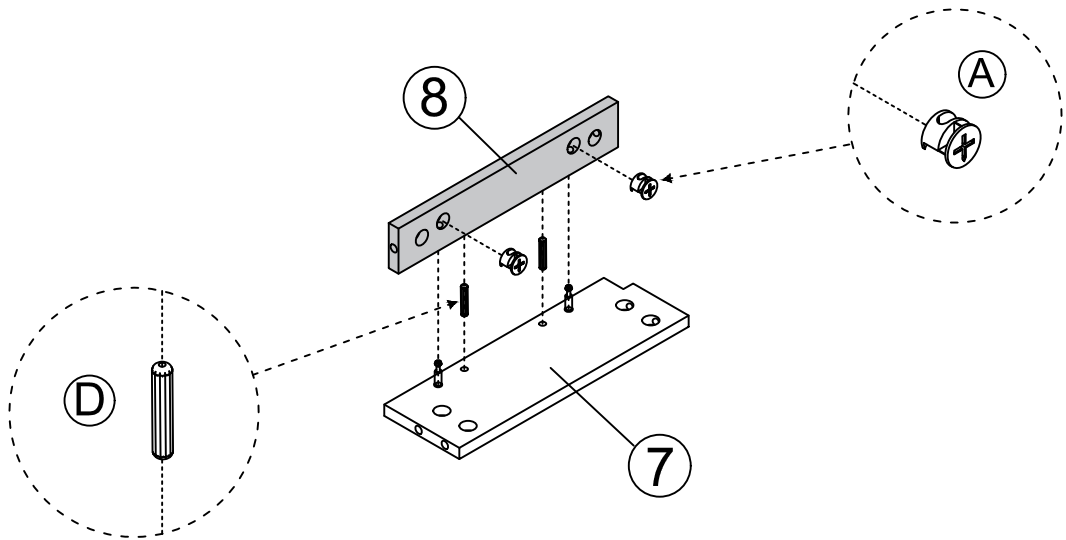
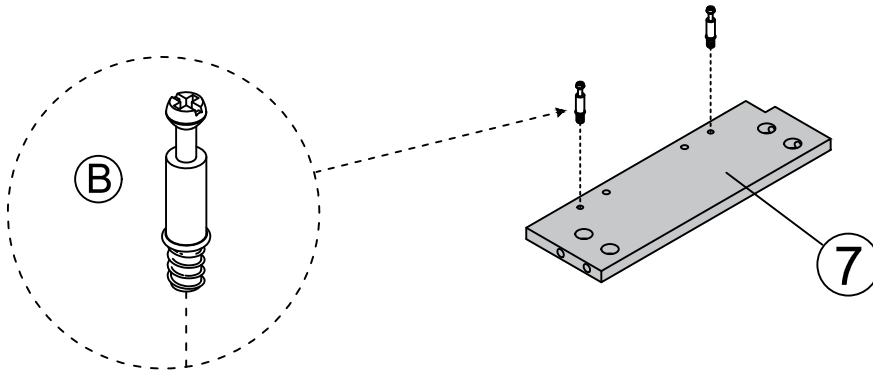
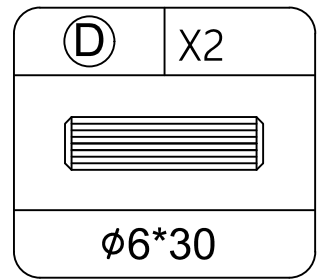
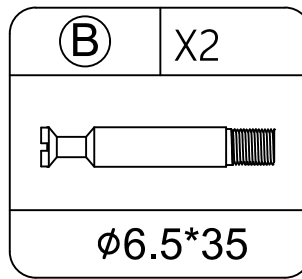
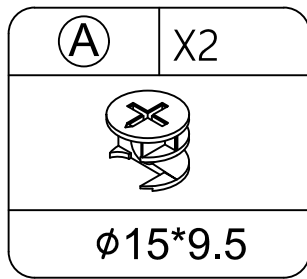
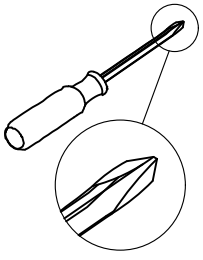
# STEP 3



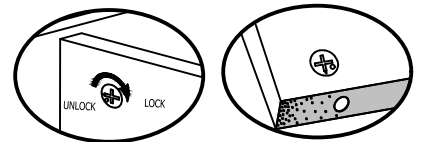
(B)	X9	(D)	X4	(G)	X12	(L)	X6
φ6.5*35		φ6*30		φ4*35		φ21	



# STEP 4

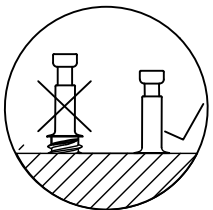
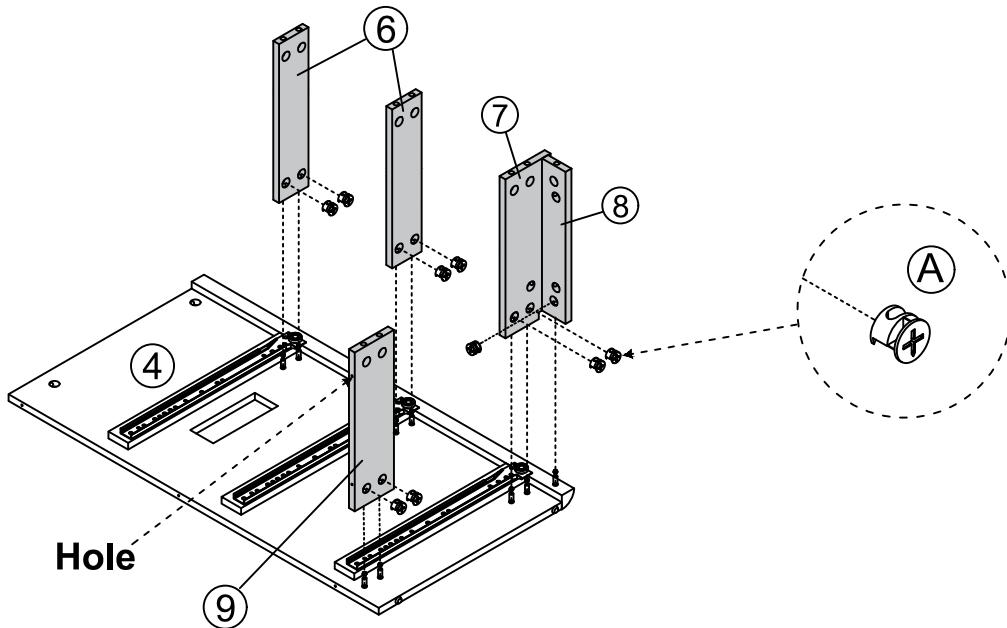
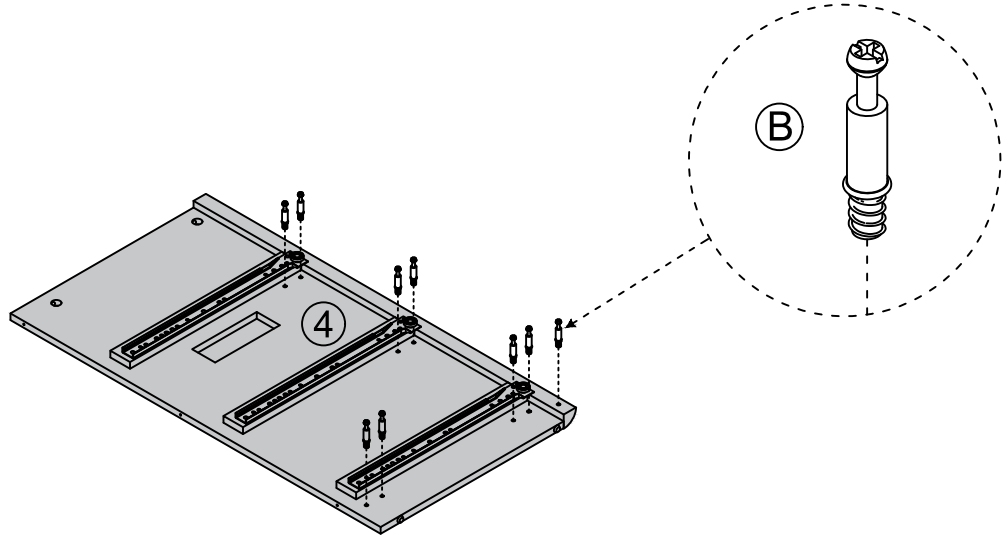
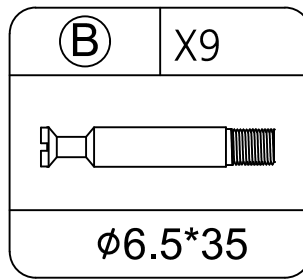
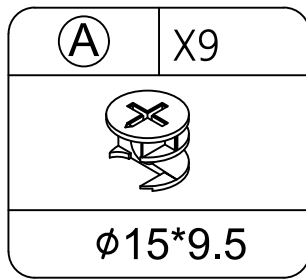
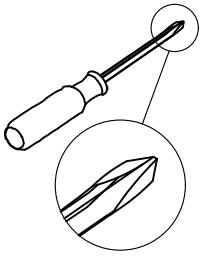


Insert the cam bolt into the hole first, then insert the cam lock and lock it.

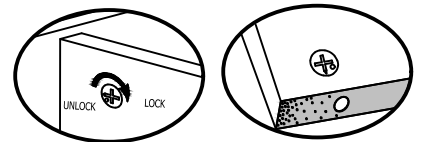


Proper orientation of CAM LOCK

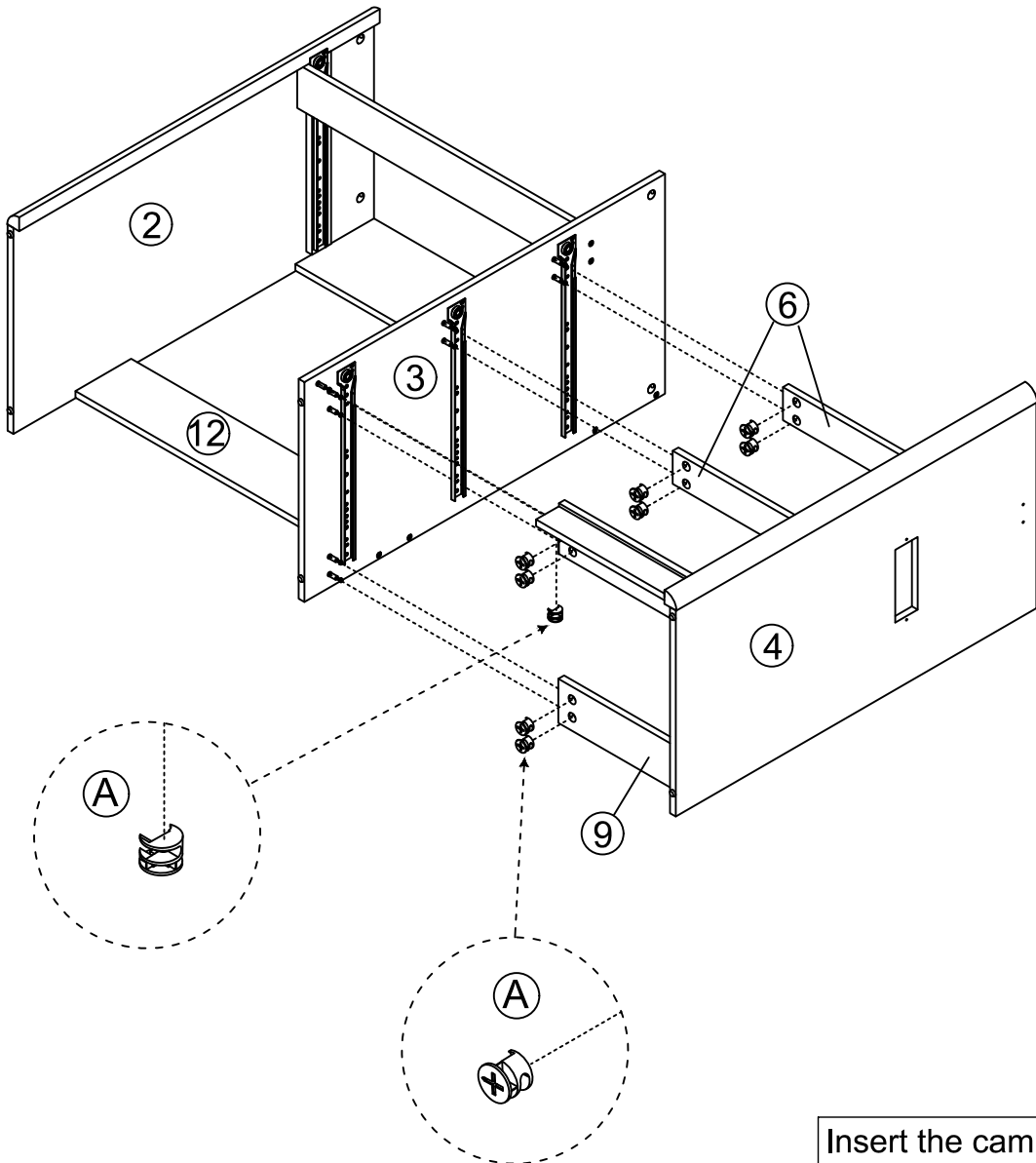
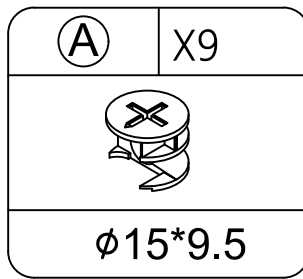
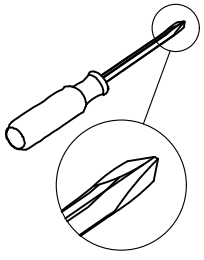
# STEP 5



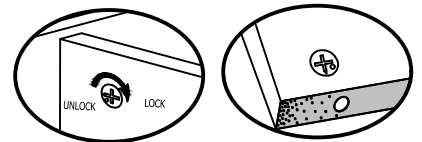
Insert the cam bolt into the hole first, then insert the cam lock and lock it.



# STEP 6

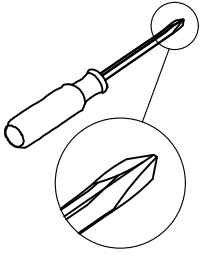



Insert the cam bolt into the hole first, then insert the cam lock and lock it.

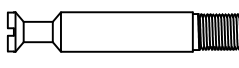



Proper orientation of CAM LOCK

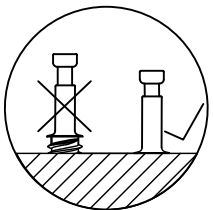
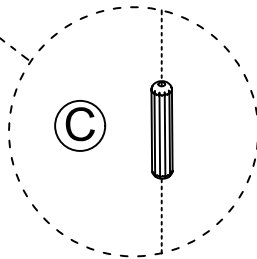
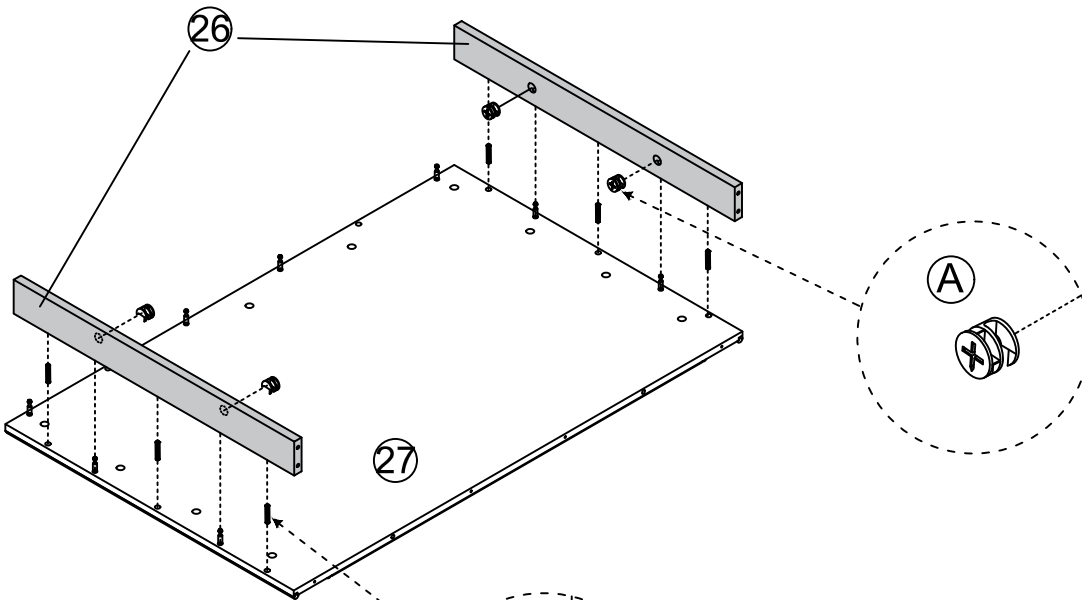
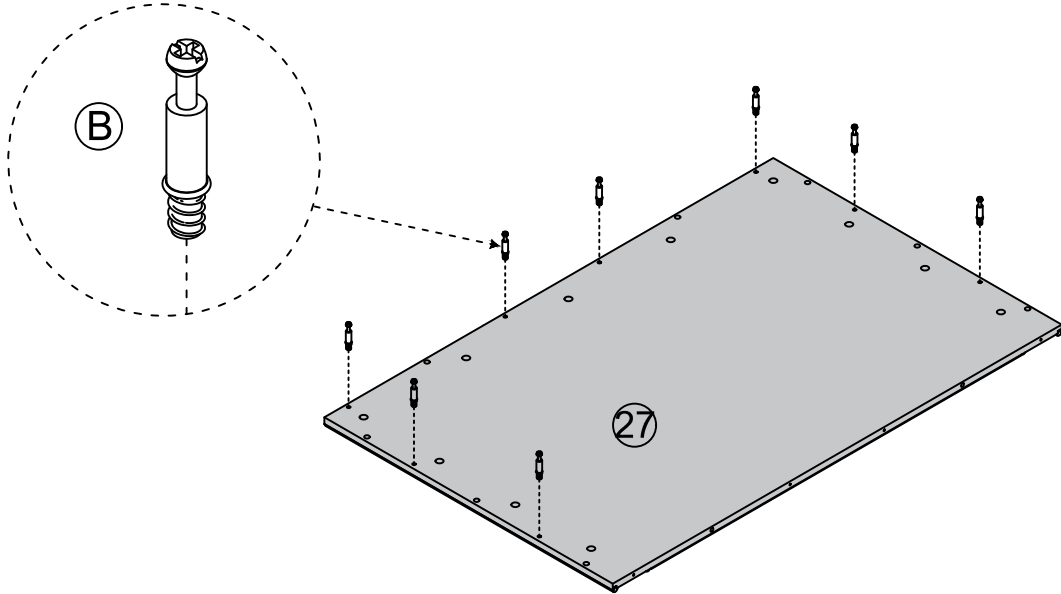
# STEP 7



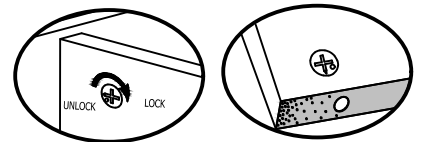
(A)	X4
	
$\phi 15*9.5$	

(B)	X8
	
$\phi 6.5*35$	

(C)	X6
	
$\phi 8*30$	

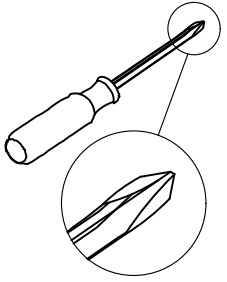


Insert the cam bolt into the hole first, then insert the cam lock and lock it.



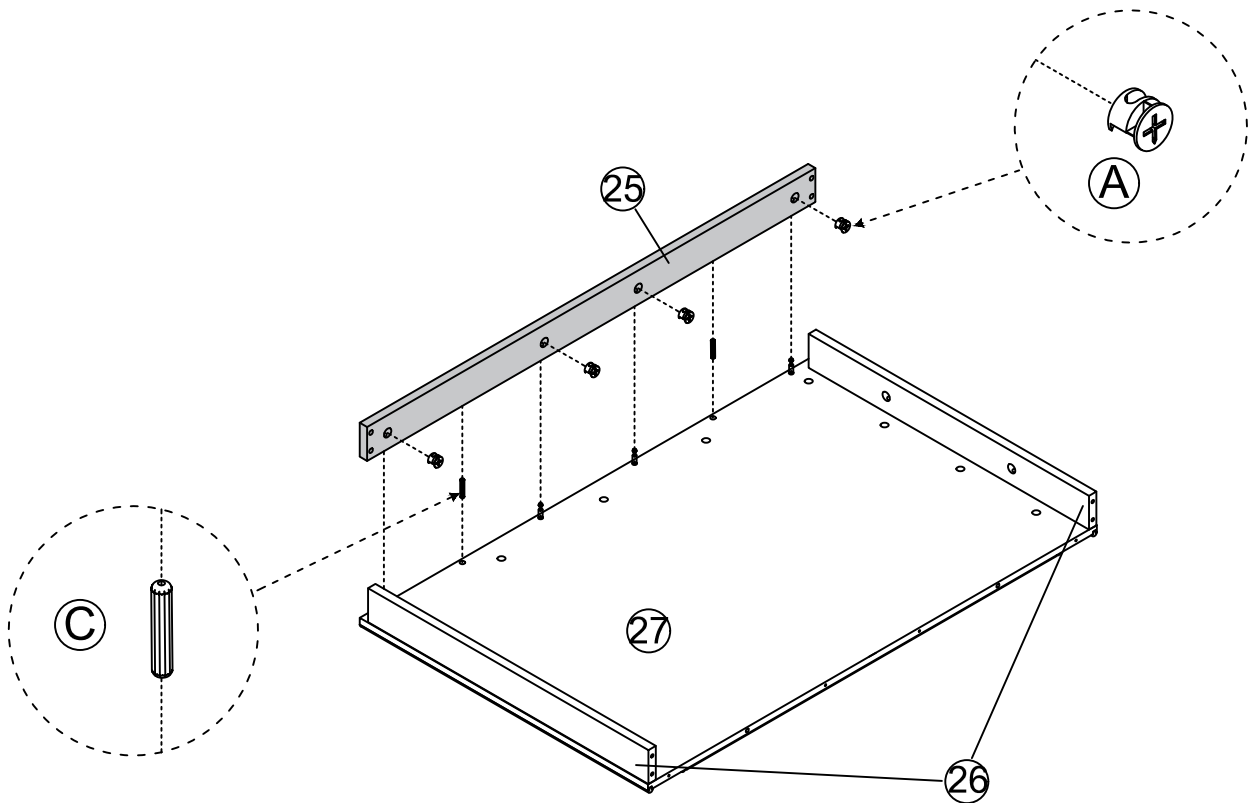
Proper orientation of CAM LOCK

# STEP 8

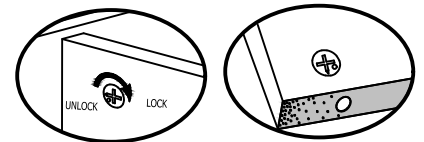


(A)	X4
A circular cam lock with a keyhole and a handle.	
ø15*9.5	

(C)	X2
A long, cylindrical cam bolt with a hexagonal head.	
ø8*30	

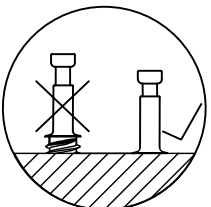
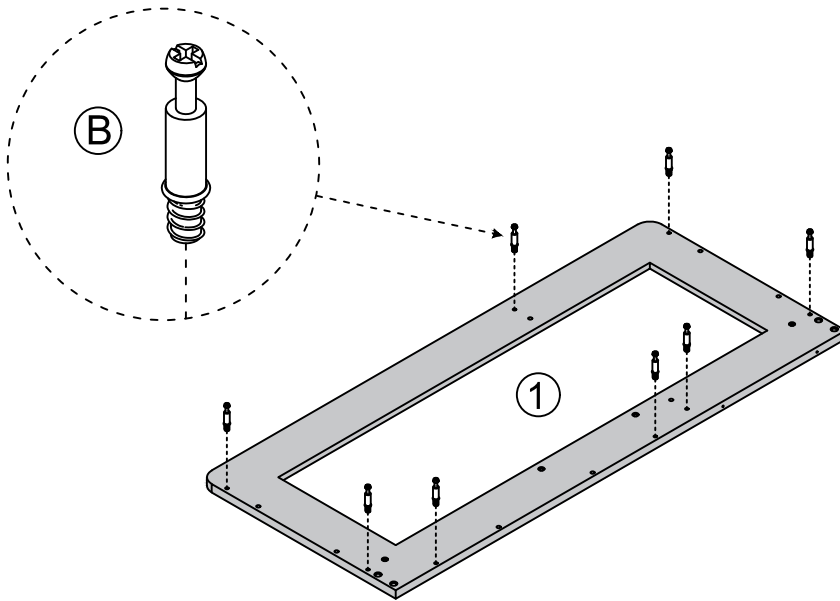
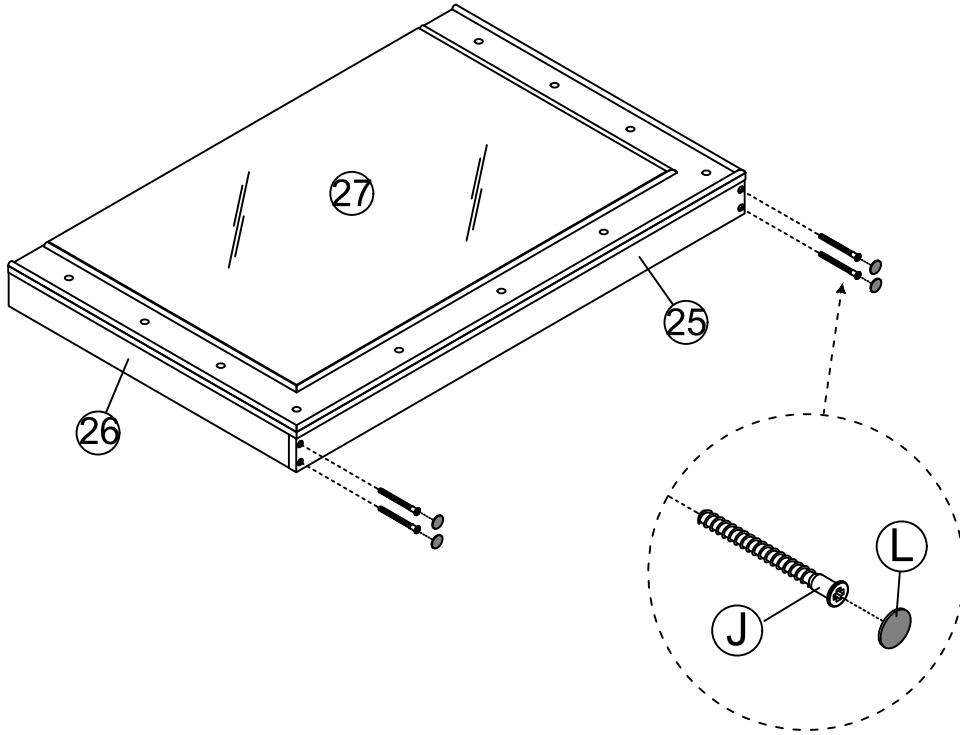
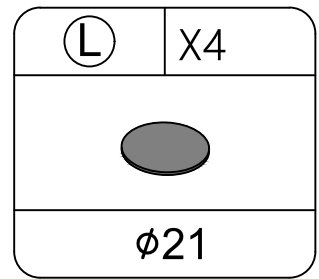
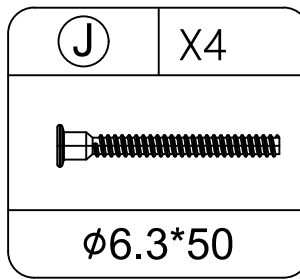
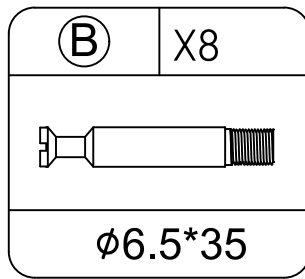
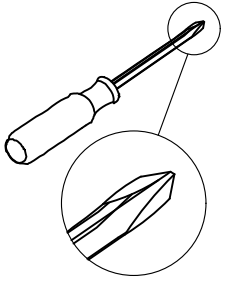


Insert the cam bolt into the hole first, then insert the cam lock and lock it.

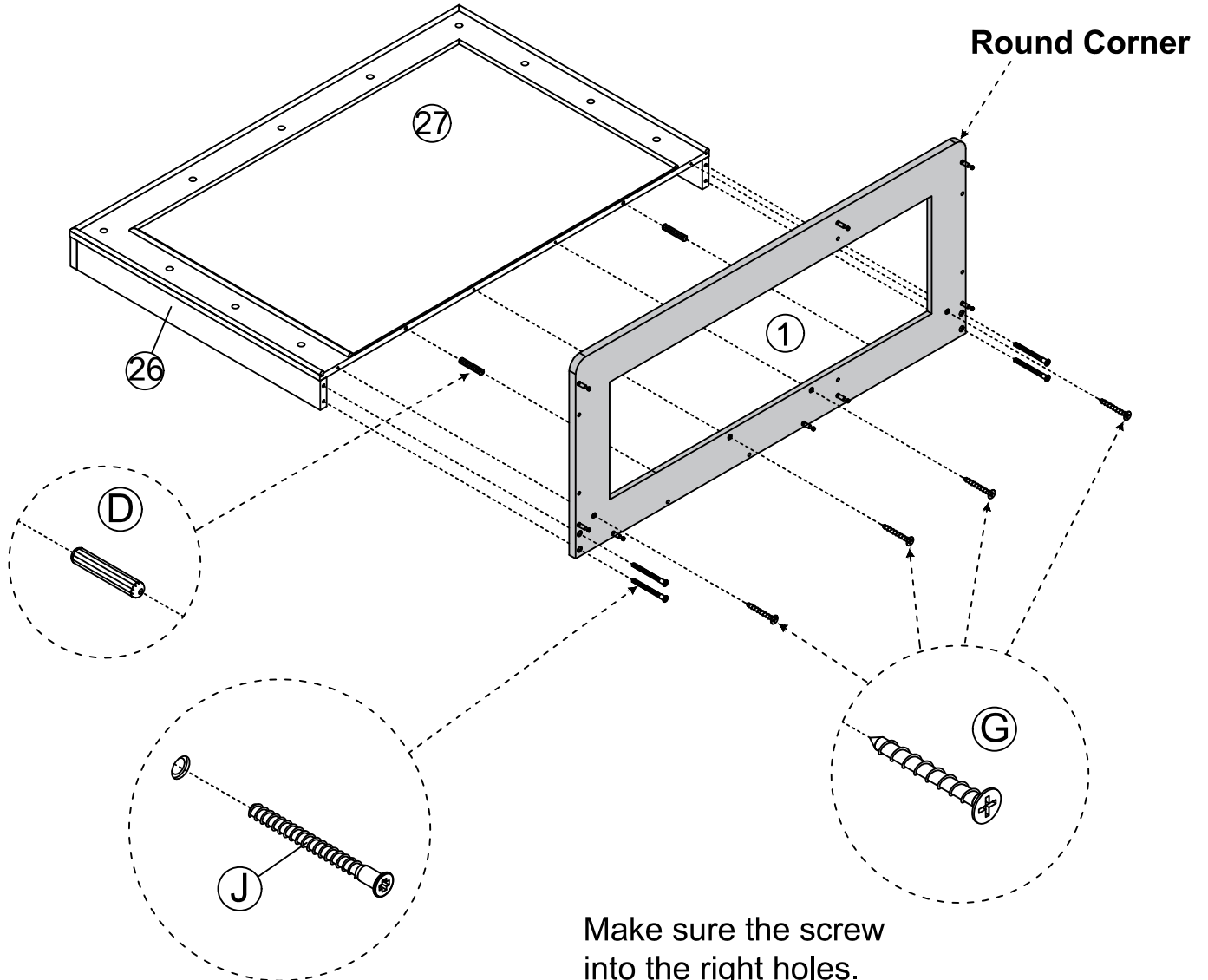
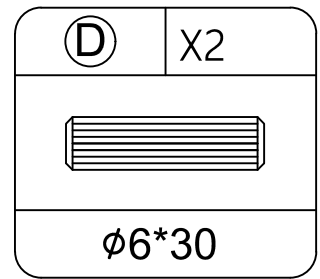
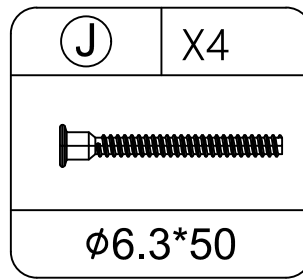
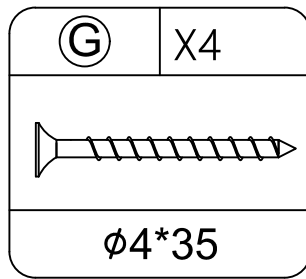
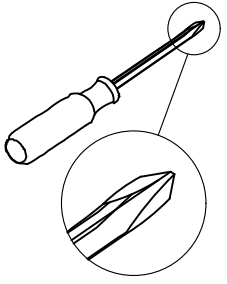


Proper orientation of CAM LOCK

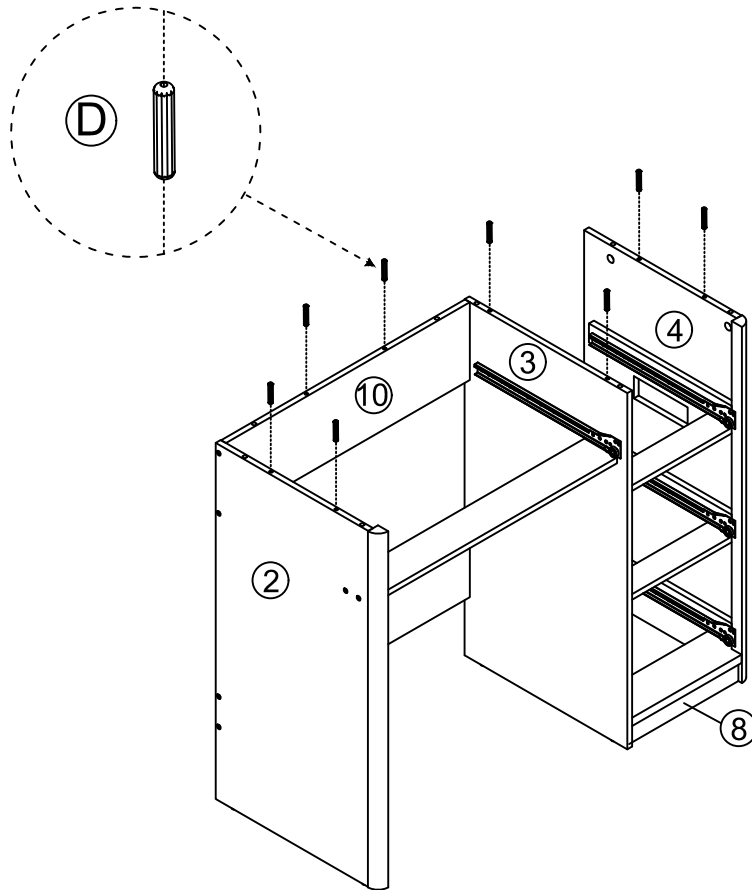
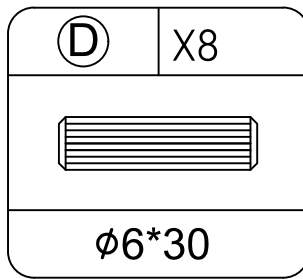
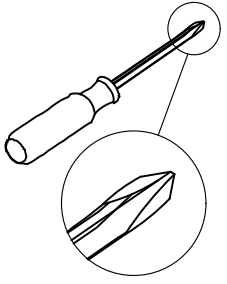
# STEP 9



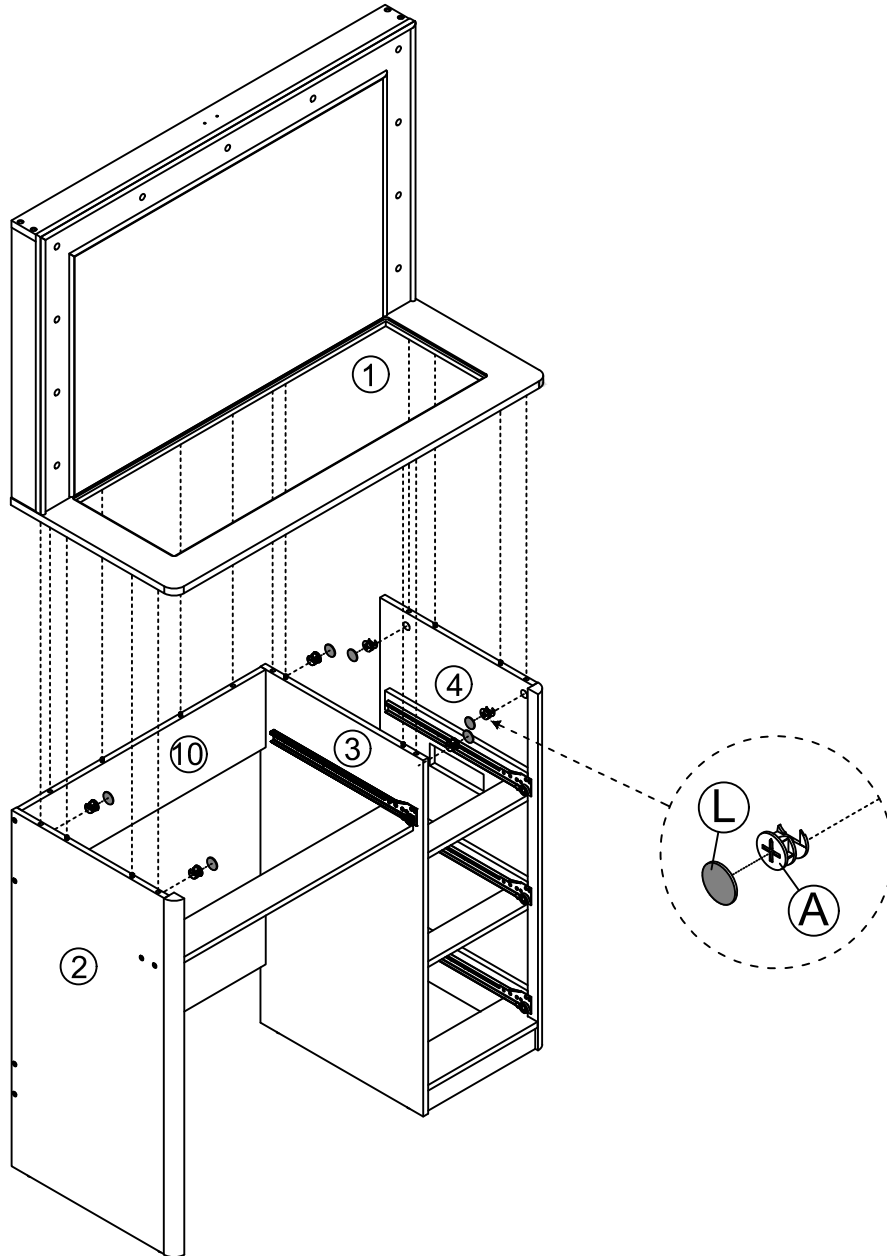
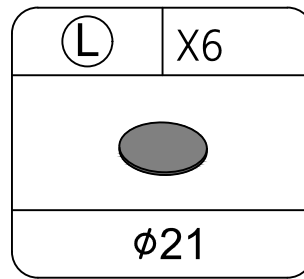
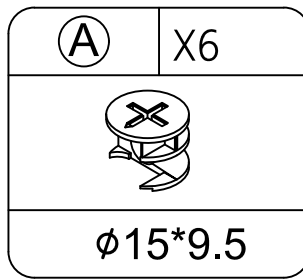
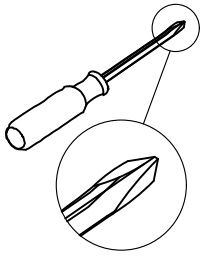
# STEP 10



# STEP 11

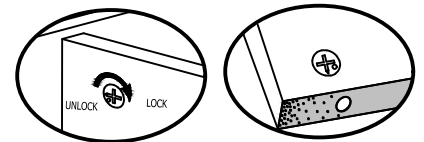


# STEP 12



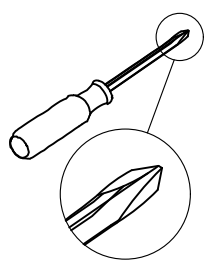
For this step, you need one helper.

Insert the cam bolt into the hole first, then insert the cam lock and lock it.



Proper orientation of CAM LOCK

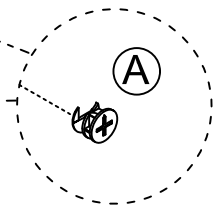
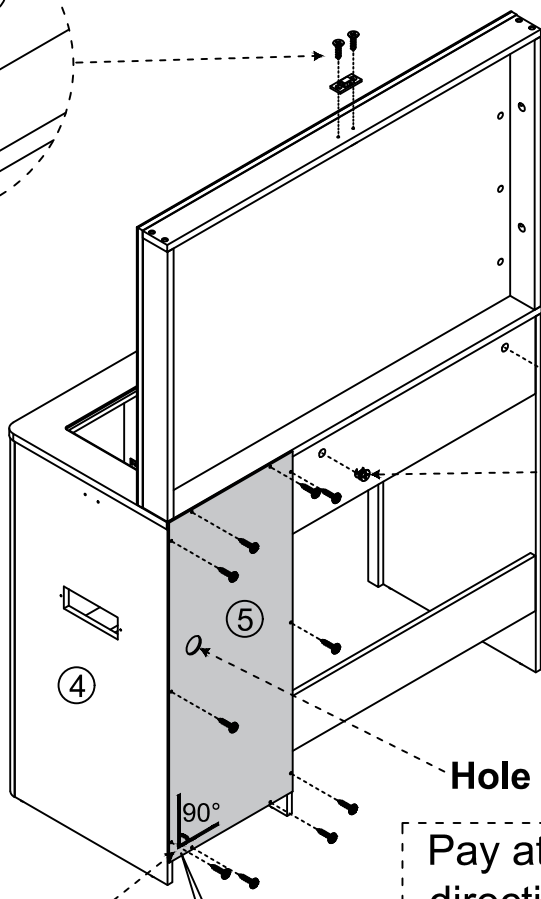
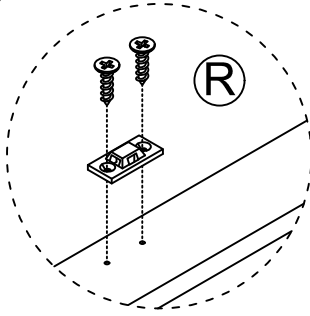
# STEP 13



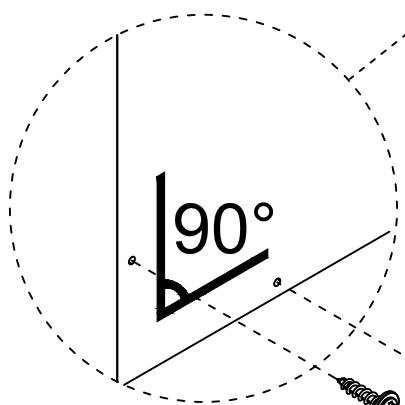
(A)	X2
$\phi 15 * 9.5$	

(H)	X10
$\phi 3 * 14$	

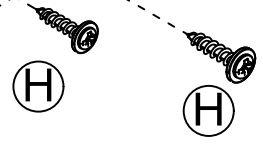
(R)	X1set



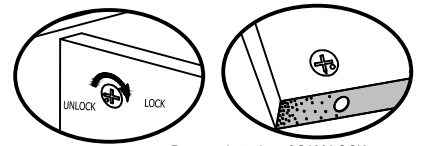
**Hole**  
Pay attention to the installation direction of this hole.



Before attaching the back panel, be sure that the unit is at 90°.

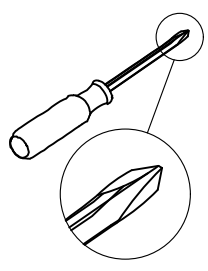






Insert the cam bolt into the hole first, then insert the cam lock and lock it.

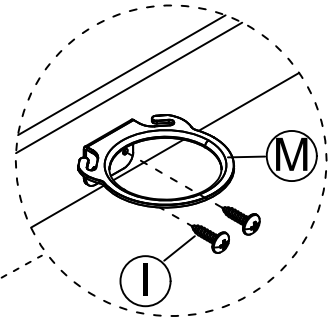
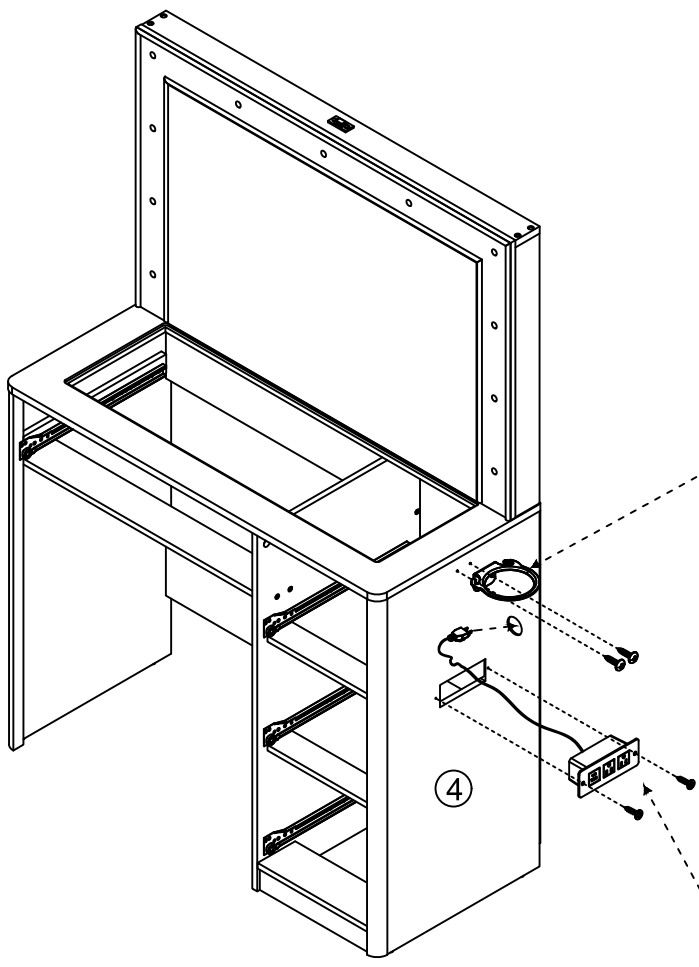


Proper orientation of CAM LOCK

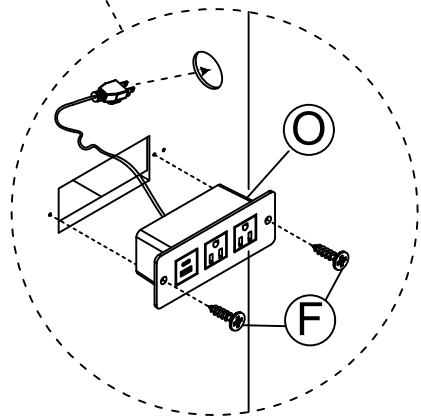
# STEP 14



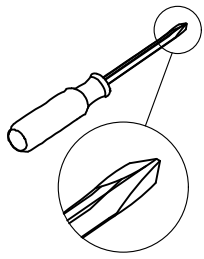
(F) X2	(I) X2	(O) X1	(M) X1
			
ø3*12	ø4*12	145*55*45	109*99*38.5



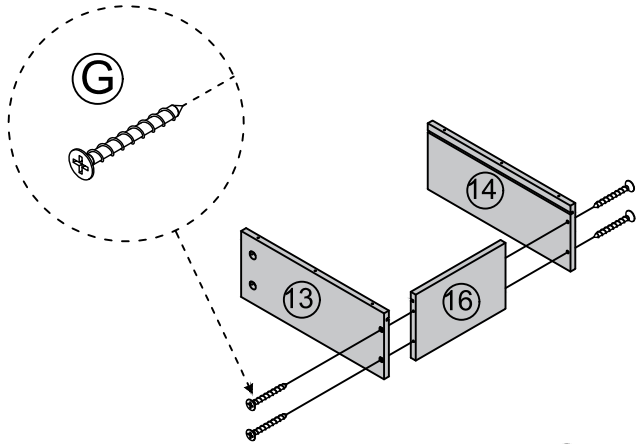
The plug penetrates the reserved hole in the backboard.



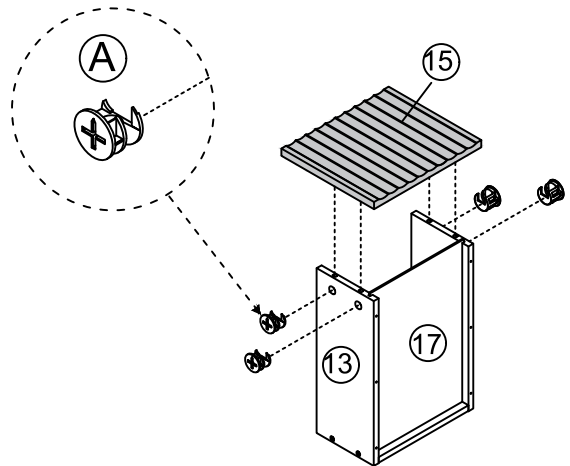
# STEP 15



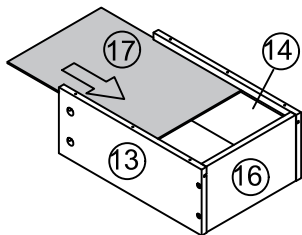
(A)	X12	(B)	X12	(E)	X6	(G)	X12	
$\phi 15*9.5$		$\phi 6.5*35$		$\phi 3.5*12$		$\phi 4*35$		
							(K)	X3
							$120*38*17$	



Step 1



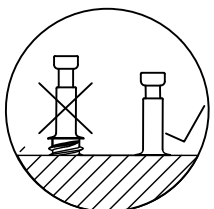
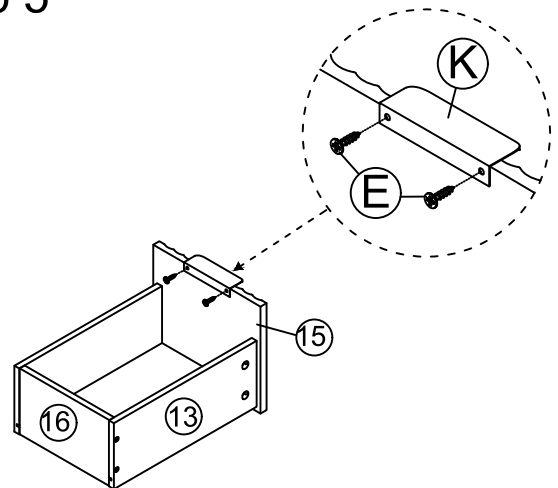
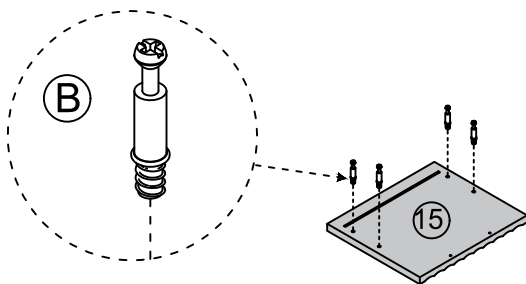
Step 2



Step 3

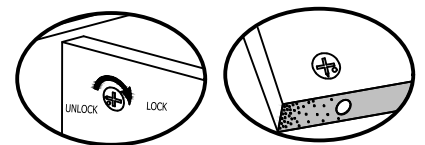
Step 4

Step 5



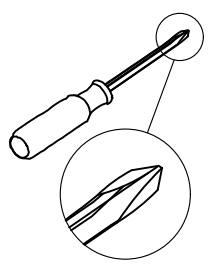
# X3

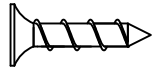
Insert the cam bolt into the hole first, then insert the cam lock and lock it.

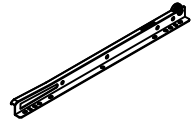


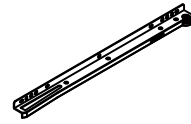
Proper orientation of CAM LOCK

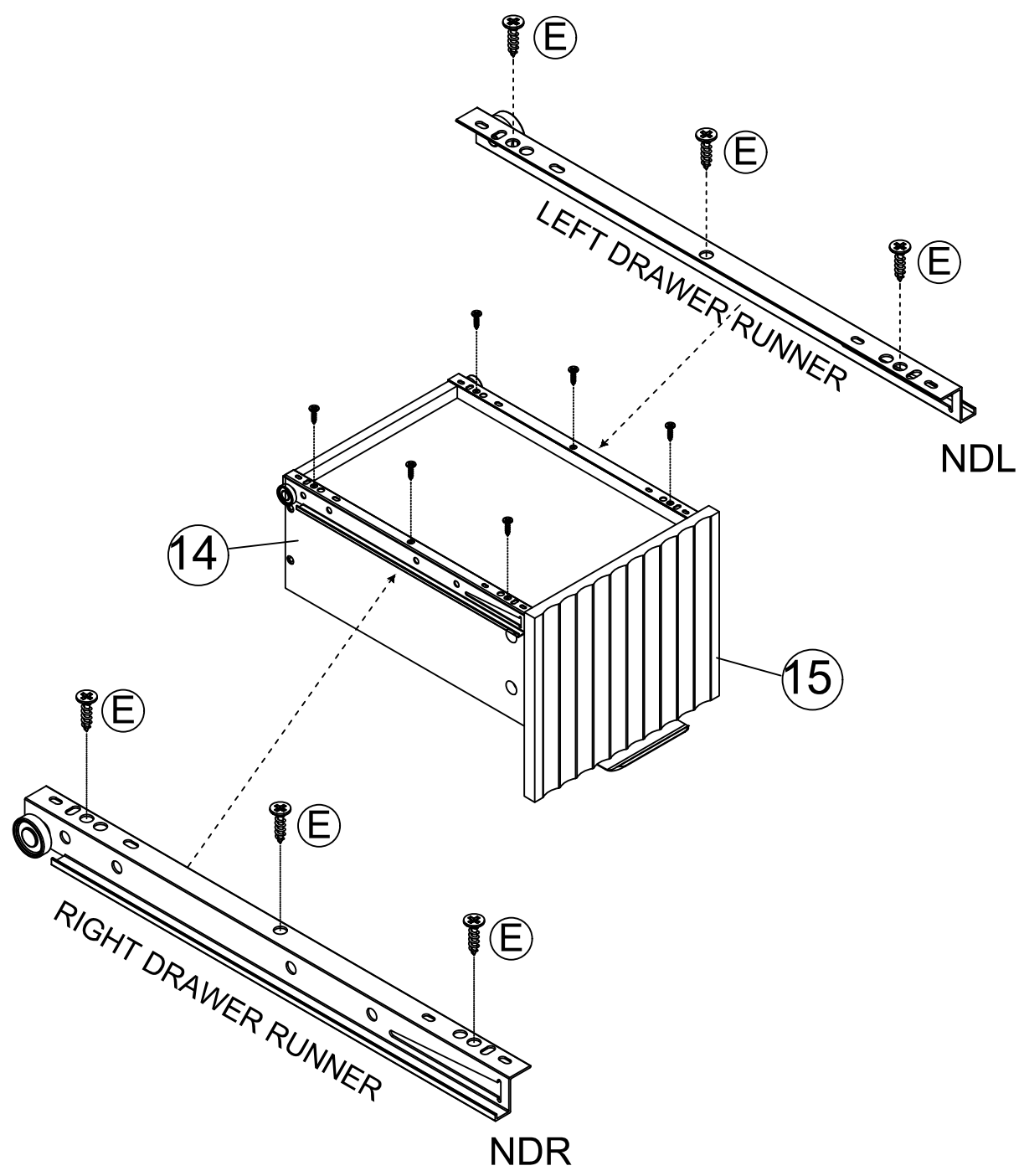
# STEP 16



(E)	X18
	
$\phi 3.5 \times 12$	

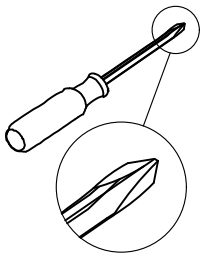
(N)	X3
	DL
L=350	

(N)	X3
	DR
L=350	



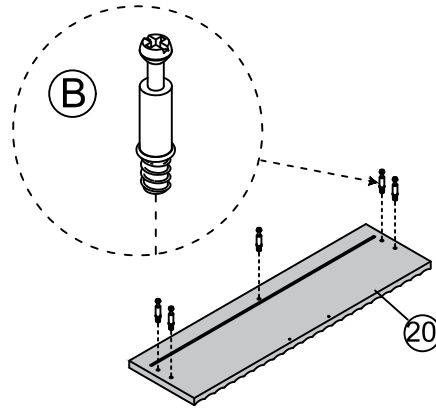
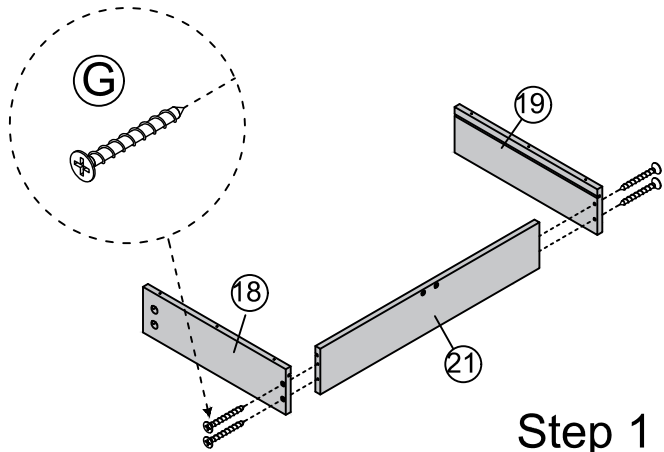
# X3

# STEP 17

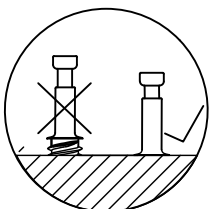
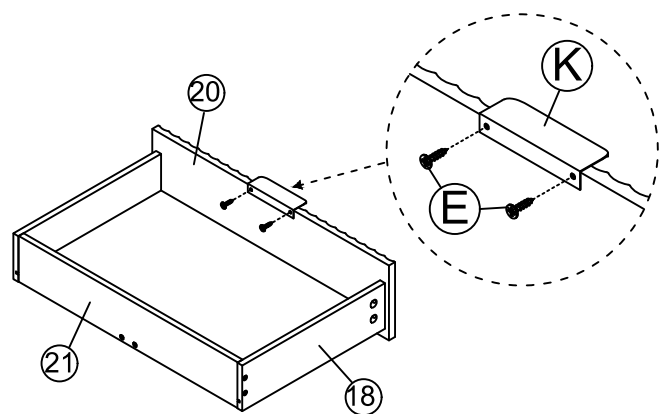
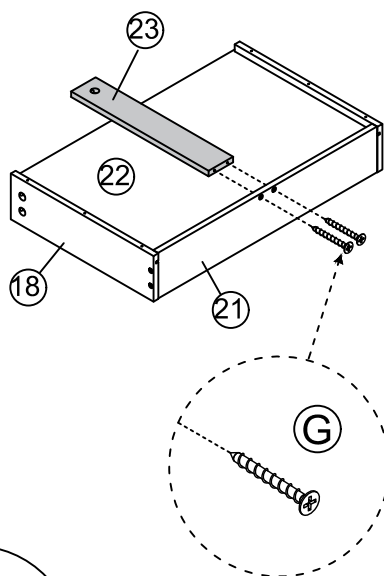
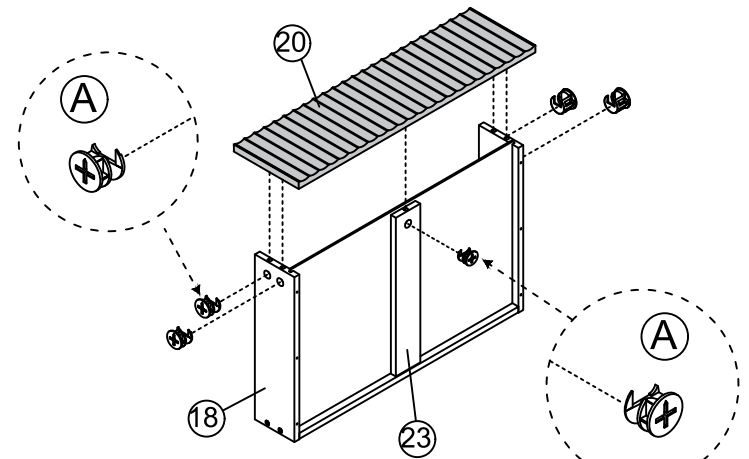
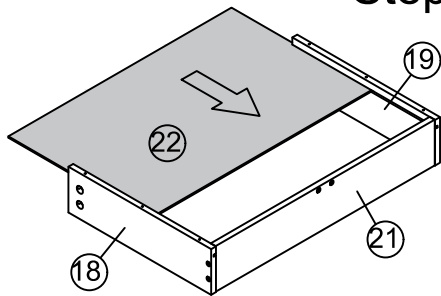


(A)	X5	(B)	X5	(E)	X2	(G)	X6
$\phi 15 \times 9.5$		$\phi 6.5 \times 35$		$\phi 3.5 \times 12$		$\phi 4 \times 35$	

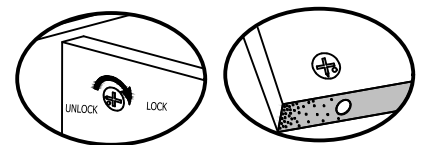
(K)	X1
$120 \times 38 \times 17$	



Step 1  
Step 2

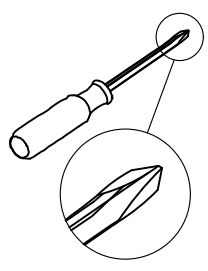


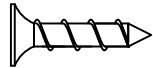
Insert the cam bolt into the hole first, then insert the cam lock and lock it.

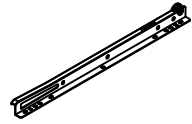


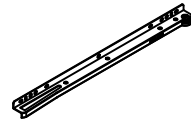
Proper orientation of CAM LOCK

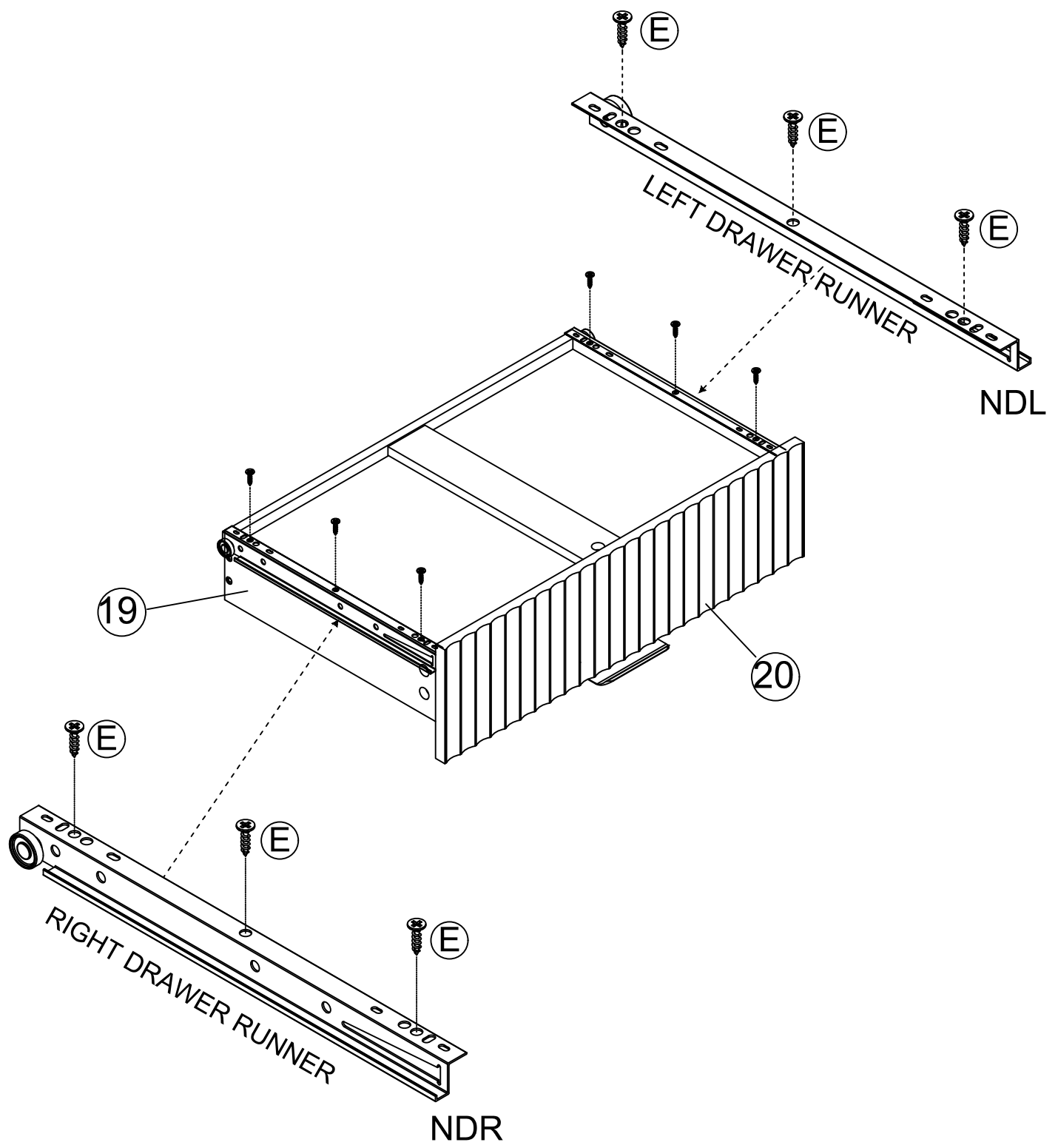
# STEP 18



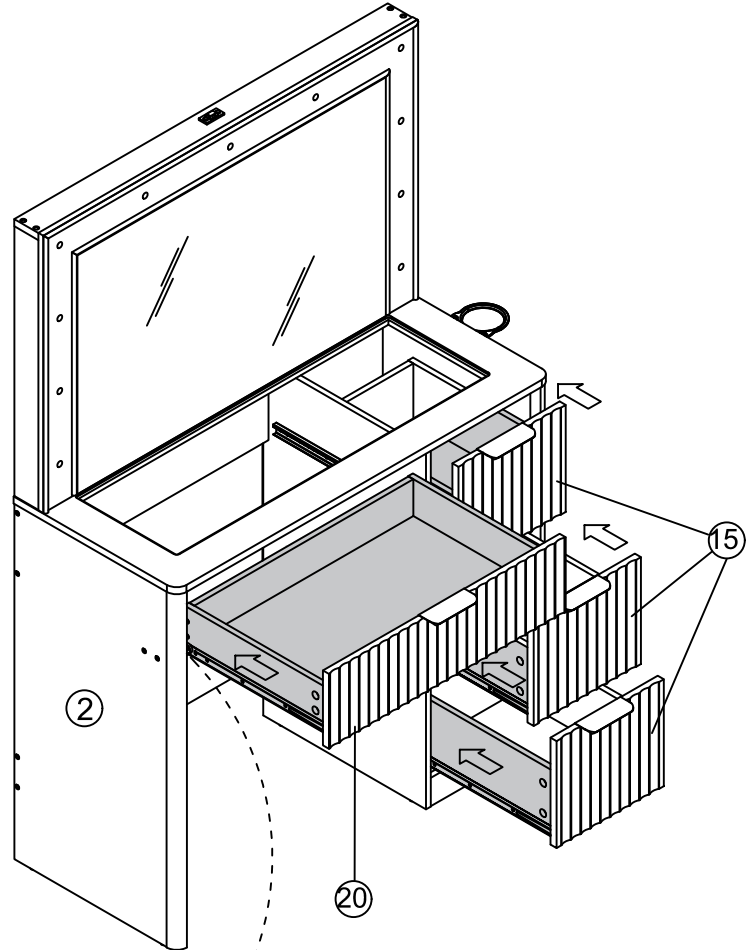
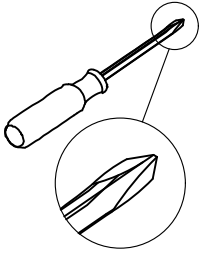
(E)	X6
	
$\phi 3.5 \times 12$	

(N)	X1
	
DL L=350	

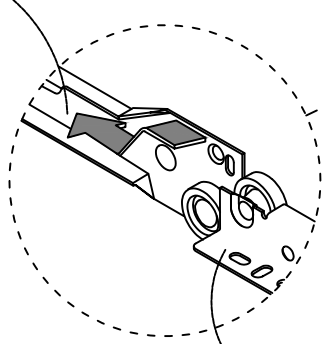
(N)	X1
	
DR L=350	



# STEP 19

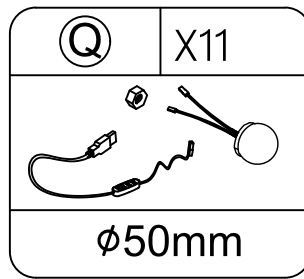
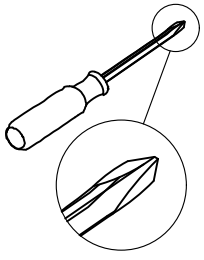


Cabinet Slide

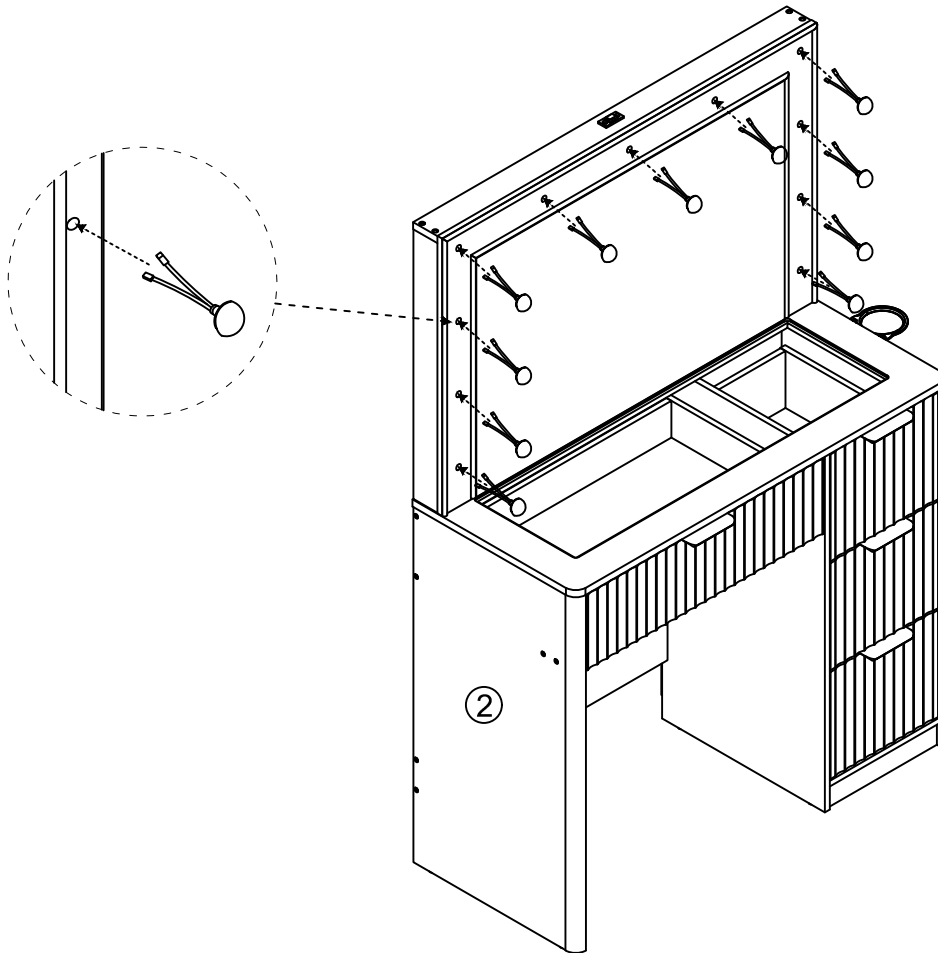


Drawer Slide

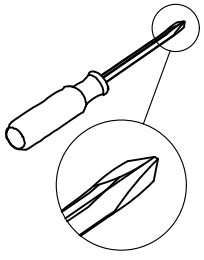
# STEP 20



Pass the bulb wire through the pre punched plate.



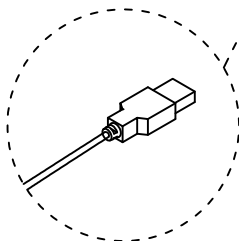
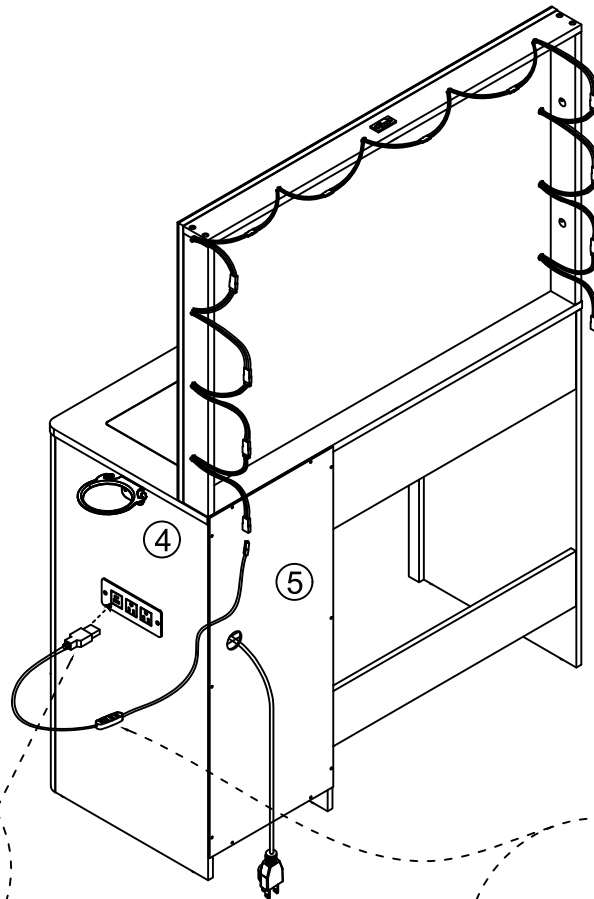
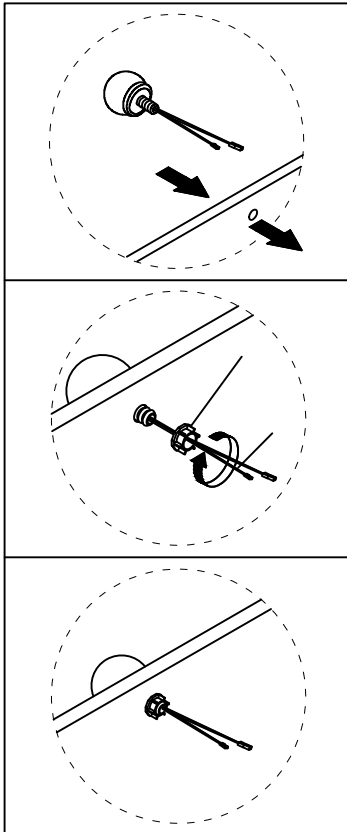
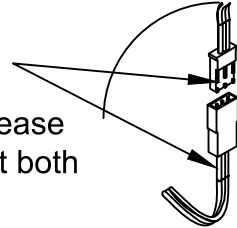
# STEP 21



Pass the bulb wire through the pre punched plate,Fix It,and then connect the adjacent bulbs successively through the wire head slot on the opposite side (corresponding to the line of the same color) .

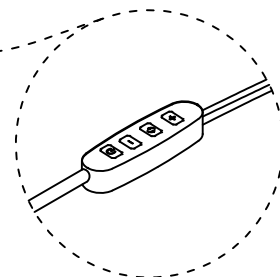
same color correspond

When connecting the interface,please note that the colors of the wires at both ends correspond one by one.



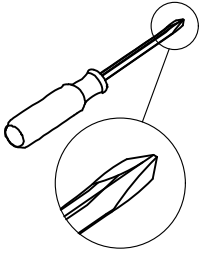
**USB**

The USB plug is plugged into the socket of the Q Board.

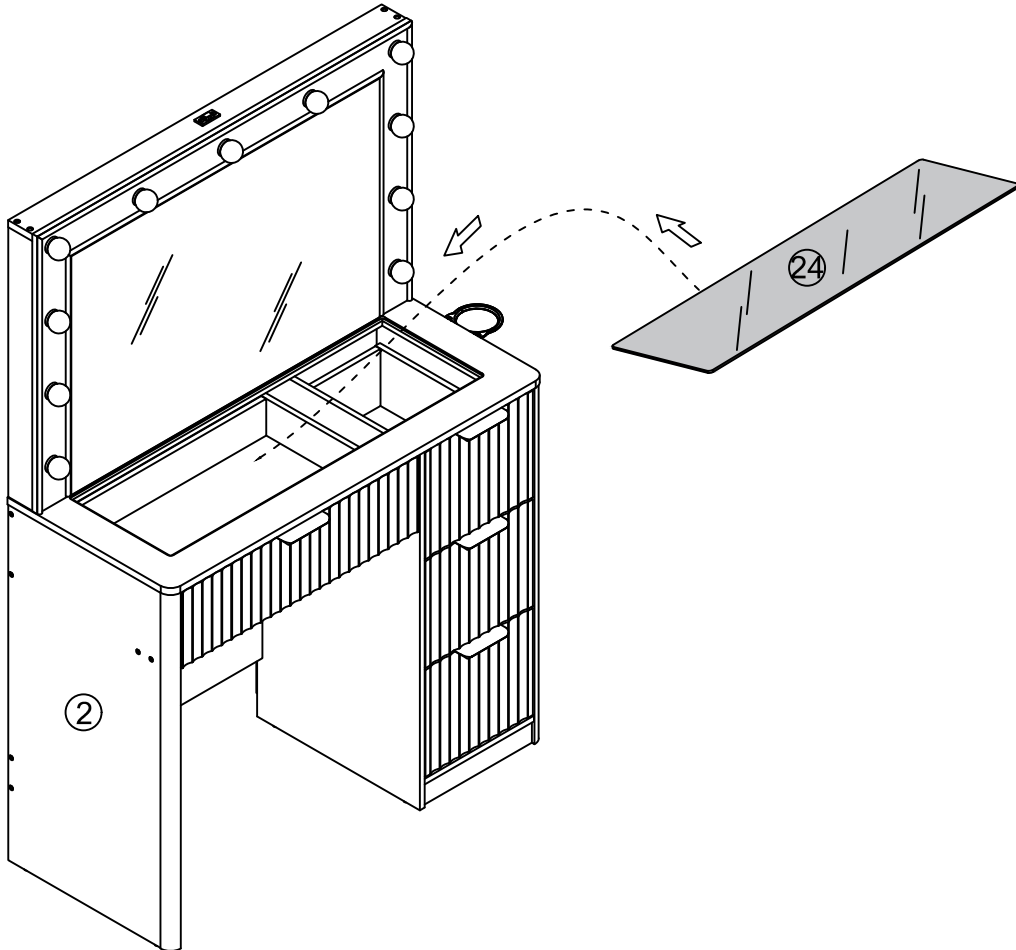


**Switch regulator**

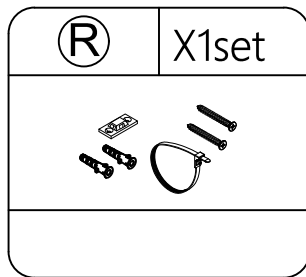
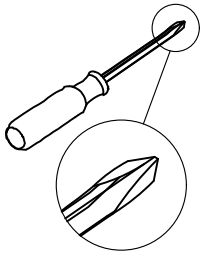
# STEP 22



Put the Glass "24" in the slot reserved for the panel;  
"24" must be sloped into the interior of and then flat.

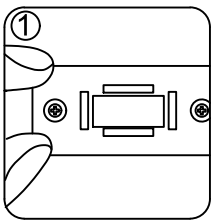


# STEP 23

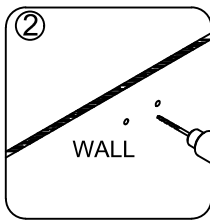


⚠ WARNING	
	<b>Children have died from furniture tipover. To reduce the risk of furniture tipover:</b>
	<ul style="list-style-type: none"><li>● ALWAYS install tipover restraint provided.</li><li>● NEVER put a TV on this product.</li><li>● NEVER allow children to stand, climb or hang on drawers, doors, or shelves.</li><li>● NEVER open more than one drawer at a time.</li><li>● Place heaviest items in the lowest drawers.</li></ul>
<i>This is a permanent label. Do not remove !</i>	

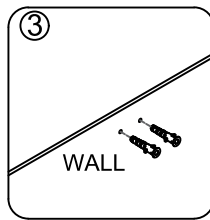
## Install the tipping restraint hardware



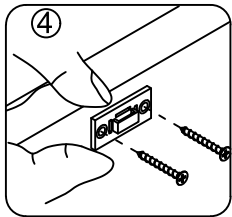
1. make mark on the wall



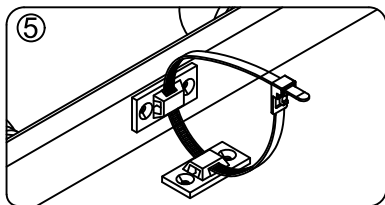
2. drill two Ø6 holes on the wall



3. put two anchors in the holes



4. fix the device on the wall by the long screws



5. Push the cabinet close to the wall so that the two bases are close to each other, and then nylon tie to tighten it.

