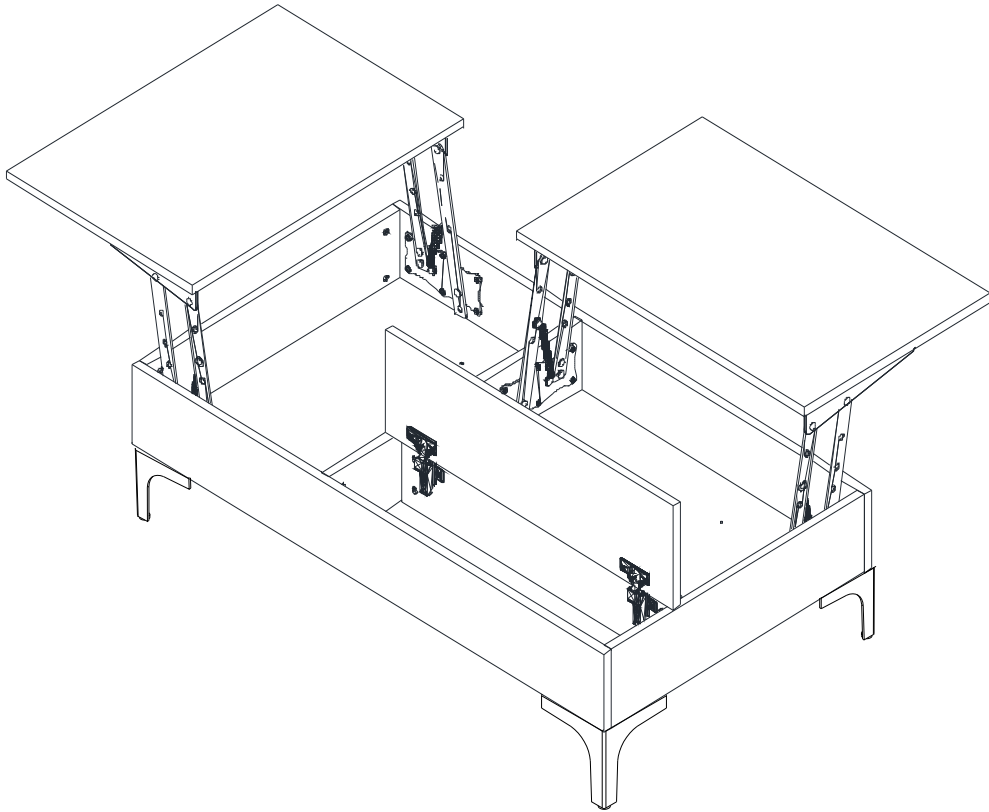
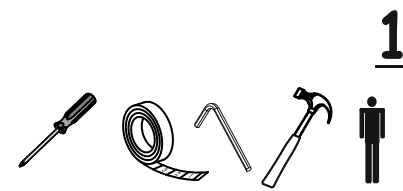


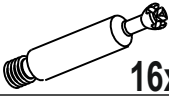
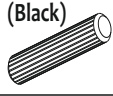






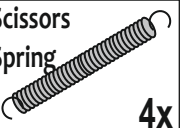

INSTALLATION AND OPERATIONAL MANUAL

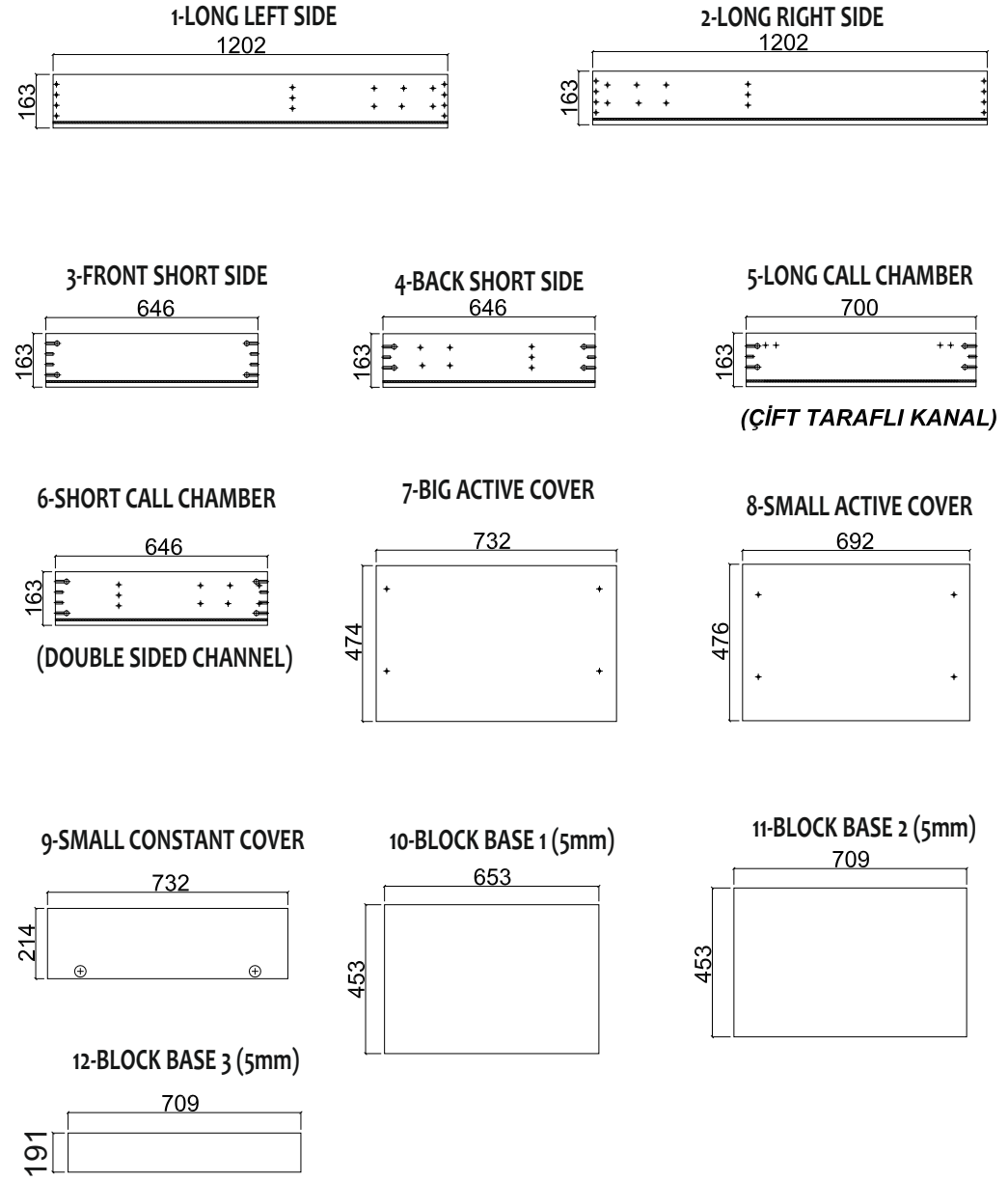
YOU CAN SUPPORT YOURSELF WITH THE FOLLOWING COMMUNICATION INFORMATION ON PROBLEMS WITH THE PRODUCTION OF THE PRODUCT.



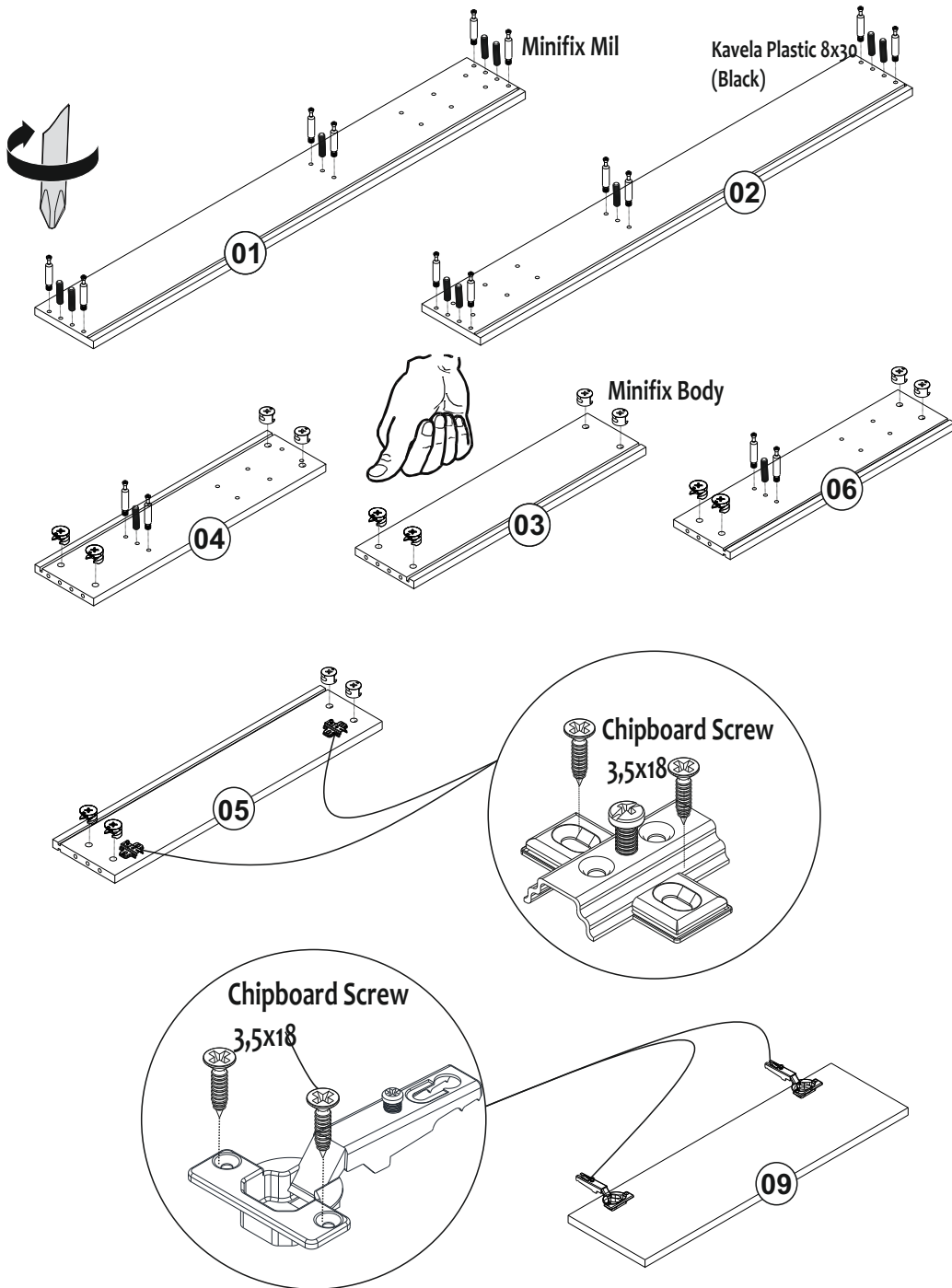
Minifix Body



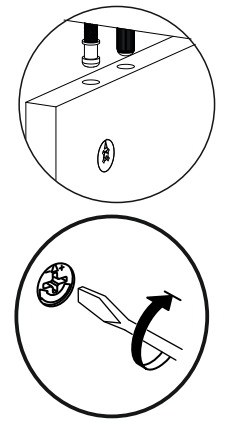
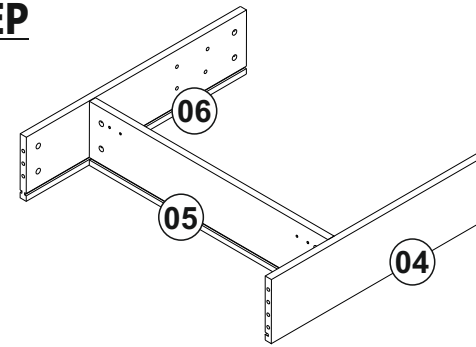
Minifix Mil  16x	Kavela Plastic 8x30 (Black)  12x	Minifix Stopper  16x	M6X10 YSB  30x	Hinge Half camel + Base  2x
Chipboard Screw 3,5x18  36x	Hawk Foot  4x	Baza shears Right left Team  2x	Scissors Spring  4x	BACKREST PIN  12x



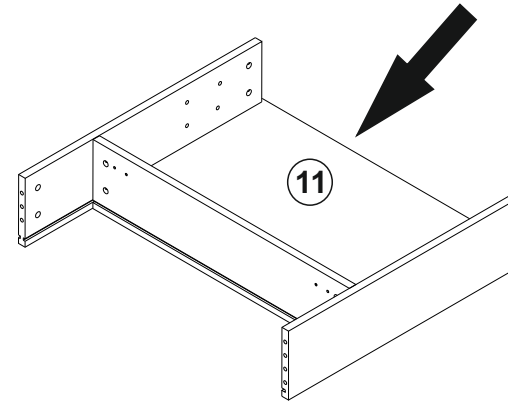
PRELIMINARY & ACCESSORIES INSTALLATION



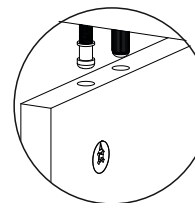
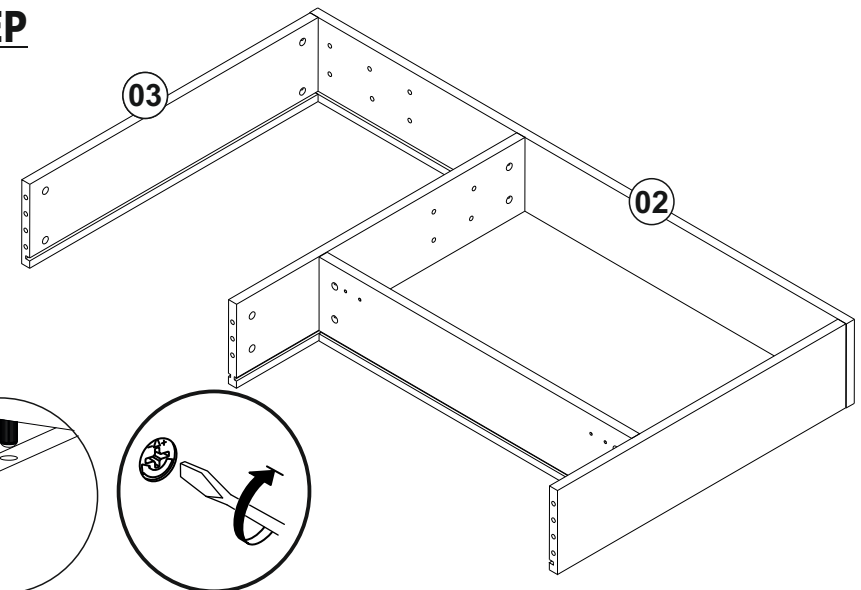
1.STEP



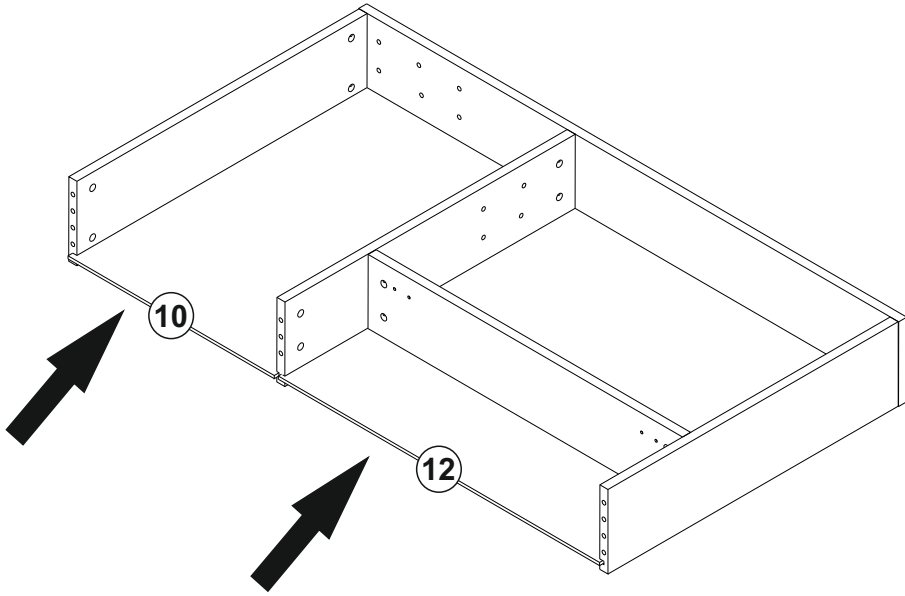
2.STEP



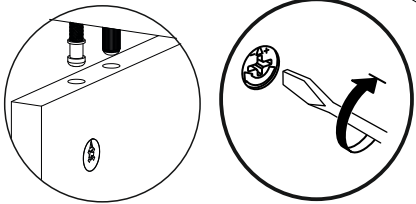
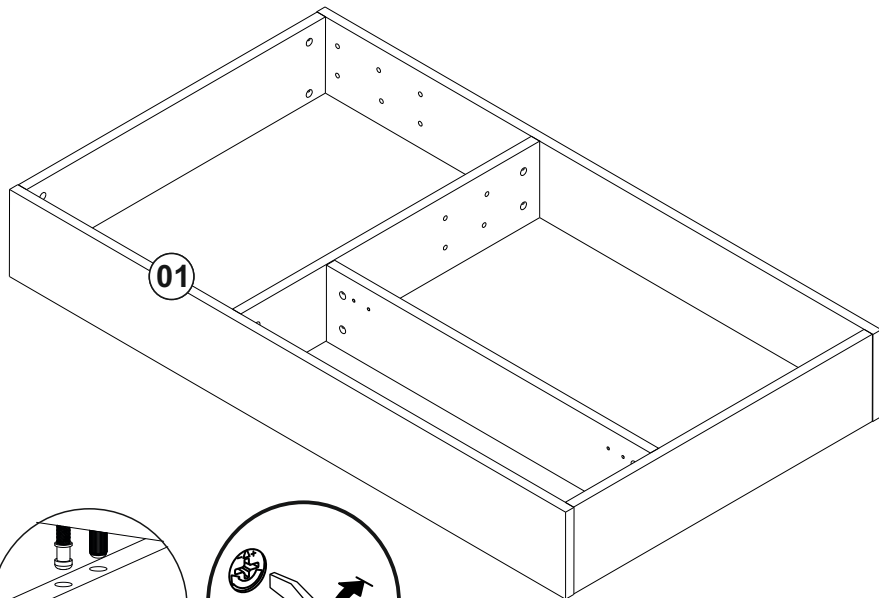
3.STEP



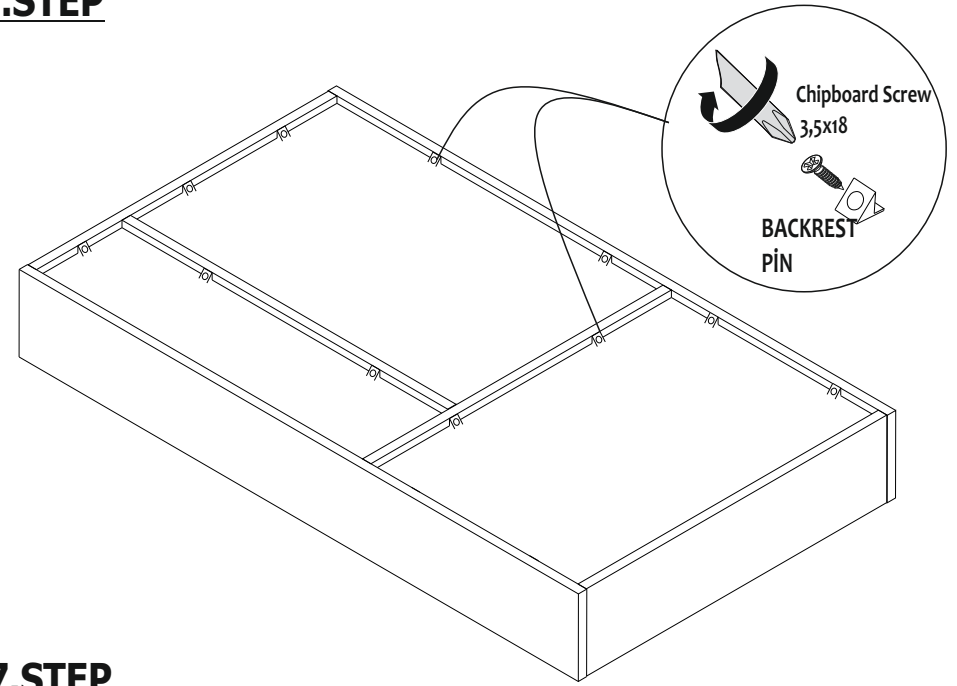
4.STEP



5.STEP

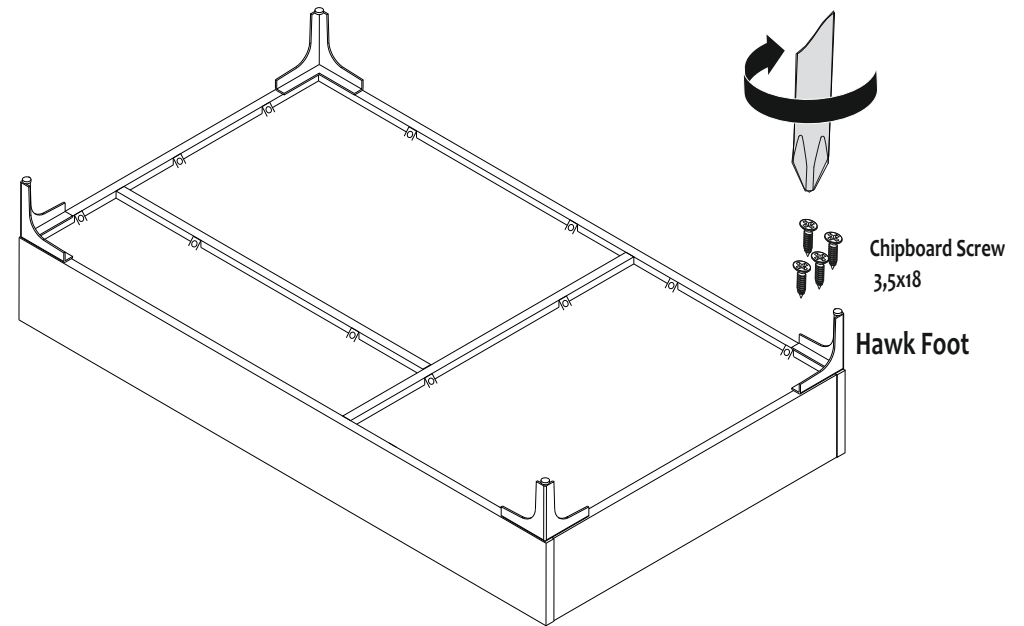


6.STEP

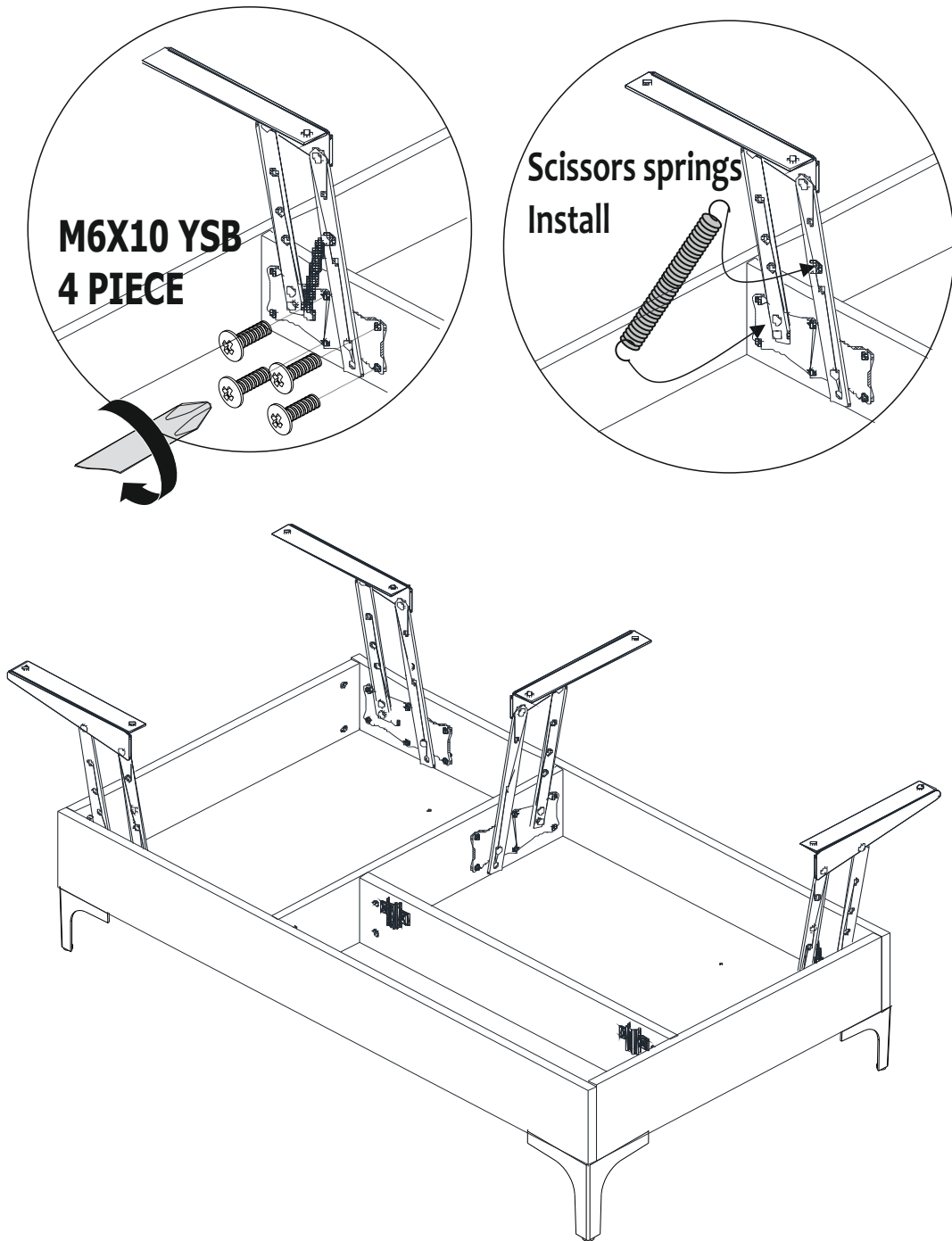


3

7.STEP



8.STEP



9.STEP

