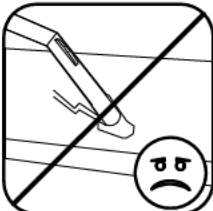
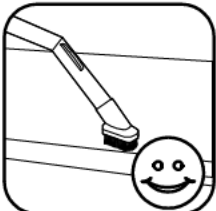
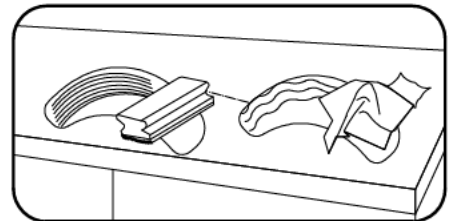
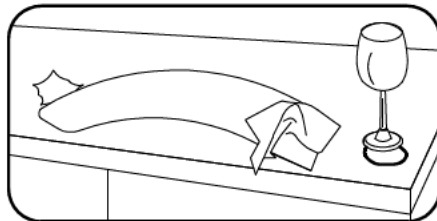
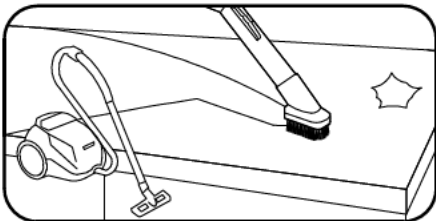
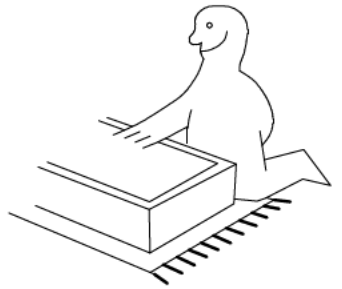
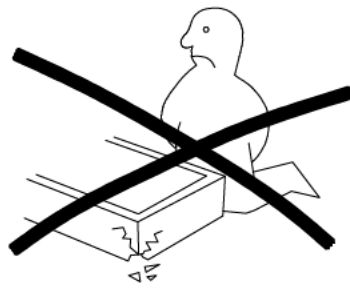
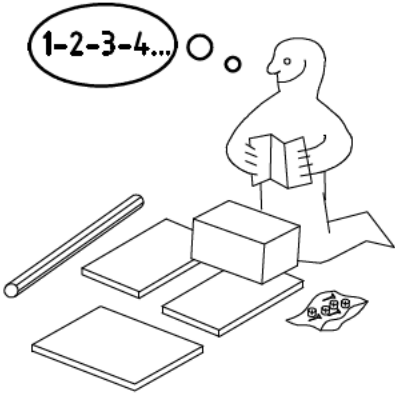
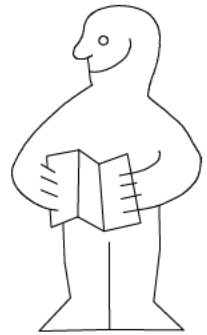
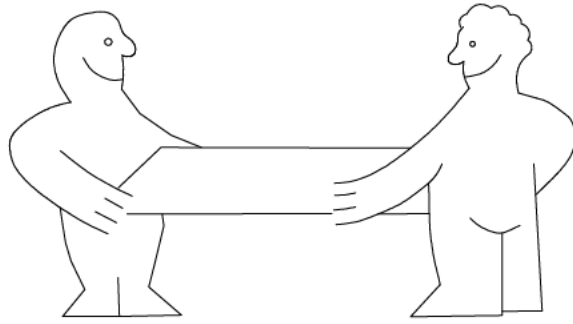
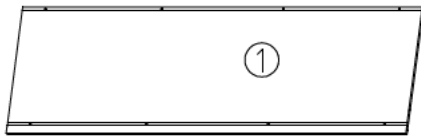
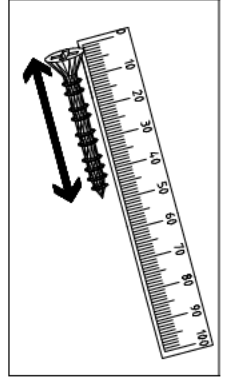
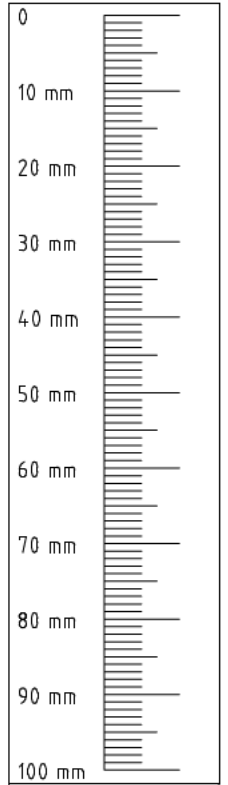
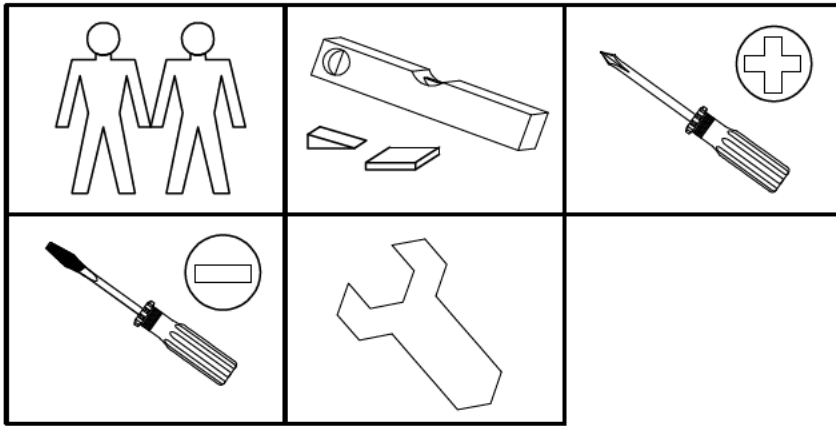


H 180





1761x560x15



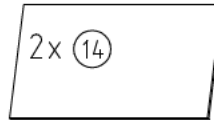
1760x32x15



1760x32x15

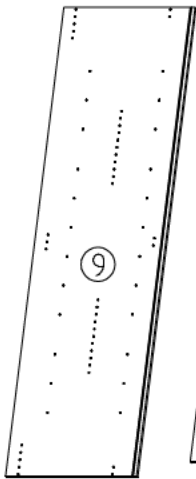


1761x560x15

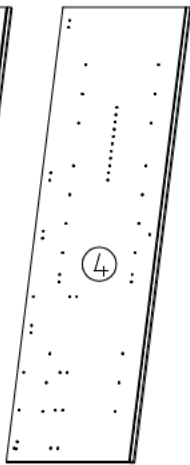


2x 14

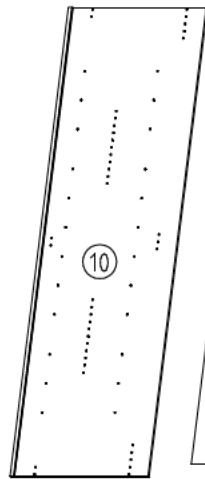
873x500x18



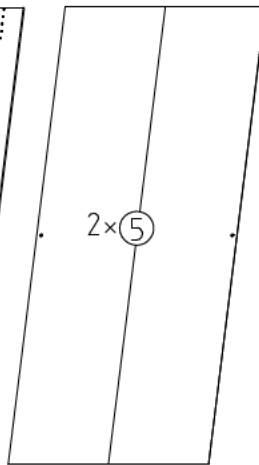
2064x577x15



2001x560x15

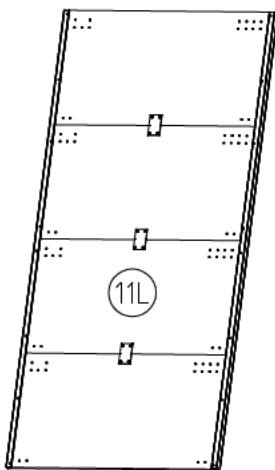
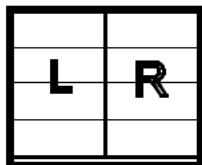


2064x607x15

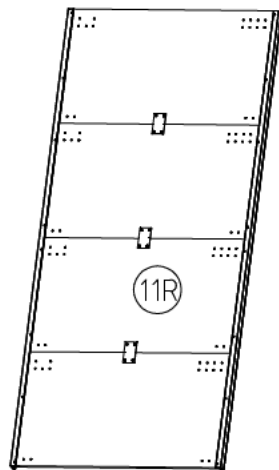


2x 5

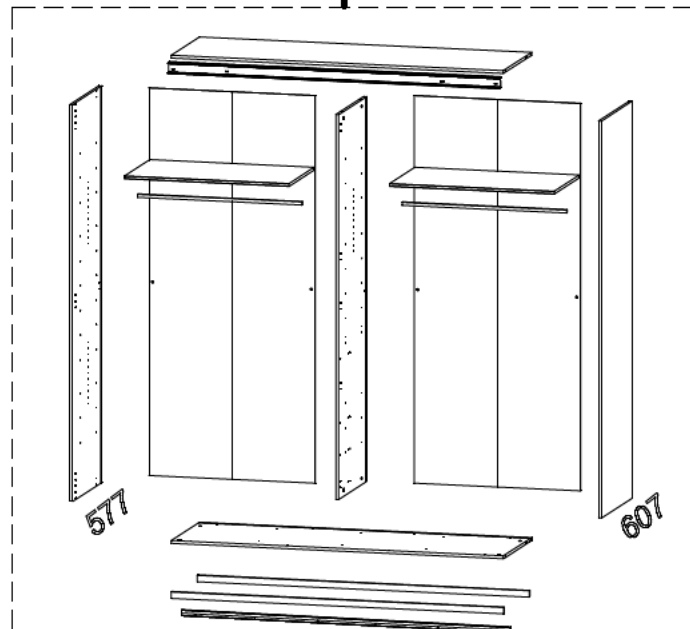
2015x882x2,5

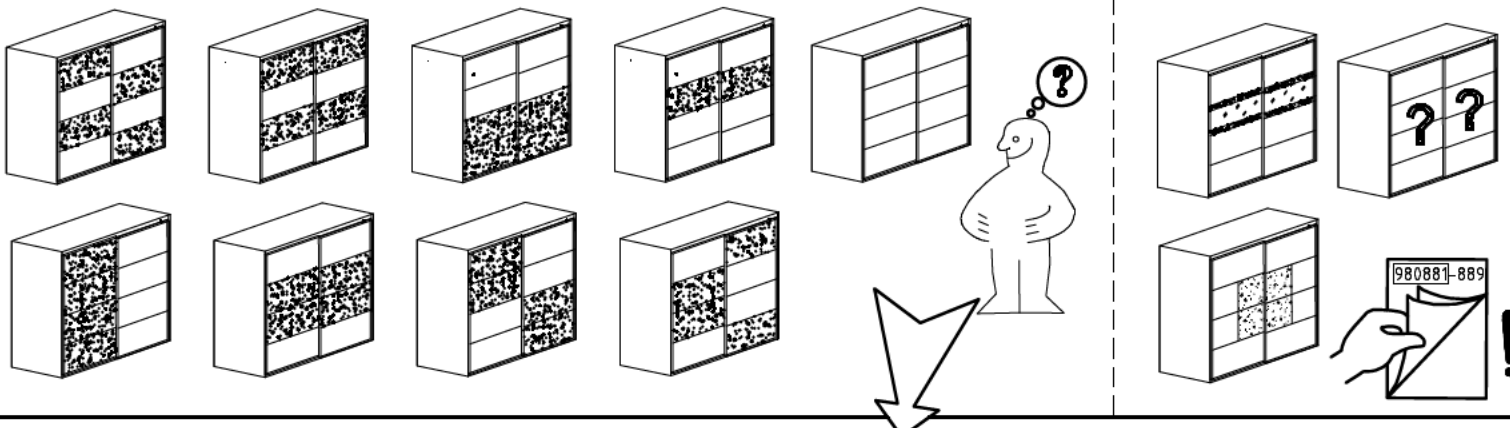


2018x916x15



2018x916x15





1x **FPN**  
1316/1760  
2204/2648/3092/3536

1x **LP**  
1316/1760  
2204/2648/3092/3536

	<b>SWH1</b>	2x
	<b>SWH2</b>	1x
	<b>SWH3</b>	1x
	<b>SWH-D</b>	1x

	<b>SWH 6</b>	2x
	<b>SWH 7</b>	2x
	<b>SWH-SKL</b>	1x
	<b>SWH-SKR</b>	1x

	<b>SWH-ST</b>	2x
	<b>SWH-MS</b>	2x
	6,3 x 10,5 mm T2	24x
	111 030 H5	6x

	4 X 13mm <b>SP13</b>	56x
	121 122 3,5 x 22 mm <b>624</b>	8x
	121 004 M4 x 13 mm <b>GH13</b>	4x
	121 xxx M4 x 10 mm <b>G4.3</b>	4x

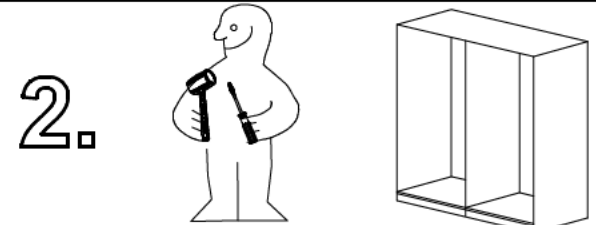
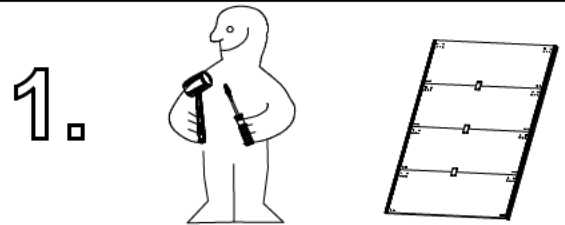
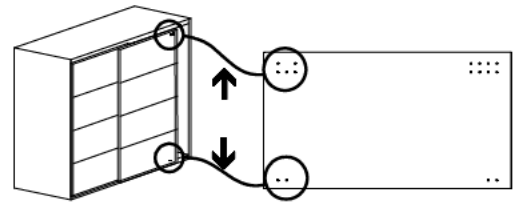
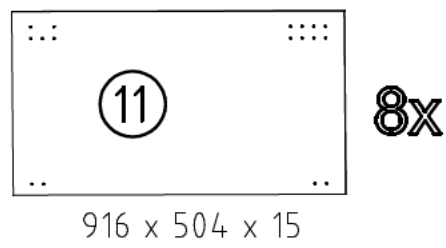
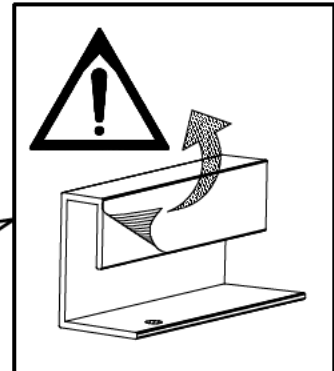
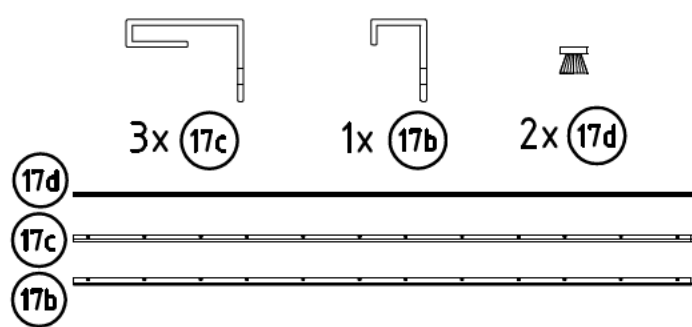
	<b>A</b>	12x
	<b>C</b>	12x

	M6 x 11 mm T6	4x
	121 181 J1	4x

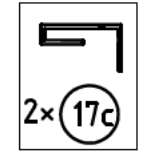
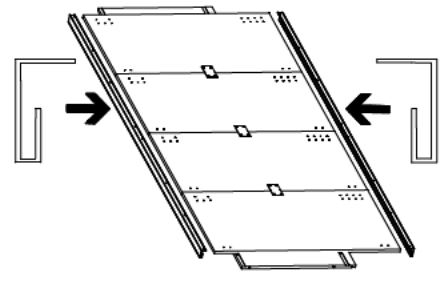
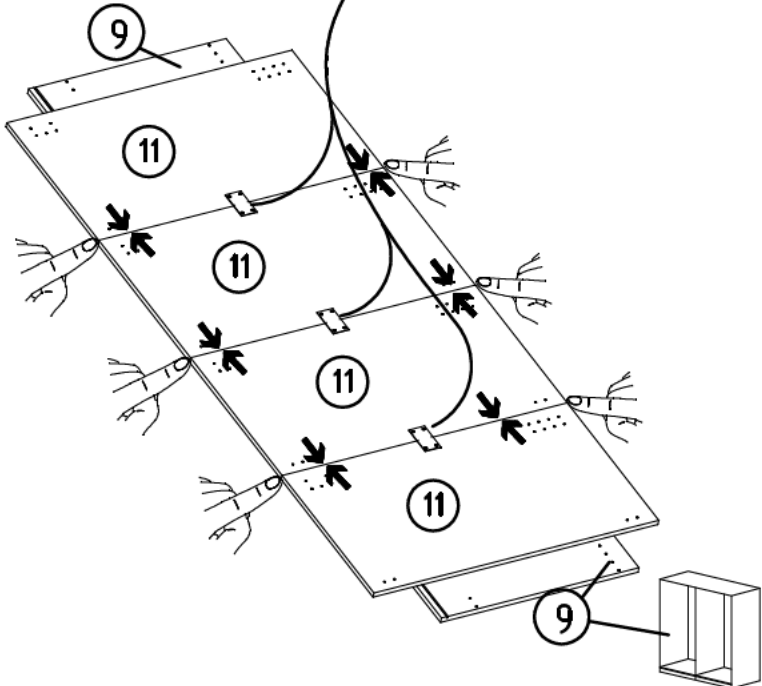
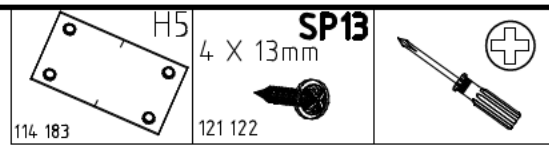
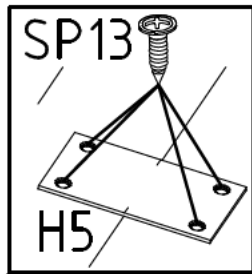
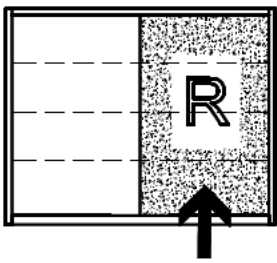
	L7	8x
	K1	4x

	870mm K20	2x
	112 402 3,5 x 15 mm G1	8x

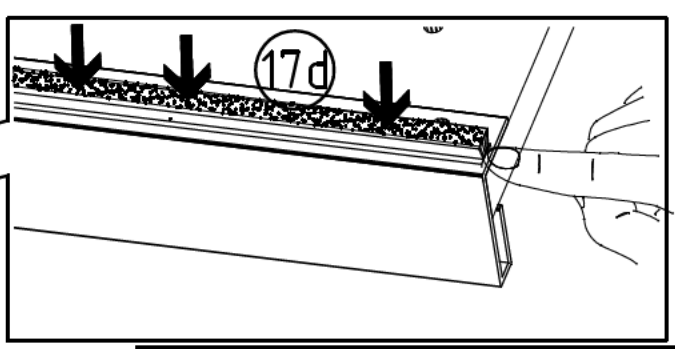
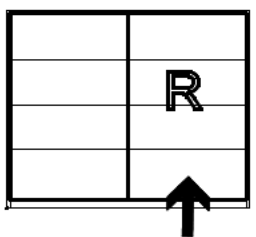
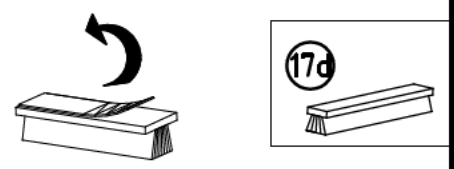
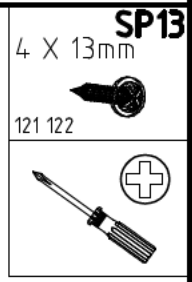
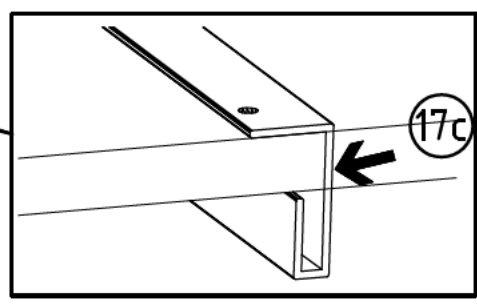
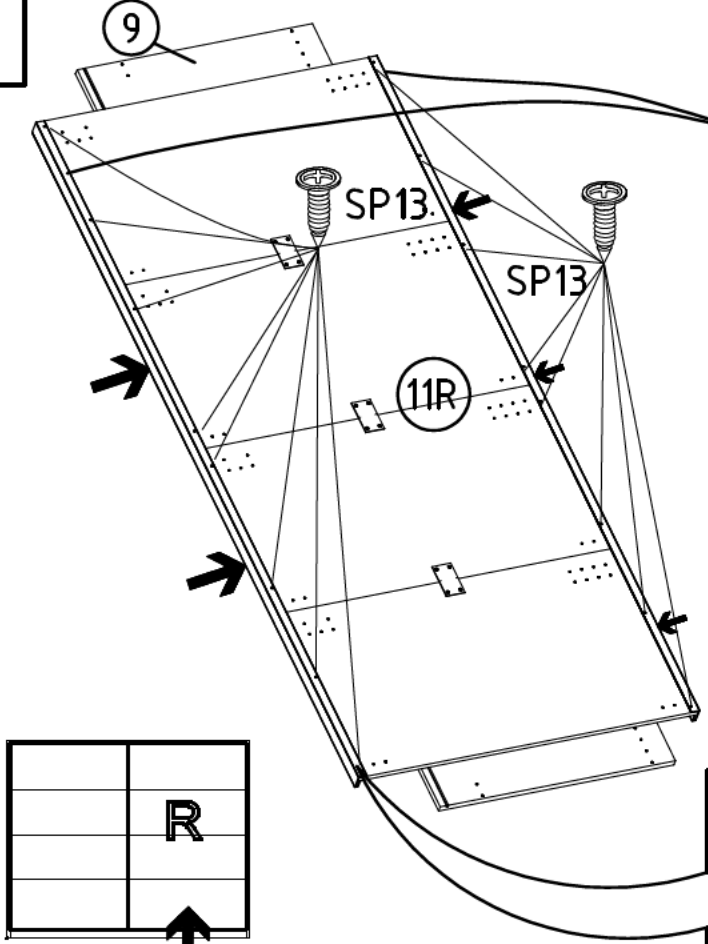
	3,5 x 35 mm <b>G14</b>	12x
--	------------------------	-----



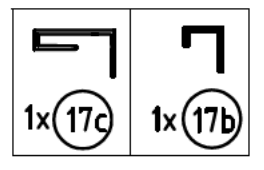
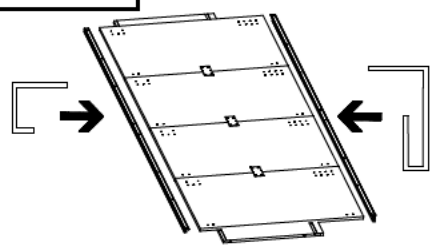
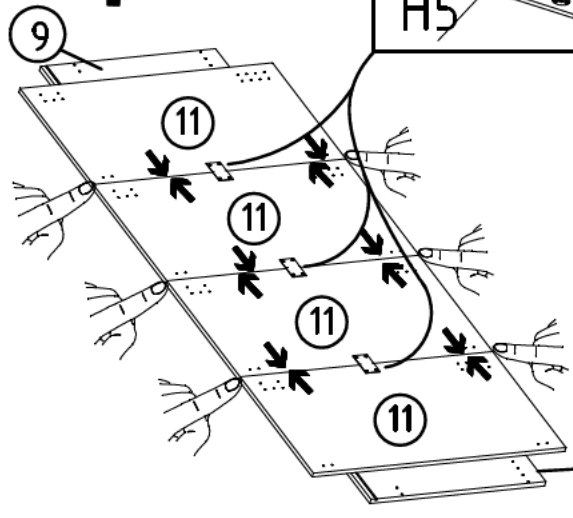
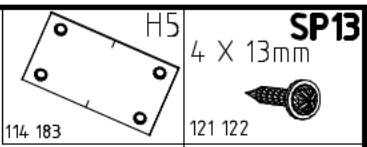
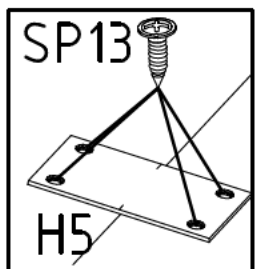
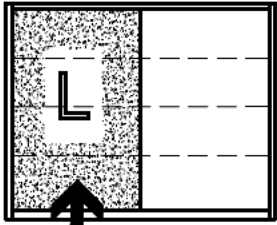
1



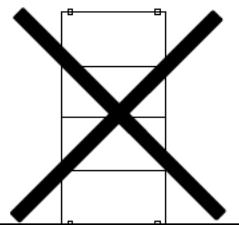
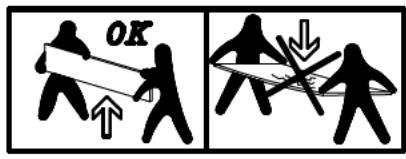
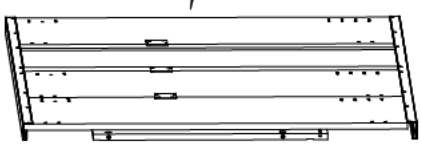
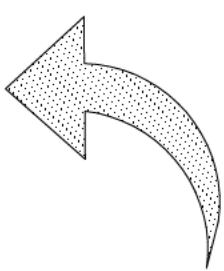
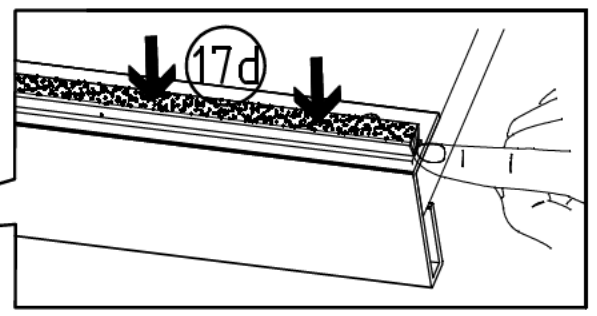
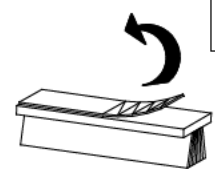
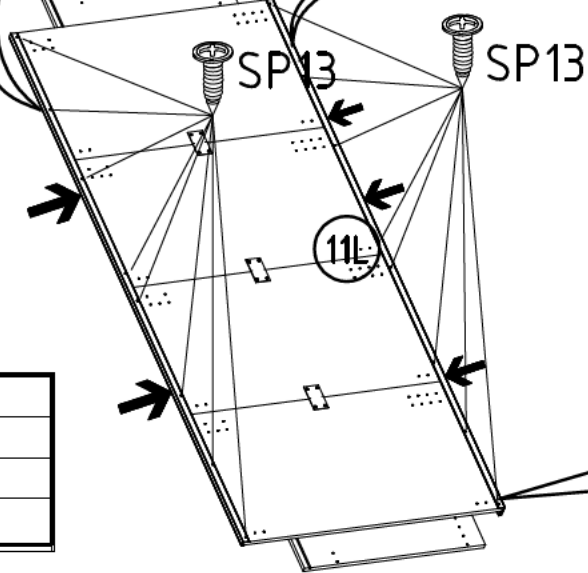
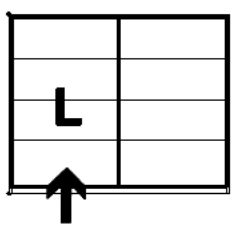
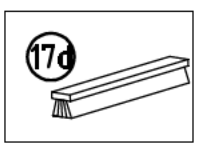
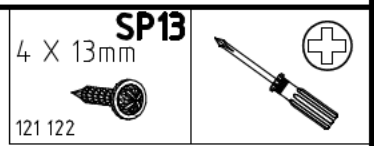
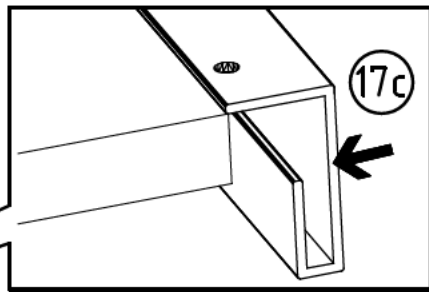
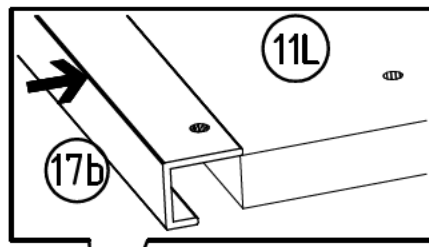
2



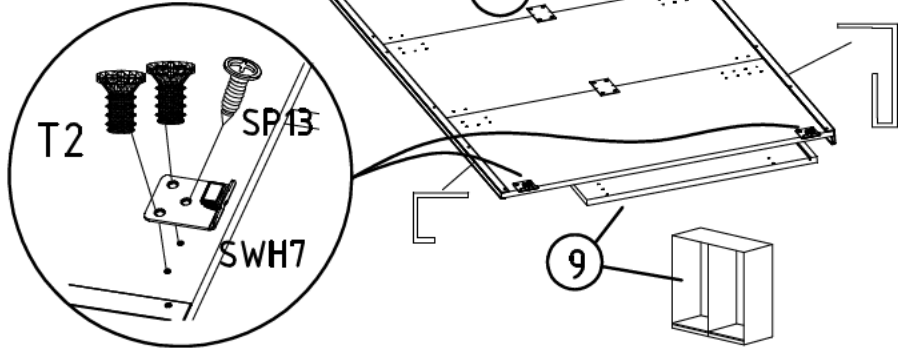
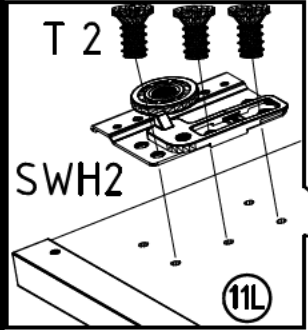
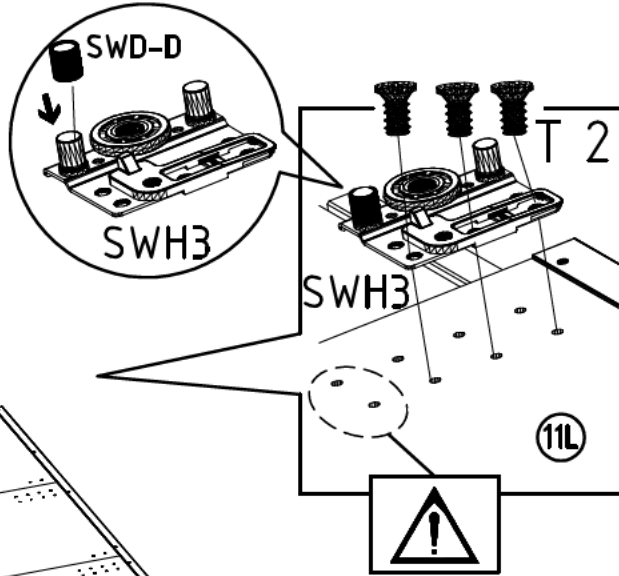
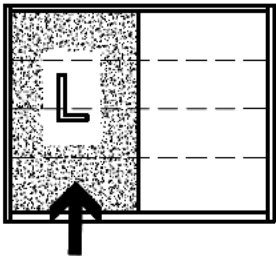
3



4

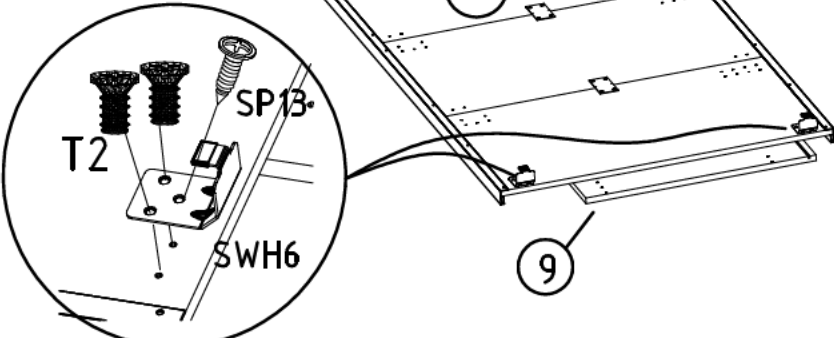
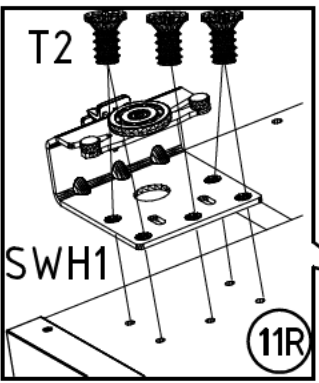
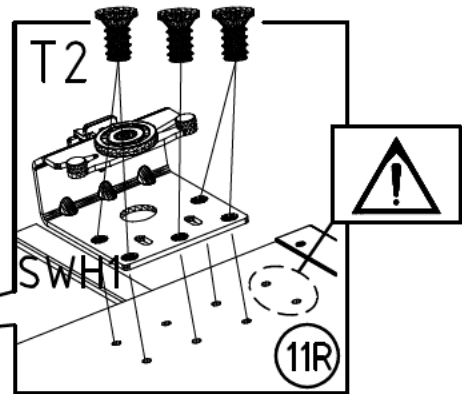
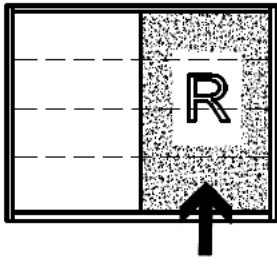


5

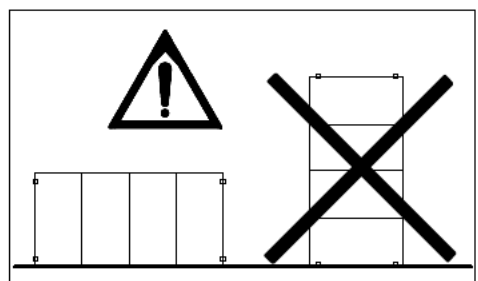


- SWH2
- SWH3
- SWH 7
- SWH-D
- 6,3 x 10,5 mm T2
- 111 030
- SP13
- 4 X 13mm
- 121 122
- +

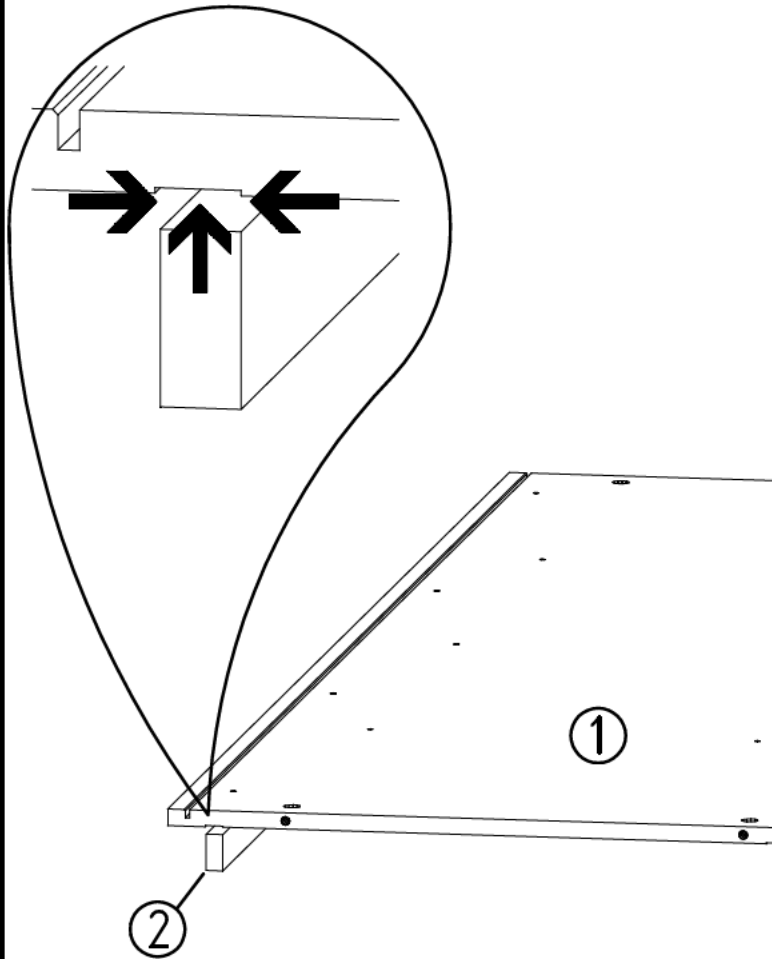
6



- SWH1
- SWH 6
- 6,3 x 10,5 mm T2
- 111 030
- SP13
- 4 X 13mm
- 121 122
- +

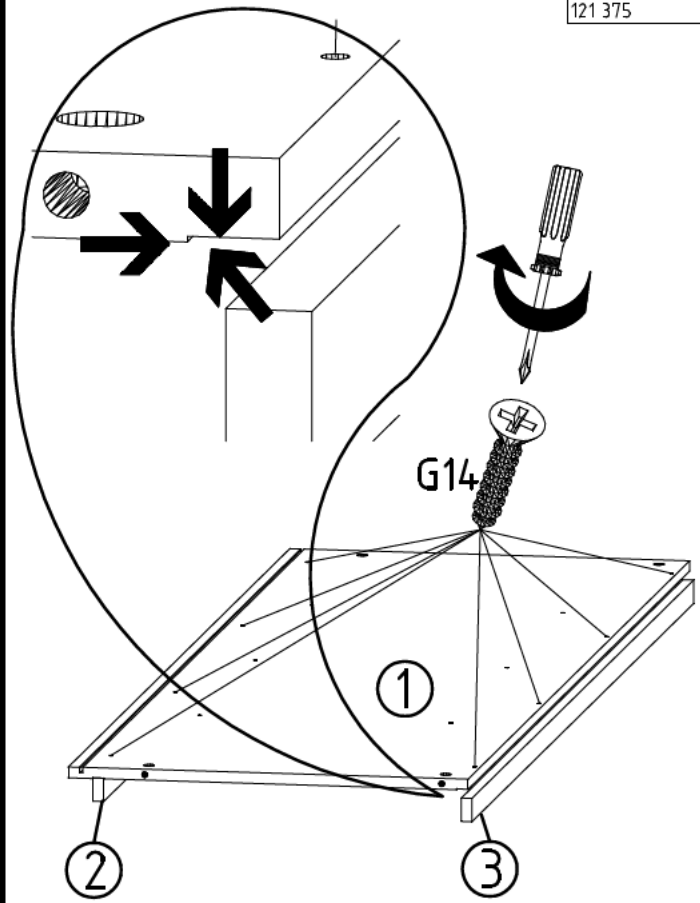


7

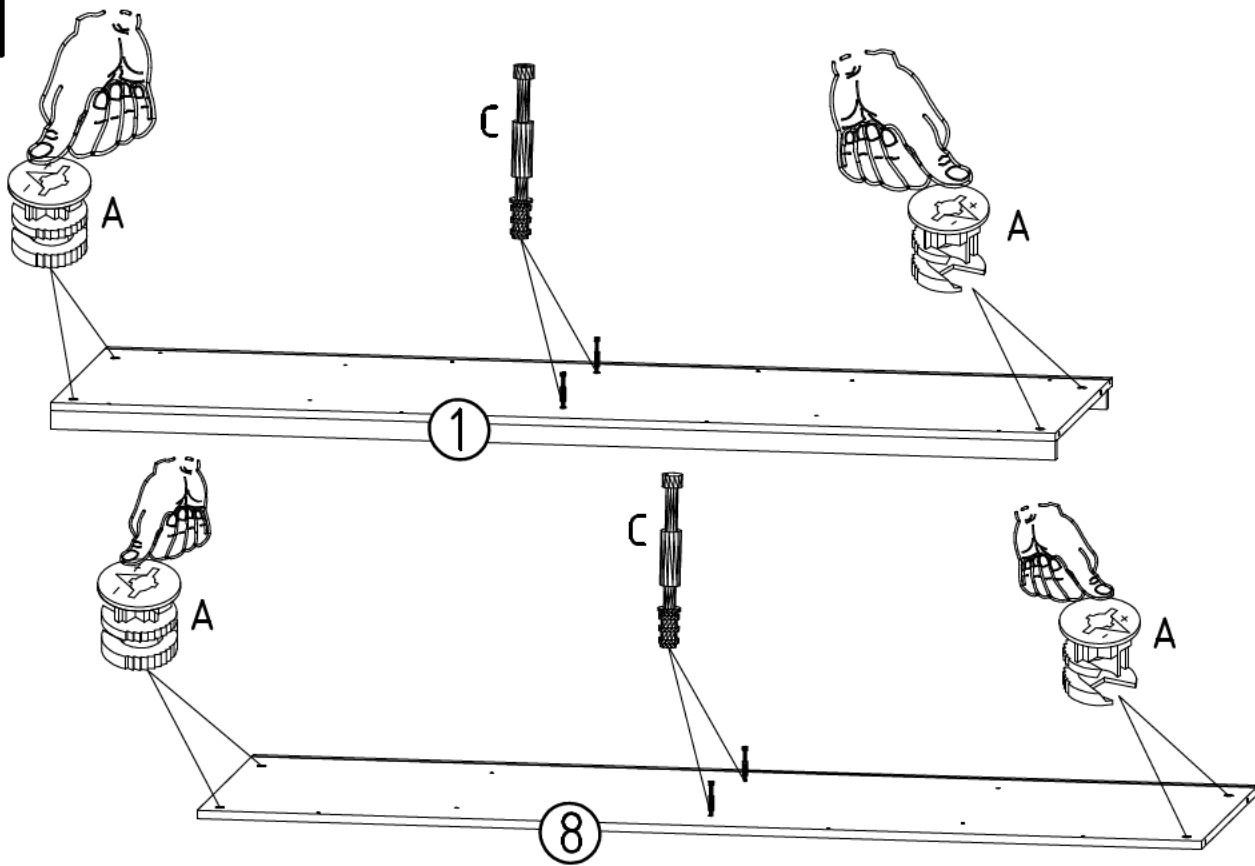


8

3,5 x 35 mm **G14**  
121 375



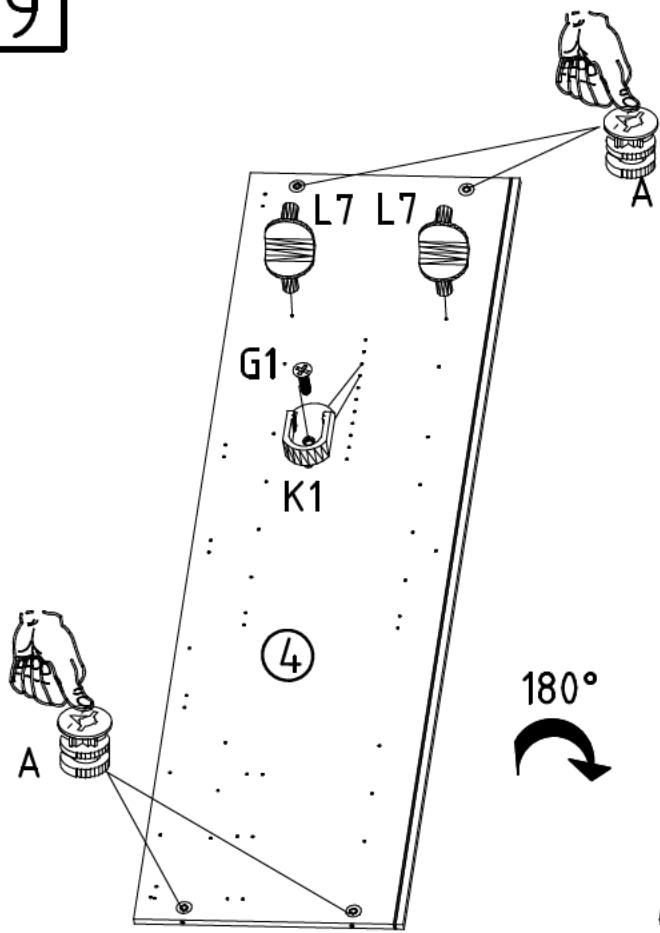
9



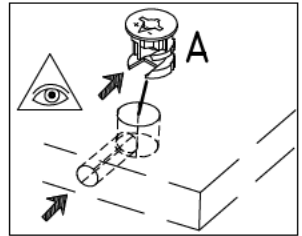
**A**  
111 102

**C**  
111 103

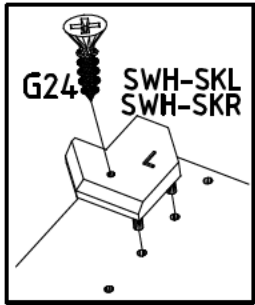
9



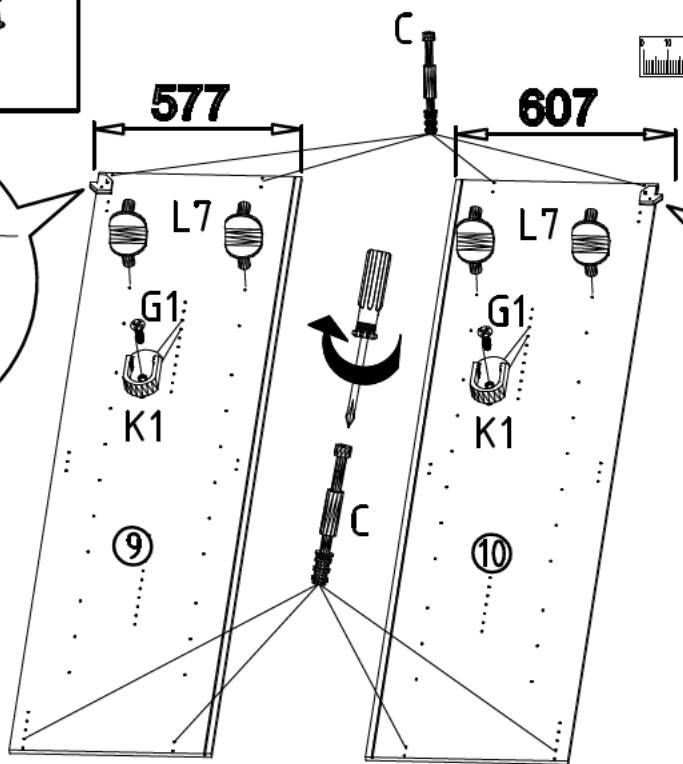
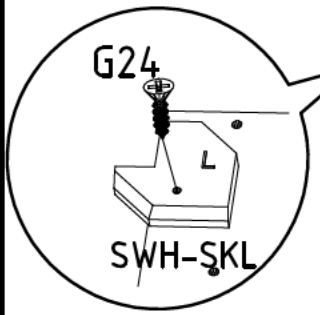
 111 102	<b>A</b> 3,5 x 15 mm  121 370	<b>G1</b>  117 001	<b>K1</b>  111 610	<b>L7</b>  111 610



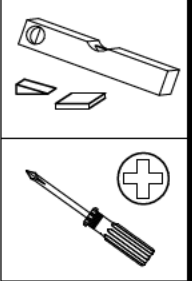
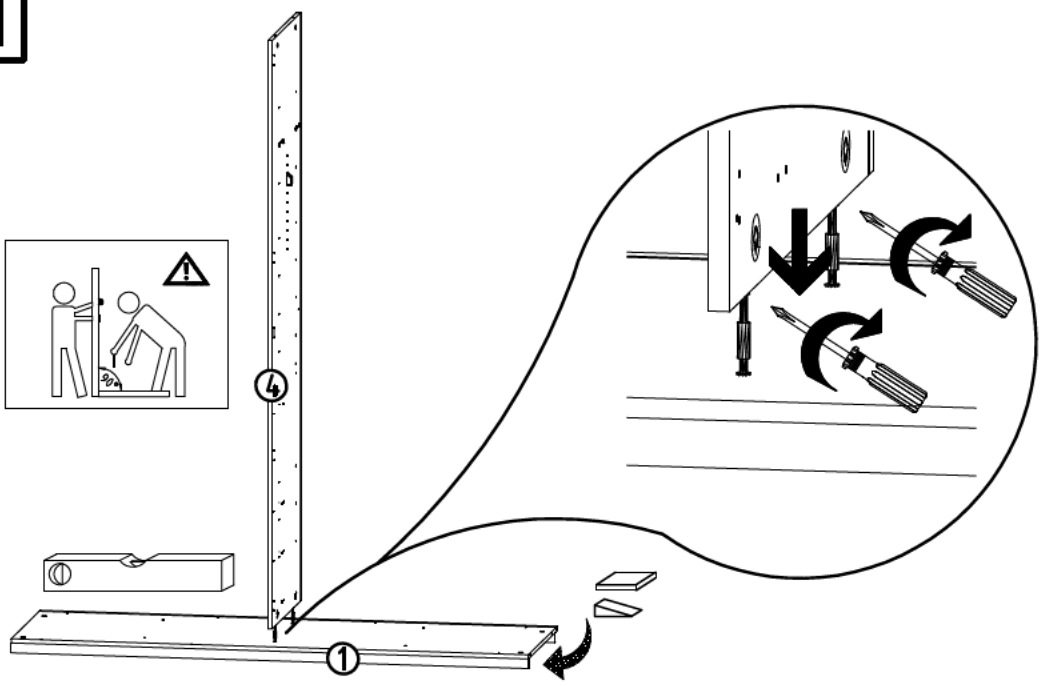
10



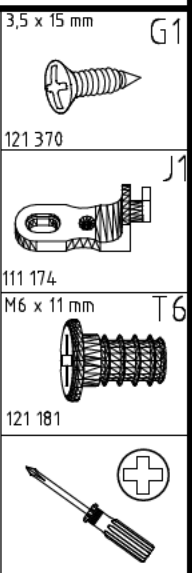
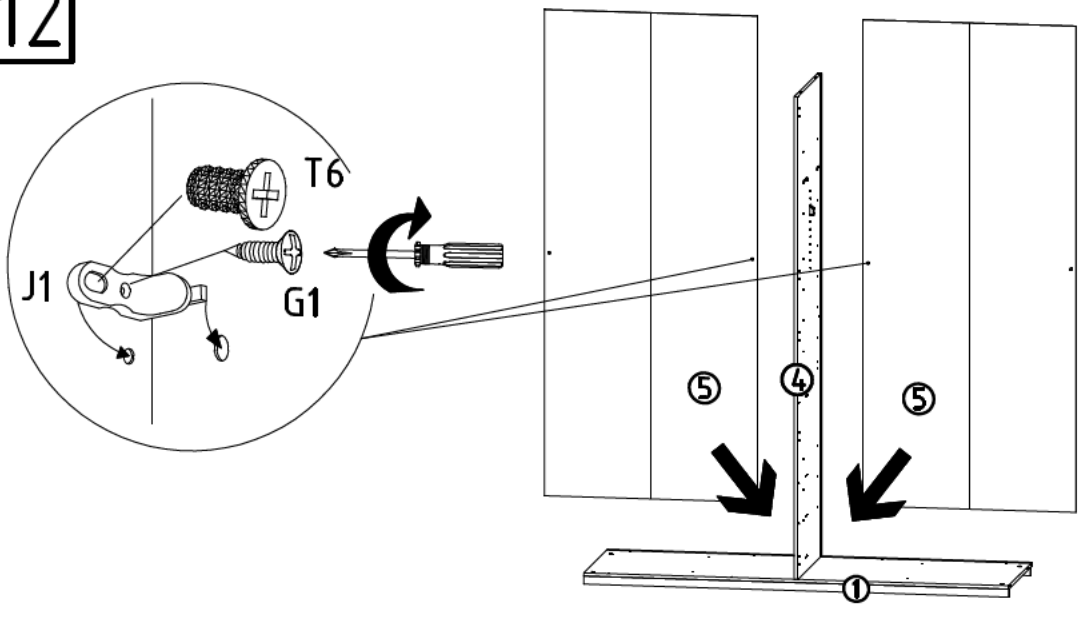
<b>C</b>  111 103 3,5 x 15 mm	<b>G1</b>  121 370
<b>K1</b>  117 001	<b>L7</b>  111 610
<b>SWH-SKL</b>  L	
<b>SWH-SKR</b>  R	
3,5 x 22 mm <b>G24</b>  121 004	



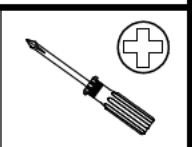
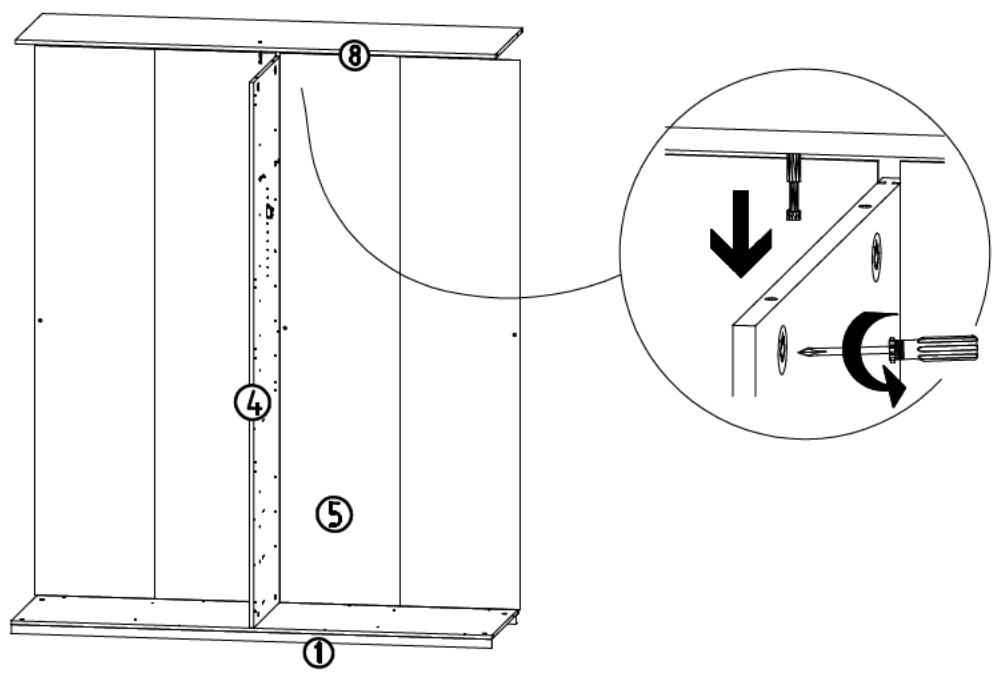
11



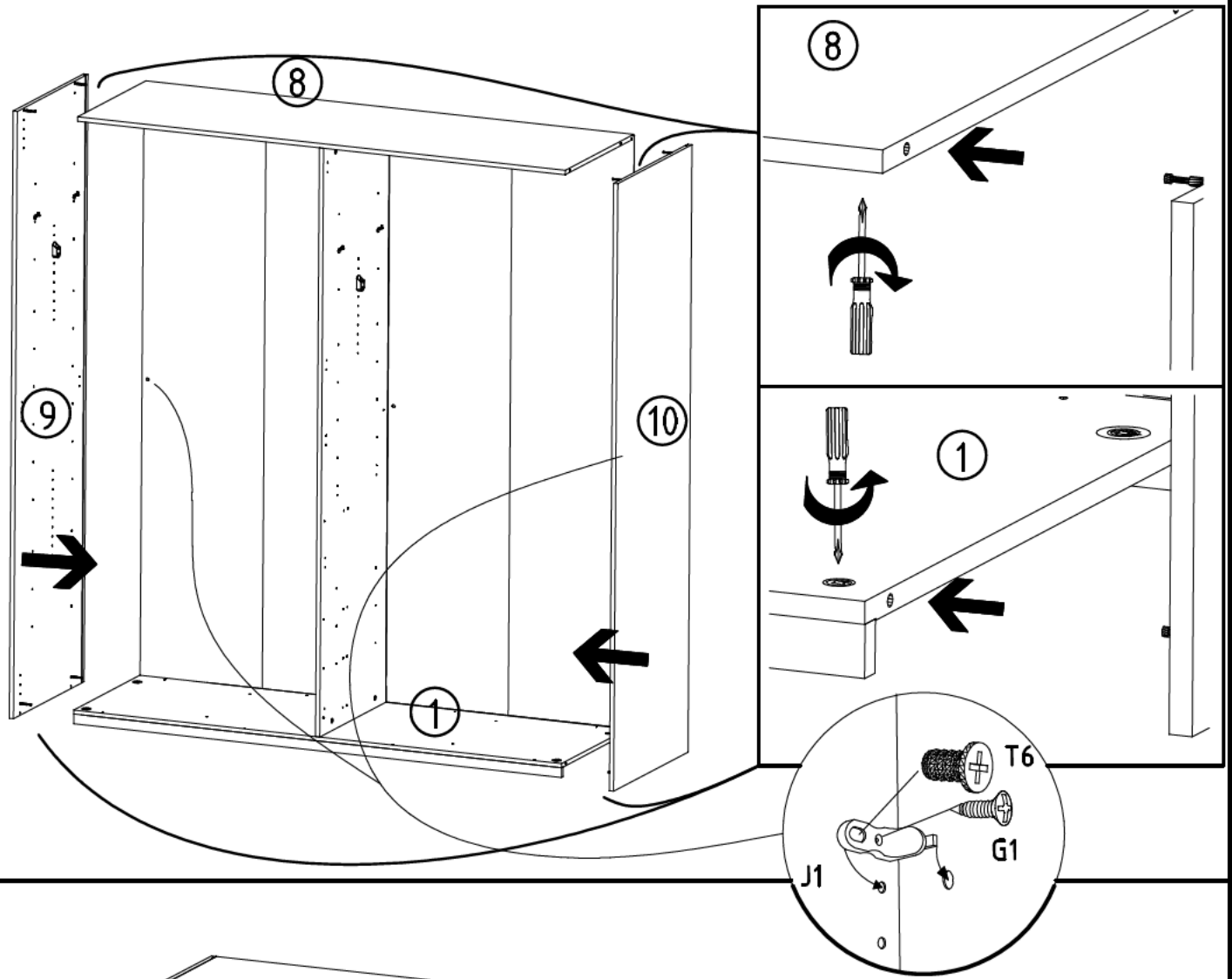
12



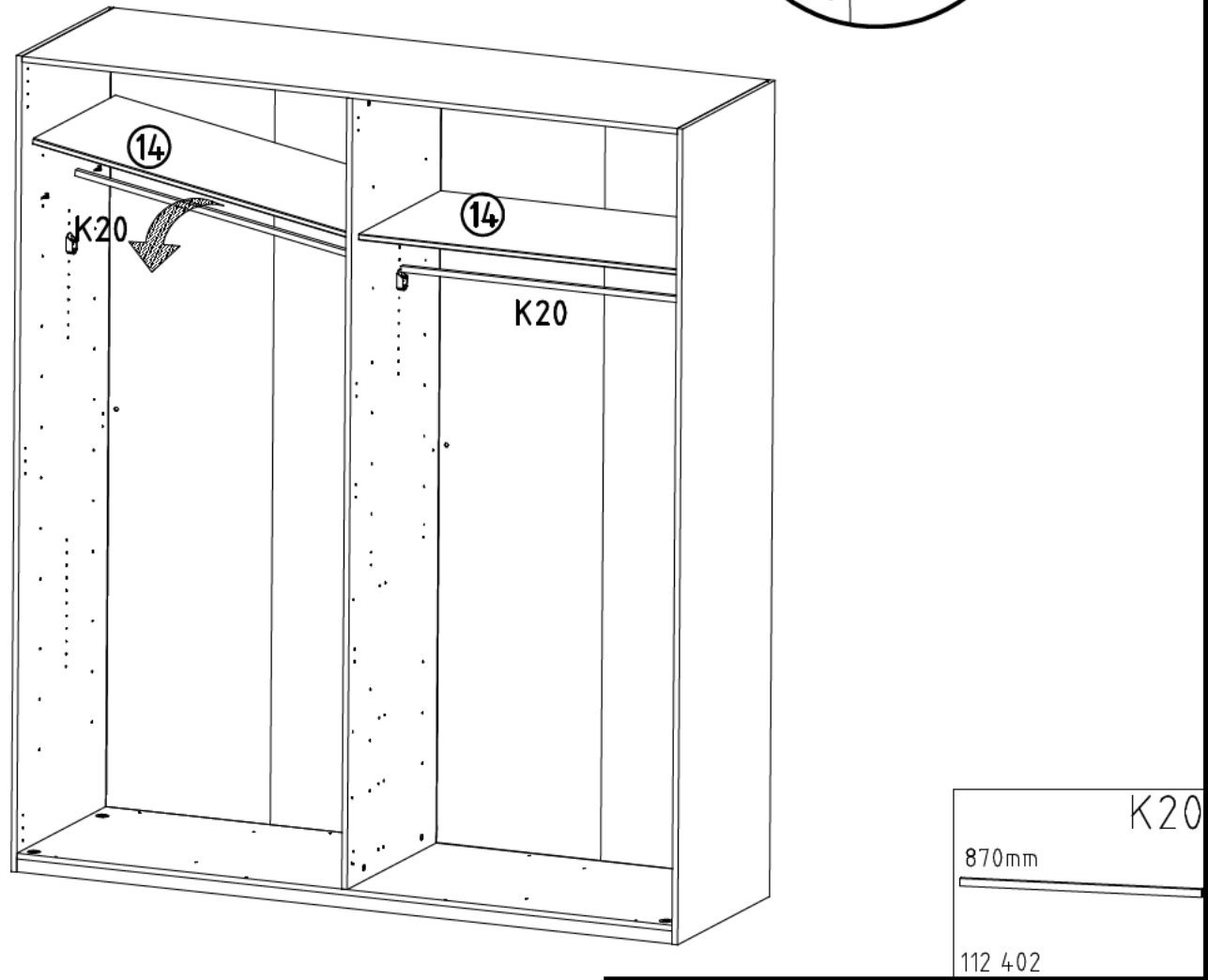
13



14



15

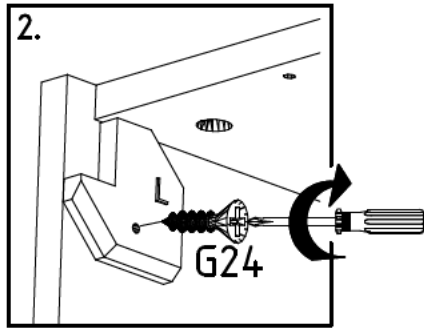
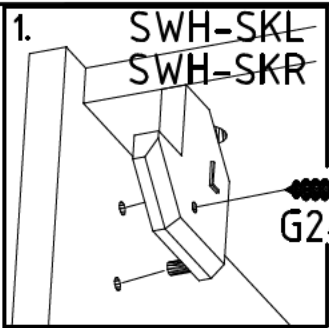


K20

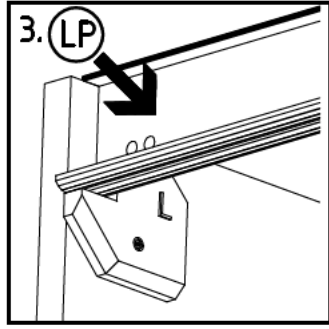
870mm

112 402

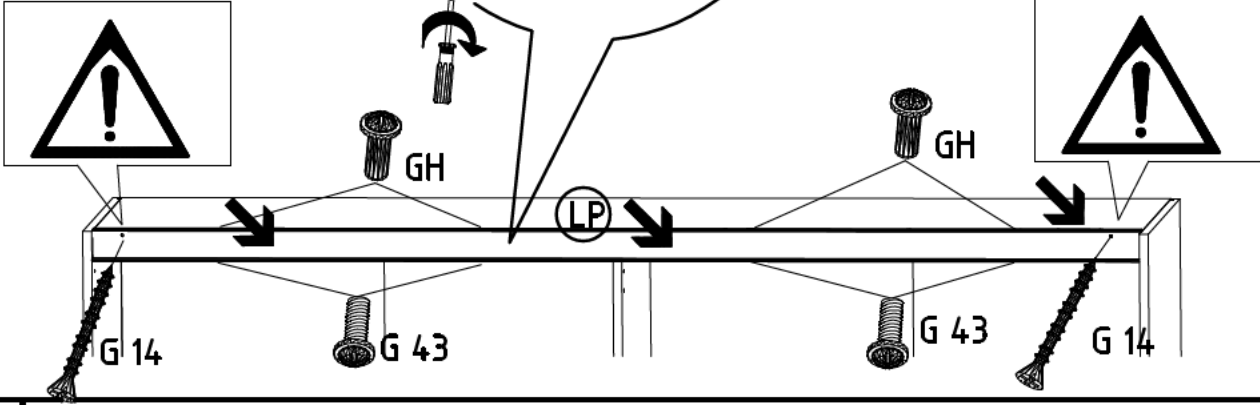
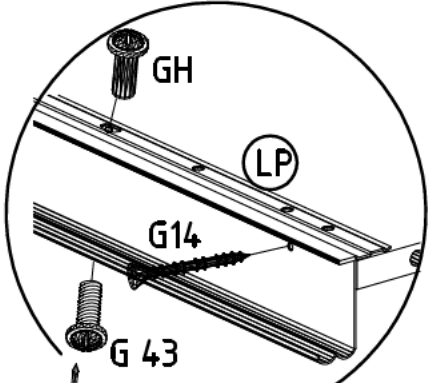
16



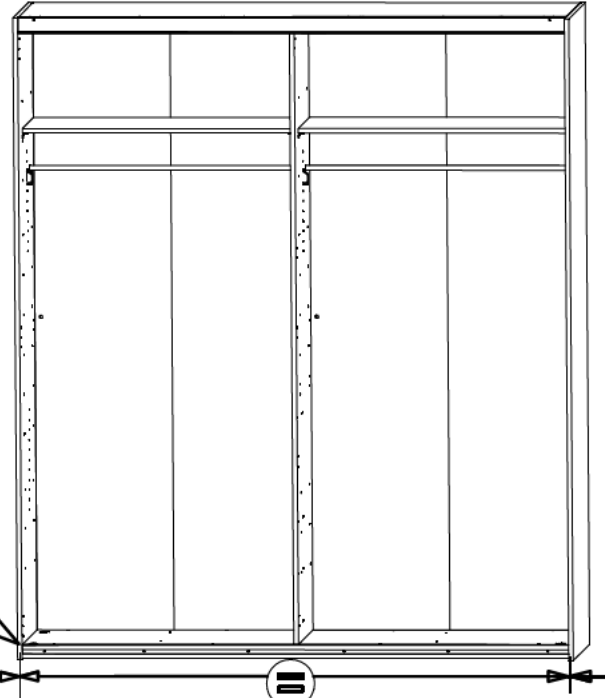
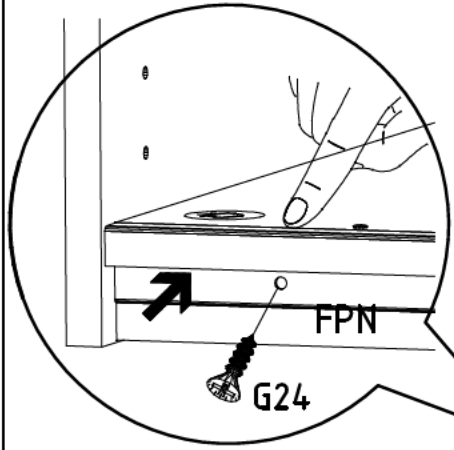
3,5 x 35 mm <b>G14</b> 121 375	M4 x 10 mm <b>G43</b> 121 xxx	M4 x 13 mm <b>GH13</b> 121 xxx
--------------------------------------	-------------------------------------	--------------------------------------



**LP**  
1316/1760  
2204/2648/3092/3536



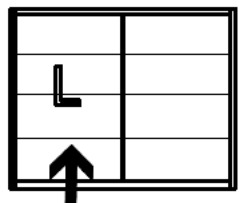
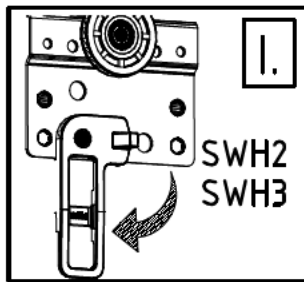
17



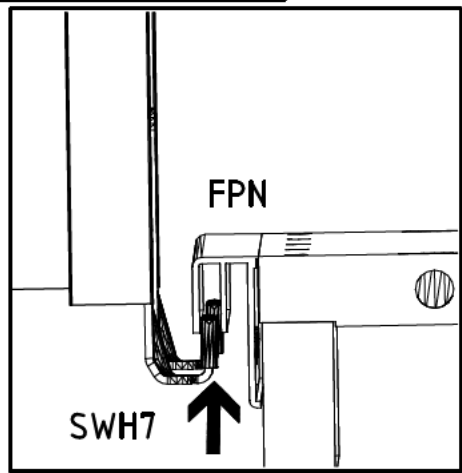
**FPN**  
1316/1760  
2204/2648/3092/3536

3,5 x 22 mm  
**G24**  
121 004

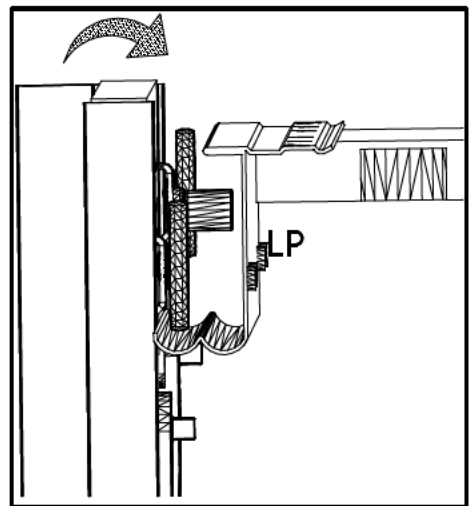
18



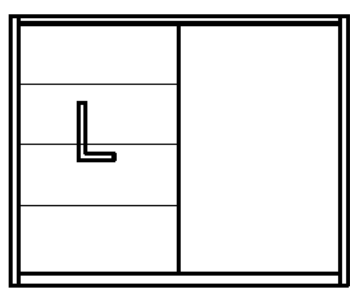
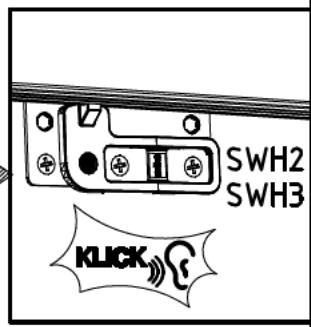
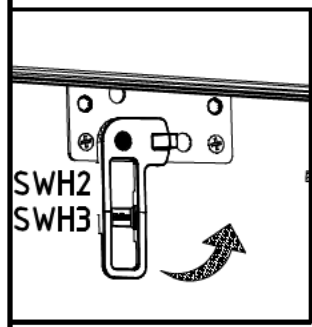
II.



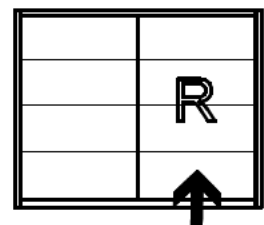
III.



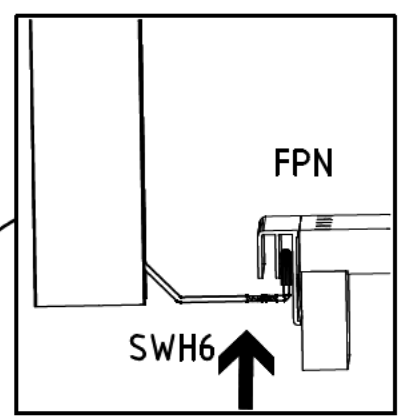
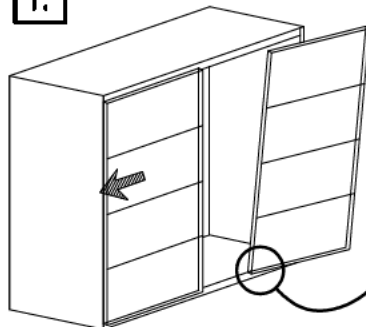
IV.



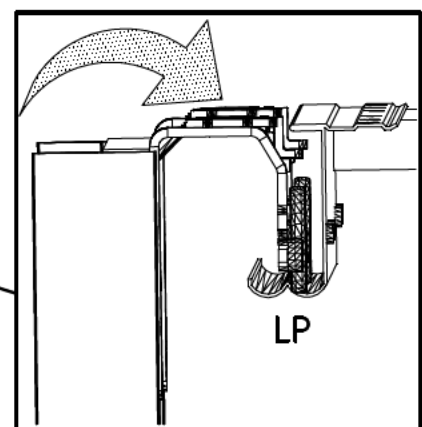
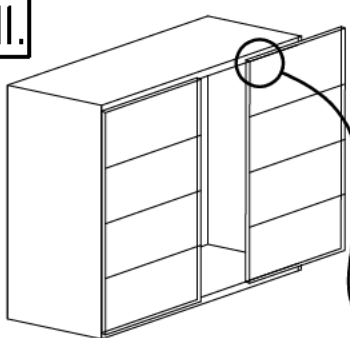
19



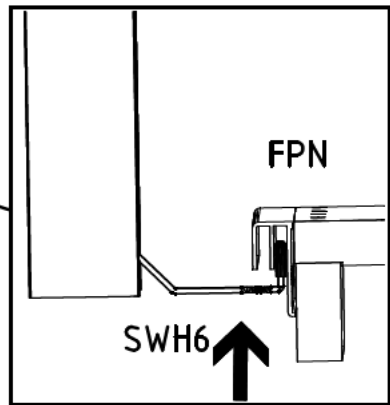
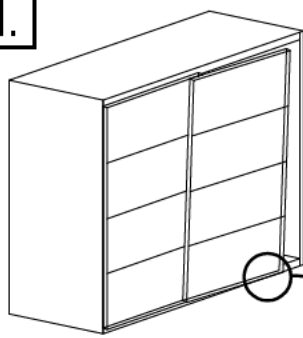
I.



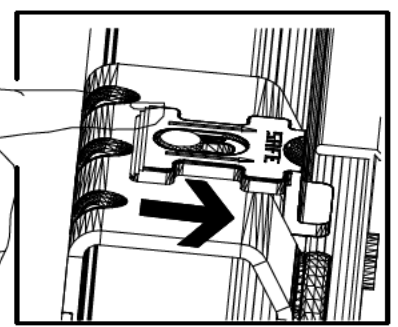
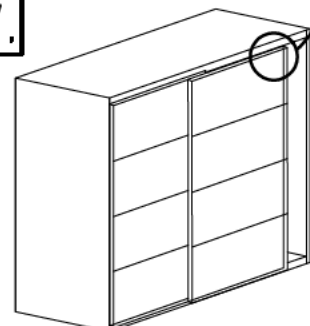
II.



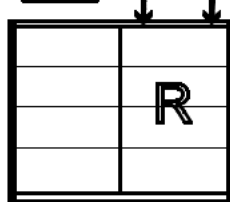
III.

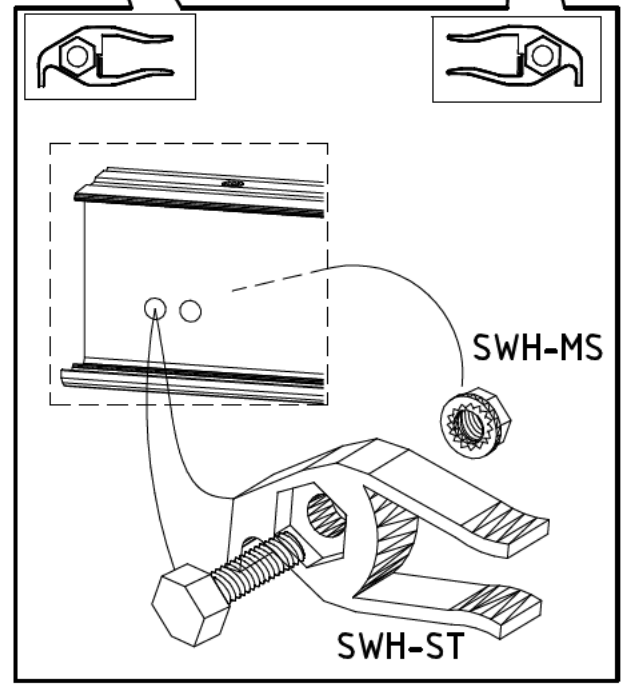
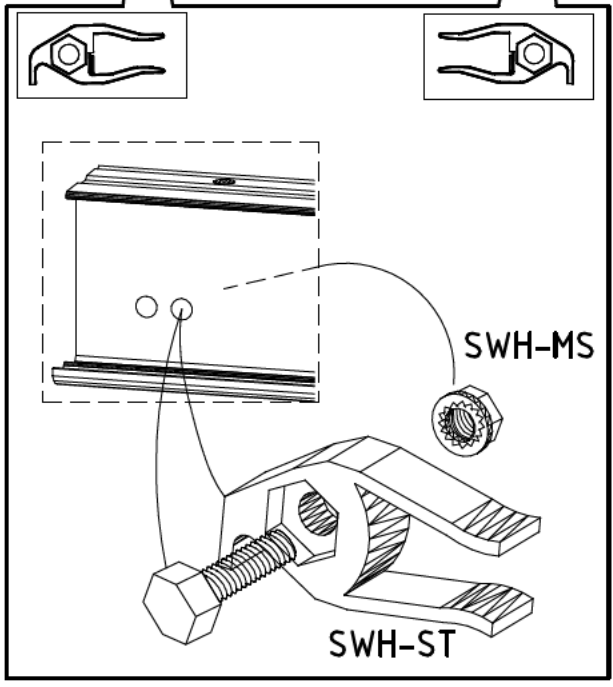
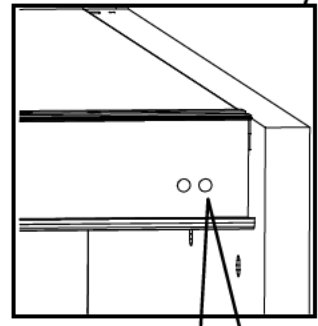
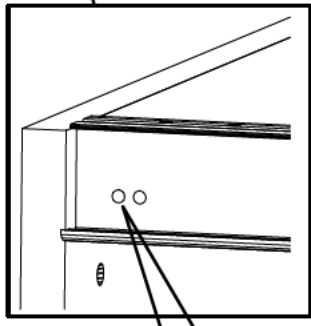
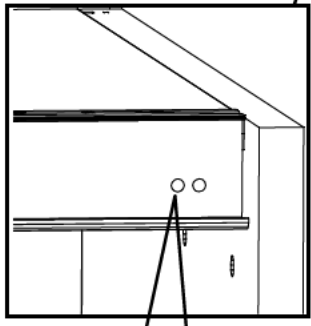
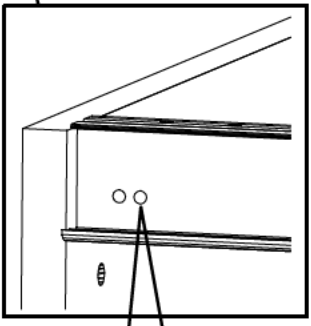
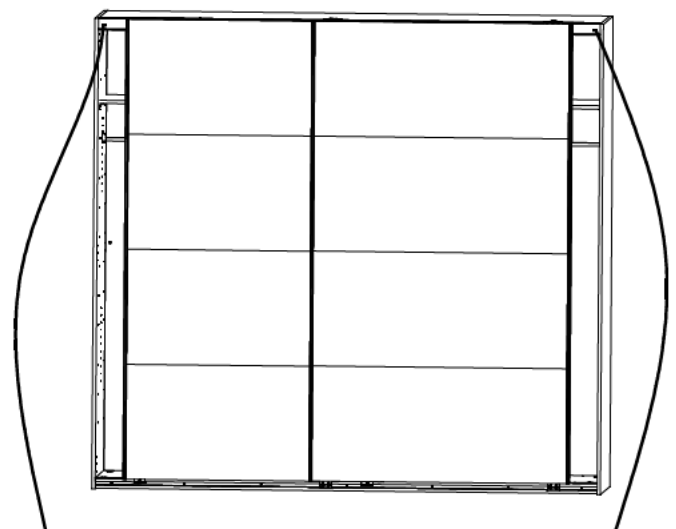
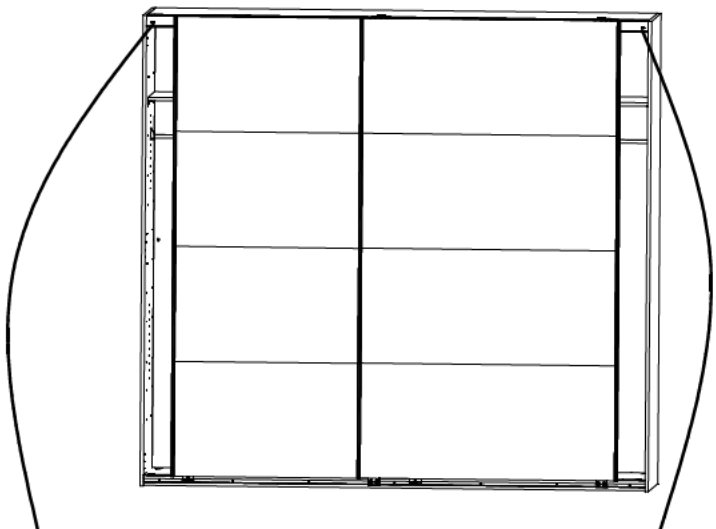
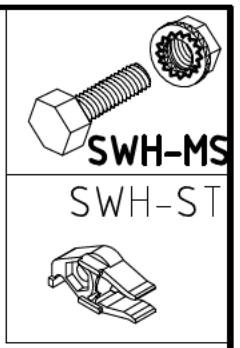
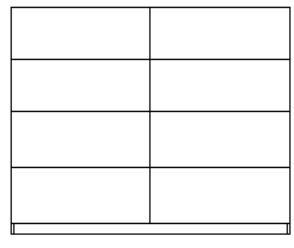
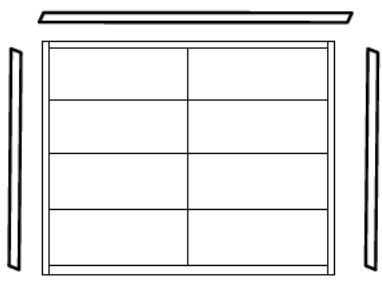


IV.

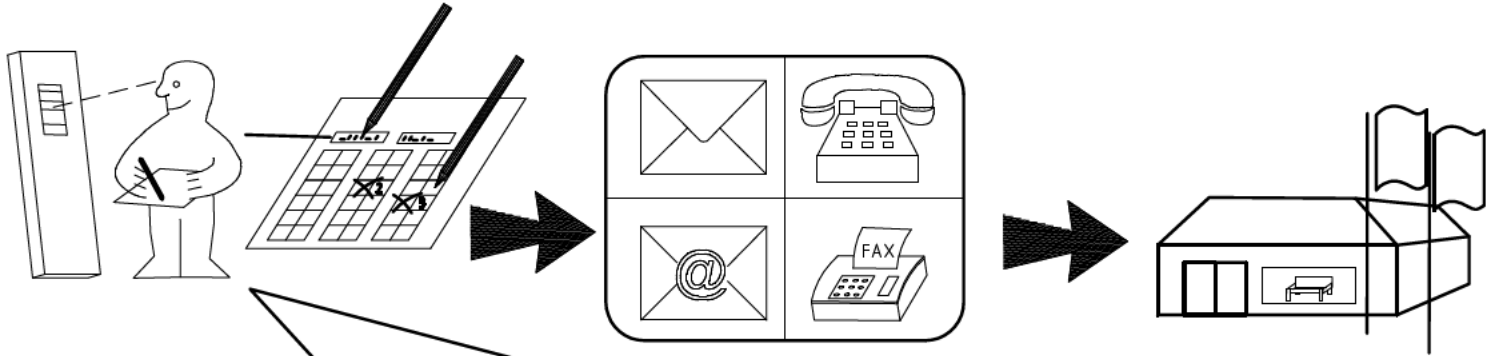
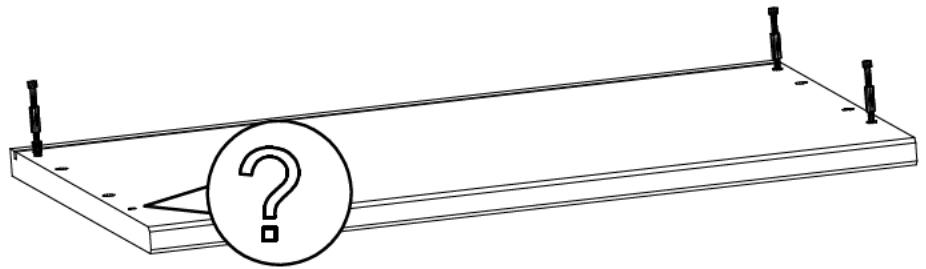
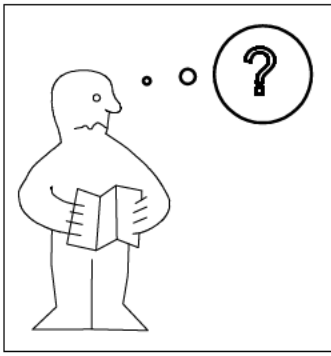


V.









Auftrag/Order-No  
No. de Commande

Kunde/Customer  
Client

	<b>SWH1</b>
	<b>SWH2</b>
	<b>SWH3</b>
	<b>SWH 6</b>
	<b>SWH 7</b>
	<b>SP13</b> 4 X 13mm 121 122

	<b>SWH-D</b>
	<b>SWH-SKL</b>
	<b>SWH-SKR</b>
	<b>SWH-ST</b>
	<b>SWH-MS</b>
	<b>T2</b> 6,3 x 10,5 mm 111 030
	<b>G43</b> M4 x 10 mm 121 xxx

	<b>G1</b> 3,5 x 15 mm 121 370
	<b>G24</b> 3,5 x 22 mm 121 004
	<b>A</b> 111 102
	<b>L7</b> 111 610
	<b>H5</b> 114 183
	<b>G14</b> 3,5 x 35 mm 121 375
	<b>GH13</b> M4 x 13 mm 121 xxx

	<b>K1</b> 117 001
	<b>C</b> 111 103
	<b>J1</b> 111 174
	<b>T6</b> M6 x 11 mm 121 181
	<b>K20</b> 870mm 112 402
	<b>K21</b> 424mm 112 403
	<b>F3</b>

