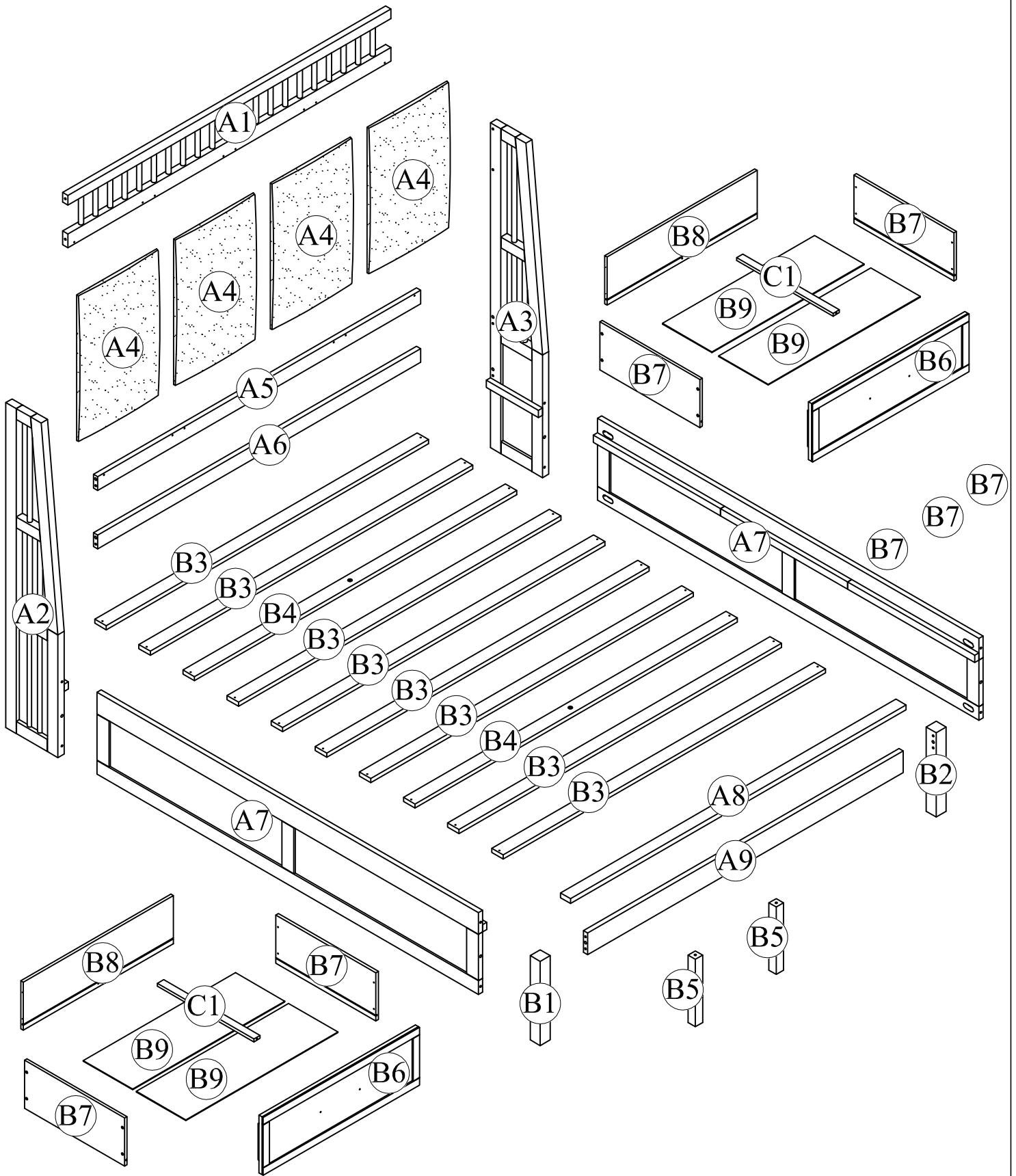


# ASSEMBLY INSTRUCTION

SKU CODE: (WF324662-WF324663)

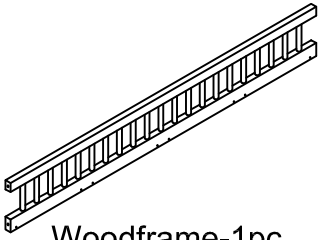


# ASSEMBLY INSTRUCTION



# Part List (Box 1-WF324662)

A1



Woodframe-1pc

A2



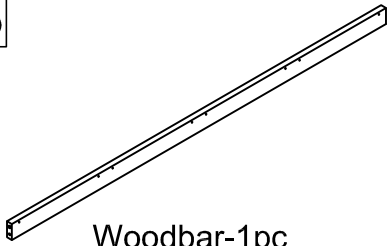
Woodframe-1pc

A3



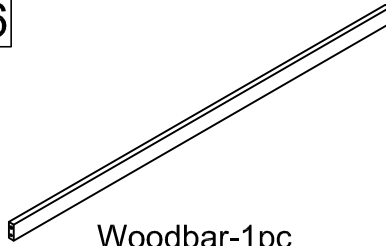
Woodframe-1pc

A5



Woodbar-1pc

A6



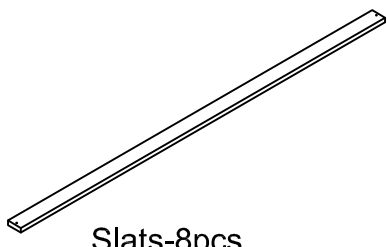
Woodbar-1pc

A9



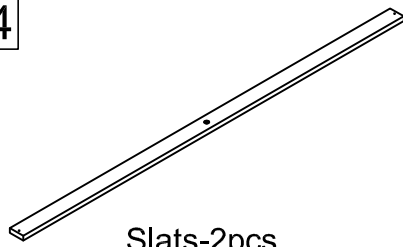
Woodbar-1pc

B3



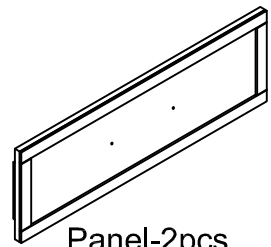
Slats-8pcs

B4



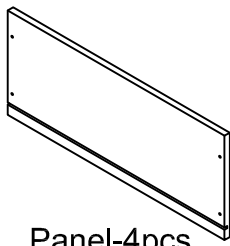
Slats-2pcs

B6



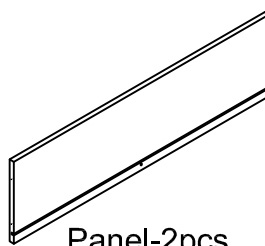
Panel-2pcs

B7



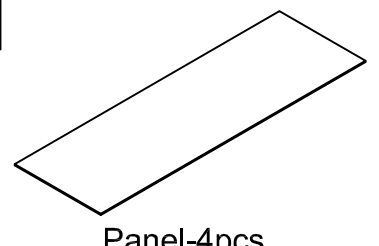
Panel-4pcs

B8



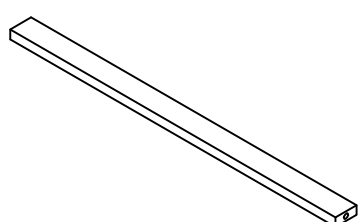
Panel-2pcs

B9



Panel-4pcs

C1



Woodbar-2pcs

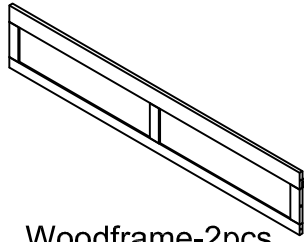
# Part List & Hardware List (Box 2-WF324663)

A4



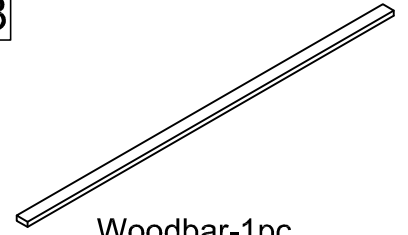
Mattress frame-4pcs

A7



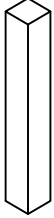
Woodframe-2pcs

A8



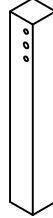
Woodbar-1pc

B1



Woodleg-1pc

B2



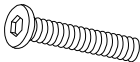
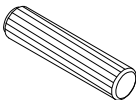
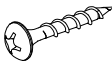
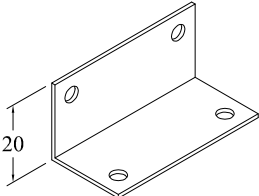

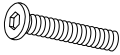
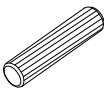
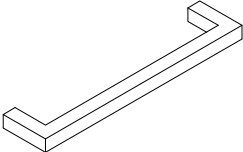
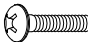
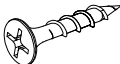
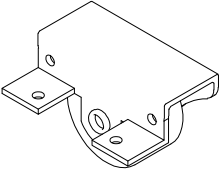

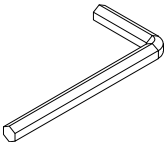
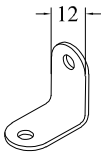

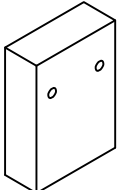
Woodleg-1pc

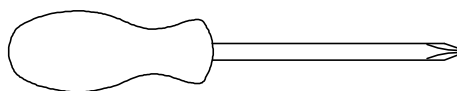
B5



Woodbar-2pcs

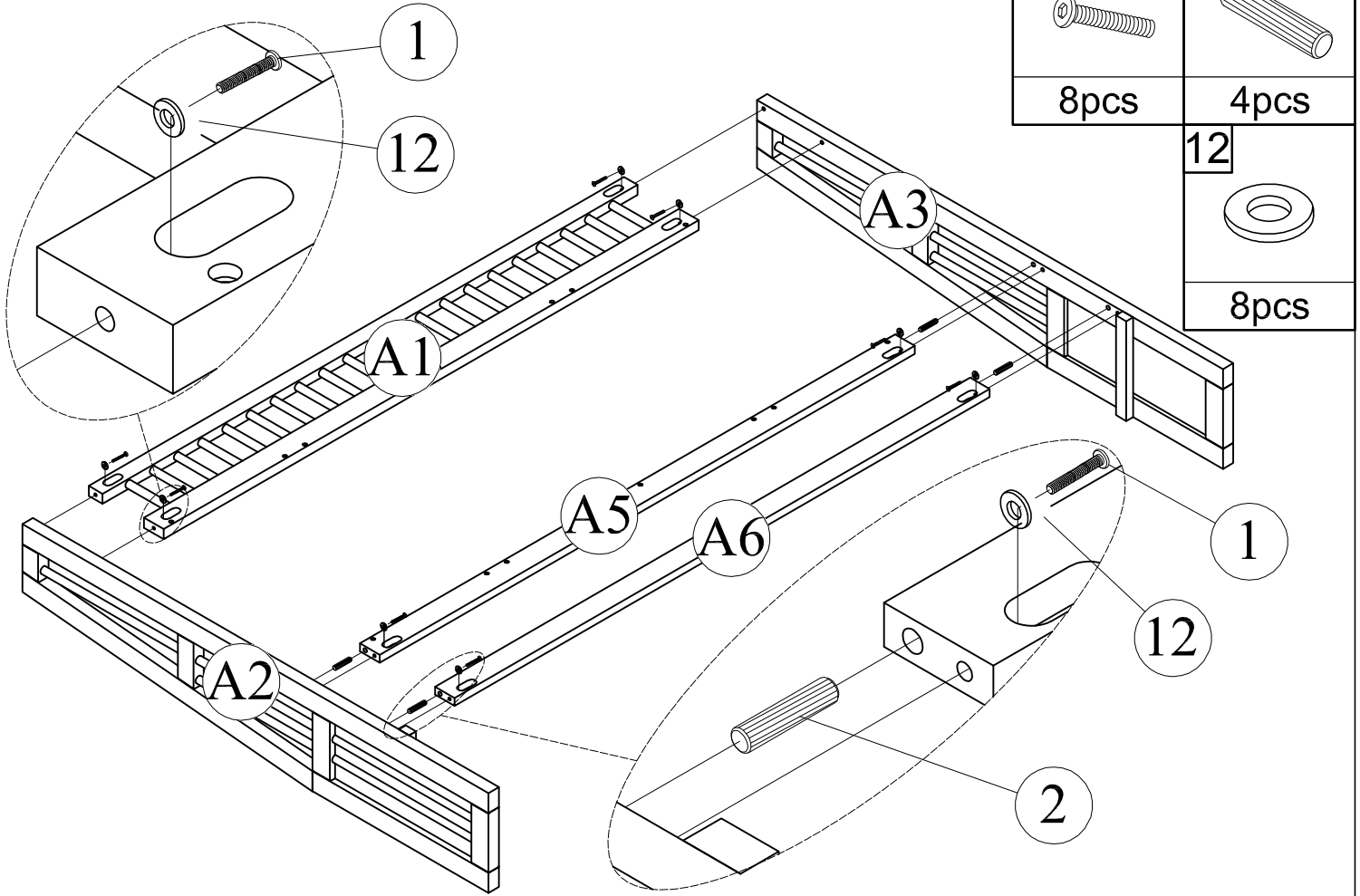
# Hardware List (Box 2-WF324663)

<p>1</p>  <p>Ø1/4" x 40 mm Hex-Head bolts 20pcs</p>	<p>2</p>  <p>Ø10 x 40 mm Wood dowel 12pcs</p>	<p>3</p>  <p>M4 x 15 mm Wood Screws 12pcs</p>
<p>4</p>  <p>Angle Metal - 3pcs</p>	<p>5</p>  <p>M4 x 30 mm Wood Screws 60pcs</p>	<p>6</p>  <p>Ø1/4" x 30 mm Hex-Head bolts 2pcs</p>
<p>7</p>  <p>Ø6 x 30 mm Wood dowel 2pcs</p>	<p>8</p>  <p>Metal Handle 2pcs</p>	<p>9</p>  <p>Bolt Ø1/6" x 20 mm 4pcs</p>
<p>10</p>  <p>M3.5 x 15 mm Wood Screws 32pcs</p>	<p>11</p>  <p>Wheels - 8pcs</p>	<p>12</p>  <p>Washer Ø6 x 16 20pcs</p>
<p>13</p>  <p>Allen Key 1pc</p>	<p>14</p>  <p>Angle part - 2pc</p>	<p>15</p>  <p>M3 x 12 mm Wood Screws 4pcs</p>
<p>16</p>  <p>Block the drawer - 3pcs</p>		

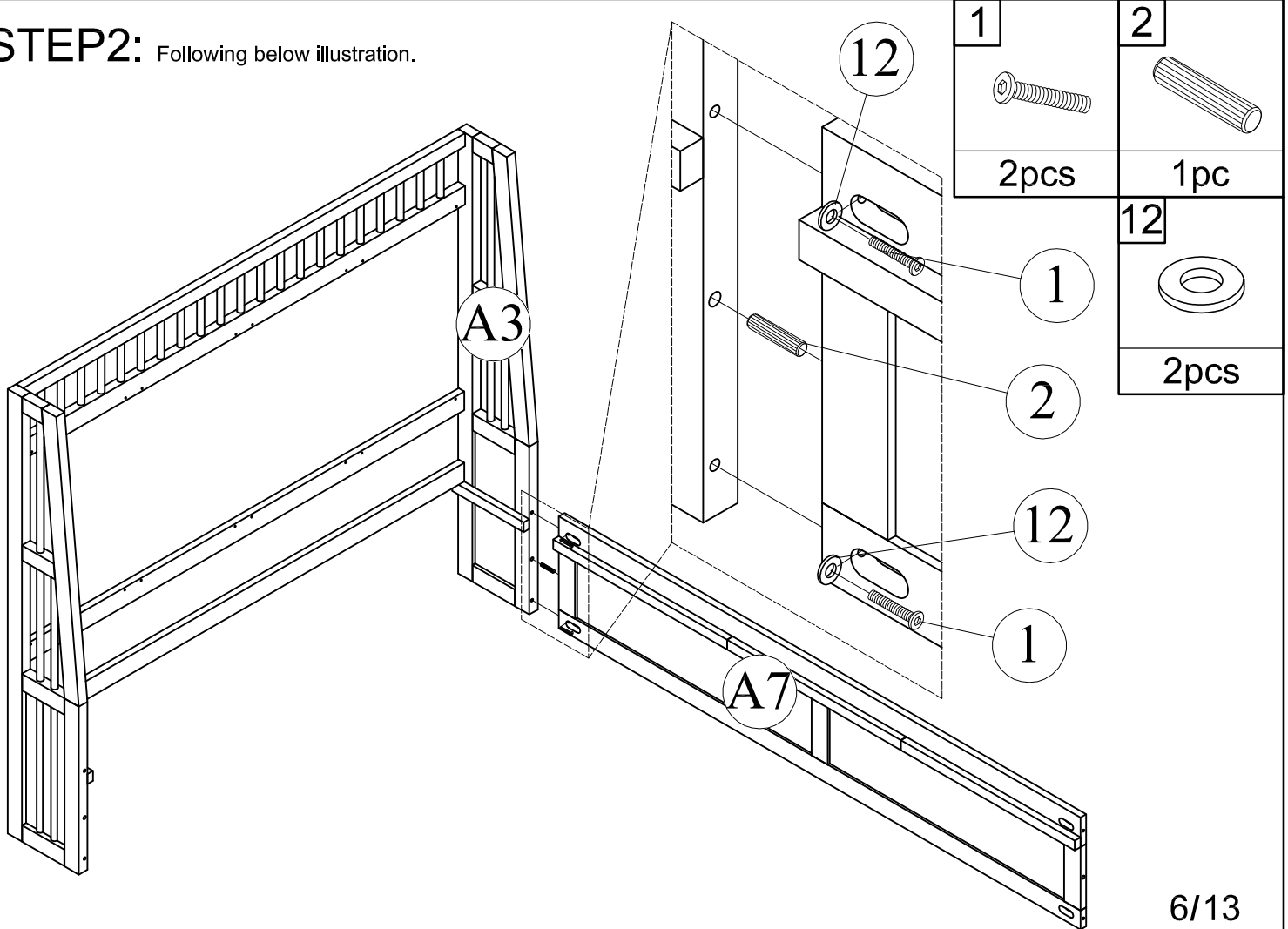


**Assembly Tools Required (Not Included)**

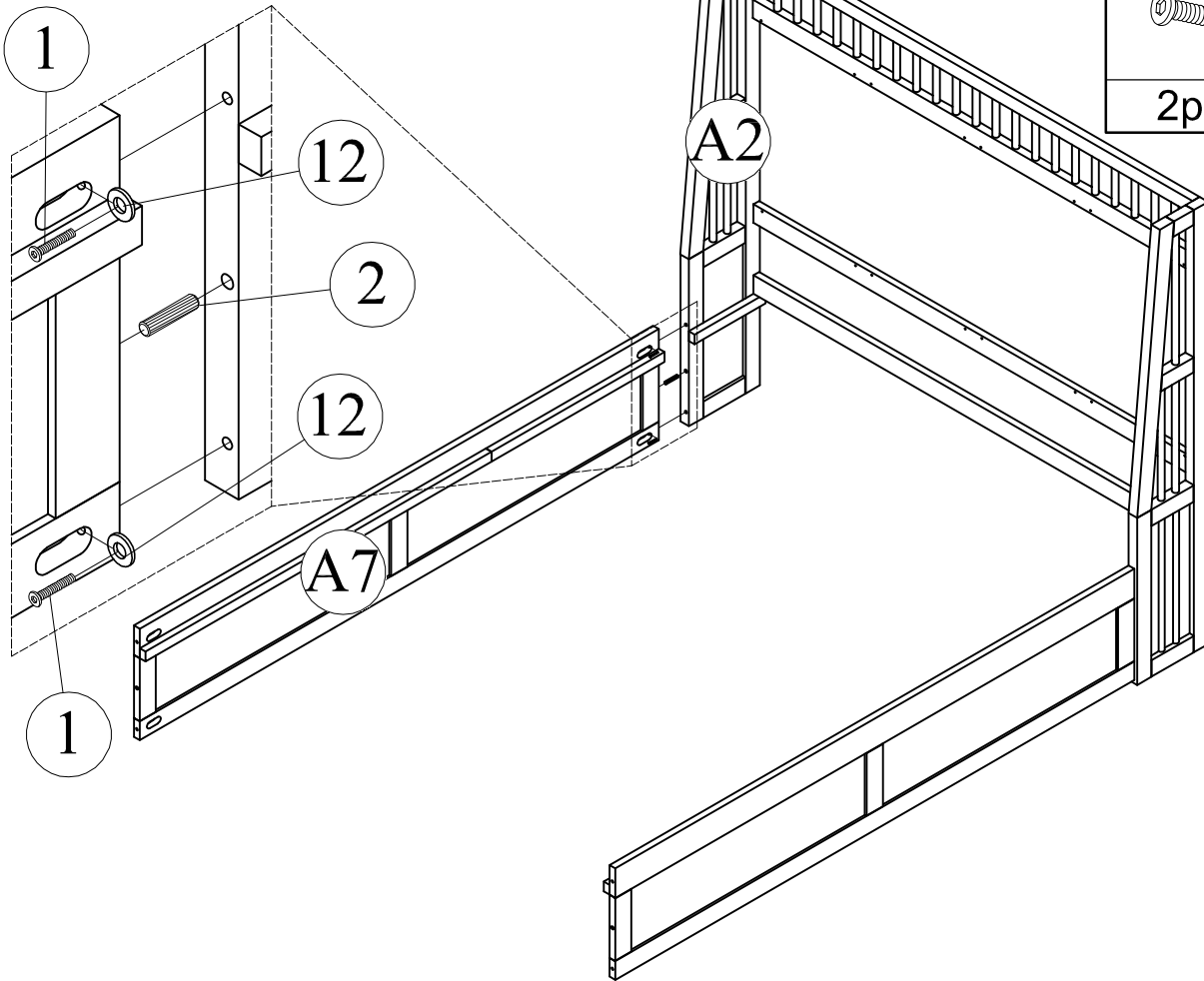
**STEP1:** Following below illustration.


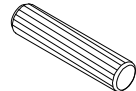



**STEP2:** Following below illustration.

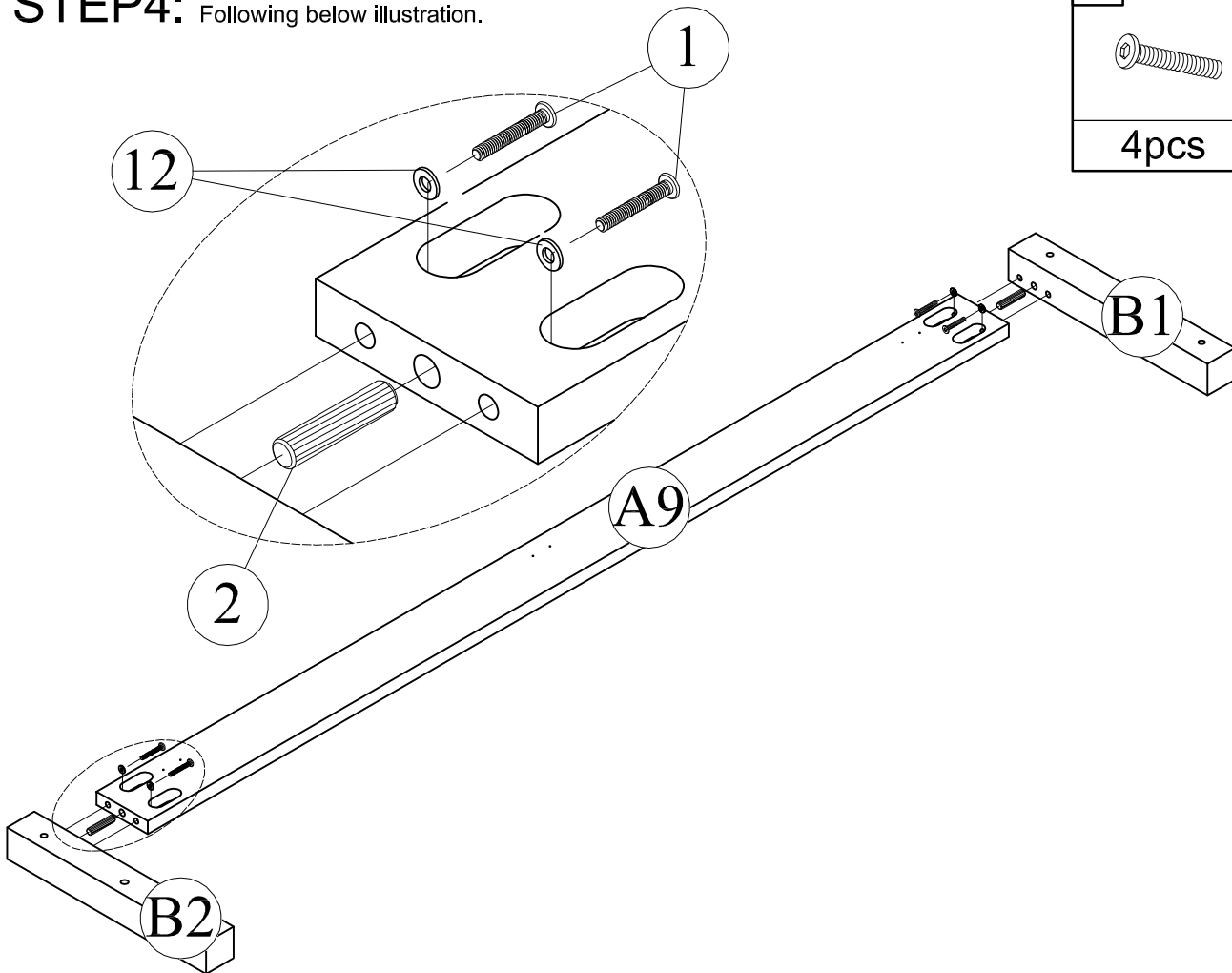



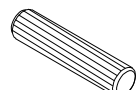

**STEP3:** Following below illustration.



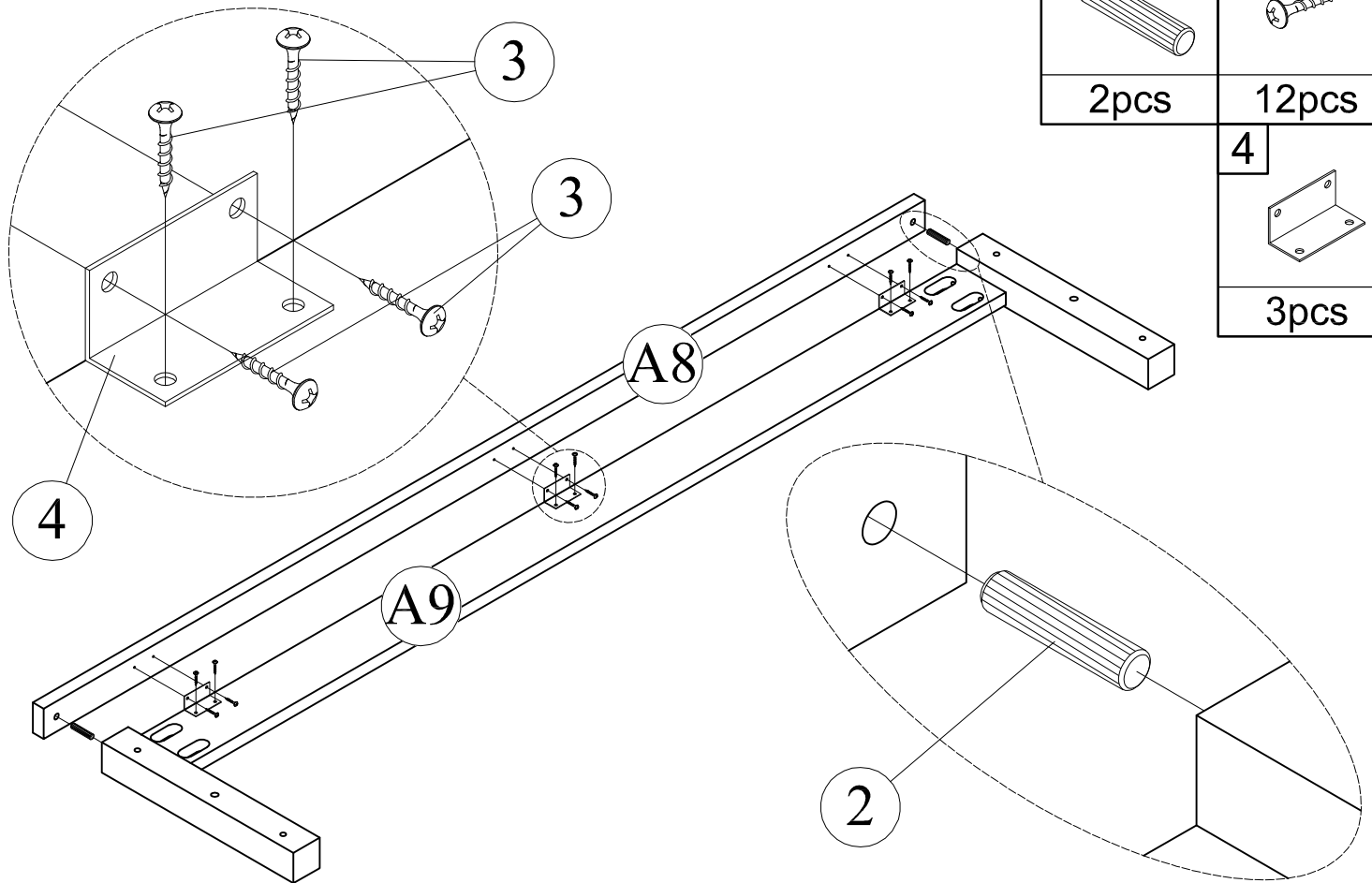
1	2
	
2pcs	1pc
12	
	2pcs

**STEP4:** Following below illustration.

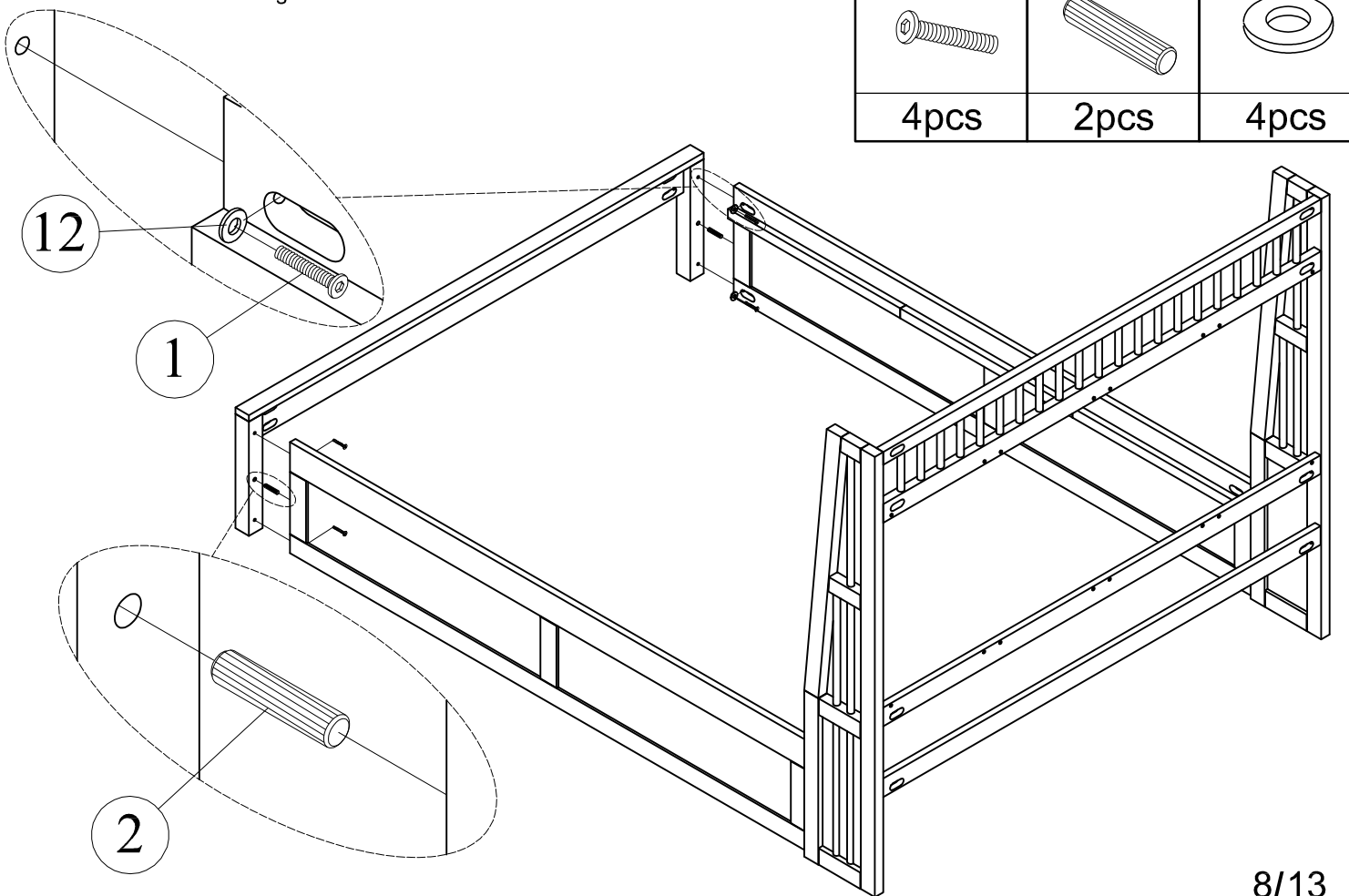


1	2
	
4pcs	2pcs
12	
	4pcs

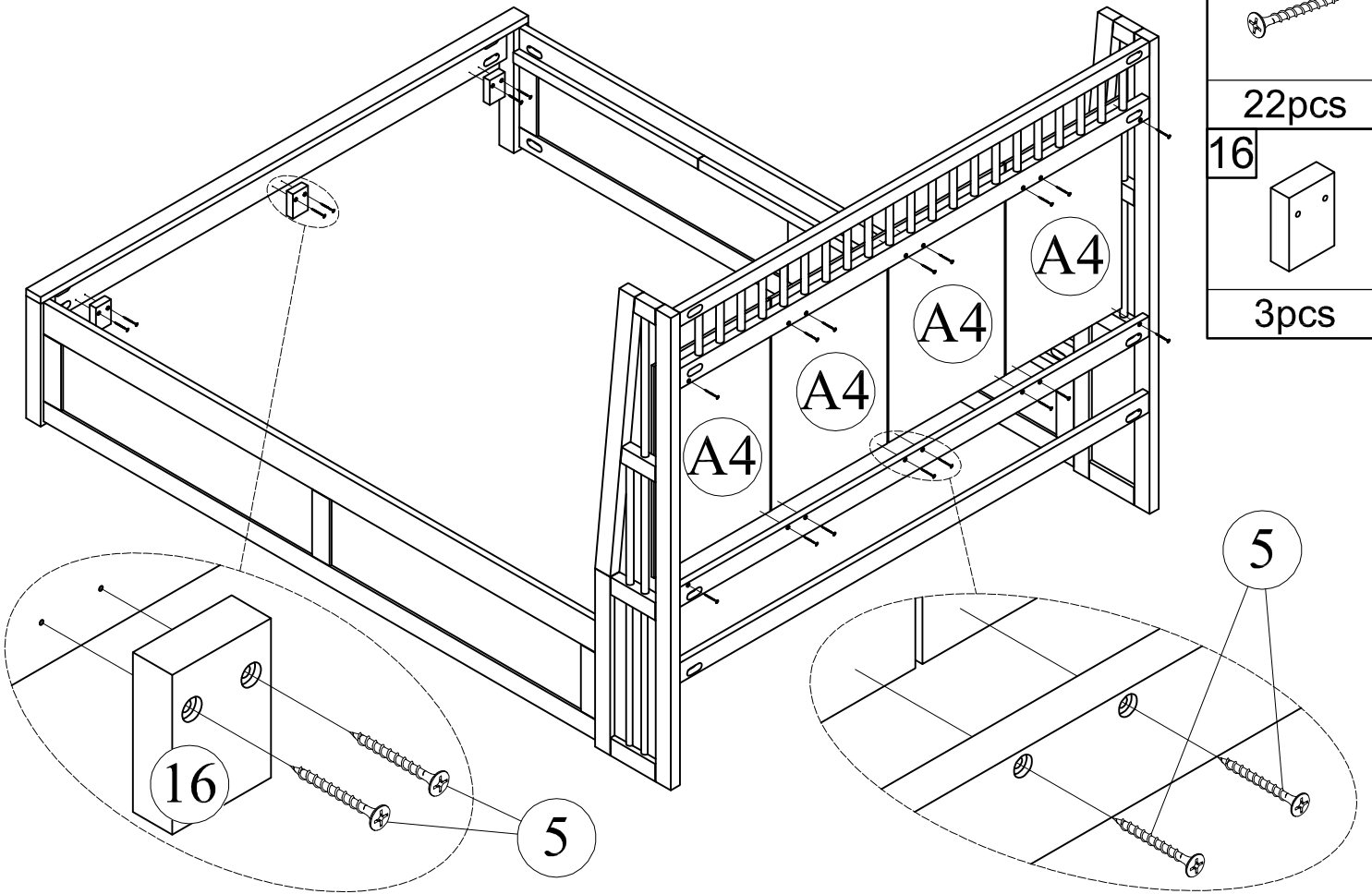
**STEP5:** Following below illustration.



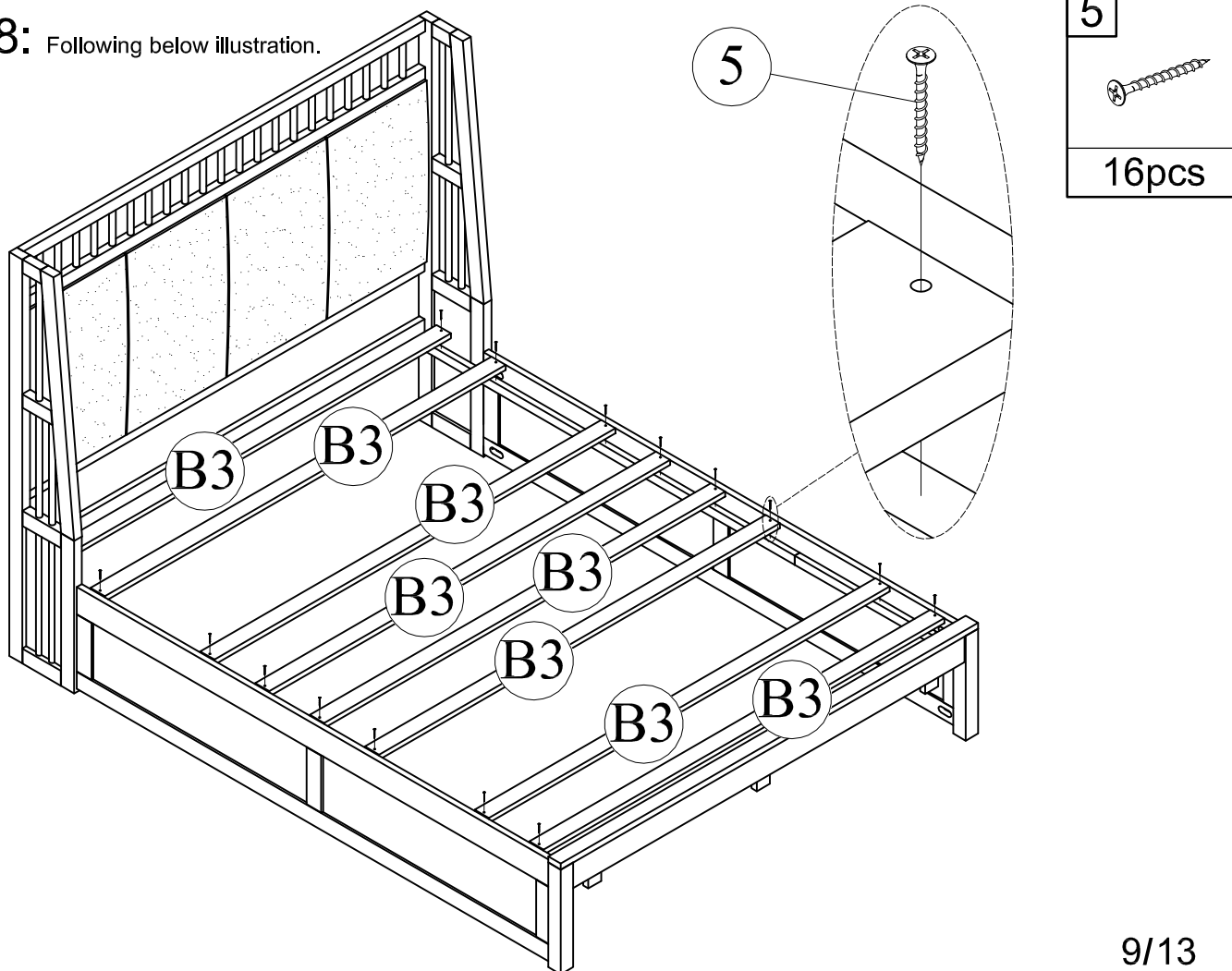
**STEP6:** Following below illustration.



**STEP7:** Following below illustration.



**STEP8:** Following below illustration.

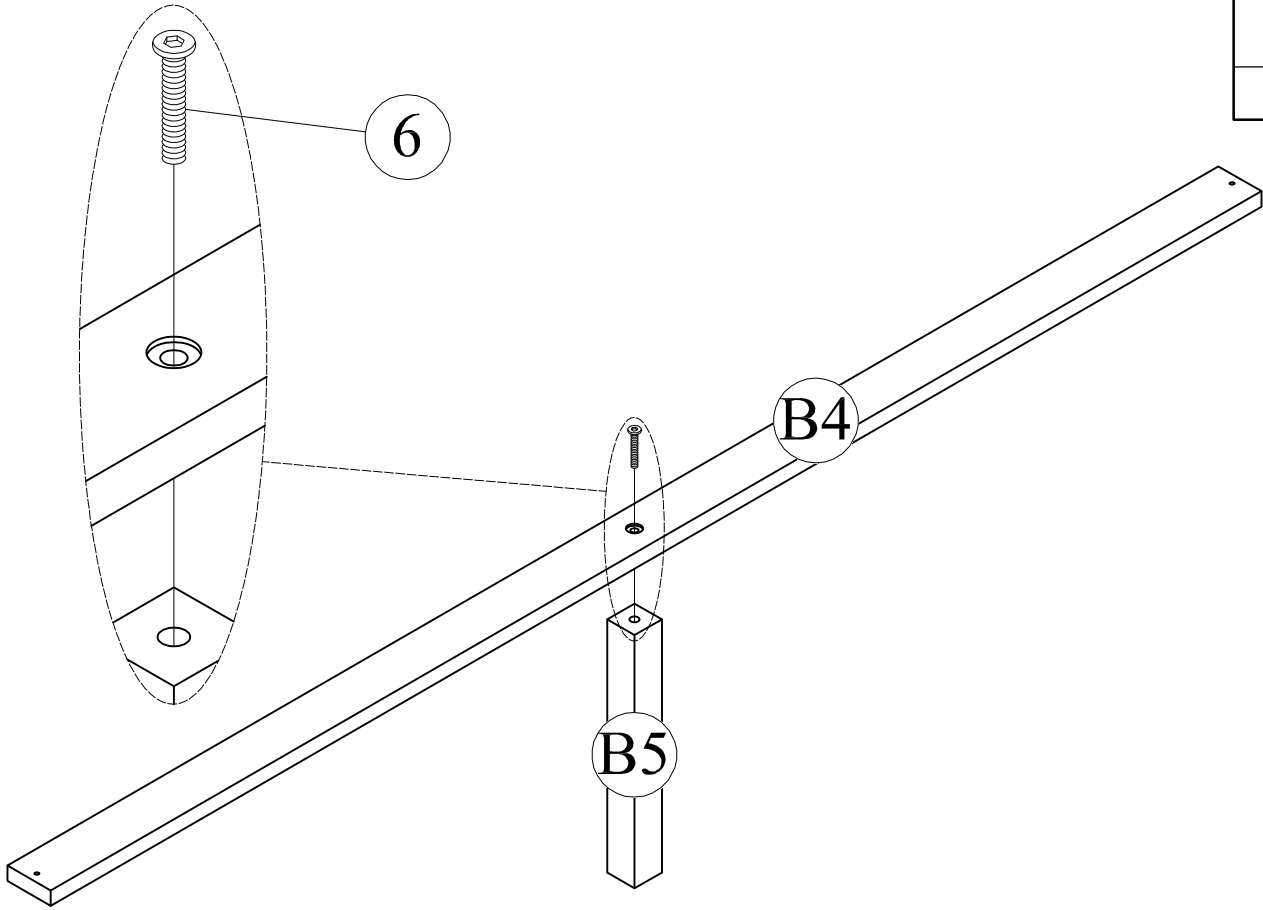


**STEP9:x2** Following below illustration.

6



2pcs

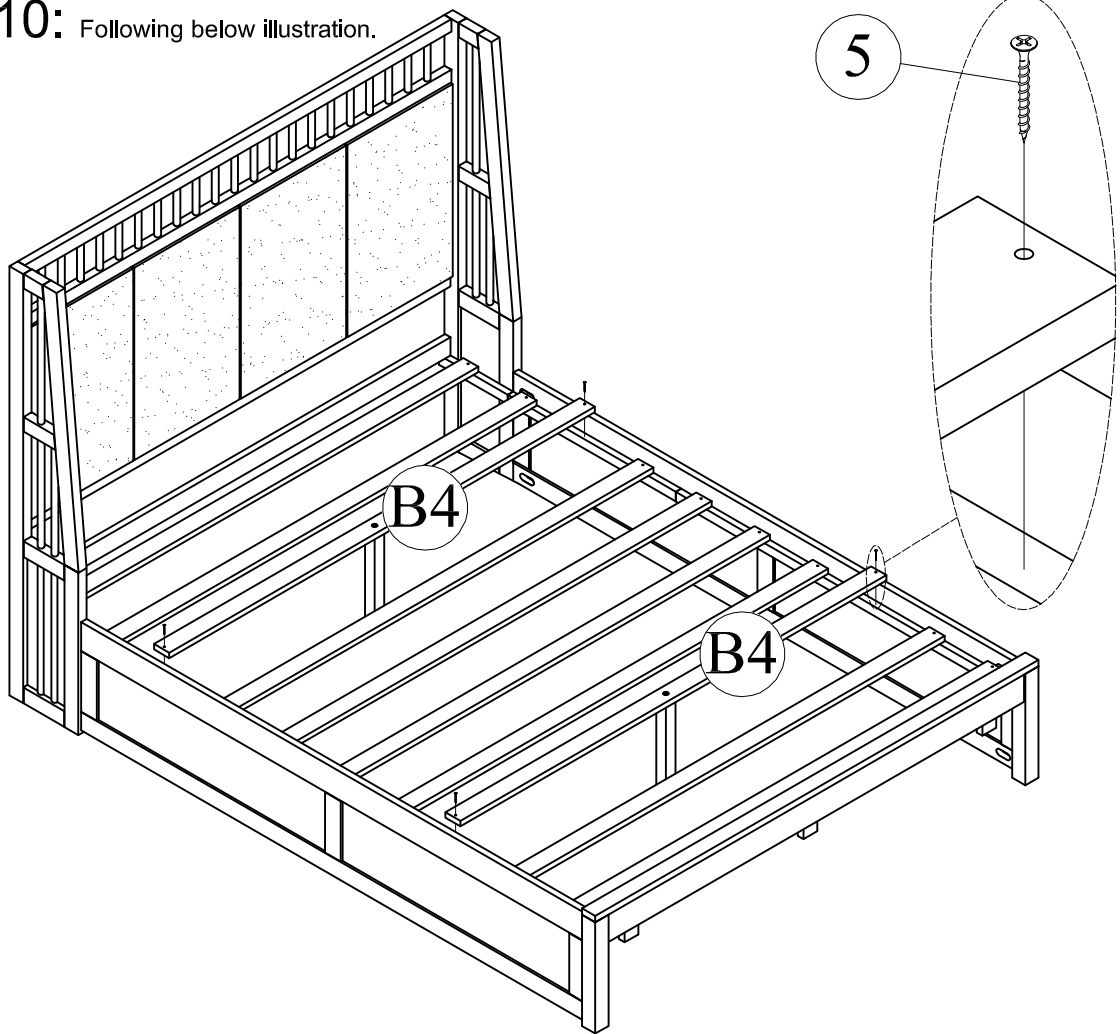


**STEP10:** Following below illustration.

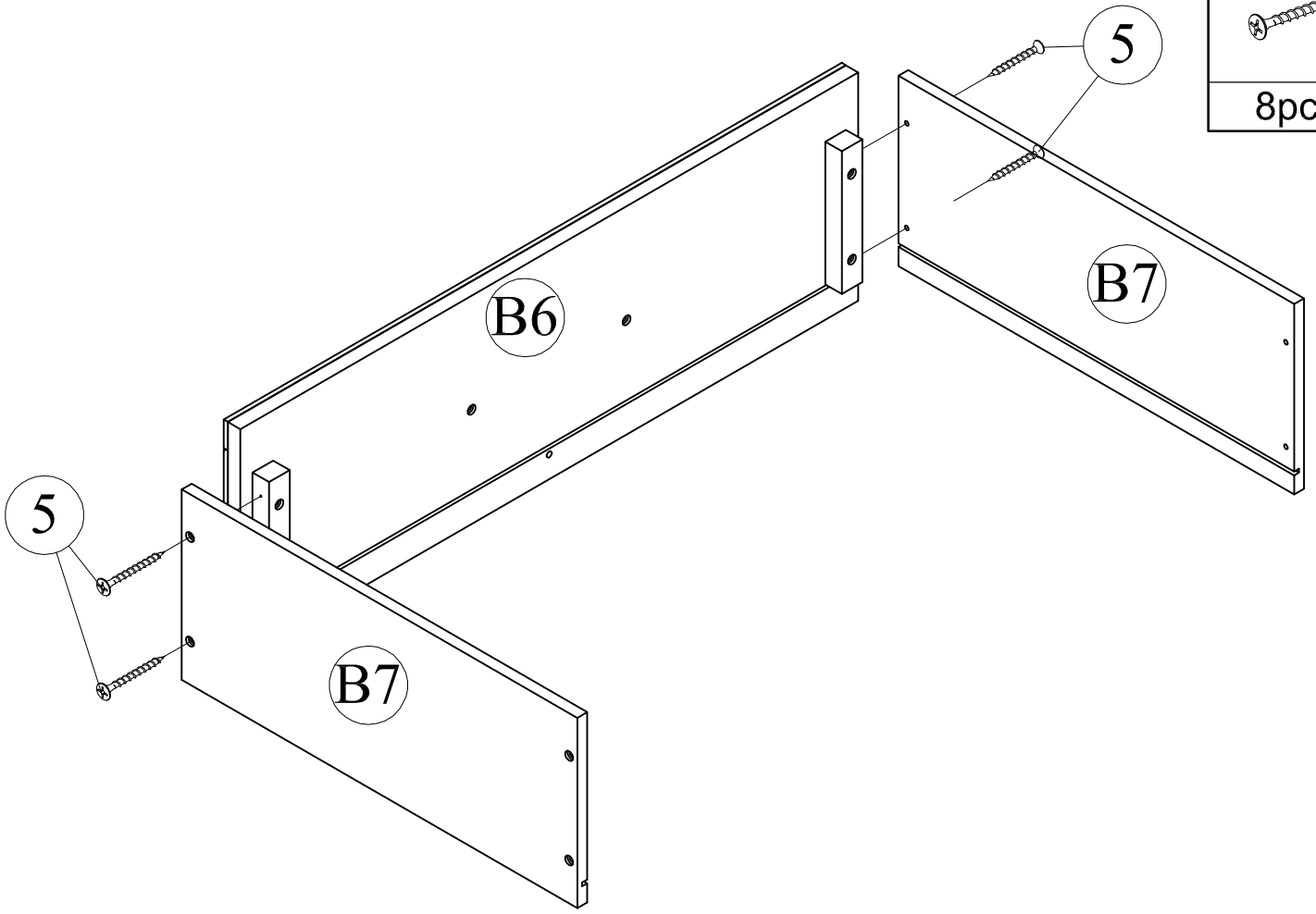
5




4pcs

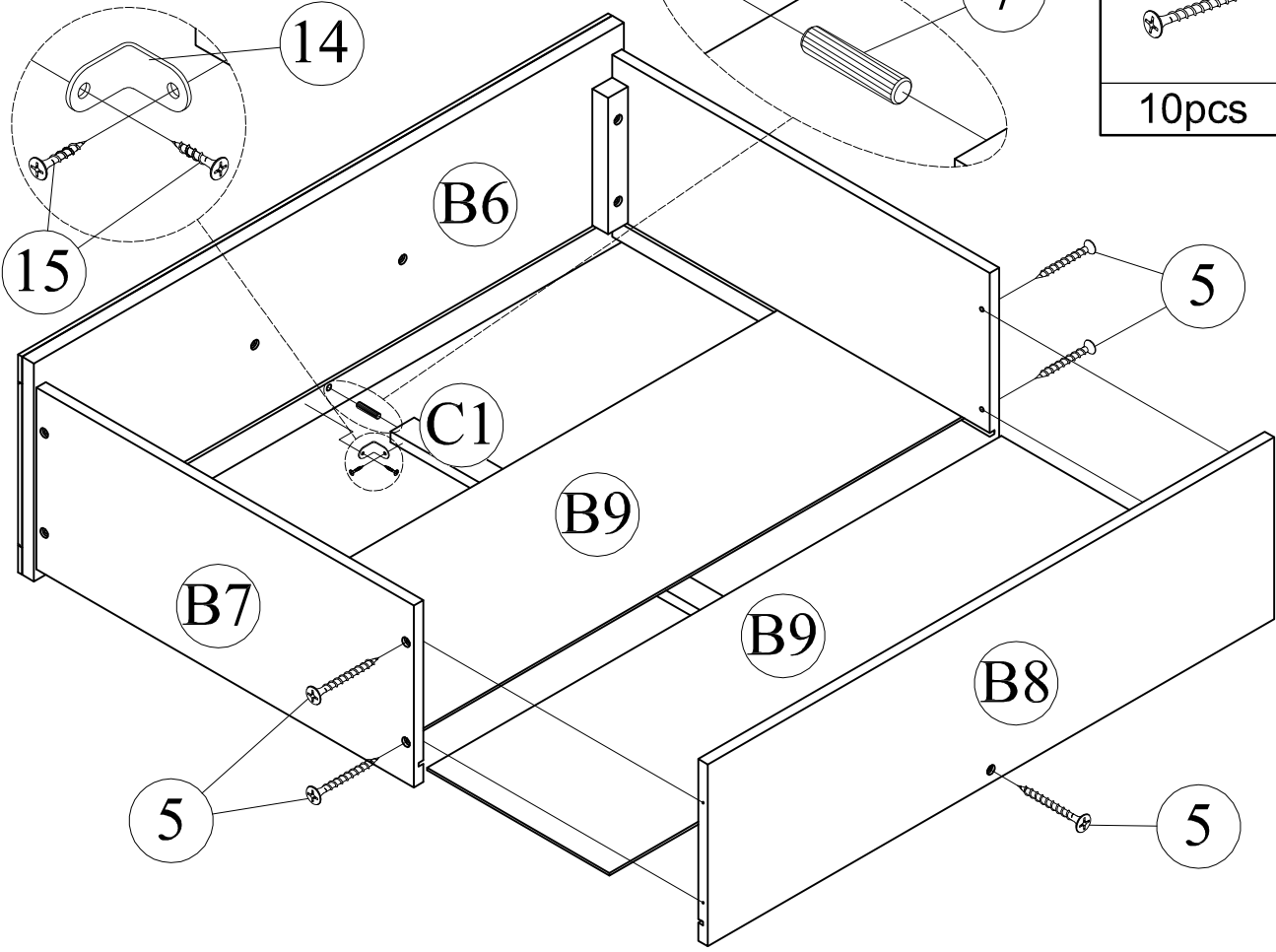



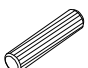


**STEP11:x2** Following below illustration.



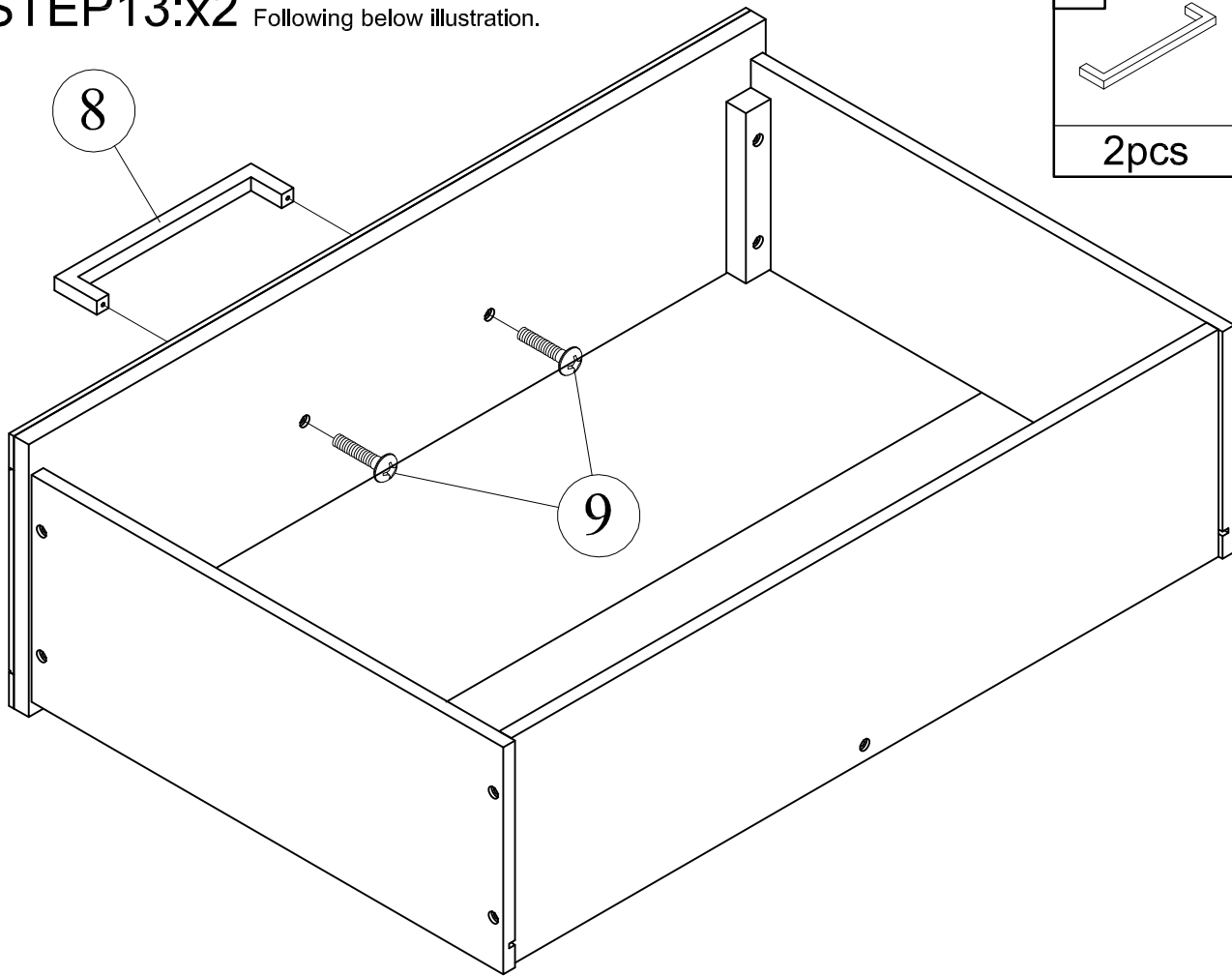
5

8pcs

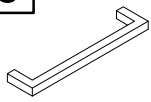
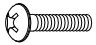
**STEP12:x2** Following below illustration.



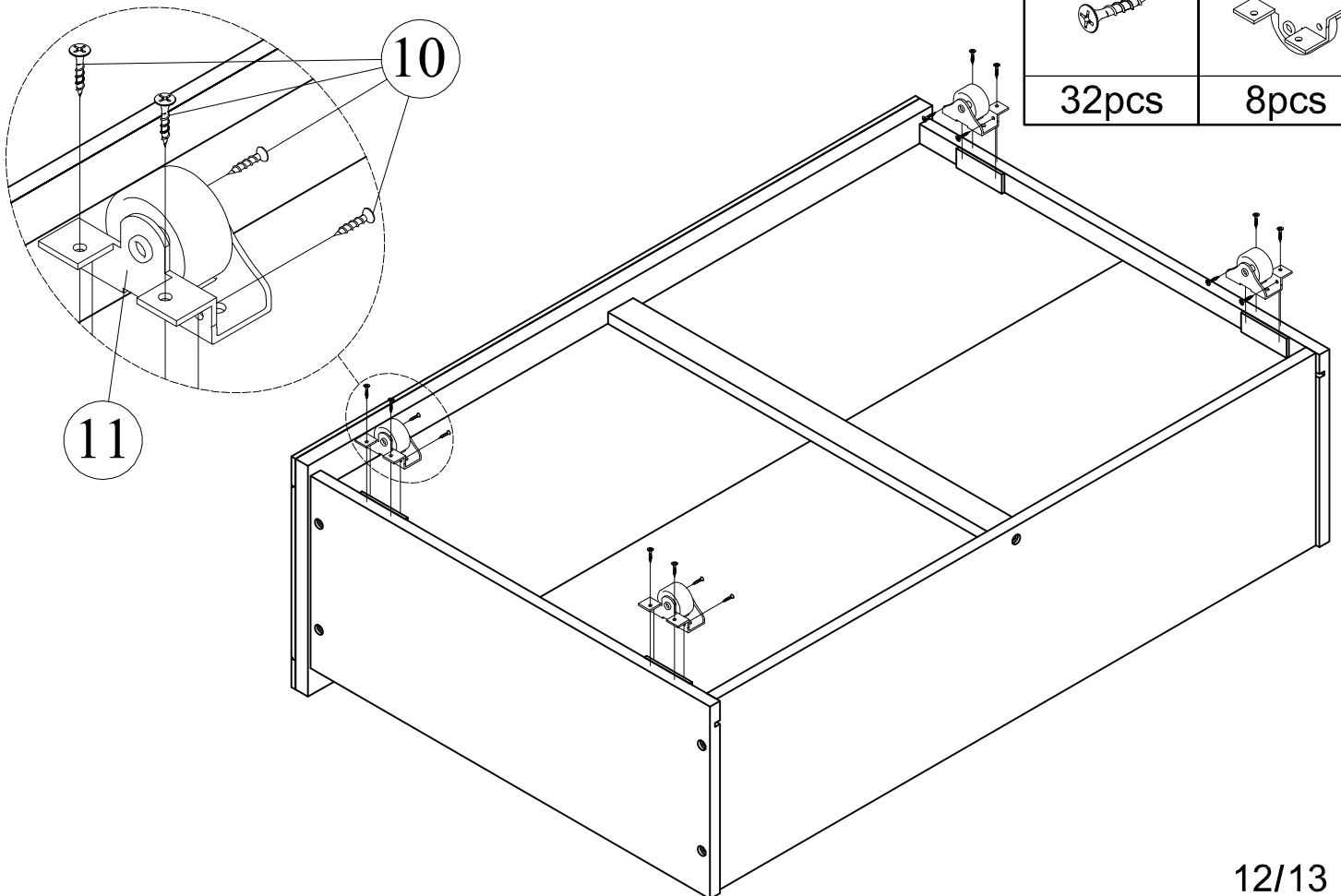
5	7
	
10pcs	2pcs
14	
	2pc
15	
	4pcs

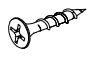
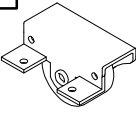
### STEP13:x2 Following below illustration.



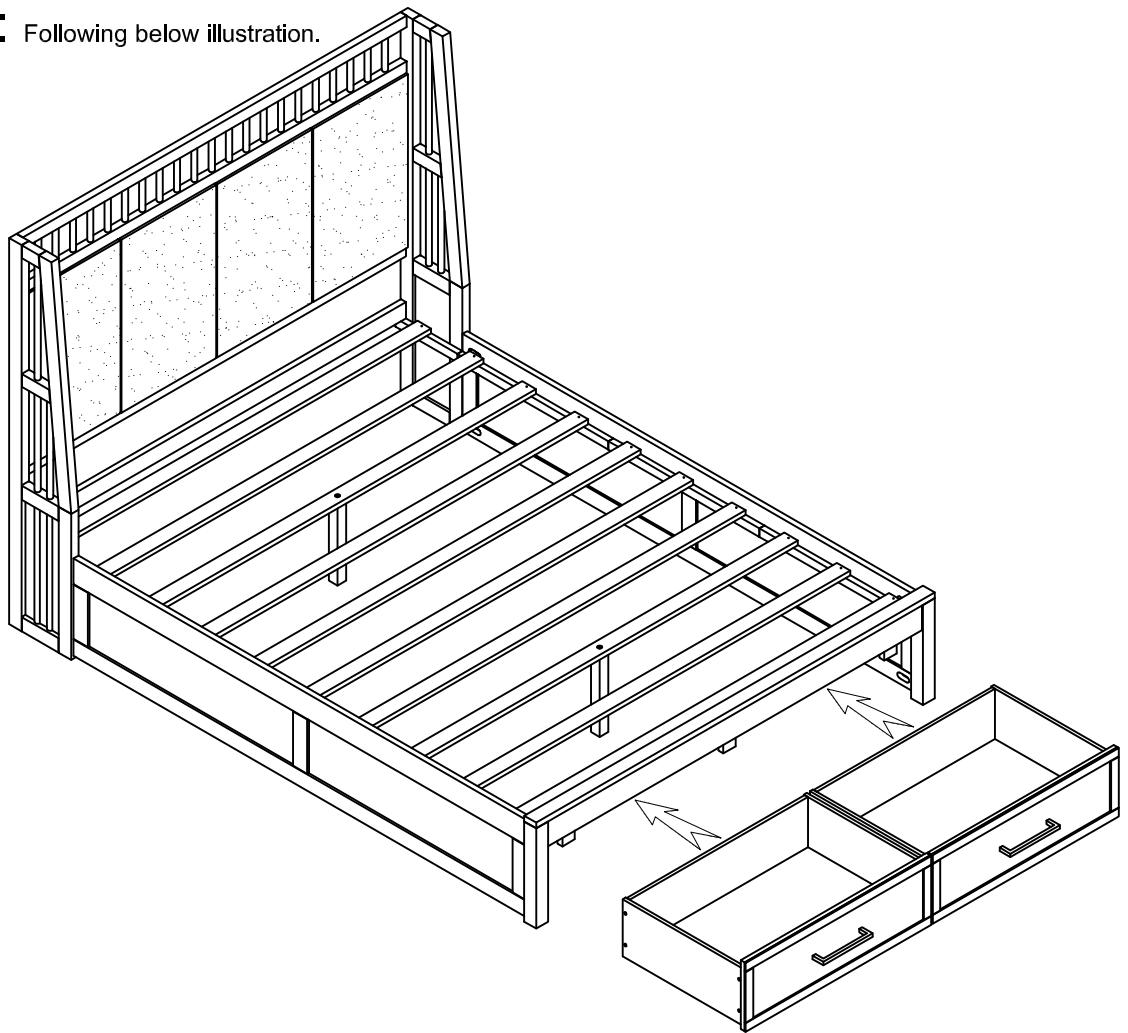
8	9
	
2pcs	4pcs

### STEP14:x2 Following below illustration.



10	11
	
32pcs	8pcs

**STEP 15:** Following below illustration.



**FINISH:**

