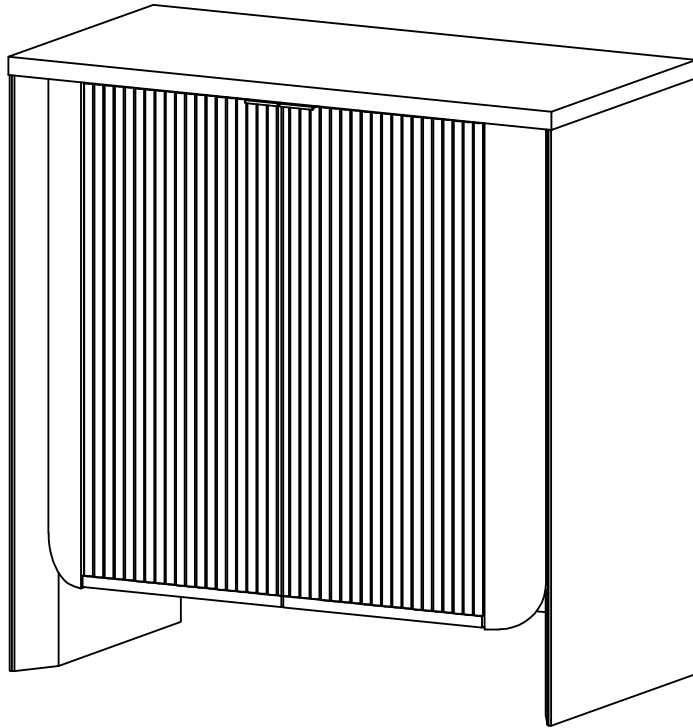


Assembly Guide

Keep manual for future reference.



Inform

Assembly Instructions

Before beginning the assembly process, please read and save these instructions for reference. Following these guidelines will ensure a smooth and successful assembly of your product secure the components without excessive tightening.

1.Part Identification:

Carefully separate and identify all the parts included in your package. Confirm that you have all the components listed in the instruction manual. This step will help you avoid any missing or misplaced parts during assembly.

2.Work Surface:

To prevent any scratches or damage to the product, assemble it on a soft mat or a similar protective surface. This will provide a cushioned area for the components and protect the surfaces from unwanted marks.

3.Step-by-Step Assembly:

Follow the assembly instructions provided, proceeding one step at a time. Take care to understand each step properly before proceeding to the next one. This sequential approach ensures that the assembly is done correctly and minimizes the chance of errors.

4.Proper Screw Seating:

all screws are correctly seated. By partially tightening each screw and nut initially, you can ensure that they are aligned properly and fit securely before final tightening.

5.Avoid Over-Tightening:

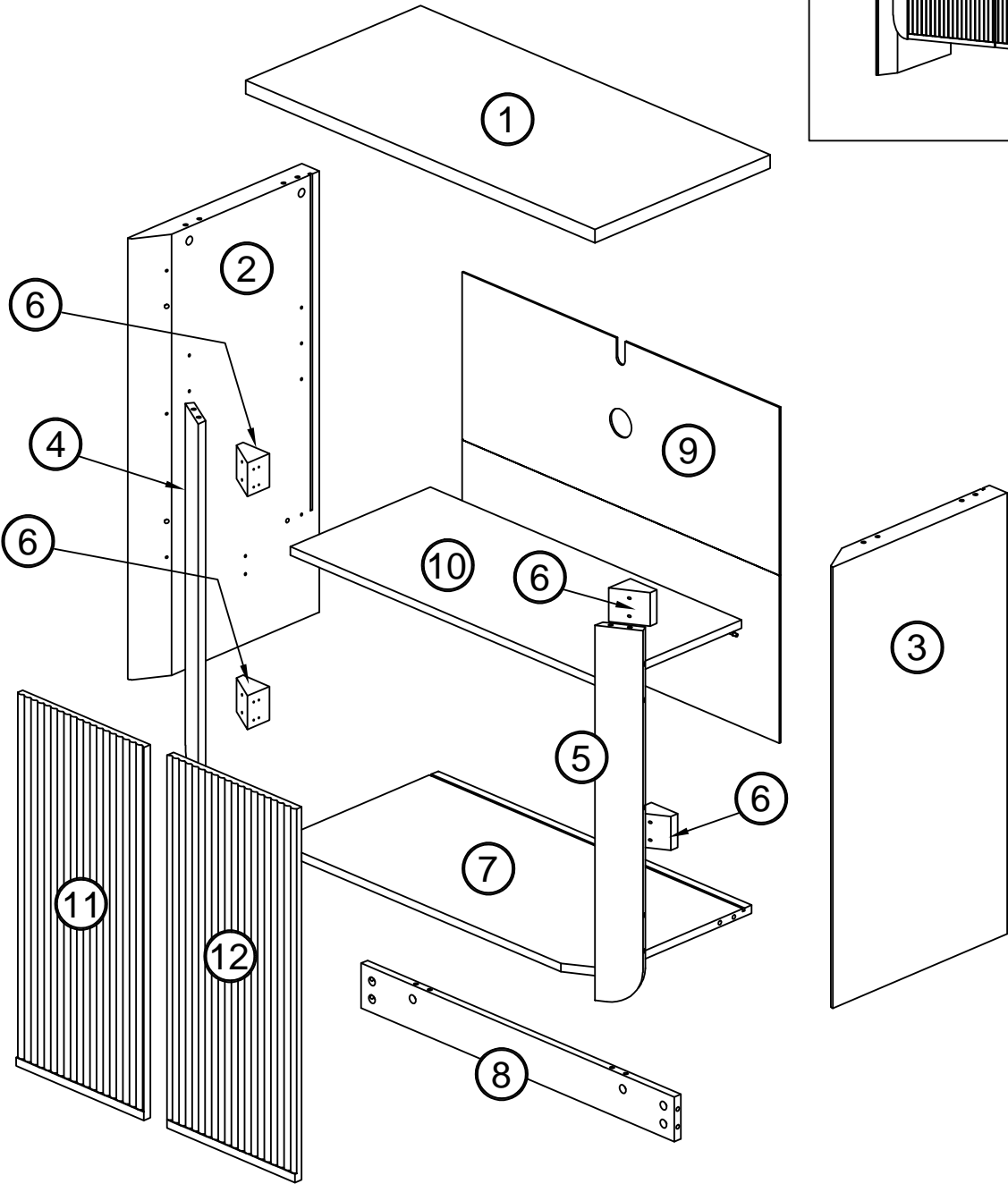
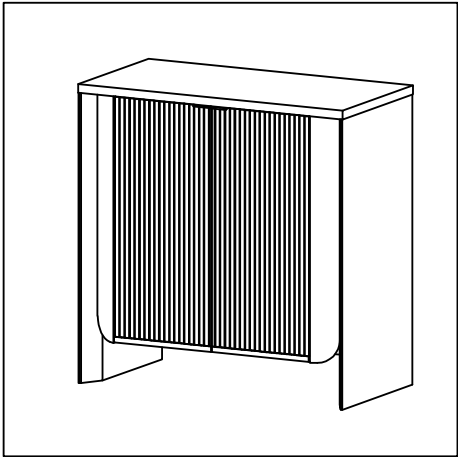
While each screw and nut should be tightened correctly, it is crucial not to over-tighten them. Over-tightening can cause damage to the product or compromise its structural integrity. Use the appropriate amount of force to secure the components without excessive tightening.

customer help center:

If you encounter any questions or problems during the assembly process, please do not hesitate to contact us.

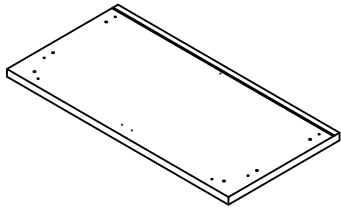
We strive to provide excellent customer support and will respond to your inquiries within 24 hours. Our team will offer you a suitable solution to address any concerns you may have.

Get to know your Boards



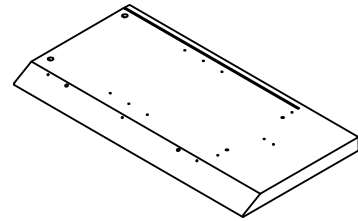
Parts List

①



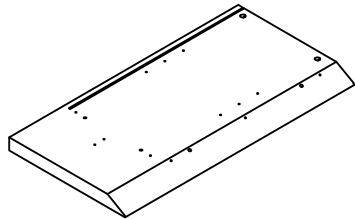
[1]

②



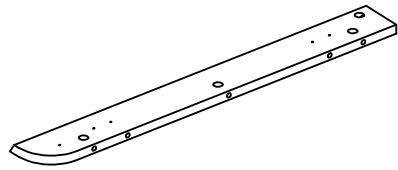
[1]

③



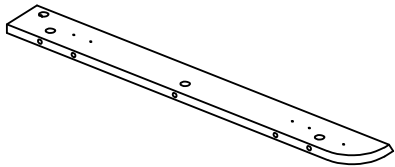
[1]

④



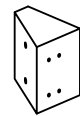
[1]

⑤



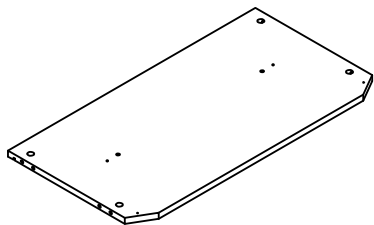
[1]

⑥



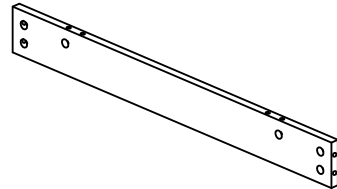
[4]

⑦



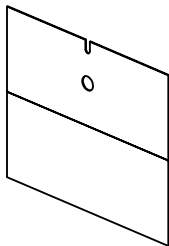
[1]

⑧



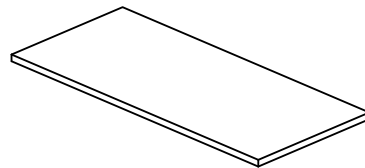
[1]

⑨



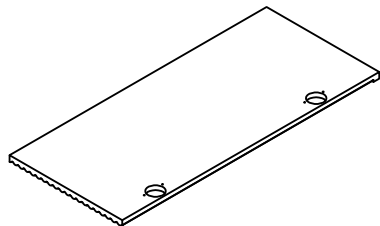
[1]

⑩



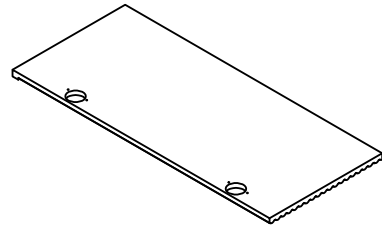
[1]

⑪



[1]

⑫

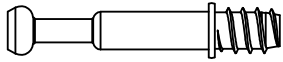


[1]

Fasteners

Fasteners are shown actual size 1:1

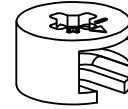
(A)



[22]

KD Bolt
M6x35mm

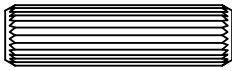
(B)



[22]

KD Cam
Ø15x9.5mm

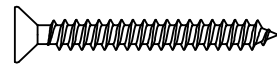
(C)



[16]

Wood Dowel
8 x 30mm

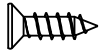
(D)



[8]

ST4x35mm

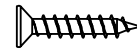
(E)



[8]

ST3.5x12mm

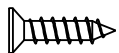
(F)



[14]

ST3.0x16mm

(G)

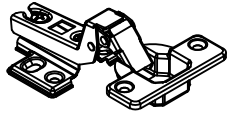


[24]

ST3.5x14mm

Get to know your Hardware

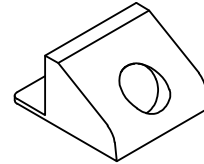
(H)



[4]

Hinge

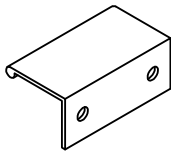
(I)



[12]

Back Clip

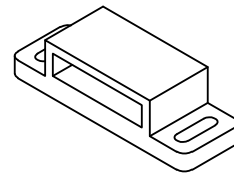
(J)



[2]

Handle

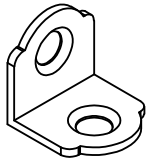
(K)



[1]

Magnet

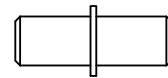
(L)



[2]

L Bracket

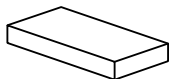
(M)



[4]

Shelf Pin

(O)

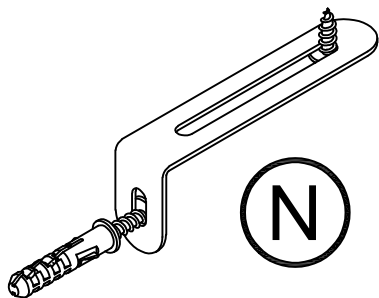


[4]

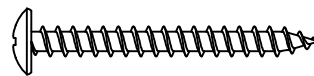
EVA Pads

Get to know your Hardware

TIP OVER RESTRAINT HARDWARE



(N1)



[1]

ST4.0x38mm

(N2)



[1]

ST4.0x12mm

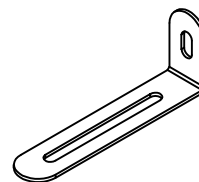
(N3)



[1]

Ø5.0x30mm

(N4)

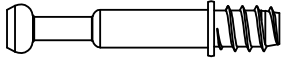


[1]

75*25*25*1mm

STEP 1

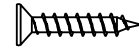
(A)



[6]

KD Bolt
M6x35mm

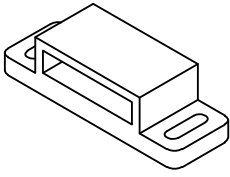
(F)



[2]

ST3.0x16mm

(K)



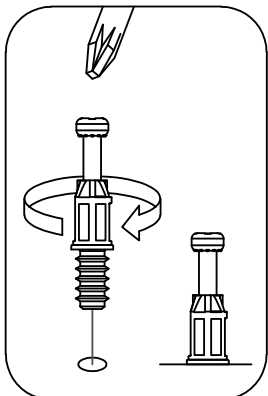
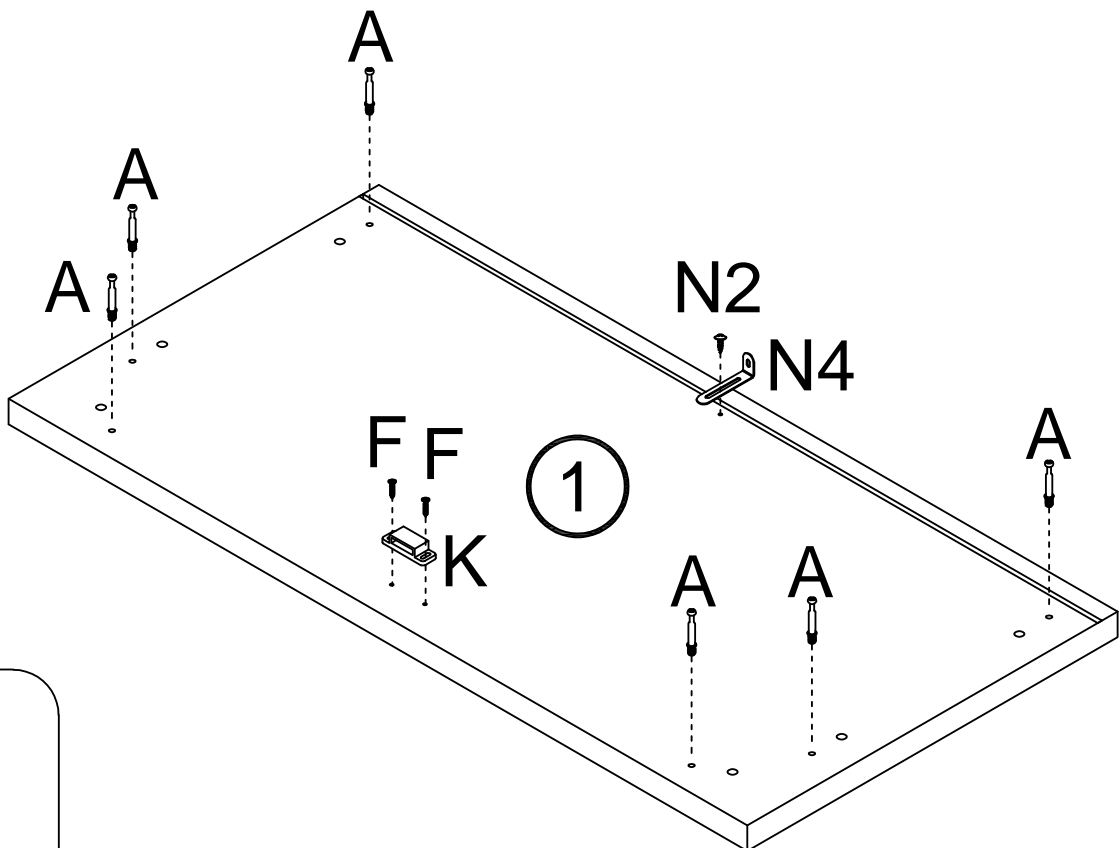
[1]

Magnet

(N)

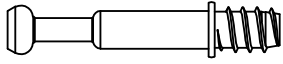


[1]



STEP 2

(A)



[7]

KD Bolt
M6x35mm

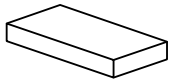
(C)



[2]

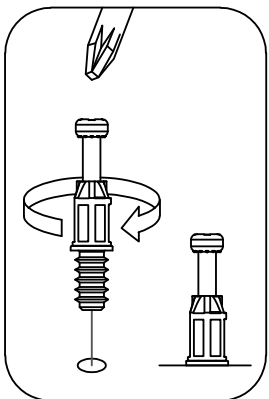
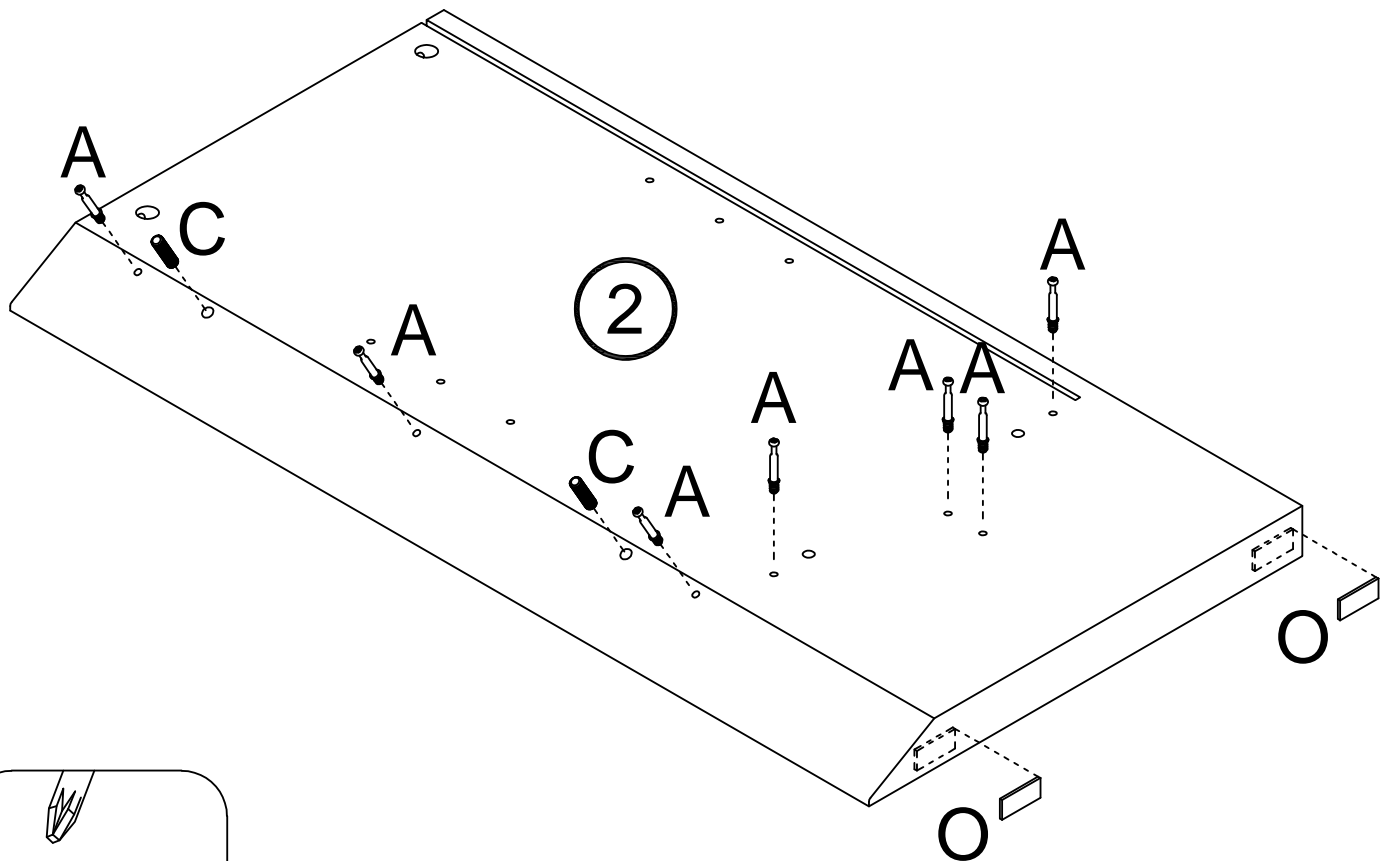
Wood Dowel
8 x 30mm

(O)



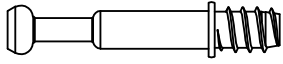
[2]

EVA Pads



STEP 3

(A)



[7]

KD Bolt
M6x35mm

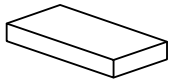
(C)



[2]

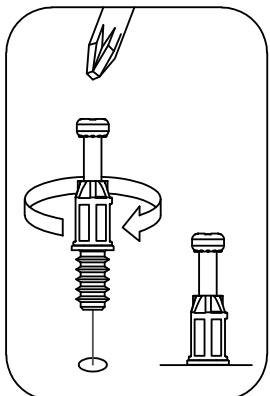
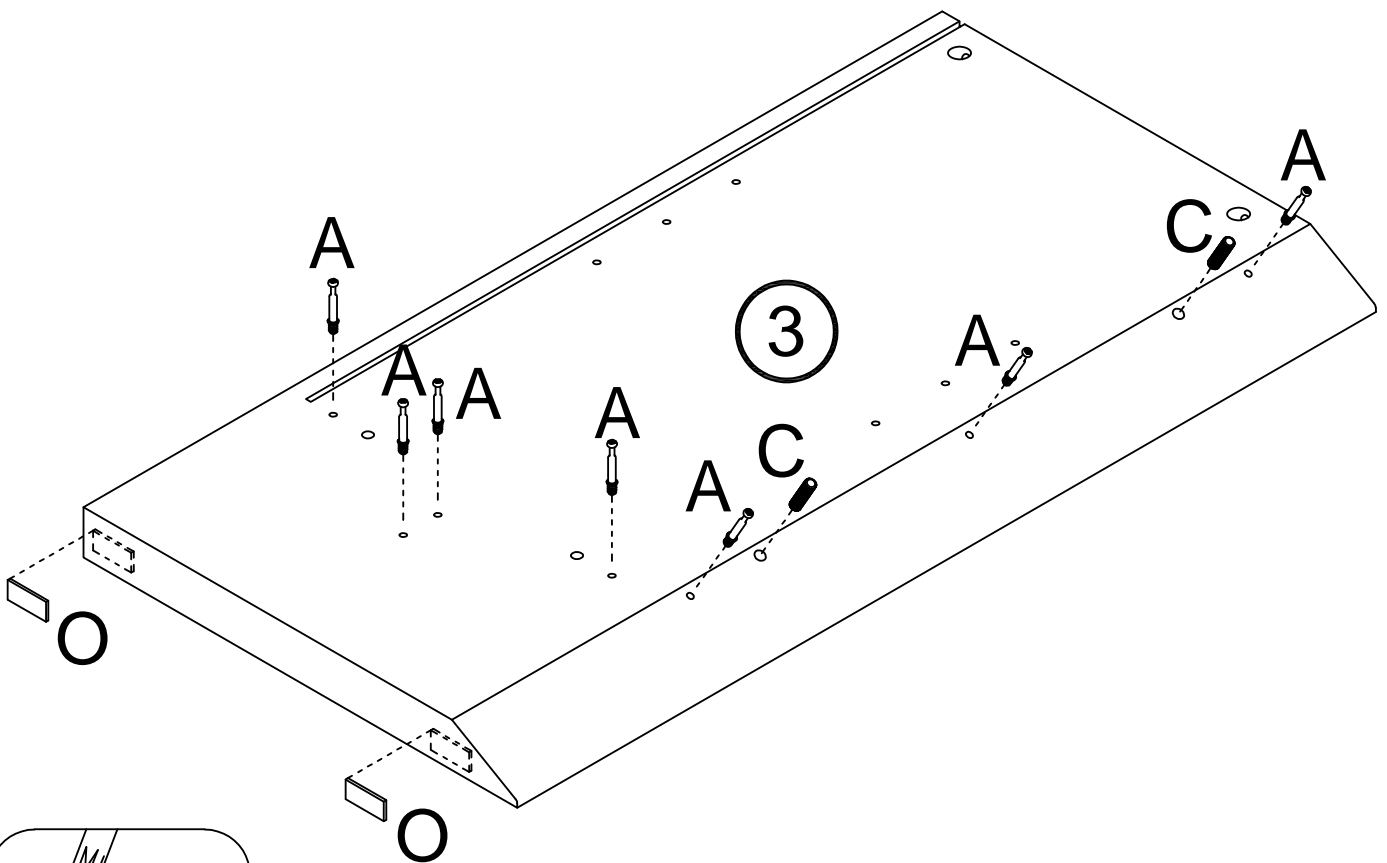
Wood Dowel
8 x 30mm

(O)



[2]

EVA Pads



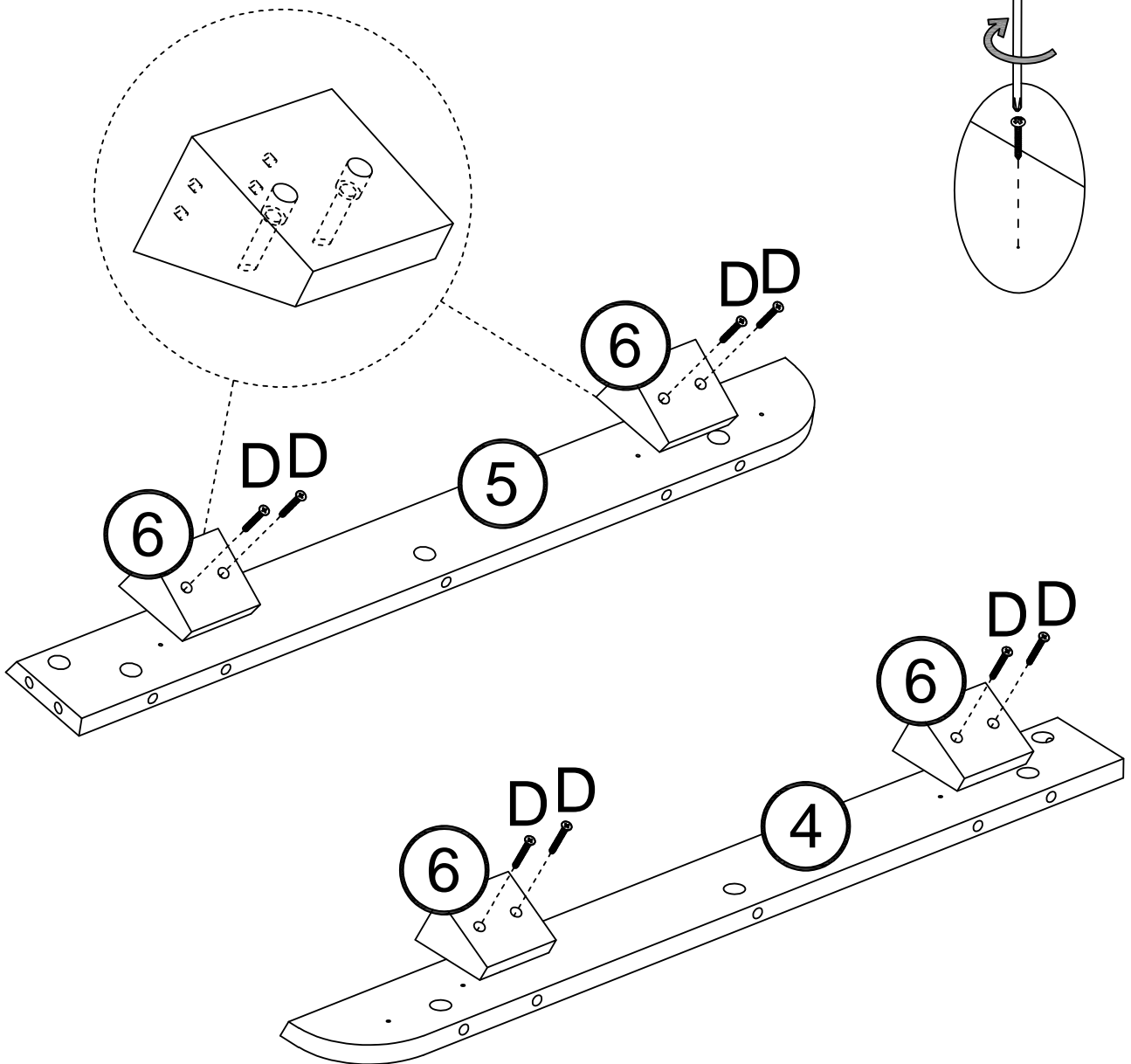
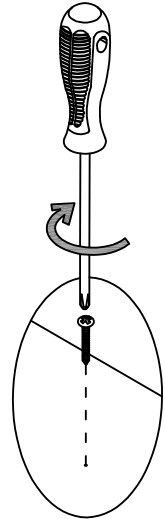
STEP 4

(D)



[8]

ST4x35mm

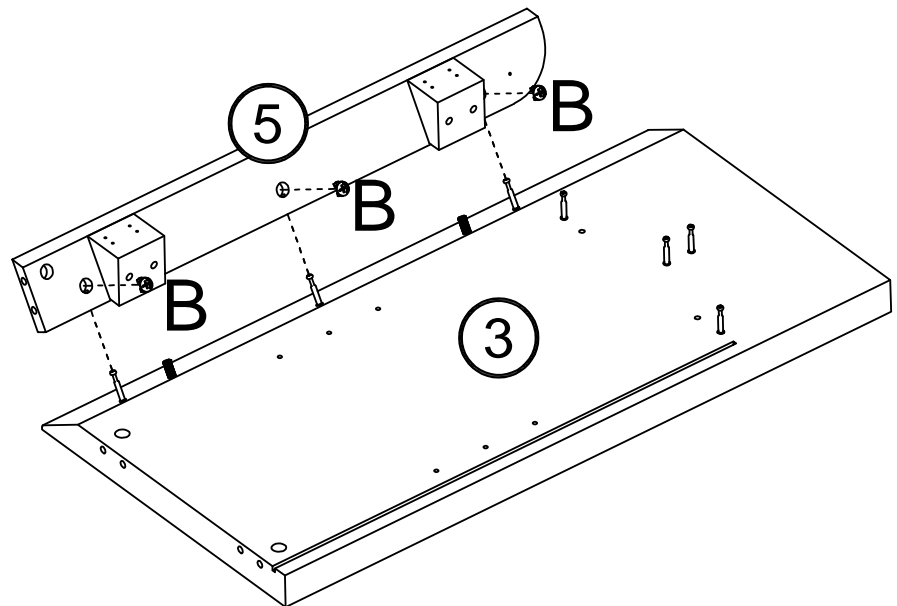
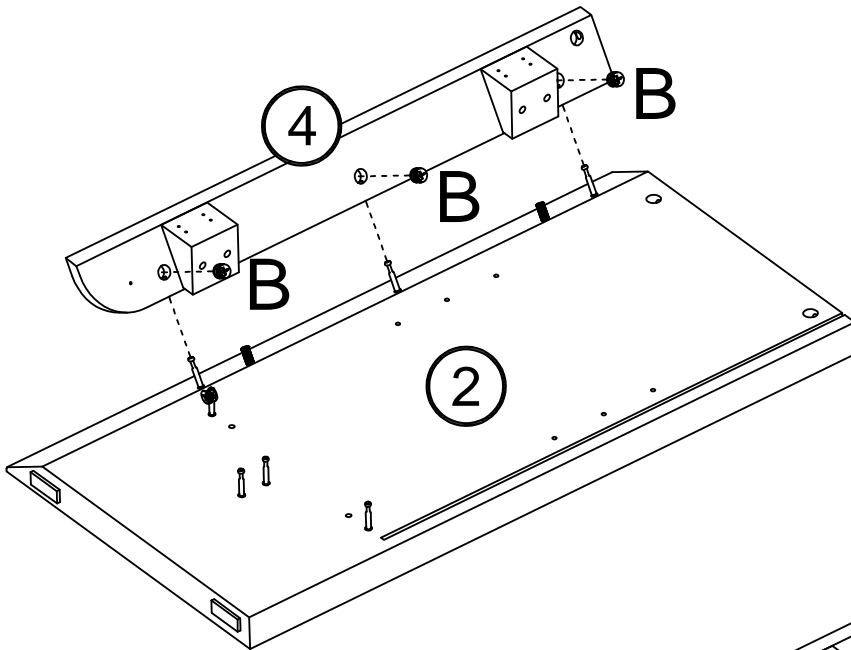
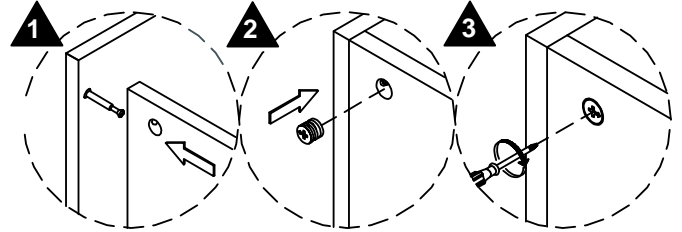


STEP 5

(B)

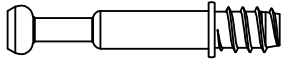


[6]



STEP 6

(A)



[2]

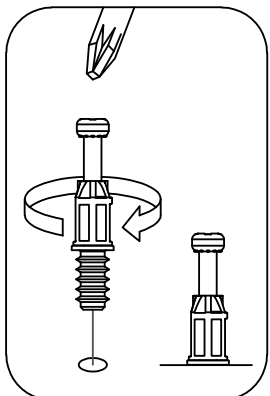
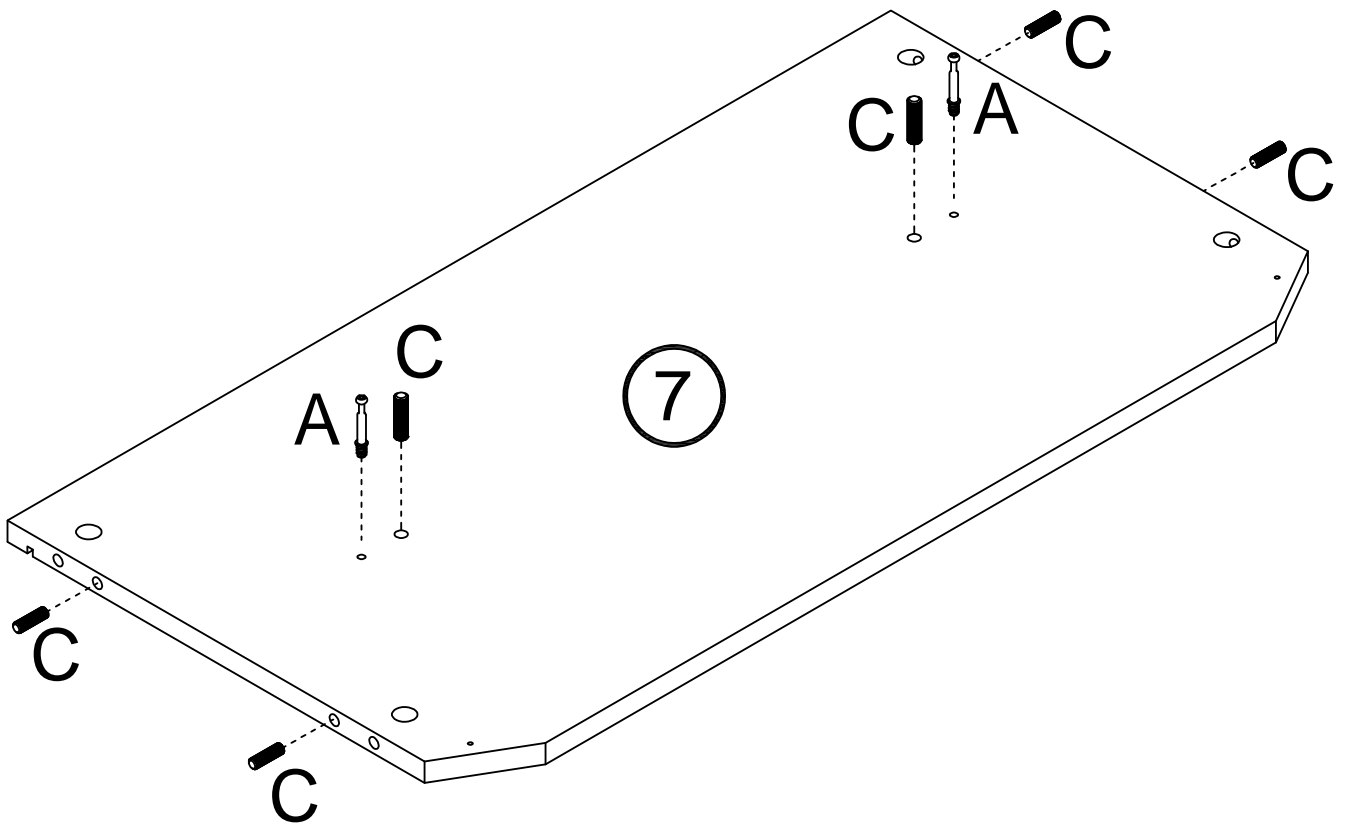
KD Bolt
M6x35mm

(C)

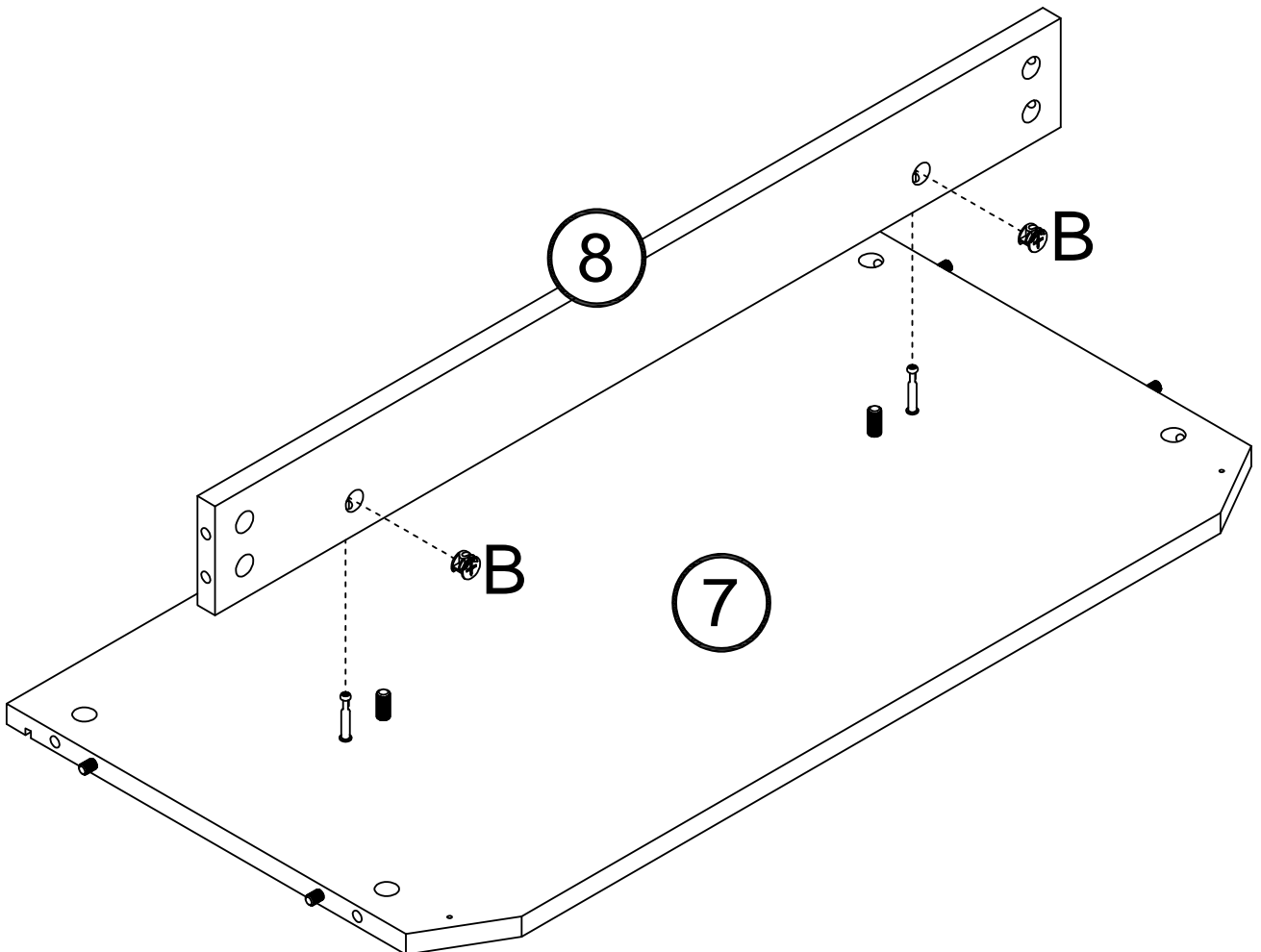
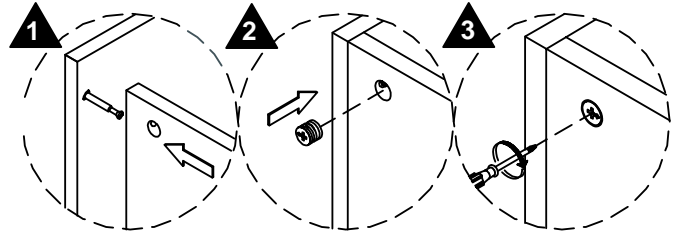
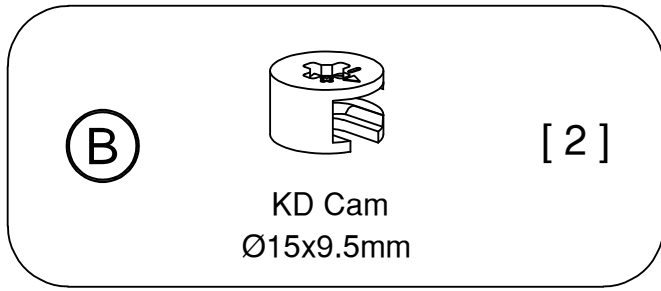


[6]

Wood Dowel
8 x 30mm

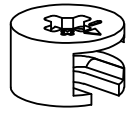


STEP 7



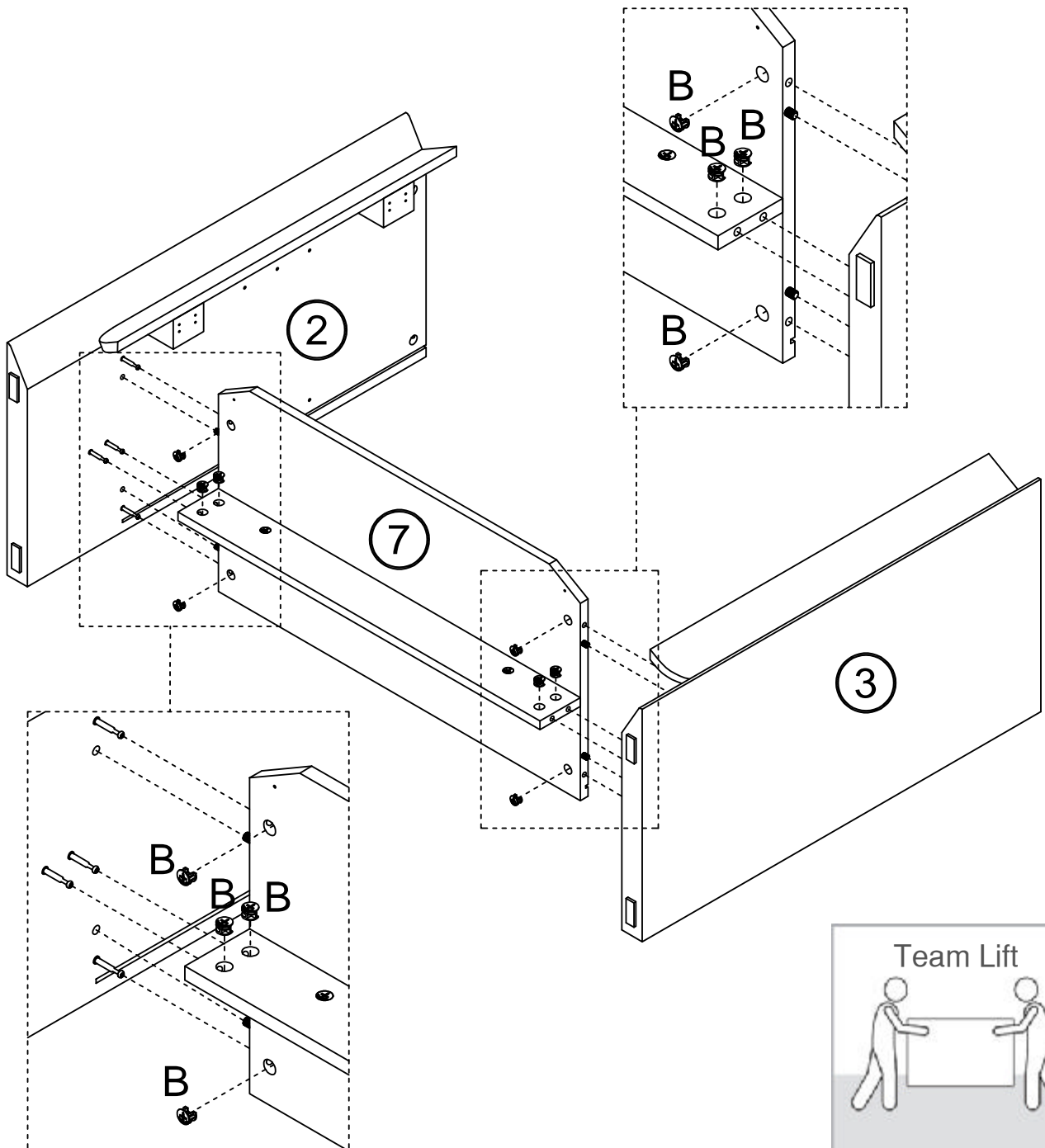
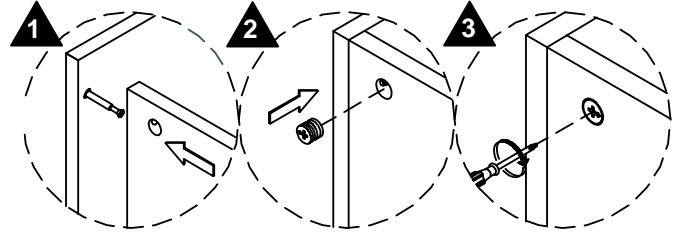
STEP 8

(B)



[8]

KD Cam
Ø15x9.5mm



STEP 9

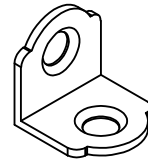
(E)



[2]

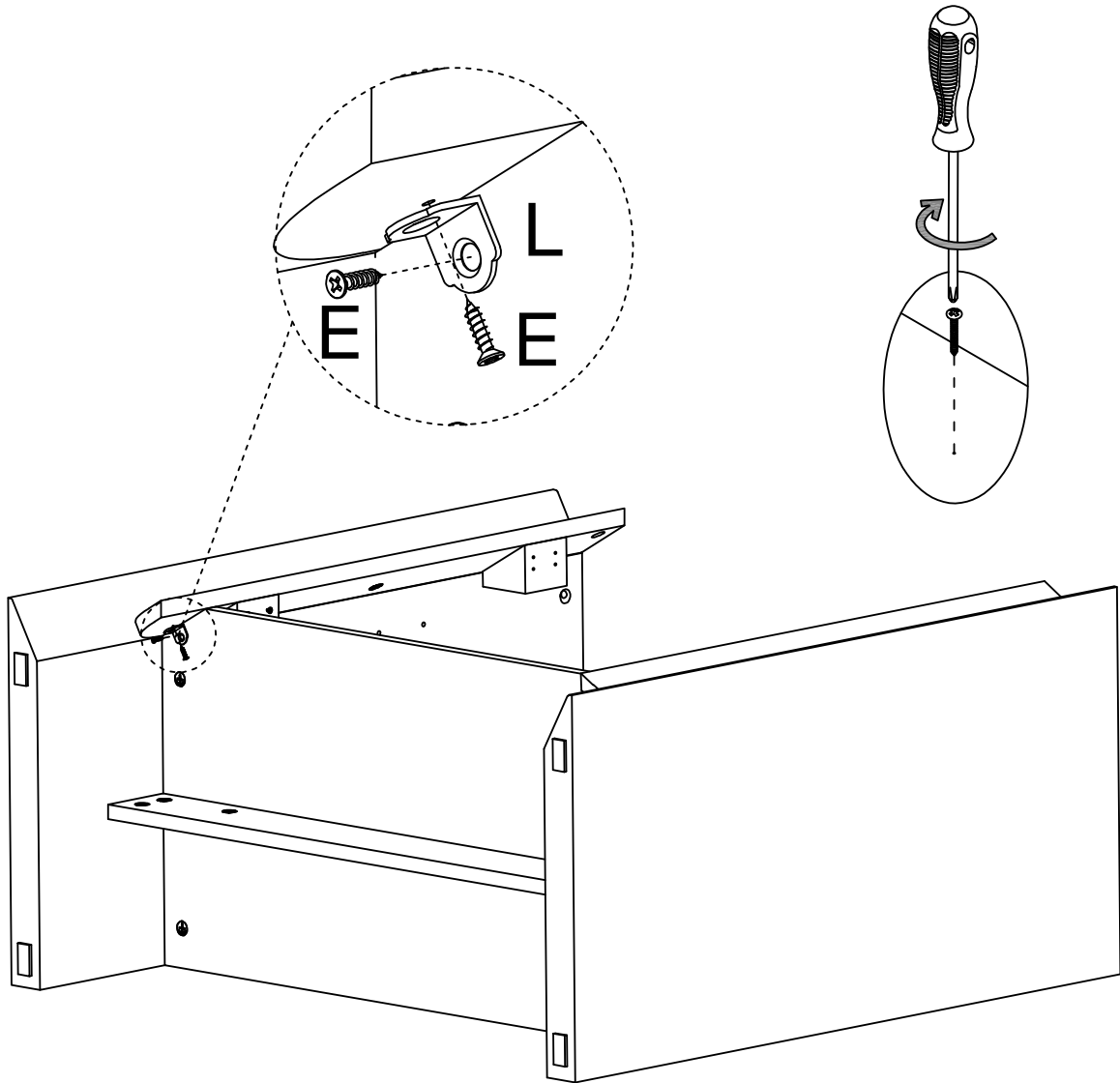
ST3.5x12mm

(L)



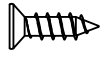
[1]

L Bracket



STEP 10

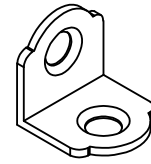
(E)



[2]

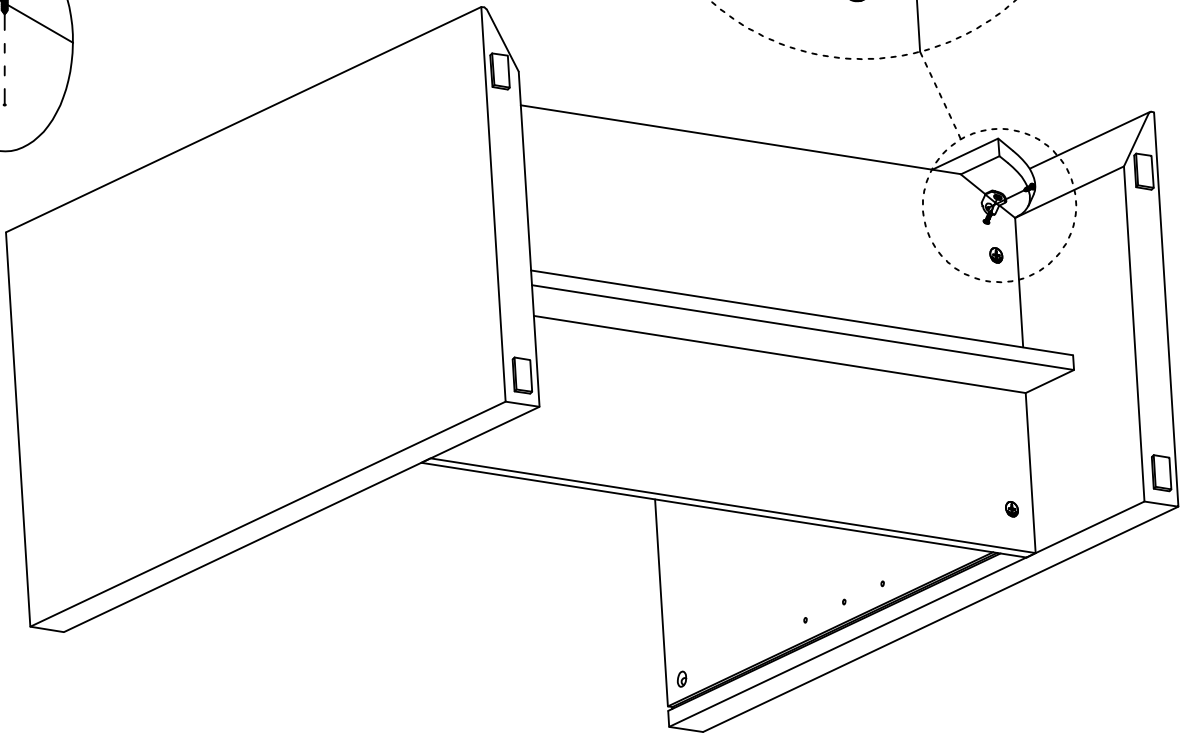
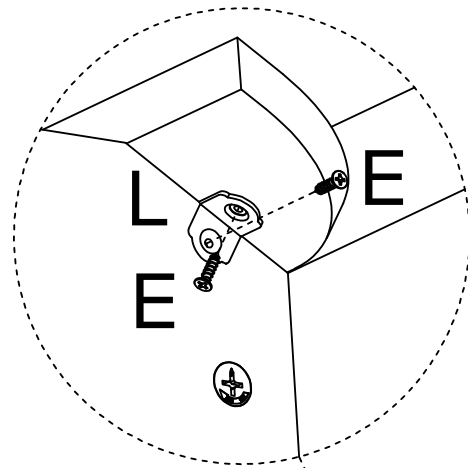
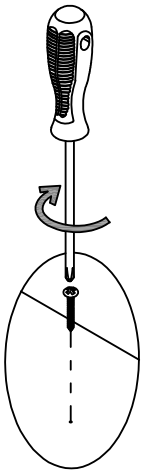
ST3.5x12mm

(L)

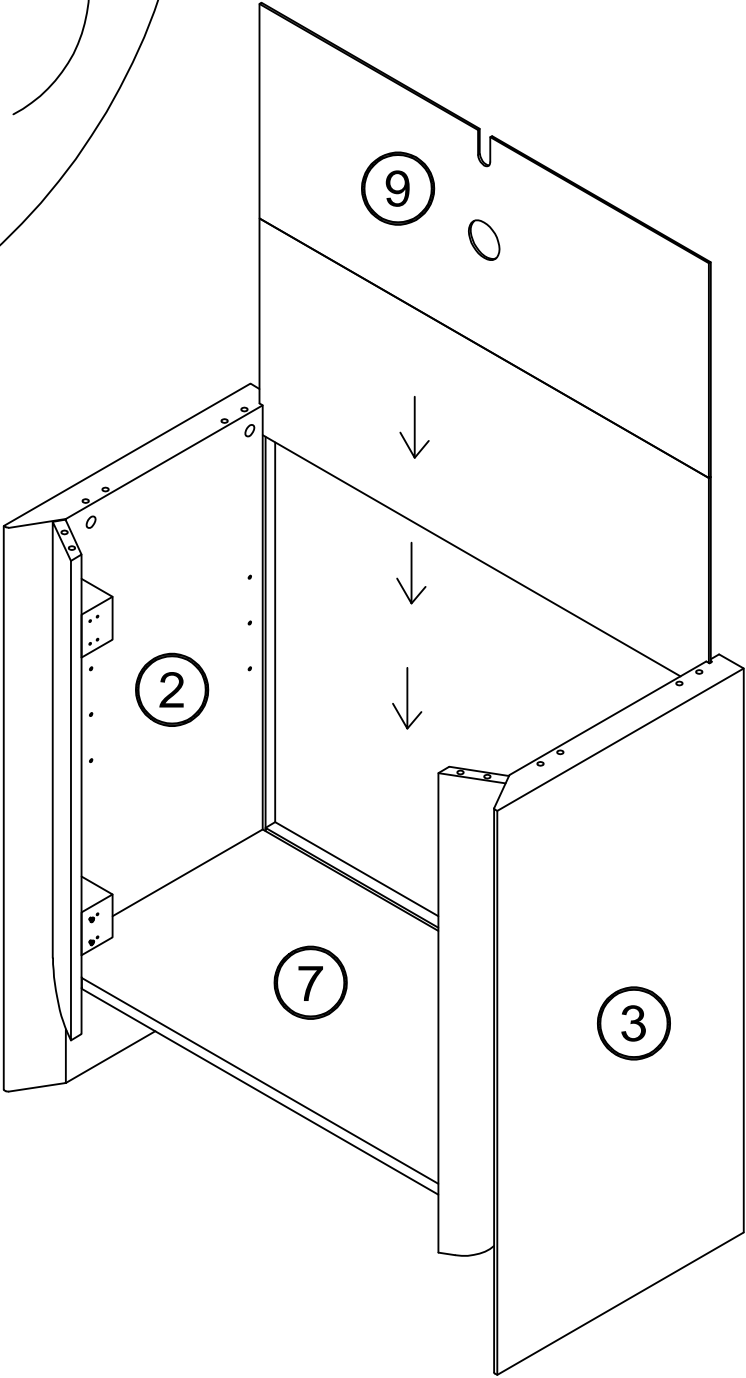
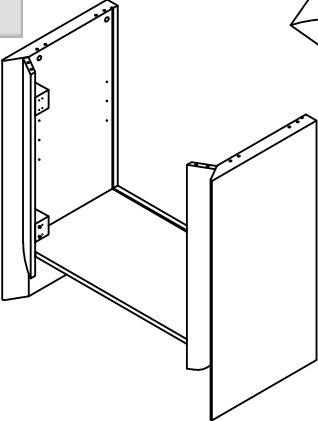


[1]

L Bracket



STEP 11



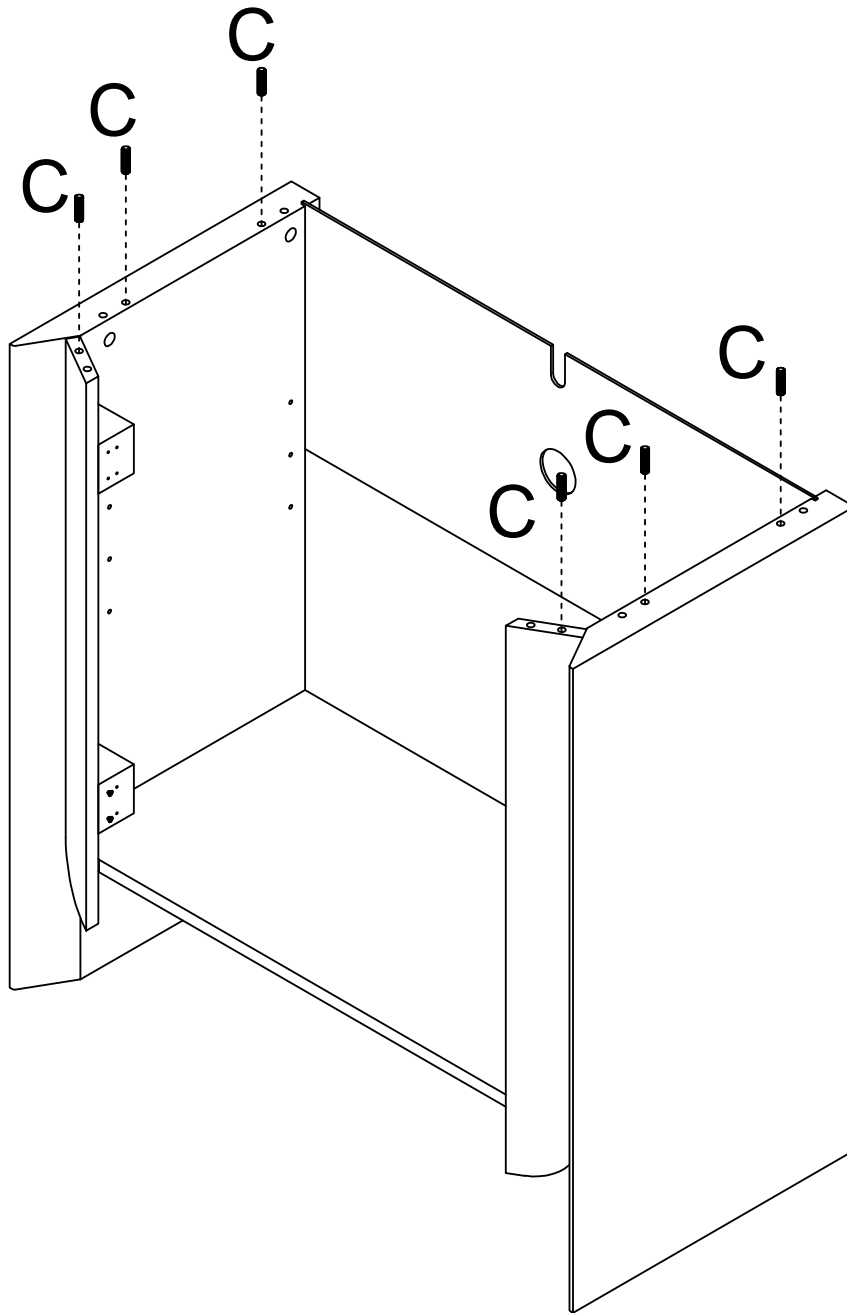
STEP 12

Ⓒ



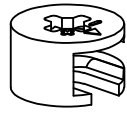
[6]

Wood Dowel
8 x 30mm



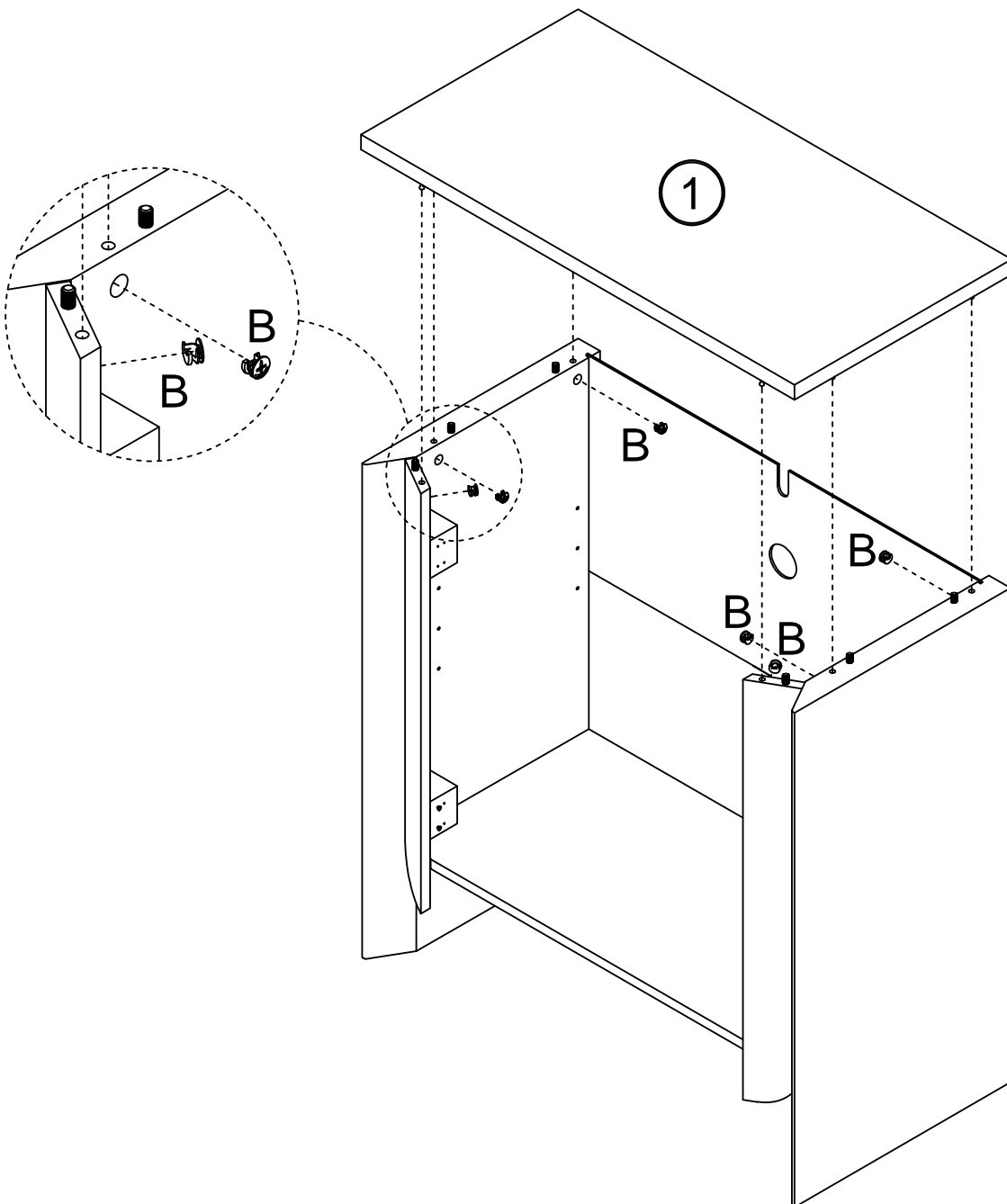
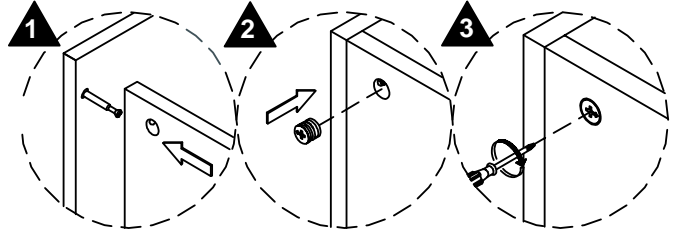
STEP 13

(B)



[6]

KD Cam
Ø15x9.5mm



STEP 14

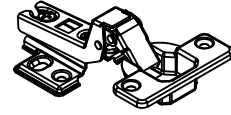
(G)



[8]

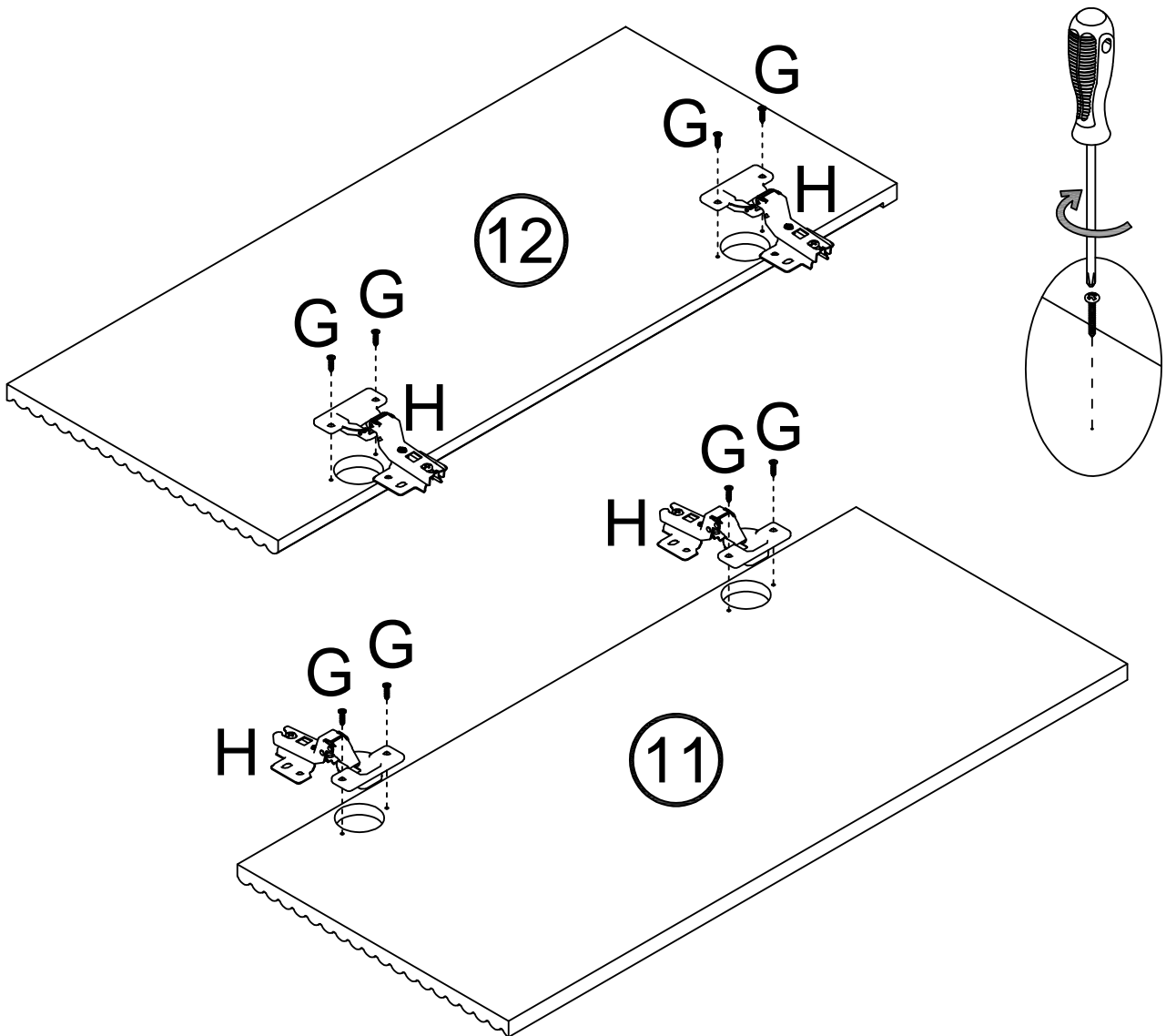
ST3.5x14mm

(H)



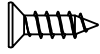
[4]

Hinge



STEP 15

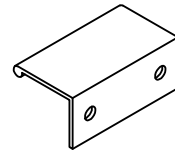
(E)



[4]

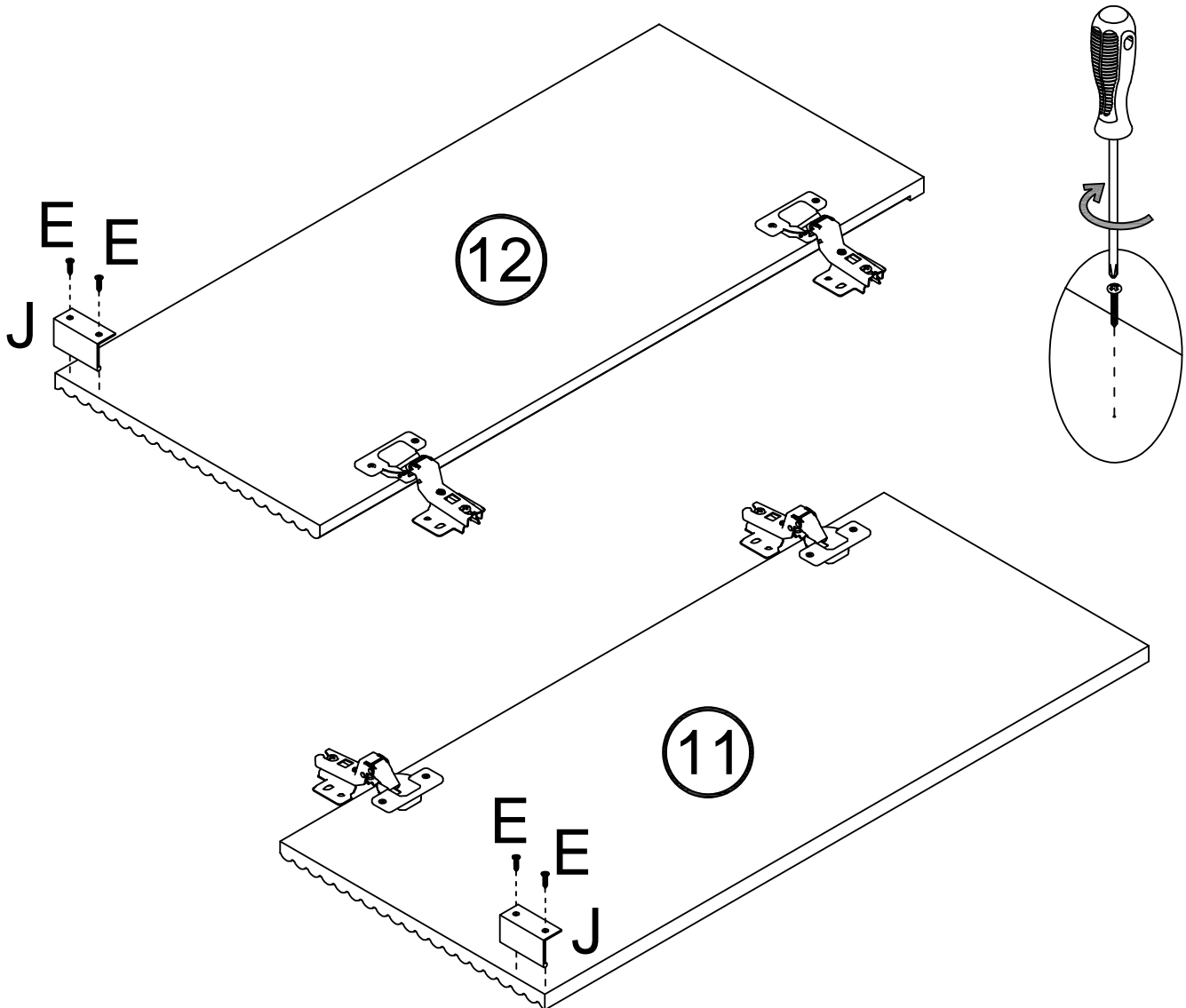
ST3.5x12mm

(J)



[2]

Handle



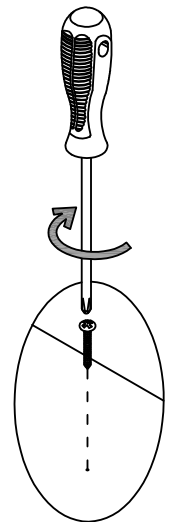
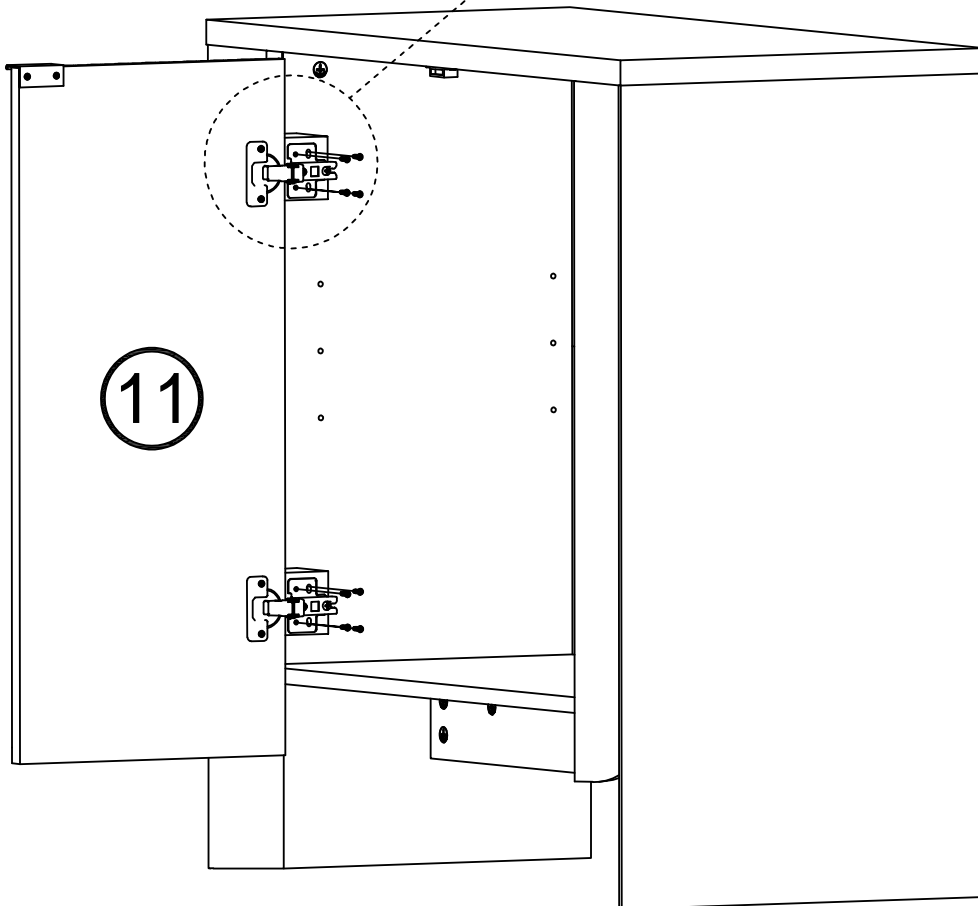
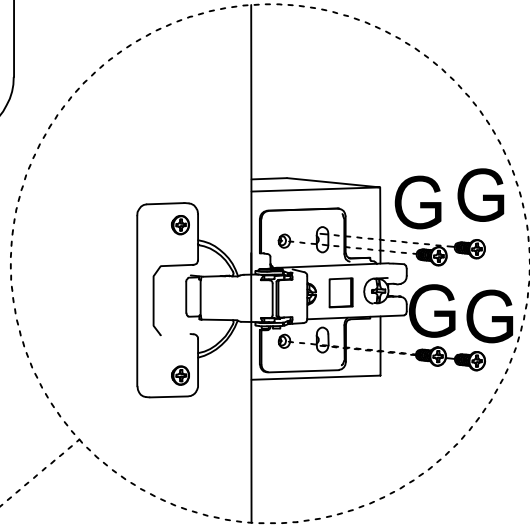
STEP 16

Ⓒ



[8]

ST3.5x14mm



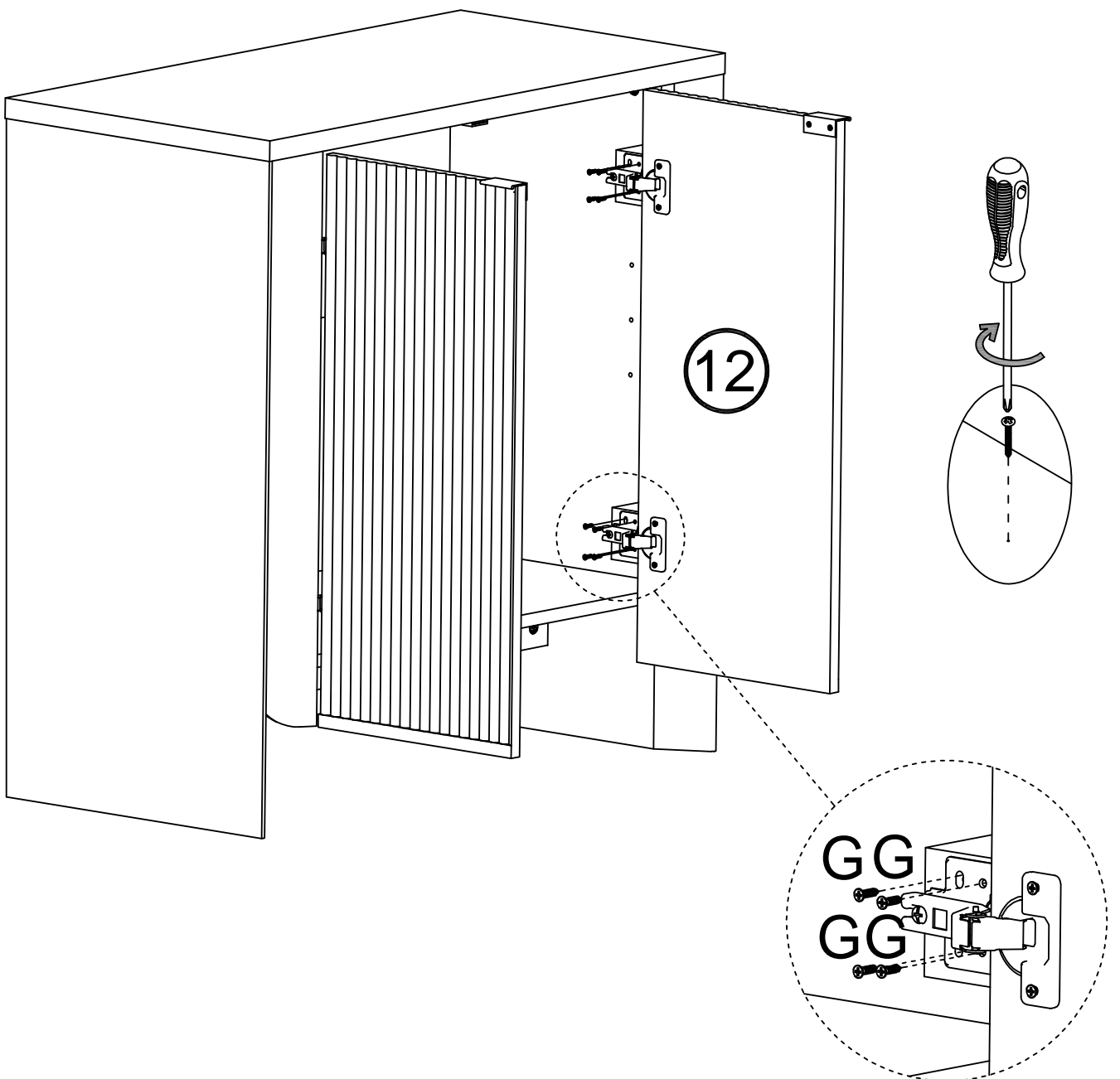
STEP 17

Ⓒ



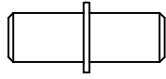
[8]

ST3.5x14mm



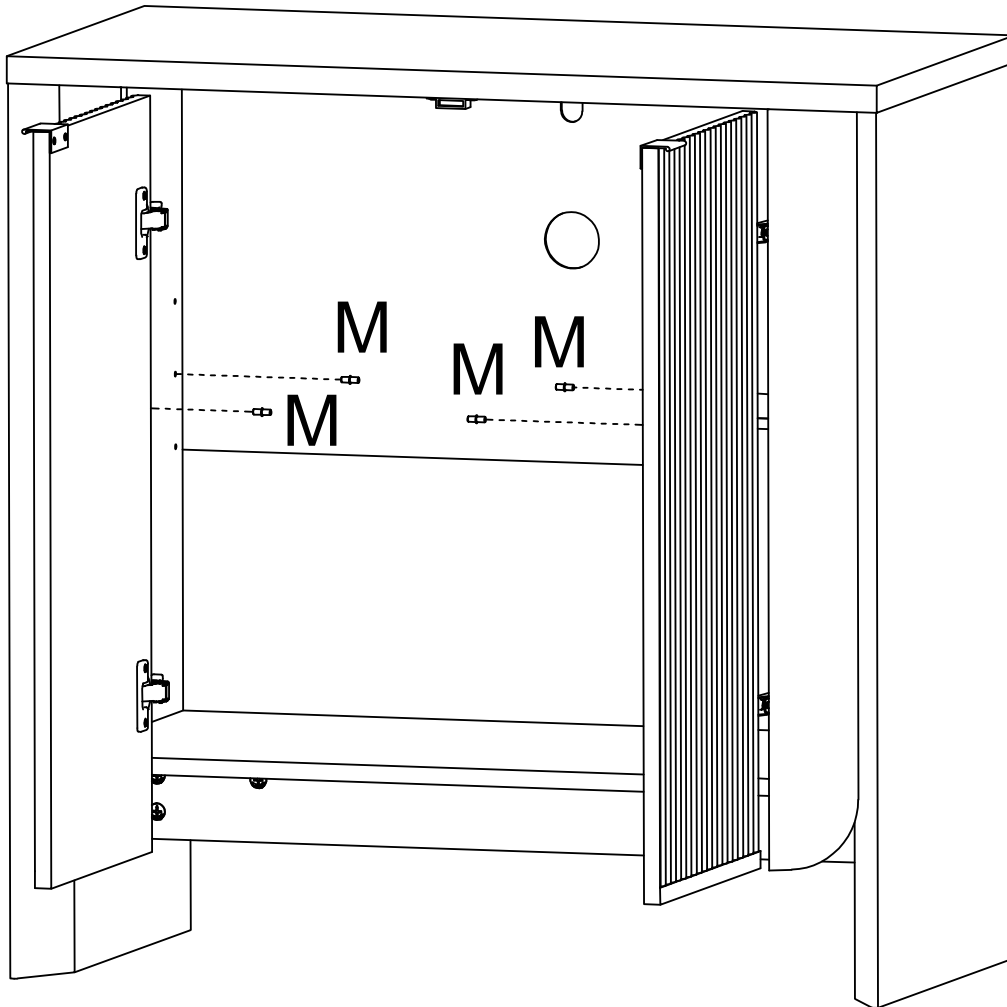
STEP 18

(M)



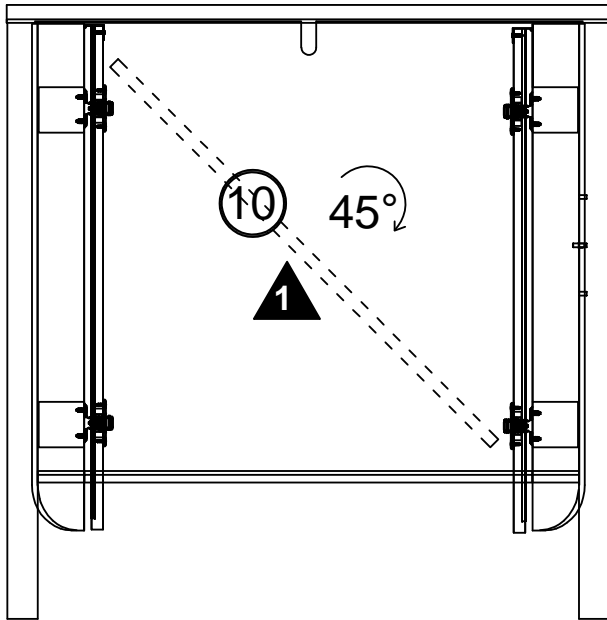
[4]

Shelf Pin

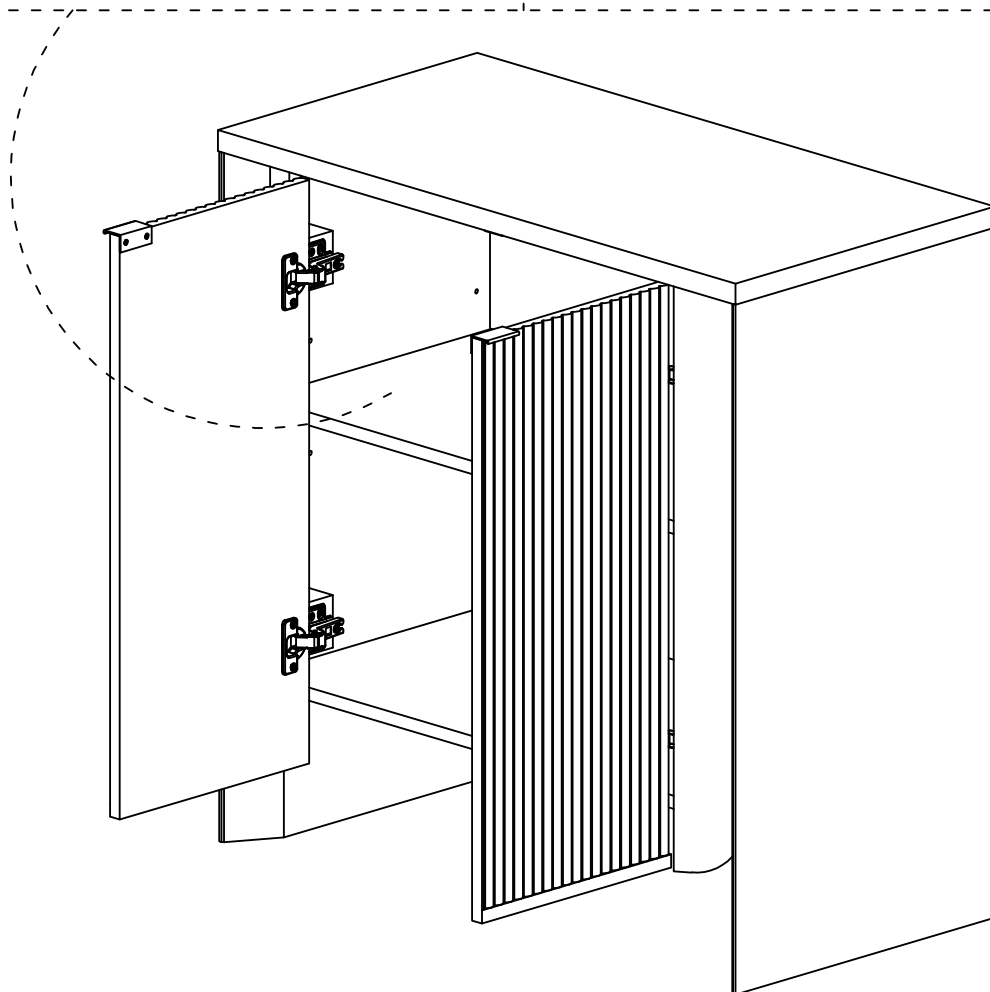
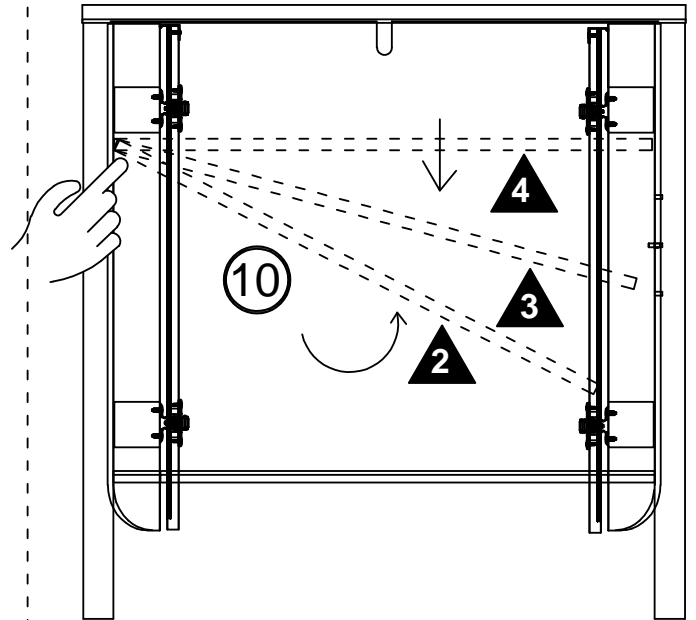


STEP 19

Step 1

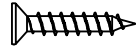


Step 2



STEP 20

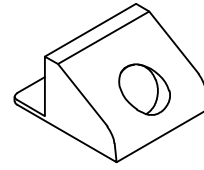
F



[12]

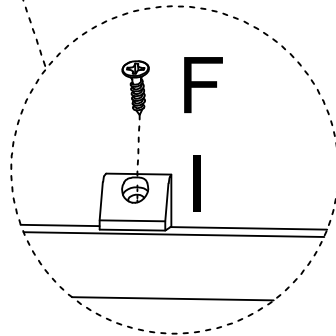
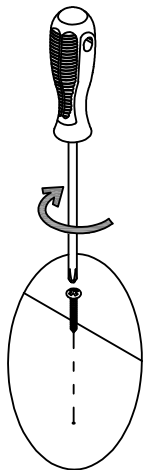
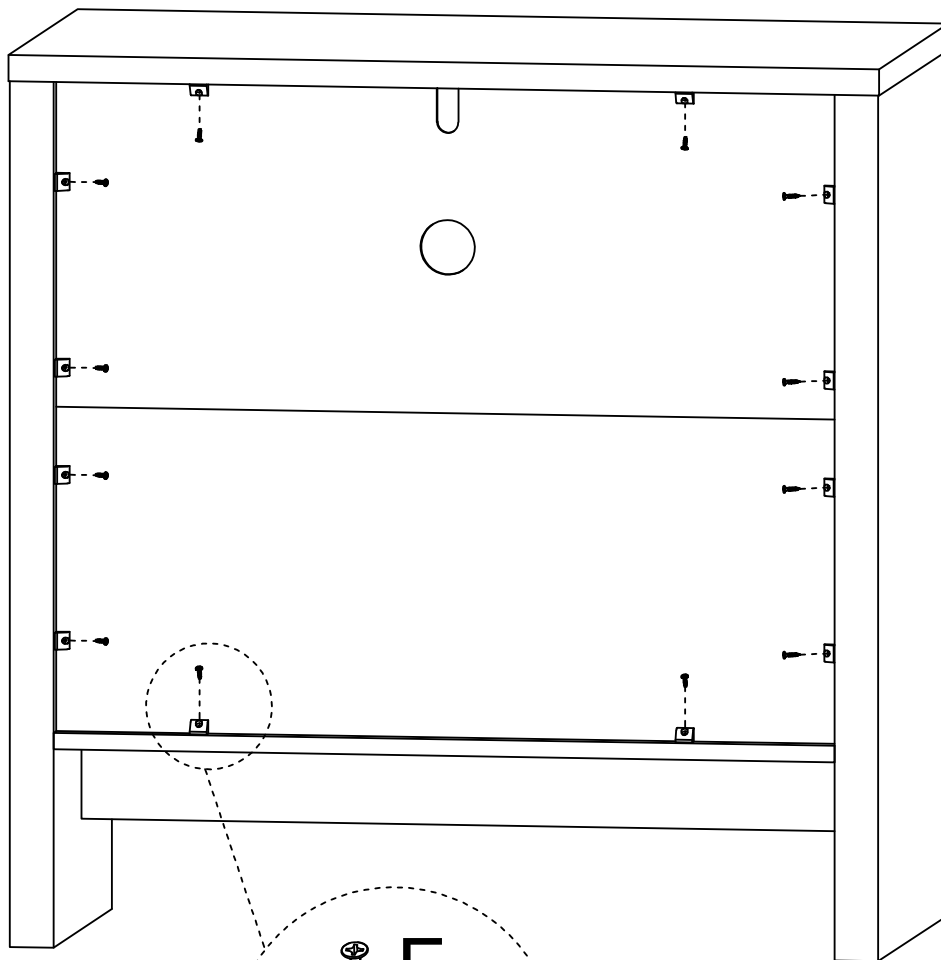
ST3.0x16mm

I



[12]

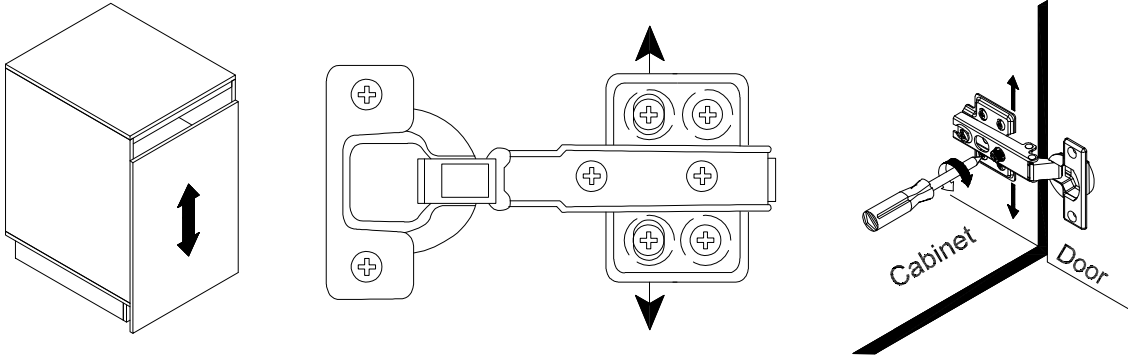
Back Clip



Cabinet Door Adjustment Instructions

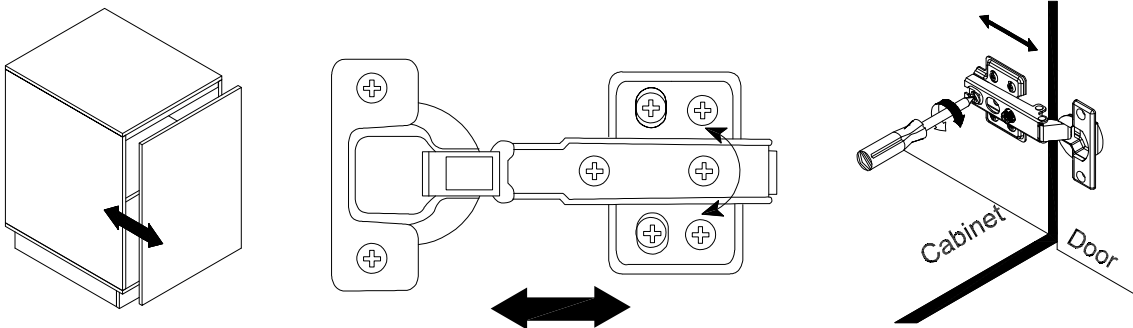
Height adjustment:

- Locate the height adjustment screws on the hinge.
- Use the Phillips screwdriver to either tighten or loosen the screws to raise or lower the cabinet door as desired.

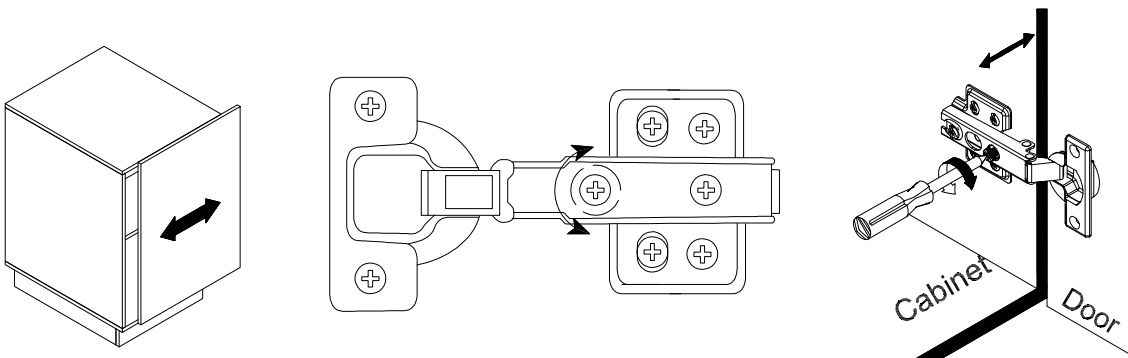


Side-to-side adjustment:

- If the cabinet door needs to be moved closer to or away from the cabinet frame, locate the side-to-side adjustment screws on the hinge.
- Use the Phillips screwdriver to adjust these screws and gradually move the door in the desired direction.



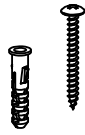
Depth adjustment (if applicable):



Wall Attachment

(N)

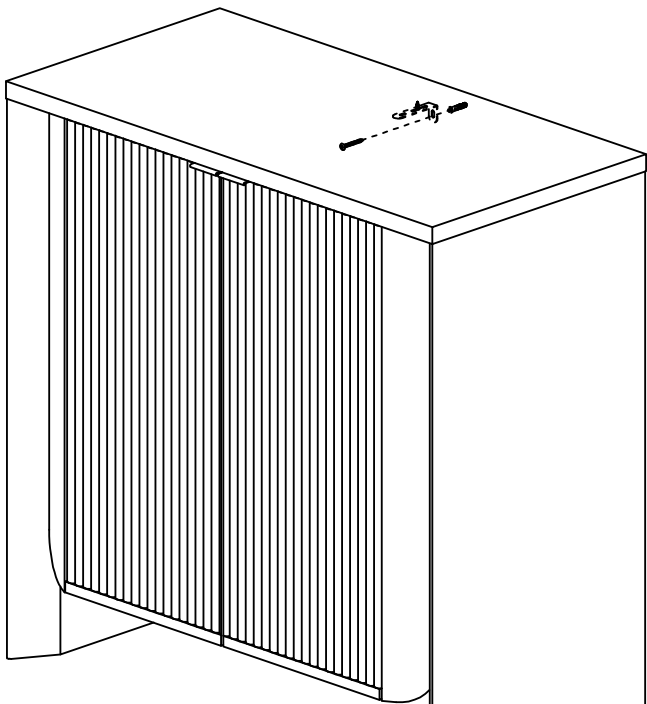
N3



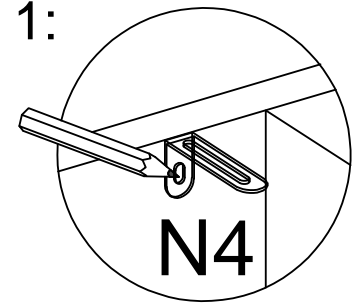
N1

[1]

WALL

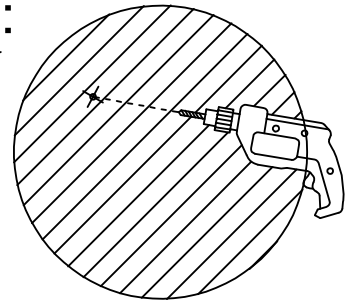


1:

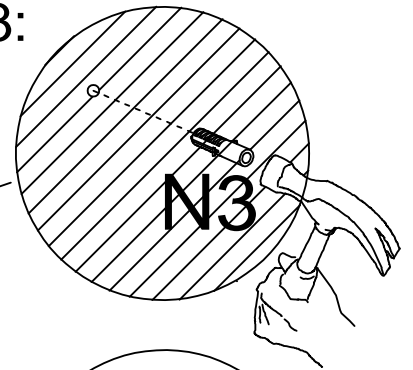


N4

2:

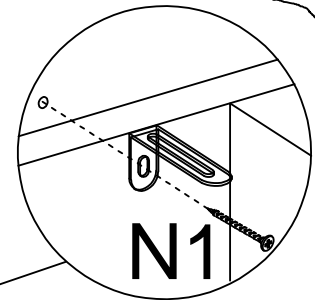


3:



N3

4:



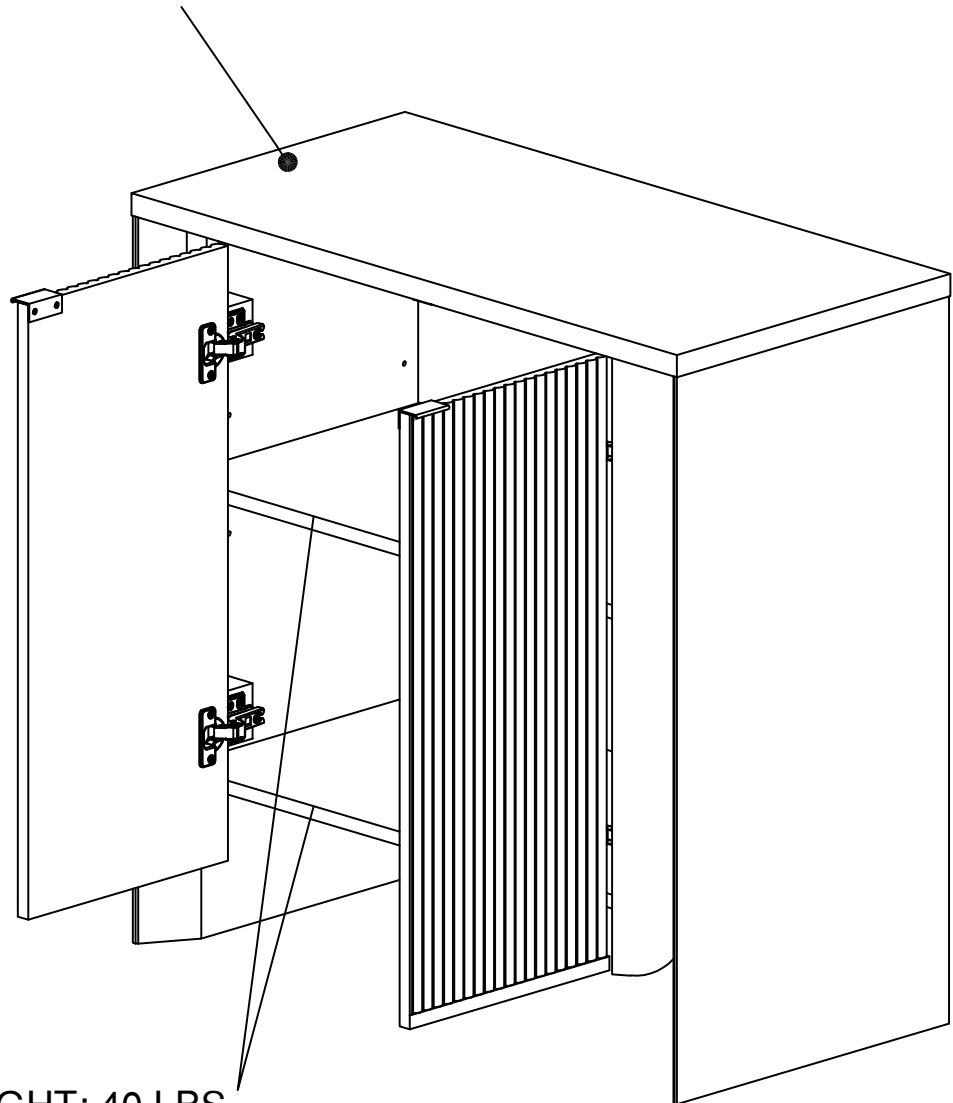
N1

Get to know your Boards

MAXIMUM WEIGHT: 140 LBS

PESO MÁXIMO: 140 LIBRAS

POIDS MAXIMUM: 140 LIVRES



MAXIMUM WEIGHT: 40 LBS

PESO MÁXIMO: 40 LIBRAS

POIDS MAXIMUM: 40 LIVRES

Installation complete