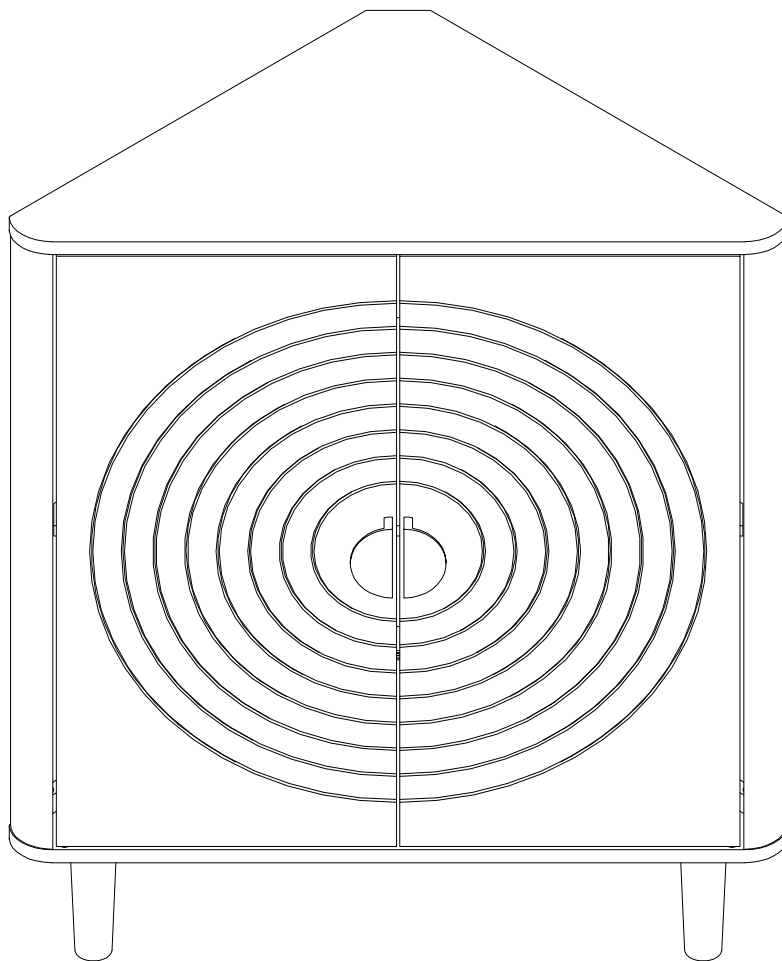


Assembly Instructions

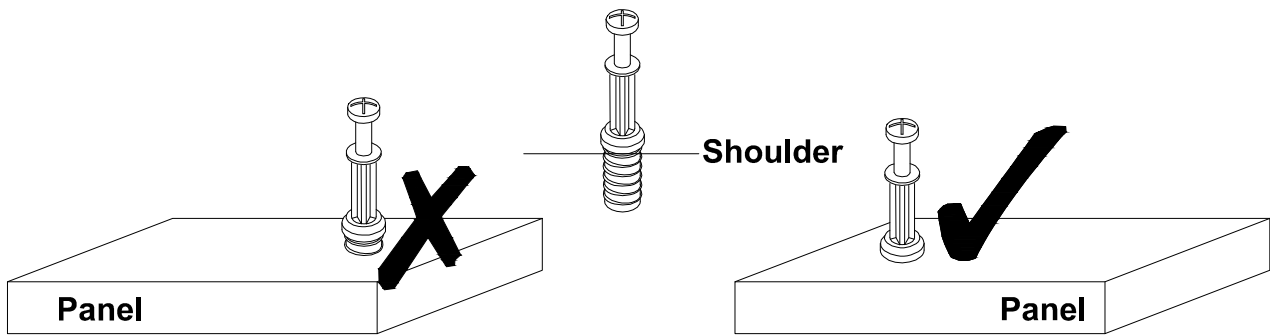


Before Assembly

Tips Before Your Start:

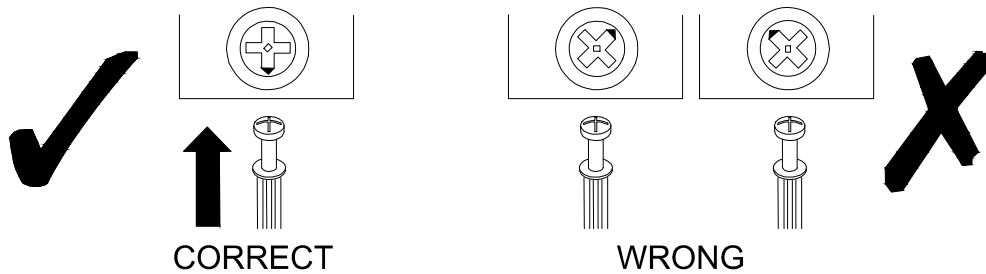
- Remove all wrapping material, including staples & packing straps before you start to assemble.
- DO NOT tighten all screws and bolts until the assembly is completely assembled.
- Keep all hardware parts out of reach of children.

QUICKFIT



Tighten quickfit until shoulder is flush with panel. Do not overtighten or undertighten.

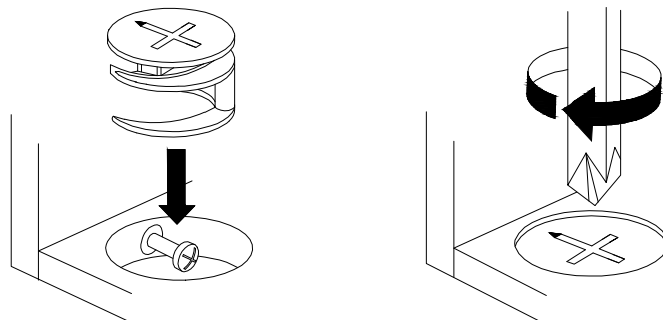
CAM LOCK



When fitting a cam lock, ensure the starting position is correct before inserting the connecting QUI CKFIT

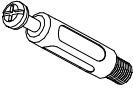



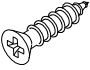
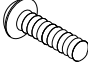
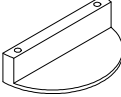
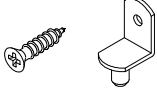
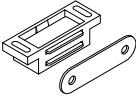
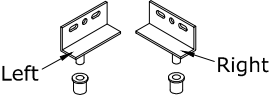

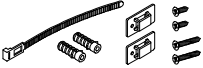
Quickfit head should be in the centre of the cam lock when the two panels are joined.

Cam lock should be inserted before quickfit.

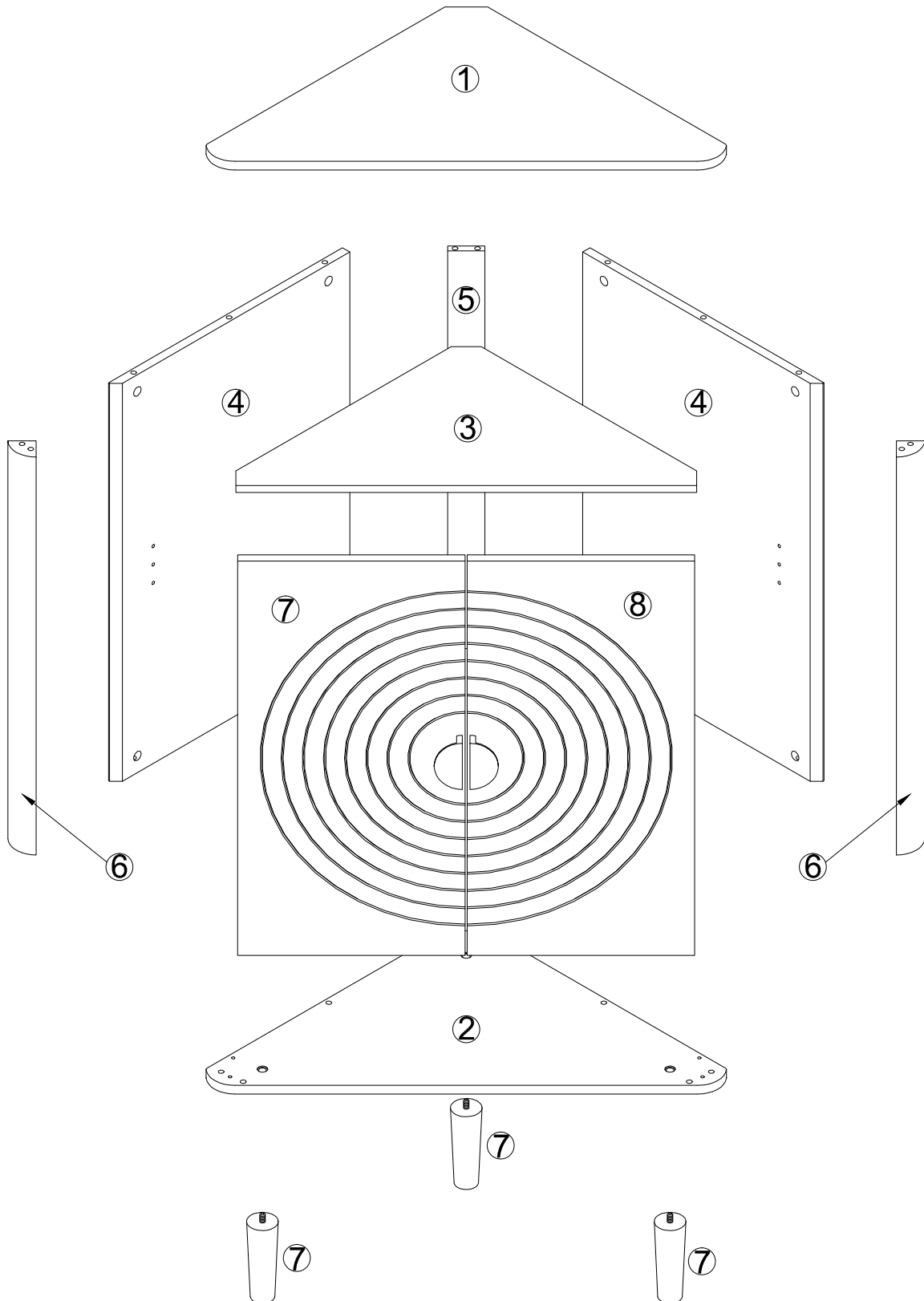


Turn cam lock clockwise to tighten.

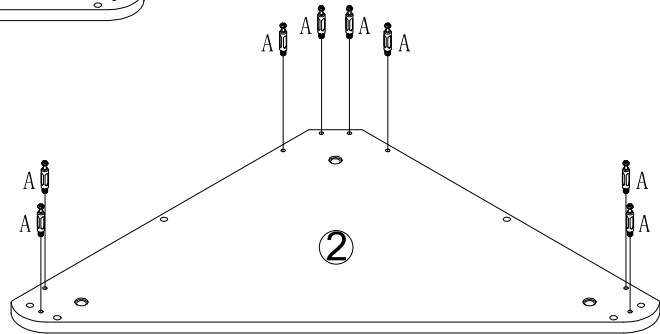
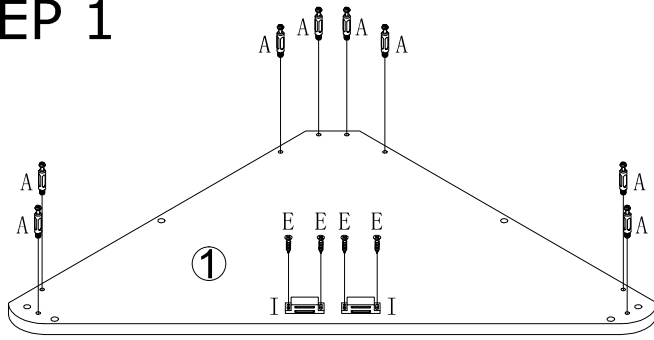
Part List

<p>No. A Quantity:16 Pcs Cam Lock Dowel 8*28mm</p> 	<p>No. B Quantity:16 Pcs Cam φ15</p> 	<p>No. C Quantity:16 Pcs Sticker Ø20</p> 	<p>No. D Quantity:8 Pcs Dowel 8*30mm</p> 
<p>No. E Quantity:20 Pcs Screw 3.5*14mm</p> 	<p>No. F Quantity:4 Pcs Screw M4*20mm</p> 	<p>No. G Quantity:2 Pcs Handle</p> 	<p>No. H Quantity:4 Sets Shelf Support 30*17*13mm</p> 
<p>No. I Quantity:2 Sets Magnetic Door Catcher</p> 	<p>No. J Quantity:2 Sets Door hinge</p> 	<p>No. K Quantity:3 Pcs Foot Pad Ø20</p> 	<p>No. L Quantity:1 Sets Anti-falling Parts</p> 

Product structure



STEP 1



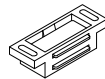
No. A
Quantity: 16 Pcs
8*28 mm



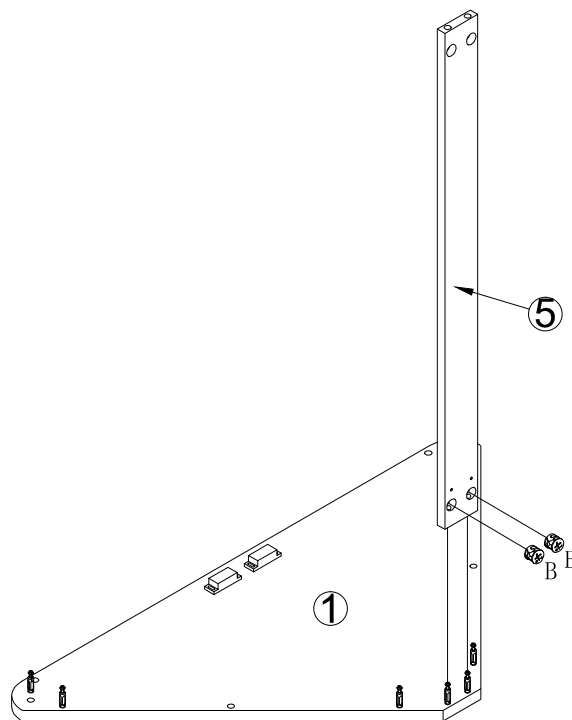
No. E
Quantity: 4 Pcs
3.5*14mm



No. I
Quantity: 2 Pcs



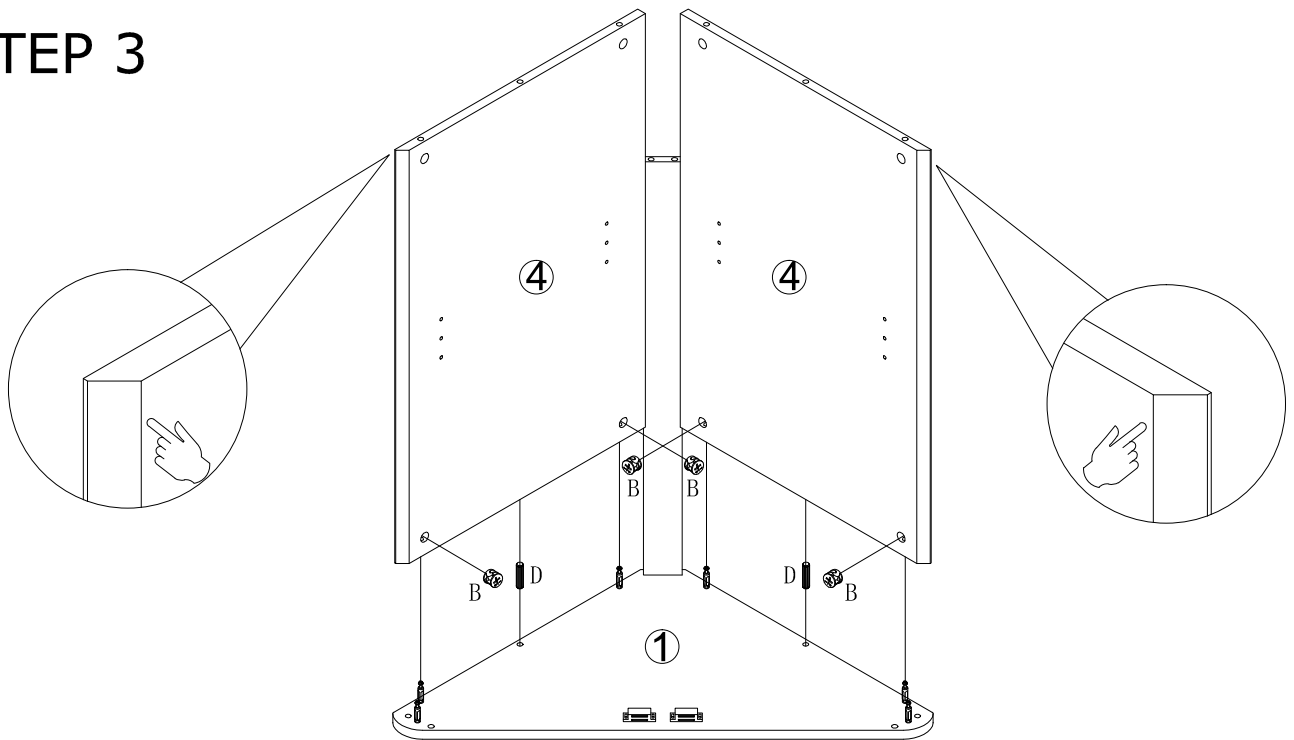
STEP 2



No. B
Quantity: 2 Pcs
Ø15



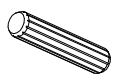
STEP 3



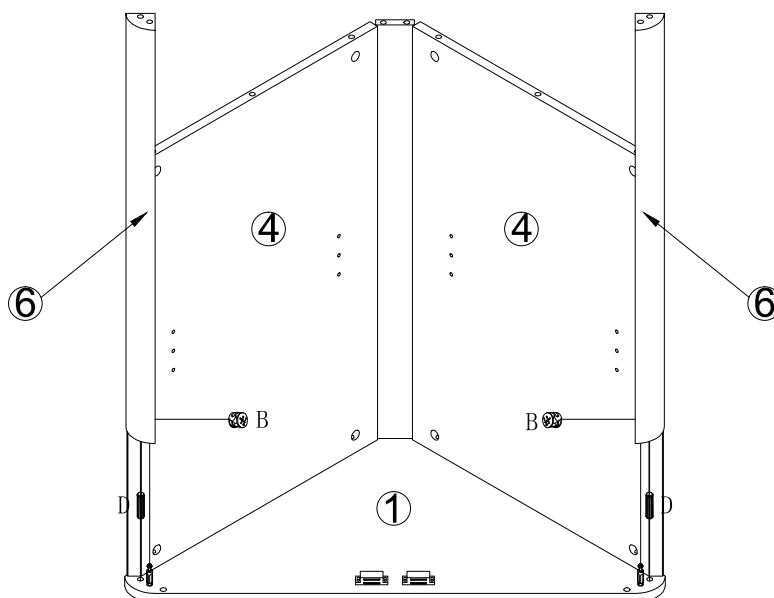
No. B
Quantity: 4 Pcs
Ø15



No. D
Quantity: 2 Pcs
8*30mm



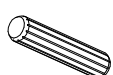
STEP 4



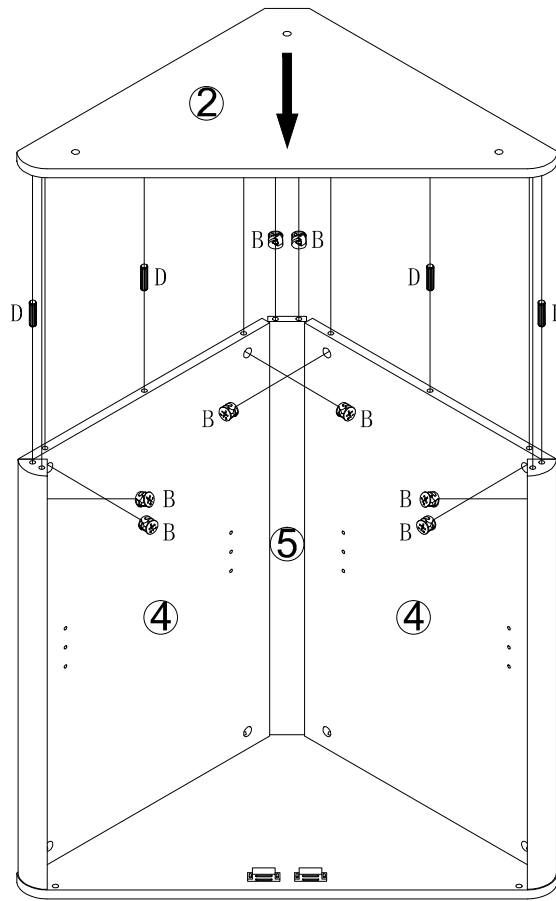
No. B
Quantity: 2 Pcs
Ø15



No. D
Quantity: 2 Pcs
8*30mm



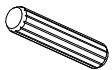
STEP 5



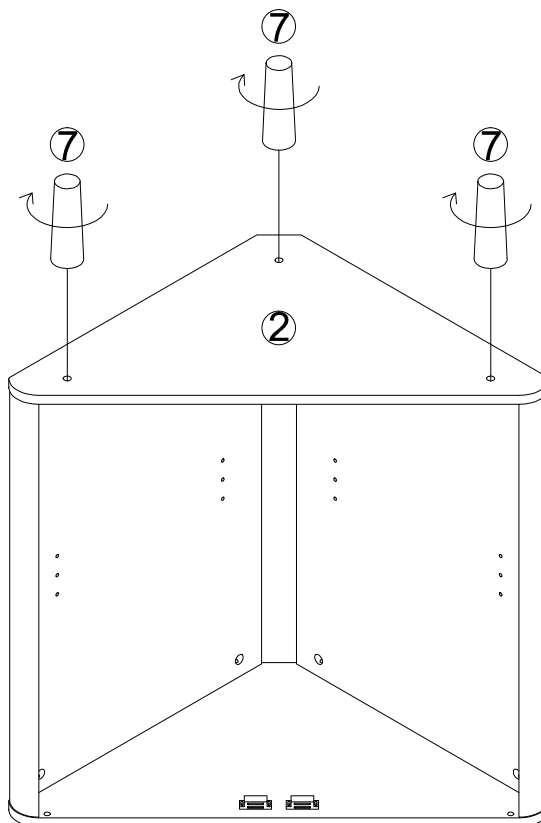
No. B
Quantity: 8 Pcs
Ø15



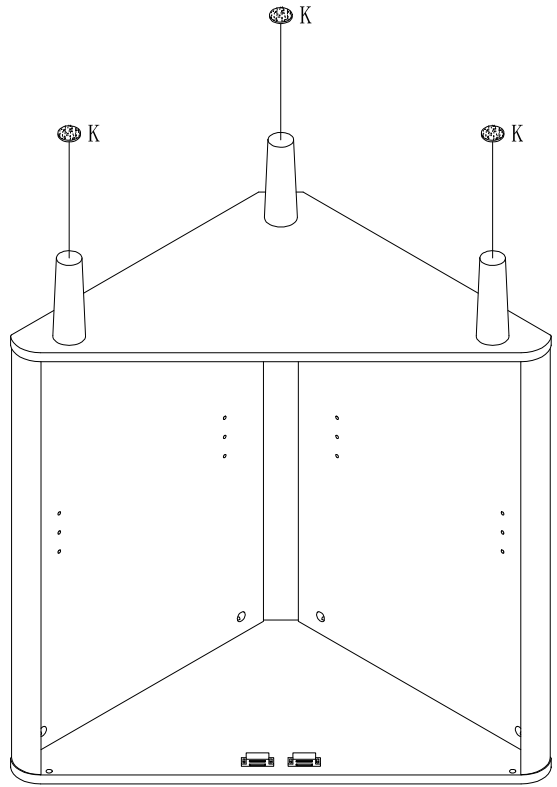
No. D
Quantity: 4 Pcs
8*30mm



STEP 6



STEP 7

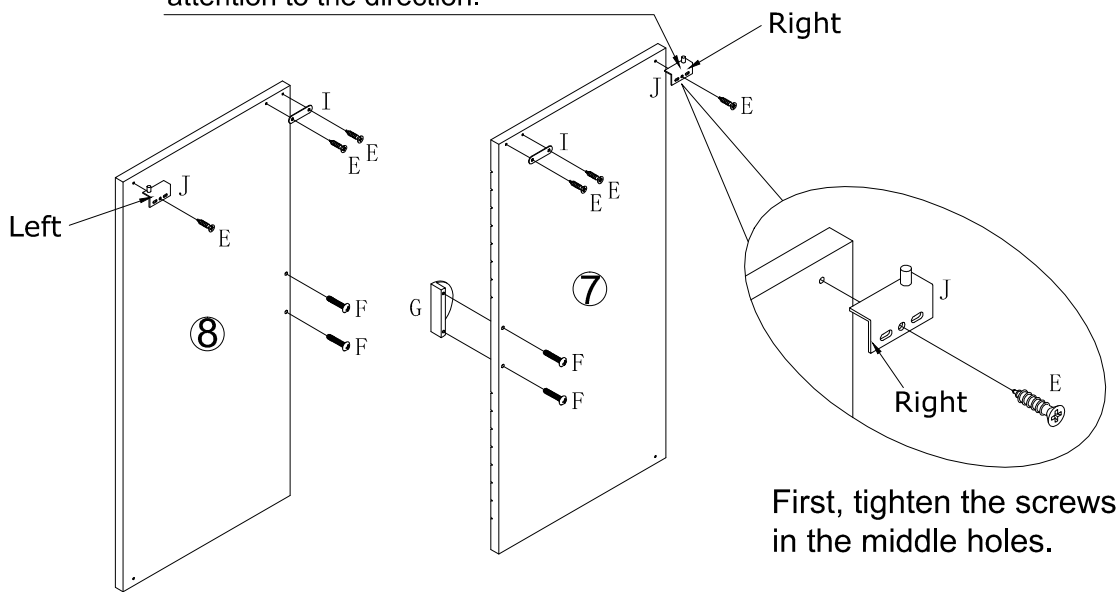


No. K
Quantity: 3 Pcs
Ø20



STEP 8

Note that the part with the marking "J" needs to be installed in pairs, and pay attention to the direction.



First, tighten the screws in the middle holes.

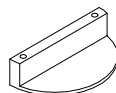
No. E
Quantity: 6 Pcs
3.5*14mm



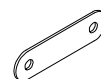
No. F
Quantity: 4 Pcs
M4*20mm



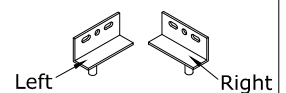
No. G
Quantity: 2 Pcs



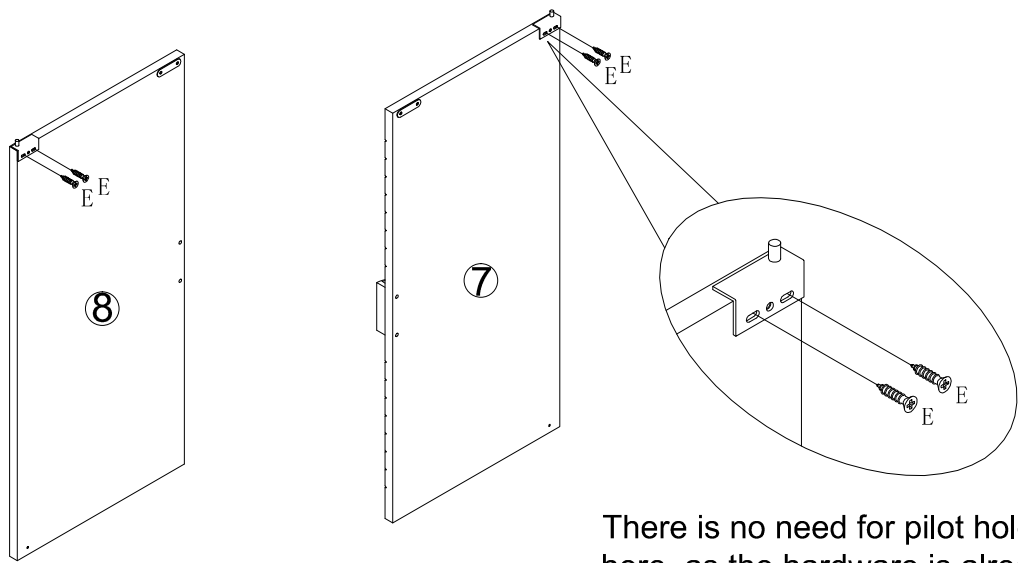
No. I
Quantity: 2 Pcs



No. J
Quantity: 1 Sets



STEP 9

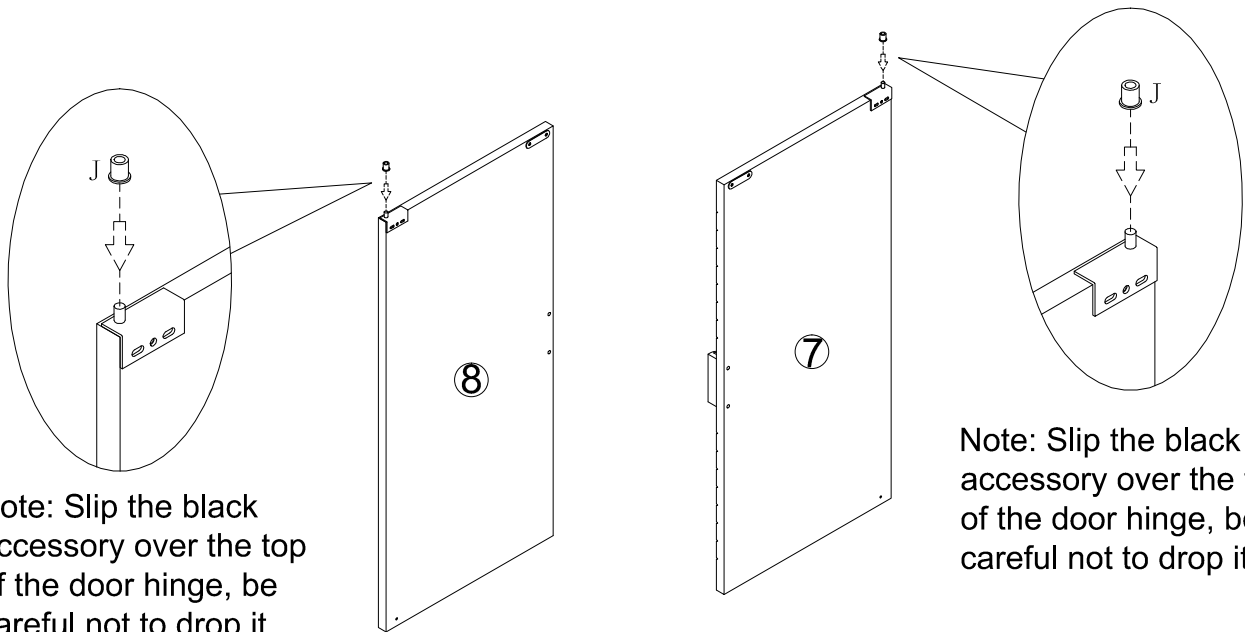


There is no need for pilot holes here, as the hardware is already fixed, so you can directly tighten the screws.

No. E
Quantity: 4 Pcs
3.5*14mm



STEP 10



Note: Slip the black accessory over the top of the door hinge, be careful not to drop it.

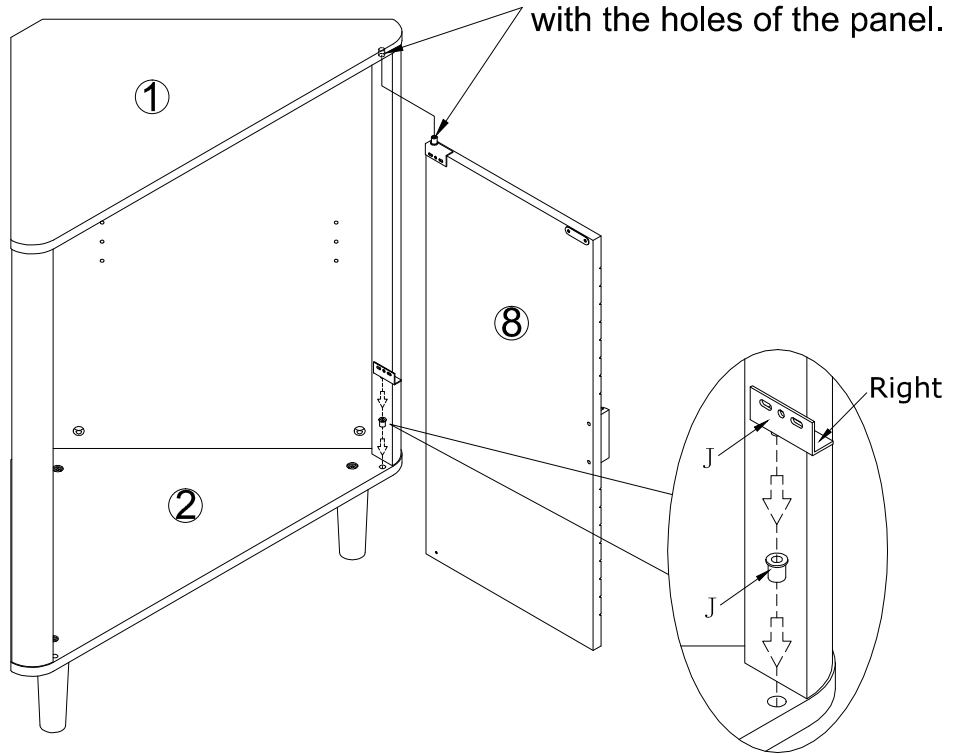
Note: Slip the black accessory over the top of the door hinge, be careful not to drop it.

No. J
Quantity: 1 Sets

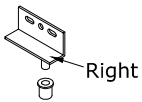


STEP 11

Note: When installing the door panel, the hardware direction is up, and align it with the holes of the panel.

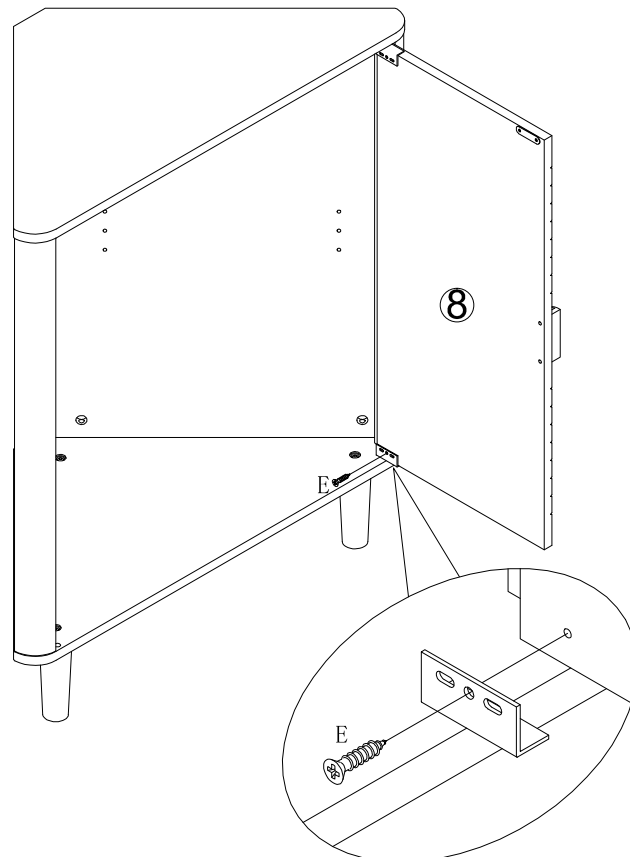


No. J
Quantity: 1 Sets



Note: First place the fittings into the holes.

STEP 12

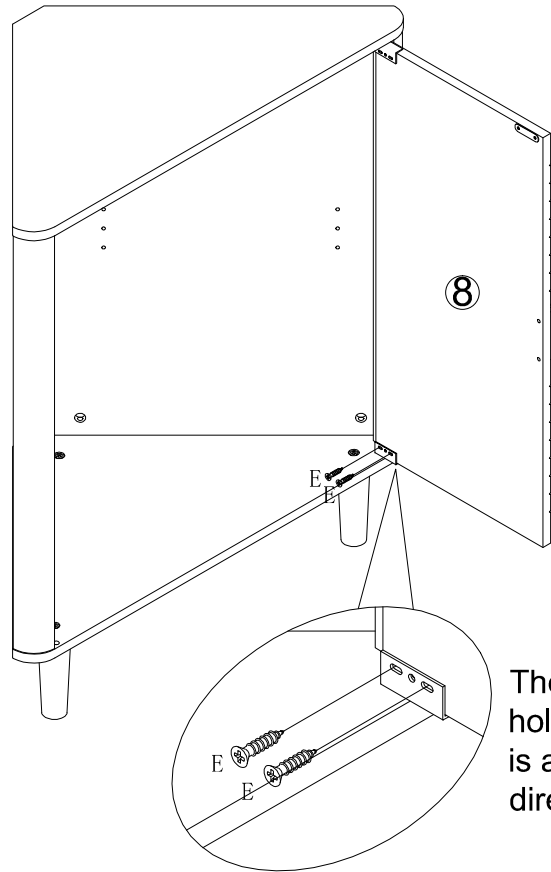


No. E
Quantity: 1 Pcs
3.5*14mm



First, tighten the screws in the middle holes.

STEP 13



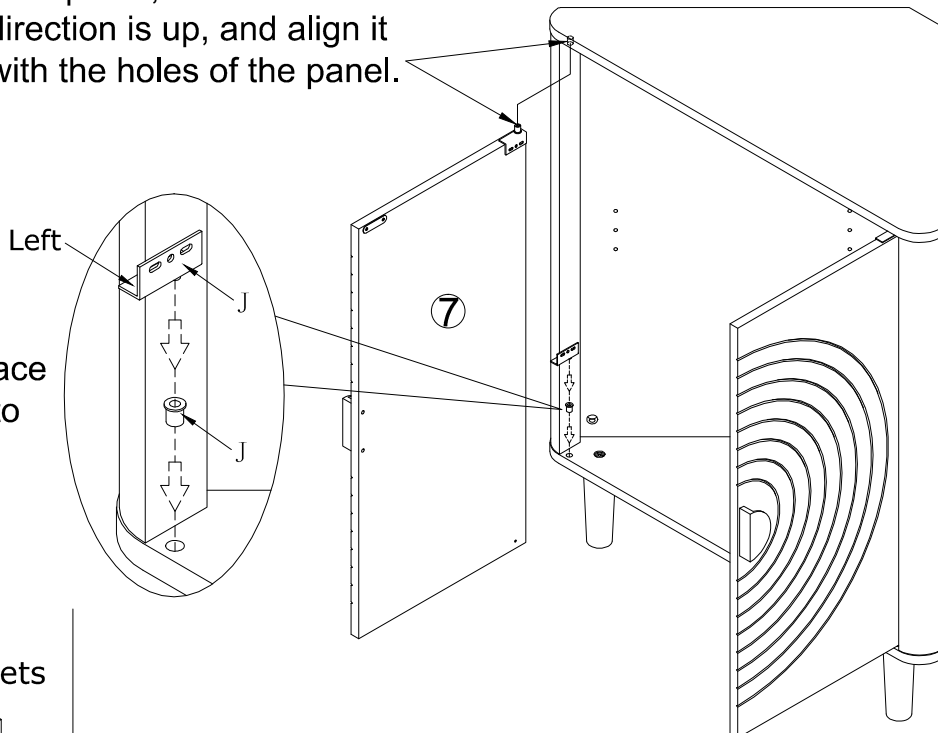
No. E
Quantity: 2 Pcs
3.5*14mm



There is no need for pilot holes here, as the hardware is already fixed, so you can directly tighten the screws.

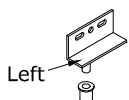
STEP 14

Note: When installing the door panel, the hardware direction is up, and align it with the holes of the panel.

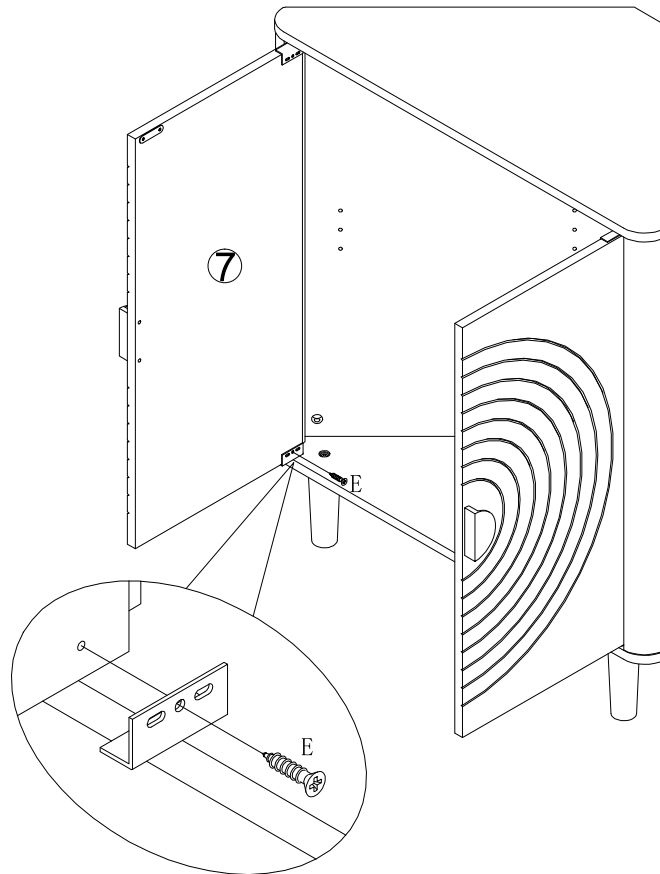


Note: First place the fittings into the holes.

No. J
Quantity: 1 Sets



STEP 15

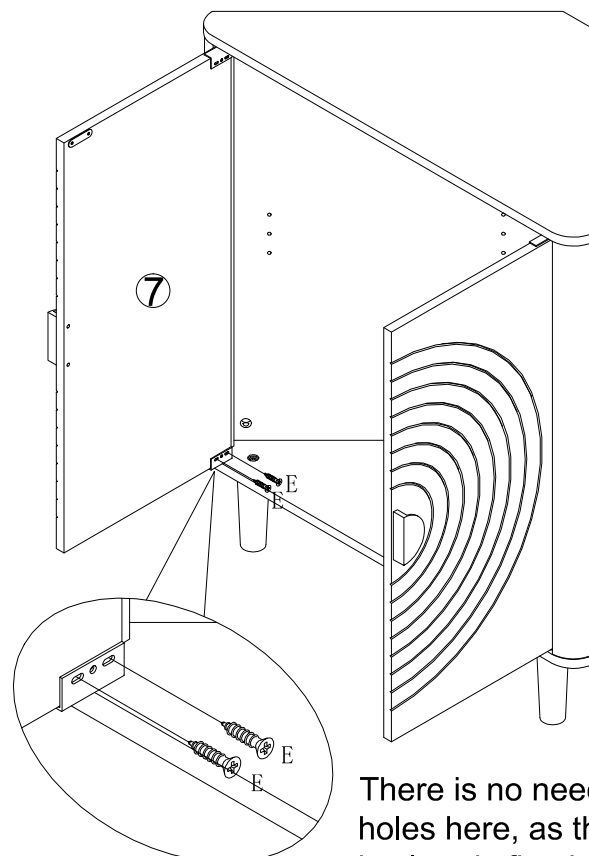


No. E
Quantity: 1 Pcs
3.5*14mm



First, tighten the screws
in the middle holes.

STEP 16

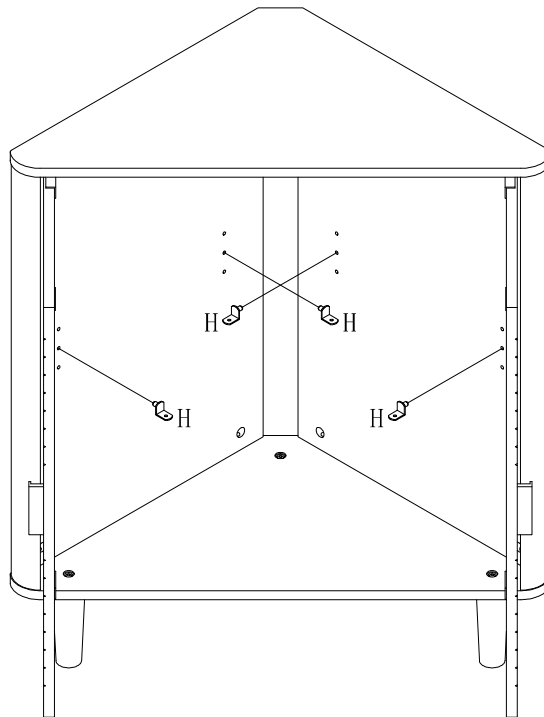


No. E
Quantity: 2 Pcs
3.5*14mm

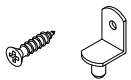


There is no need for pilot
holes here, as the hardware
is already fixed, so you can
directly tighten the screws.

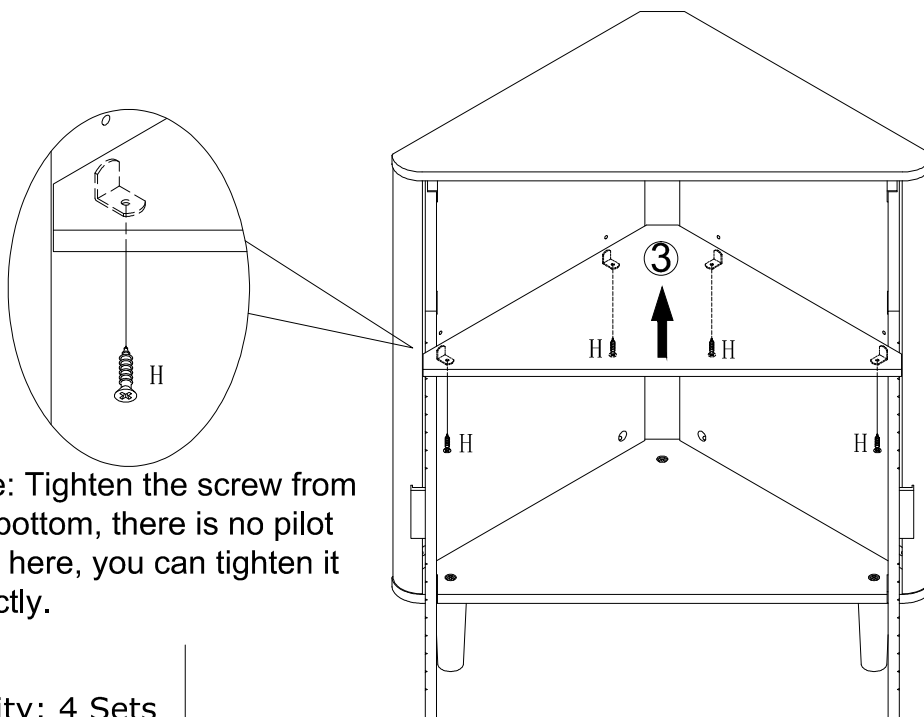
STEP 17



No. H
Quantity: 4 Sets
30*17*13mm



STEP 18



Note: Tighten the screw from the bottom, there is no pilot hole here, you can tighten it directly.

No. H
Quantity: 4 Sets
30*17*13mm

