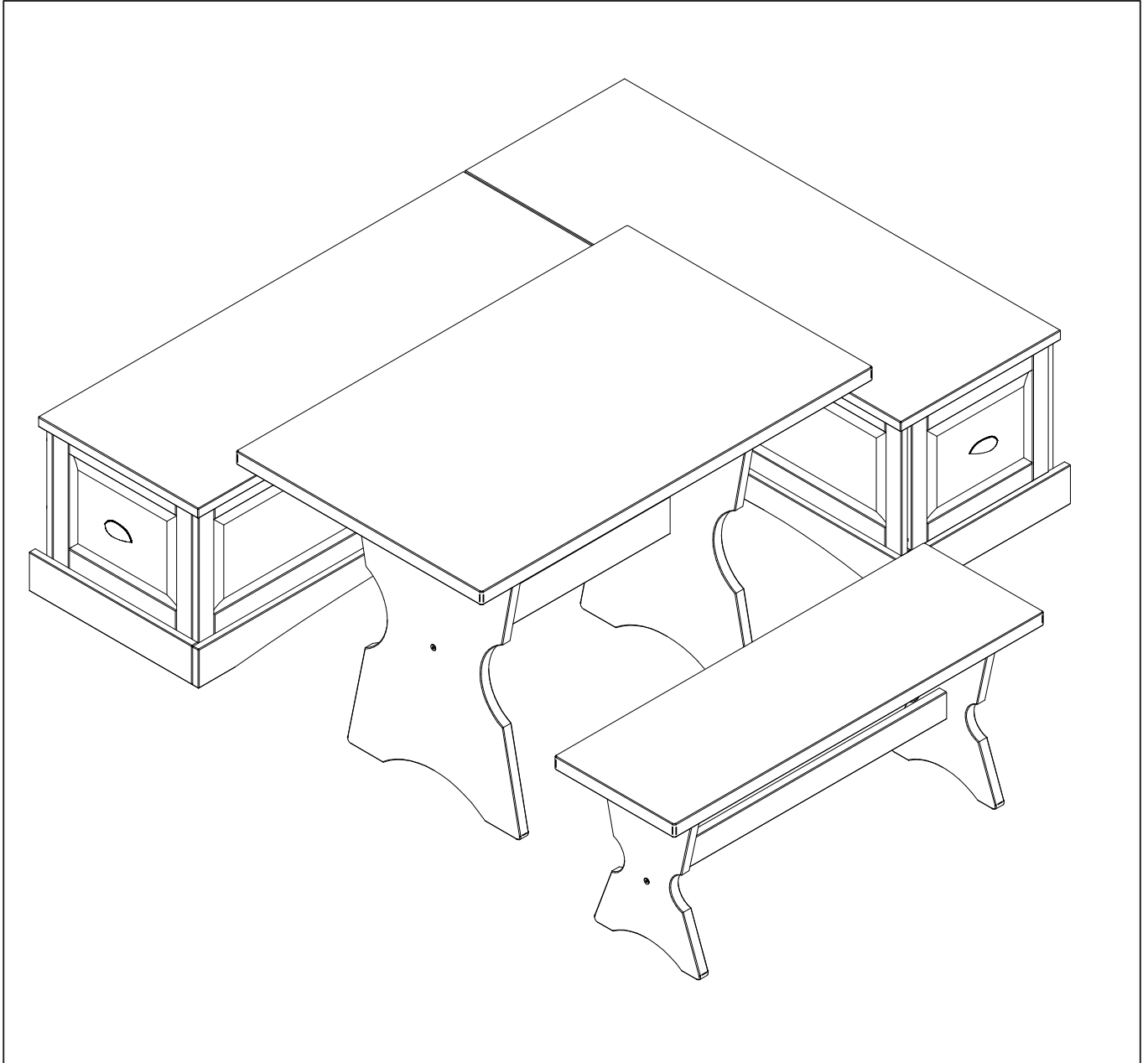


Backless Corner Nook



We are here to help! Before you return it - contact us.



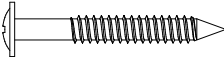
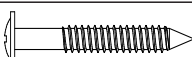





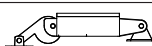

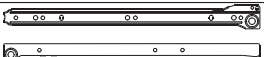
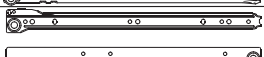
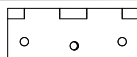

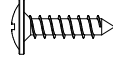



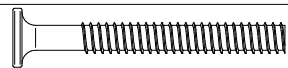
We do our best to insure that your furniture arrives in excellent condition. In the event that a part is damaged or missing, we will be happy to provide you with replacement parts, at no charge, within 30 days of purchase, providing the parts are available in our warehouse and the item purchased is part of our current inventory. In order to receive spare parts, at no charge, you must provide proof of purchase within 30 days.

If you need assistance with assembly or replacement parts, please call Linon Customer service, prior to returning the item to the store.

HARDWARE PACKAGE COUNT (CORNER BENCH)

OPEN HARDWARE PACKAGE ON A FLAT SURFACE COVERED WITH NEWSPAPER. COUNT EACH PIECE OF HARDWARE TO MATCH THE QUANTITY NUMBER IN THE HARDWARE IDENTIFICATION COLUMN. CALL CUSTOMER SERVICE IF ANY PARTS ARE MISSING. FOLLOW THE LETTER IDENTIFICATION WHEN READING THE ASSEMBLY DRAWING "A" THROUGH "X".

HARDWARE IDENTIFICATION

A		WOODEN DOWEL 1 3/16" LONG 8 x 30mm	33
B		WOODEN DOWEL 8 x 20mm	12
C		SCREW 1 3/16" LONG 4,5 x 35mm	37
D		SCREW 1 3/16" LONG 4,5 x 30mm	37
E		SCREW 3,5 x 14mm	30
G		SCREW 7 x 40mm	05
H		UNION SCREW	08
I		STEM	04
J		ALLEN WRENCH	02
K		SAFETY HINGE	02
L		SCREW M4 x 19mm	04
M		RIGHT RUNNER	01
N		LEFT RUNNER	01
O		HINGE	03
P		HANDLE	02
Q		SCREW 3,5 x 14mm	12
R		WOODEN DOWEL 2" LONG 10 x 50mm	03
U		WOODEN DOWEL 2" LONG 8 x 50mm	06
V		WOODEN DOWEL 1 3/16" LONG 10 x 30mm	10
X		SCREW 7 x 60mm	07

IMPORTANT:

PLEASE USE ALL THE HARDWARE MENTIONED ABOVE.
THEY WILL ASSURE THE ITEM STABILITY AND SAFETY.

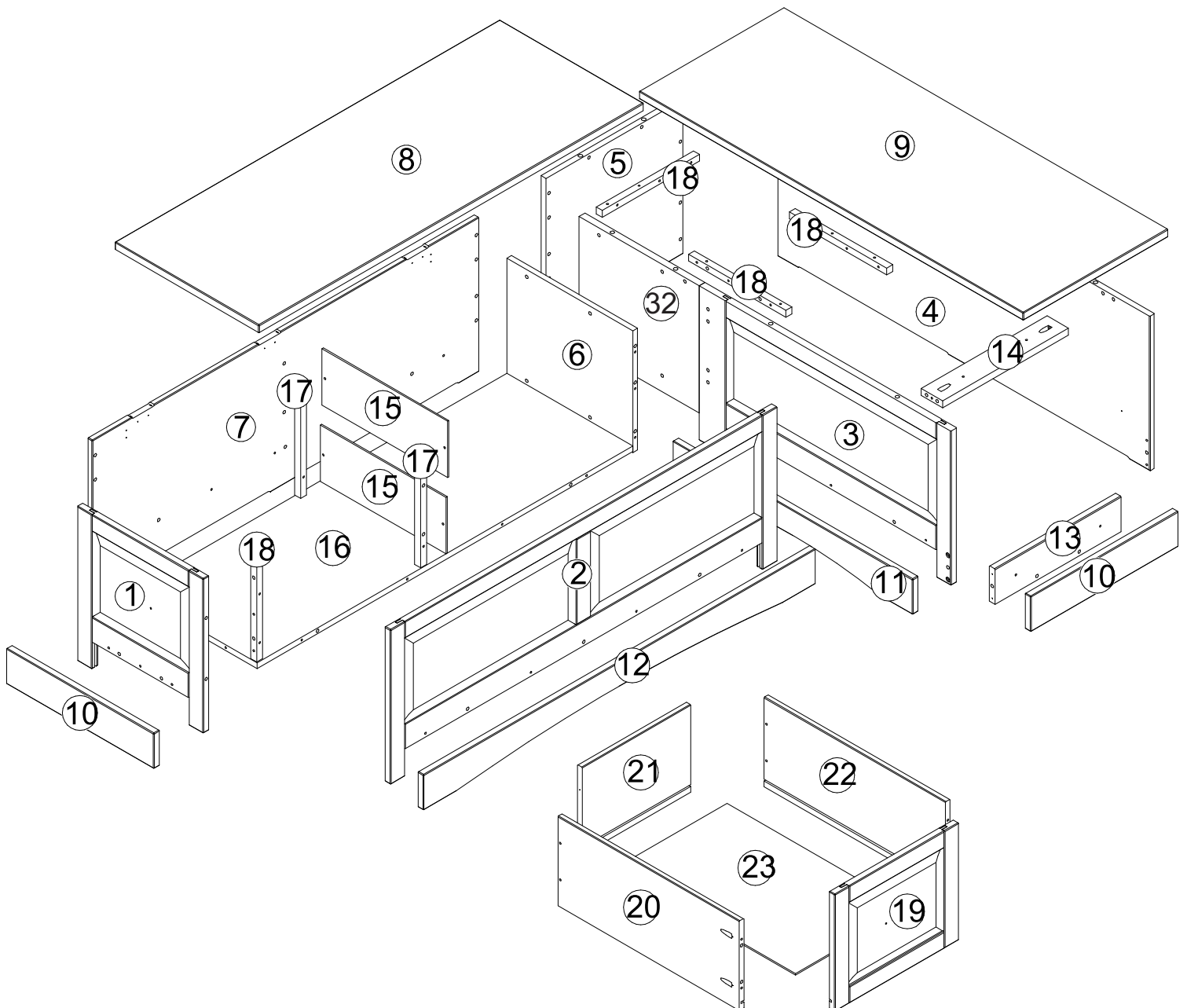
TOOLS REQUIRED

A STANDARD PHILLIPS HEAD SCREWDRIVER (NOT PROVIDED) AND AN ALLEN WRENCH (PROVIDED J).
USE A PLASTIC HEAD Mallet TO TAP IN WOODEN DOWELS. NOTE: A PIECE OF WOOD CAN ALSO
BE USED TO KNOCK IN WOODEN DOWELS.

BEFORE YOU BEGIN ASSEMBLY, SELECT AN OPEN SPACE, PREFERABLY ON A CARPET AREA.
IF ASSEMBLING ON A HARD SURFACE, OR ON A WOOD FLOOR, USE A BLANKET
TO PREVENT SCRATCHING FURNITURE AS WELL AS WOOD FLOOR.

PARTS IDENTIFICATION

- | | |
|---------------------------------|------------------------------|
| 1 – LEFT SIDE PANEL | 13 – SIDE RAIL |
| 2 – LARGE FRONT PANEL | 14 – UNION RAIL |
| 3 – SMALL FRONT PANEL | 15 – STORAGE DIVISION (2X) |
| 4 – SMALL STORAGE BACK PANEL | 16 – LARGE BOTTOM PANEL |
| 5 – SMALL BACK PANEL | 17 – STORAGE CLEAT (2X) |
| 6 – DIVISON | 18 – CLEAT (4X) |
| 7 – LARGE STORAGE BACK PANEL | 19 – DRAWER FRONT PANEL |
| 8 – OPEN SEAT | 20 – DRAWER LEFT SIDE PANEL |
| 9 – FIXED SEAT | 21 – DRAWER BACK PANEL |
| 10 – SIDE SKIRTING BOARD (2X) | 22 – DRAWER RIGHT SIDE PANEL |
| 11 – SMALL FRONT SKIRTING BOARD | 23 – DRAWER BOTTOM PANEL |
| 12 – LARGE FRONT SKIRTING BOARD | 32 – STORAGE DIVIDER |



STEP 1)

1.1) INSERT (22) WOODEN DOWELS (A) IN THE FOLLOWING PIECES, AS PER DRAWING BELOW:

1 – LEFT SIDE PANEL

6 – DIVISION

10 – SIDE SKIRTING BOARD (2X)

11 – SMALL FRONT SKIRTING BOARD

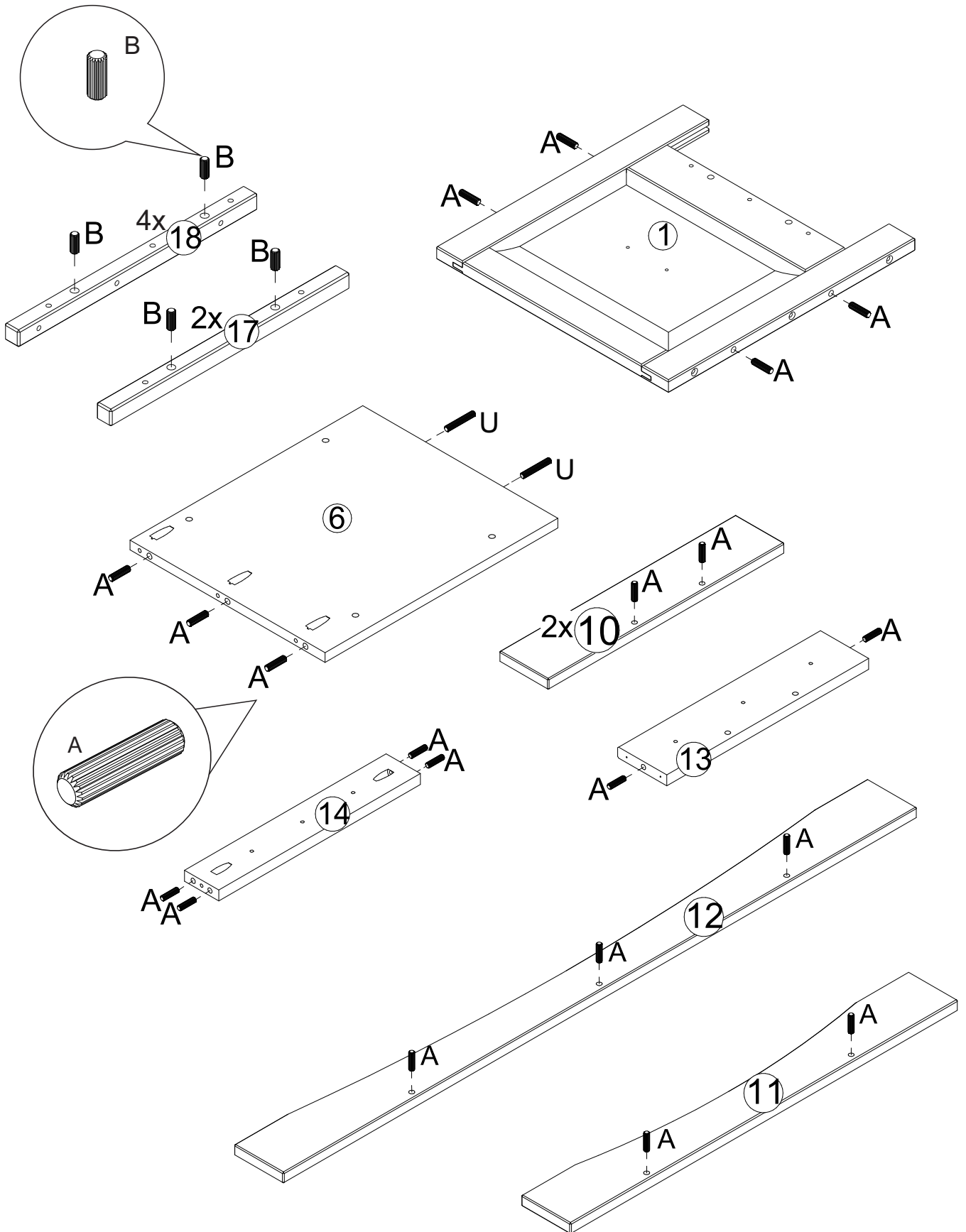
12 – LARGE FRONT SKIRTING BOARD

13 – SIDE RAIL

14 – UNION RAIL

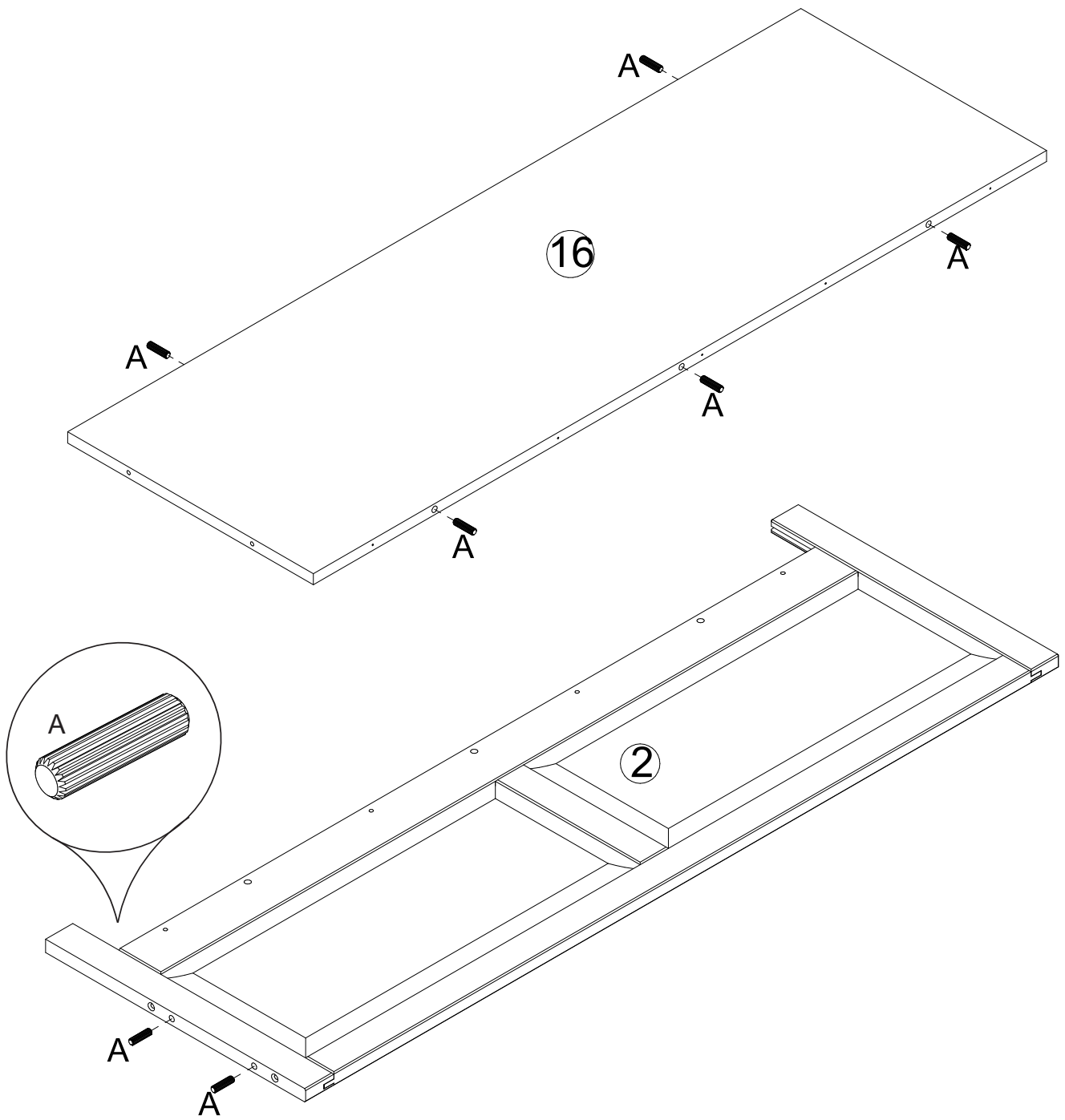
1.2) INSERT (12) WOODEN DOWELS (B) ON THE CLEATS # 17 (2X) AND # 18 (4X), AS PER DRAWING BELOW:

1.3) INSERT (02) LONG WOODEN DOWELS (U) TO PIECE #06 AS PER DEMONSTRATION BELOW:



STEP 1)

1.4) INSERT (07) WOODEN DOWELS (A) TO LARGE BOTTOM PANEL # 16 AND LARGE FRONT PANEL # 02, AS PER DRAWING BELOW:

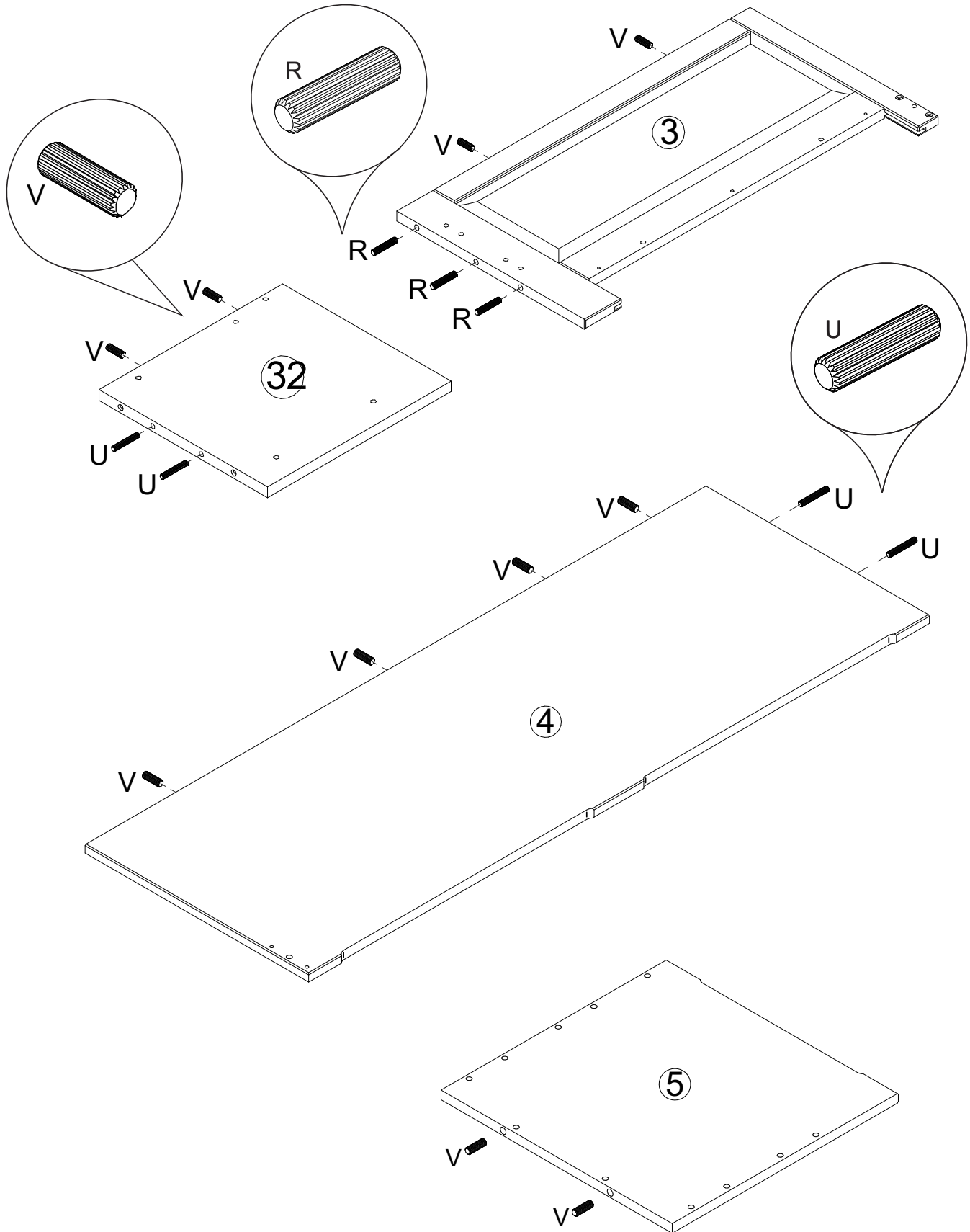


STEP 1)

1.5) INSERT (04) LONG WOODEN DOWELS (U) TO SMALL STORAGE BACK PANEL #04 AND STORAGE DIVIDER, #32 AS PER DRAWING.

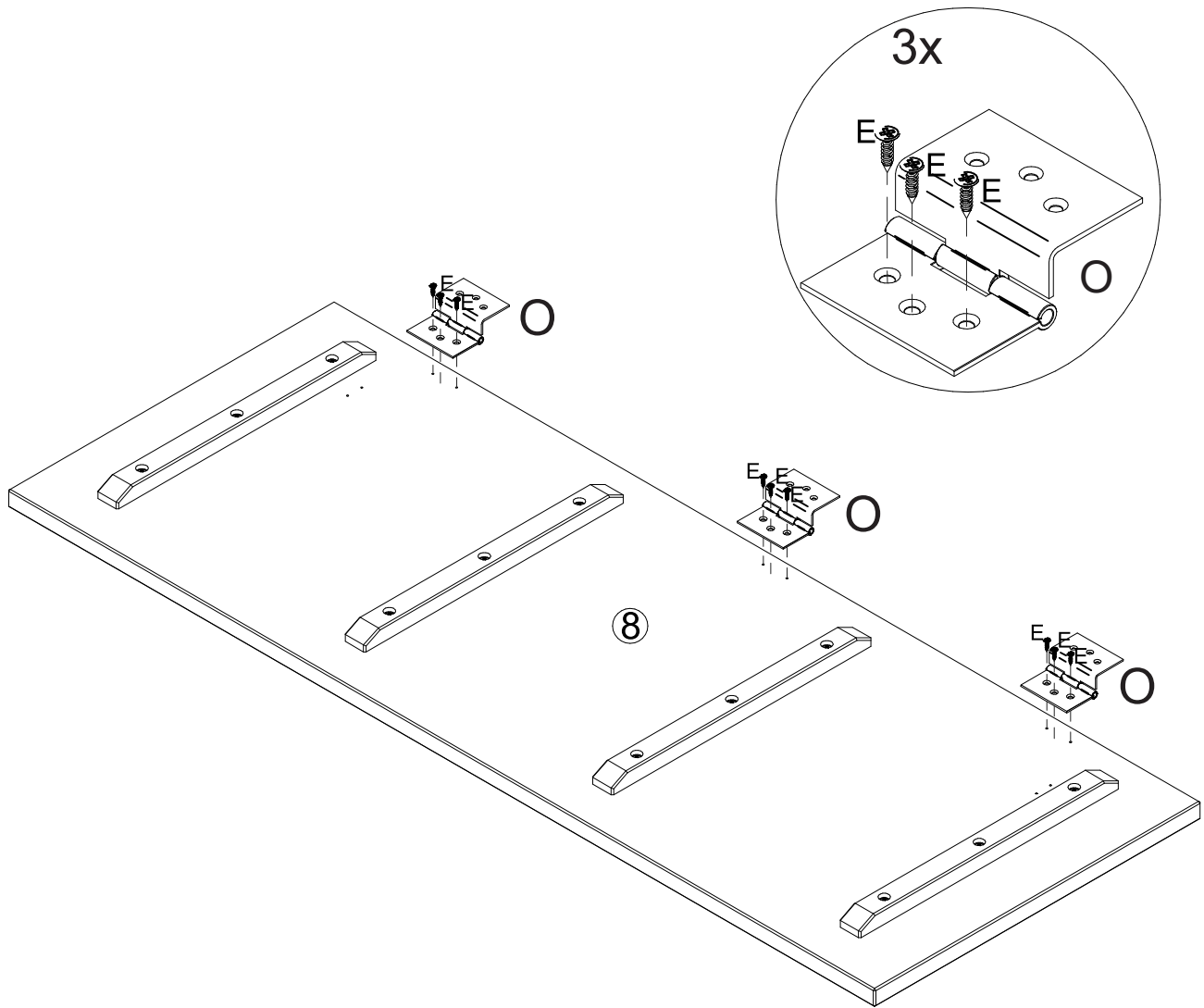
1.6) INSERT (10) WOODEN DOWELS (V) TO PIECES #03,#04,#05 AND #32.

1.7) INSERT (03) WOODEN DOWELS (R) TO SMALL FRONT PANEL #03, AS PER DRAWING.



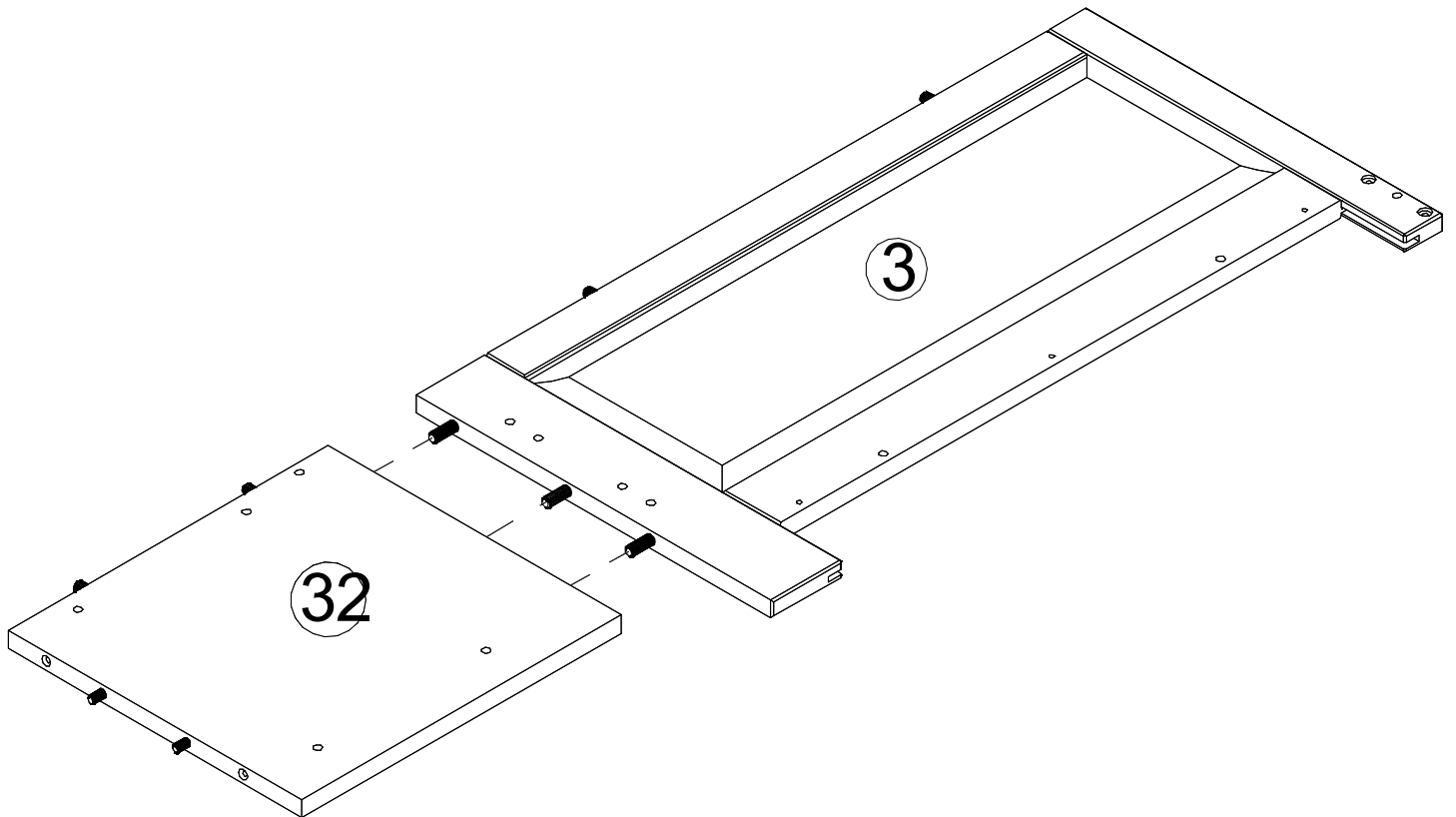
STEP 1)

1.8) FIX (03) HINGES (O) TO OPEN SEAT #08, USING (09) SCREWS (E), A PHILLIPS HEAD SCREWDRIVER (NOT PROVIDED) AND THE PRE-DRILLED HOLES AS GUIDE.



STEP 2)

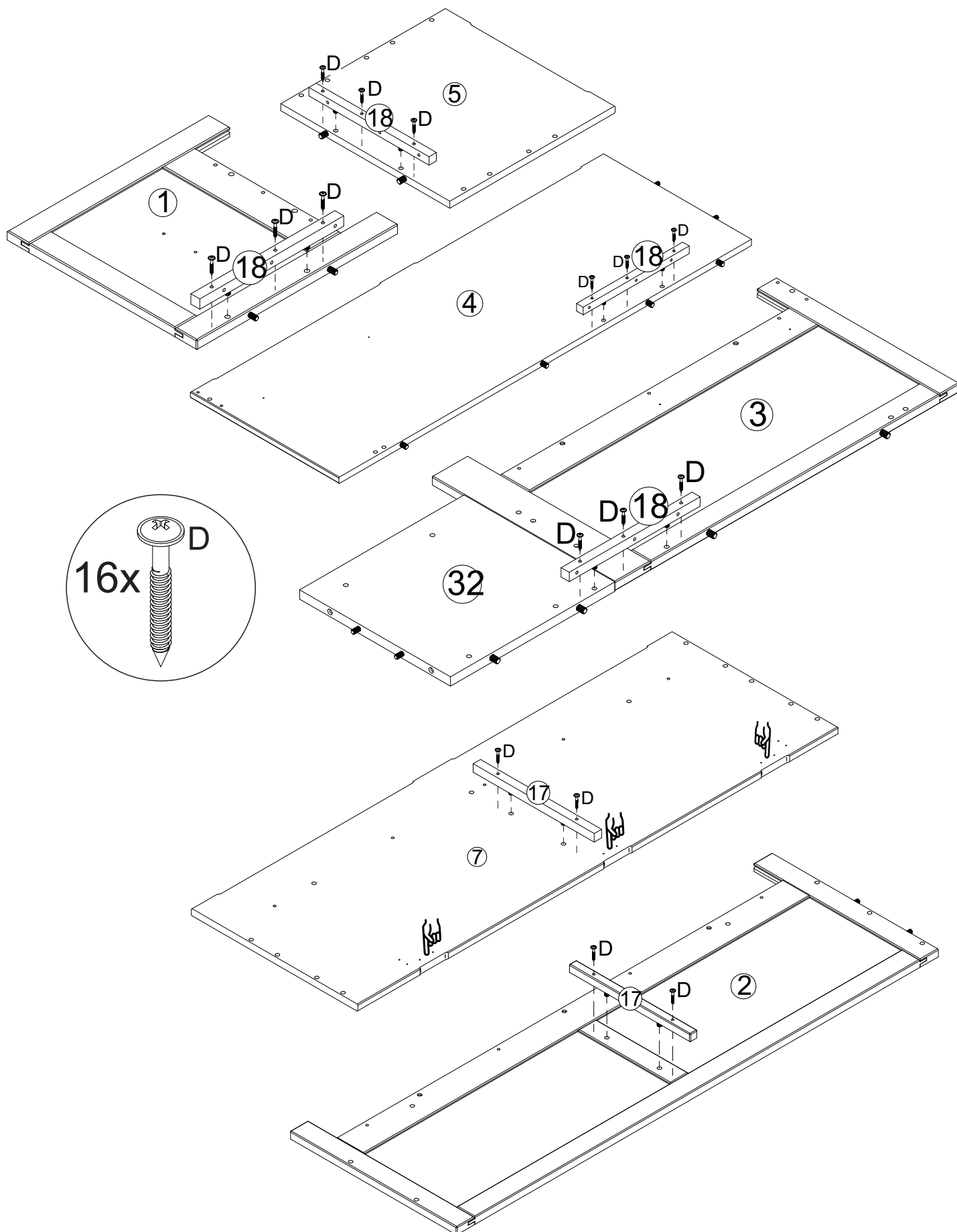
2.1) JOIN SMALL FRONT PANEL #03 TO STORAGE DIVIDER #32, USING THE WOODEN DOWELS ALREADY INSERTED, AS GUIDE.



STEP 3)

3.1) FIX CLEATS # 18 (4X) TO LEFT SIDE PANEL # 1, SMALL FRONT PANEL #3 ALREADY JOINTED WITH PIECE #32 , SMALL STORAGE BACK PANEL #4 AND SMALL BACK PANEL # 5, USING (12) SCREWS (D), A PHILLIPS HEAD SCREWDRIVER (NOT PROVIDED) AND THE PRE-DRILLED HOLES AS GUIDE, AS SHOWN BELOW.

3.2) FIX STORAGE CLEATS #17 (2X) TO LARGE FRONT PANEL #02 AND LARGE STORAGE BACK PANEL #7, USING (04) SCREWS (D), A PHILLIPS HEAD SCREWDRIVER (NOT PROVIDED) AND THE PRE-DRILLED HOLES AS GUIDE, AS SHOWN BELOW.

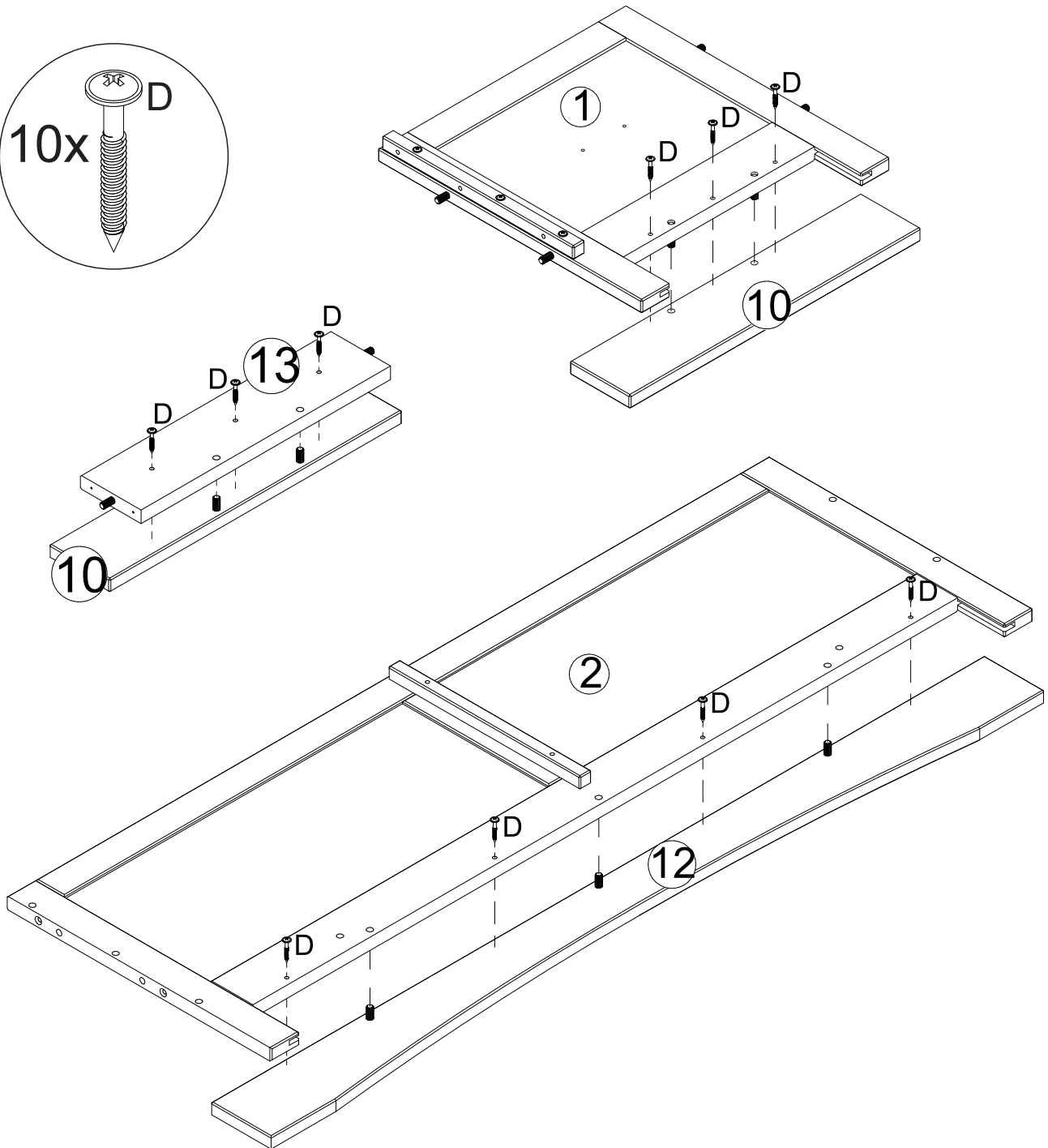
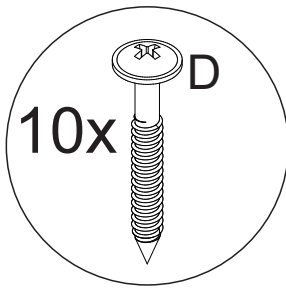


STEP 4)

4.1) JOIN THE PIECES # 10 (2X) TO PIECES #01 AND # 13, USING THE DOWELS ALREADY INSERTED.

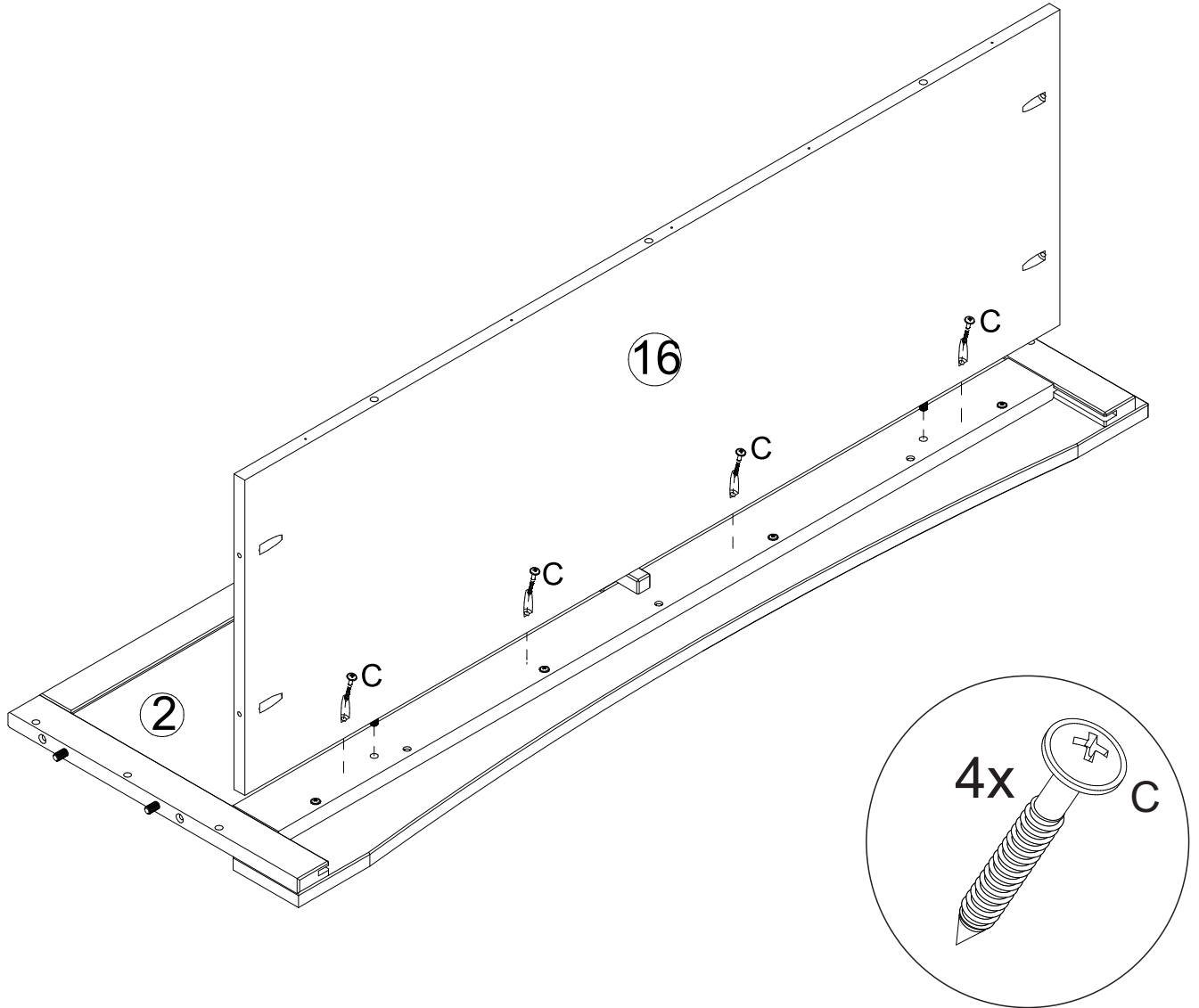
4.2) JOIN THE PIECES # 12 TO PIECE #02, USING THE WOODEN DOWELS ALREADY INSERTED.

4.3) FIX THE PIECES USING (10) SCREWS (D), A PHILLIPS HEAD SCREWDRIVER (NOT PROVIDED) AND THE PRE-DRILLED HOLES AS GUIDE, AS SHOWN BELOW.



STEP 5)

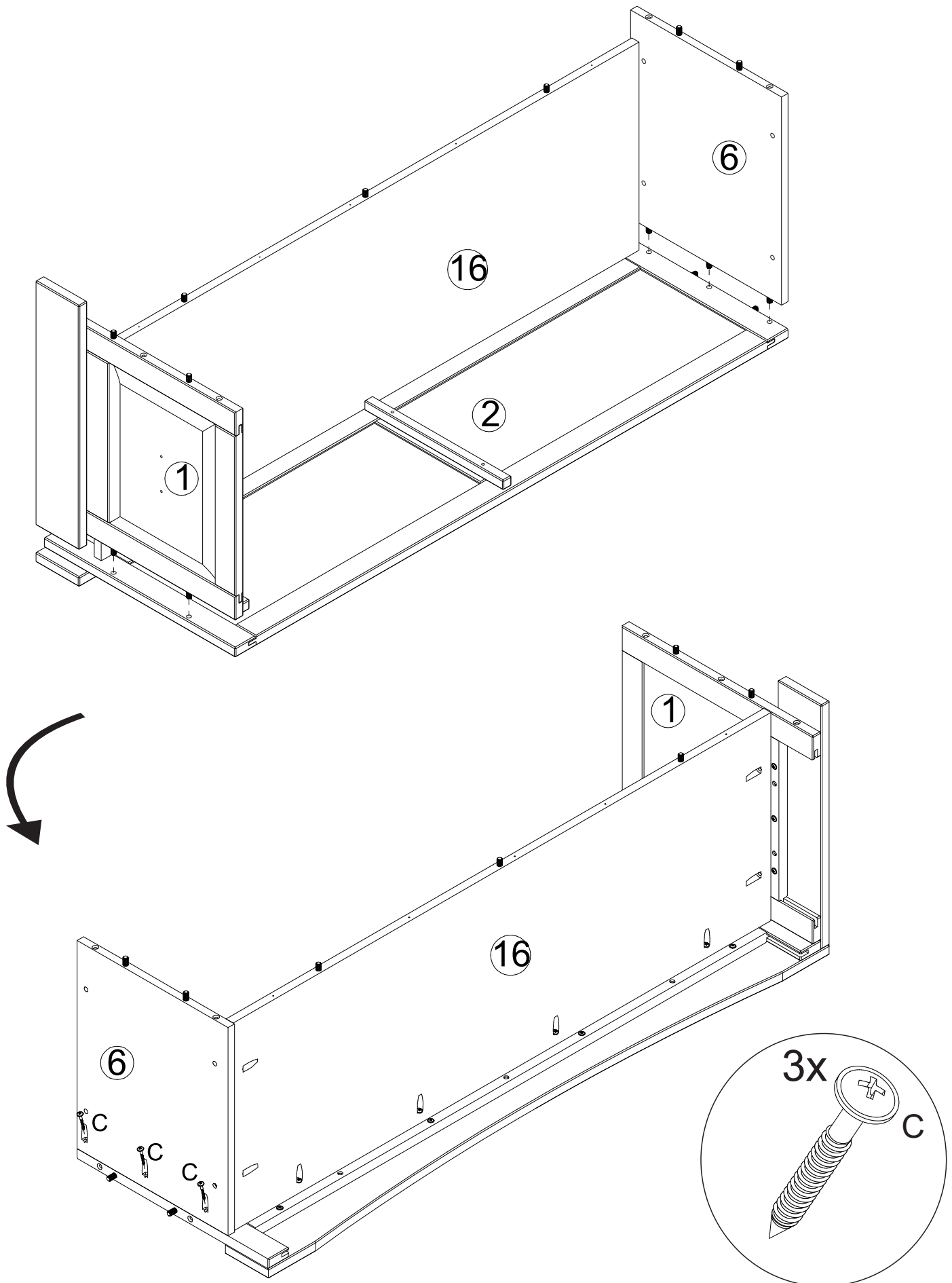
5.1) FIX LARGE BOTTOM PANEL # 16 TO LARGE FRONT PANEL #2, USING (04) SCREWS (C), A PHILLIPS HEAD SCREWDRIVER (NOT PROVIDED) AND THE PRE-DRILLED HOLES AS GUIDE, AS SHOWN BELOW.



STEP 6)

6.1) JOIN PIECES # 1 AND # 6 TO THE PRE ASSEMBLED STRUCTURE, USING THE WOODEN DOWELS ALREADY FIXED.

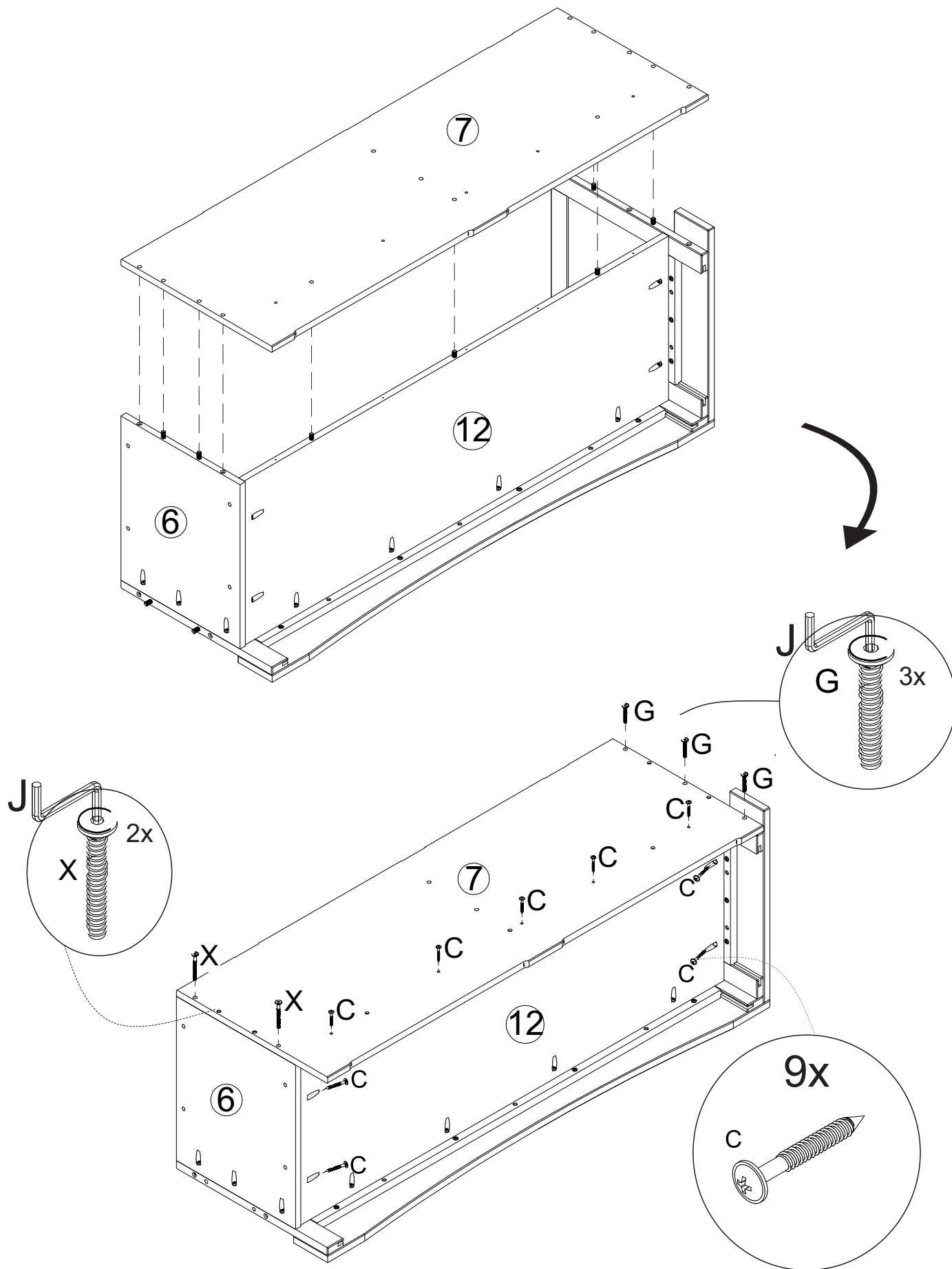
6.2) FIX PIECES USING (07) SCREWS (C), A PHILLIPS HEAD SCREWDRIVER (NOT PROVIDED) AND THE PRE-DRILLED HOLES AS GUIDE.



STEP 7)

7.1 FIX LARGE BACK STORAGE PANEL #07 TO PRE ASSEMBLED STRUCTURE, USING (05) SCREWS (C), (02) SCREWS (X), (03) SCREWS (G), A PHILLIPS HEAD SCREWDRIVER (NOT PROVIDED), AN ALLEN WRENCH (PROVIDED (J)), THE WOODEN DOWELS ALREADY INSERTED AND THE PRE-DRILLED HOLES AS GUIDE .

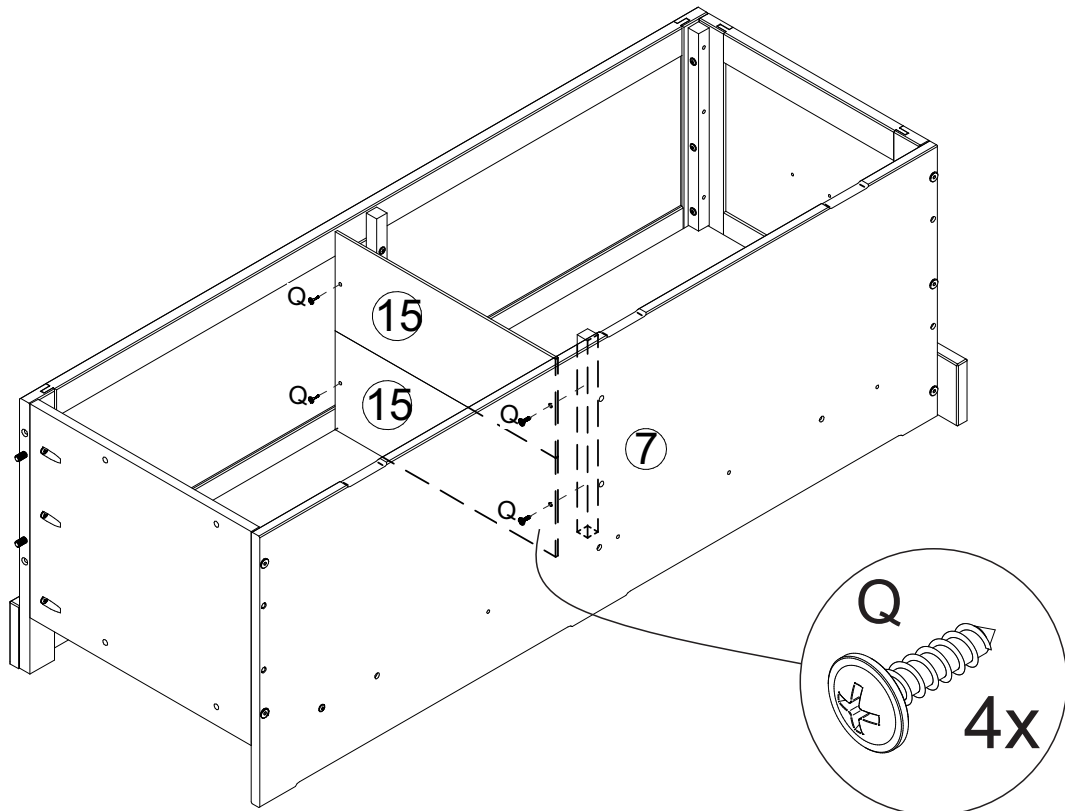
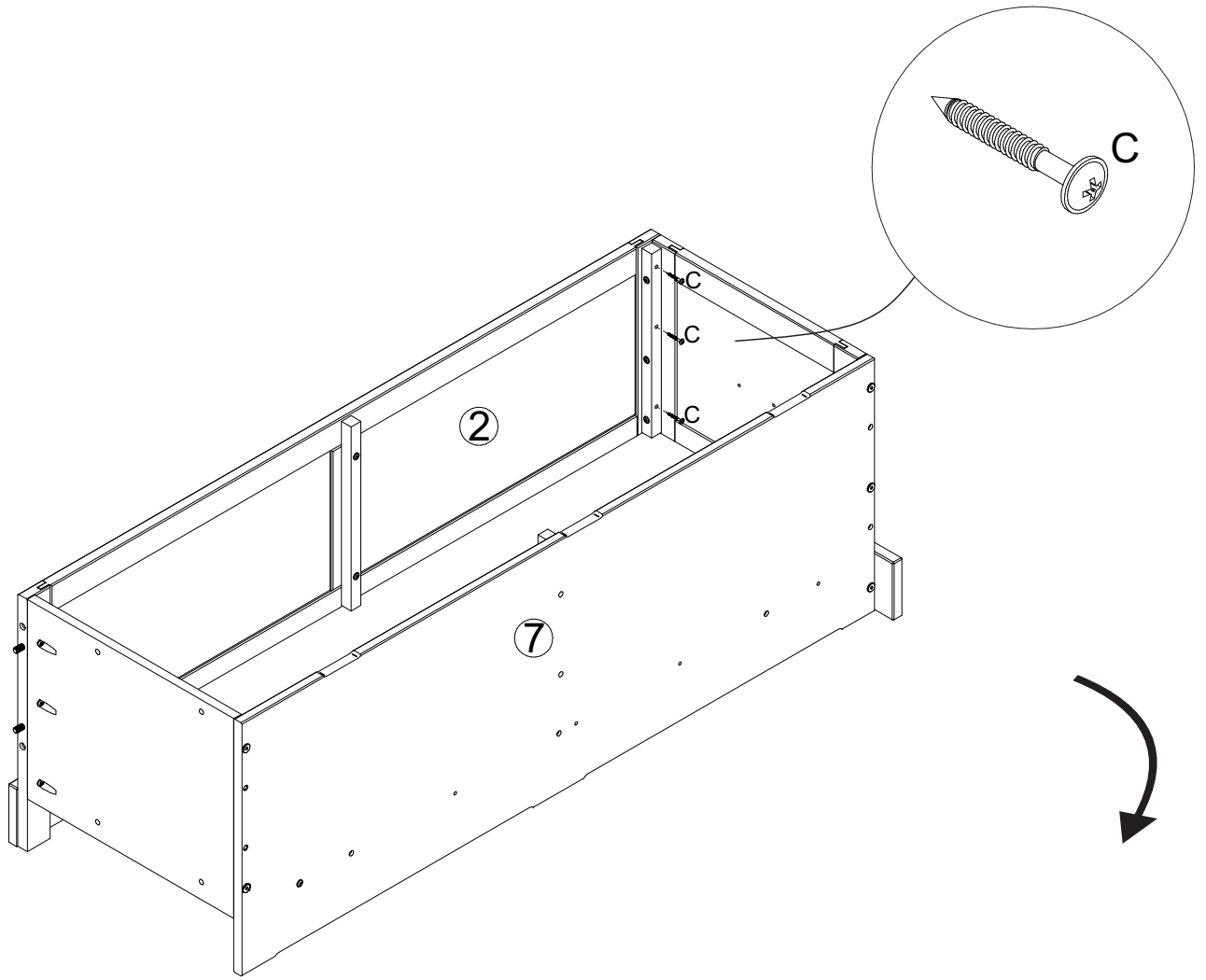
NOTE: MAKE SURE TO USE THE SCREWS (X) TO FIX THE PIECE #07 TO #06 AND THE SCREW (G) THE PIECE #07 TO #01.



STEP 8)

8.1) FIX PIECES #01 AND #02 USING (03) SCREWS (C), A PHILLIPS HEAD SCREWDRIVER (NOT PROVIDED) AND THE PRE DRILLED HOLES AS GUIDE.

8.2) IF YOU LIKE TO USE THE DIVISION IN YOUR STORAGE AREA, FIX THE STORAGE DIVISIONS #15 TO USING (04) SCREWS (Q), A PHILLIPS HEAD SCREWDRIVER (NOT PROVIDED) AND THE PRE-DRILLED HOLES AS GUIDE.

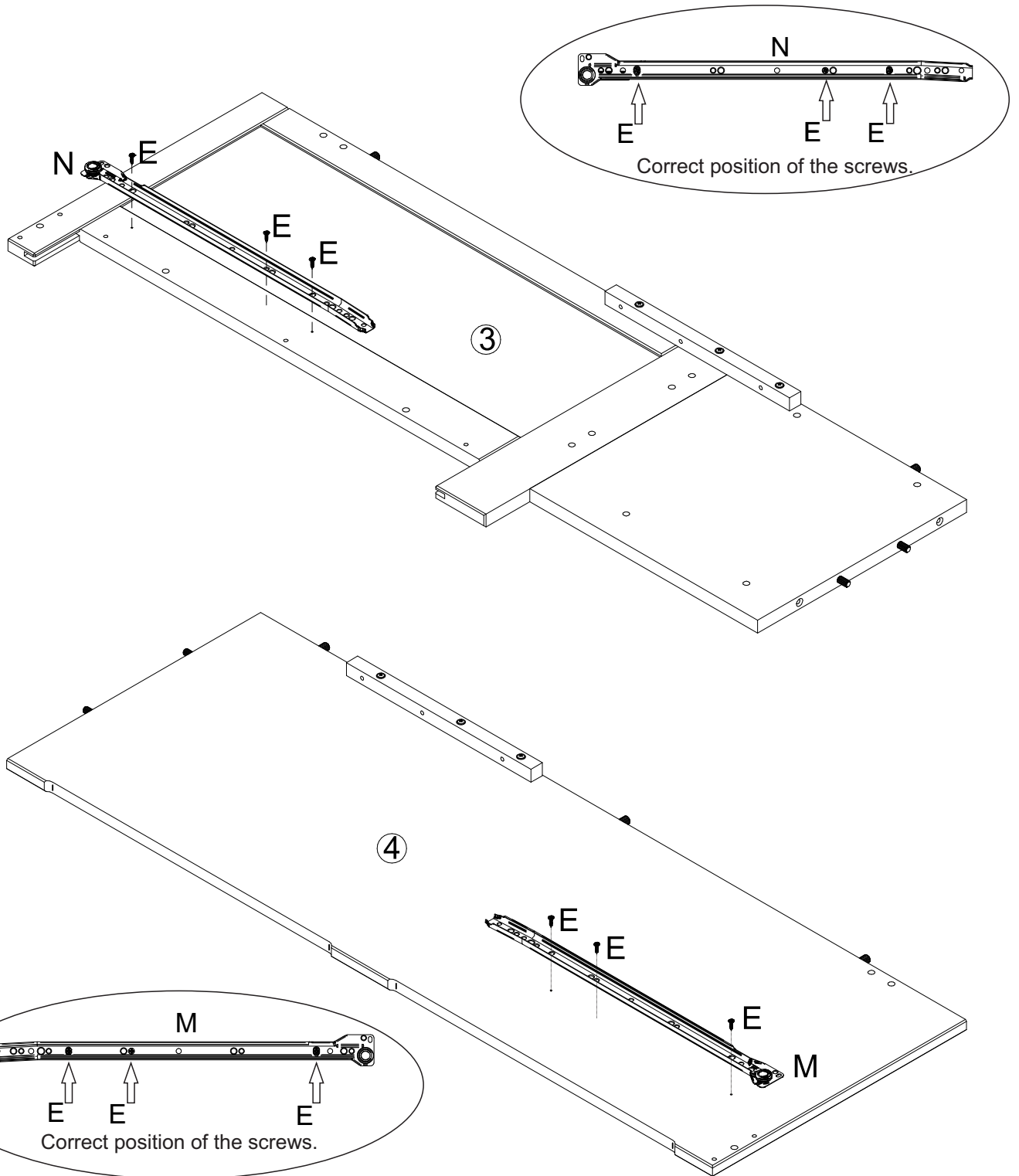


STEP 9)

9.1) FIX THE METAL GLIDE (N) TO SMALL FRONT PANEL #03, USING (03) SCREWS (E) AND A PHILLIPS HEAD SCREWDRIVER (NOT PROVIDED).

9.2) FIX THE METAL GLIDE (M) TO SMALL STORAGE BACK PANEL #04, USING (03) SCREWS (E) AND A PHILLIPS HEAD SCREWDRIVER (NOT PROVIDED).

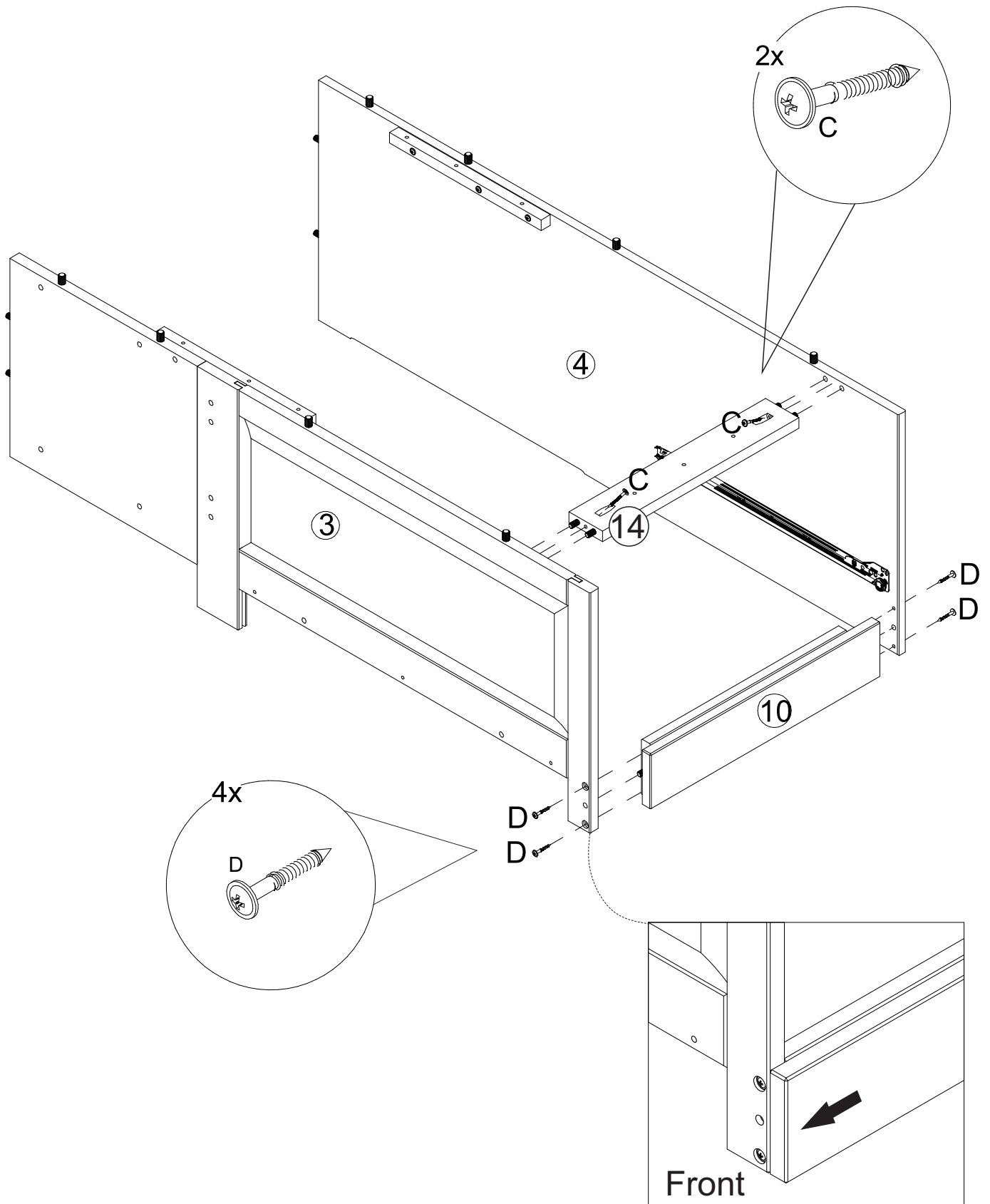
NOTE: PAY ATTENTION ON THE CORRECT POSITION OF THE SCREWS



STEP 10)

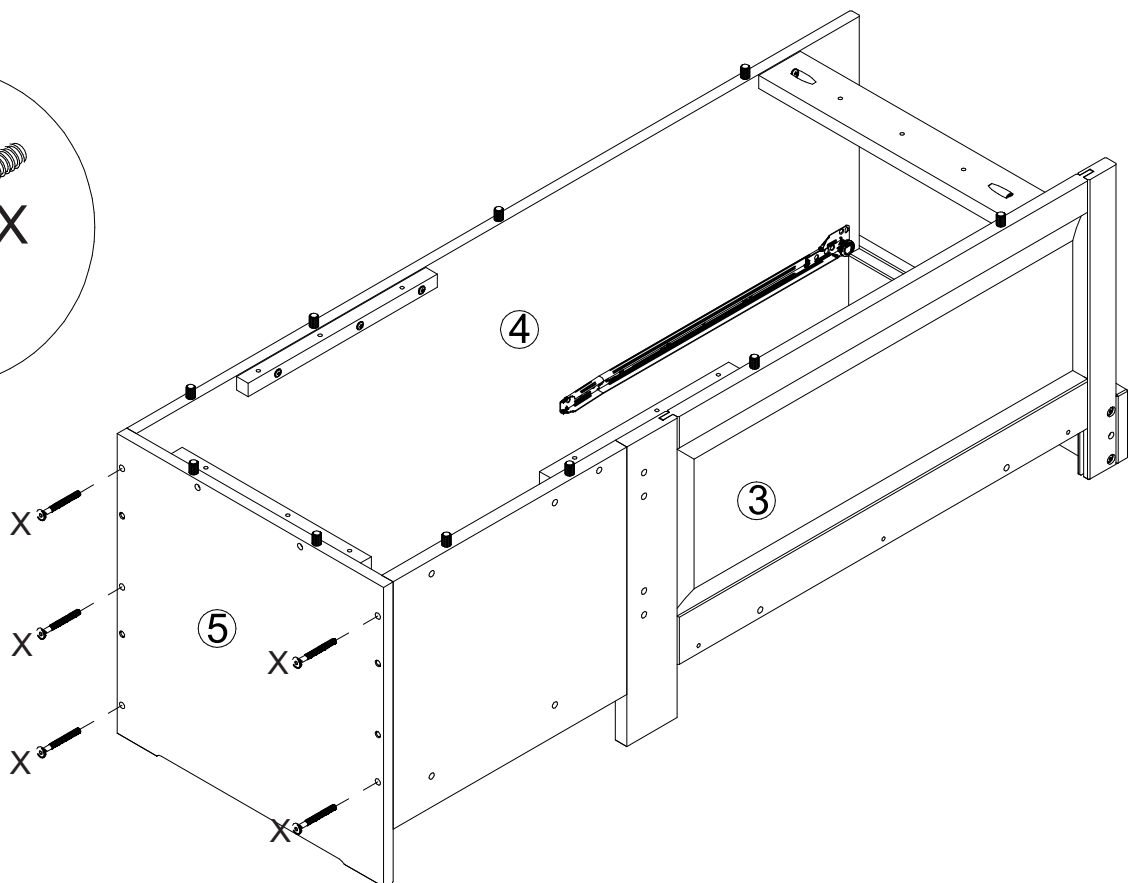
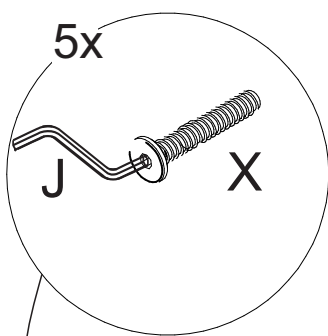
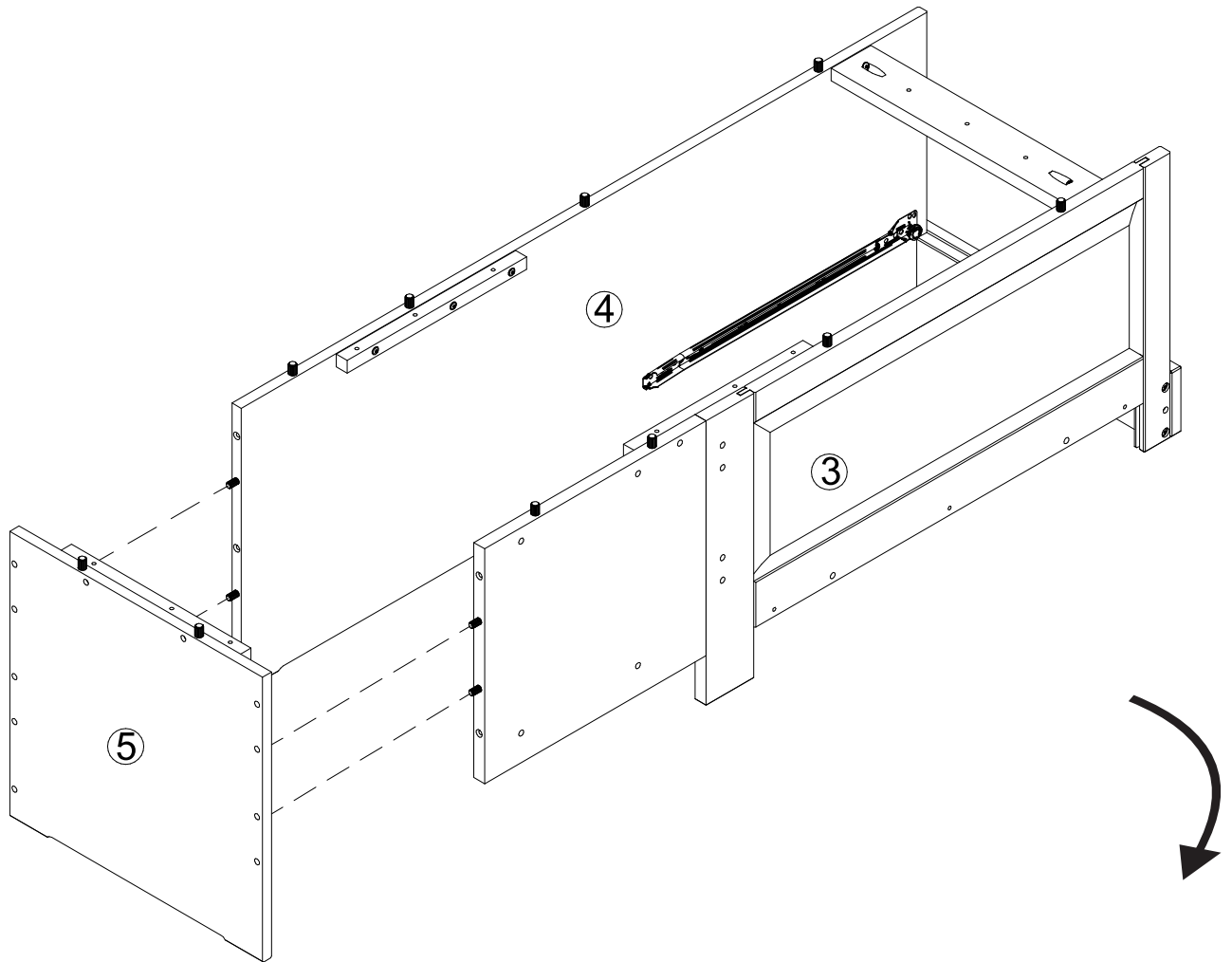
10.1) FIX THE SET OF PIECES #10 AND #13 TO SMALL FRONT PANEL #03 AND SMALL STORAGE BACK PANEL #04, USING (04) SCREWS (D), A PHILLIPS HEAD SCREWDRIVER (NOT PROVIDED), THE WOODEN DOWELS ALREADY INSERTED AND THE PRE-DRILLED HOLES AS GUIDE .

10.2) FIX UNION RAIL # 14 TO SMALL FRONT PANEL #03 AND SMALL STORAGE BACK PANEL #04, USING (02) SCREWS (C), A PHILLIPS HEAD SCREWDRIVER (NOT PROVIDED), THE WOODEN DOWELS ALREADY INSERTED AND THE PRE-DRILLED HOLES AS GUIDE .



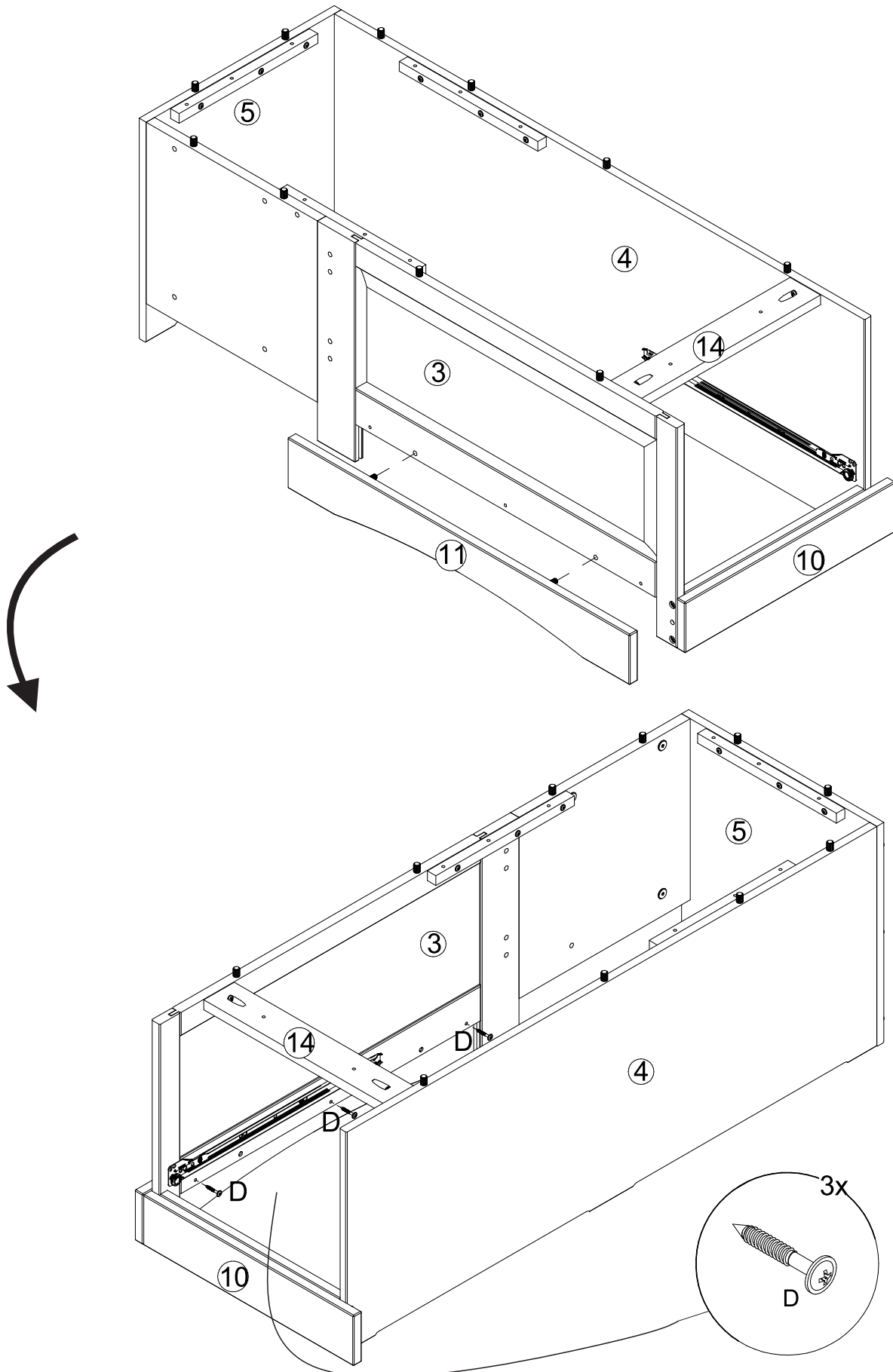
STEP 11)

11.1 COMPLETE THE ASSEMBLY FIXING THE BACK PANEL # 05 WITH (05) SCREWS (X), AN ALLEN WRENCH (PROVDDED J), THE WOODEN DOWELS ALREADY INSERTED AND THE PRE-DRILLED HOLES AS GUIDE .



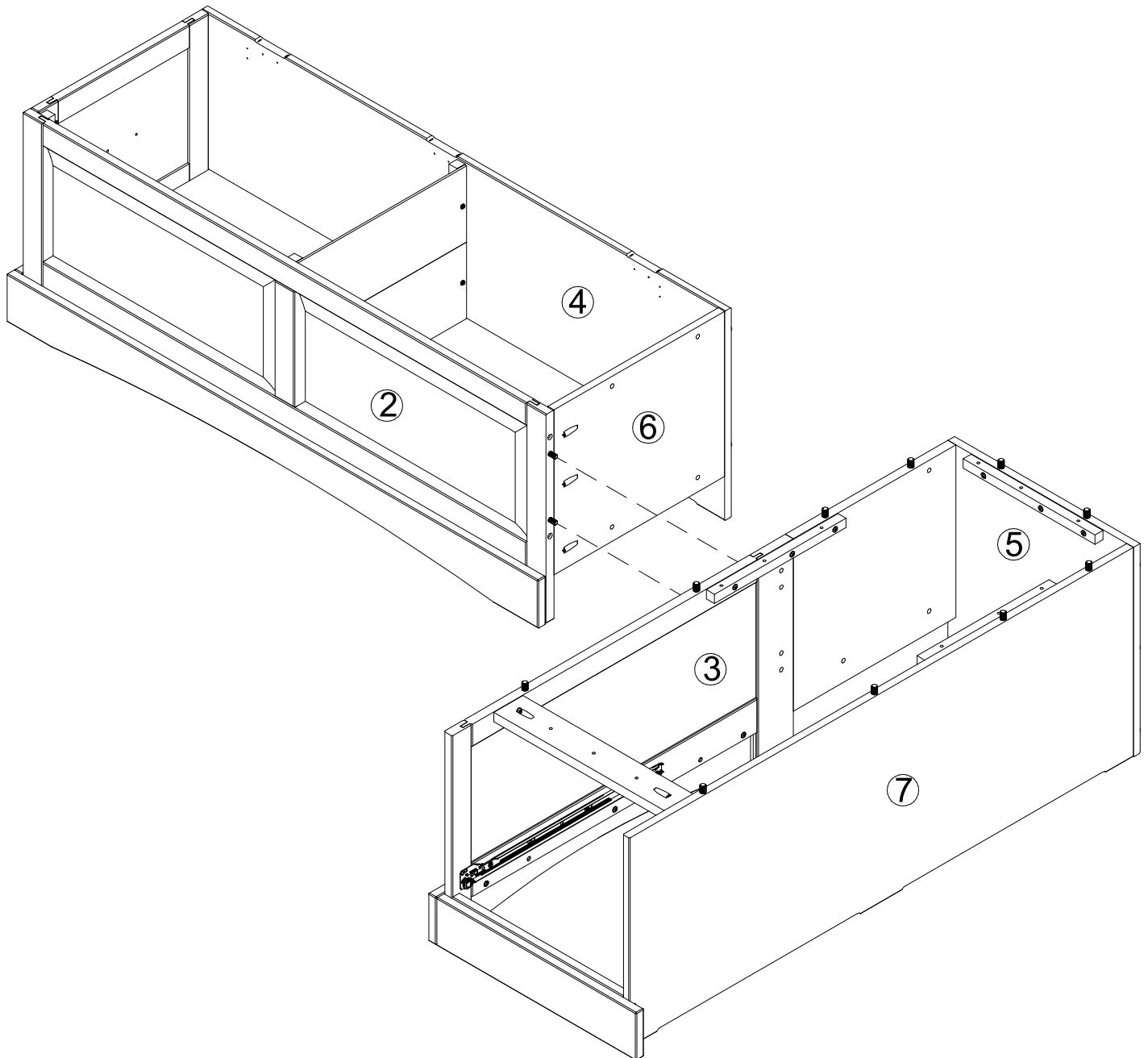
STEP 12)

11.1) FIX SMALL FRONT SKIRTING BOARD #11 TO SMALL FRONT PANEL #03, USING (03) SCREWS (D), A PHILLIPS HEAD SCREWDRIVER (NOT PROVIDED), THE WOODEN DOWELS ALREADY INSERTED AND THE PRE-DRILLED HOLES AS GUIDE .



STEP 13)

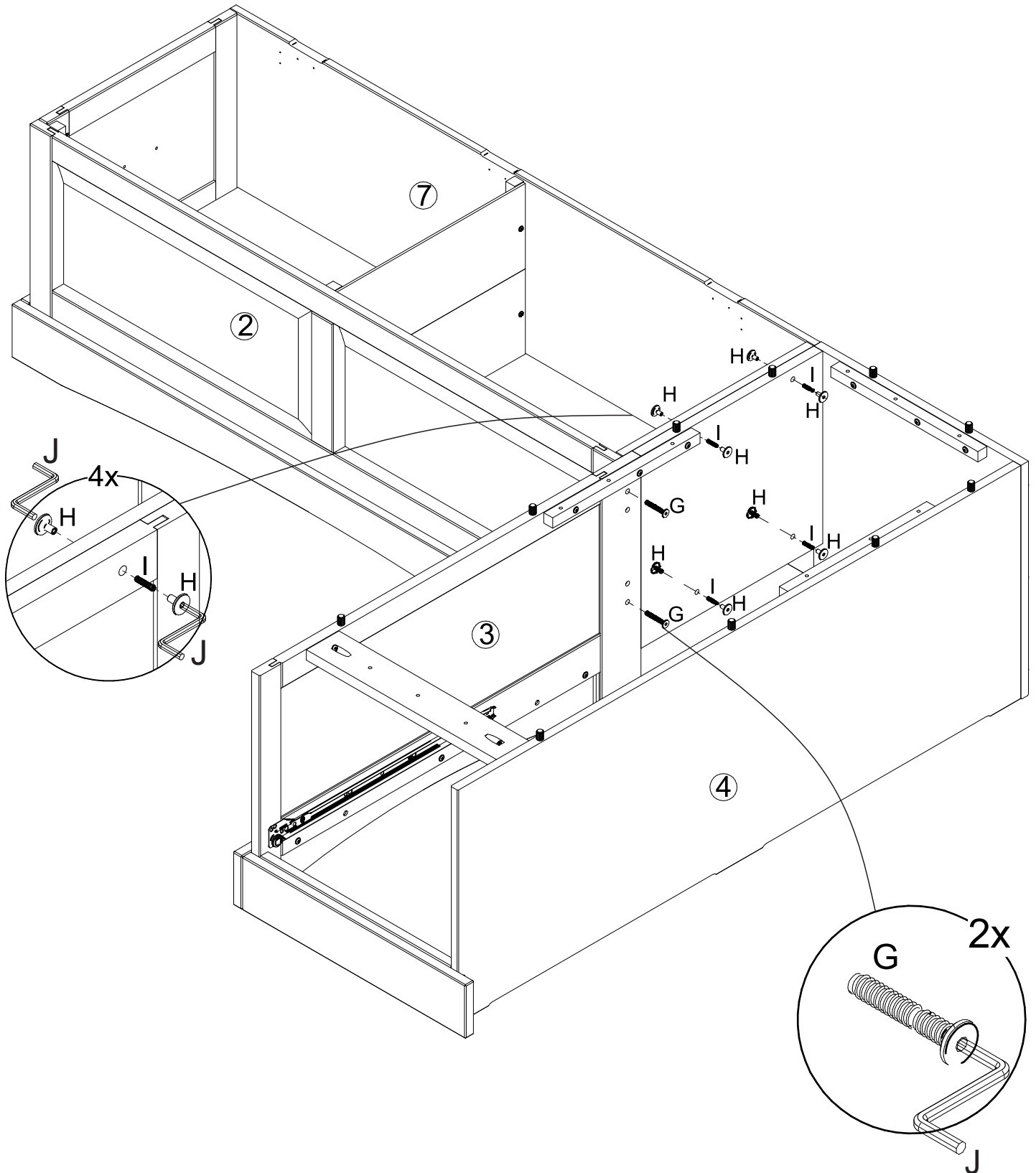
13.1) JOIN BOTH PRE ASSEMBLED STRUCTURES USING THE WOODEN DOWELS AS GUIDE.



STEP 14)

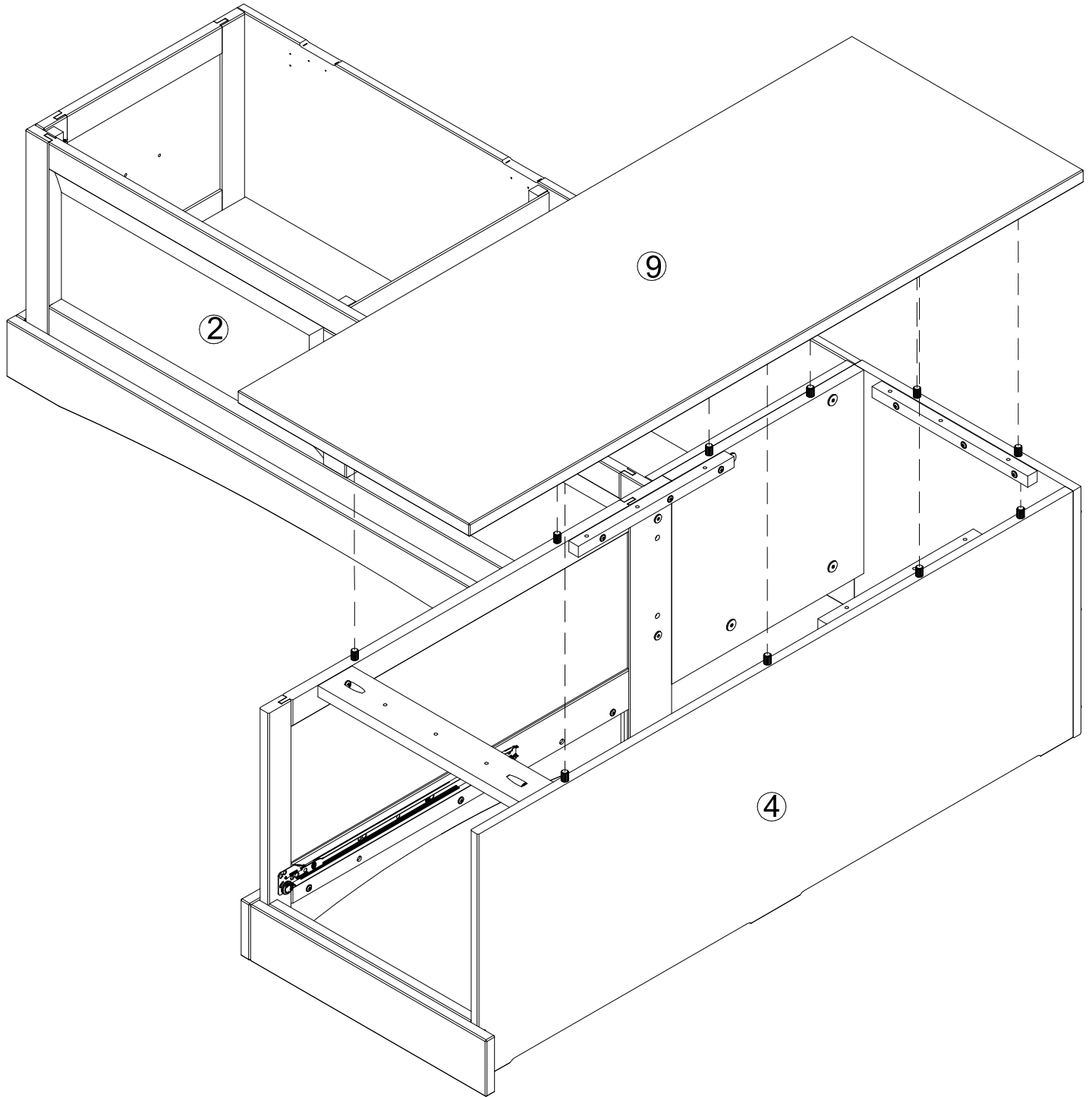
14.1) FIX PIECES USING (02) SCREWS (G) AND AN ALLEN WRENCH (PROVDDED J).

14.2) COMPLETE THE ASSEMBLY USING (04) STEMS (I), (08) UNION SCREWS (H) AND THE ALLEN WRENCH PROVIDED (J), AS PER DRAWING AND DETAILS.



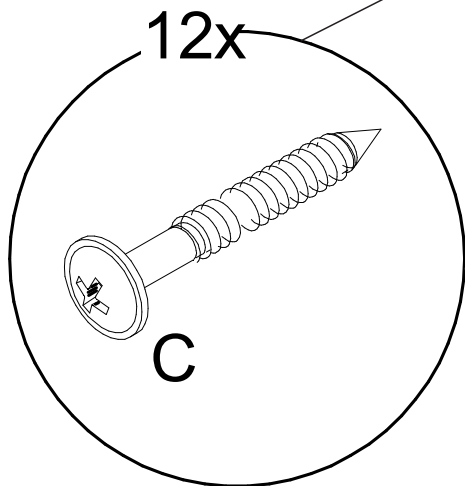
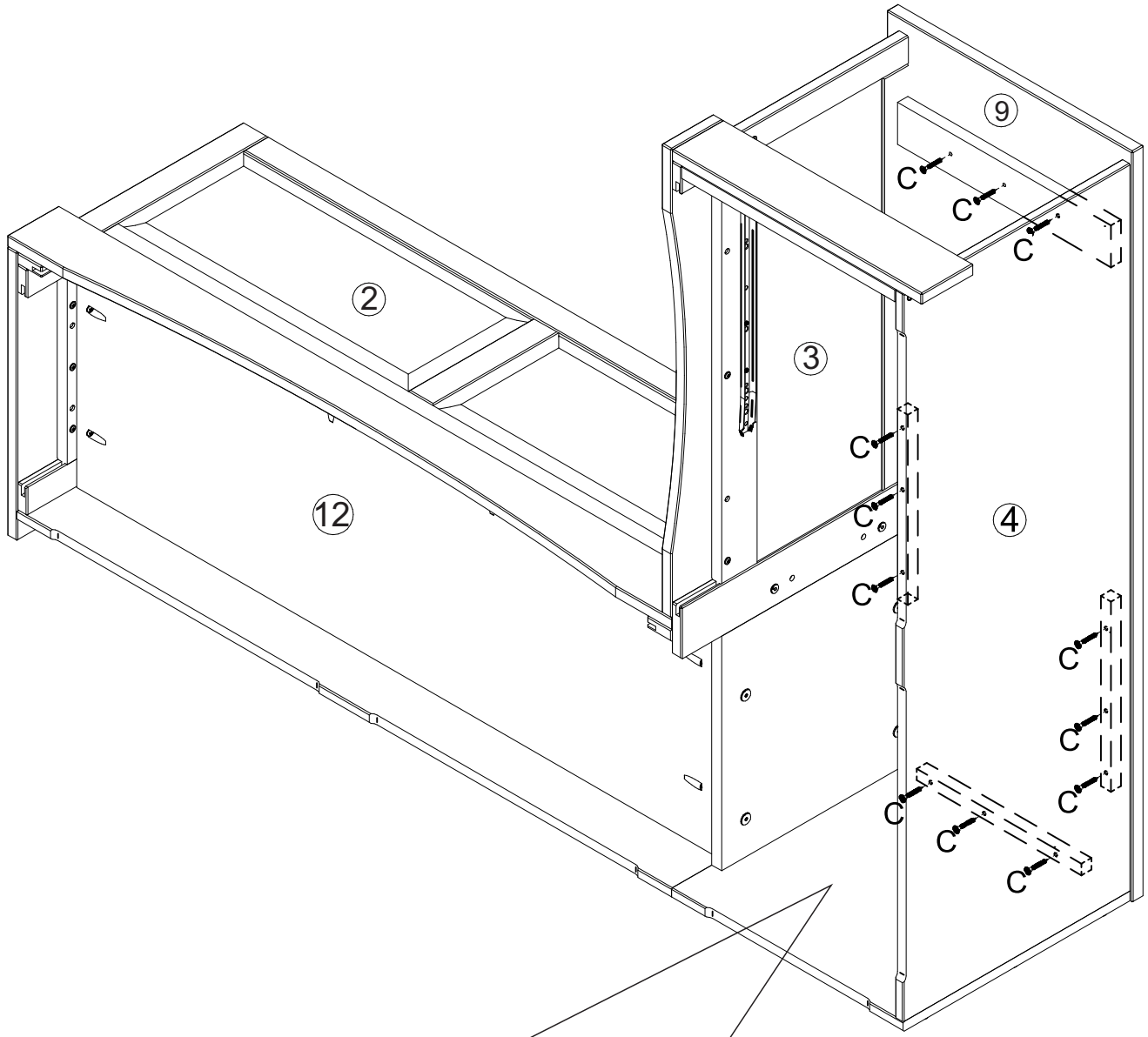
STEP 15)

15.1) JOIN THE FIXED SEAT #9 TO ASSEMBLED STRUCTURE USING THE WOODEN DOWELS ALREADY INSERTED, AS PER DRAWING BELOW:



STEP 16)

16.1) FIX THE SEAT USING (12) SCREWS (C), A PHILLIPS HEAD SCREWDRIVER (NOT PROVIDED) AND THE PRE-DRILLED HOLES AS GUIDE.



STEP 17)

DRAWER ASSEMBLY

17.1) FIX DRAWER BACK PANEL # 21 TO SIDE PANELS # 20 AND # 22, USING (04) SCREWS (D), A PHILLIPS HEAD SCREWDRIVER (NOT PROVIDED) AND THE PRE-DRILLED HOLES AS GUIDE .

17.2) SLIDE THE BOTTOM PANEL # 23, USING THE GROOVE AS GUIDE.

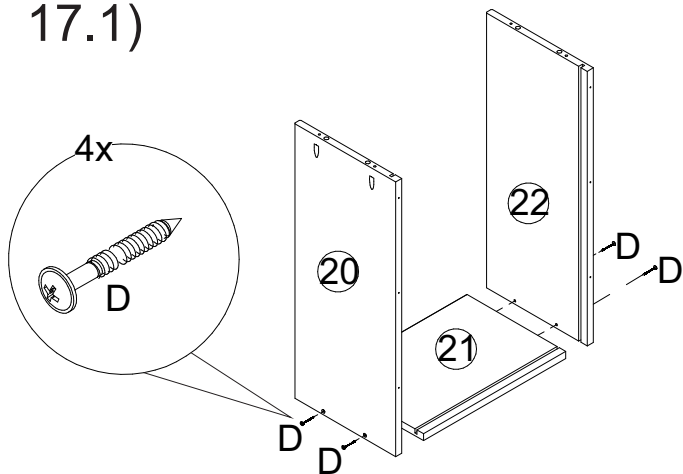
17.3) ATTACH (01) HANDLE (P) TO DRAWER FRONT PANEL #19, USING (02) SCREWS (L), A PHILLIPS HEAD SCREWDRIVER (NOT PROVIDED) AND THE PRE-DRILLED HOLES AS GUIDE .

17.4) INSERT (04) WOODEN DOWELS (A) TO PIECES # 20 AND # 22. THEN JOIN THE DRAWER FRONT PANEL # 19.

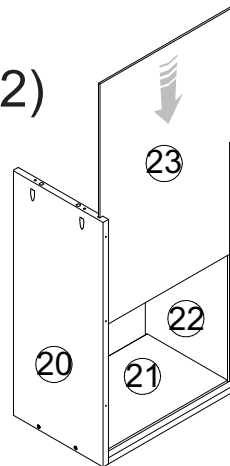
17.5) FIX DRAWER FRONT PANEL # 19, USING (04) SCREWS (C), A PHILLIPS HEAD SCREWDRIVER (NOT PROVIDED) AND THE PRE-DRILLED HOLES AS GUIDE .

17.6) FIX THE METAL GLIDE (N) TO PIECE # 20 AND THE METAL GLIDE (M) TO PIECE #22, USING (06) SCREWS (E) AND A PHILLIPS HEAD SCREWDRIVER (NOT PROVIDED). PAY ATTENTION ON THE DRAWING AND DETAILS.

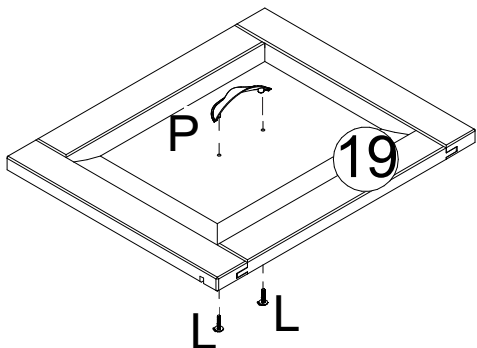
17.1)



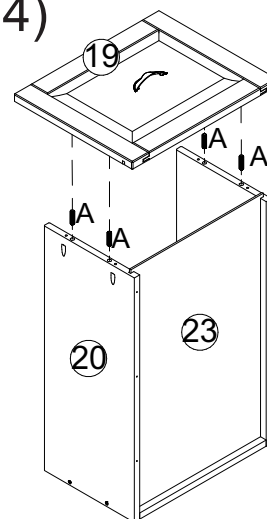
17.2)



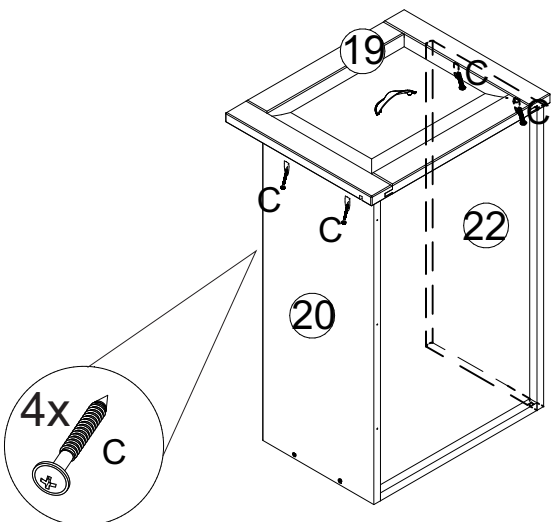
17.3)



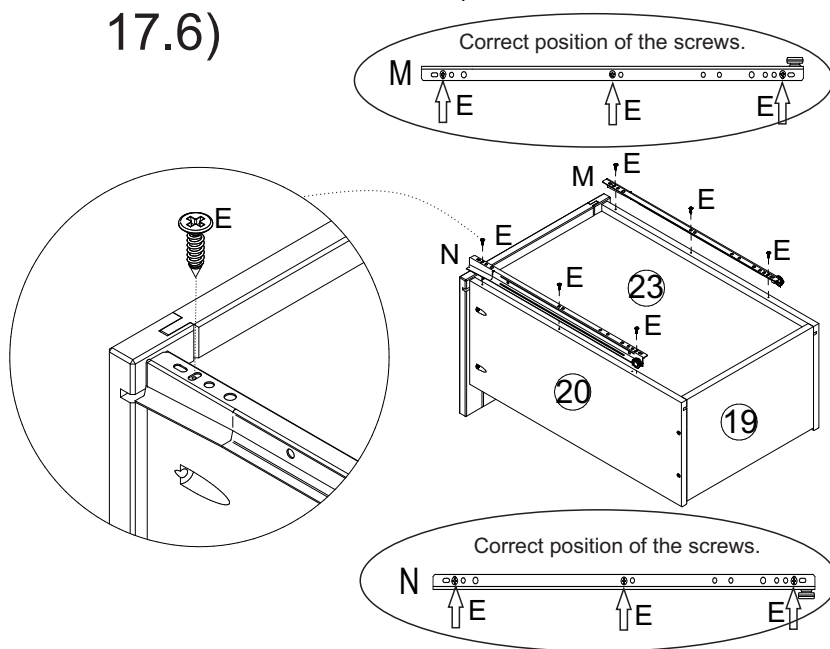
17.4)



17.5)



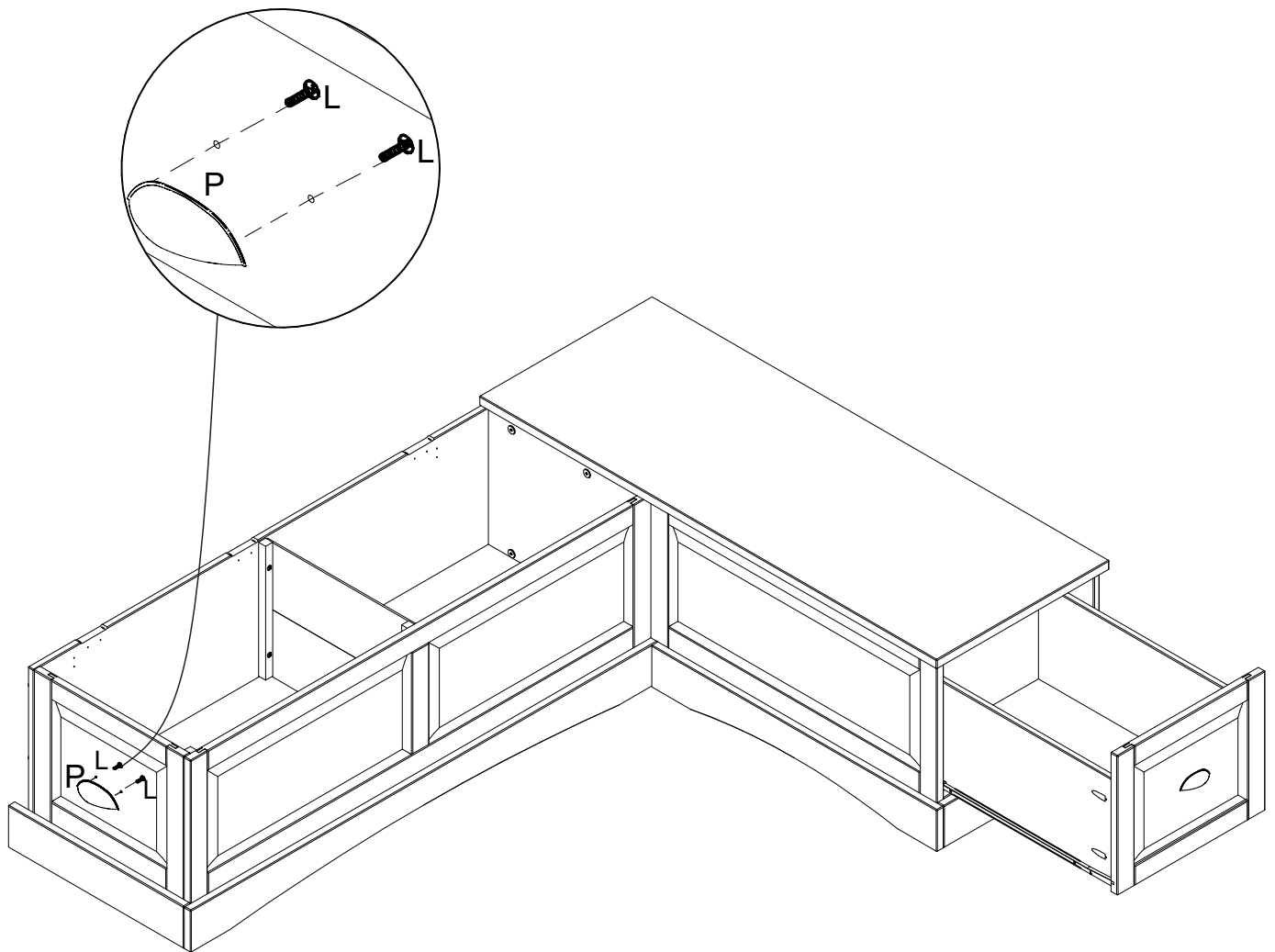
17.6)



STEP 18)

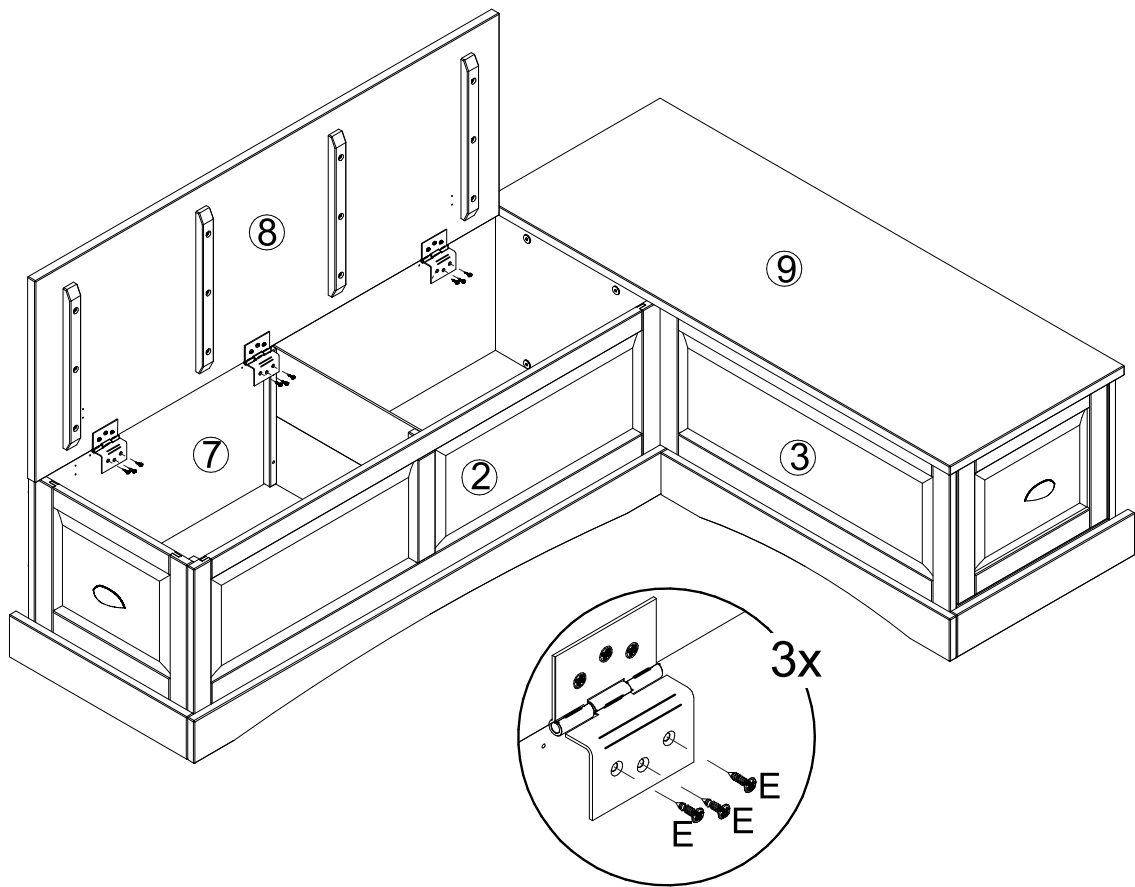
18.1) ATTACH (01) HANDLE (P) TO SIDE PANEL #1, USING (02) SCREWS (L), A PHILLIPS HEAD SCREWDRIVER (NOT PROVIDED) AND THE PRE-DRILLED HOLES AS GUIDE .

NOTE: THIS HANDLE IS NOT FUNCTIONAL. IT'S JUST A DETAIL



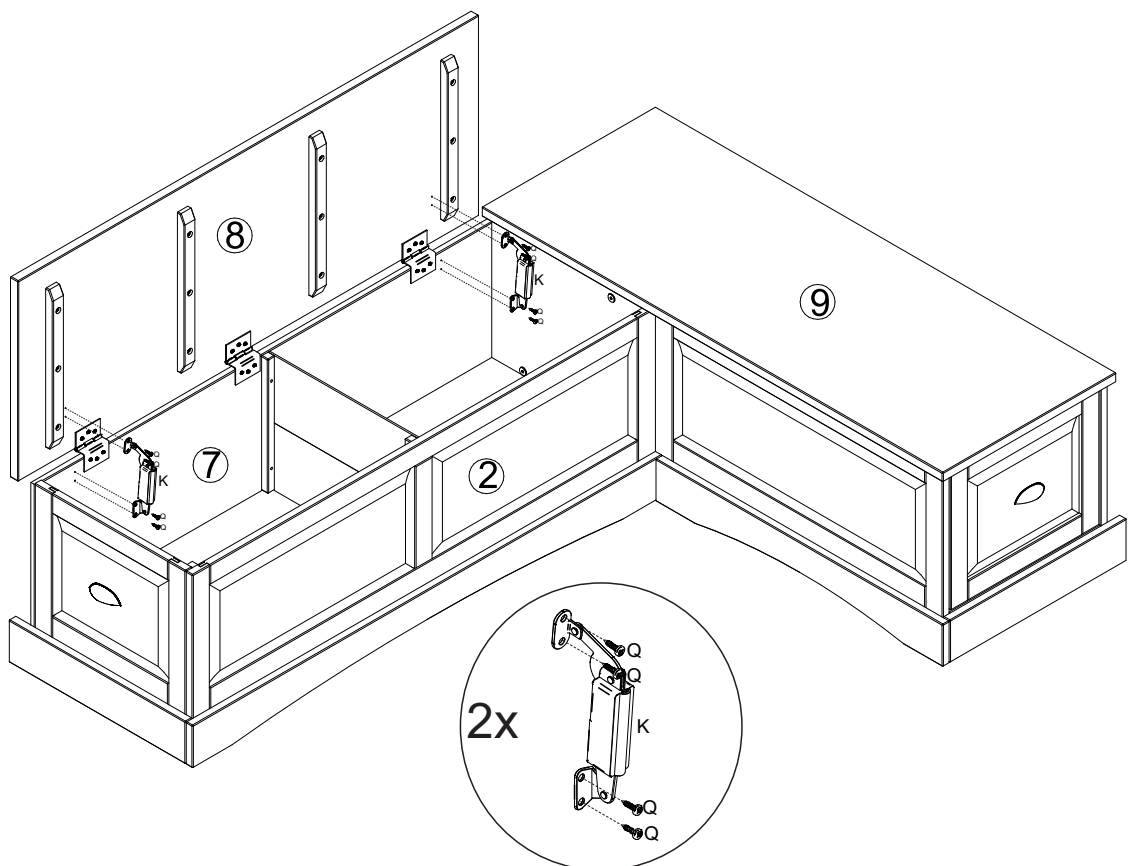
STEP 19)

19.1) FIX THE HINGES ALREADY ATTACHED TO OPEN SEAT # 8 TO STORAGE BACK PANEL # 7, USING (09) SCRWES (E) AND A PHILLIPS HEAD SCREWDRIVER (NOT PROVIDED).



19.2) FIX (02) SAFETY HINGE (K), USING (08) SCRWS (K) AND A PHILLIPS HEAD SCREWDRIVER (NOT PROVIDED).

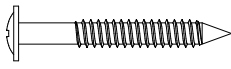



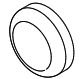
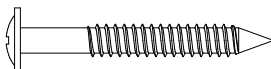

NOTE: CAREFULLY PAY ATTENTION ON THE PRE-DRILLED HOLES AND THE CORRECT POSITION ON THE HINGE. THIS WILL ASSURE THAT HINGE WILL PERFECTLY WORKS.



HARDWARE PACKAGE COUNT(TABLE)

OPEN HARDWARE PACKAGE ON A FLAT SURFACE COVERED WITH NEWSPAPER. COUNT EACH PIECE OF HARDWARE TO MATCH THE QUANTITY NUMBER IN THE HARDWARE IDENTIFICATION COLUMN. CALL CUSTOMER SERVICE IF ANY PARTS ARE MISSING. FOLLOW THE LETTER IDENTIFICATION WHEN READING THE ASSEMBLY DRAWING "C" THROUGH "Z".

HARDWARE IDENTIFICATION

C		4,5 x 35mm	SCREW 1 3/16" LONG	08
F		7 x 70mm	SCREW 2 3/4" LONG	04
J			ALLEN WRENCH	01
R		10 x 50mm	WOOD DOWEL 2" LONG	10
S			SCREW TAP	04
T		4,5 x 50mm	SCREW 2" LONG	03
Z			ADHESIVE FELT	04

IMPORTANT:

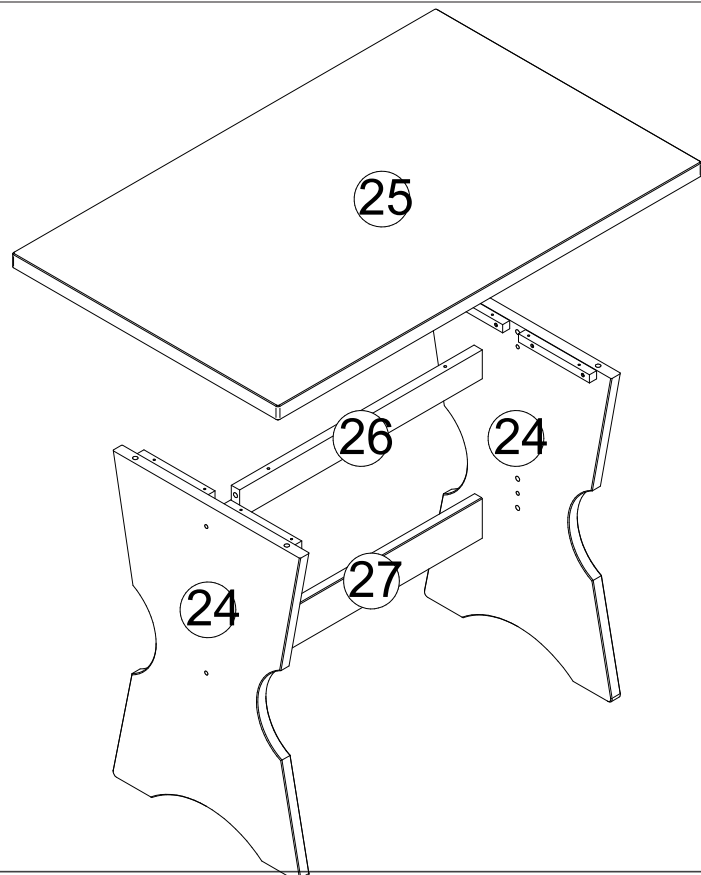
PLEASE USE ALL THE HARDWARE MENTIONED ABOVE. THEY WILL ASSURE THE ITEM STABILITY AND SAFETY.

TOOLS REQUIRED

AN ALLEN WRENCH (J) (PROVIDED) AND A STANDARD PHILLIPS HEAD SCREWDRIVER (NOT PROVIDED) ARE REQUIRED TO ASSEMBLE THIS TABLE. USE A PLASTIC HEAD Mallet TO TAP IN WOODEN DOWELS. NOTE: A PIECE OF WOOD CAN ALSO BE USED TO KNOCK IN WOODEN DOWELS. BEFORE YOU BEGIN ASSEMBLY, SELECT AN OPEN SPACE, PREFERABLY ON A CARPET AREA. IF ASSEMBLING ON A HARD SURFACE, OR ON A WOOD FLOOR, USE BLANKET TO PREVENT SCRATCHING FURNITURE AS WELL AS WOOD FLOOR.

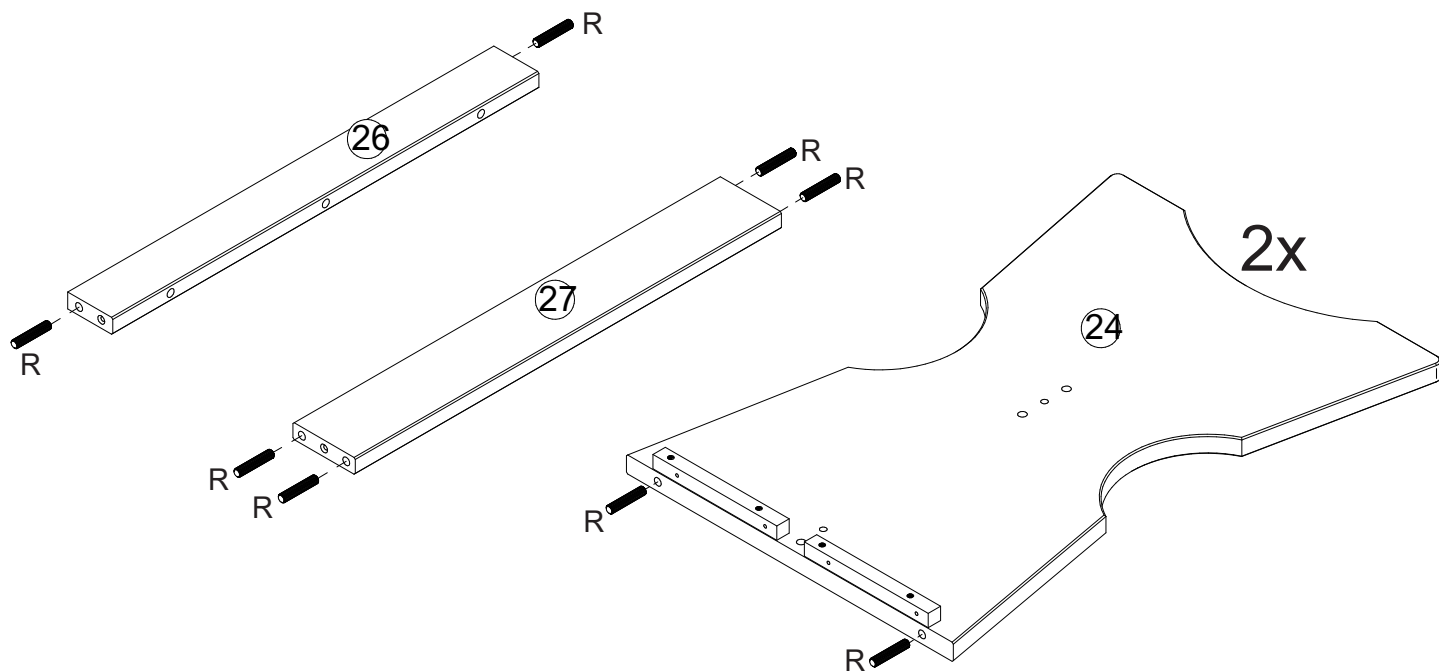
PARTS IDENTIFICATION

- 24 - LEG (2X)
- 25 - TABLE TOP
- 26 - RAIL
- 27 - CROSSBAR



STEP1)

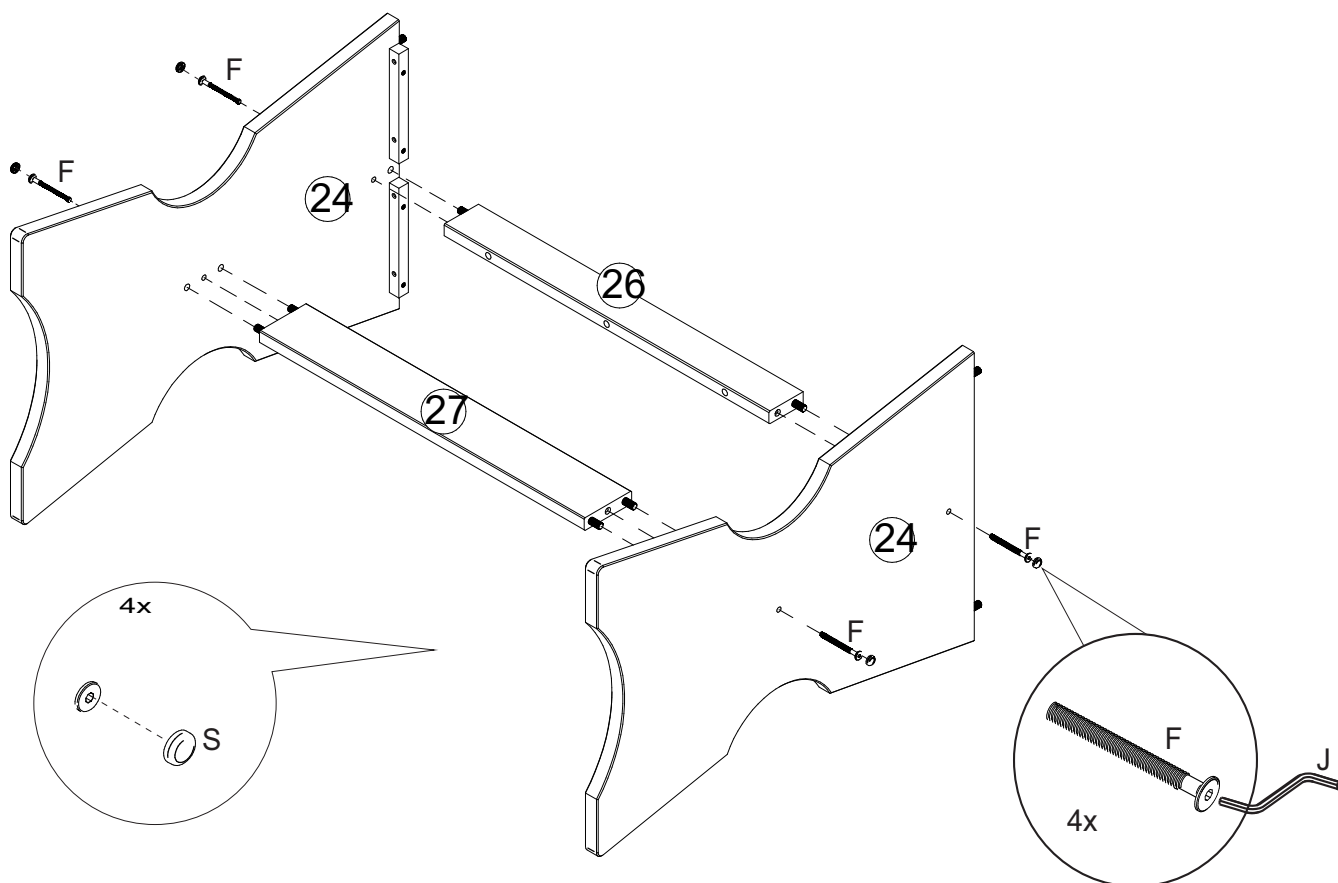
1.1) INSERT (10) WOODEN DOWELS (R) TO LEGS #24 (2X), RAIL # 26 AND CROSSBAR # 27, USING THE PRE DRILLED HOLES AS GUIDE.



STEP2)

2.1) TO ASSEMBLE TO BASE OF THE TABLE, FIX LEGS # 24(2X) TO RAIL # 26 AND CROSSBAR # 27, USING (04) SCREWS (F), AN ALLEN WRENCH (J) (PROVIDED), THE WOODEN DOWELS ALREADY INSERTED AND THE PRE DRILLES HOLES AS GUIDE.

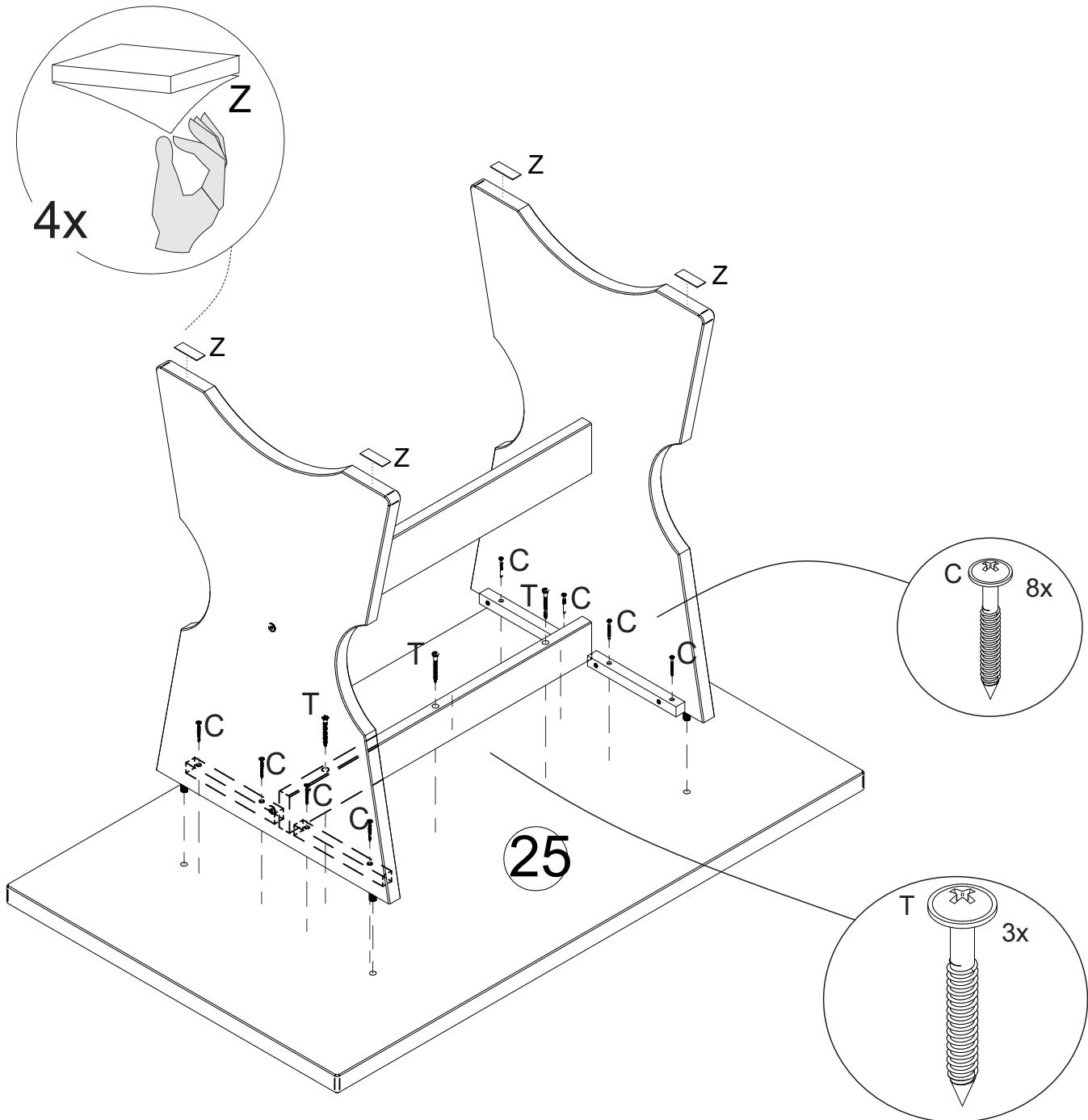
2.2) USE THE SCREW CAP (S) TO COVER THE SCREW HEAD.



STEP3)

3.1) FIX THE BASE TO TABLE TOP # 25 USING (08) SCREWS (C), (03) SCREWS (T), A PHILLIPS HEAD SCREWDRIVER (NOT PROVIDED) AND THE PRE-DRILLED HOLES AS GUIDE .

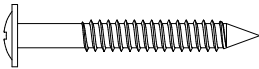
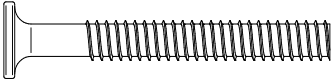


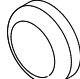
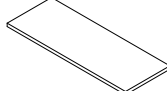
3.2) TO AVOID SCRATCH THE FLOOR, PLEASE ATTACH (04) ADHESIVE FELT (Z) ON TABLE BASE, AS PER DRAWING BELOW.



HARDWARE PACKAGE COUNT(SIMPLE BENCH)

OPEN HARDWARE PACKAGE ON A FLAT SURFACE COVERED WITH NEWSPAPER. COUNT EACH PIECE OF HARDWARE TO MATCH THE QUANTITY NUMBER IN THE HARDWARE IDENTIFICATION COLUMN. CALL CUSTOMER SERVICE IF ANY PARTS ARE MISSING. FOLLOW THE LETTER IDENTIFICATION WHEN READING THE ASSEMBLY DRAWING "C" THROUGH "Z".

HARDWARE IDENTIFICATION

C		4,5 x 35mm	SCREW 1 3/16" LONG	08
F		7 x 70mm	SCREW 2 3/4" LONG	02
J			ALLEN WRENCH	01
R		10 x 50mm	WOOD DOWEL 2" LONG	06
S			SCREW TAP	02
Z			ADHESIVE FELT	04

IMPORTANT:

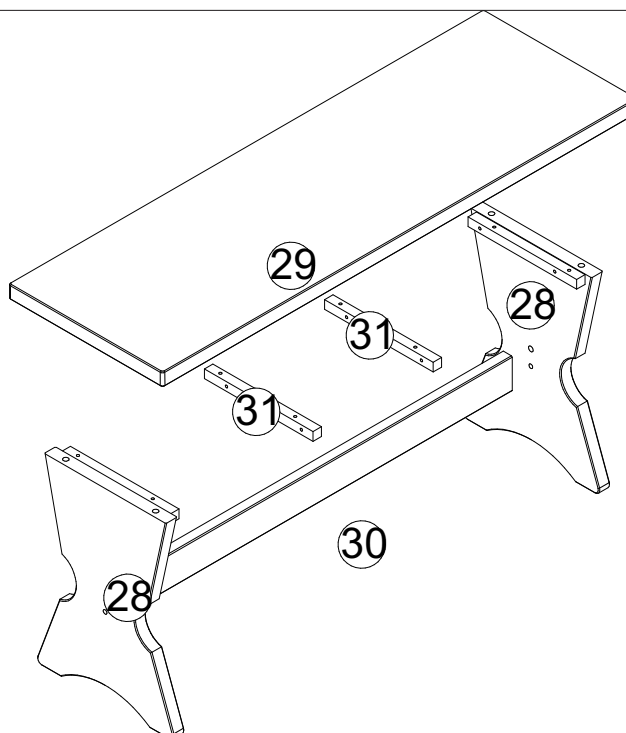
PLEASE USE ALL THE HARDWARE MENTIONED ABOVE. THEY WILL ASSURE TO THE ITEM STABILITY AND SAFETY.

TOOLS REQUIRED

AN ALLEN WRENCH (J) (PROVIDED) AND A STANDARD PHILLIPS HEAD SCREWDRIVER (NOT PROVIDED) ARE REQUIRED TO ASSEMBLE THIS TABLE. USE A PLASTIC HEAD Mallet TO TAP IN WOODEN DOWELS. NOTE: A PIECE OF WOOD CAN ALSO BE USED TO KNOCK IN WOODEN DOWELS. BEFORE YOU BEGIN ASSEMBLY, SELECT AN OPEN SPACE, PREFERABLY ON A CARPET AREA. IF ASSEMBLING ON A HARD SURFACE, OR ON A WOOD FLOOR, USE BLANKET TO PREVENT SCRATCHING FURNITURE AS WELL AS WOOD FLOOR.

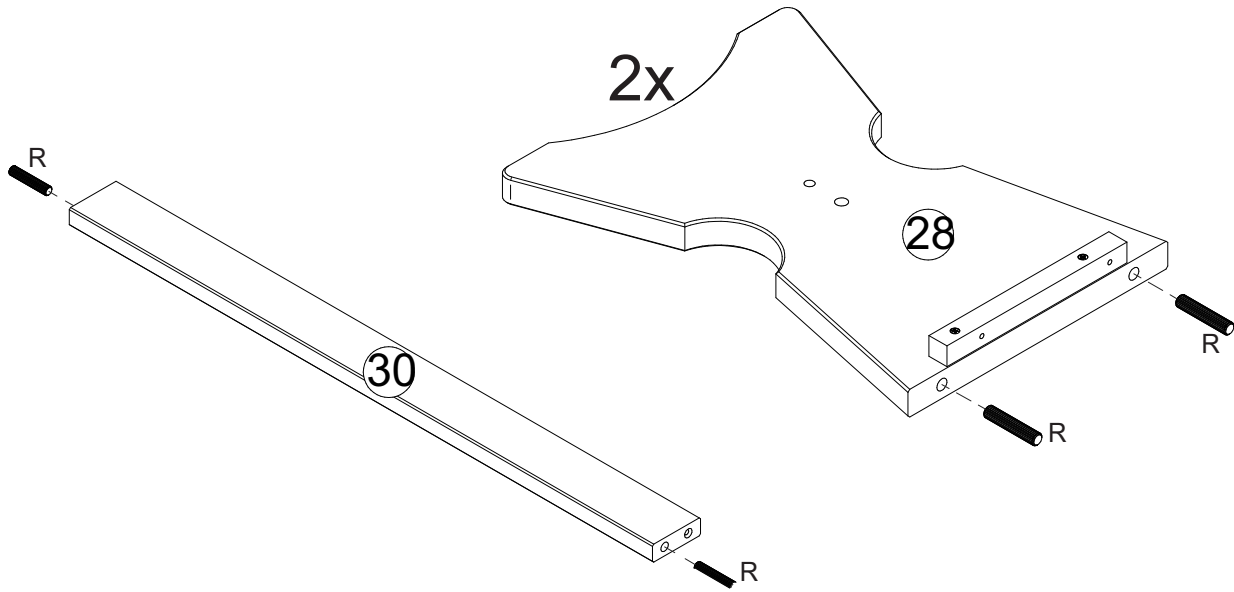
PARTS IDENTIFICATION

- 28 - LEGS (X2)
- 29 - SEAT
- 30 - CROSSBAR
- 31 - CLEAT (2x)



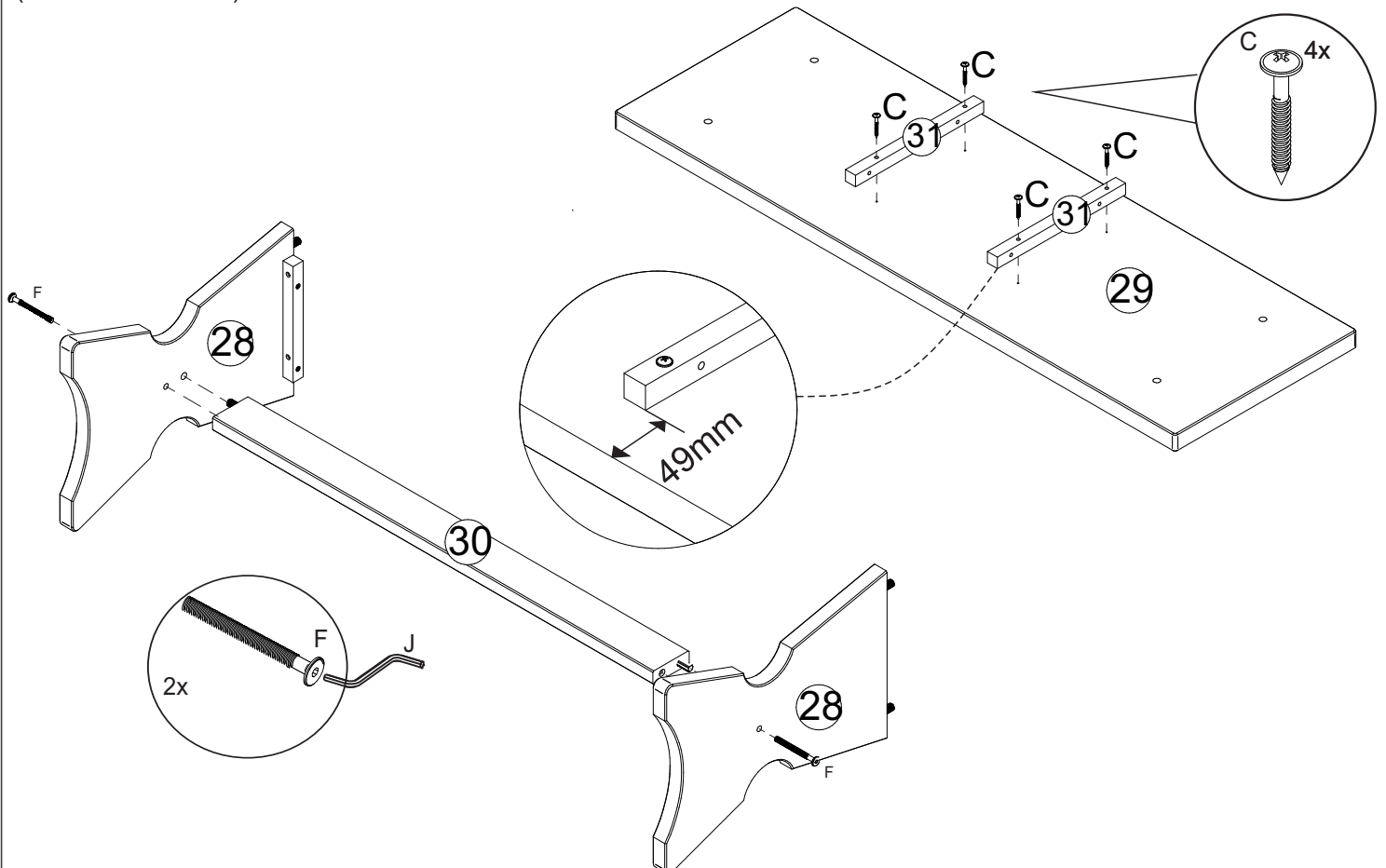
STEP1)

1.1) INSERT (06) WOODEN DOWELS (R) TO LEGS #28 (2X) AND CROSSBAR # 30, USING THE PRE DRILLED HOLES AS GUIDE.

**STEP2)**

2.1) TO ASSEMBLE TO BASE OF THE BENCH, FIX LEGS # 28 (2X) TO CROSSBAR # 30, USING (02) SCREWS (F), AN ALLEN WRENCH (J) (PROVIDED), THE WOODEN DOWELS ALREADY INSERTED AND THE PRE DRILLES HOLES AS GUIDE.

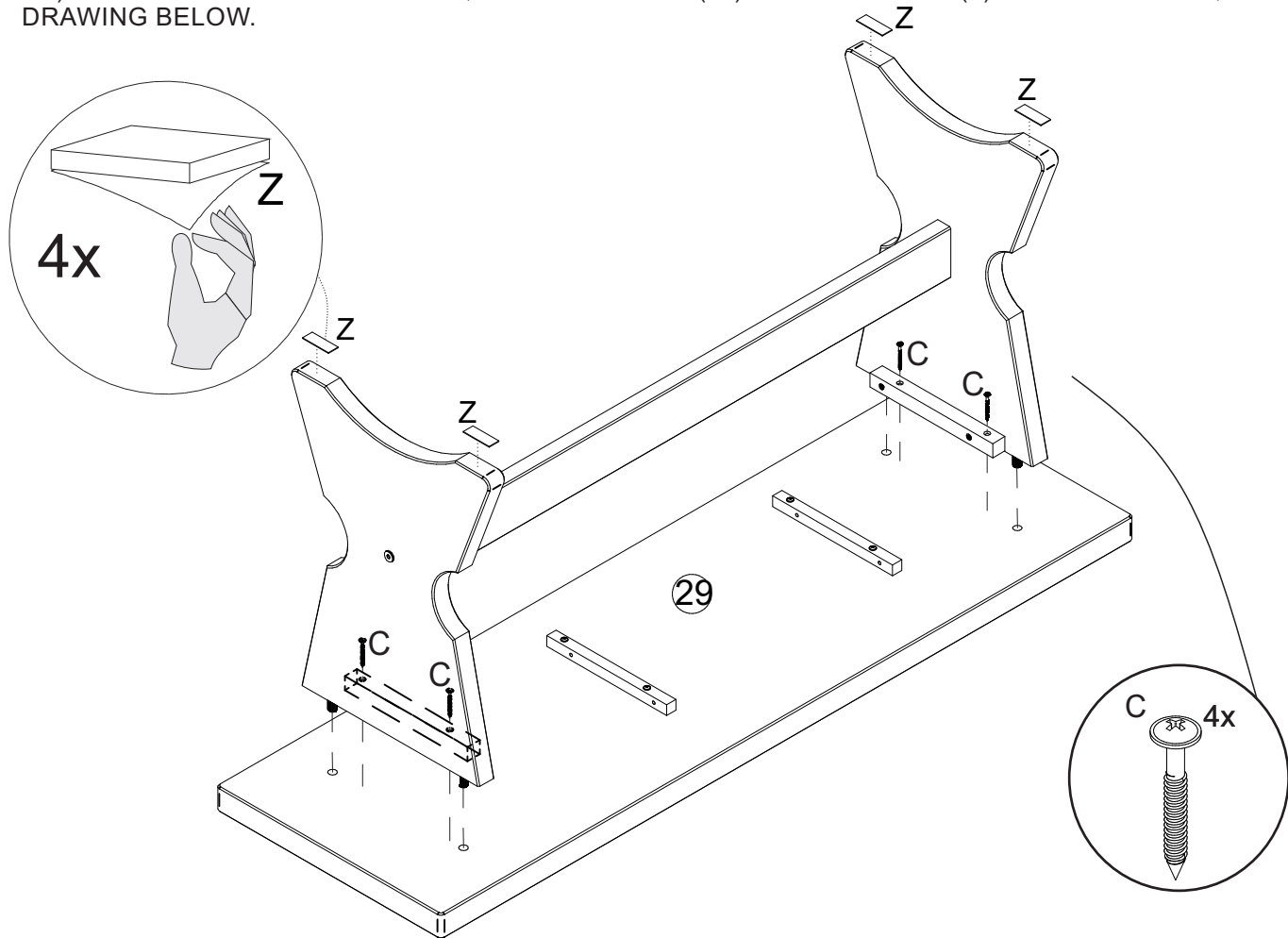
2.2) FIX THE CLEATS # 31 (2X) TO SEAT # 29, USING (04) SCREWS (C), A PHILLIPS HEAD SCREWDRIVER (NOT PROVIDED) AND THE PRE-DRILLED HOLES AS GUIDE .



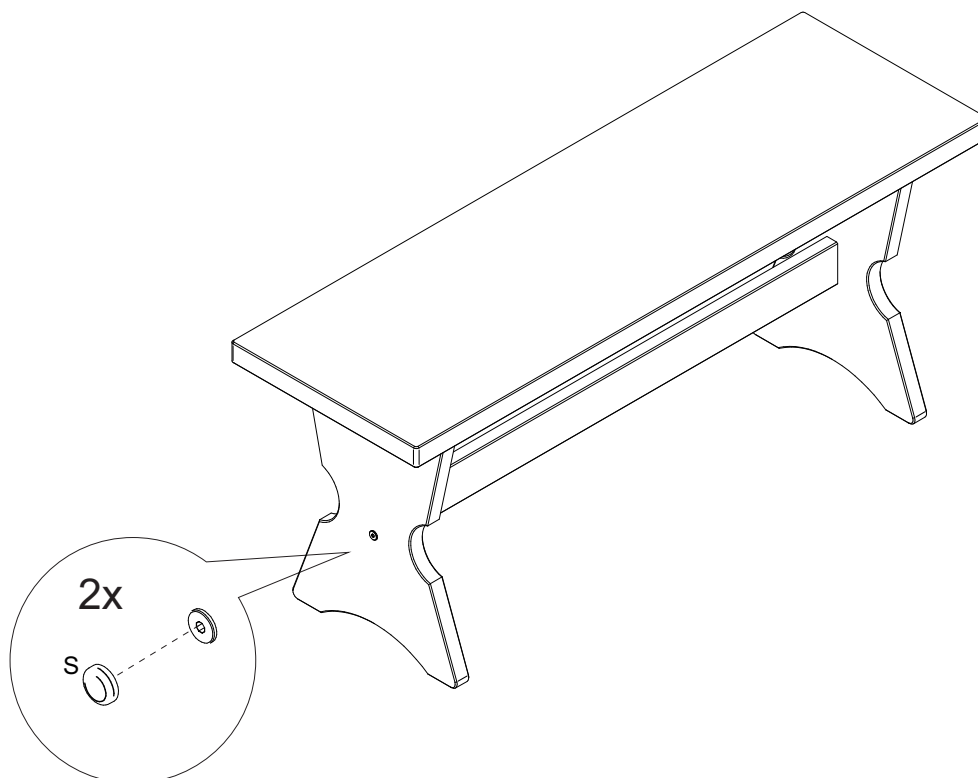
STEP3)

3.1) FIX THE BENCH BASE TO THE SEAT # 29 USING (04) SCREWS (C), A PHILLIPS HEAD SCREWDRIVER (NOT PROVIDED) AND THE PRE-DRILLED HOLES AS GUIDE .

3.2) TO AVOID SCRATCH THE FLOOR, PLEASE ATTACH (04) ADHESIVE FELT (Z) ON BENCH BASE, AS PER DRAWING BELOW.

**STEP4)**

4.1) USE THE SCREW CAP (S) TO COVER THE SCREW HEAD.



LIMITED 6 MONTHS WARRANTY

GARANTIE LIMITÉE DE 6 MOIS

GARANTÍA LIMITADA DE 6 MESES

WHAT IS COVERED

This product is covered under our manufacturer's 6 months limited warranty. To ensure your complete satisfaction, this warrants to the original purchaser that the supplied item is free from defects in material and workmanship, as of the date of purchase, and that it will, under normal use and proper care, remain so for six months after the date of purchase.

Replacement of missing or initially defective parts will be sent, at no charge, for a period of 30 days from the date of purchase with valid proof of purchase providing the parts are available in our warehouse and the item purchased is part of our current inventory.

WHAT IS NOT COVERED

It remains the customer's responsibility for freight and packaging charges to and from the customer service center. Labor and material charges to remove or replace parts under this warranty are not covered.

This warranty does not cover: Furniture used for commercial purposes, failures caused by improper installation assembly or by improper care, unreasonable or abusive use, freeze damage, acts of God, rust, purchased parts or return freight and packaging charges. Proof of purchase (dated register receipt) is required for warranty claims.

HOW TO OBTAIN SERVICE

For further information, please contact our customer service department

QU'EST-CE QUI EST COUVERT

Ce produit est couvert sous une garantie limitée de 6 mois offerte par le fabricant. Afin d'assurer votre entière satisfaction, cela garantit à l'acheteur original que le produit fourni est exempt de défauts de matériaux et de fabrication à compter de la date d'achat, et ce, sous des conditions d'utilisation normales et de soins adéquats, valide pendant six mois après la date d'achat.

Le remplacement de pièces manquantes ou défectueuses dès le départ sera envoyé, sans frais, pour une période de 30 jours suivant la date d'achat avec une preuve d'achat valide pourvu que les pièces soient disponibles dans notre entrepôt et que l'article acheté fait partie de notre inventaire actuel.

QU'EST-CE QUI N'EST PAS COUVERT

Il y va de la responsabilité du client de couvrir les frais de transport et d'emballage vers et à partir du centre de service après-vente. Les frais de la main-d'œuvre et des matériaux pour retirer les pièces ou les remplacer sous cette garantie ne sont pas couverts.

Cette garantie ne couvre pas : les meubles utilisés à des fins commerciales, les défaillances causées par un mauvais assemblage ou entretien (sans dépasser les limites de poids), l'utilisation déraisonnable ou abusive, les dommages causés par le gel, la rouille, les frais de transport et d'emballage pour des pièces achetées ou retournées. Une preuve d'achat (reçu de caisse daté) est requise pour les réclamations sous garantie.

COMMENT FAIRE POUR OBTENIR DU SERVICE

Pour de plus amples renseignements, veuillez communiquer avec notre département du service à la clientèle

QUÉ ESTÁ CUBIERTO

Este producto está cubierto por la garantía limitada de 6 meses de nuestro fabricante. Para asegurar su total satisfacción, ésta garantiza al comprador original que el artículo proporcionado se encuentra libre de defectos materiales y de fabricación, a partir de la fecha de compra, y que permanecerá en tal estado, sometido a un uso normal y cuidado adecuados, durante los seis meses posteriores a la fecha de la compra.

Las partes faltantes o que presenten defectos al inicio de ese período de tiempo serán enviadas sin cargo, durante un lapso de 30 días a partir de la fecha de compra, mediante la presentación de un comprobante de compra válido, siempre que las partes estén disponibles en nuestro almacén y el artículo adquirido sea parte de nuestro inventario actual.

QUÉ NO ESTÁ CUBIERTO

El cliente asumirá los costos de flete y empaque hacia y desde el centro de servicio de cliente. Los cargos de material y mano de obra para extraer o reemplazar partes en el marco de la garantía no están cubiertos.

Esta garantía no cubre: muebles utilizados con fines comerciales, fallas causadas por montaje de instalación inadecuados o uso indebido (se recomienda no exceder los límites de peso), uso no razonable o abusivo, daños por congelación, oxidación, partes compradas, flete de devolución y cargos de empaque. Se exigirá el comprobante de compra (la factura de registro con fecha) para hacer valer la garantía.

CÓMO OBTENER SERVICIO

Si desea más información, póngase en contacto con nuestro departamento de servicio al cliente