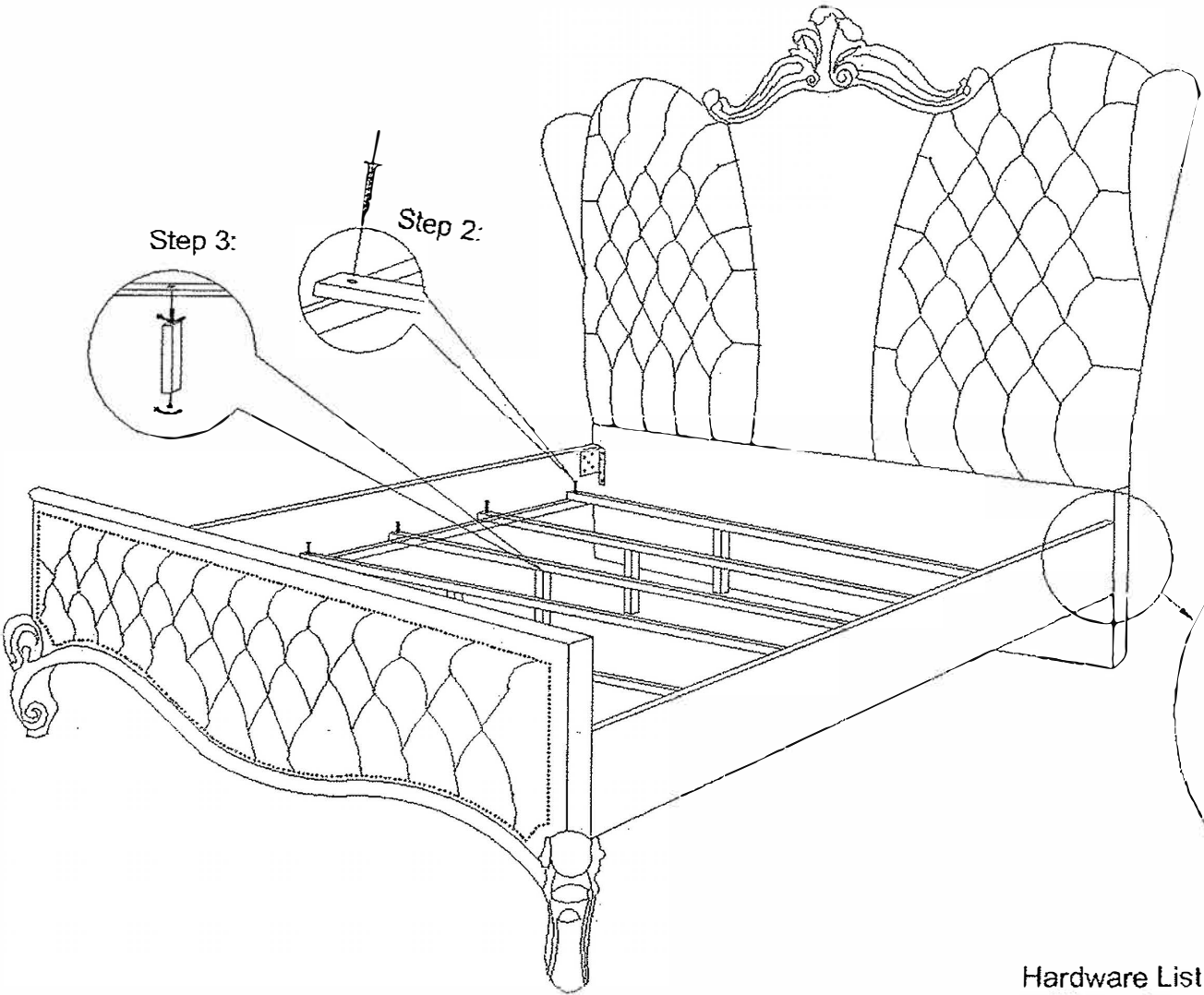


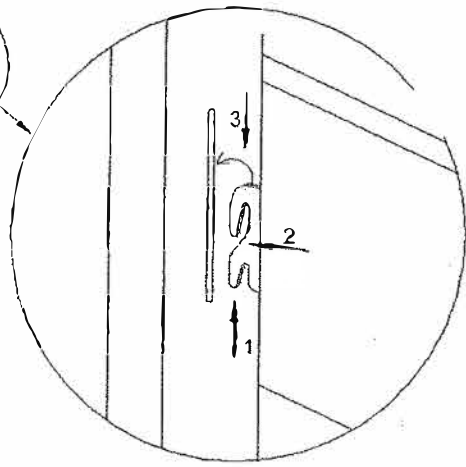
ASSEMBLY INSTRUCTION

Step 1:


Finish:



Step 1:



Hardware List:

No.:	Description	Drawing	Size	Q'ty
A	wood screw		3/8 X 1-1/2"	10