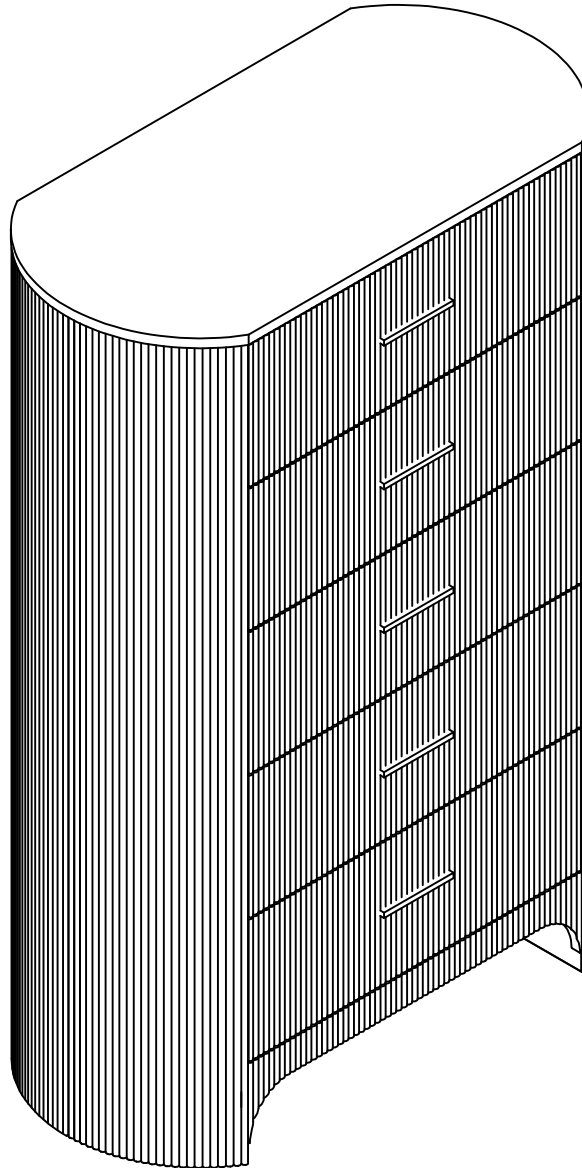
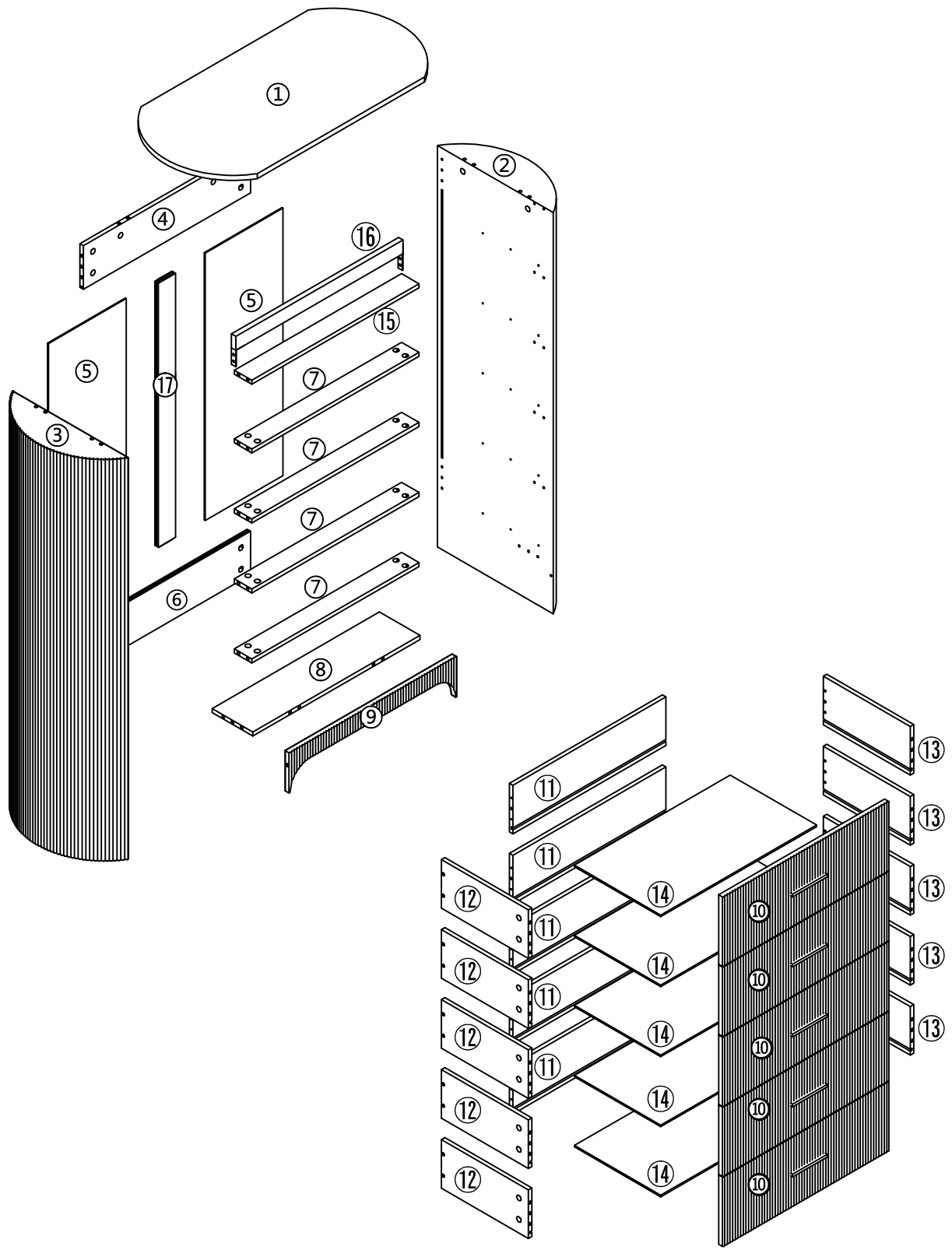




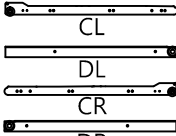






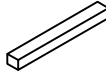




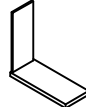


ASSEMBLY INSTRUCTIONS



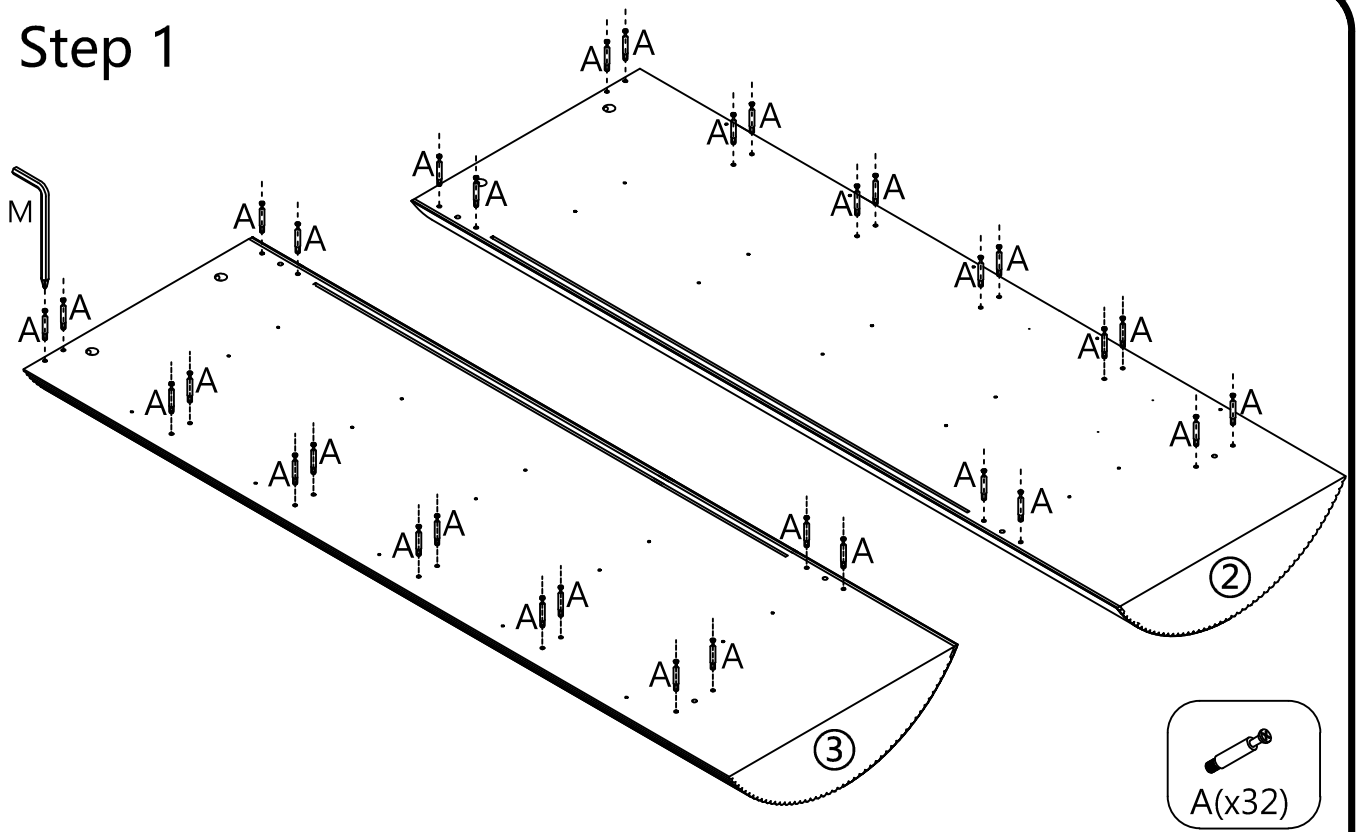
Parts List



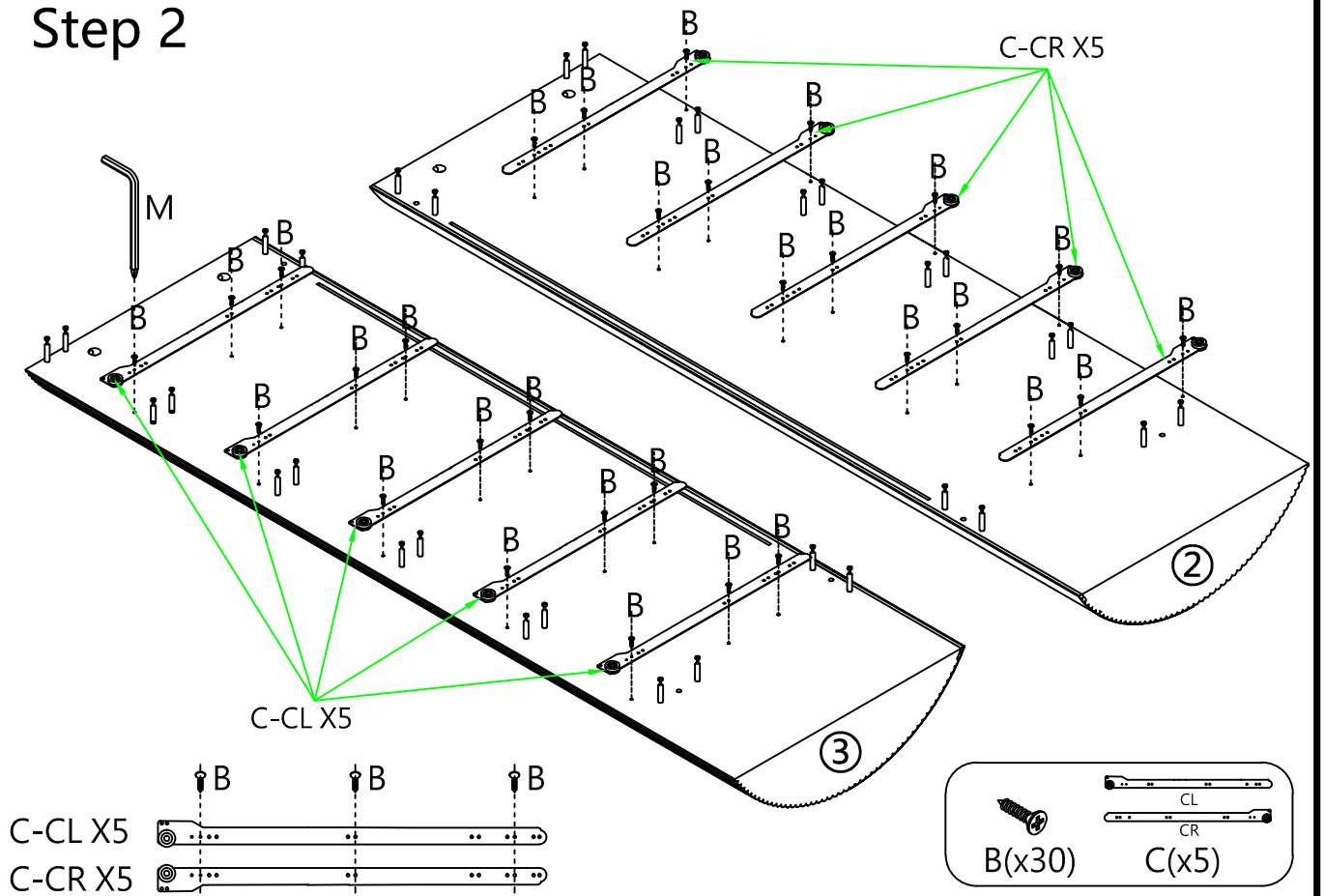
Hardware List

 A(x60+2)	 M4*12 B(x66+10)	 CL DL CR DR L=300 C(x5)	 D(x2)	 M6*30 E(x24+1)
 D=15 F(x60+2)	 M4*20 G(x4)	 M3.5*25 H(x20)	 M4*22 I(x10)	 J(x5)
 K(x6)	 M3.5*15 L(x6)	 M (X1)	 N (X2)	 O(x2)
 M3.5*40 P(x2)	 Q(x2)			

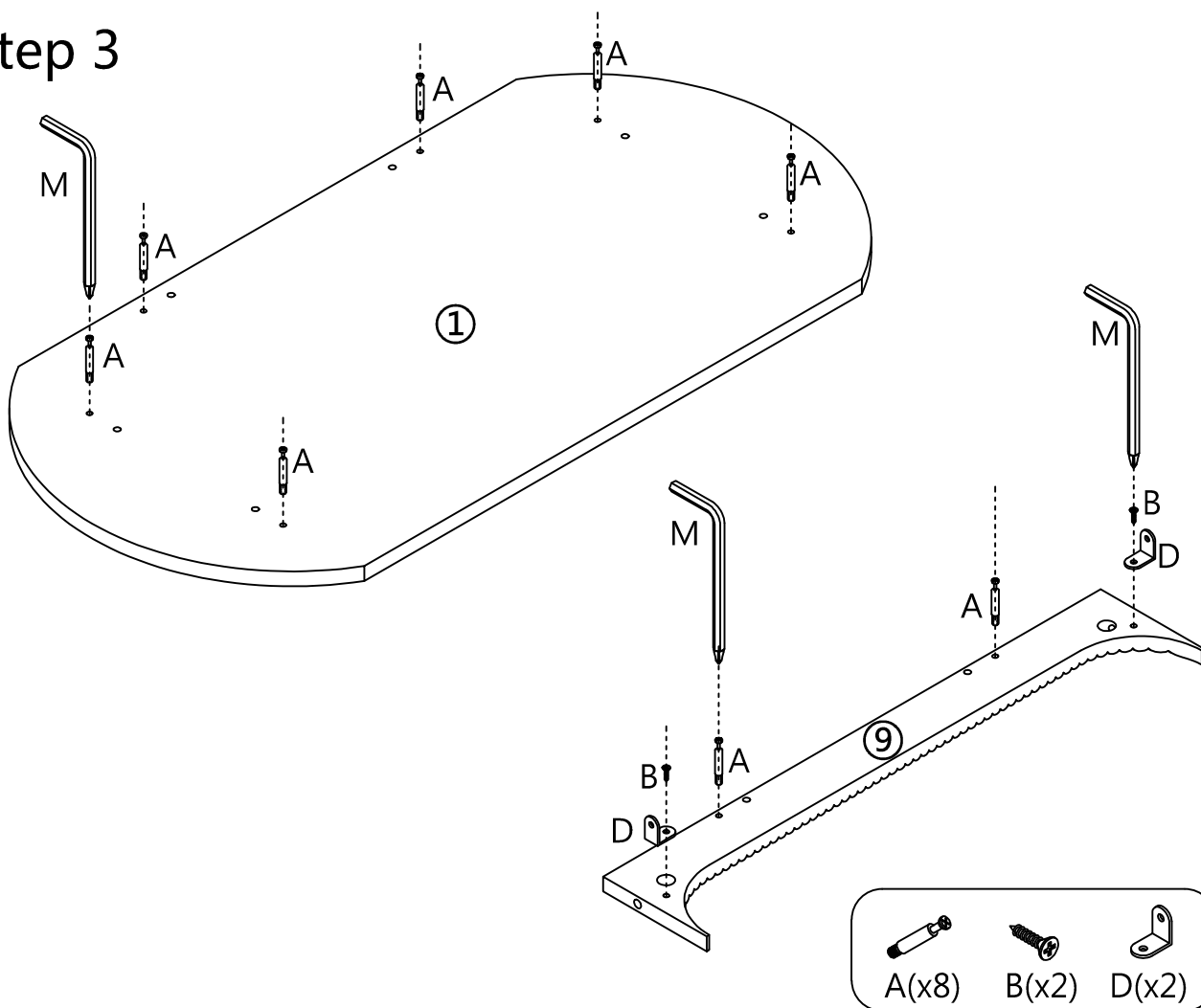
Step 1



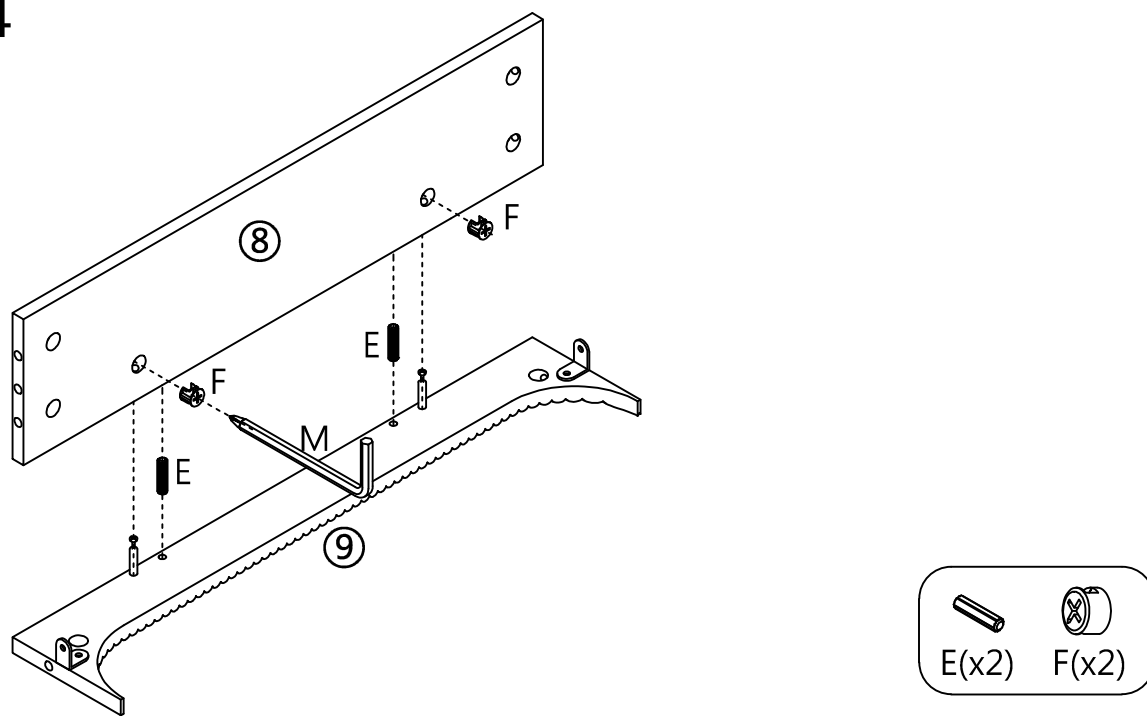
Step 2



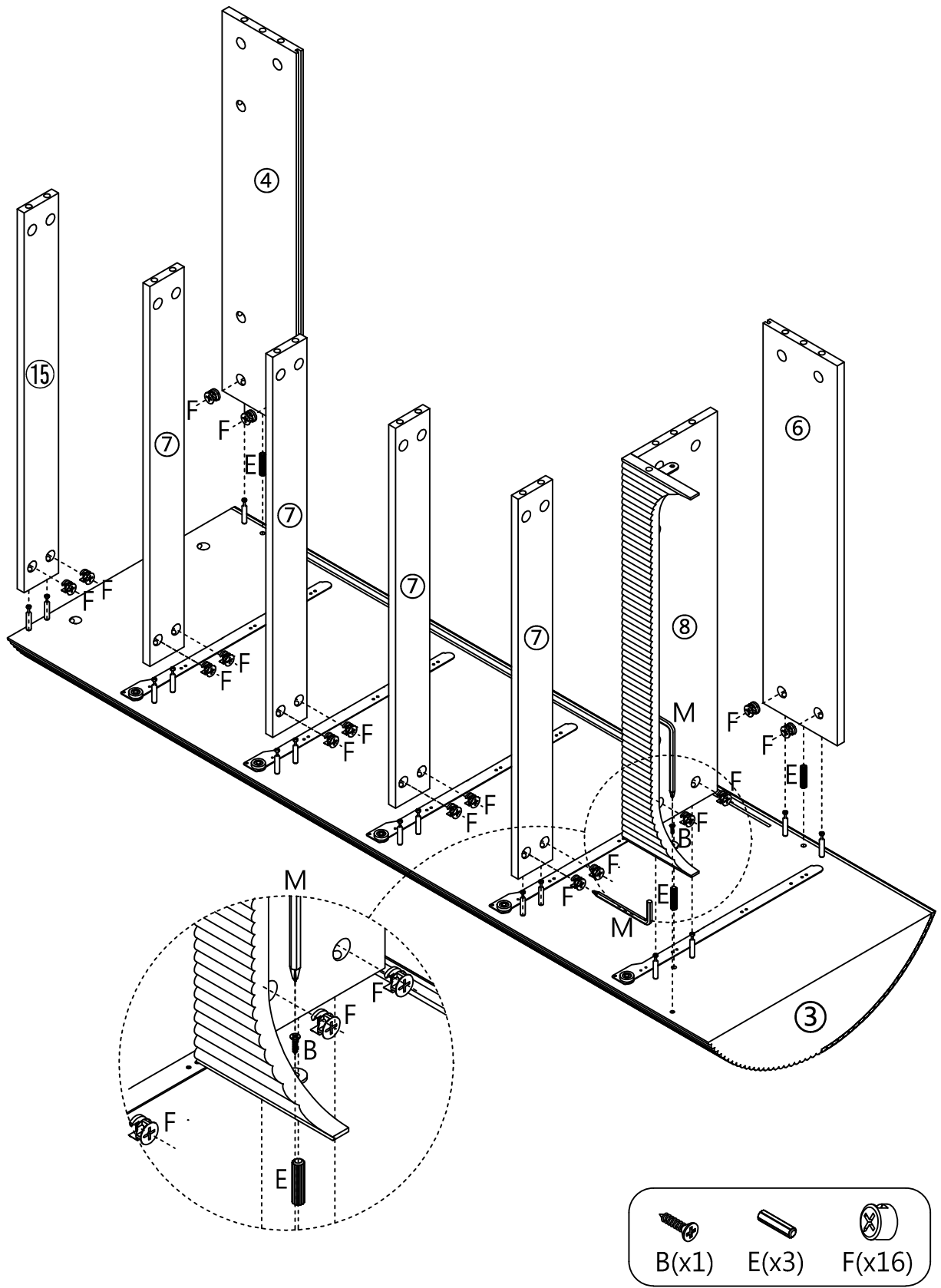
Step 3



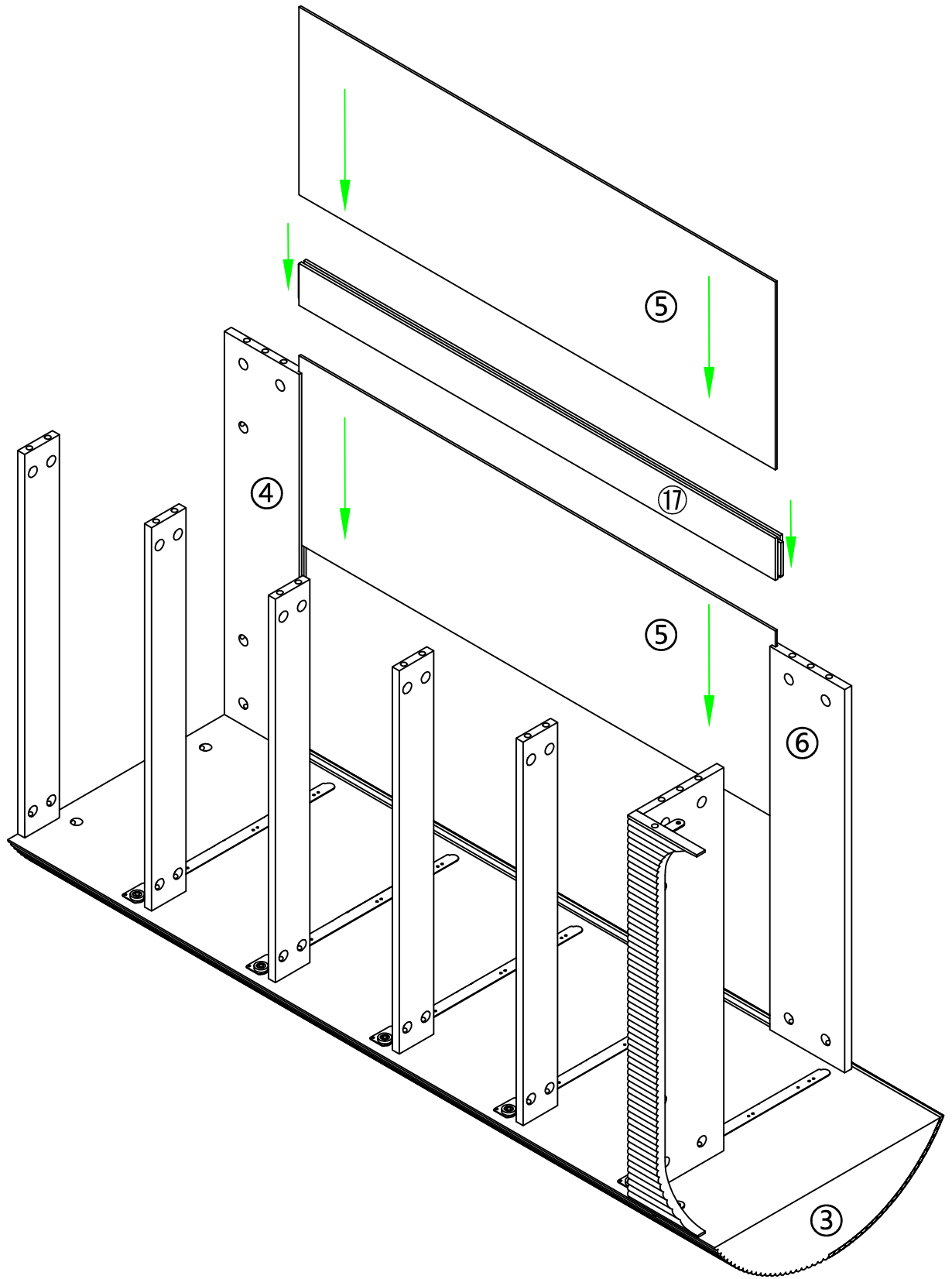
Step 4



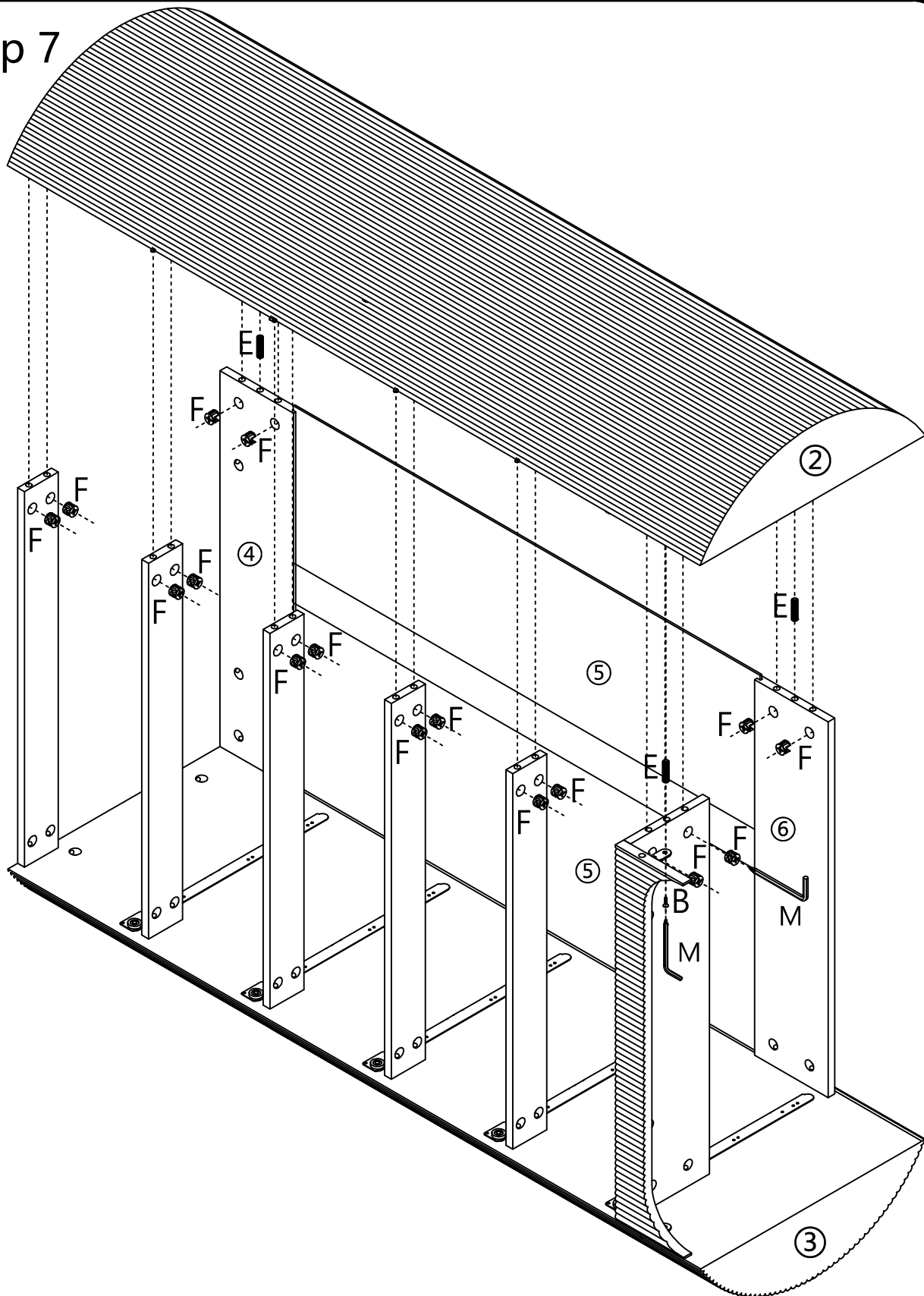
Step 5






Step 6

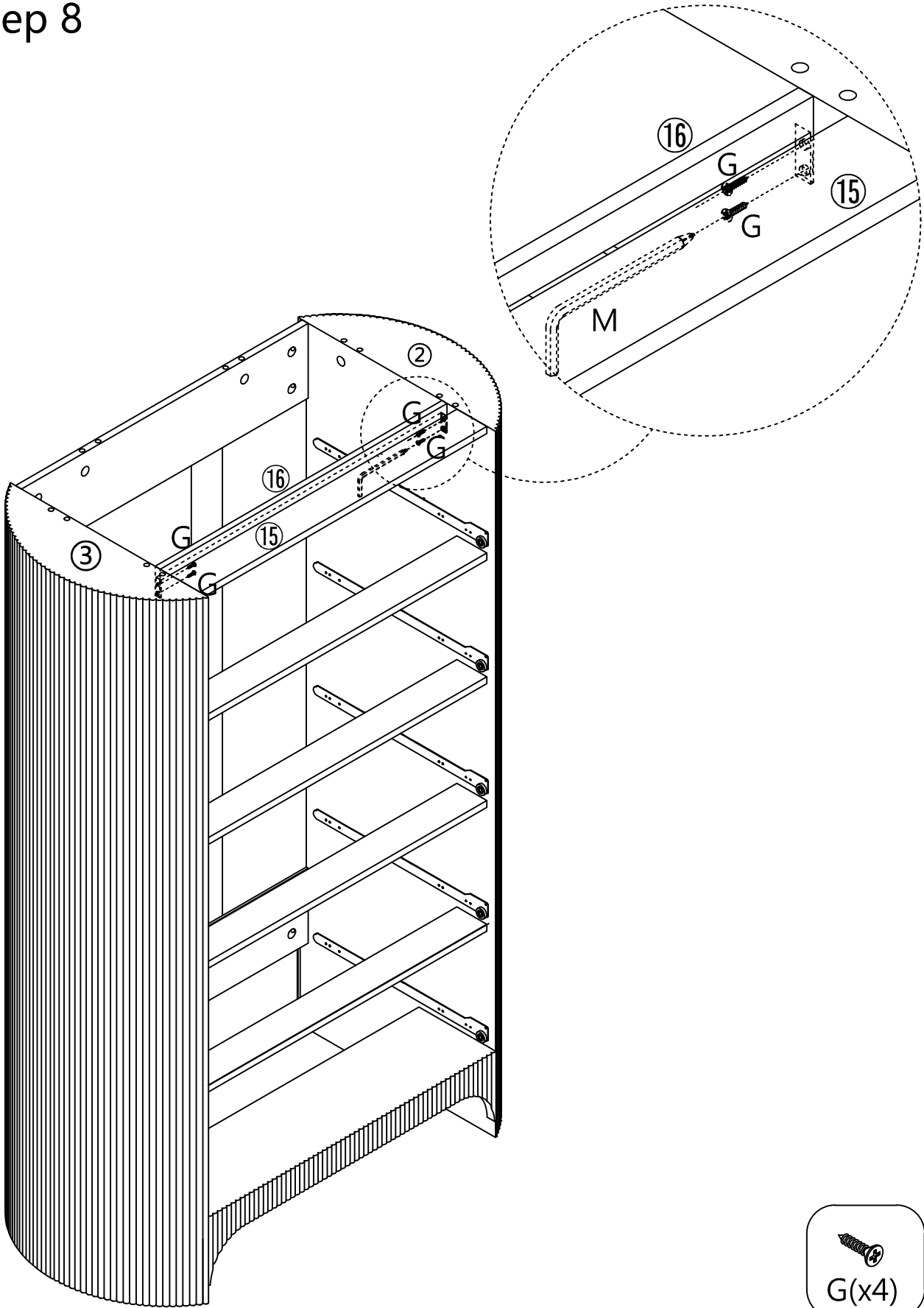


Step 7

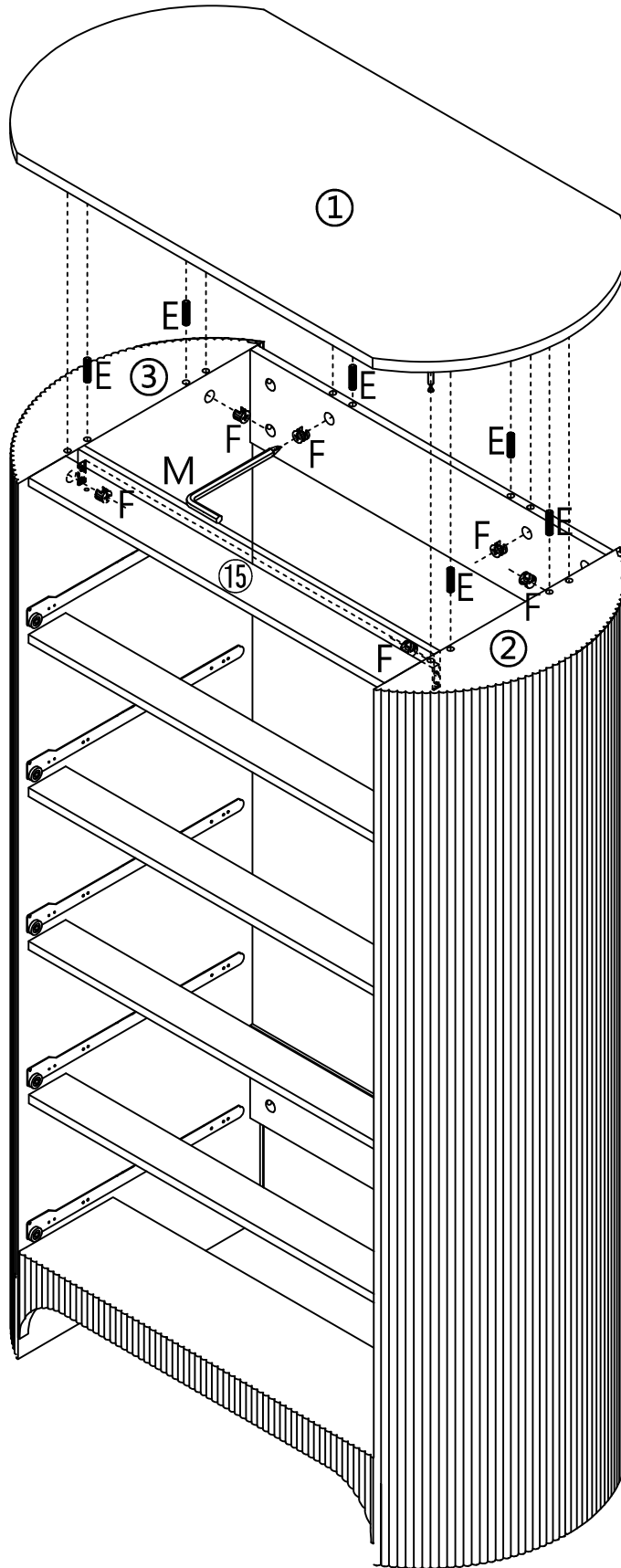




		
B(x1)	E(x3)	F(x16)

Step 8

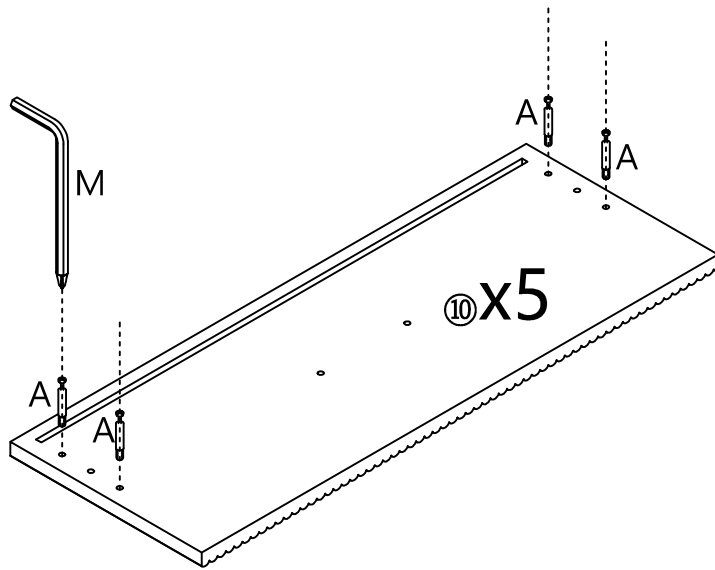


Step 9

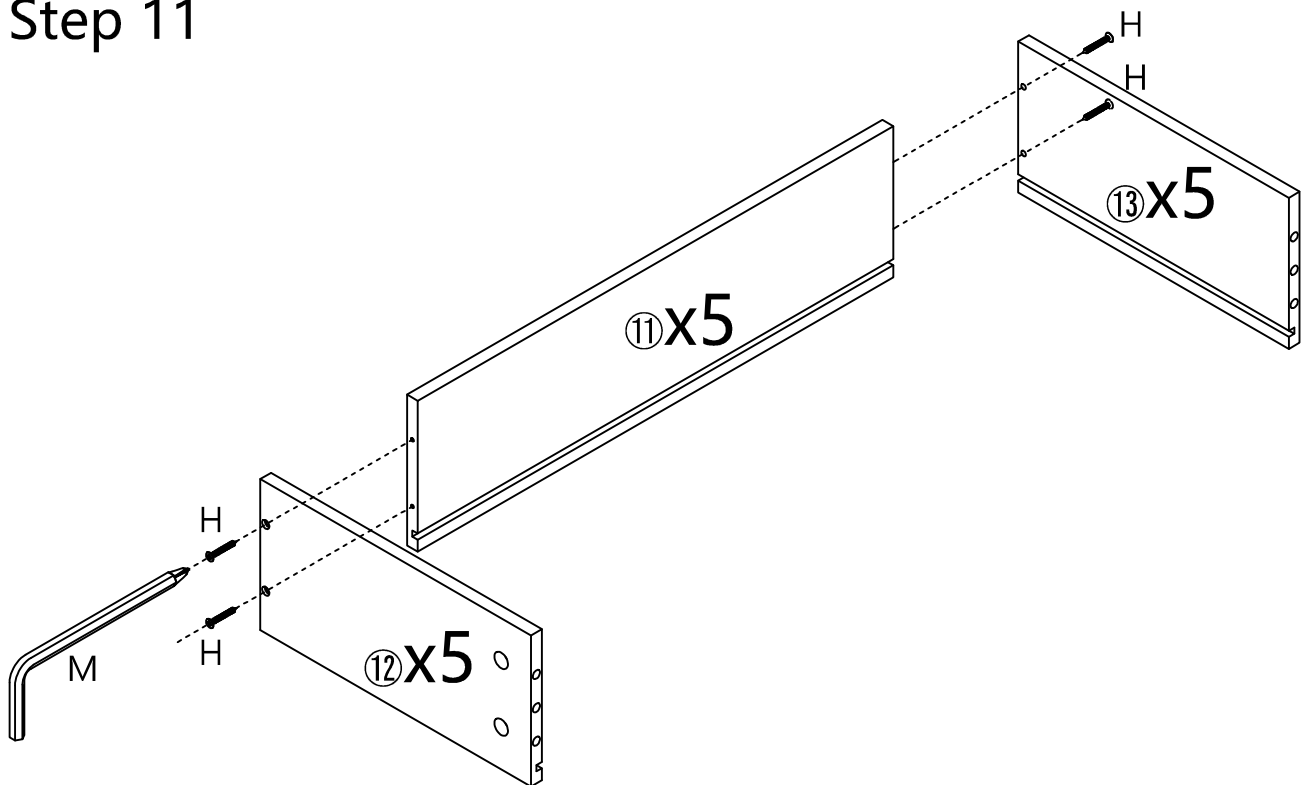


	
E(x6)	F(x6)

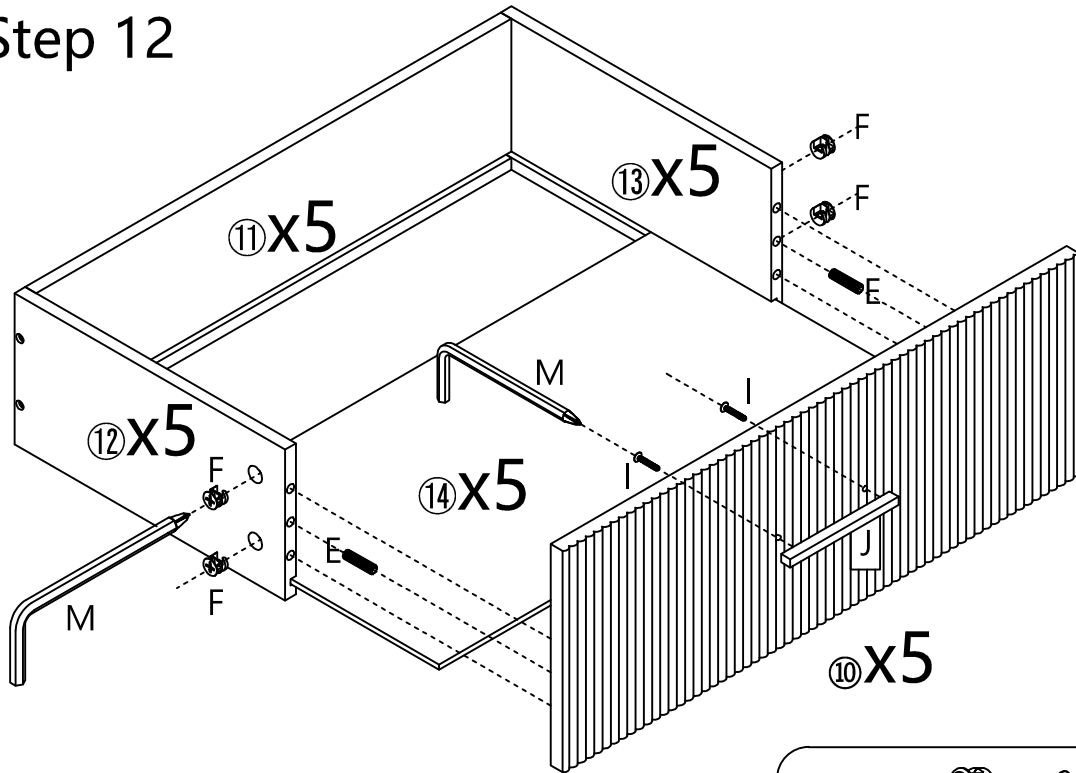
Step 10



Step 11

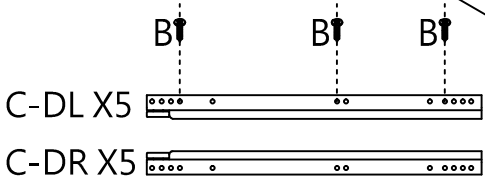
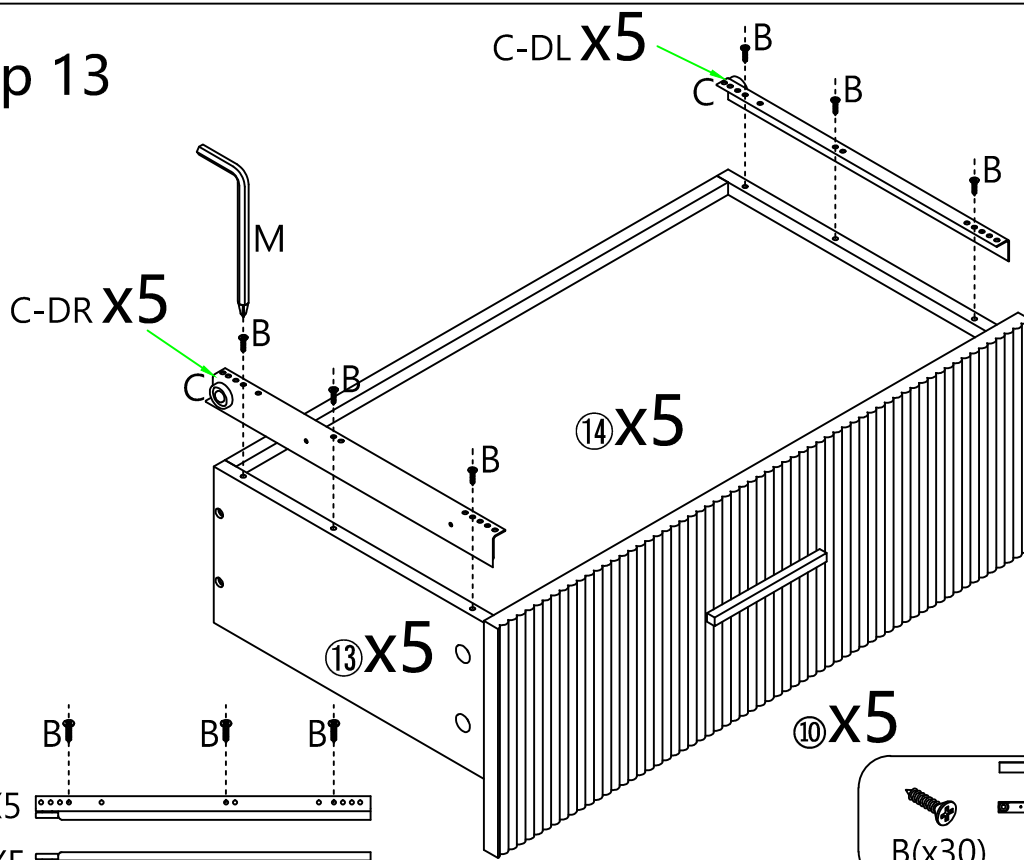


Step 12



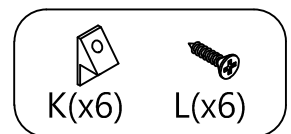
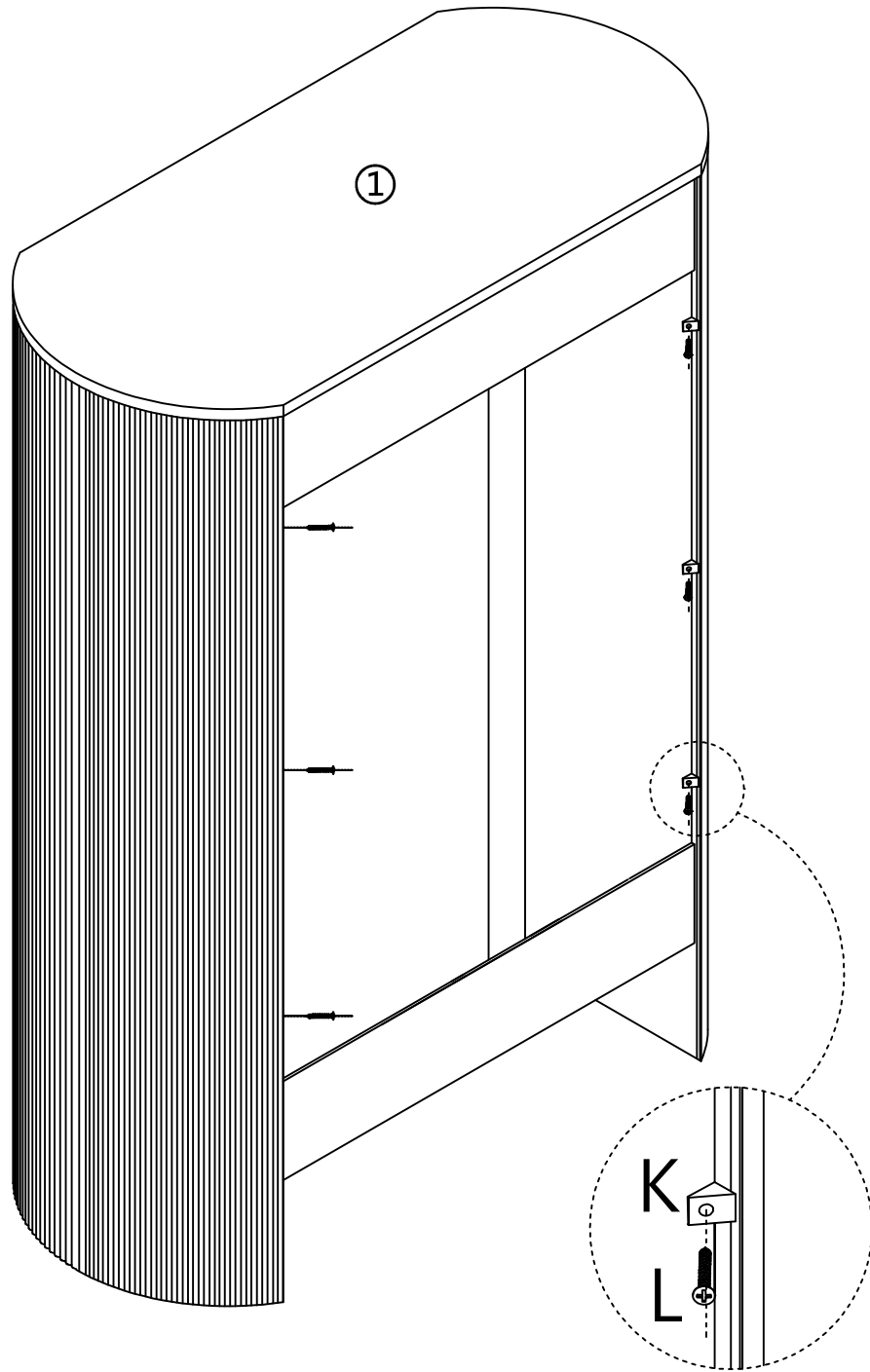
E(x10)	F(x20)	I(x10)	J(x5)

Step 13

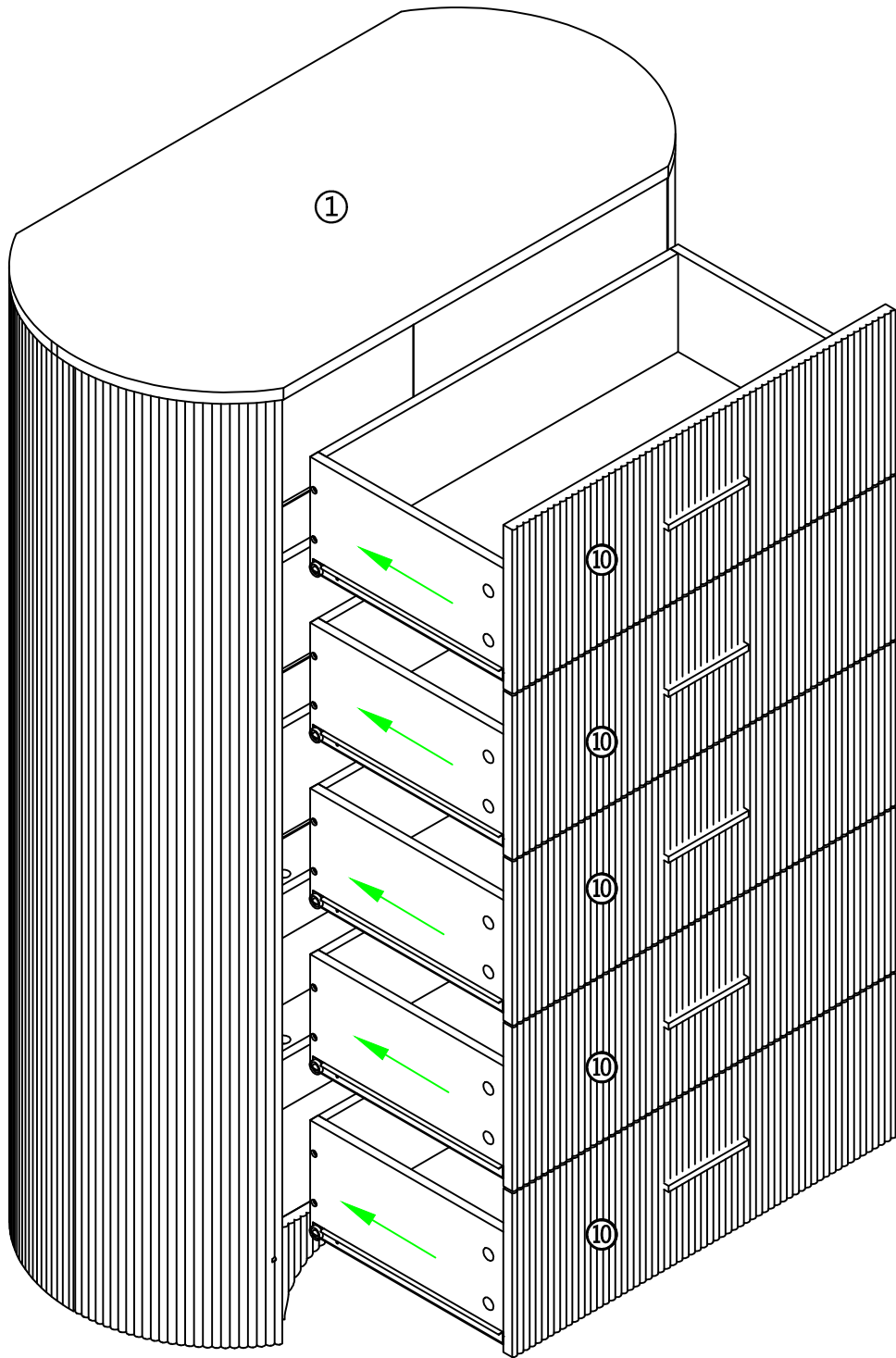


B(x30)	C(x5)

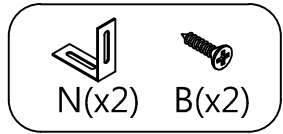
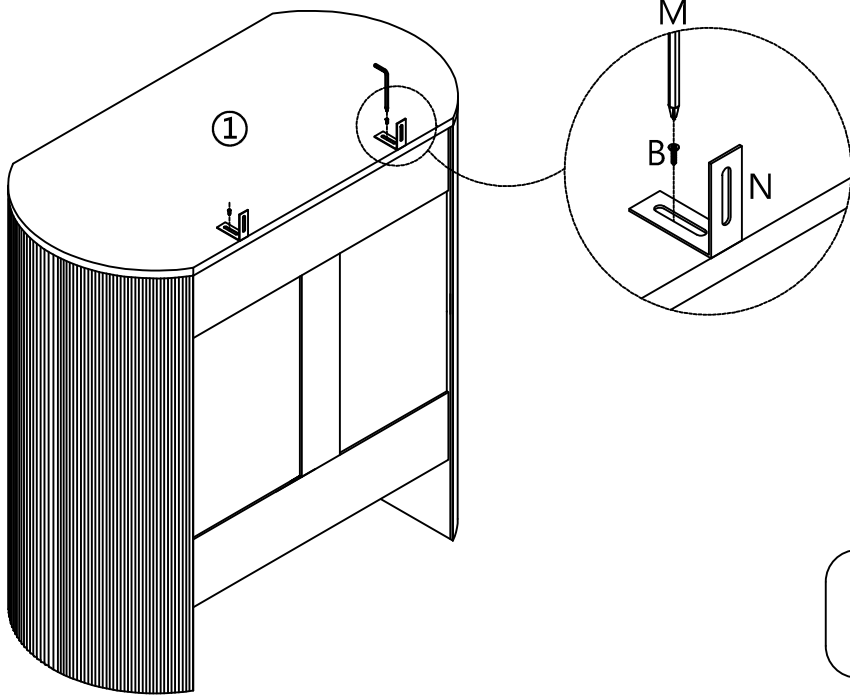
Step 14



Step 15



Step 16



Step 17

