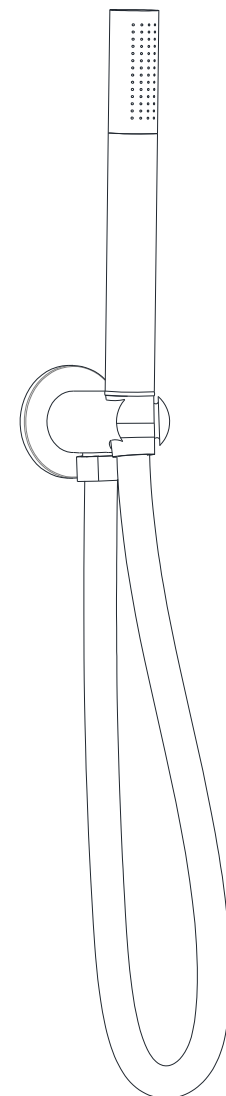
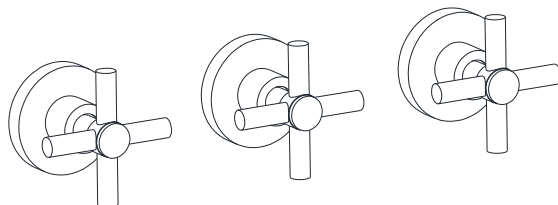
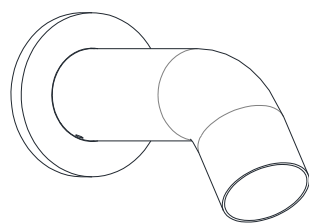


INSTALLATION GUIDE



TUB AND SHOWER FAUCET

MODEL	FINISH
S2133CW	CHROME
S2133NW	BRUSHED NICKEL
S2133BGW	BRUSHED GOLD
S2133DW	MATTE BLACK

HOT LINE: +1-866-203-0866

THANK YOU

Dear Valued Customer,

Thank you for choosing SUMERAIN products. We would like to take this opportunity to express our sincere gratitude for your recent purchase. We hope you are completely satisfied with your new product. Rest assured, we meticulously engineer all SUMERAIN products and put them through rigorous factory tests to ensure their prolonged, trouble-free use under normal conditions.

Installing this product is as simple as it gets. All you need are some basic tools and our handy step-by-step illustrated guide. We wholeheartedly welcome any questions or feedback you may have. We eagerly anticipate the opportunity to assist you in the future. If you have any inquiries regarding this product, please do not hesitate to contact us at +1-866-203-0866 or email us at supports@sumerain.com.

Once again, we extend our gratitude for selecting SUMERAIN products. We remain committed to providing exceptional customer service.

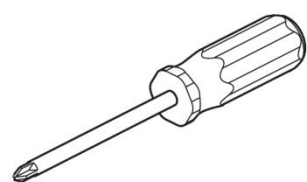
Sincerely,

SUMERAIN Customer Service Department

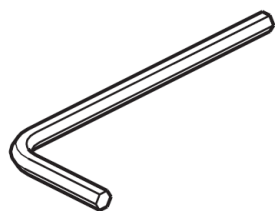
BEFORE PROCEEDING

1. Unpack your new product and verify that all components are present in the package. Until you're ready to install, it's best to keep the product in its original box.
2. Identify the water supply inlets and turn off the water supply valves. You'll typically find these valves near the water meter. If you're replacing an existing unit, make sure to remove the old one and clean the mounting surface thoroughly.
3. Adhere to all plumbing and building codes applicable in your area.
4. If you're not confident about installing the product yourself, we strongly recommend seeking help from a professional.

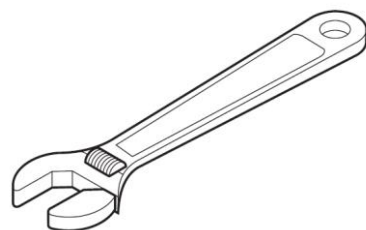
TOOLS RECOMMENDED



Philips Screwdriver



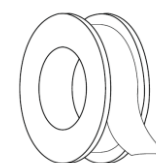
Allen Wrench



Adjustable Wrench



Channel Locks



Teflon Tape

LIMITED LIFETIME CONSUMER WARRANTY

VERSION: 140320.15.3

This product has been manufactured and tested to the highest quality standards by HONGKONG SUMERAIN SANITARY INDUSTRY Co., Limited ("SUMERAIN"). This warranty applies solely to SUMERAIN products purchased by consumers in the United States after January 1st, 2020. In the event of a faucet experiencing leaks or drips during regular usage, SUMERAIN will provide the necessary faucet cartridge to the purchaser, free of charge, in order to restore the faucet to proper working condition. If any defects are identified during normal residential use, SUMERAIN will, at its discretion, perform repairs, provide replacement parts or products, or make appropriate adjustments to ensure the product's optimal functionality.

WHO IS COVERED BY THE WARRANTY

This warranty provides exclusive coverage to the original consumer purchaser, including those who have made purchases through online retail platforms. However, online retail customers who are specifically covered by the "Online CONSUMER Limited Lifetime WARRANTY & Return policy" are also included. Please note that this warranty is non-transferable and cannot be assigned to any other party.

WHAT IS COVERED BY THE WARRANTY

This warranty is applicable only to the SUMERAIN manufactured product that you have purchased. SUMERAIN provides the following warranty against defects in material or workmanship: under normal installation, use, service, and maintenance, if the product or any of its components prove to be defective due to improper workmanship or materials, SUMERAIN will, at its discretion, provide free replacement parts or replace the entire product.

FINISH WARRANTY

Customers are responsible for thoroughly inspecting the product for any material or finish defects within three days of receiving it. Please note that SUMERAIN does not cover surface finish defects under warranty once the fixture has been installed.

ELECTRONIC FAUCETS WARRANTY

SUMERAIN guarantees its LED components, including electronic faucets, valves, controllers, and battery-powered devices, against material and manufacturing defects for one year from the date of purchase, under normal use. The water flow impeller power device (LED faucet power generation device) is guaranteed to be free from manufacturing defects for the first three months from the date of purchase.

LENGTH OF WARRANTY

As stated in the following, any replacement or repaired parts of the product will be covered for the duration of this warranty, which SUMERAIN provides for a period of 1 year from the original date of purchase.

CIRCUMSTANCES THAT SUMERAIN WILL NOT WARRANT AND PAY FOR:

- A. Conditions, malfunctions, or damage that do not result from defects in material or workmanship.
- B. Conditions, malfunctions, or damage resulting from normal wear and tear, improper installation, improper maintenance, misuse, abuse, negligence, accidents, alterations, or the use of abrasive or caustic cleaning agents, "no-rinse" cleaning products, or the product in a manner contrary to the provided instructions. This includes home conditions such as excessive water pressure or corrosion.
- C. Labor or other expenses associated with disconnection, deinstallation, or return of the product for warranty service, as well as installation or reinstallation of the product.
- D. Accessories, connected materials, and products (including but not limited to hand shower flexible hose, spray flexible hose, hand shower, shower head), or related products that are not manufactured by SUMERAIN.

TO OBTAIN WARRANTY PARTS OR INFORMATION

To obtain warranty parts or information professionally, please follow the steps below:

Contact your SUMERAIN retailer or dial the technical service phone number at +1-866-203-0866, or send an email to supports@sumerain.com.

When applying for warranty service, you will need to provide the following information:

- a. Sales receipt or other evidence of purchase date and platform.
- b. Detailed description of the problem.
- c. Ship the product or defective parts to the designated Sumerain warehouse in the United States with prepaid postage. Please ensure careful packaging and insurance of the items. Once the warranty service is completed, any repaired or replaced products or parts will be shipped back to you with prepaid postage.

If you have any further questions or need additional assistance, please contact the provided contact information.

EXCLUSIONS & LIMITATIONS

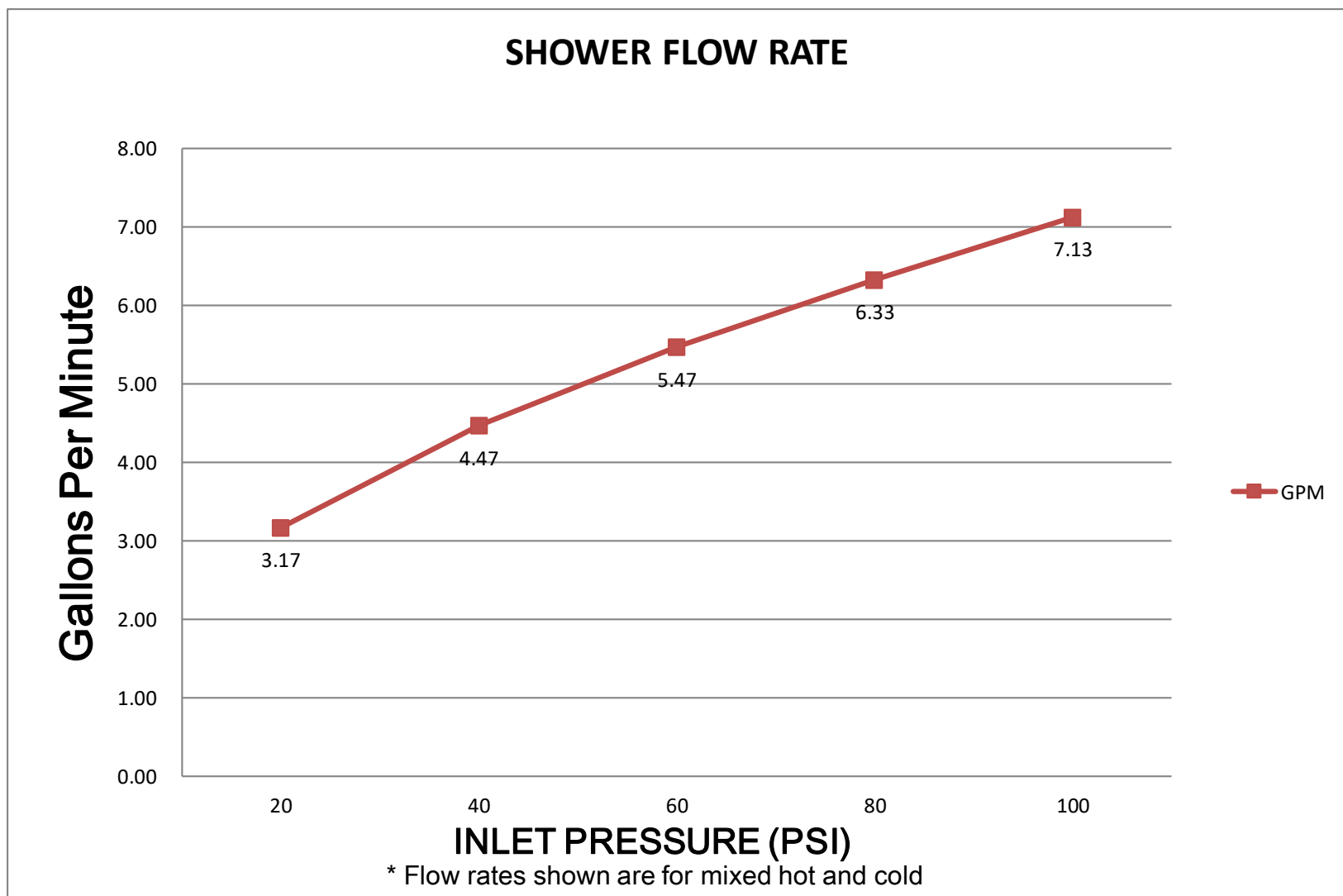
Pursuant to the terms of this warranty, repair, replacement (or, in limited circumstances, refund of the purchase price) shall be the sole remedy available to the purchaser. SUMERAIN assumes no obligations or liabilities and does not authorize any individual to create obligations or liabilities in relation to this product. SUMERAIN shall not be held liable to the purchaser or any party for any incidental, special, or consequential damages resulting from a breach of this warranty or any implied warranties (including merchantability). Please note that certain states do not allow the exclusion or limitation of incidental or consequential damages, therefore the aforementioned limitation or exclusion may not apply to you. This warranty grants you specific legal rights, and you may also have additional rights that vary from state to state. Before initiating any legal proceedings against us under the Magnuson-Moss Warranty Act, you may be legally required to provide us with a reasonable opportunity to rectify or resolve any non-compliance.

PRODUCT INSTRUCTIONS & QUESTIONS

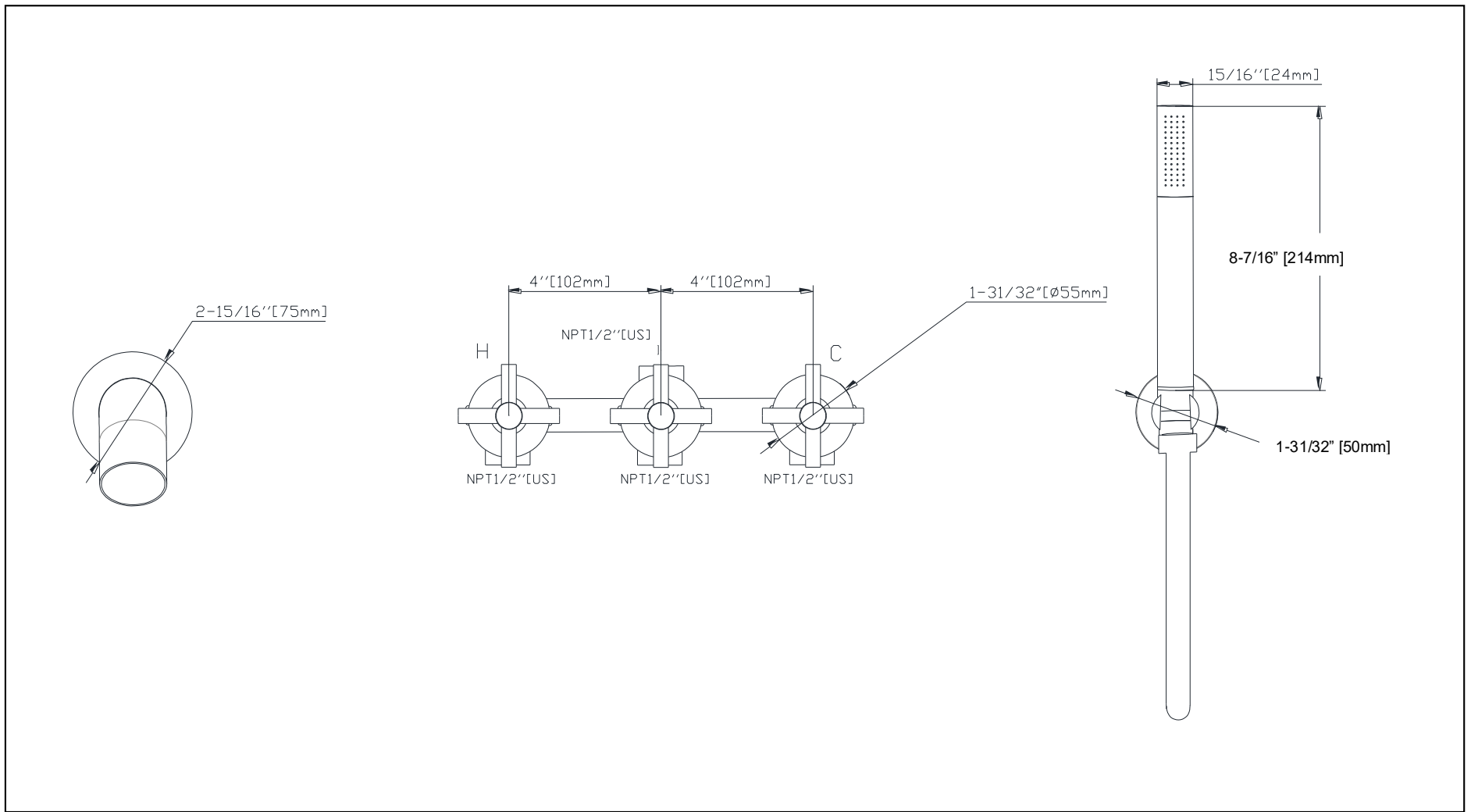
Prior to installation, we strongly recommend conducting a meticulous inspection of your SUMERAIN product to identify any potential damage or visible defects. It is crucial to thoroughly review the accompanying instructions regarding the correct installation, maintenance, and care procedures for the product. Should you have any inquiries regarding the utilization, installation, performance, or this warranty of your SUMERAIN product, please don't hesitate to reach out to us at +1-866-2030-866 or via email at supports@sumerain.com. Our dedicated team is readily available to provide professional assistance and address any concerns you may have.

FUNCTIONS AND SPECIFICATION

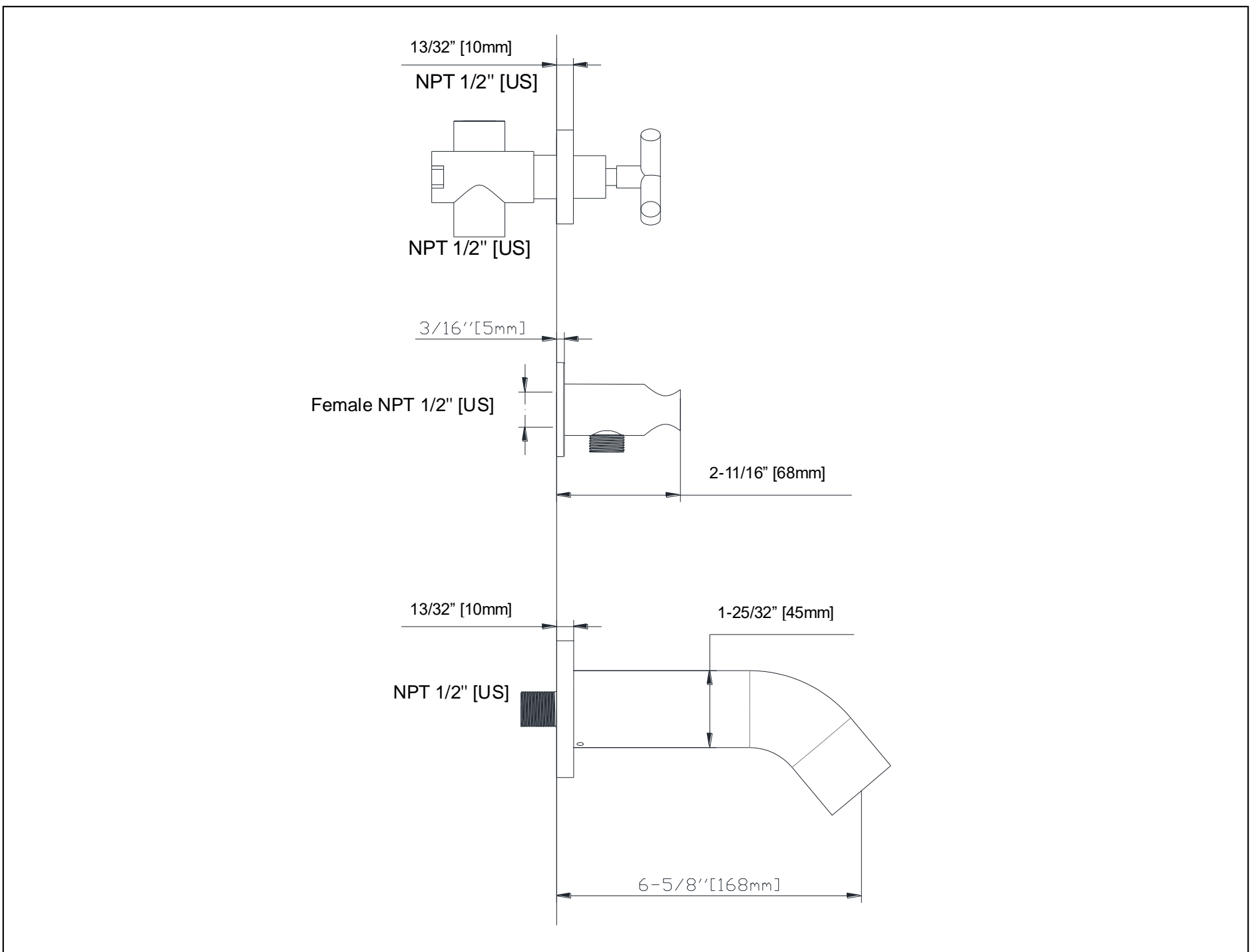
Faucet Type	Tub Faucet
Feature	Waterfall
Theme	Modern, Contemporary
Mounting Type	Wall Mounted
Finish	Chrome, Brushed Nickel, Matte Black, Brushed Gold
Number of Handles	Three
Handles Material	Metal
Handle Style	Knob
Escutcheon Included	Yes
Valve Type	Ceramic Disc
Faucet Body Material	Brass
Escutcheon Material	Metal
Diverter Included	Yes
Hand Shower Included	Yes
Diverter Location	Rough-in Valve
Tub Spout Flow Rate	5.47 GPM [20.71L/M] @60PSI
Hand Shower Flow Rate	1.75GPM [6.62L/M] @60PSI
Tub Spout Material	Stainless Steel
Tub Spout Reach	6-5/8 Inch [168mm]
Tub Spout Width	1-25/32 Inch [45mm]
Hand Shower Length	8-7/16 Inch [214mm]
Shower Hose Included	Yes
Shower Hose Length	59-1/16Inch [1500mm]
Recommend Working Water Pressure	43.5PSI~145PSI[0.3 MPa~1MPa]
Net Weight	5.97lbs [2.71KG]
Gross Weight	7.14lbs [3.24KG]
Packing Box [L x W x H]	16-9/16"[420mm]x11-7/16"[290mm]x4-5/16"[110mm]



DEMENSION



FRONT VIEW OF FAUCET



SIDE VIEW OF SHOWER

INSTALLATION STEPS

1. BEFORE PROCEEDING



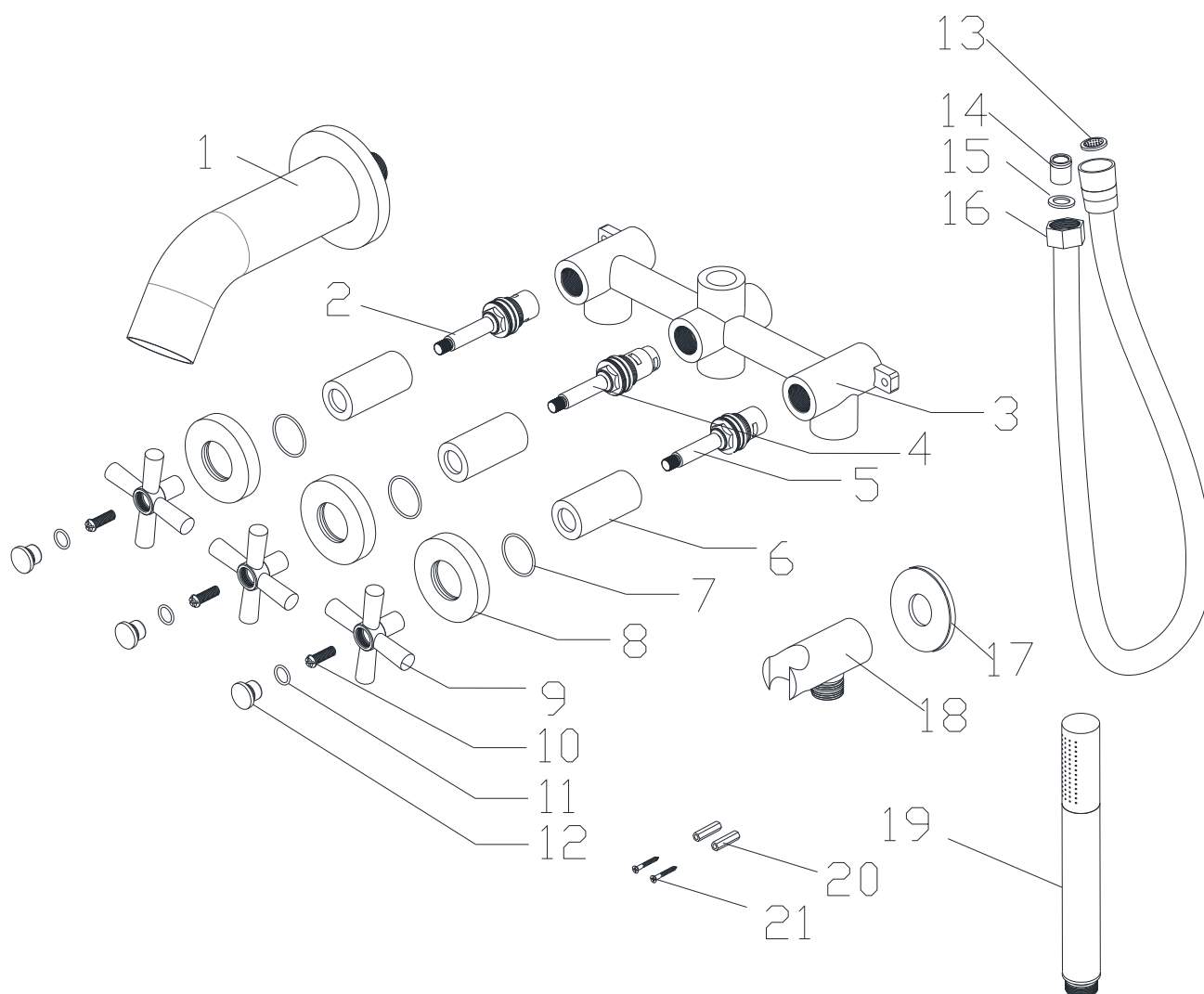
WARNING: Before proceeding with any operation, please read all instructions thoroughly. If you are uncertain about installing this product, please consult a professional! This product should be installed in accordance with all local and state plumbing and building codes. It is recommended to seek professional assistance.

2. SHUT OFF WATER SUPPLY

Locate the water supply inlets and shut off the corresponding water supply valves, typically found near the water meter. If replacing an existing unit, remove the old unit and thoroughly clean the mounting surface.

3. CHECKING THE CONTENTS OF THE BOX

Upon opening the box, check to ensure that all the following items are included.

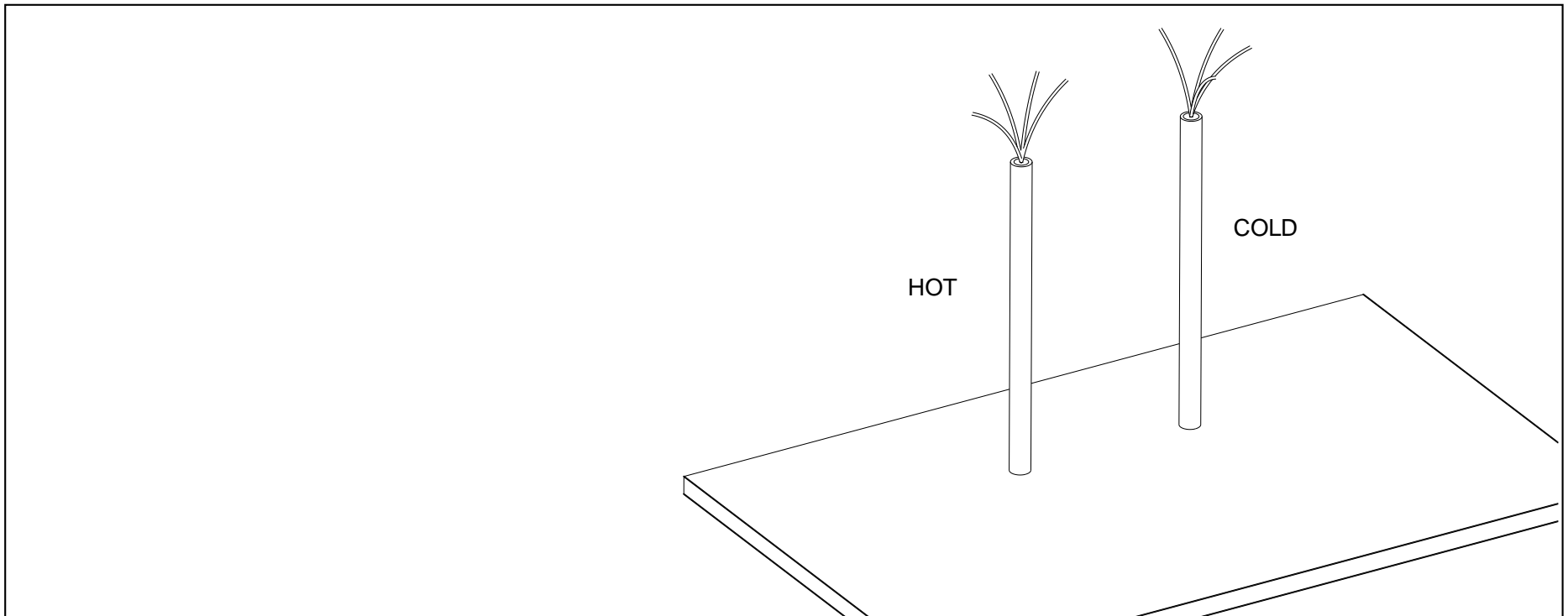


NO.	ITEM NAME	MATERIAL	QTY	PART NO.	NO.	ITEM NAME	MATERIAL	QTY	PART NO.
1	Spout	ASSEMBLE	1	PSP32301XX	12	Screw Cover	Zn Alloy No.3	3	PSA13860XX
2	Hot Disc Cartridge	ASSEMBLE	1	PCT13860XX	13	Flow Restrictor	ASSEMBLE	1	PAE00035XX
3	Rough-in Valve	HPB59-1	1	PVB21290PB	14	Check Valve	ASSEMBLE	1	PAE00043XX
4	Diverter Cartridge	ASSEMBLE	1	PCT21335XX	15	Rubber Washer	NBR	1	PRW19020XX
5	Cold Disc Cartridge	ASSEMBLE	1	PCT13861XX	16	Shower Hose	ASSEMBLE	1	PFH00015XX
6	Cartridge Sleeve	Zn Alloy No.3	3	PFC13861XX	17	Hand Shower Holder Flange	SUS304	1	PFC32320XX
7	O-Ring	NBR	3	POR30020XX	18	Hand Shower Holder	ASSEMBLE	1	PHH32322XX
8	Escutcheon	Zn Alloy No.3	3	PEC13860XX	19	Handheld Shower	ASSEMBLE	1	PHS32230XX
9	Knob	Zn Alloy No.3	3	PHD13860XX	20	Anchor	ABS	2	PSA00010XX
10	Set Screw	SUS304	3	PSC04015XX	21	Mounting Screw	SUS304	2	PSC00002XX
11	O-Ring	NBR	3	POR12015XX					

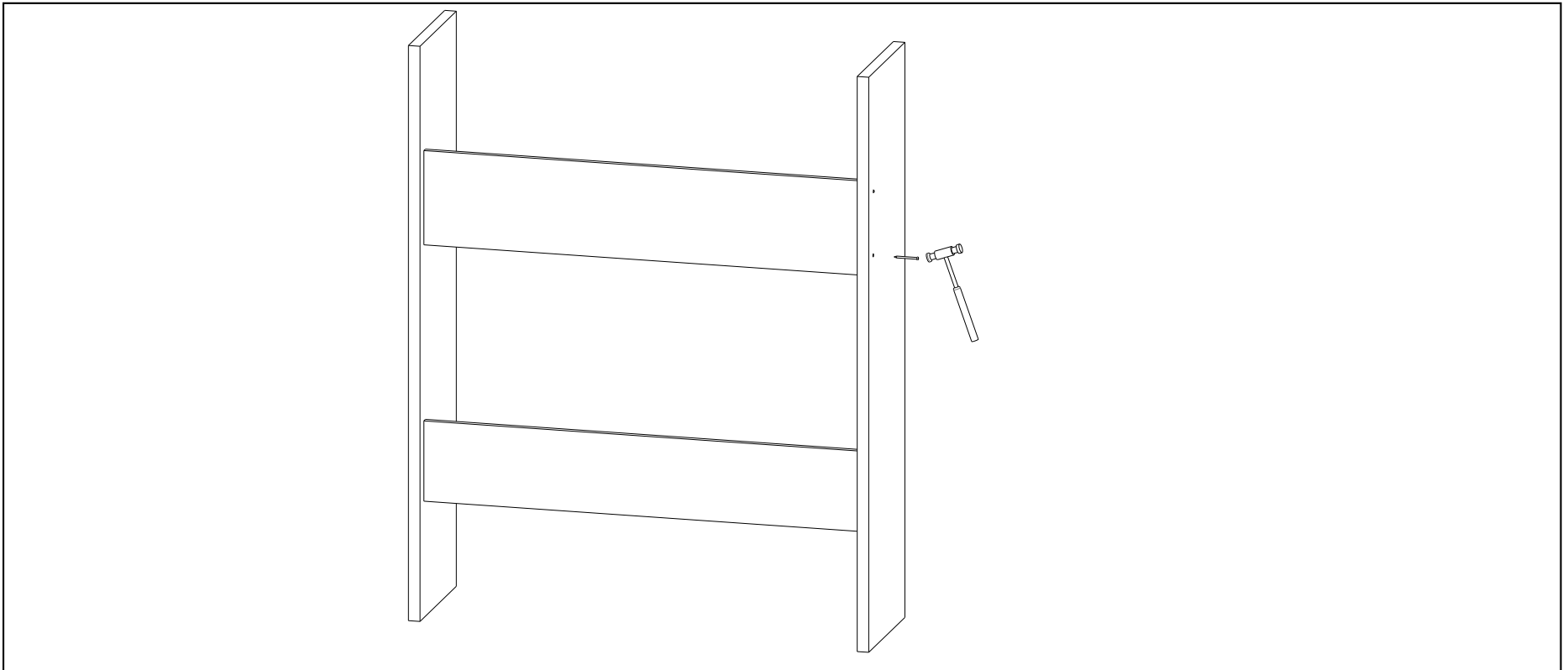
If any of these items are missing, please contact SUMERAIN consumer service by email to: supports@sumerain.com

5. INSTALLATION

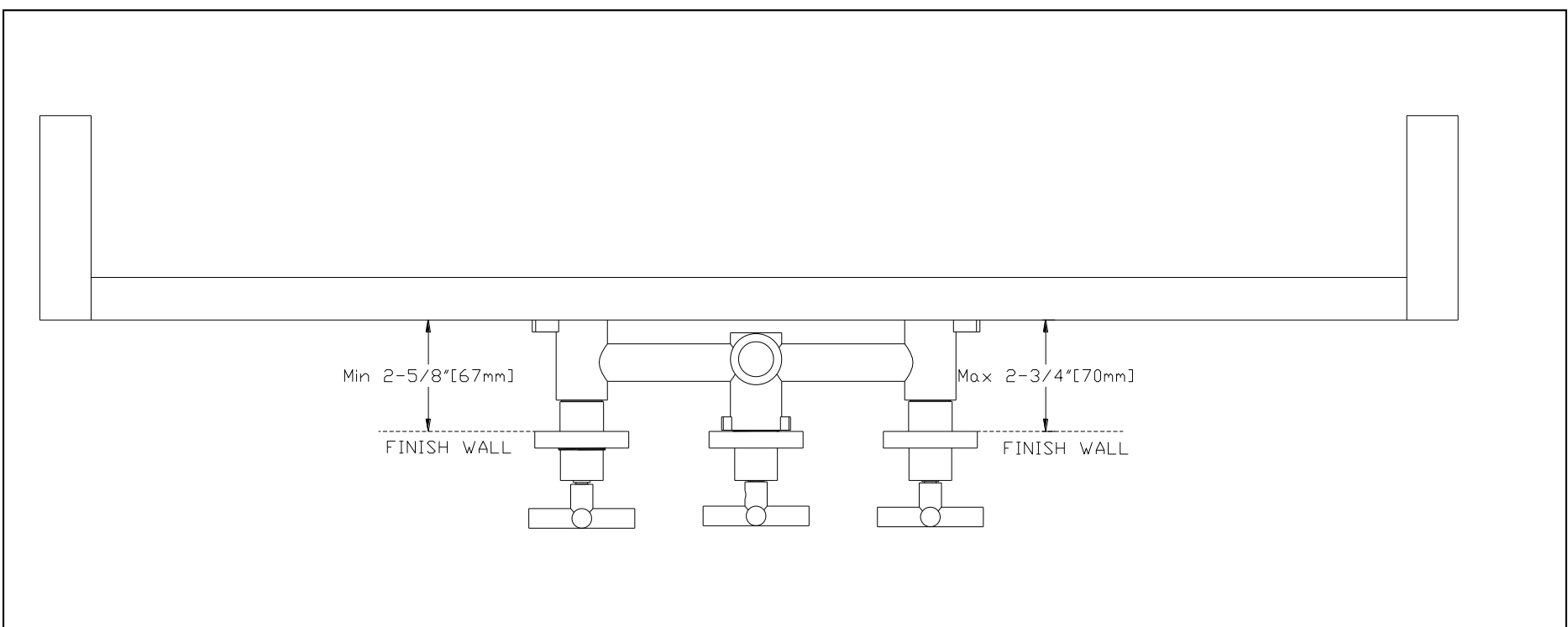
5.1 Turn on your shut-off valve for cleaning the hot and cold water supply pipe before connect to the faucet, allow the water flush 3~5 minutes to flush out dirt and debris. Shut off the water supply again after done.



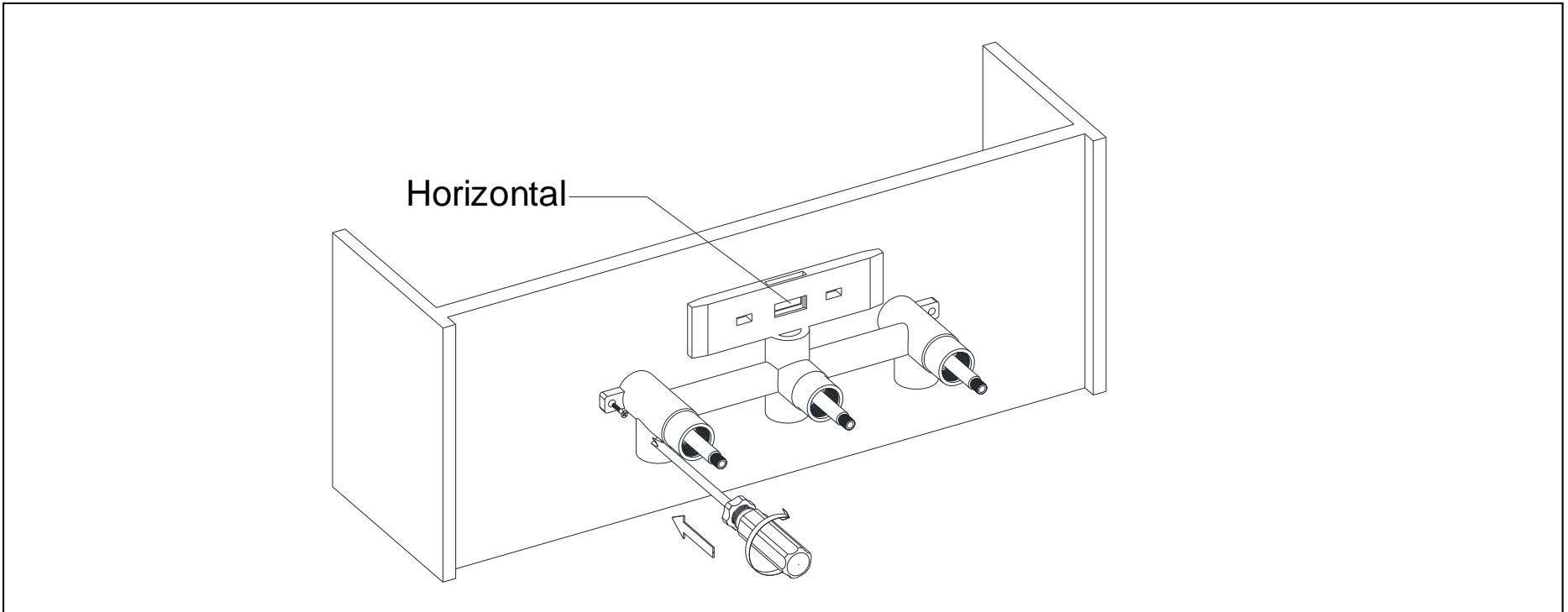
5.2 Make a mounting rack (normally use wood as the material) for preparing install the rough-in valve. The face of the mounting board should be positioned a minimum of 2-5/8" [67mm] to a maximum of 2-3/4" [70mm] behind the finish wall surface.



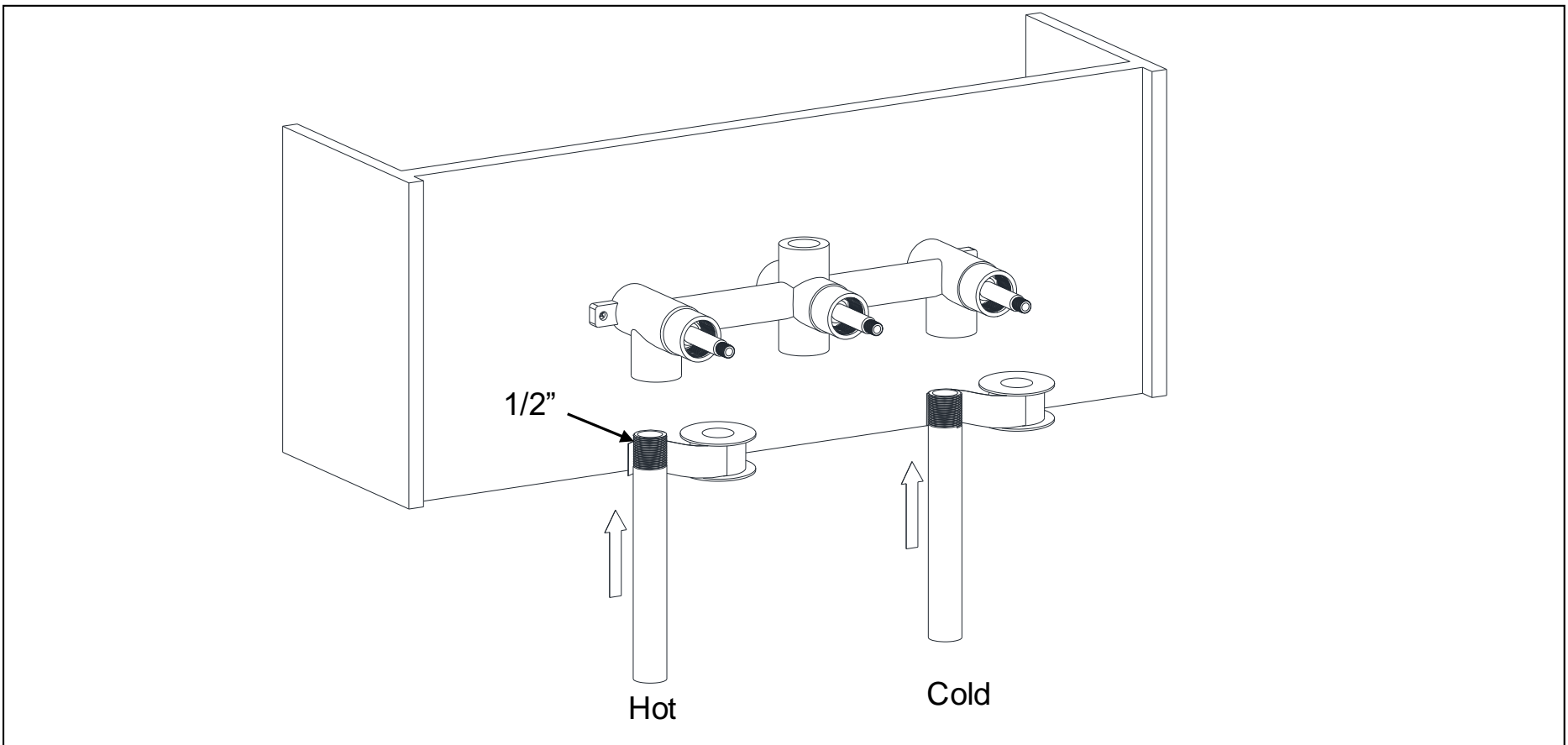
WARNING: Incorrect installation deep may result in huge rework cost.



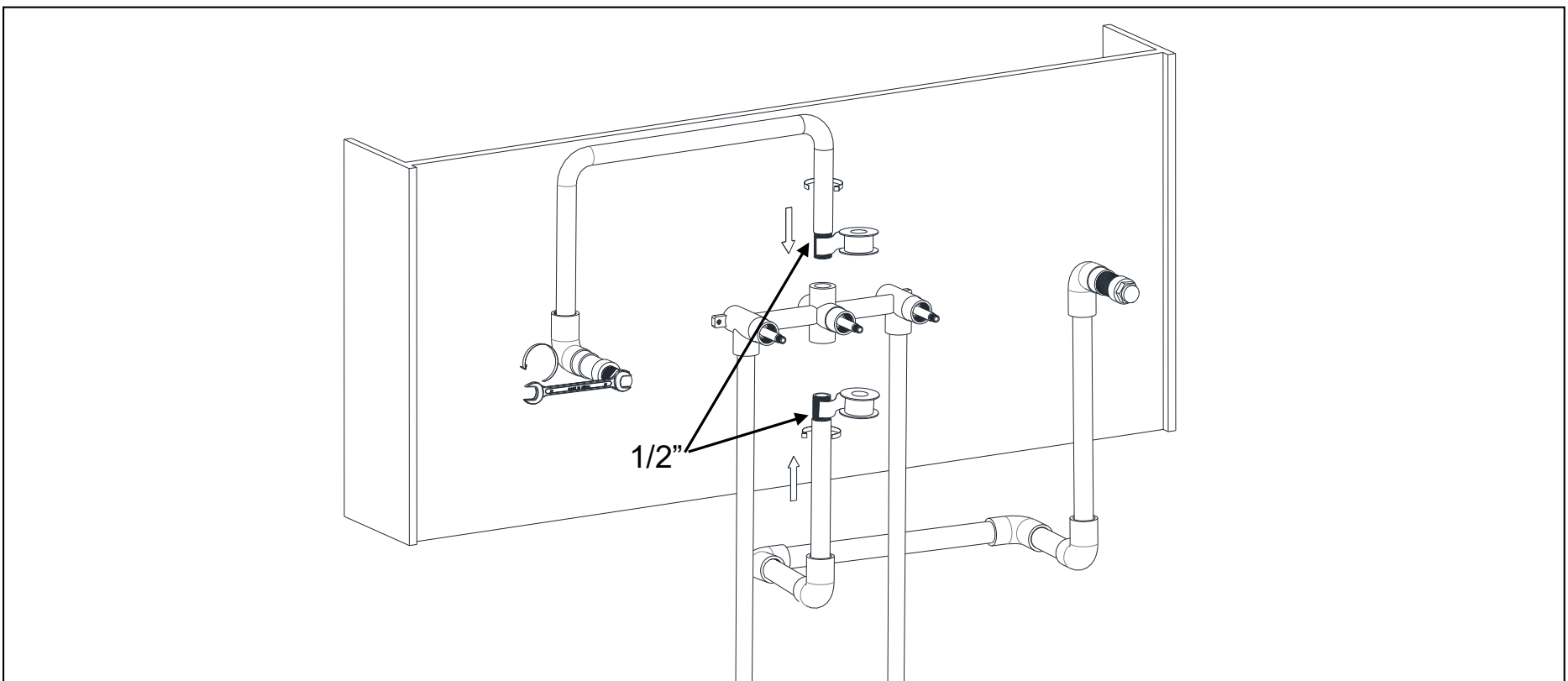
5.3 Secure the rough-in valve assembly to the mounting rack with screws.



5.4 Apply Teflon tape to the thread of supply pipe outlet and then connect to valve inlet. Rough-in Valve Connection thread for Hot & Cold water inlet: NPT 1/2" [US, CA].



5.5 Install the spout and hand shower inlet hose.
Connection thread for faucet spout: NPT 1/2" [US, CA].
Handheld shower outlet requires a 1/2-inch NPT male thread connection.



5.6 Plumbing Pressure Testing and Leak Testing.

(a.) Water Pressure Testing Standards

Test Pressure:

- The test pressure shall be 1.5 times the working pressure of the piping system, but not less than 60 PSI (pounds per square inch).
- If the design working pressure of the piping system is less than 60 PSI, the test pressure shall be 60 PSI.
- Recommended test pressure: 100 PSI to 120 PSI (approximately 6.9 to 8.2 bar).

Test Duration:

- The test duration is typically 15 minutes.
- During the test, the pressure should remain stable with no significant drop.

Testing Method:

1. Seal the piping system, ensuring all openings (e.g., faucets, valves) are closed.
2. Use a manual pump or pressure testing equipment to pressurize the system to the specified test pressure.
3. Observe the pressure gauge to ensure the pressure remains stable during the test.
4. Inspect all connections, joints, and faucets for any signs of leakage.

Pass Criteria:

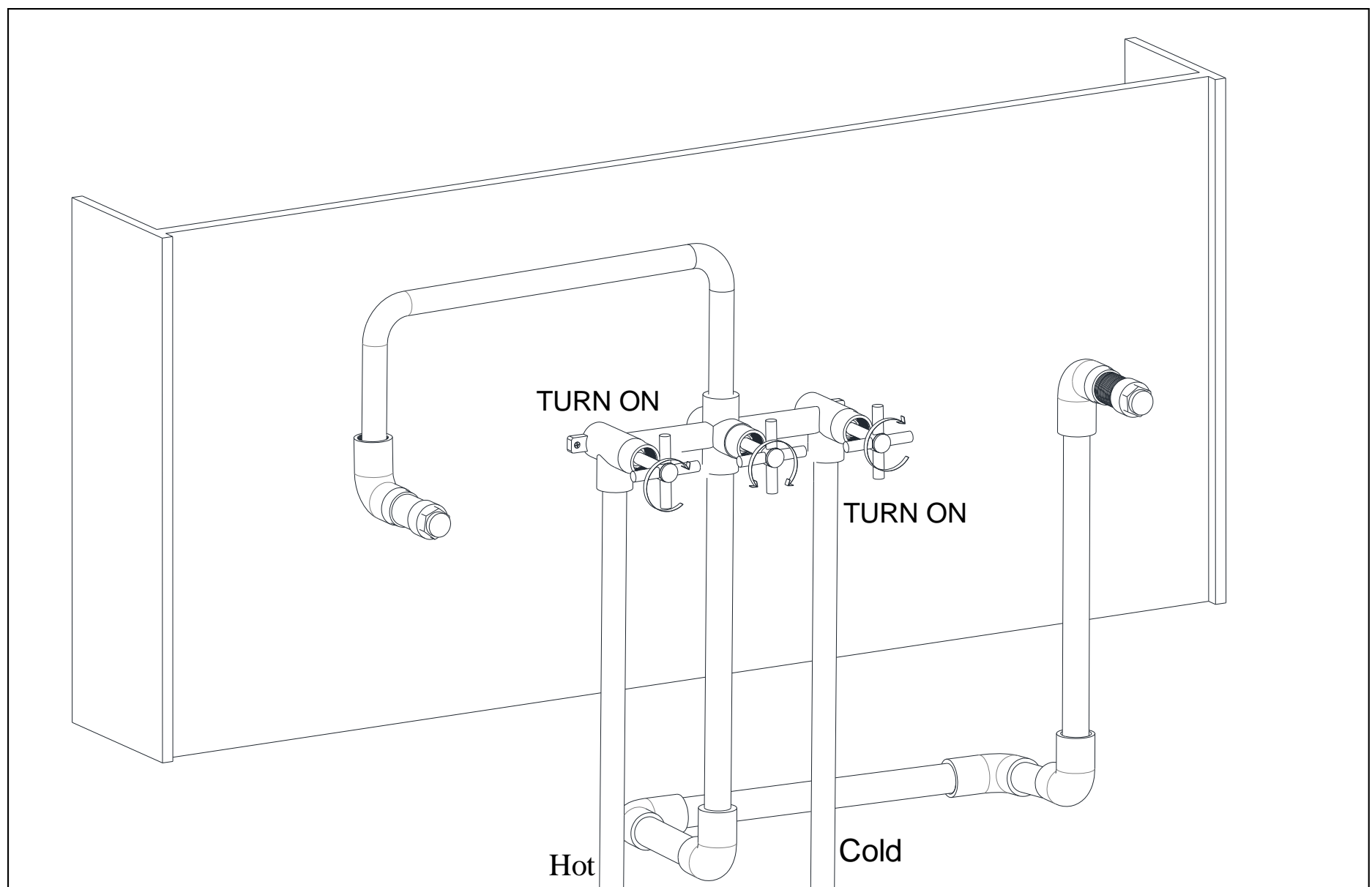
- If the pressure remains stable with no significant drop and no leakage is observed during the test, the piping system passes the test.
- If the pressure drops or leakage is detected, repair the issue and retest.

Precautions:



- Safety: The test pressure should not exceed the rated pressure of the pipes and fittings to avoid damage.
- Record: Record the test pressure, duration, and results for future inspection or maintenance purposes.

(b.) Leak Testing: After completing the plumbing pressure test, turn on the hot and cold water supply again and check all connections for leaks. Please shut off your hot and cold water supply again if no leaking.

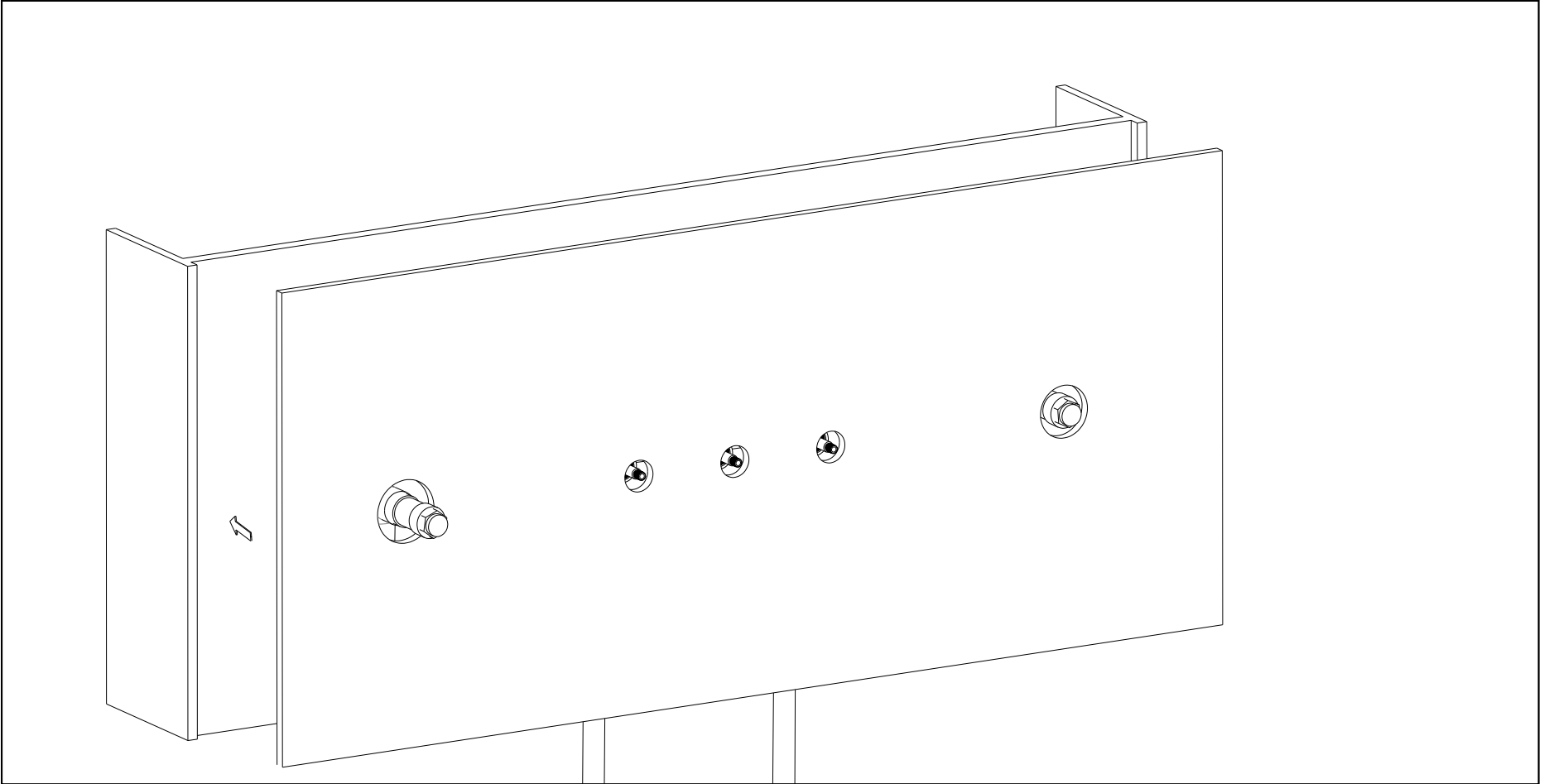


Precautions:

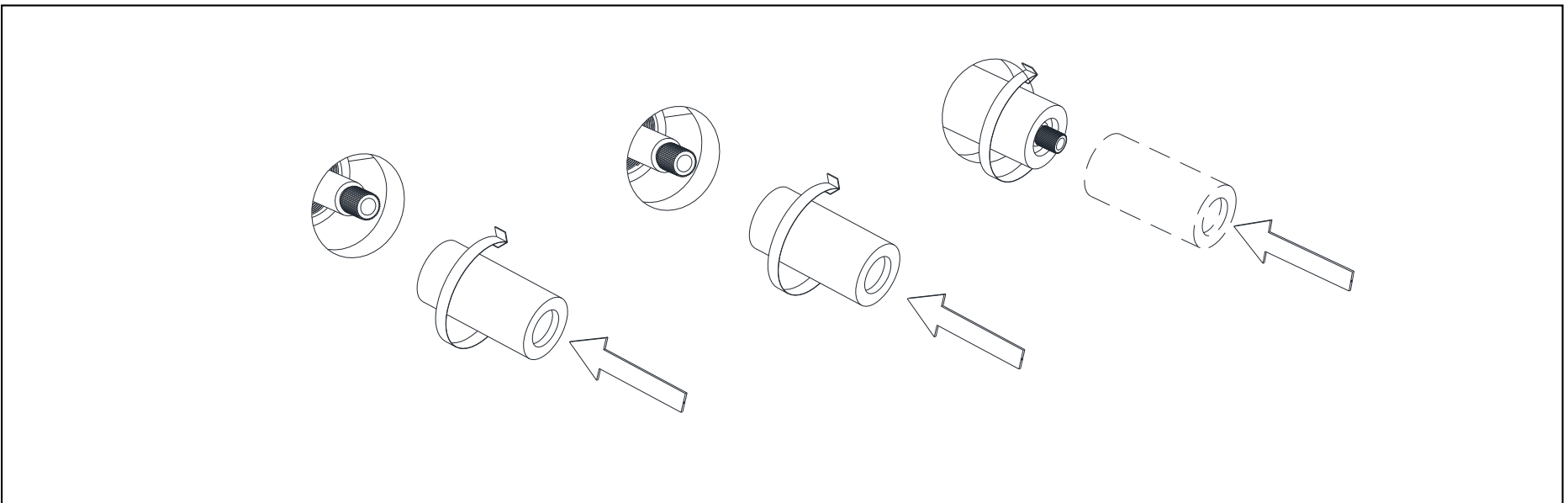


- Record: Record the test pressure, duration, and results for future inspection or maintenance purposes.

5.7 Done the finish wall.



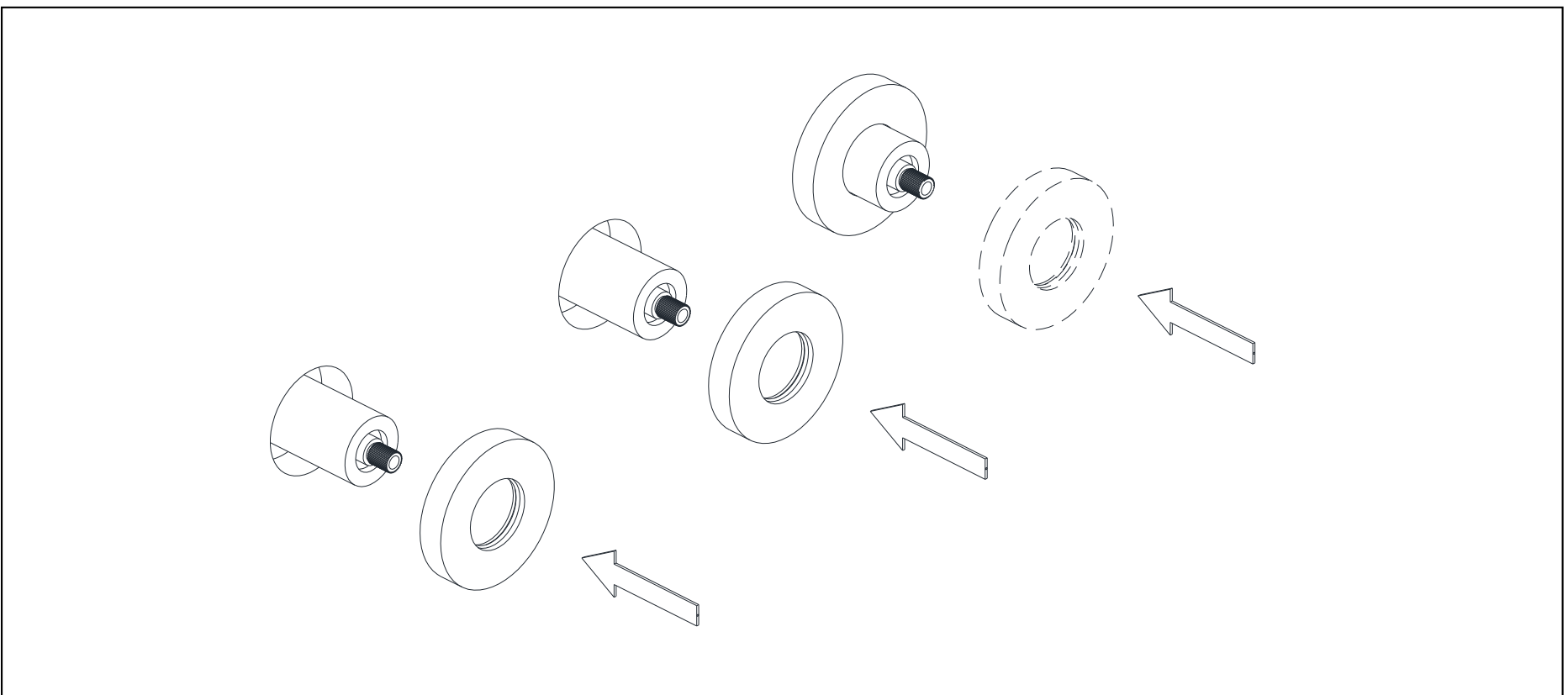
5.8 Screw the sleeves to cartridges.



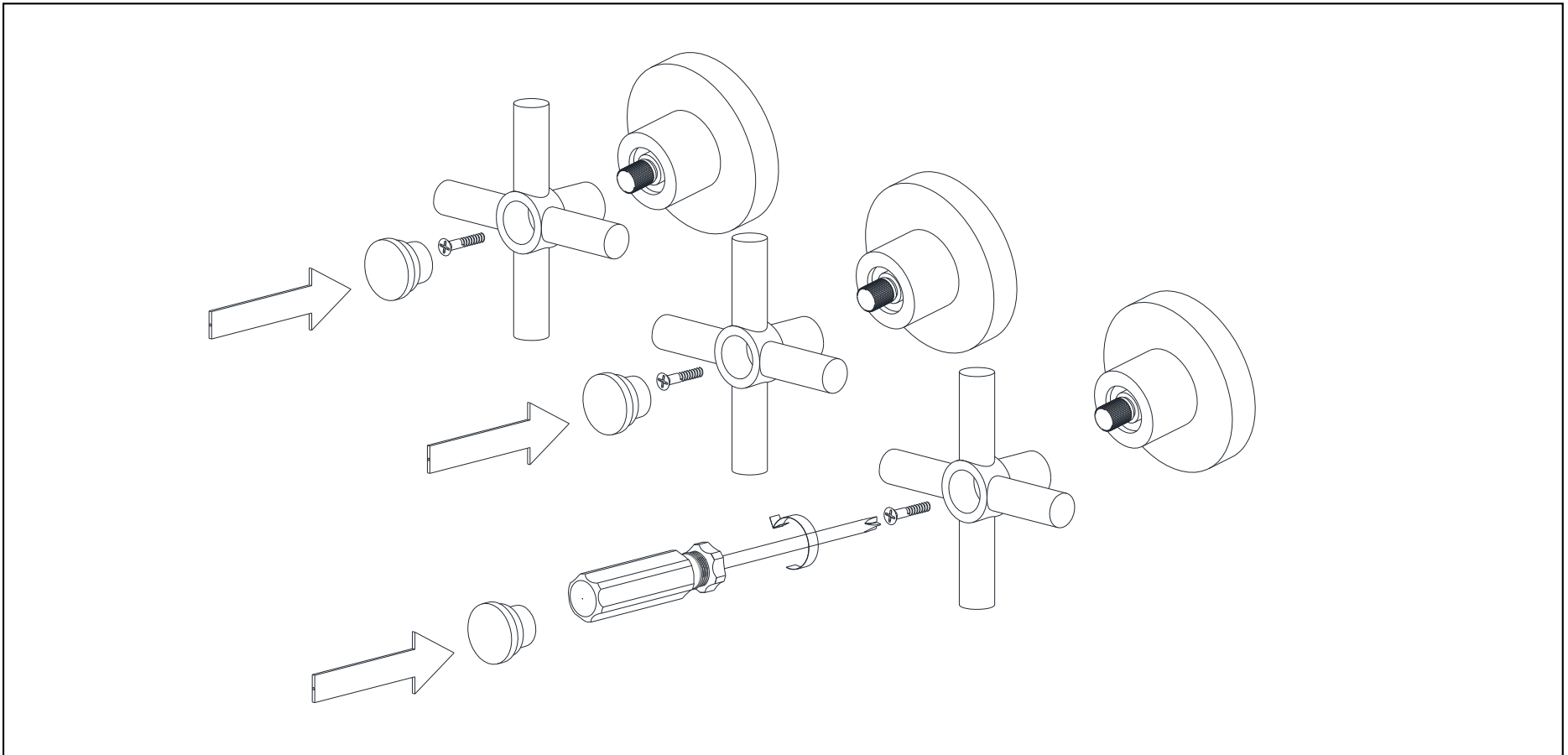
5.9 Attach the escutcheons to the sleeves and seal the wall around the escutcheons edge with waterproof sealant.



WARNING: Failure to seal the wall can lead to possible water damage.

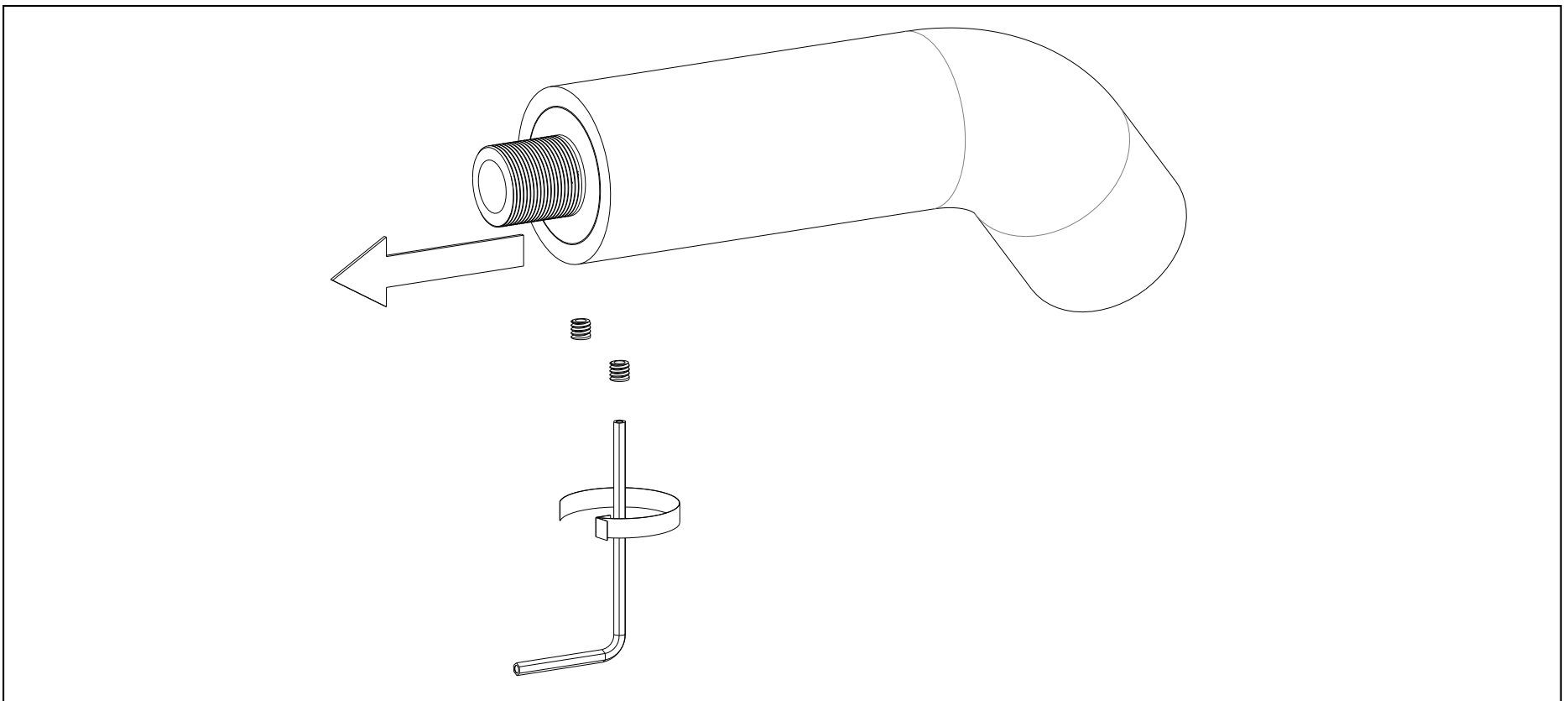


5.10 Attach and secure the knobs to cartridge stems with screws by Philips Screwdriver.

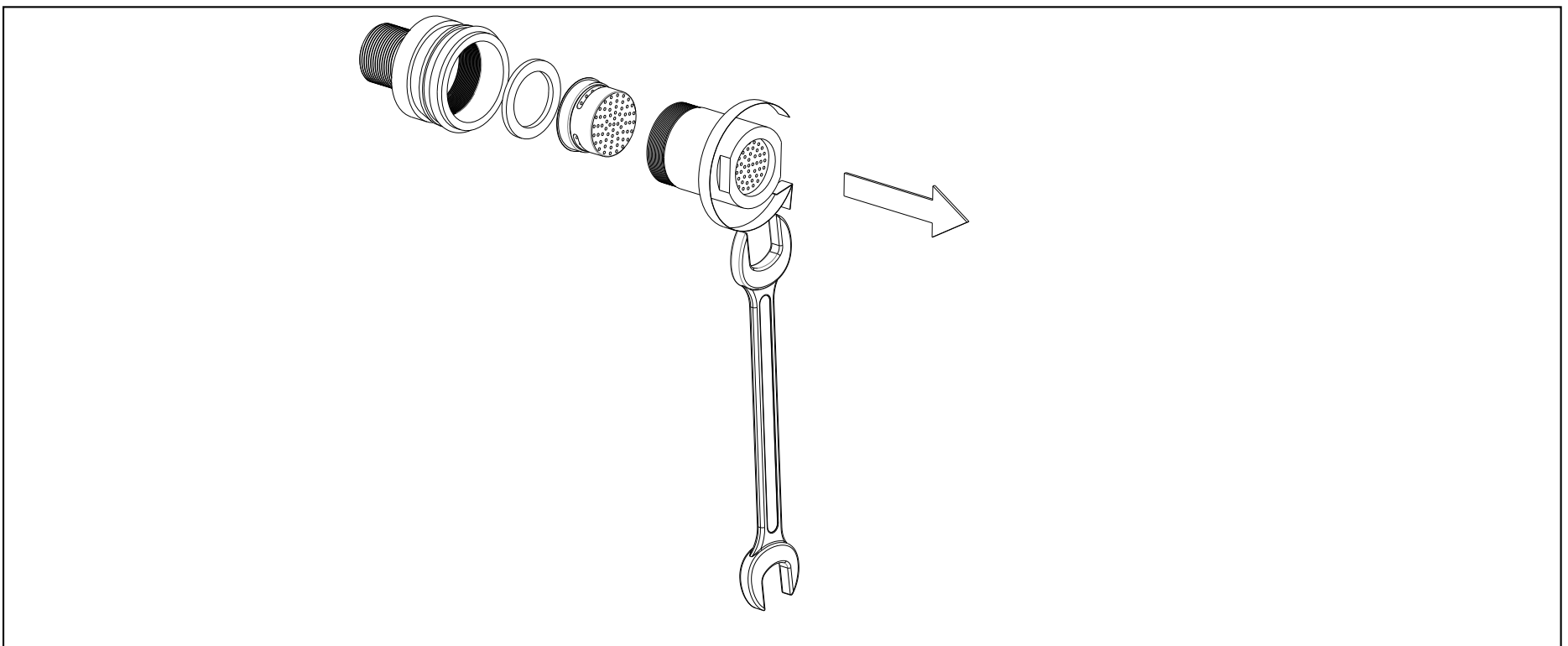


6. TUB SPOUT INSTALLATION

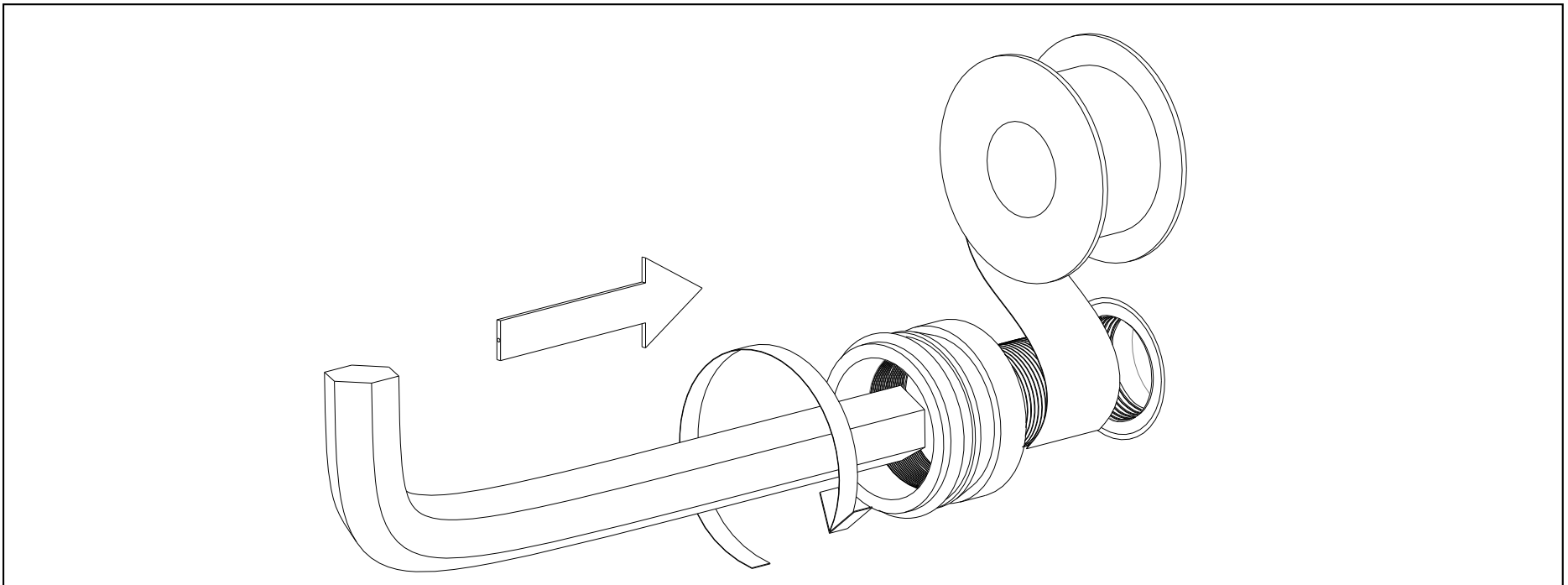
6.1 Loosen the set screws by Allen wrench and remove the spout connector assembly from the tub spout assembly.



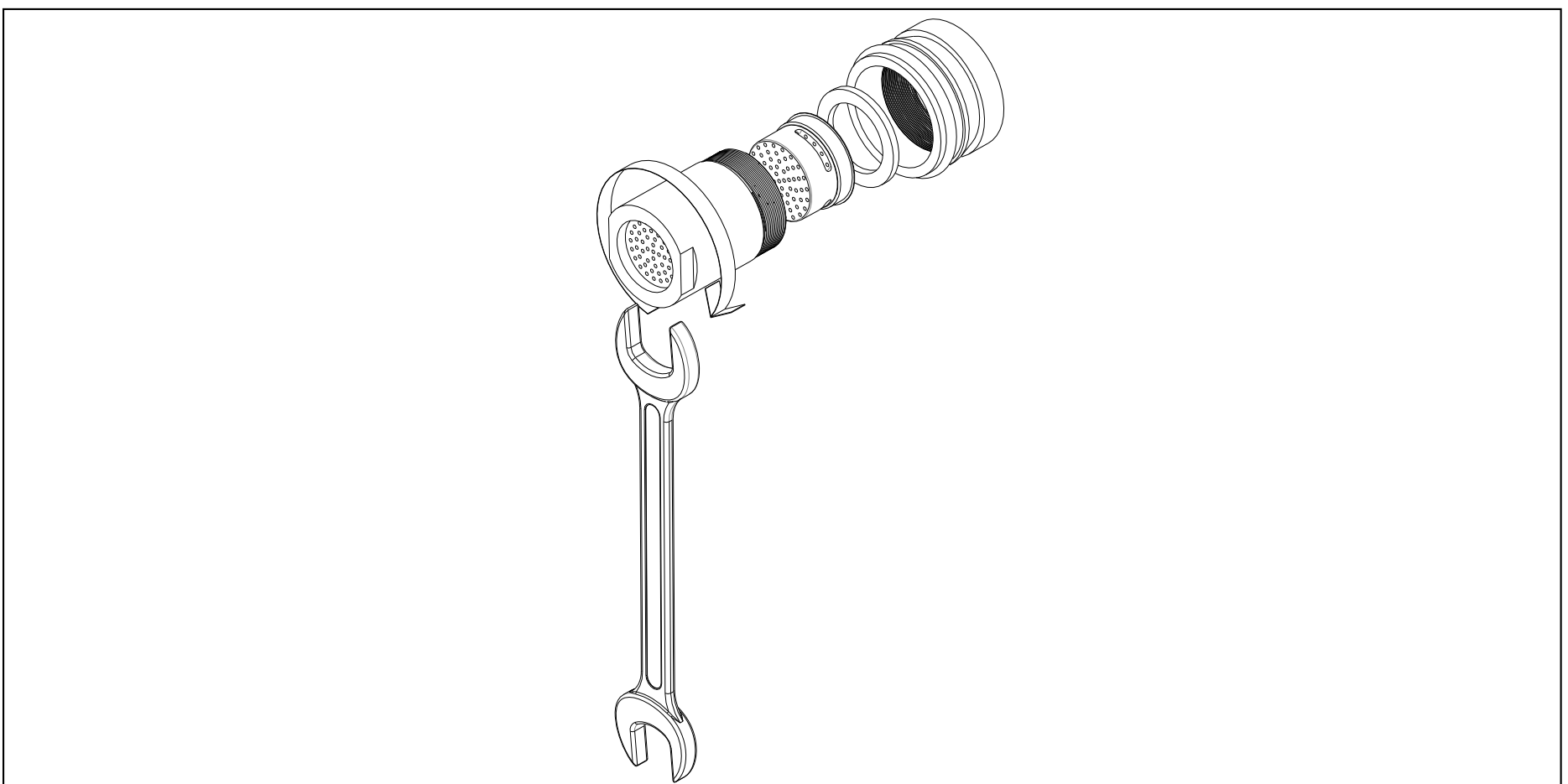
6.2 Remove the aerator cover by adjustable wrench and disassemble all inside parts from the spout connector.



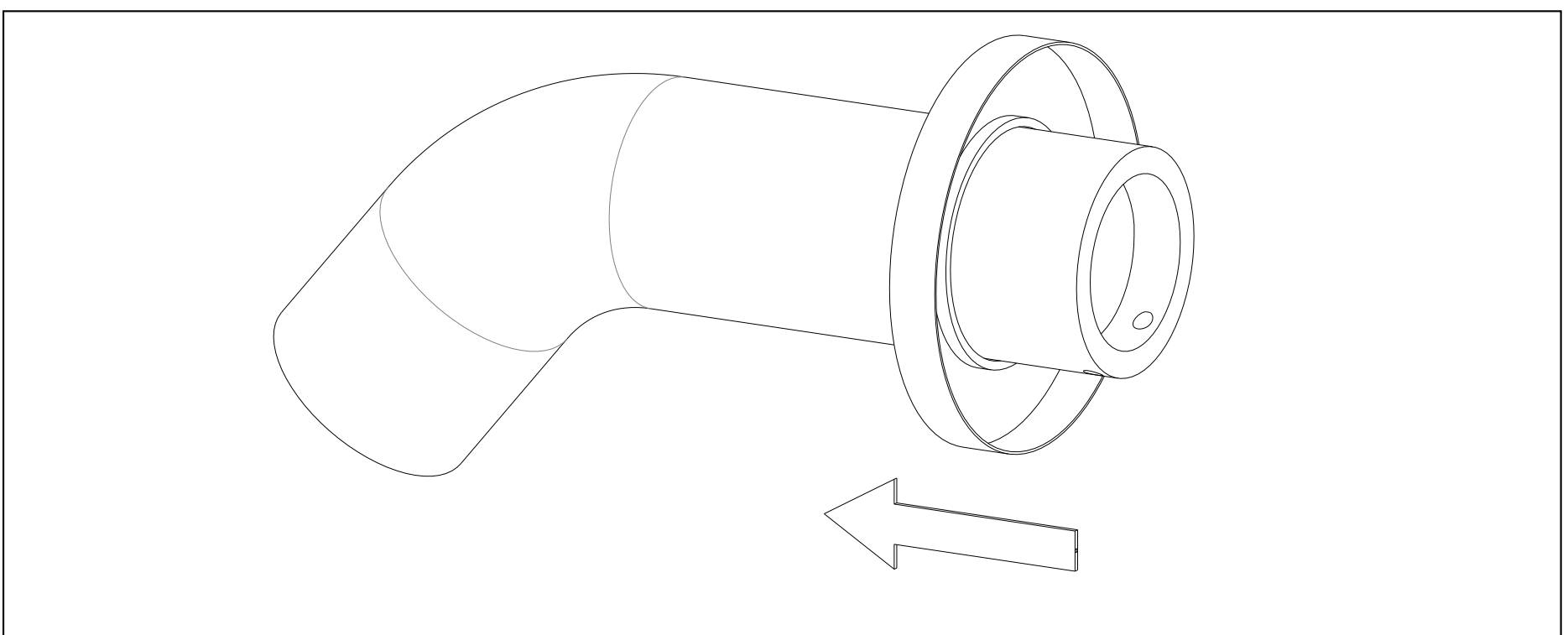
6.3 Apply Teflon tape to the thread of spout connector and screw the thread into the pipe elbow inside the wall.



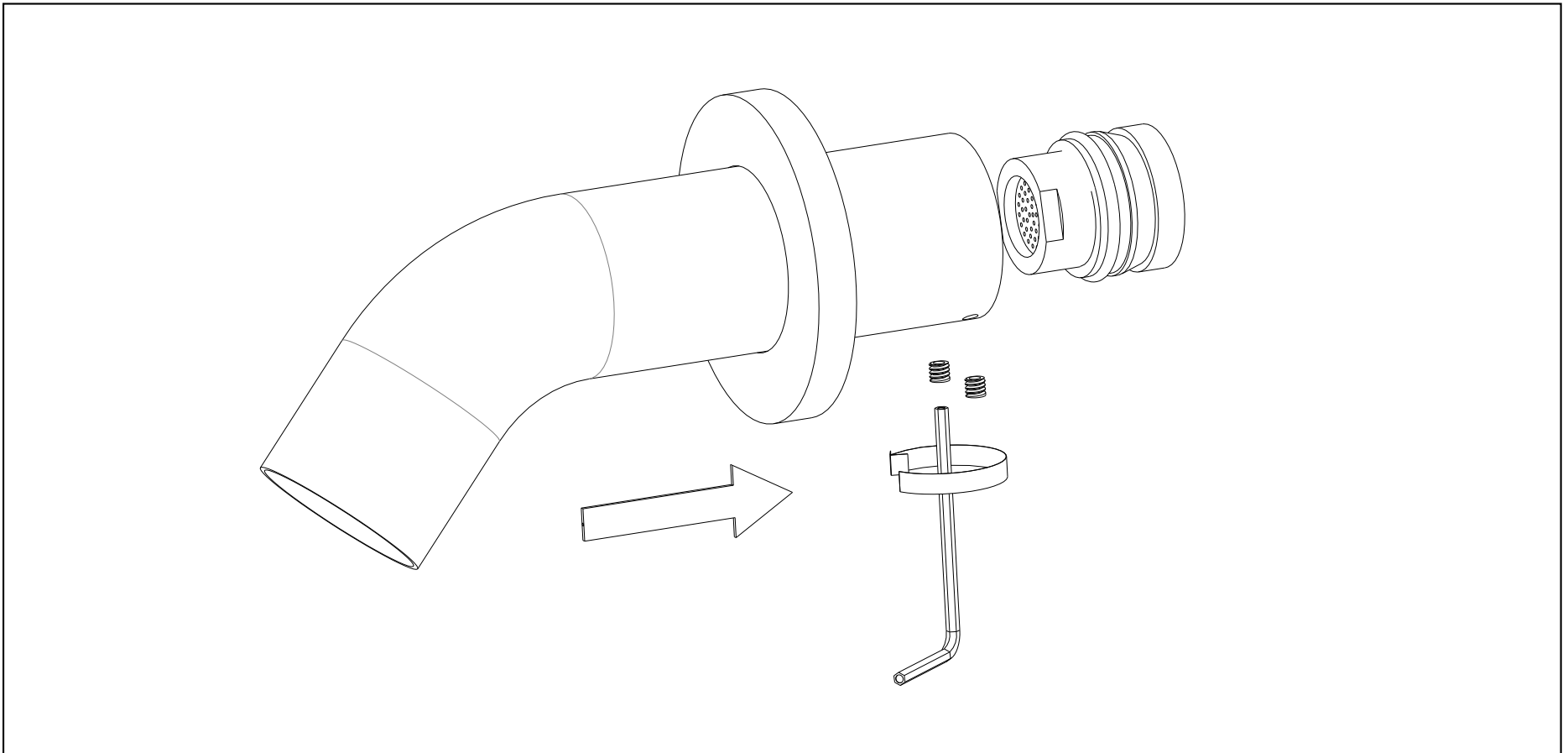
6.4 Reinstall the aerator cover and all inside parts to the spout connector by adjustable wrench.



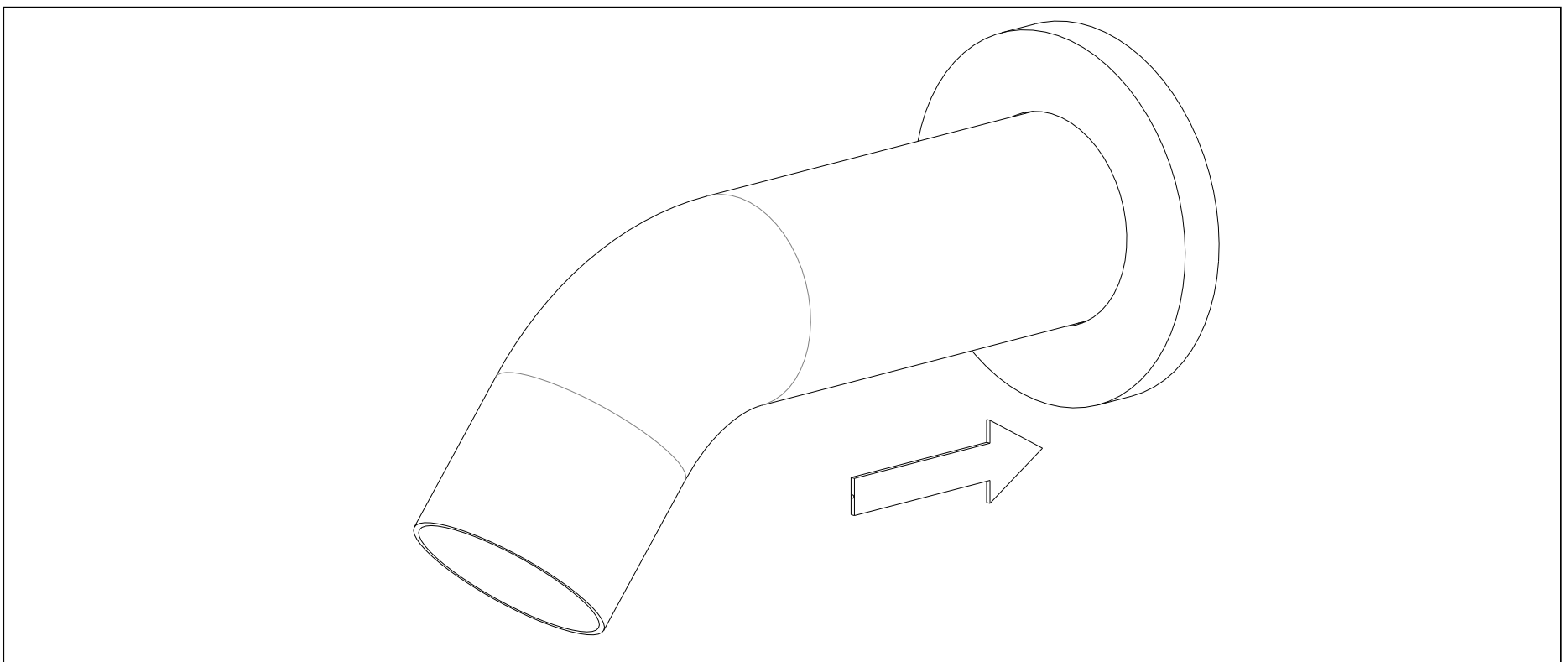
6.5 Push the flange to tub spout from behind.



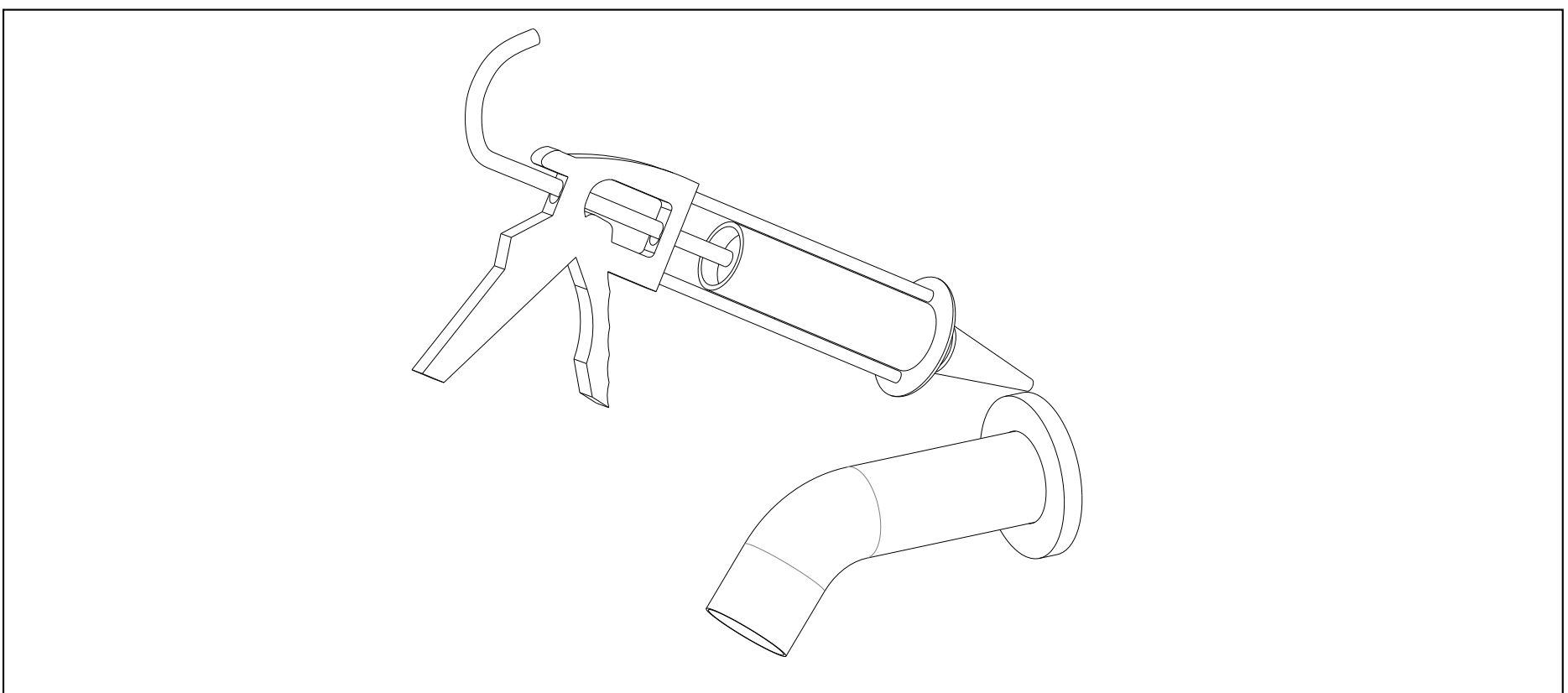
6.6. Docking the tub spout to the spout connector assembly and secure with set screws by Allen Wrench.



6.7. Attach the flange to finish wall.

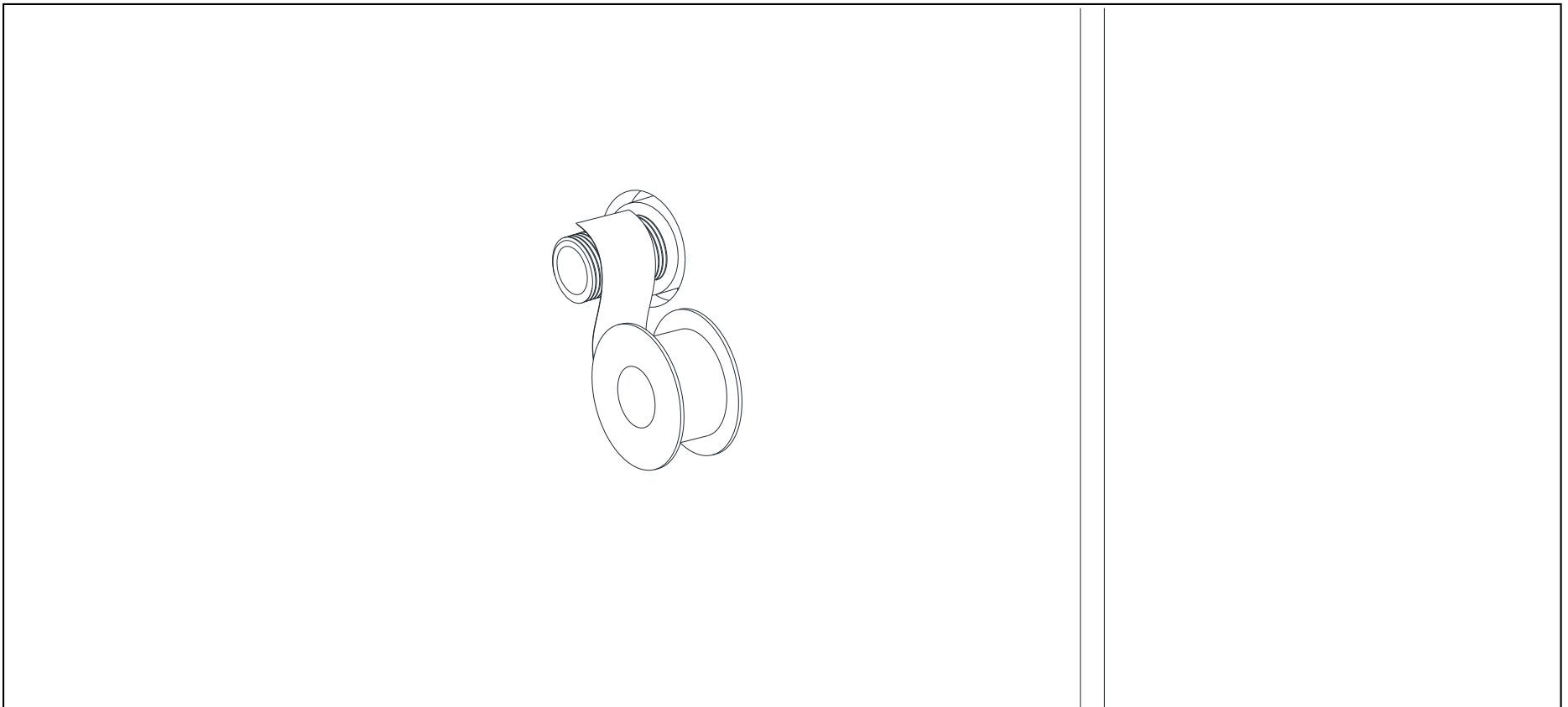


6.8 Seal the wall around the flange with waterproof sealant.

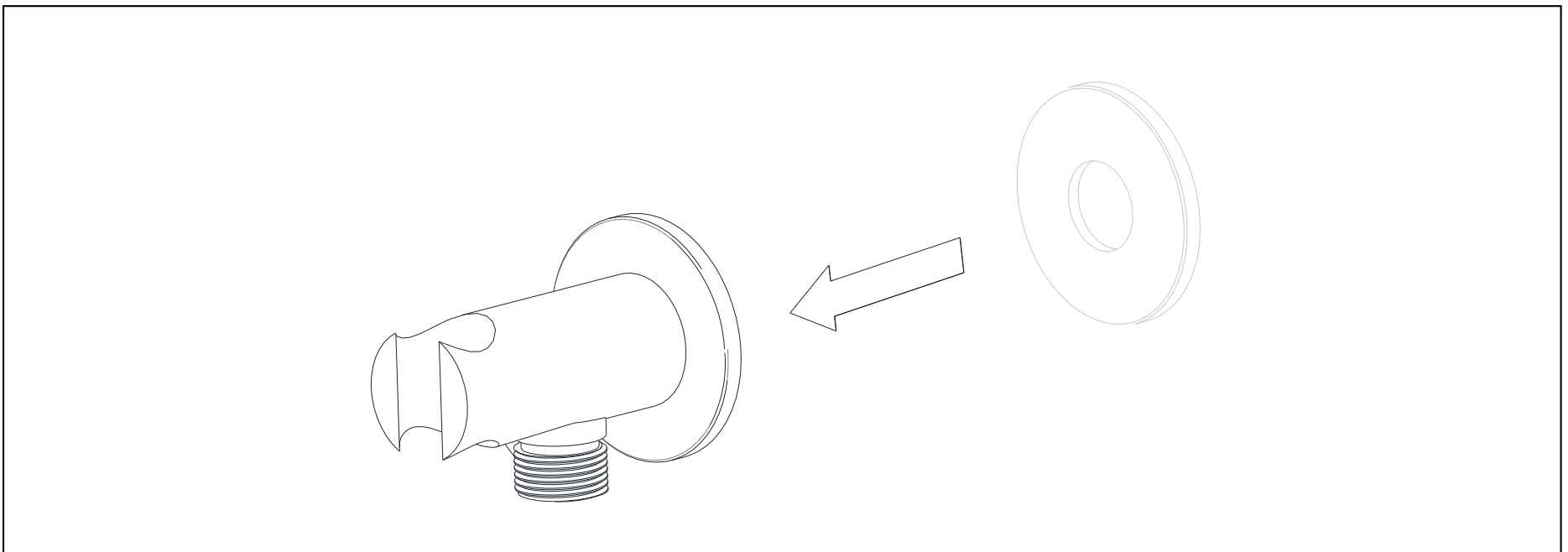


7. HAND SHOWER INSTALLATION

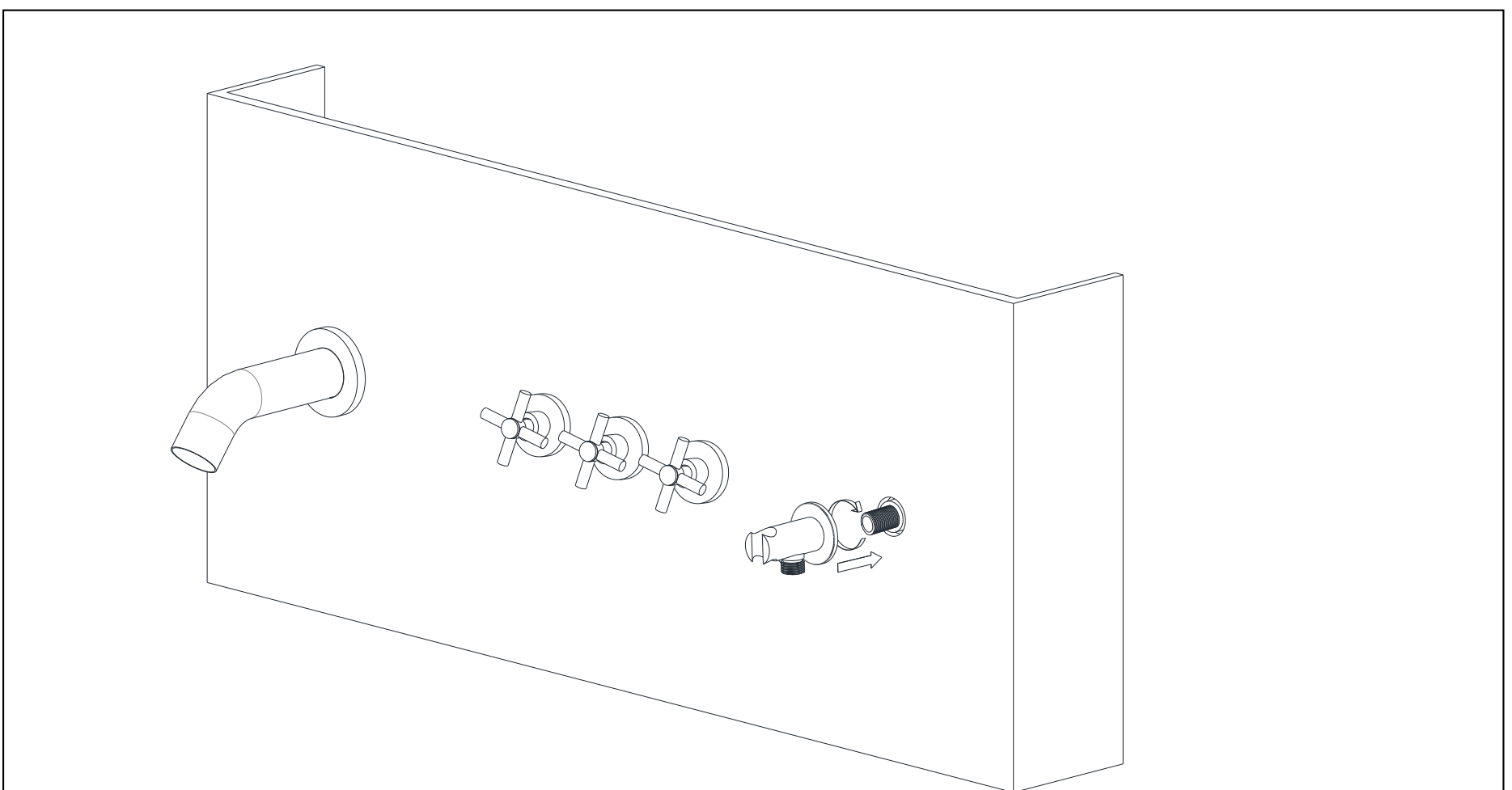
7.1 Apply Teflon tape to the thread of wall supply elbow.



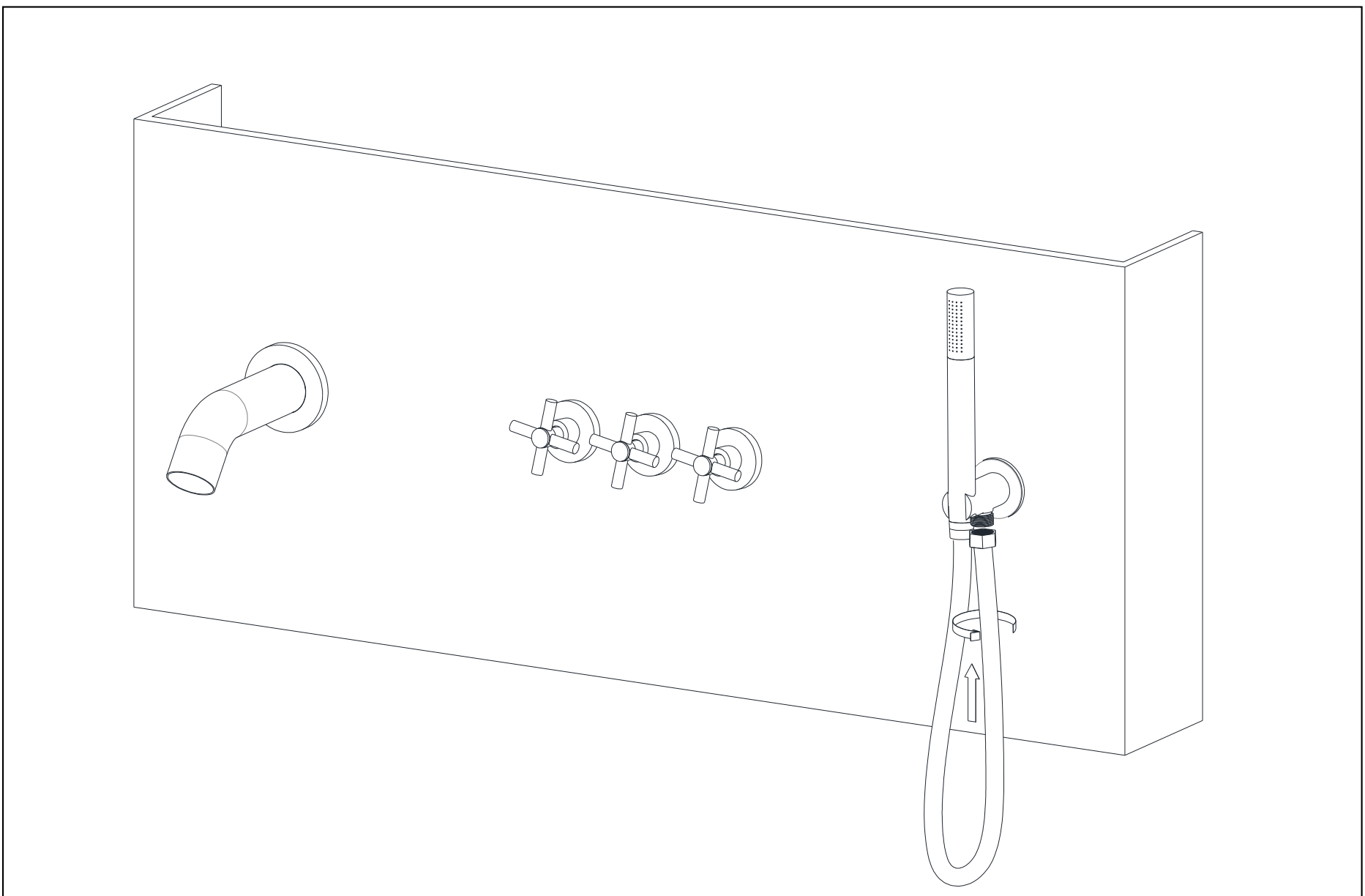
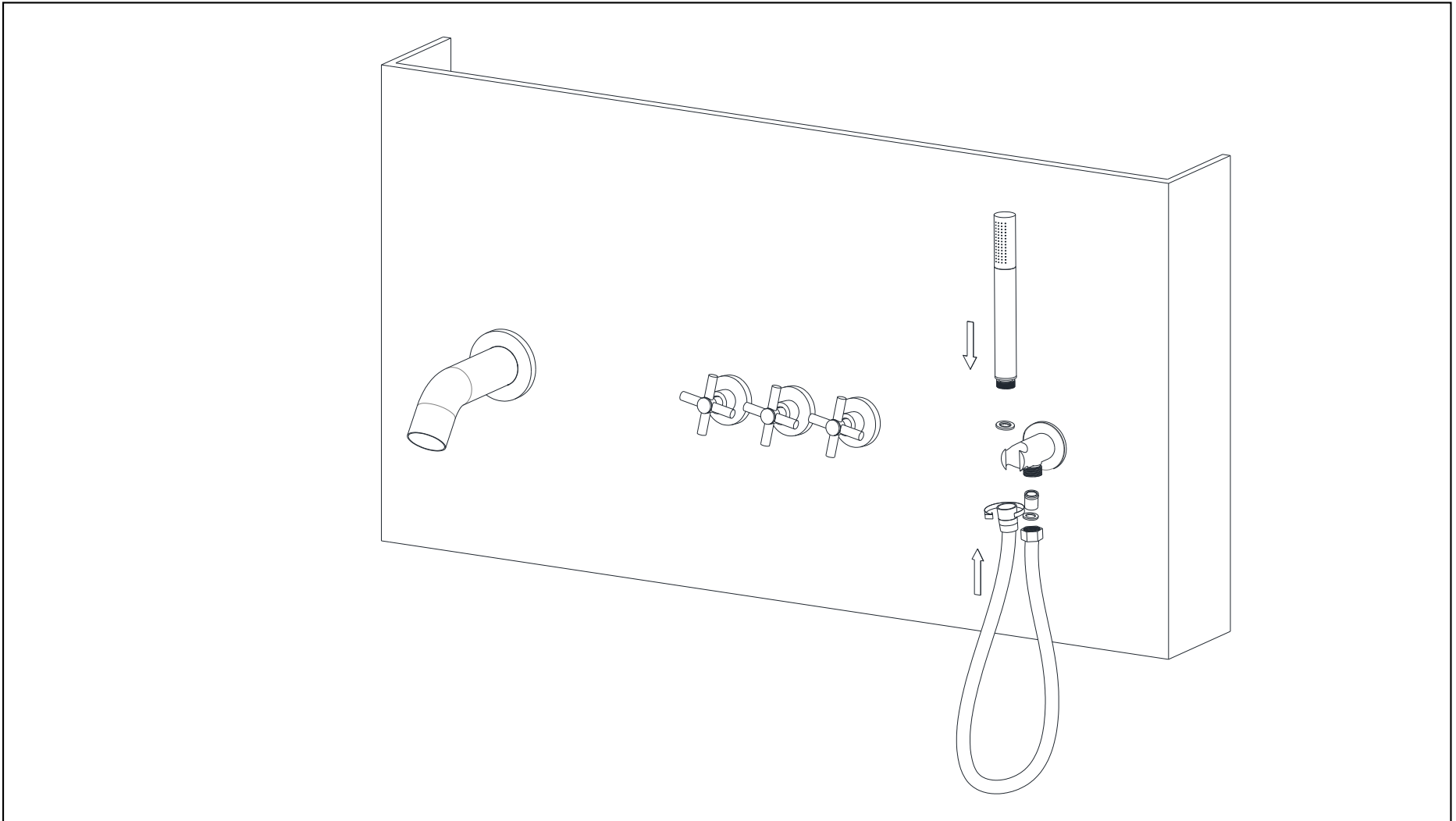
7.2 Attach the flange to the hand shower holder.



7.3 Screw the hand shower holder into the pipe elbow inside the wall.



7.4 Connect the hand shower to the elbow with flexible hose.



8. INSPECTION

8.1 Turn on hot and cold water supply and check all connection for ensuring no leaking anywhere.

9. FUNCTION INSPECTION

9.1 Turn on the hot or cold knob respectively, the water outflow from the hand shower in turn.

9.2 Switch the diverter Knob, the water will rush from the tub spout.

INSTALLATION FINISHED

CLEARNING RECOMMENDATION FOR SUMERAIN PRODUCTS

Modern lavatory faucets, kitchen faucets, and showers are built using a wide variety of materials to cater to the market's demands for design and functionality. To avoid damage and potential returns, adhering to specific cleaning guidelines is crucial.

Cleaning Materials for faucets & showers

When cleaning faucets and showers, it is important to consider the following professional terms:

- Acidic cleaning agents are essential for lime removal.
- Ensure to use only cleaning agents that are specifically designed for this particular application.
- Avoid using cleaning agents containing hydrochloric, formic, phosphoric, or acetic acid, as they can cause significant damage.
- Avoid mixing different cleaning agents, as this can cause harmful chemical reactions.
- Avoid using abrasive cleaning agents or tools, including unsuitable cleaning powders, sponge pads, or microfiber cloths that could damage the surface.

Cleaning instructions for faucets & showers

Please follow the cleaning material manufacturer's instructions. In addition, pay attention to the following points:

- Clean faucets and showers regularly as needed to maintain their optimal function and appearance.
- Apply the recommended amount of cleaning product for the specified duration. Be sure not to leave the cleaner on the faucets longer than necessary to avoid potential damage.
- Regular cleaning can help prevent calcification. If you notice scale deposits on the faucet surface or spout, use a commercial descaler such as Lime-Away® or CLR®.
- In case of rust formation due to hard water conditions, gently abrade the affected area with aluminum foil soaked in water until the surface is smooth. Subsequently, apply a modest amount of chrome polish or a suitable product like automotive wax (for instance, Meguiar's®, Turtle Wax®) to buff the surface.
- Solid stainless steel faucets and spouts, especially waterfall spouts, typically lack a protective coating. Although stainless steel is naturally resistant to tarnishing, it can oxidize over time and react to its environment. Therefore, it's crucial to keep stainless fixtures clean and dry. Use a cleaner specifically designed for stainless steel, such as Weiman® or CLR®.
- When using a spray cleaner, it is recommended that you first apply it to a soft cloth or sponge rather than spraying it directly onto the faucet. This method helps prevent water droplets from entering the faucet opening and causing potential damage.
- After cleaning, thoroughly rinse with clean water to remove any residue from the cleaner.

Important

Residues from liquid soap, shampoo, and shower gel can also contribute to damage. Therefore, it's crucial to thoroughly rinse these substances off with clean water after use.



Note: if the surface is already damaged, the application of cleaning materials might exacerbate the damage.

Components with damaged surfaces must be replaced or injury could result.

Note that any damage resulting from improper treatment is not covered by the warranty.

SUMERAIN®

SUMERAIN INTERNATIONAL GROUP INC

Address: 1226 NORTH KING ST NUM 522
WILMINGTON, DE 19801
United States

Tel: +1(866)203-0866

Web: <http://www.sumerain.com>

E-mail: supports@sumerain.us

HONGKONG SUMERAIN SANITARY INDUSTRY CO., LIMITED

Address: FLAT/RM 3B 3/F BANK TOWER
NOS.351&353 KING'S ROAD
NORTH POINT
HK

Tel: +86-750-2731579

E-mail: supports@sumerain.com

SUMERAIN EUROPE SUPPORT

Address: Flottwellstr. 15
10785 Berlin,
Deutschland

Tel: +49 (0)30/23975898

E-mail: de@sumerain.com