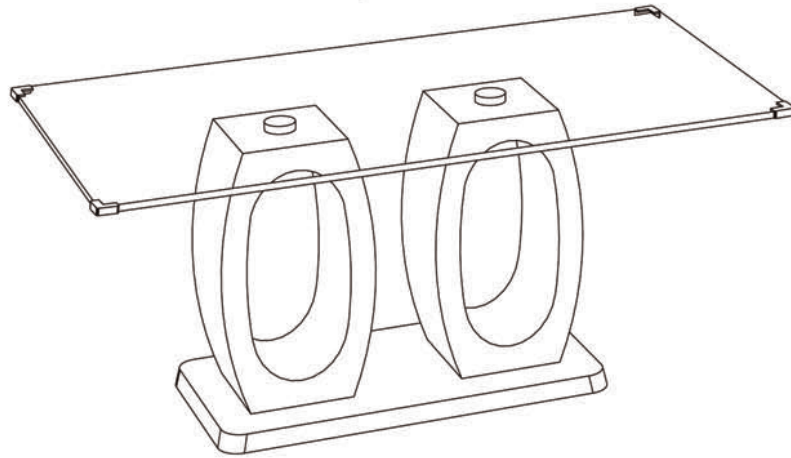


## Assembly Instructions



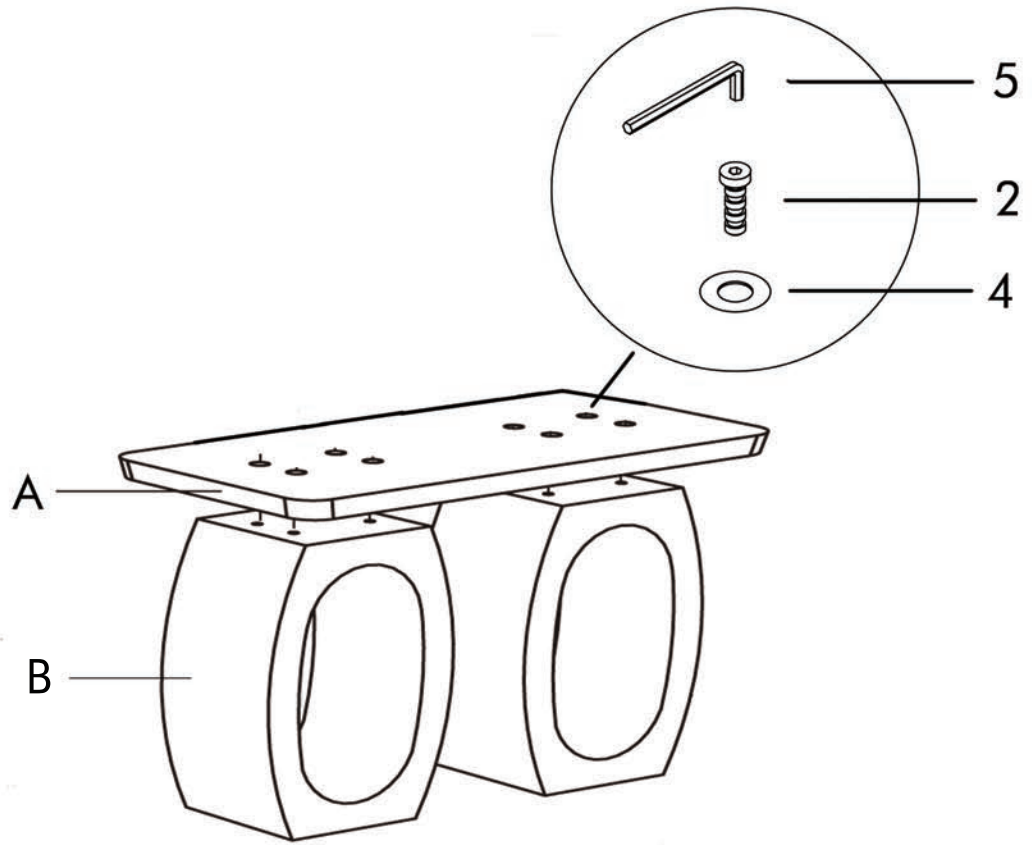
Please install the products on carpet or soft place.

### Parts list

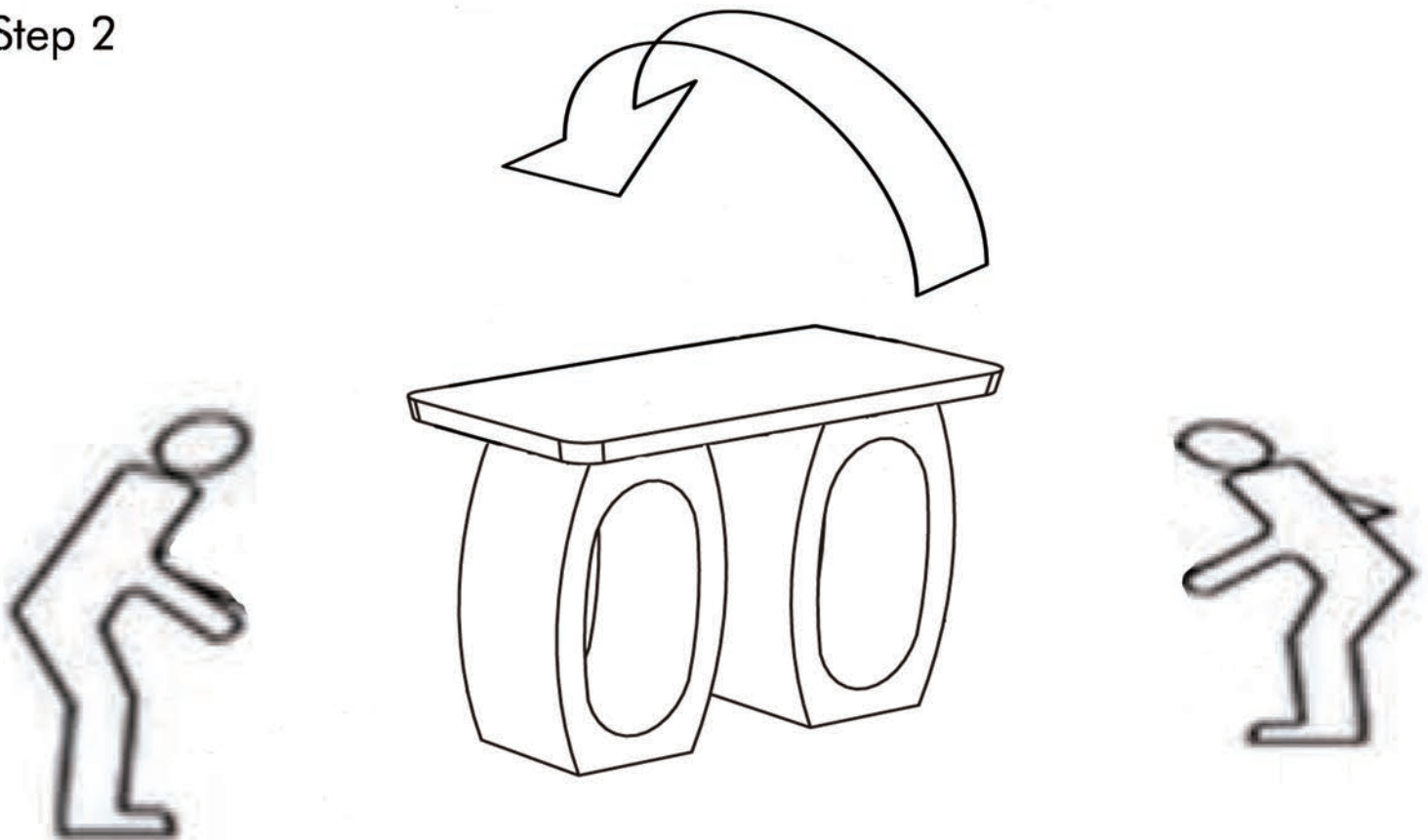
### Hardware List

| No. | Sketch | Description                    | Qty | No. | Sketch | Description                     | Qty |
|-----|--------|--------------------------------|-----|-----|--------|---------------------------------|-----|
| A   |        | Frame                          | 1   | 1   |        | Pulling Rod<br>M8*70            | 2   |
|     |        |                                |     | 2   |        | Screw<br>M8*45                  | 8   |
| B   |        | Leg                            | 2   | 3   |        | Plastic Protection<br>Corner    | 4   |
|     |        |                                |     | 4   |        | Gasket M8*18                    | 10  |
| C   |        | Tempered<br>Glass Table<br>Top | 1   | 5   |        | Plastic<br>Protection<br>Corner | 1   |
|     |        |                                |     | 6   |        | Box Spanner                     | 1   |
|     |        |                                |     | 7   |        | Nut M8                          | 2   |

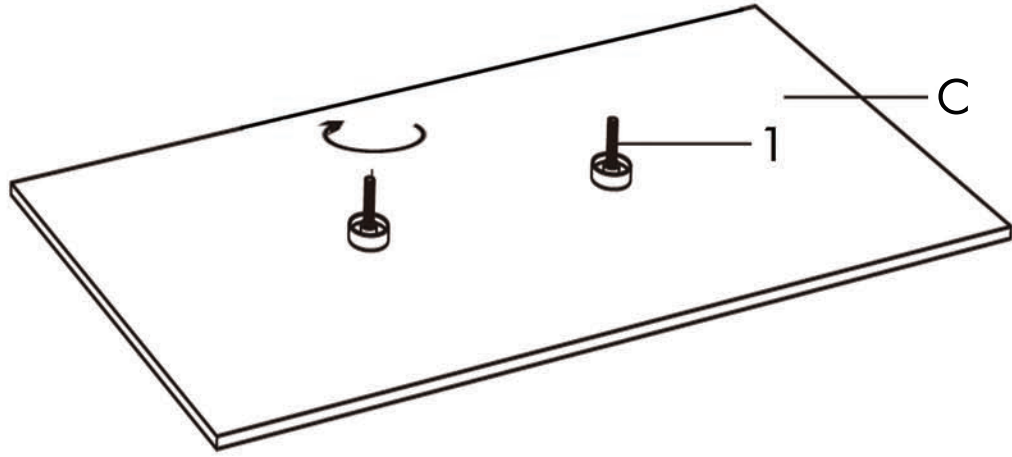
Step 1



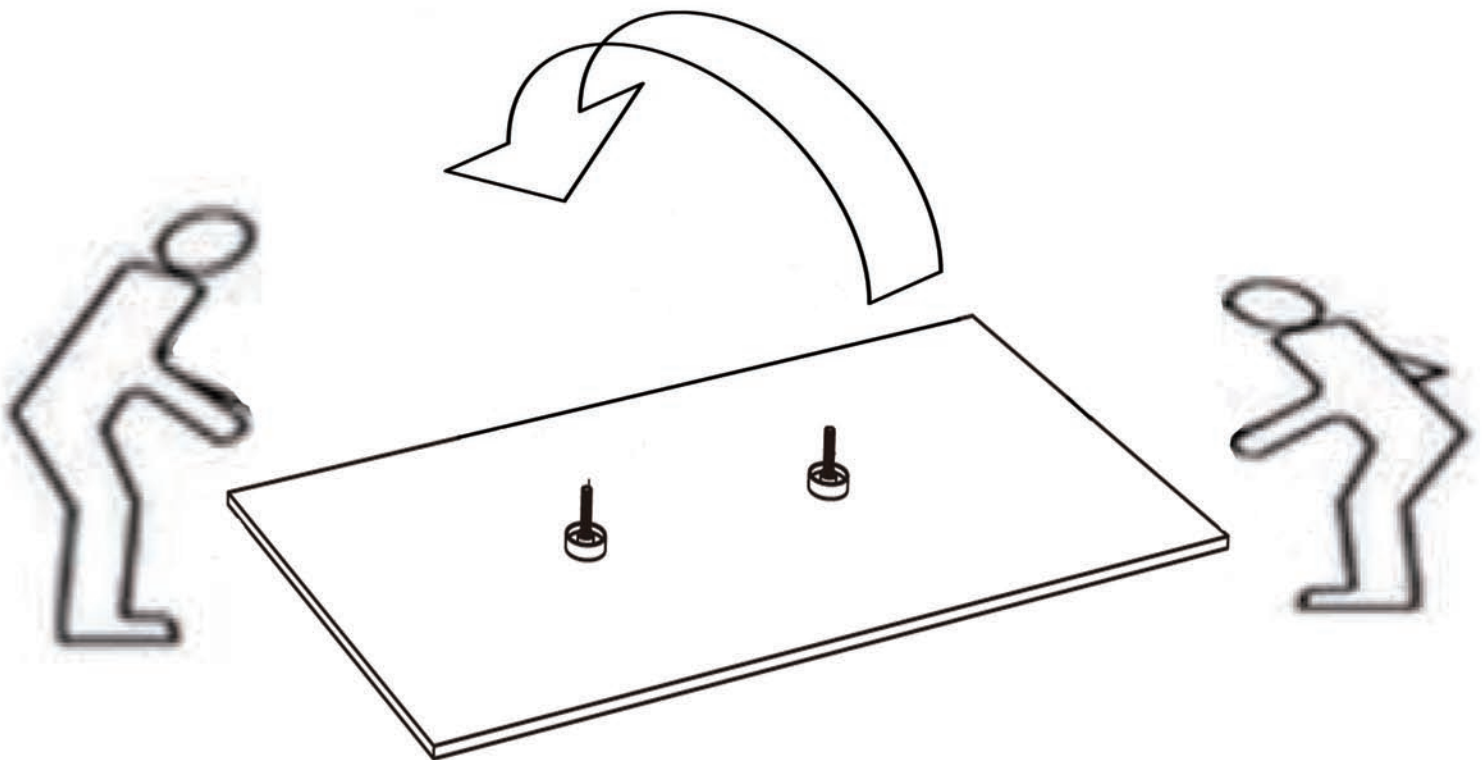
Step 2



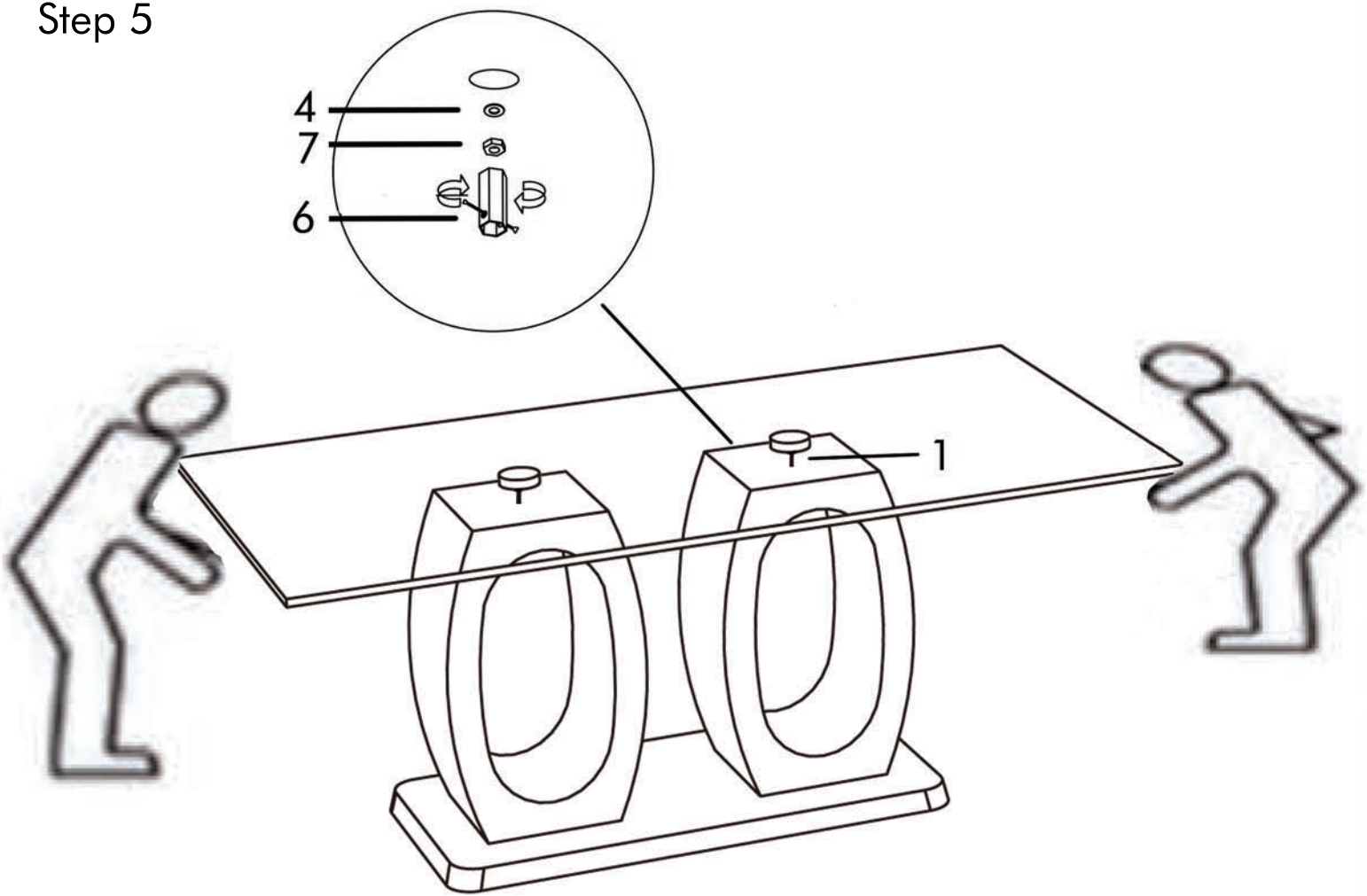
Step 3



Step 4



## Step 5



## Step 6

