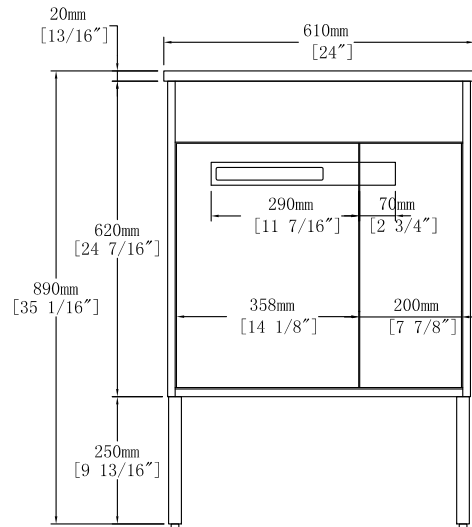
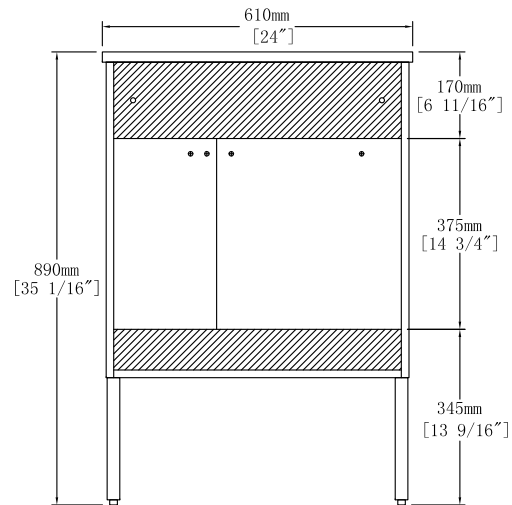


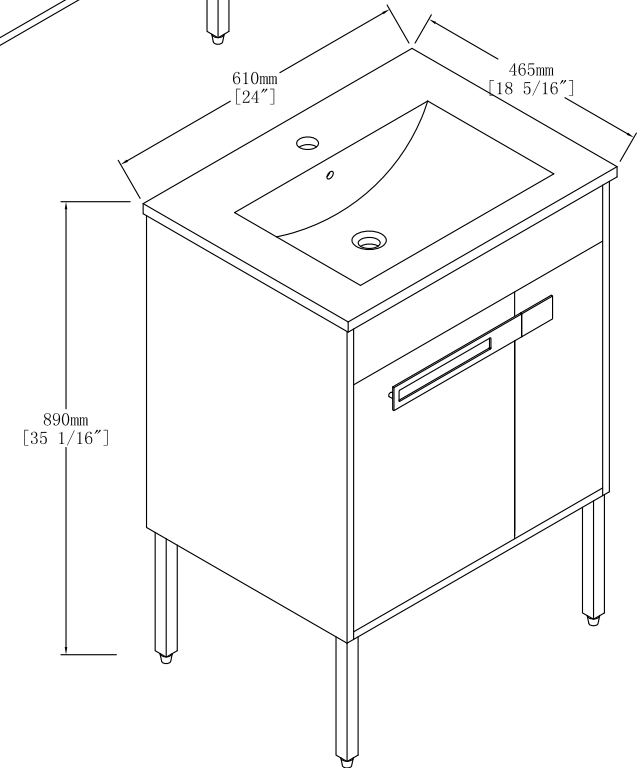
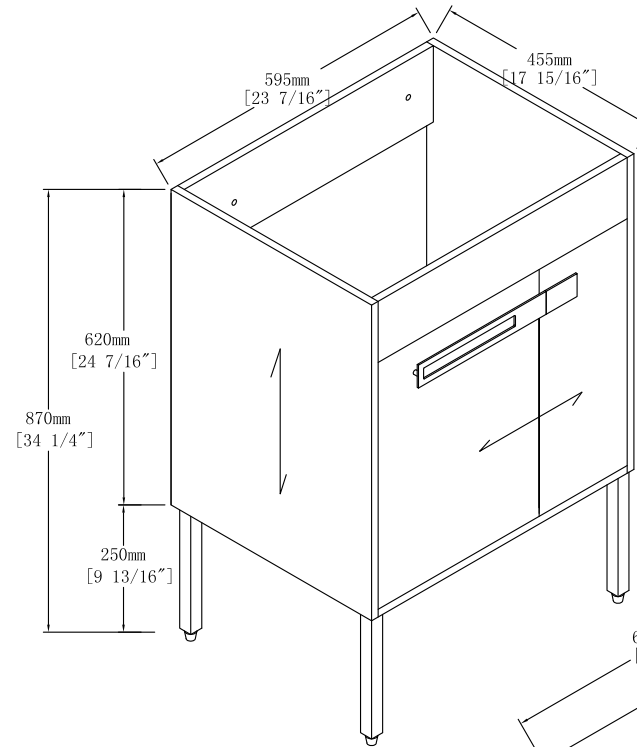
Top View



Front View



Back View



| | |
|----------|-----------|
| Item NO. | BV B00324 |
| Projece | |

| | |
|---------|-----------|
| Version | V1 |
| Date | 2021-12-6 |