



# Trellis

## Assembly Instruction Manual

Please read instructions thoroughly before beginning assembly.

Check boxes carefully for contents listed. Some parts are packaged inside of others.

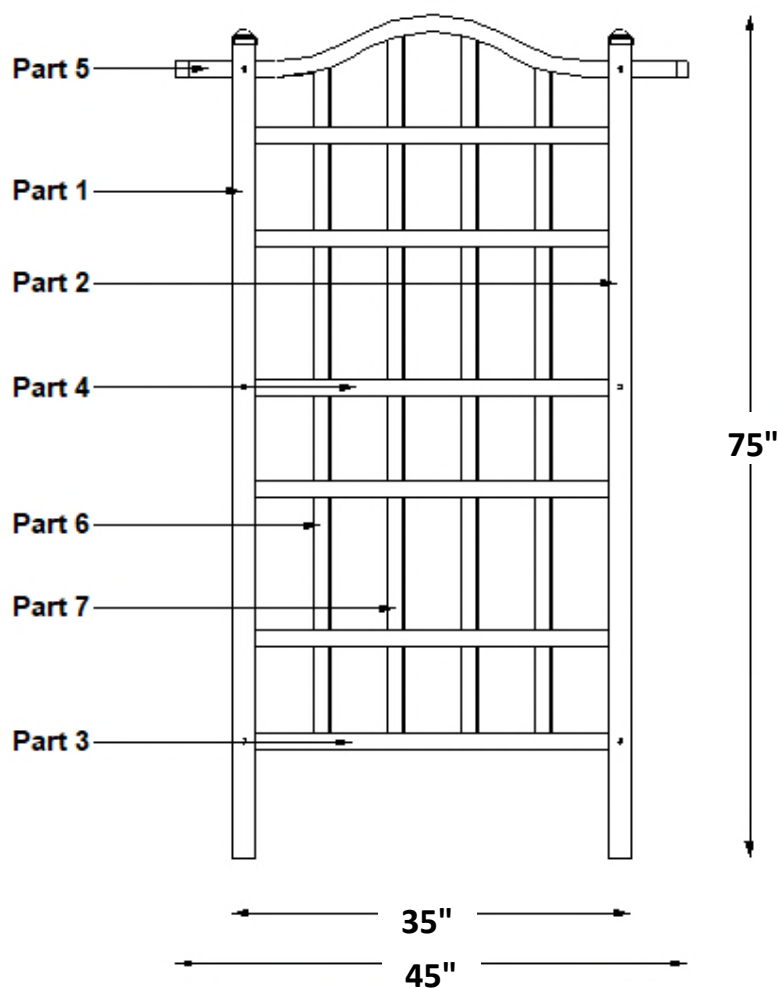
Assemble on a clean, flat, non-abrasive surface to prevent scratching.

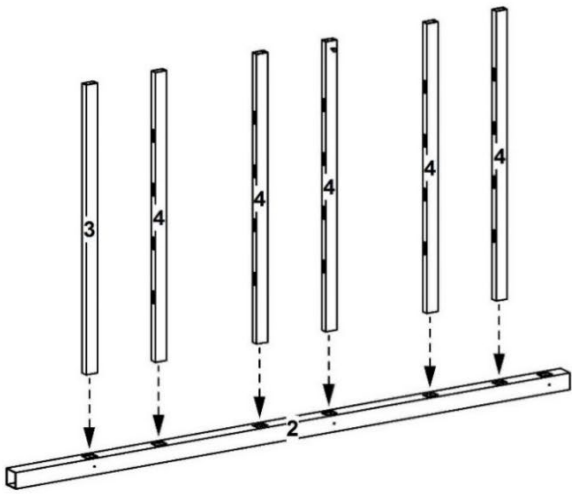
In the event of missing or damaged parts please call or email our customer service department

### Tools Required

- Battery or Electric Drill (#2 phillips bit)
- Tape Measure
- Hammer or Rubber Mallet (Recommended)
- Shovel or Post Hole Digger (Recommended)
- PVC, Super or Crazy Glue

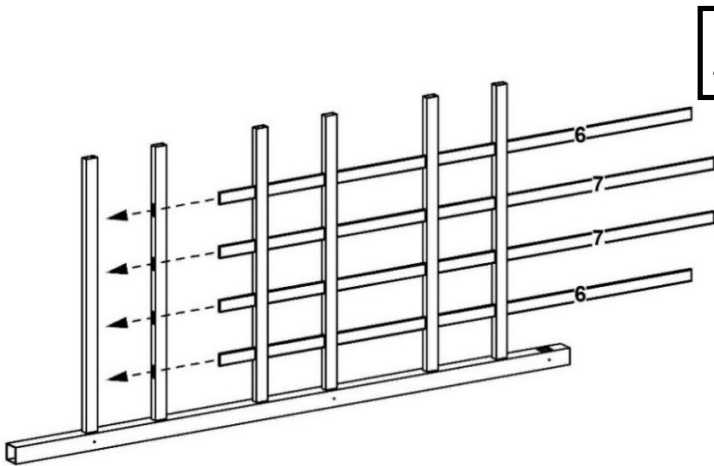
Part #	Description	Dimension	Box #	Qty
1	Left Post	2" sq. x 74"	1	1
2	Right Post	2" sq. x 74"	1	1
3	Top/Bottom Cross Rail	$\frac{7}{8}$ " x 1 $\frac{1}{2}$ " x 35"	1	1
4	Center Cross Rail	$\frac{7}{8}$ " x 1 $\frac{1}{2}$ " x 35"	1	5
5	Bent Top	$\frac{7}{8}$ " x 1 $\frac{1}{2}$ " x 45"	1	1
6	Vertical Slat	$\frac{1}{4}$ " x 1 $\frac{1}{2}$ " x 63"	1	2
	Vertical Slat	$\frac{1}{4}$ " x 1 $\frac{1}{2}$ " x 66"	1	2
7	Ground Anchor	14"	1	2
8	Hardware Bag (Includes):		1	1
	▪ Post Cap	2" square		2
	▪ End Cap	$\frac{7}{8}$ " x 1 $\frac{1}{2}$ "		2
	▪ Painted Screw	1 $\frac{1}{4}$ "		6
	▪ Painted Screw	#8 - 1"		4





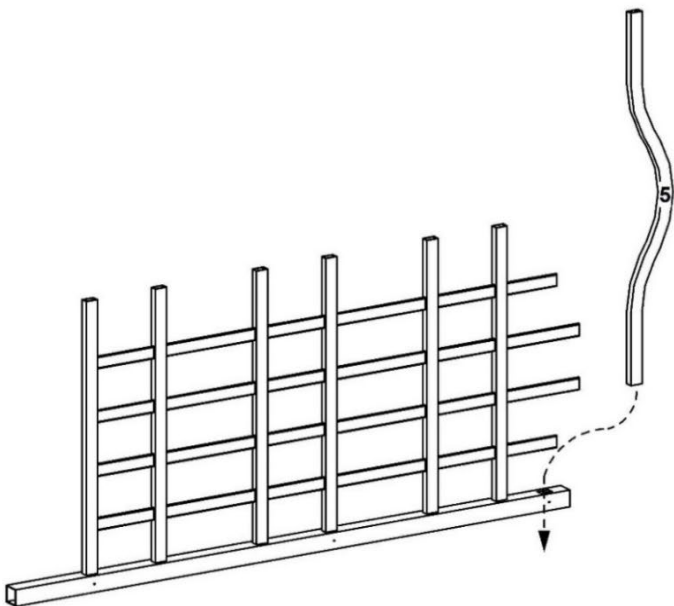
**1**

Lay out one right post (part 2). Starting at bottom, insert one bottom cross rail (part 3) and five center cross rails (part 4).



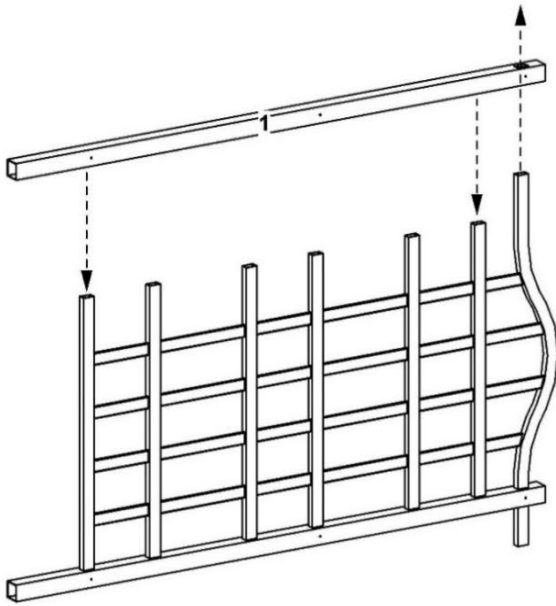
**2**

Insert two 66" vertical slats (part 7) through outer holes of center cross rails and into bottom cross rail. Insert two 63" vertical slats (part 6) through inner holes of center cross rails and into bottom cross rail.



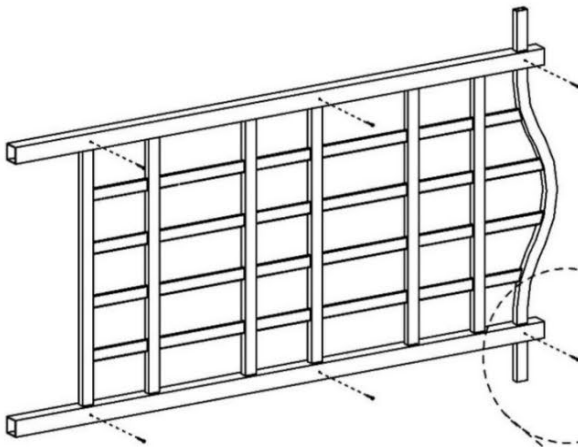
**3**

Insert top bent rail (part 5) through right post, inserting vertical slats into top bent rail.



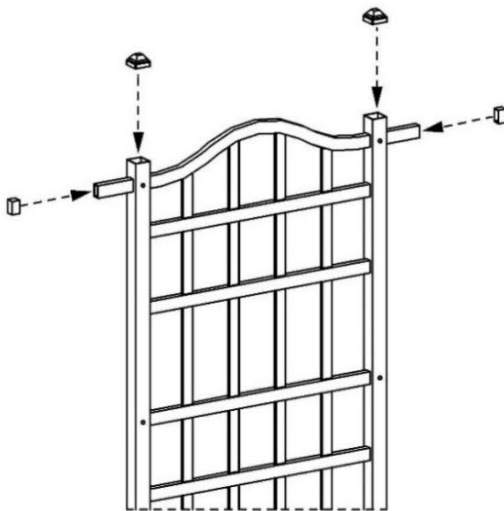
**4**

Insert bent top rail through left post (part 1), inserting center cross rails and bottom cross rail into left post.



**5**

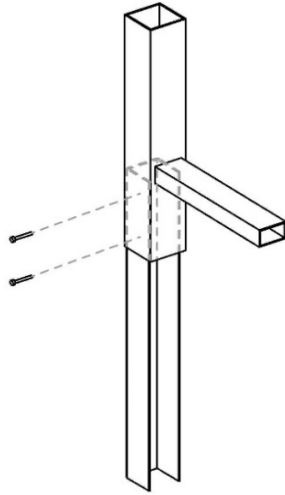
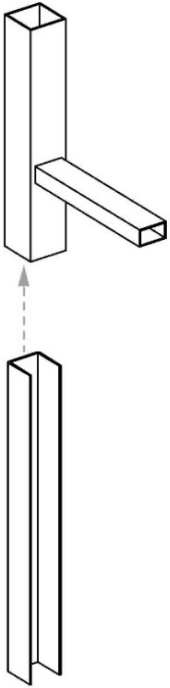
Using 1/4" screws, screw together trellis. Be sure that all parts are fully inserted into posts before securing.



**6**

Using PVC, super or crazy glue; glue post caps onto posts.

# Ground Anchor Installation



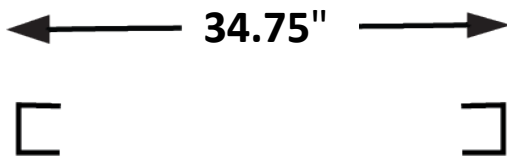
## Option 1 (soft ground)

Slide one ground anchor (part 12) into bottom of each post until it meets bottom cross rail. Using two 1" self-tapping screws per post, screw the post to ground anchor using the pilot holes for guides. Using ground anchor installation layout drawing, dig holes approximately 12" deep. Set trellis in holes and level. Back fill with soil removed from holes.

## Option 2 (permanent installation)

***NOTE: There is very little room for error with this installation method.***

## Ground Anchor Layout Drawing



Using ground anchor installation layout drawing, dig holes 12" deep according to dimensions. Fill with cement and place ground anchors in wet cement. Be sure that ground anchors are straight and in accordance with dimension of ground anchor installation layout drawing. Allow cement to dry.

**Slide trellis over ground anchors. Using two 1" self-tapping screws, fasten post to ground anchor.**

# *Warranty Statement*

## **20 Year Guarantee**

*Please call manufacturer direct with questions concerning missing or defective parts*

Our product are warranted to be free from manufacturing defects resulting in delaminating, peeling, flaking, corroding, cracking, crazing, or extreme amounts of fading or bleaching causing the PVC to change to its natural color for a period of 20 years from the date of purchase.

*Normal weathering is defined as exposure to sunlight and extremes of weather and atmosphere which will cause any colored surface to gradually fade.*

### **CONDITIONS NOT COVERED BY THIS WARRANTY:**

- A. Physical abuse, misuse, neglect, or improper storage.
- B. Improper installation or installation not in strict adherence to the instructions written by us
- C. This warranty does not apply if materials are painted, varnished, or coated with any substance.
- D. We are not responsible for damages to product during shipping.
- E. Damage attributable to atmospheric pollutants, hail, lightning, hurricane, tornado, wind borne objects, earthquake, fire, mildew, casualty, act of God, building or ground settlement, or subjection to stress or weight.

### **CLAIMS AND REMEDIES:**

If a product is determined to have a manufacturing defect which is covered by this warranty, we will replace the material containing the defect (labor not included) F.O.B from the point of manufacture. We will not be responsible for any cost incurred in the removal or reinstallation of the product.

**Important:** All claims must be sent to us and should describe the defect claim.

We reserve the right to discontinue or change its design and/or color. If the original color or style is not available, we shall have the right to substitute a product designated by us.

We shall not be liable for any incidental, special, or consequential damages arising out of the use of these products.