

H3L

TABLE OF CONTENTS

01	Important Safety Instructions	01	Tools Needed
02	Parts List	04	Assembly
22	Warranty Information		

Thank you so much for choosing our product. If you encounter any questions during use, feel free to contact us. We will try our best to solve it.
Customer Service Line: +1-888-292-2399
Customer Service Email: service7770@outlook.com

IMPORTANT SAFETY INSTRUCTIONS

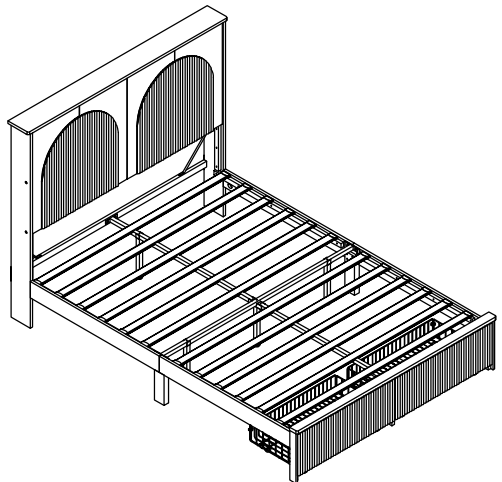
- Check if all the parts are complete before installation.
- Read through the instructions before installing the cabinet.
- Keep the small parts away from children to avoid the risk of swallowing.

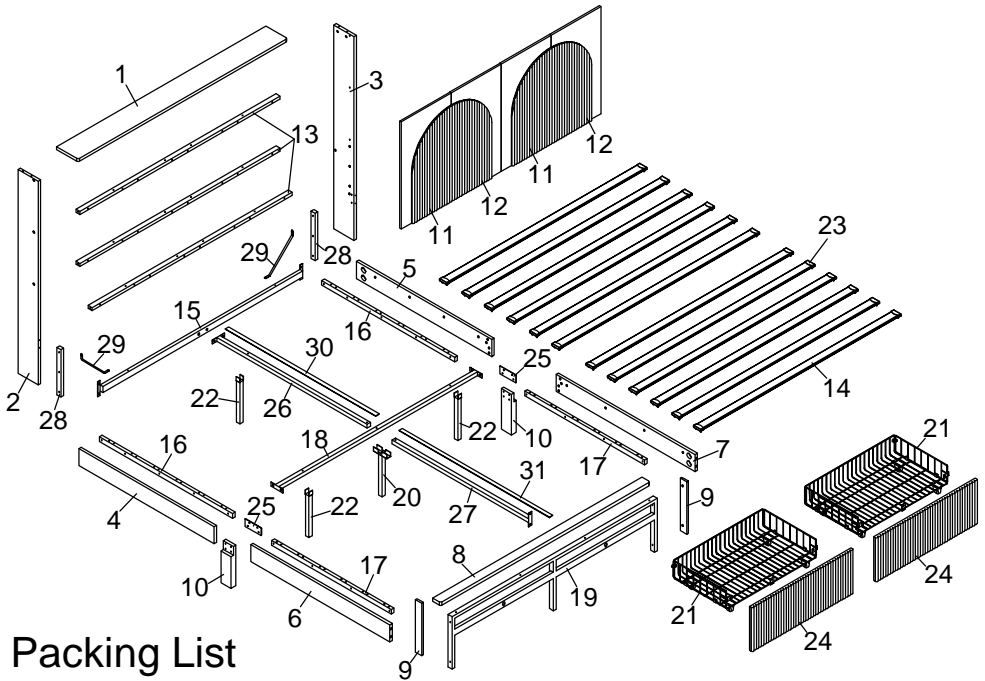
TOOLS NEEDED

Screws Driver -1PC

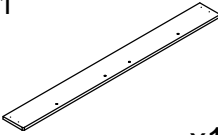

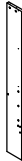
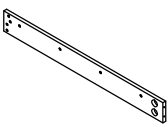
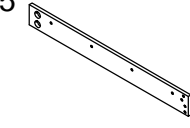
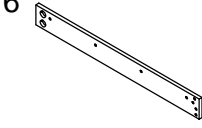
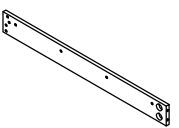
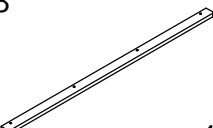


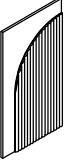
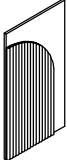
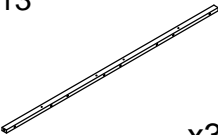
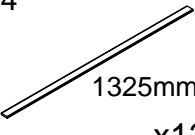
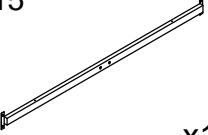
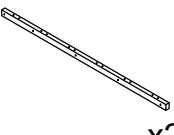


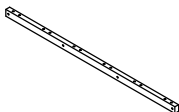
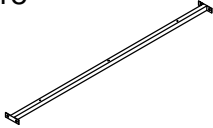
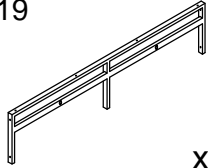
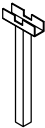
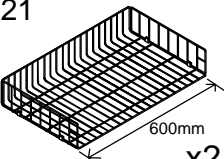

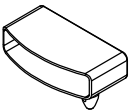
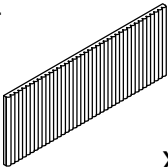
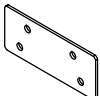
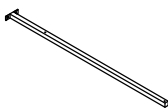
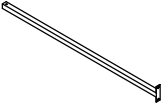


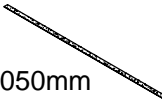
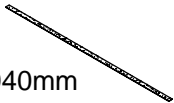
(Not included)

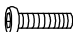


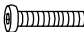
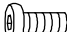

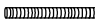
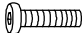


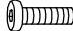
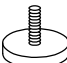
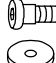







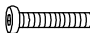

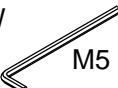




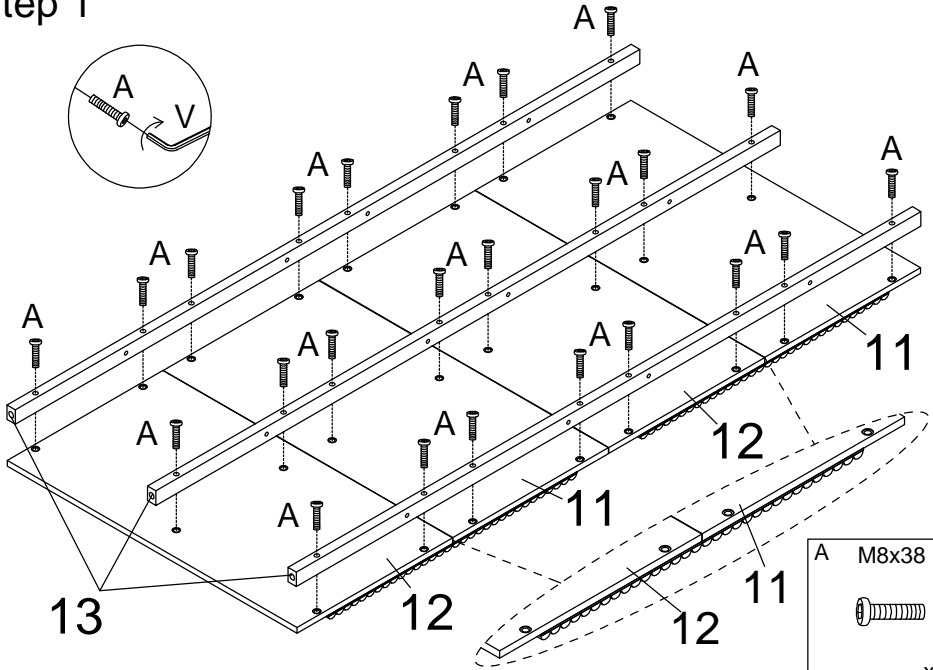
Packing List

1  x1	2  x1	3  x1	4  x1
5  x1	6  x1	7  x1	8  x1
9  x2	10  x2	11  x2	12  x2
13  x3	14  1325mm x12	15  x1	16  x2

17  x2	18  x1	19  x1	20  x1
21  x2	22  x3	23  x24	24  x2
25  x2	26  x1	27  x1	28  x2
29  x2	30  1050mm x1	31  940mm x1	

A M8x38mm  x24	B  x1	C  x6	D M6x48mm  x6	E M6x15mm  x16
F  x4	G M6x75mm  x8	H M6x32mm  x36	I  x8	J  x8
K M6x28mm  x8	L  x4	M  x2	N  x8	O  x4
P  x6	Q  x4	R  x4	S M6x10mm  x10	T  x1
U M8x50mm  x6	V  M4 x1	W  M5 x1		

Step 1

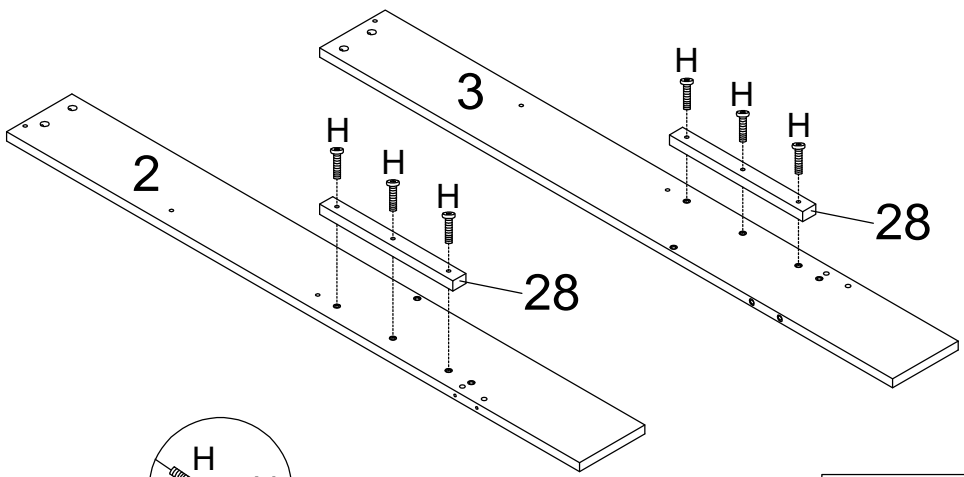


A M8x38



x24

Step 2

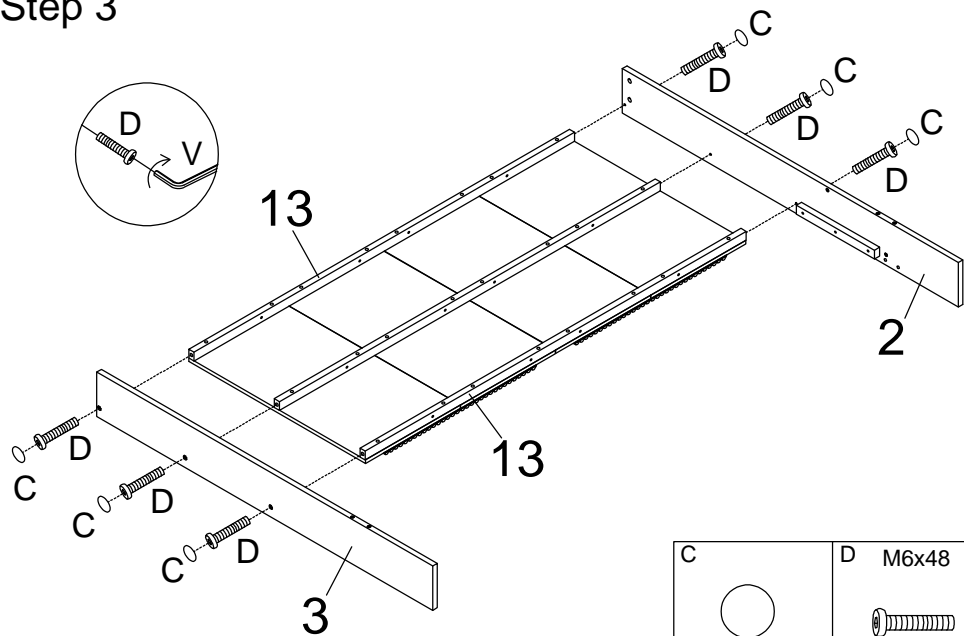


H M6x32



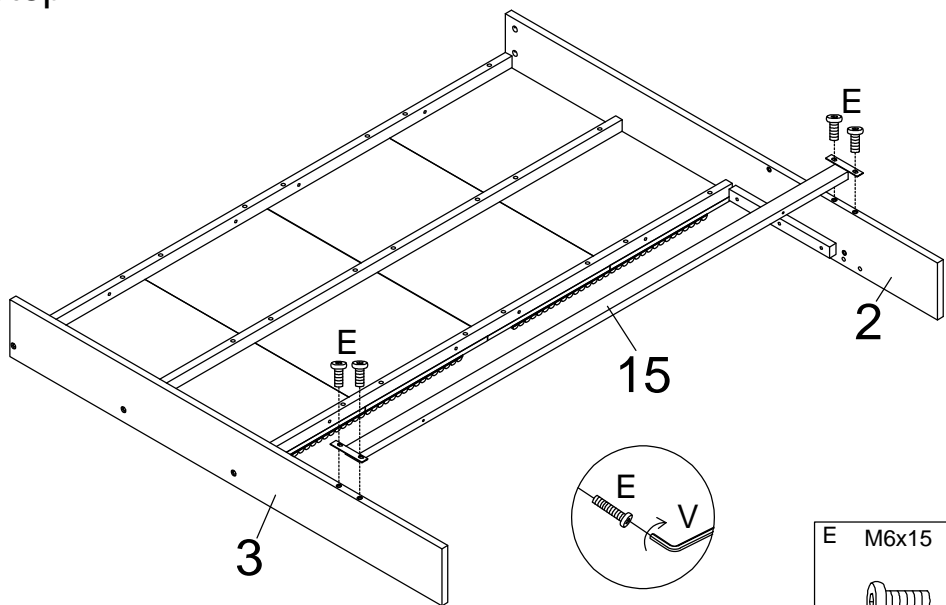
x6

Step 3



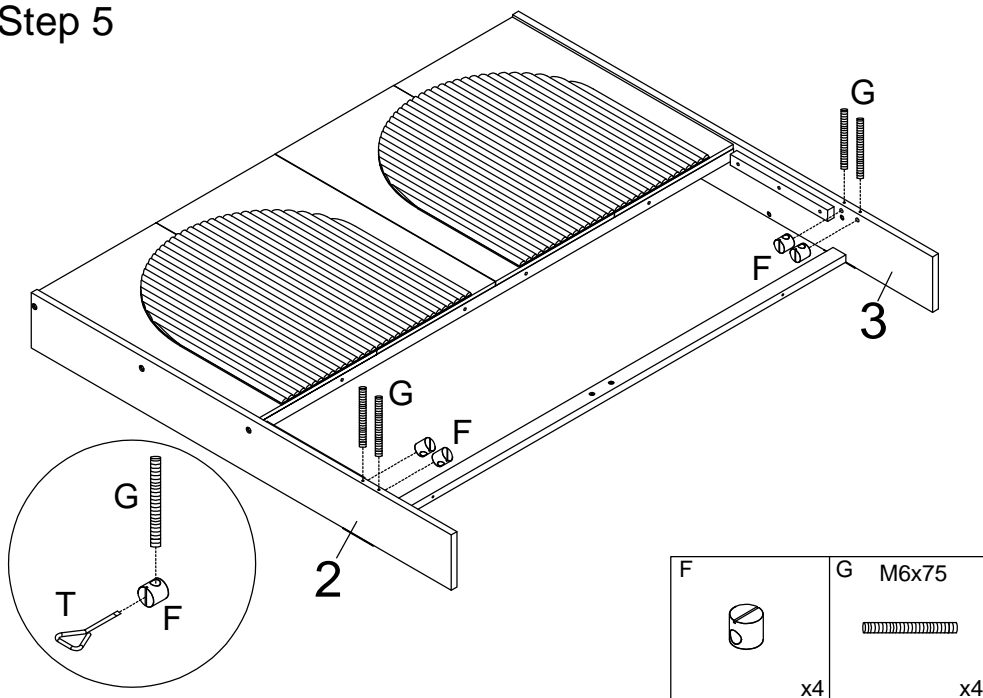
C	D
	M6x48
x6	x6

Step 4

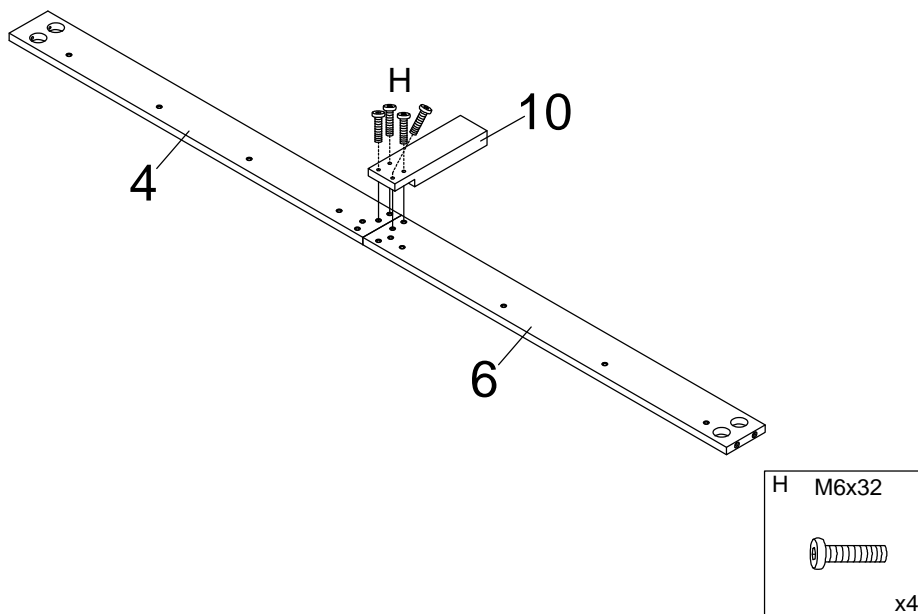


E
M6x15
x4

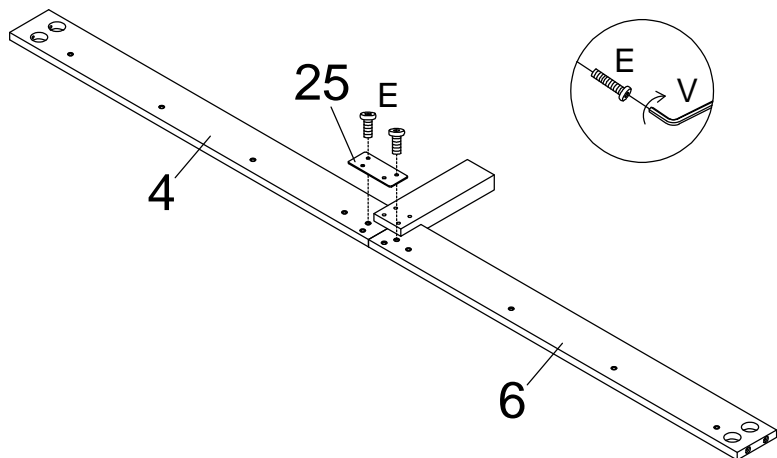
Step 5



Step 6



Step 7

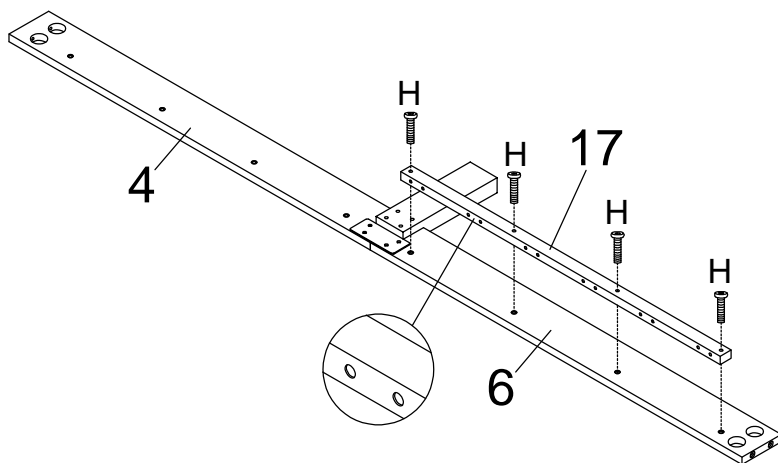


E M6x15



x2

Step 8

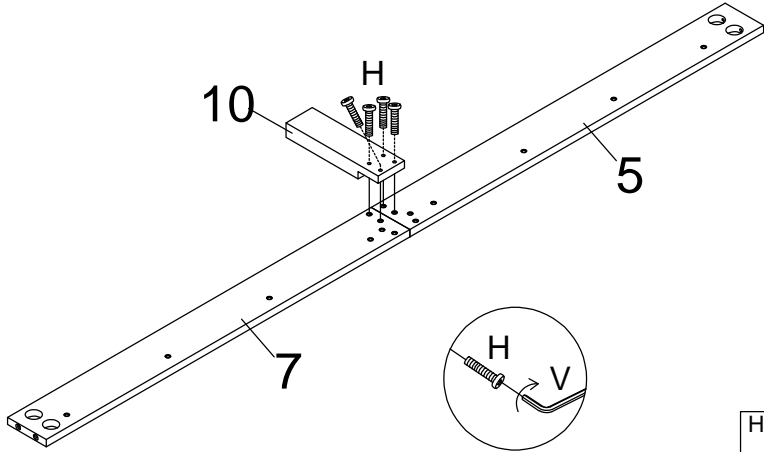


H M6x32



x4

Step 9

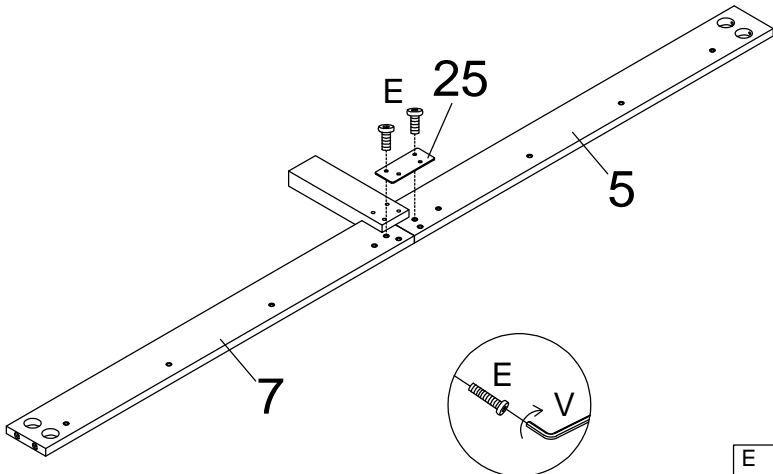


H M6x32



x4

Step 10

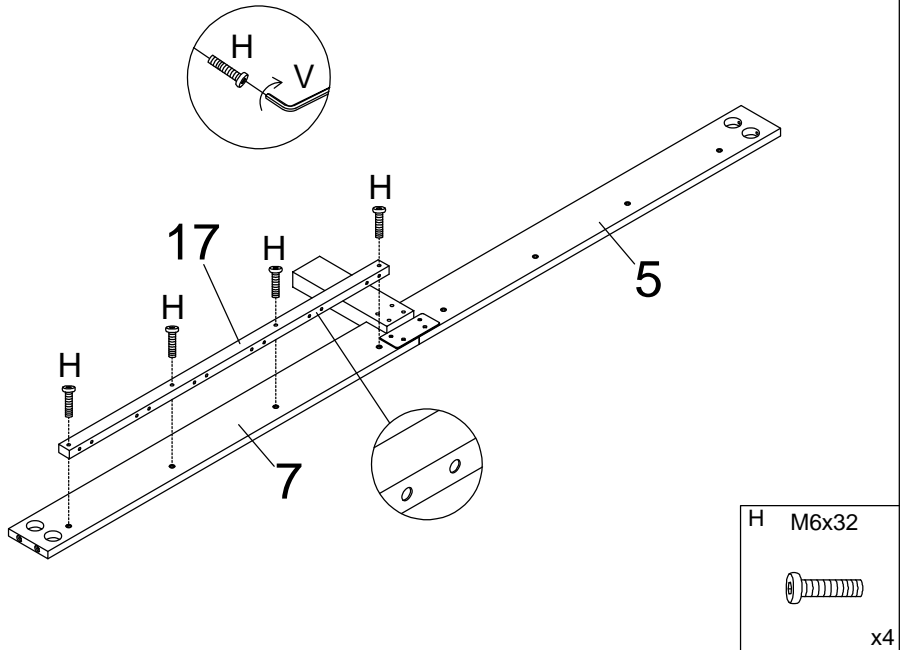


E M6x15

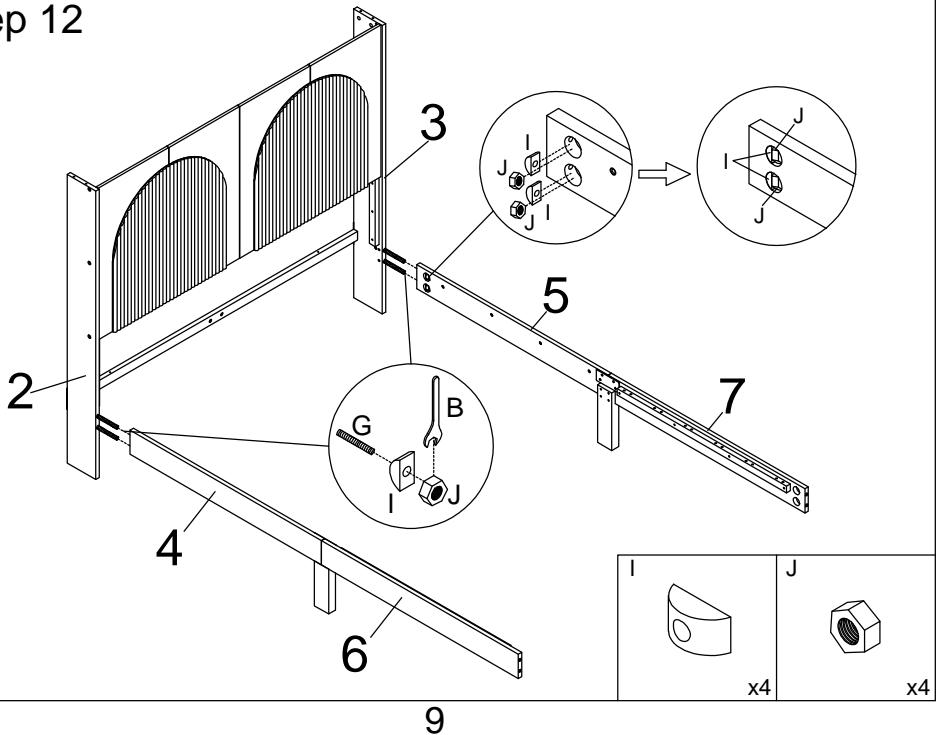


x2

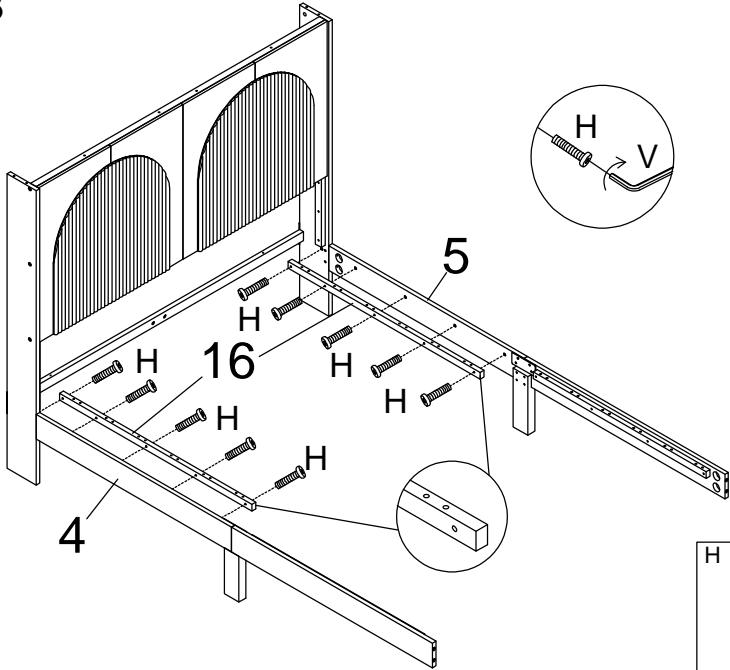
Step 11



Step 12



Step 13

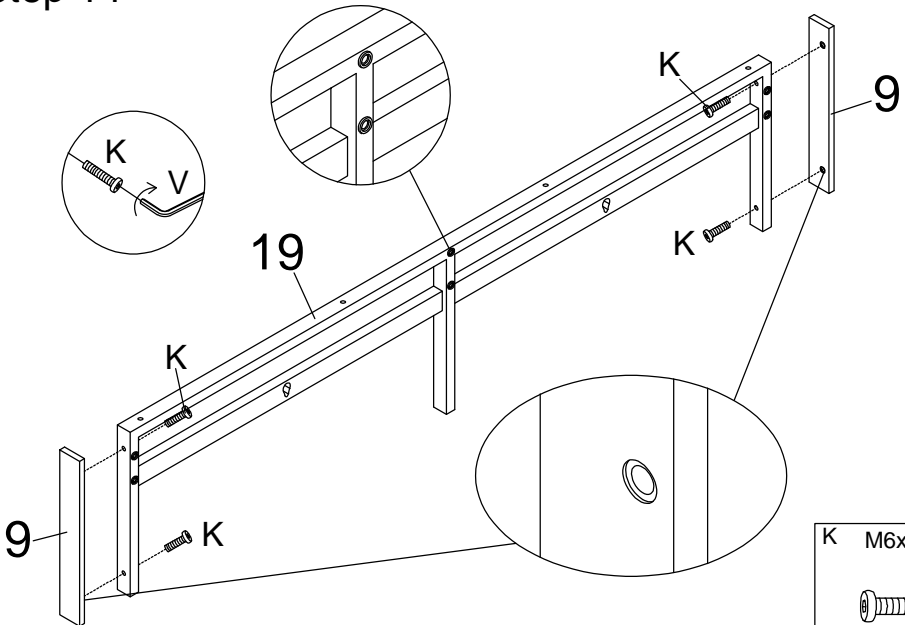


H M6x32



x10

Step 14

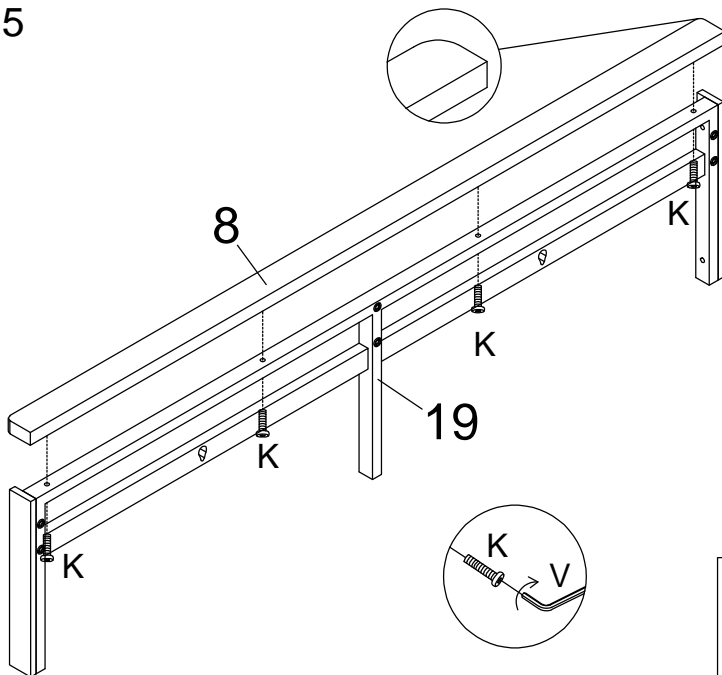


K M6x28



x4

Step 15

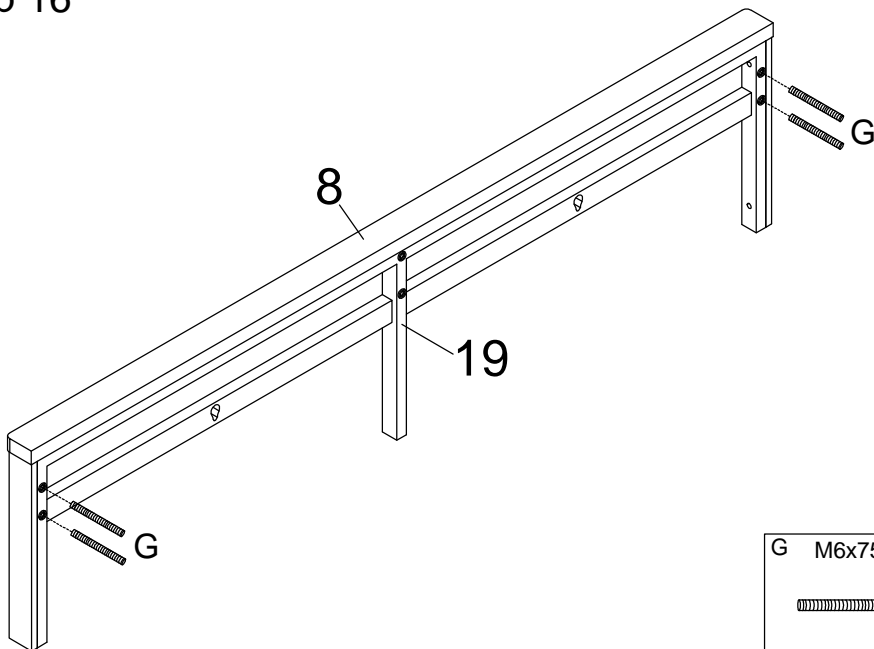


K M6x28

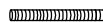


x4

Step 16

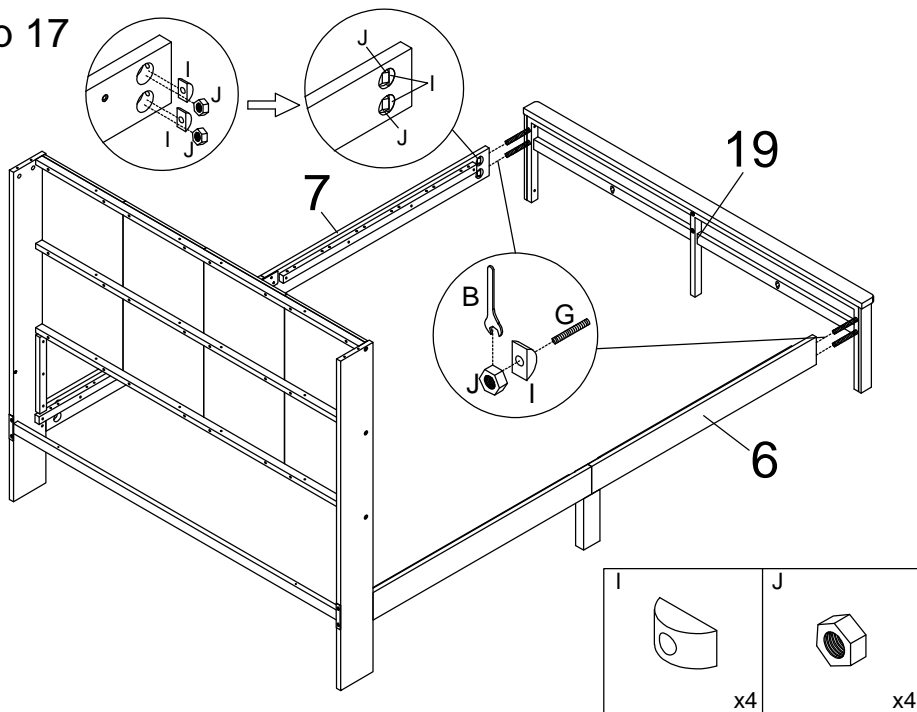


G M6x75

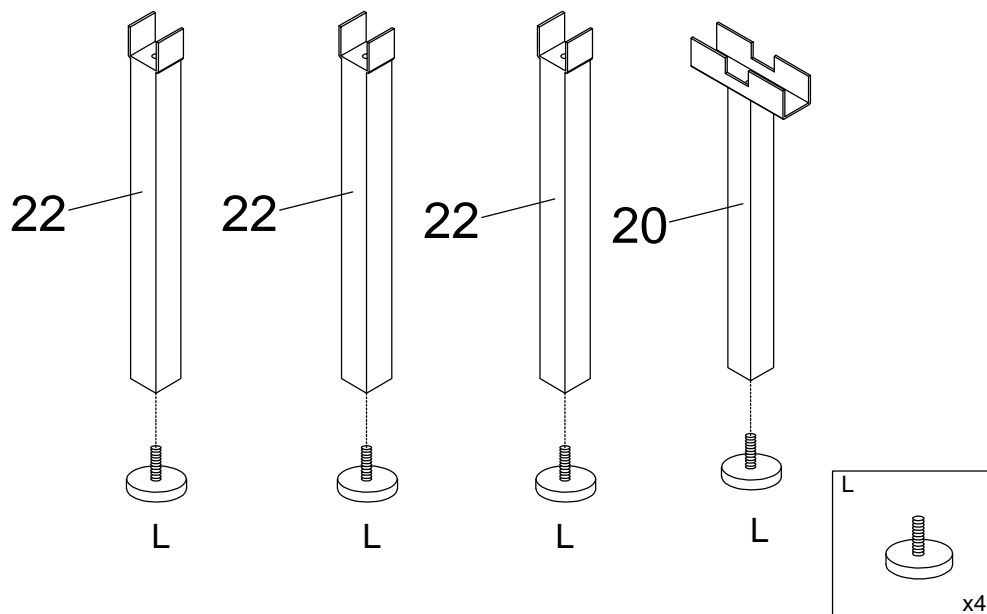


x4

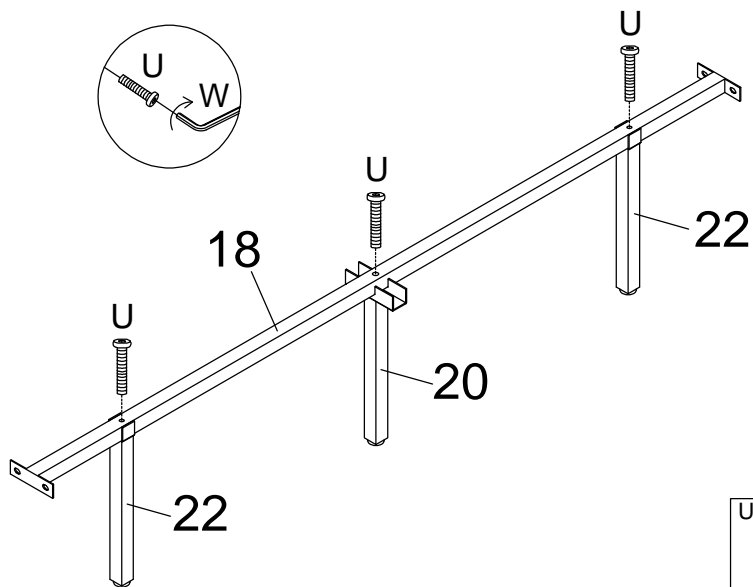
Step 17



Step 18



Step 19

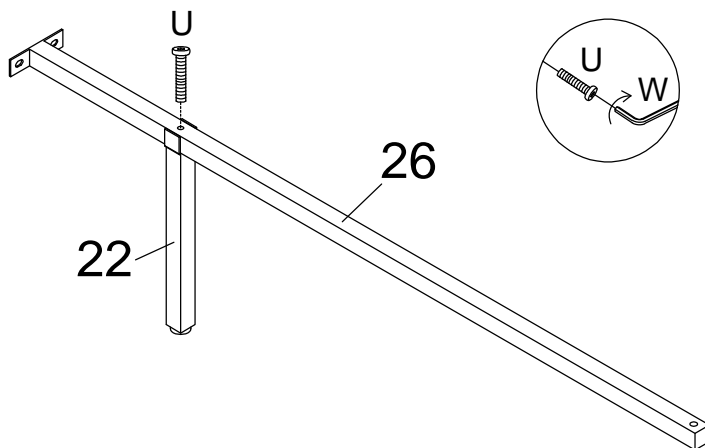


U M8x50



x3

Step 20

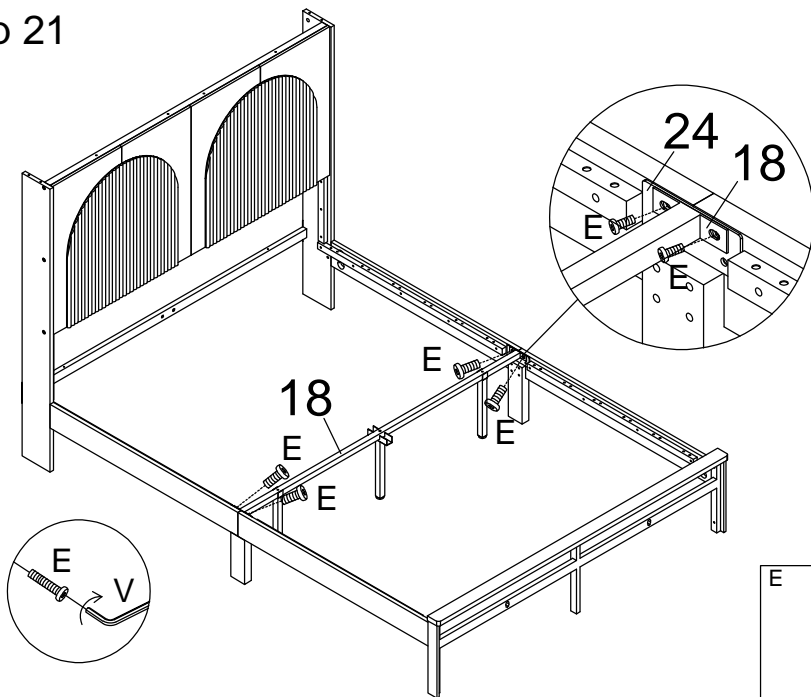


U M8x50



x1

Step 21

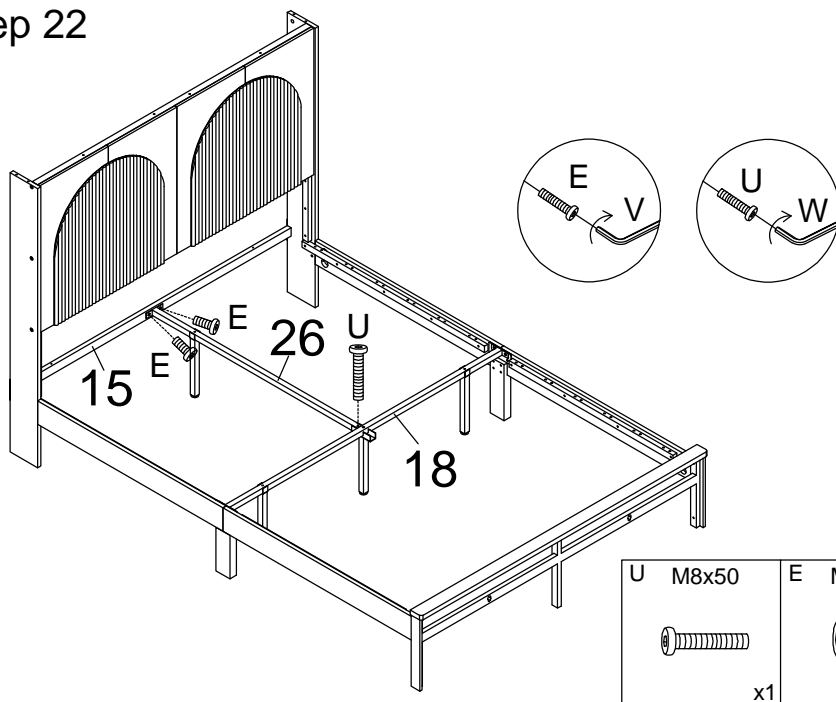


E M6x15



x4

Step 22



U M8x50



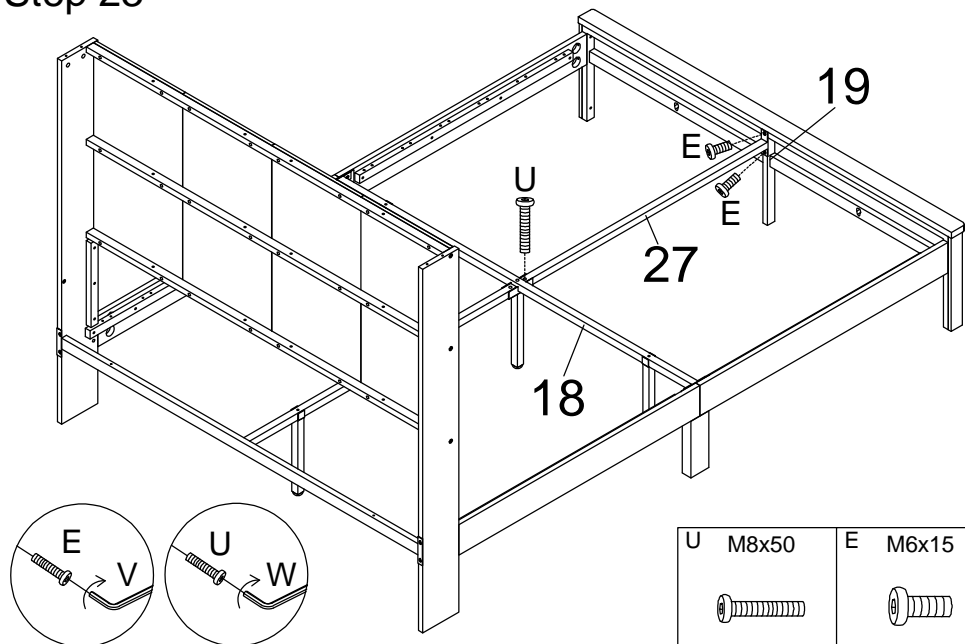
x1

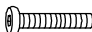
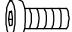
E M6x15



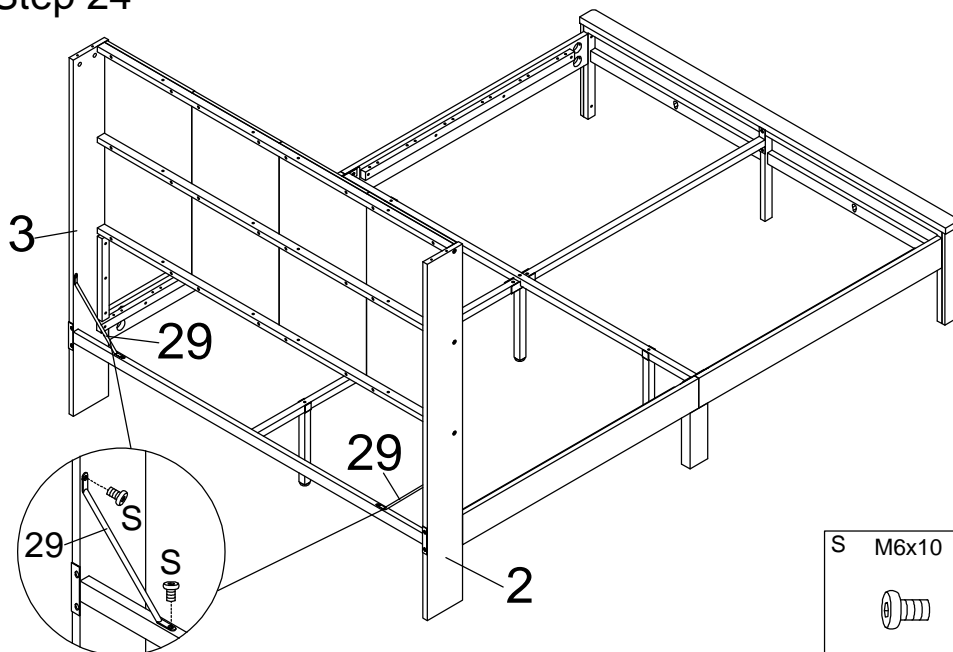
x2


Step 23



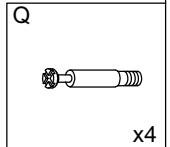
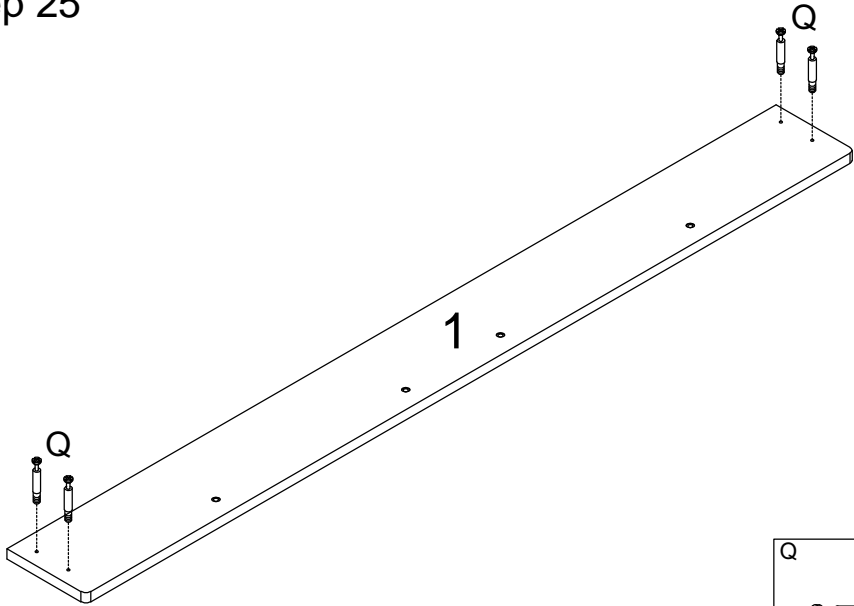
U	M8x50	E	M6x15
			
x1		x2	

Step 24

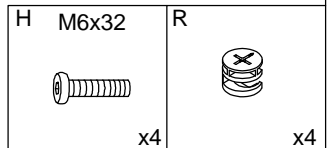
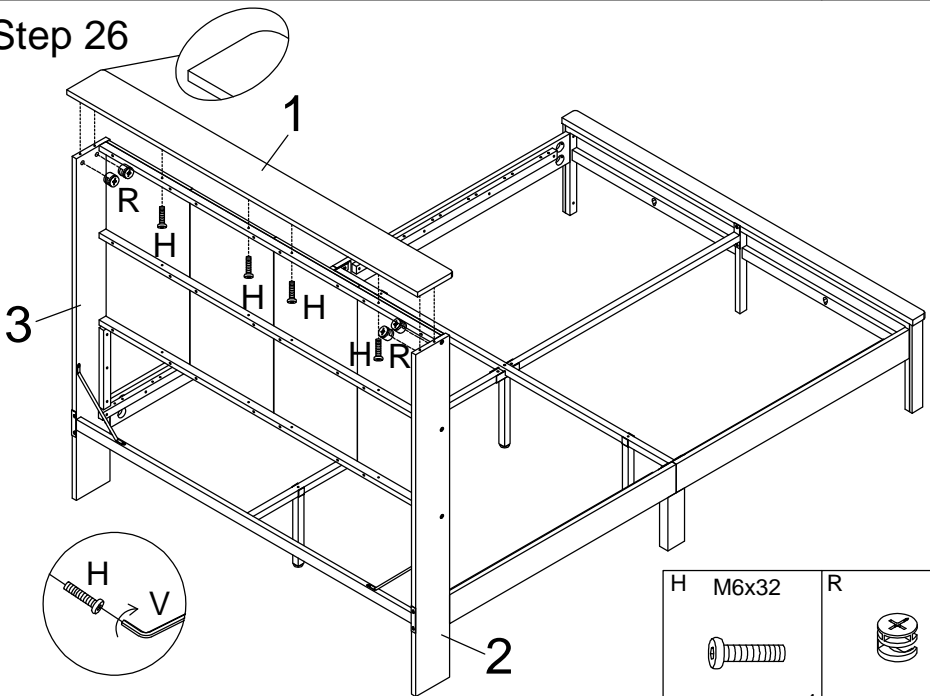


S	M6x10
	
x4	

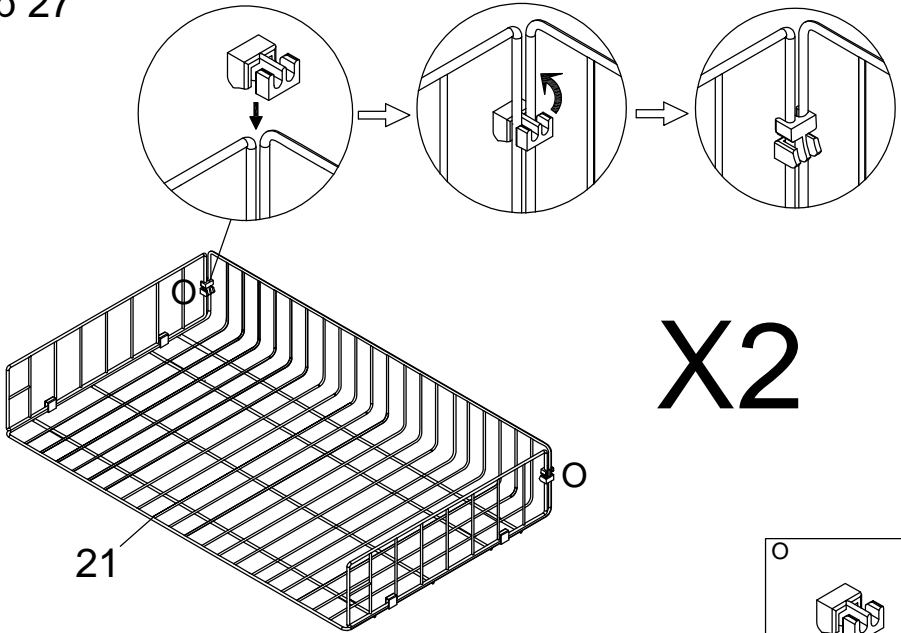
Step 25



Step 26

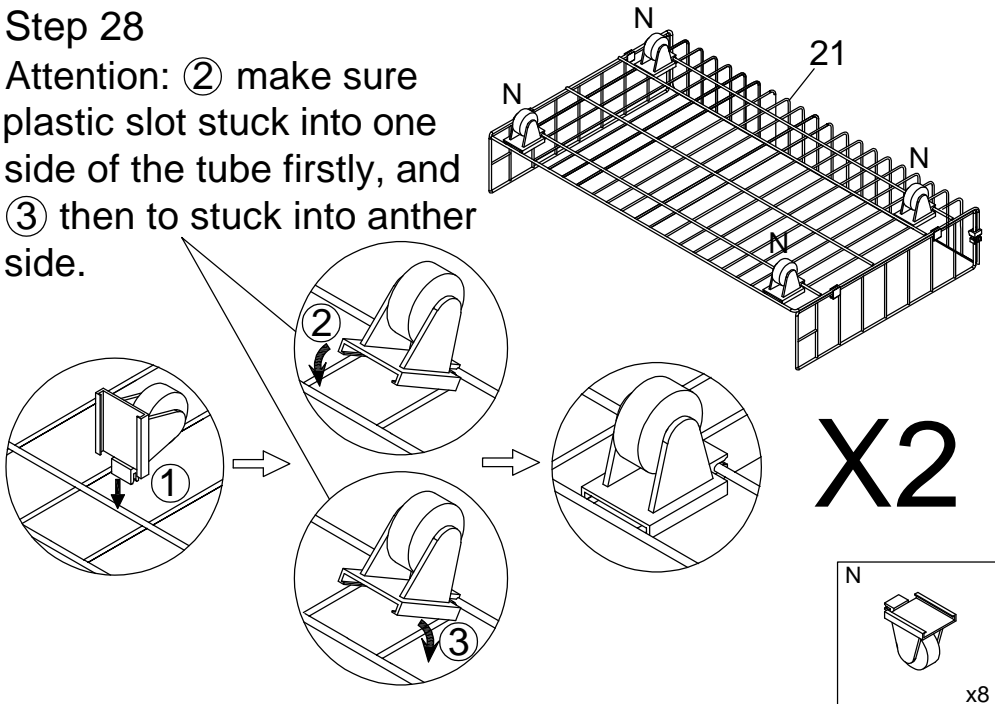


Step 27

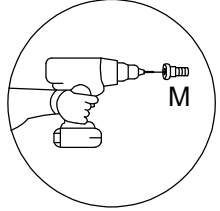
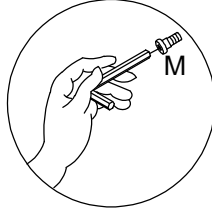
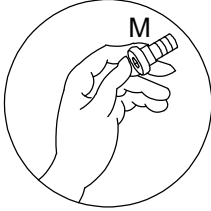
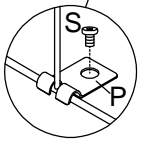
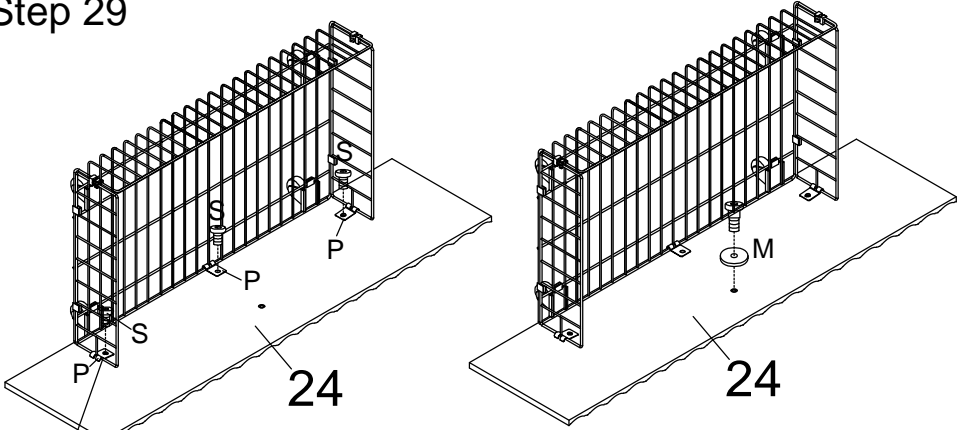


Step 28

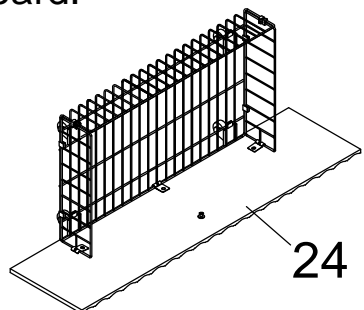
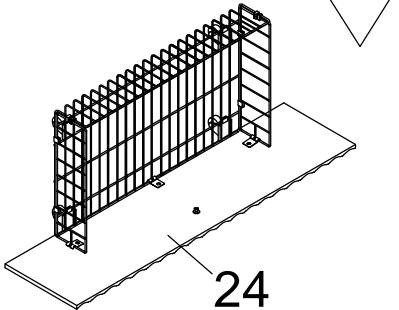
Attention: ② make sure plastic slot stuck into one side of the tube firstly, and ③ then to stuck into another side.

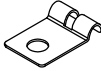
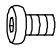
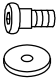


Step 29

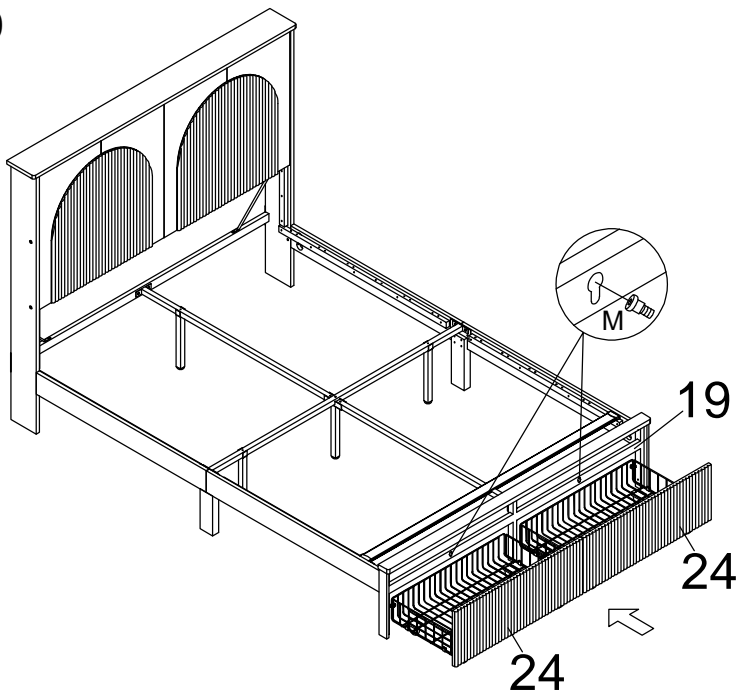


Note: Please don't fully tighten M screws to the board.

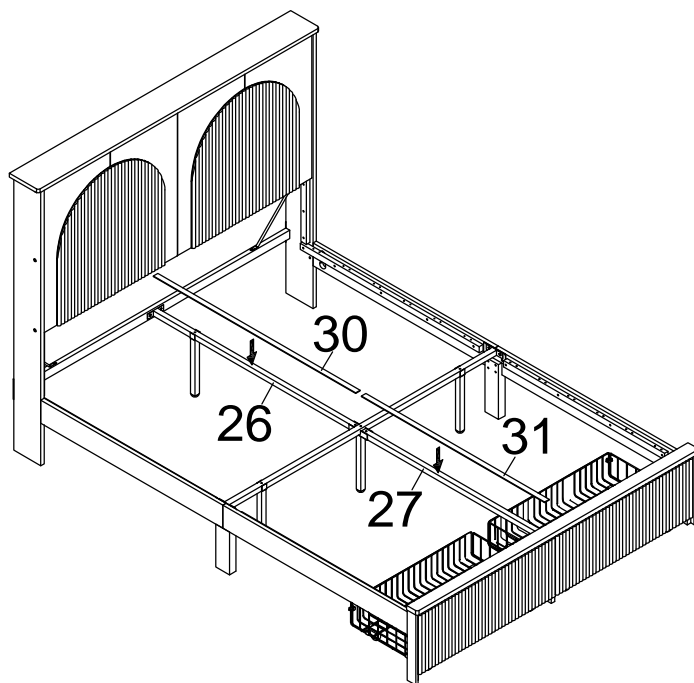


P	S M6x10	M
		
x6	x6	x2

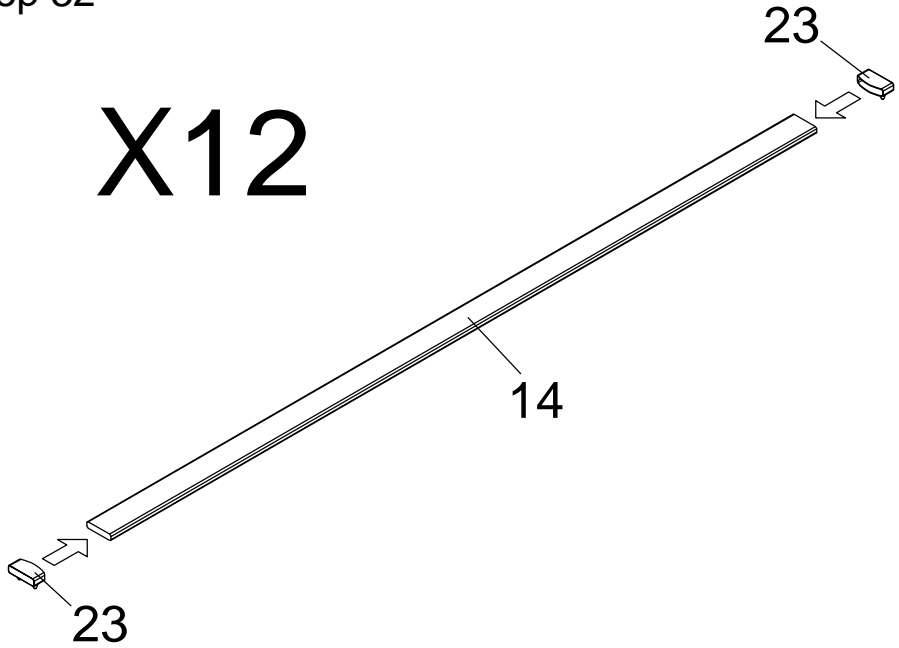
Step 30



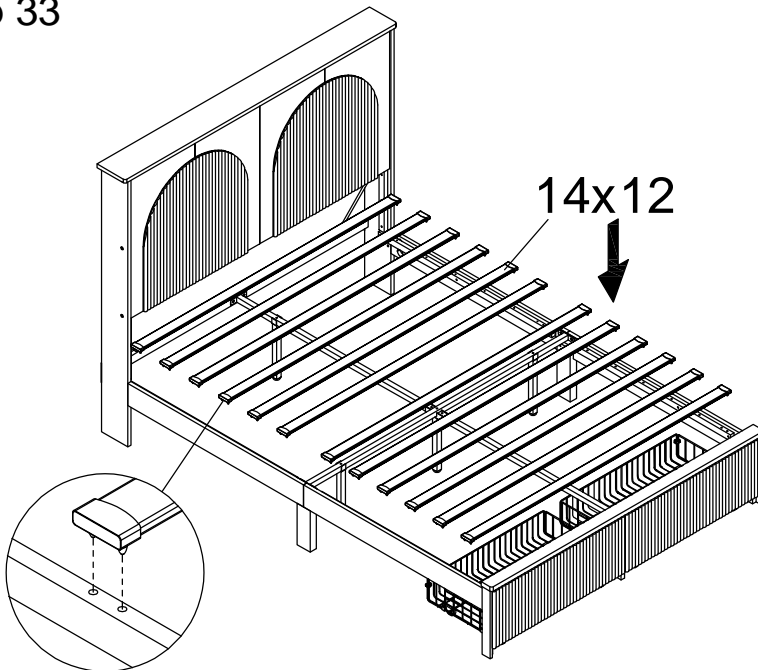
Step 31



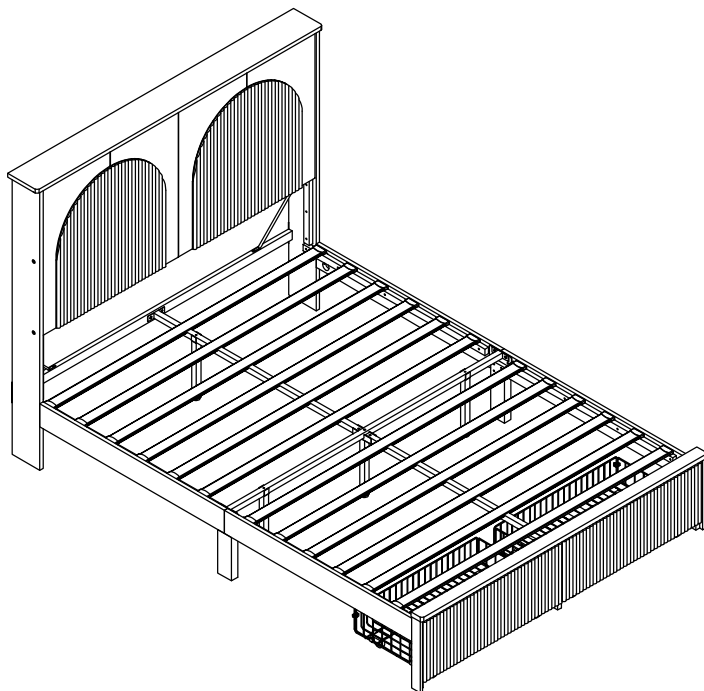
Step 32



Step 33



Finish !!!



WARRANTY INFORMATION

- Do not expose the surfaces to direct sunlight or to extreme environmental conditions.
- Clean the surfaces preferable with a clean damp cloth, then dry with a clean towel.
- Do not use solvents or abrasive materials to clean the unit. If you decide to use a cleaning agent, test first on an area hidden from view.
- Replacement parts might be available to you at no charge, with an original proof of purchase and where a defect has arisen, wholly or substantially, as a result of faulty manufacturing, parts or workmanship during the Warranty Period.
- The warranty does not extend to regular wear and tear, nor the manufacturer assumes liability for damages or consequences due to accidents, incorrect assembly, negligence, improper use, modifications, or not heeding the above warnings.
- Thank you so much for your support! We hope you enjoy your purchase. If there is any damage or missing accessories, please feel free to contact us for free replacement or refund. You can quickly find us through
Customer Service Line: **+1-888-292-2399** .
Customer Service Email: **service7770@outlook.com** .
with your order number, we will try our best to solve this problem for you

Thank you !

