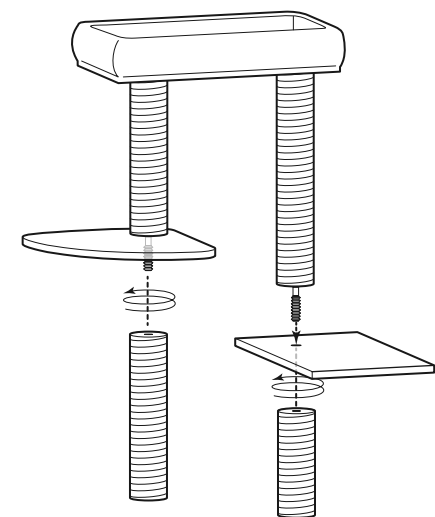
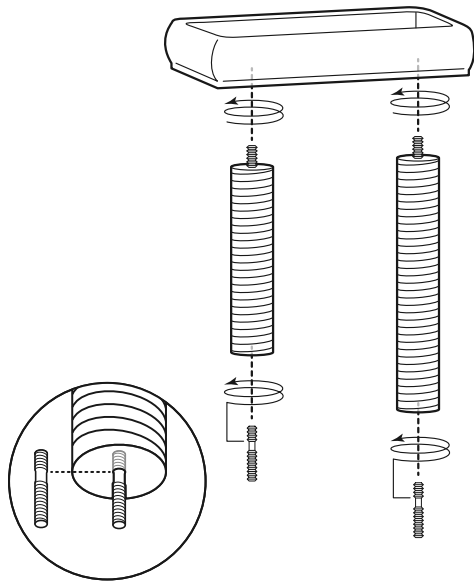
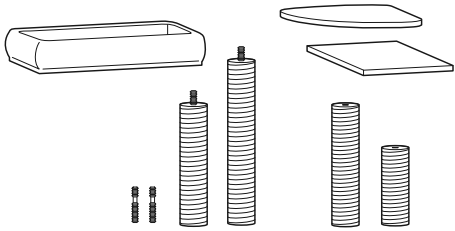


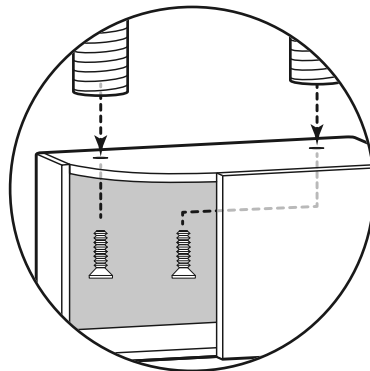
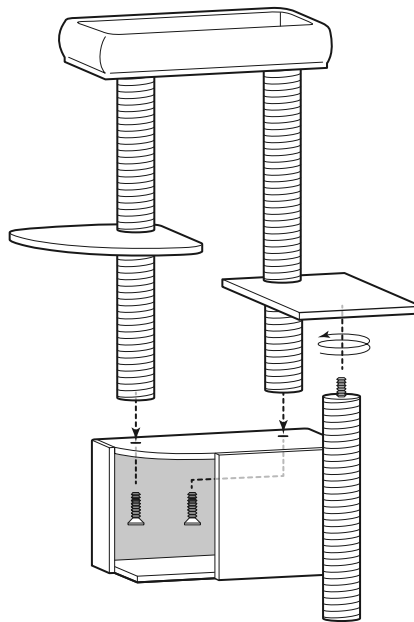
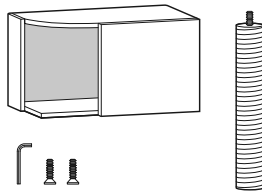
Frosty Lounge

TOOLS REQUIRED : Allen wrench (included) • For best results, follow Assembly Steps in order presented.

1 PIECES

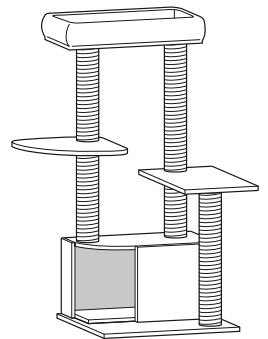
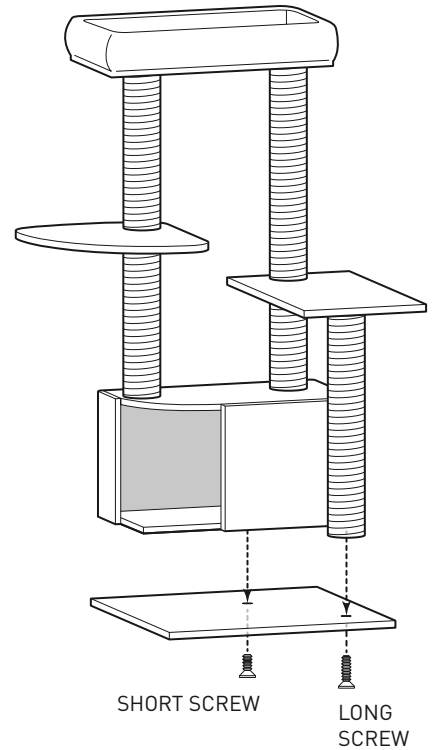
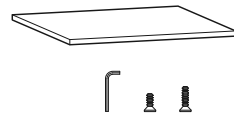


2 PIECES



LONG SCREWS

3 PIECES



Assembly completed. ■