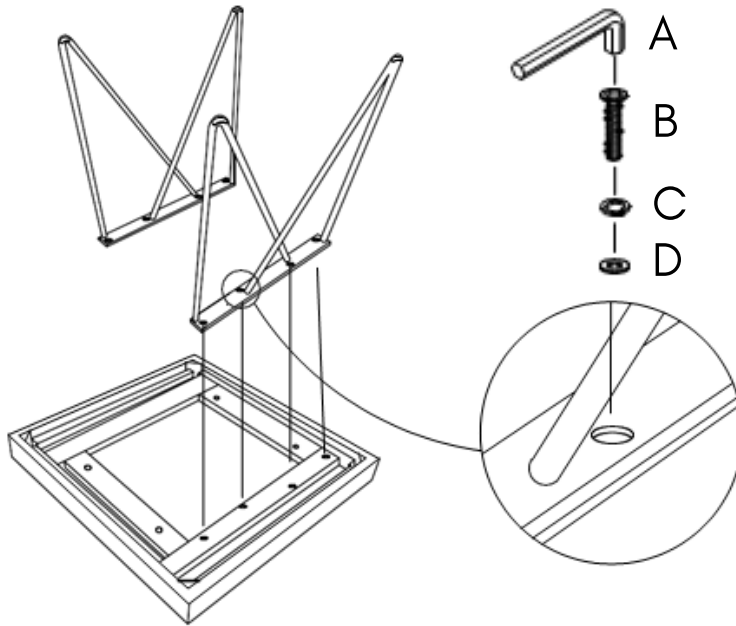


# ASSEMBLY INSTRUCTIONS

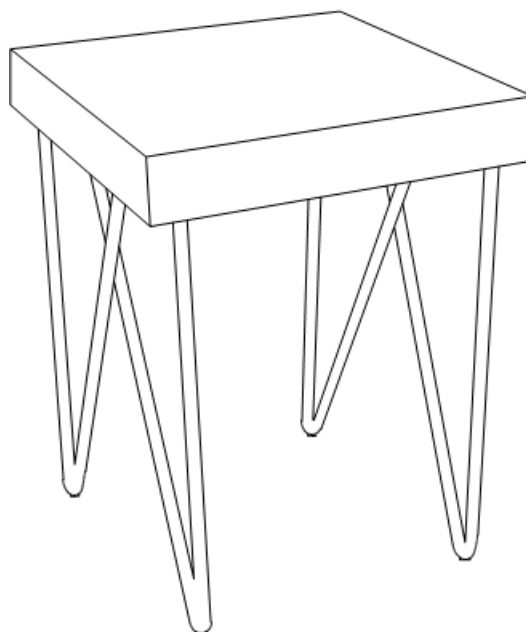
Do not fully tighten bolts & screws until the entire item is completely assembled.  
Two People required for assembly.

## STEP :01



**NOTE : Match the top and legs arrows.**

## STEP :02



For user safety periodically verify tighten all fittings

# Hardware Pack

A



B



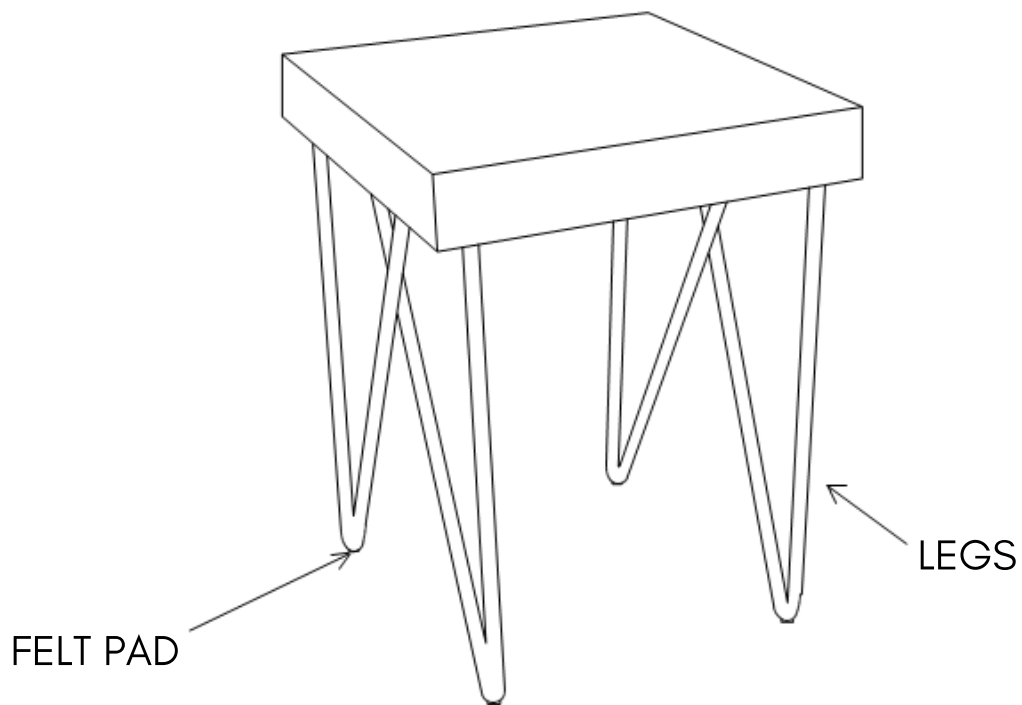
C



D



For user safety periodically verify tighten all fittings



PRODUCT DETAILS	
TABLE TOP	
LEG	
PRODUCT SIZE	
CARTON SIZE	
NET WEIGHT	
GROSS WEIGHT	
CU. FT.	

For user safety periodically verify tighten all fittings