





# ASSEMBLY INSTRUCTION

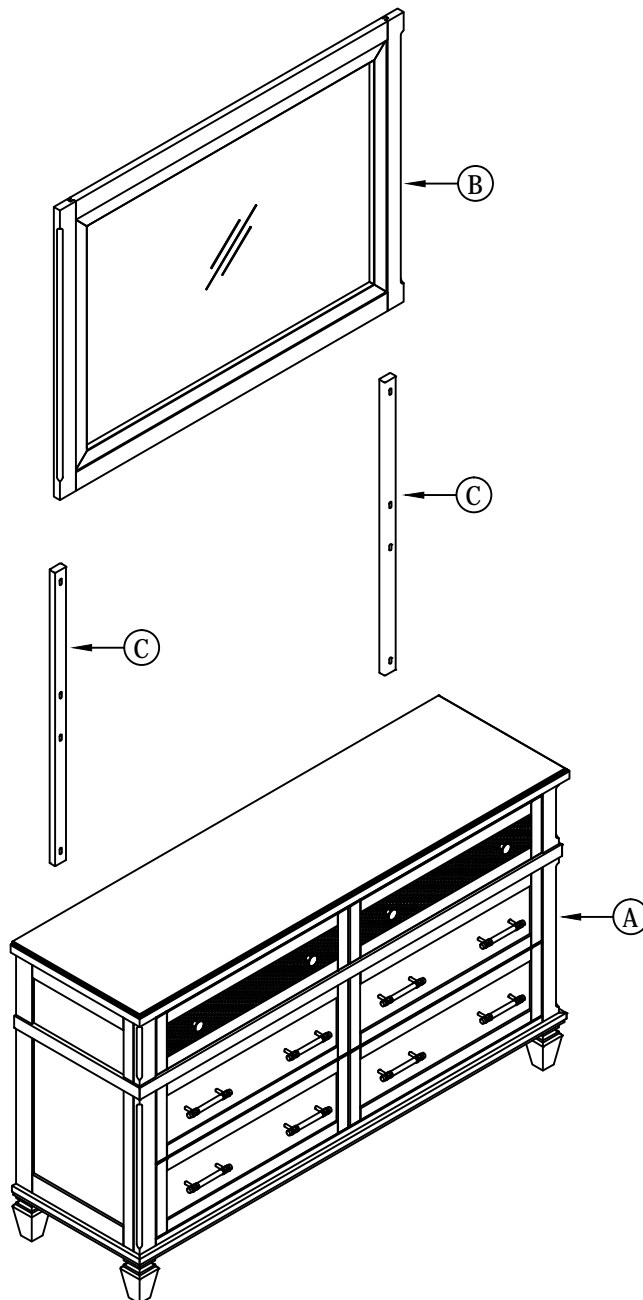
## MIRROR TO DRESSER

### DRAWER DRESSER

### MIRROR

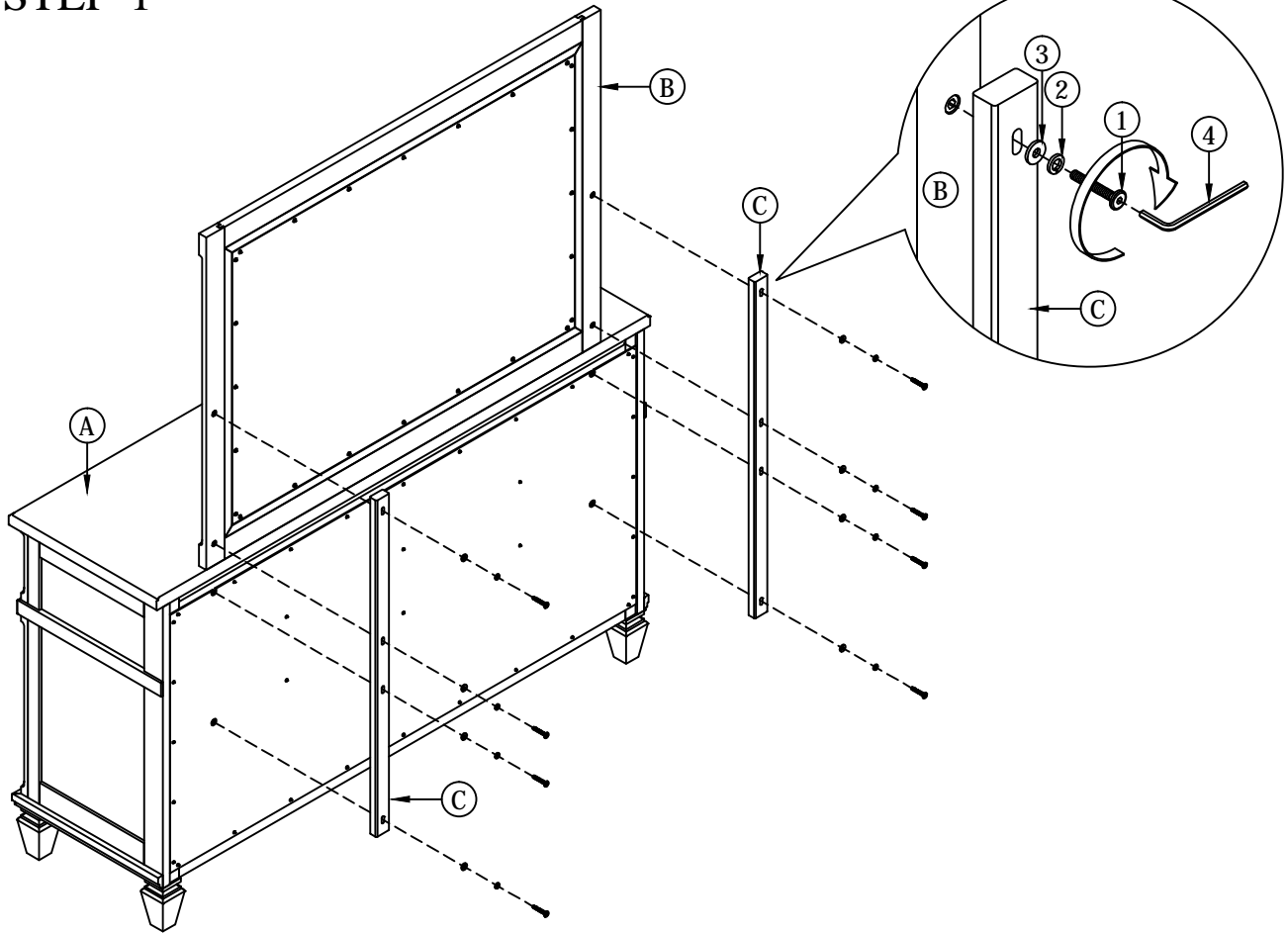
Thank you for purchasing this quality product. Be sure to check all packing material carefully for small parts, which may have come loose inside the carton during shipment. Identify and count all parts and compare with the Hardware List as below:

DRESSER	No	Description			Qty
	A	Dawer Dresser			1
MIRROR	B	Mirror			1
	C	Support Mirror			2
Hardware List	No	Picture	Description	Dimension	Qty
	1		Knock Down Bolt	M6 x 40 mm	8
	2		Lock Washer	6 x 11 x 2 mm	8
	3		Washer	16 x 6 x 2 mm	8
4		Allen Key #4 mm	#4 x 70 mm	1	

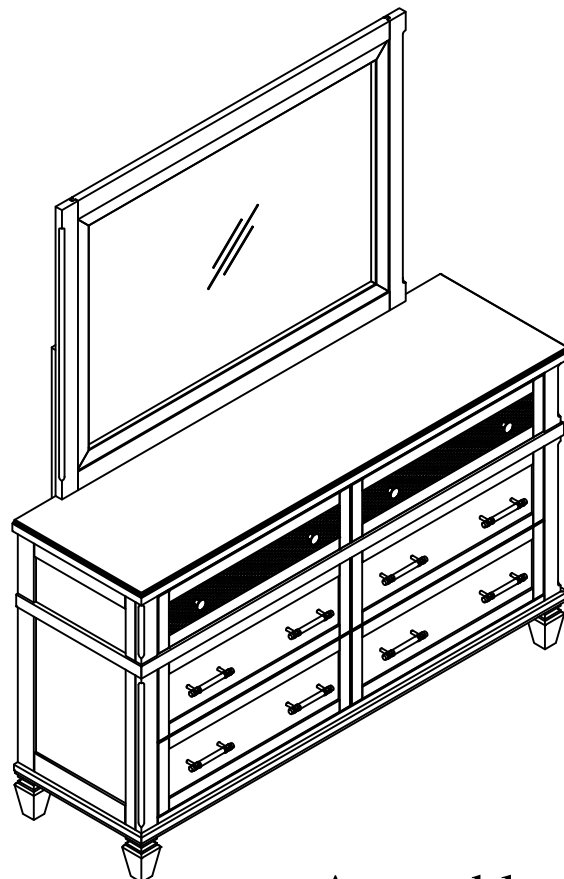


# ASSEMBLY STEP

## STEP 1



## STEP 2



Assembly Completed