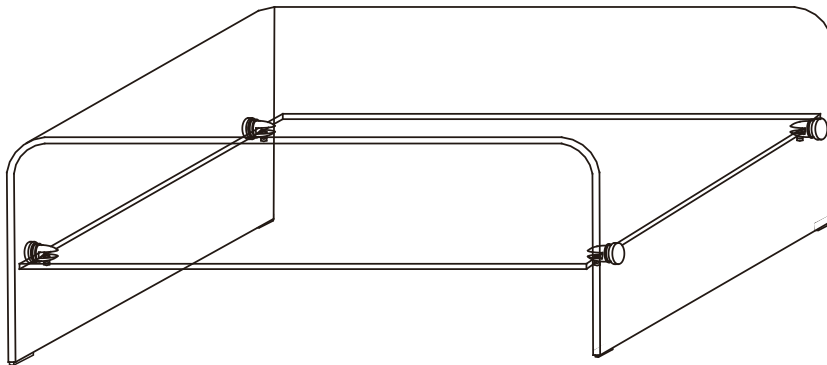


Assembly Instructions

Caution : You must read this before you proceed.

COFFEE TABLE



Parts List

No.	Picture	Description	Qty
A		Coffee Table Main Frame (Glass)	1
B		Glass Shelf	1

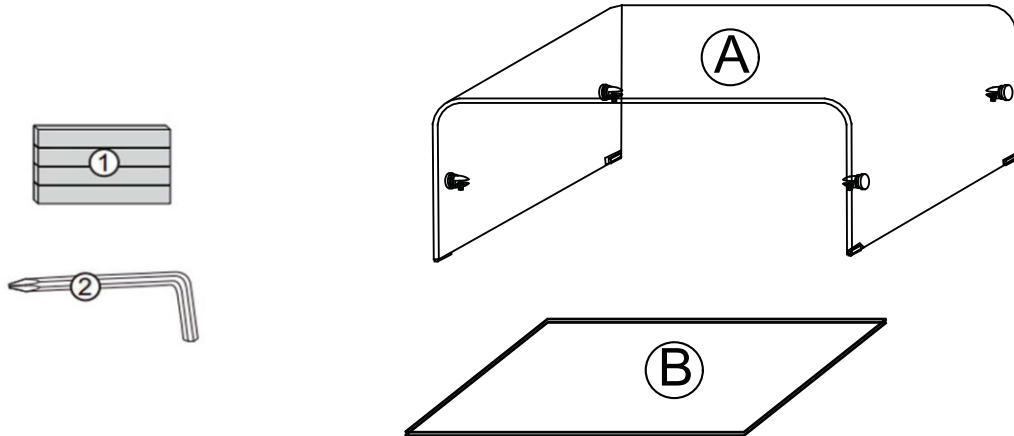
Hardware

1		Pad	5
2		Allen Key	1

Assembly Preparation

CAUTION: This table is made of glass and is heavy. You must have a second adult to help you during the entire process. Care must be exercised.

Before Beginning Assembly:



- Read instructions, cover to cover-



- Have 2 adults on hand for assembly-



- Do not assemble on flooring or carpet-



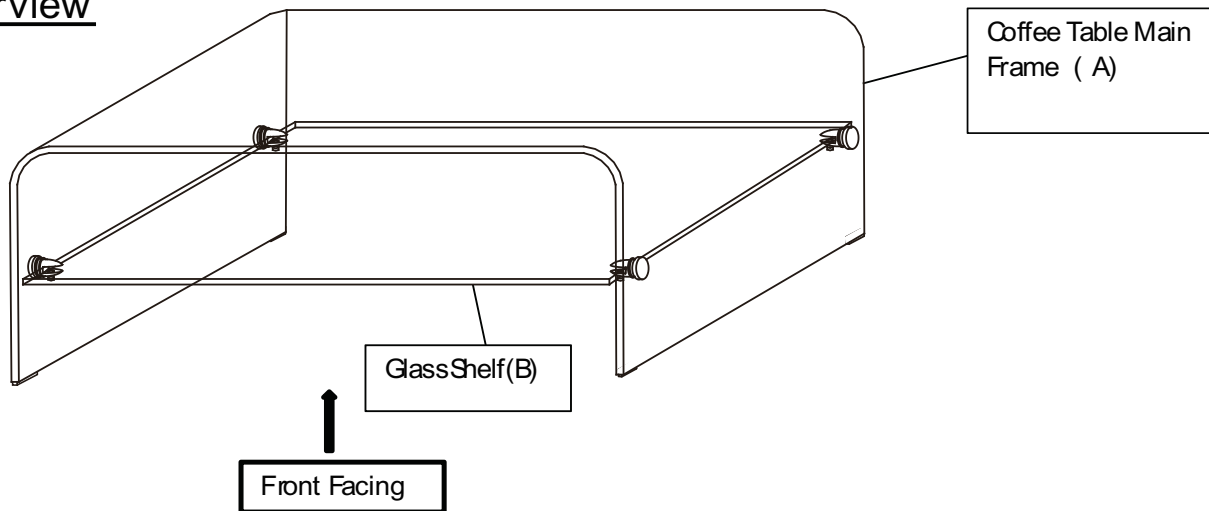
- Assemble on a clean non-marring surface (packing foam)-



- Save all packaging until finished-

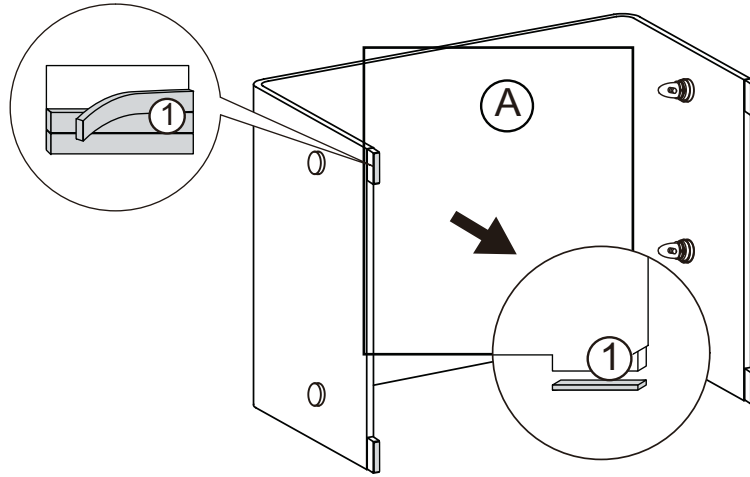
Assembly Steps

Overview



This Coffee Table has multiple parts and may require up to 30 minutes to assemble. To give you an overview of the Coffee Table parts, the above picture is to help you put the various parts into perspective. Please read through the instructions below to familiarise yourself with the parts and steps before assembly.

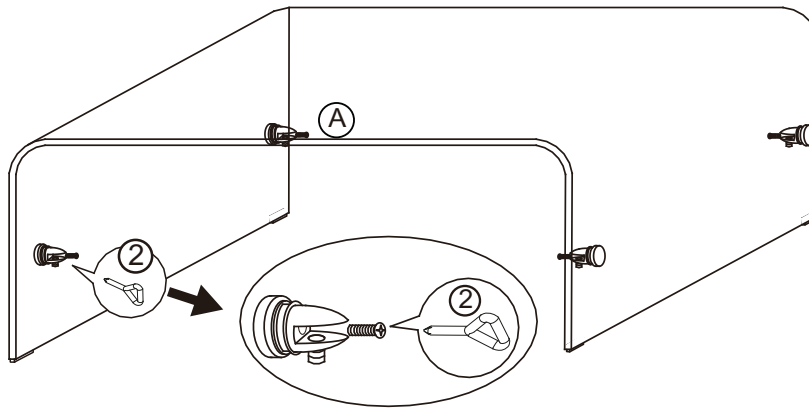
Step 1



Put Coffee Table Main Frame (Glass)(A) carefully on its side onto a soft, non-marring surface.

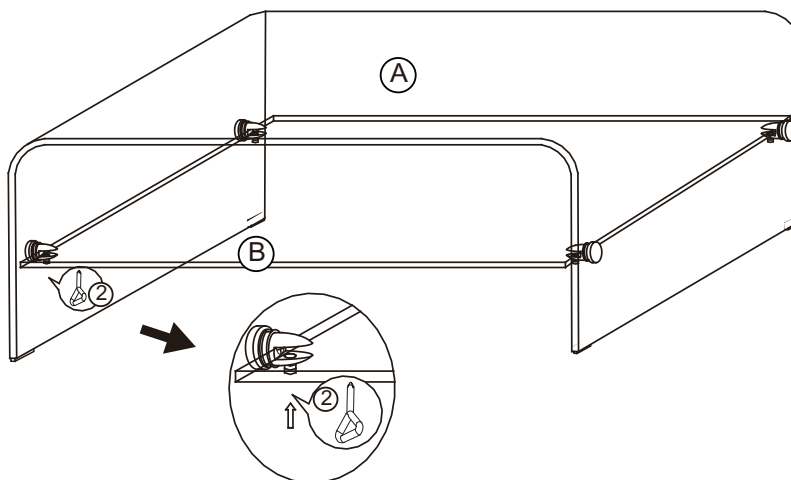
Peel a Pad(1) off the backing and apply it squarely to an Aluminum Leg as shown in the picture. Repeat this step with the remaining three feet.

Step 2



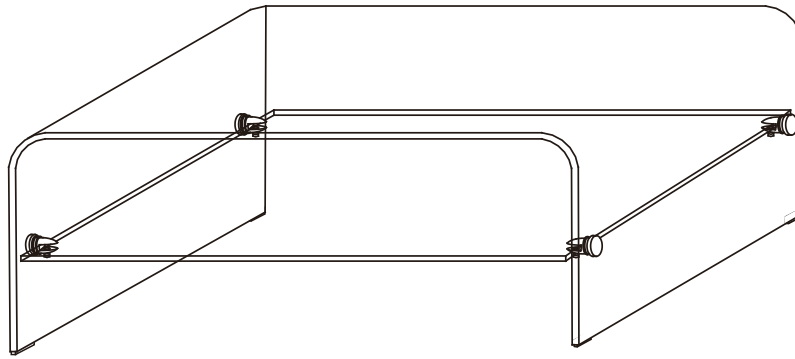
Turn the Table right side up. Use the Allen Key(2) to tighten all of the Pre-attached Brackets to the Table as shown in the picture.

Step 3



Carefully insert Glass Shelf(B) into the Brackets on the Coffee Table Main Frame (Glass)(A). Tighten the Plastic Bolts at the bottom of the Brackets until the Glass Shelf is secured in place.

Step 4



Your Coffee Table is ready for use.

This Coffee Table can only be used on a flat, level surface.

Care & Maintenance



- Furniture may scratch floors. We recommend using furniture pads to protect your floors.



- Do not put hot items directly on furniture surface.



- Do not put hot items directly on furniture surface.



- Do not place furniture under direct sunlight.



- Do not place furniture near heating or cooling vents.



- Do not write on furniture without a padded barrier to protect the surface.



- Do not place furniture outside . For indoor use only.



- Not for commercial use. For residential use only.



- Stains may be removed with mild soap solution and damp cloth.



- Children should not climb or jump on the furniture.



- Dust and pick-up spills using a clean, non-colored, lint-free cloth.