



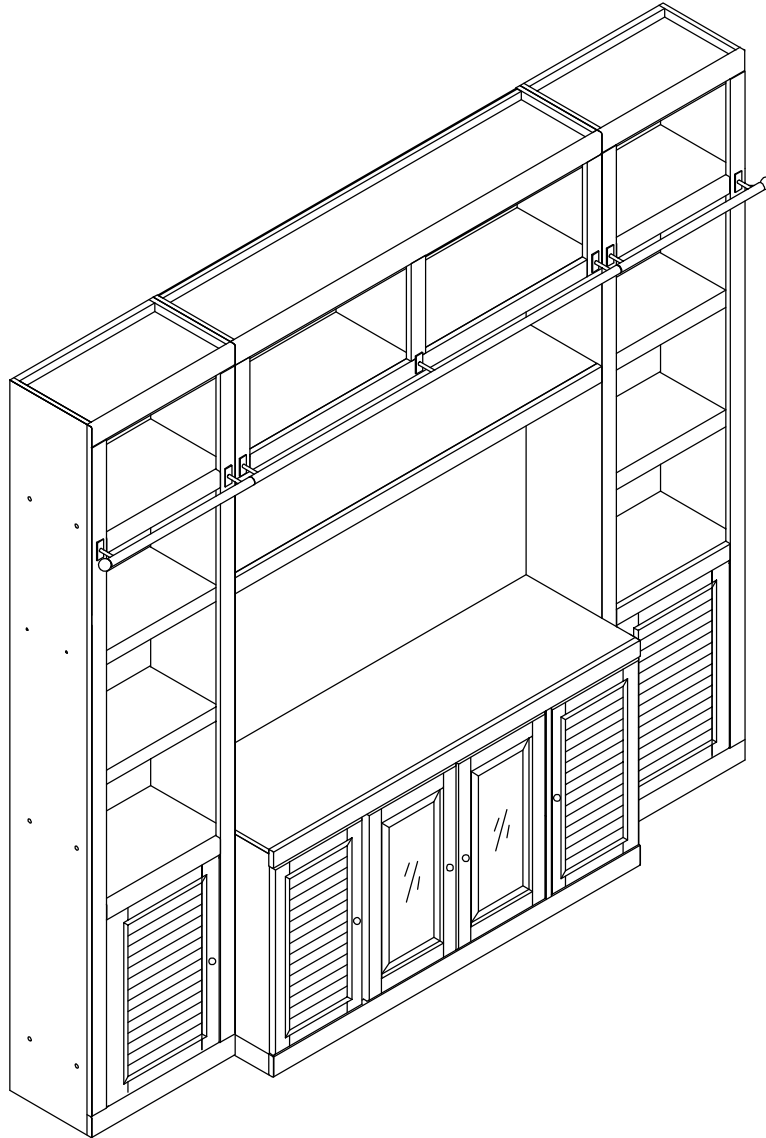
Parker House
FURNITURE

Assembly Instruction

Item No: BOC#411

Description : 56 INCH TV CONSOLE

Rev 2 :2021-11-05



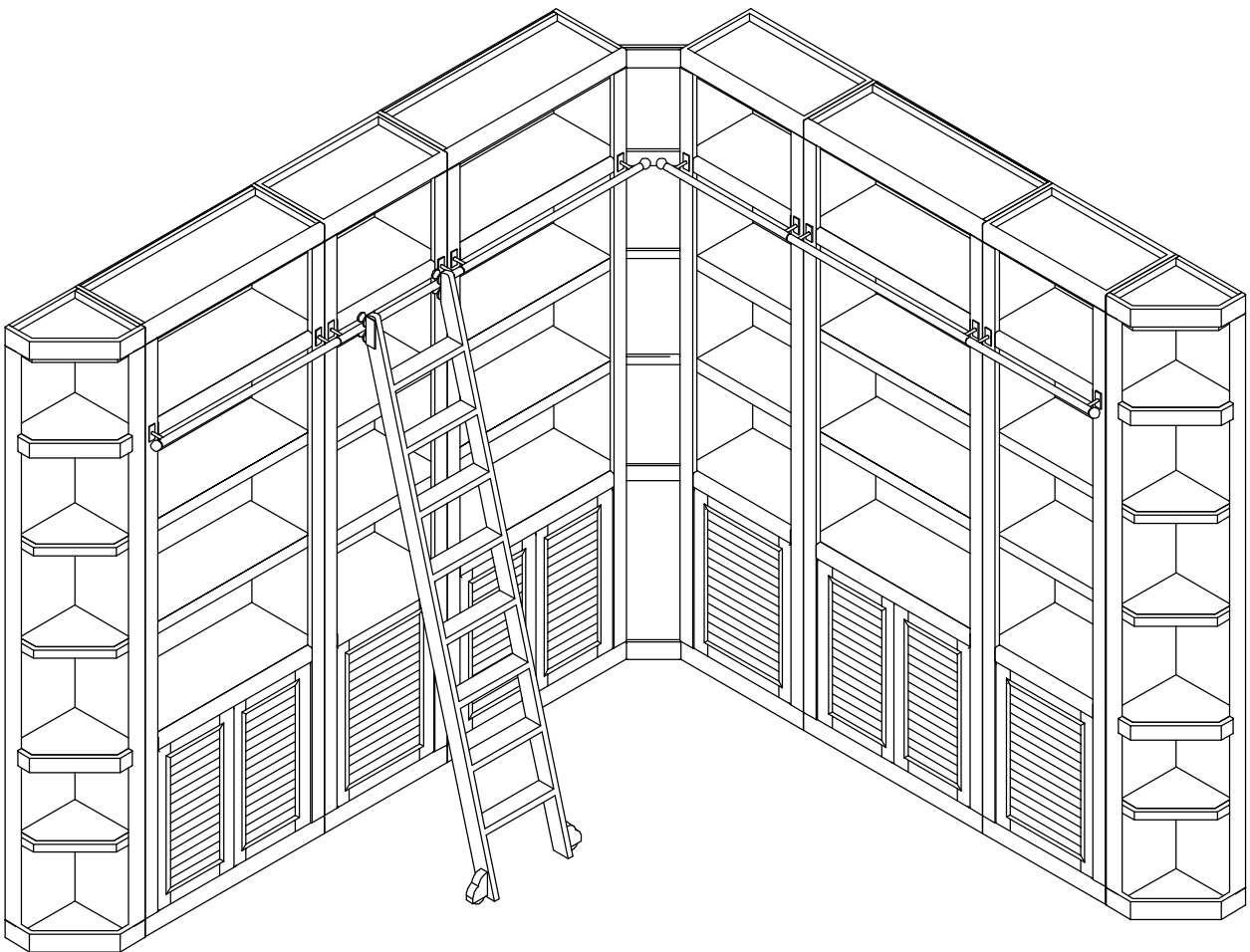


Parker House
FURNITURE

Assembly Instruction

Item No: BOC LIBRARY

Rev 2 :2021-11-05





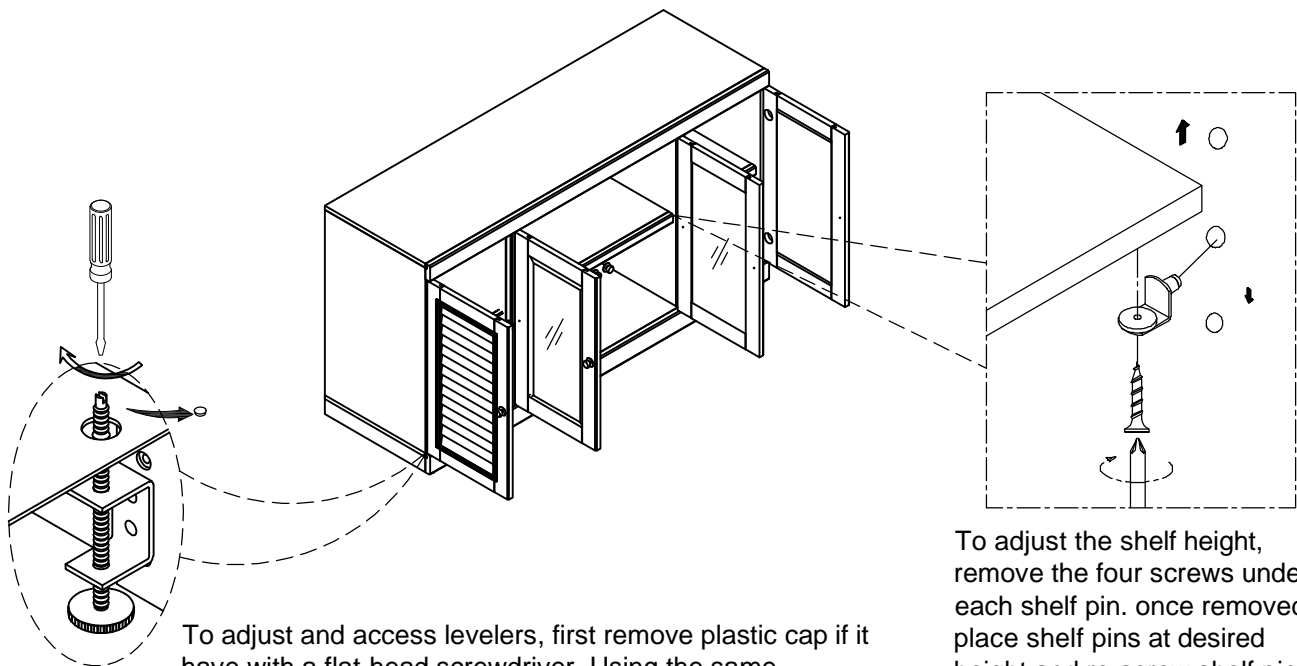
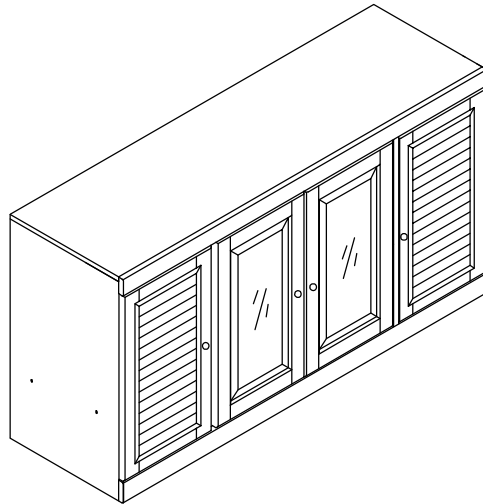
Parker House
FURNITURE

Assembly Instruction

Item No: BOC#411

Description : 56 INCH TV CONSOLE

Rev 2 :2021-11-05



To adjust and access levelers, first remove plastic cap if it have with a flat-head screwdriver. Using the same screwdriver, proceed to turn leveler clockwise to raise the piece, or counterclockwise to lower the piece.

To adjust the shelf height, remove the four screws under each shelf pin. once removed, place shelf pins at desired height and re-screw shelf pins.



Parker House
FURNITURE

Assembly Instruction

Item No: BOC#401

Description : 56 INCH BOOKCASE BRIDGE SHELF AND BACK PANEL

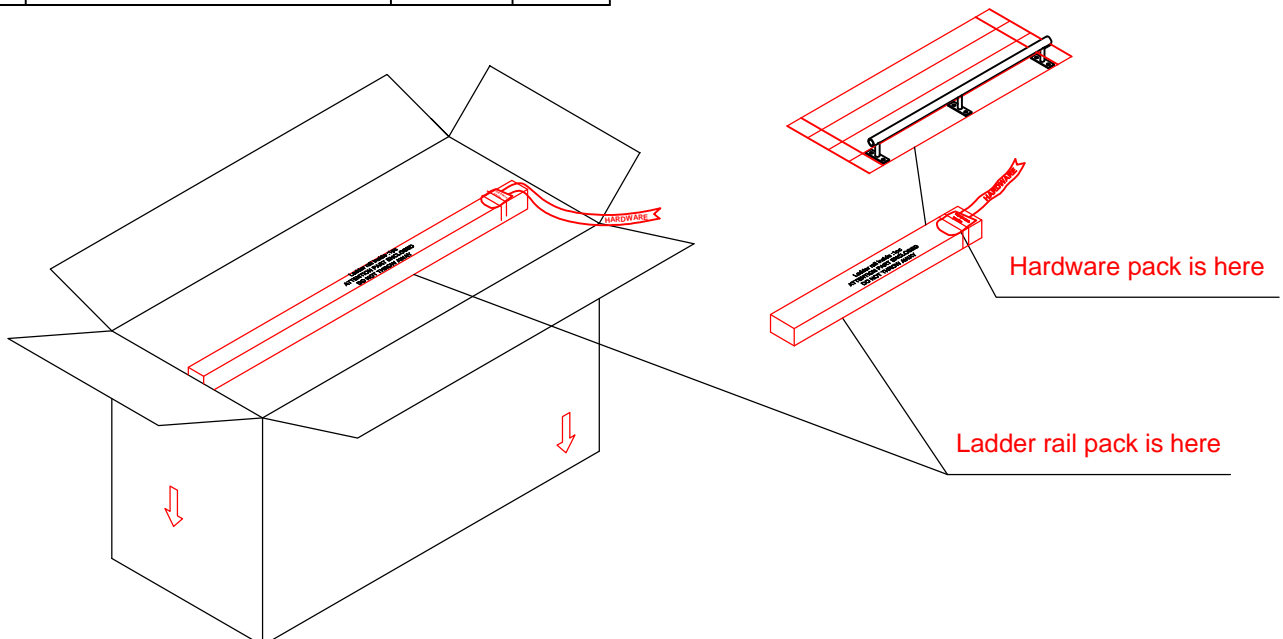
Rev 2 :2021-11-05

HARDWARE LIST

No	Description	Sketch	Q'TY
A	Allen wrench 4mm		1PC
B	Bolt Ø 1/4"x3/4"		6PCS
C	Ladder rail		1PC
D	Bolt Ø 1/4"x3/4"		6PCS
E	Decorative bolt head		6PCS
F	Plastic cap		6PCS
G	Allen wrench 2.5mm		1PC
H	Bolt Ø 1/4"x1"		8PCS
I	Screw cap Ø 1/4" x5/8"		8PCS
J	Metal ball		2PCS
K	Sleeve		2PCS
L	Wood plug		4PCS
M	Shelf bracket		4PCS
N	Screw Ø4x1/2"		16PCS
O	Bolt Ø 1/4"x1"		3PCS
P	Lock washer Ø1/4"x12mm		3PCS
Q	Flat washer Ø1/4"x19mm		3PCS

PARTS LIST

BRIDGE (1PC)	SHELF (1PC)
①	②
BACK PANEL (1PC)	
③	





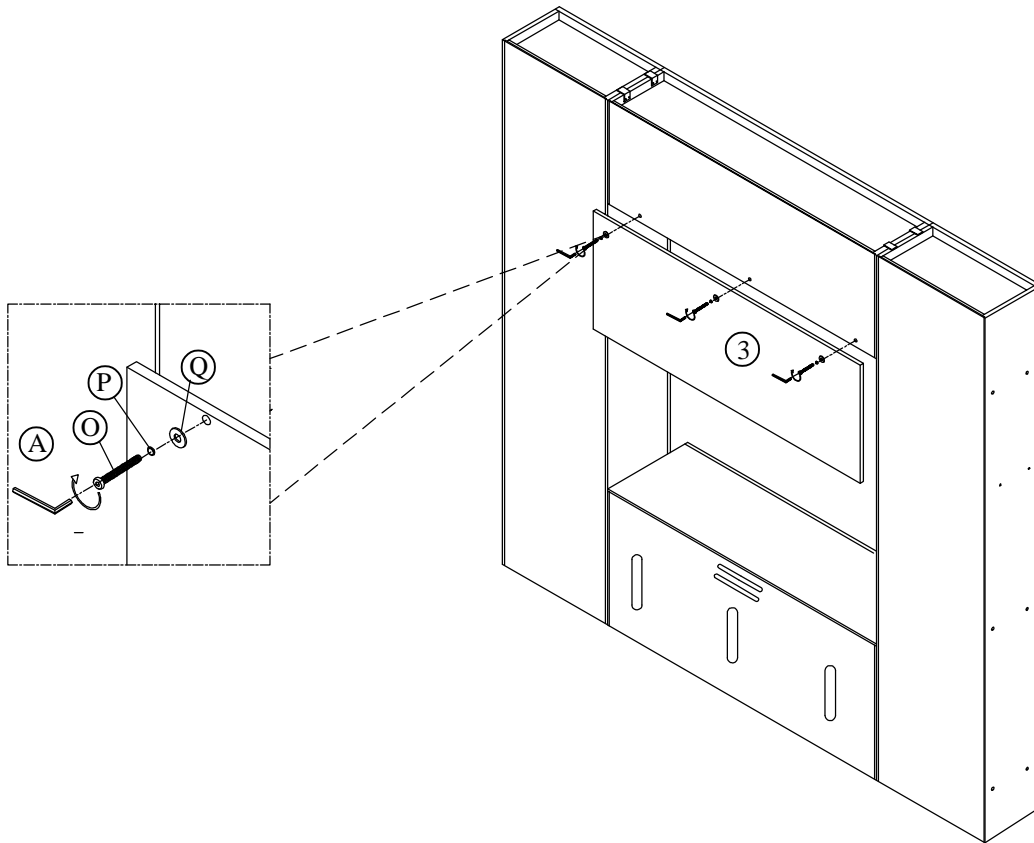
Parker House
FURNITURE

Assembly Instruction

Item No: BOC#401

Description : 56 INCH BOOKCASE BRIDGE SHELF AND BACK PANEL

Rev 2 :2021-11-05





Parker House
FURNITURE







Assembly Instruction

Item No: BOC#420



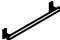




Description : 22 INCH OPEN TOP BOOKCASE

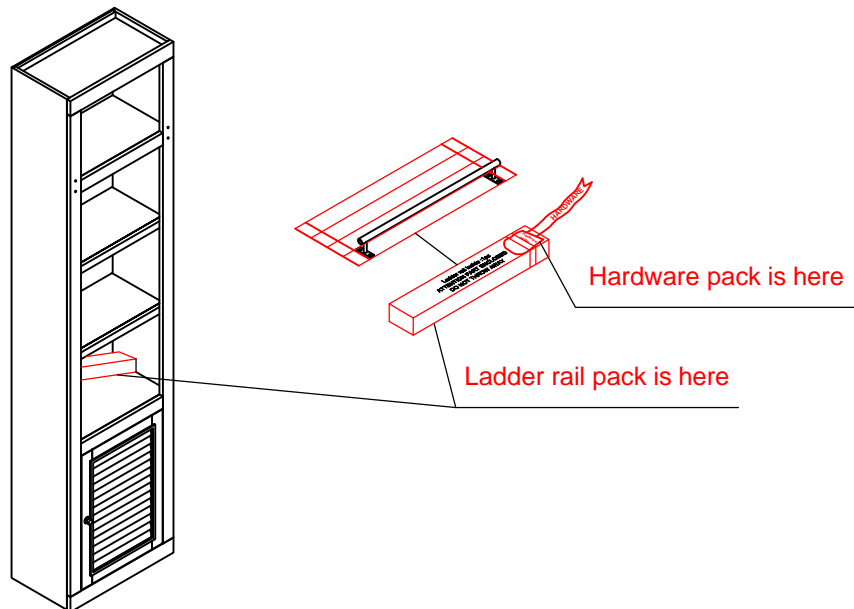
Rev 2 :2021-11-05

HARDWARE LIST

No	Description	Sketch	Q'TY
A	Allen wrench 4mm		1PC
B	Allen wrench 2.5mm		1PC
C	Bolt Ø 1/4"x1"		6PCS
D	Screw cap Ø 1/4" x5/8"		6PCS
E	Metal ball		1PC
F	Sleeve		1PC

HARDWARE LIST

No	Description	Sketch	Q'TY
G	Wood plug		4PCS
H	Bolt Ø 1/4"x3/4"		4PCS
I	Ladder rail		1PC
J	Bolt Ø 1/4"x3/4"		4PCS
K	Decorative bolt head		4PCS
L	Plastic cap		4PCS
M	Anti-tip hardware		1SET





Parker House
FURNITURE

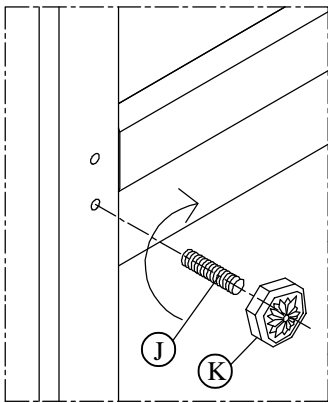
Assembly Instruction

Item No: BOC#420

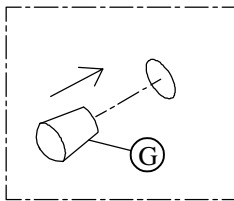
Description : 22 INCH OPEN TOP BOOKCASE

Rev 2 :2021-11-05

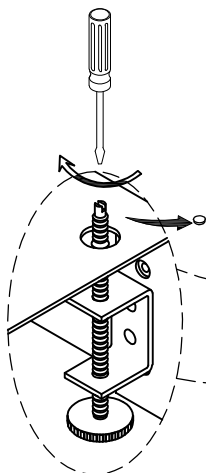
STEP 1



If you don't install ladder rail, use decorative bolt to cover the hole.



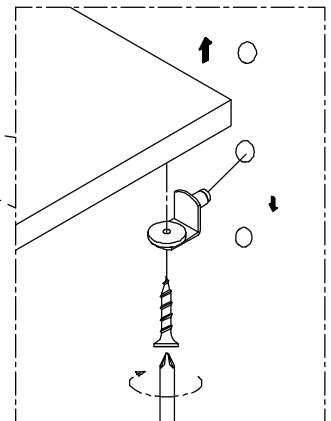
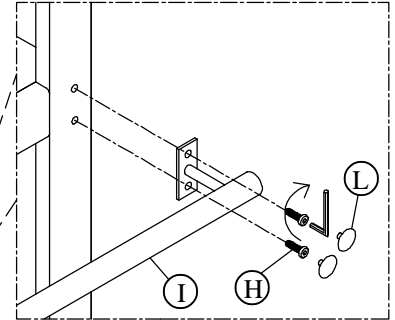
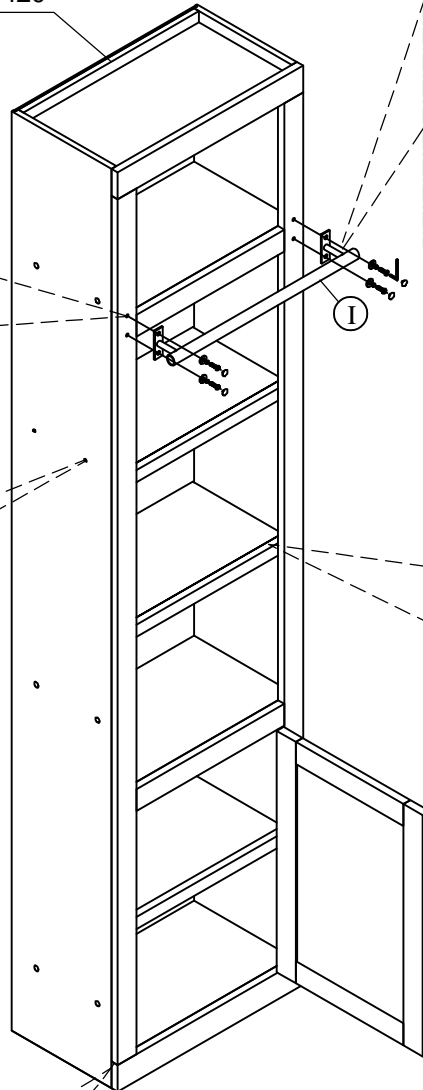
Fill unused holes with wood plugs



Assembled leveler =2PCS

To adjust and access levelers, first remove plastic cap if it have with a flat-head screwdriver. Using the same screwdriver, proceed to turn leveler clockwise to raise the piece, or counterclockwise to lower the piece.

BOC#420



To adjust the shelf height, remove the four screws under each shelf pin. once removed, place shelf pins at desired height and re-screw shelf pins.



Parker House
FURNITURE

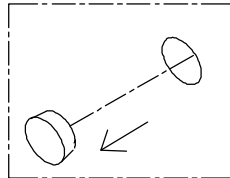
Assembly Instruction

Item No: BOC#420

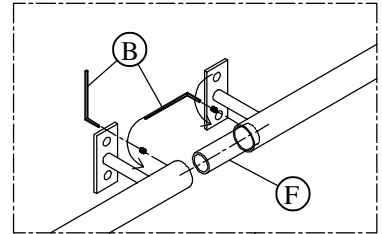
Description : 22 INCH OPEN TOP BOOKCASE

Rev 2 :2021-11-05

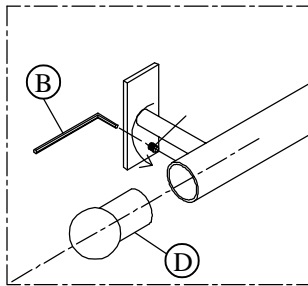
STEP 2



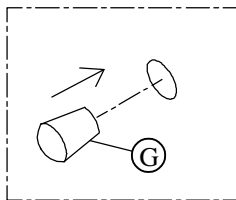
Push out



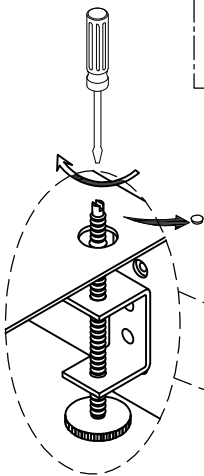
BOC#420



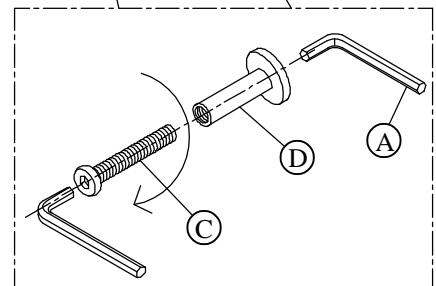
BOC#430



Fill unused holes
with wood plugs



Assembled leveler =2PCS



To adjust and access levelers, first remove plastic cap if it have with a flat-head screwdriver. Using the same screwdriver, proceed to turn leveler clockwise to raise the piece, or counterclockwise to lower the piece.



Parker House
FURNITURE





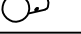

Assembly Instruction

Item No: BOC#430








Description : 32 INCH OPEN TOP BOOKCASE

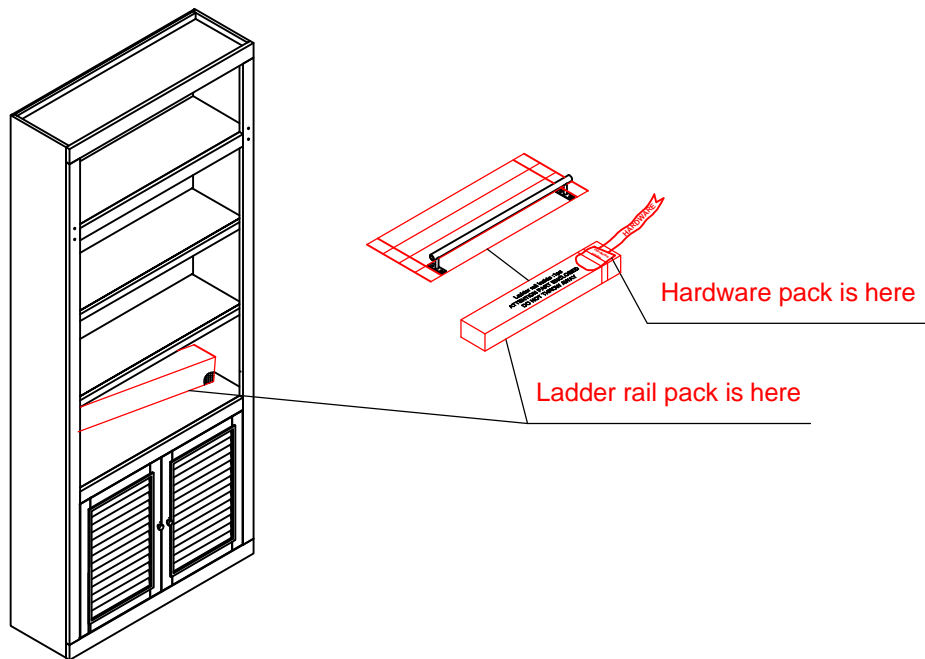
Rev 2 :2021-11-05

HARDWARE LIST

No	Description	Sketch	Q'TY
A	Allen wrench 4mm		1PC
B	Allen wrench 2.5mm		1PC
C	Bolt Ø 1/4"x1"		6PCS
D	Screw cap Ø 1/4" x5/8"		6PCS
E	Metal ball		1PC
F	Sleeve		1PC

HARDWARE LIST

No	Description	Sketch	Q'TY
G	Wood plug		4PCS
H	Bolt Ø 1/4"x3/4"		4PCS
I	Ladder rail		1PC
J	Bolt Ø 1/4"x3/4"		4PCS
K	Decorative bolt head		4PCS
L	Plastic cap		4PCS
M	Anti-tip hardware		1SET





Parker House
FURNITURE

Assembly Instruction

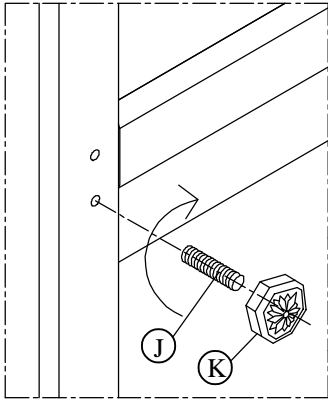
Item No: BOC#430

Description : 32 INCH OPEN TOP BOOKCASE

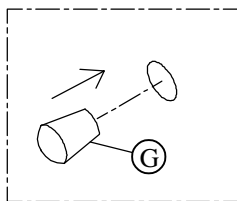
Rev 2 :2021-11-05

STEP 1

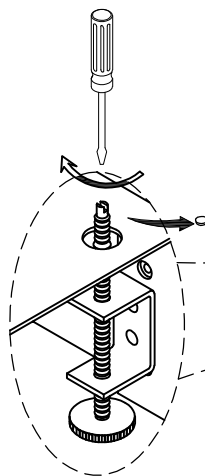
BOC#430



If you don't install ladder rail, use decorative bolt to cover the hole.

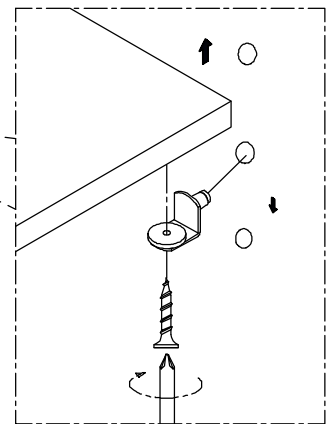
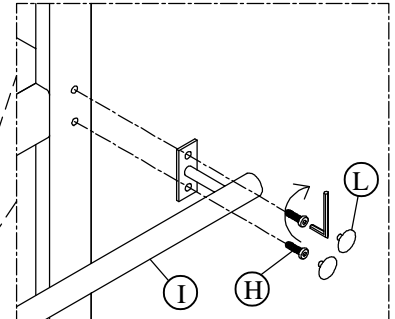


Fill unused holes with wood plugs



Assembled leveler =2PCS

To adjust and access levelers, first remove plastic cap if it have with a flat-head screwdriver. Using the same screwdriver, proceed to turn leveler clockwise to raise the piece, or counterclockwise to lower the piece.



To adjust the shelf height, remove the four screws under each shelf pin. once removed, place shelf pins at desired height and re-screw shelf pins.



Parker House
FURNITURE

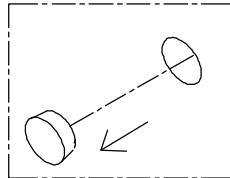
Assembly Instruction

Item No: BOC#430

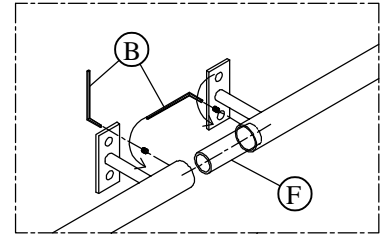
Description : 32 INCH OPEN TOP BOOKCASE

Rev 2 :2021-11-05

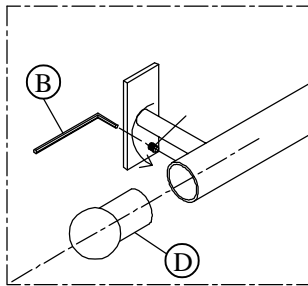
STEP 2



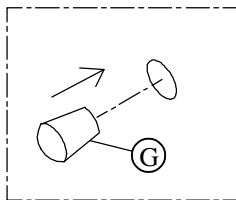
Push out



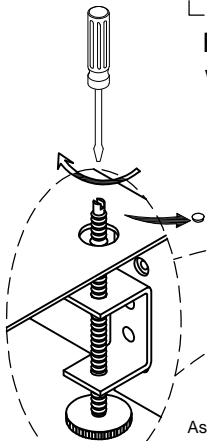
BOC#420



BOC#430

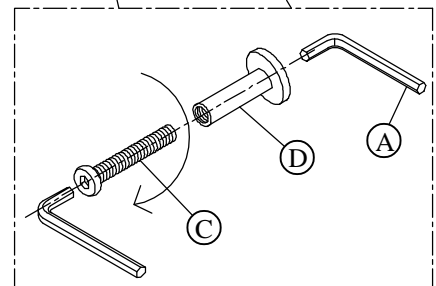


Fill unused holes
with wood plugs



Assembled leveler =2PCS

To adjust and access levelers, first remove plastic cap if it have with a flat-head screwdriver. Using the same screwdriver, proceed to turn leveler clockwise to raise the piece, or counterclockwise to lower the piece.





Parker House
FURNITURE

Assembly Instruction

Item No: BOC#450

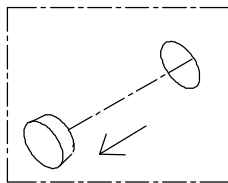
Description : OUTSIDE CORNER

Rev 2 :2021-11-05

HARDWARE LIST

No	Description	Sketch	Q'TY
A	Allen wrench 4mm		1PC
B	Bolt Ø 1/4"x1"		6PCS
C	Screw cap Ø 1/4" x5/8"		6PCS

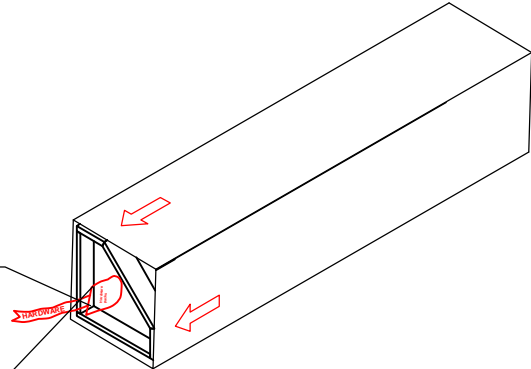
STEP 1



Push out

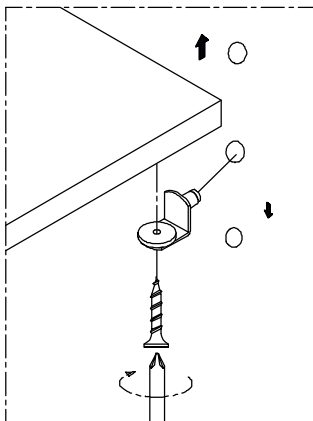
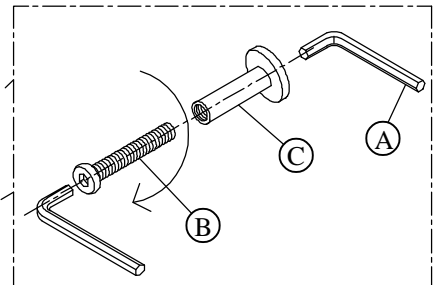
BOC#450

Hardware pack is here

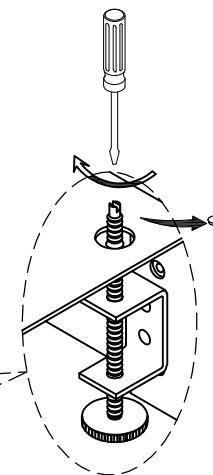
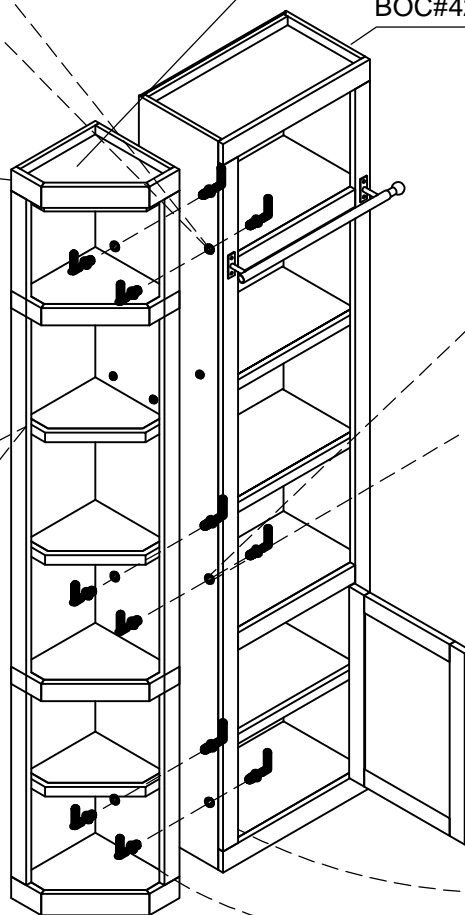


BOC#420

STEP 2



To adjust the shelf height, remove the four screws under each shelf pin. once removed, place shelf pins at desired height and re-screw shelf pins.



To adjust and access levelers, first remove plastic cap if it have with a flat-head screwdriver. Using the same screwdriver, proceed to turn leveler clockwise to raise the piece, or counterclockwise to lower the piece.



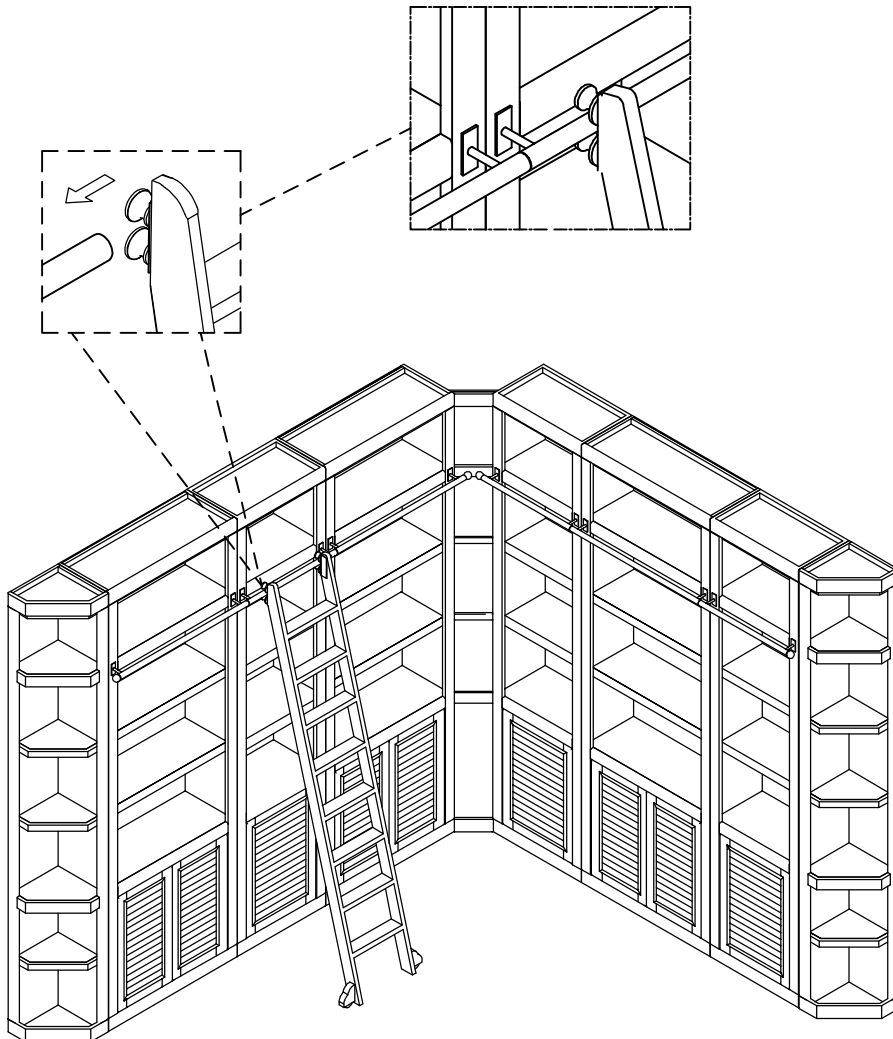
Parker House
FURNITURE

Assembly Instruction

Item No: BOC-495
Description : LADDER

Rev 2 :2021-11-05

Secure library ladder to ladder rail system ensuring library ladder top wheels slide across ladder rail system .



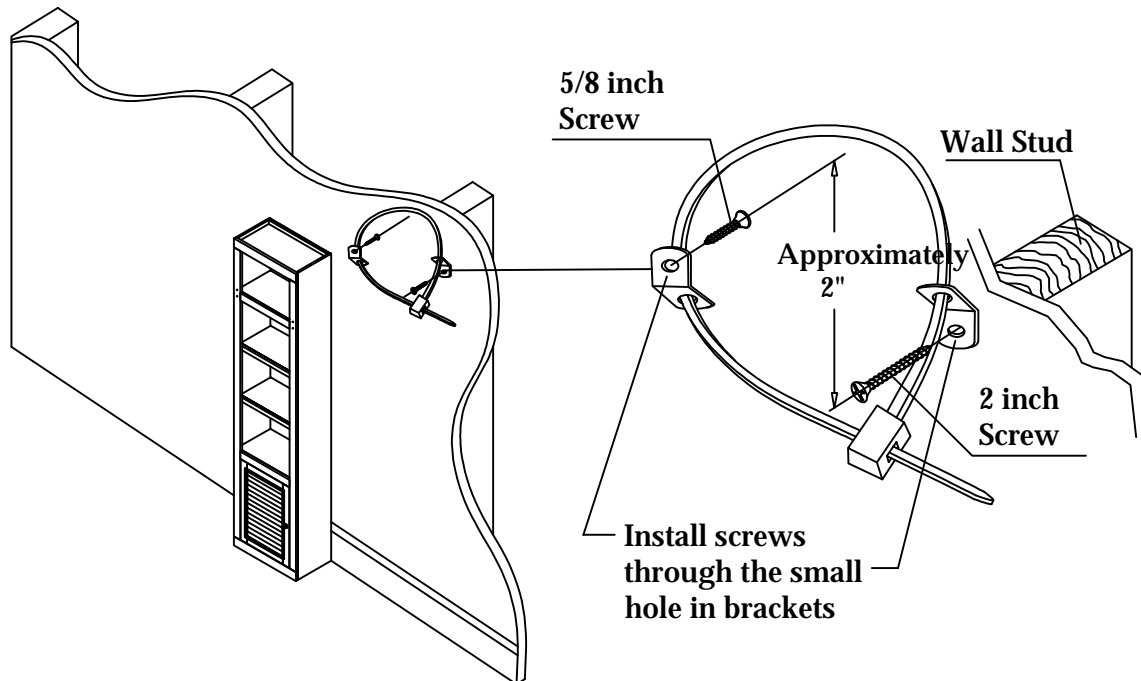


Parker House
FURNITURE

Anti-Tip Hardware Installation Instructions

Rev 2 :2021-11-05

Notice: In homes where small children may be present, Parker House recommends that steps be taken for certain furniture items to prevent or minimize the risk of tip-over. This furniture is equipped with Tip-over Restraint Hardware for use to minimize this risk, if used. Please follow below installation steps. Parker House recommends that parents and guardians periodically visit the U.S. Consumer Product Safety Commission (CPSC) website at <http://www.cpsc.gov/> and stay up to date on all issues related to children's product safety.



1. Temporarily locate the furniture to near its final location in the room next to a wall. Locate a wall stud behind your furniture and also mark the stud's location on the back of your furniture.
2. Firmly attach one bracket to the stud approximately 2" below the top of the furniture with the 2 inch long Wood Screws provided. It may be necessary to drill 3/32 dia. pilot holes for the screws.
3. Firmly attach the other bracket onto a solid, structural part on the back of the furniture using the 5/8 inch long Wood Screws. It may also be necessary to pilot bore for these screws.
4. Move the furniture into its final position, taking care to line up the wall bracket with the furniture bracket. Thread a strap through the bracket as shown in the illustration. Tighten strap until snug but do not over tighten.

Caution: Parker House assumes no liability for improper installation or excessive loads placed on screws, brackets or straps. Failure to detach this restraint before moving furniture may result in personal injury and property damage.

Warning: This tip-over restraint is not to be a substitute for proper adult supervision. Do not allow children to climb on furniture. Items left on top of the TV and furniture, such as toys, remote controls, and treats might tempt young children to climb. Push the TV as far back as possible from the front of its stand. Place electrical cords out of a child's reach, and teach children not to play with the cords.