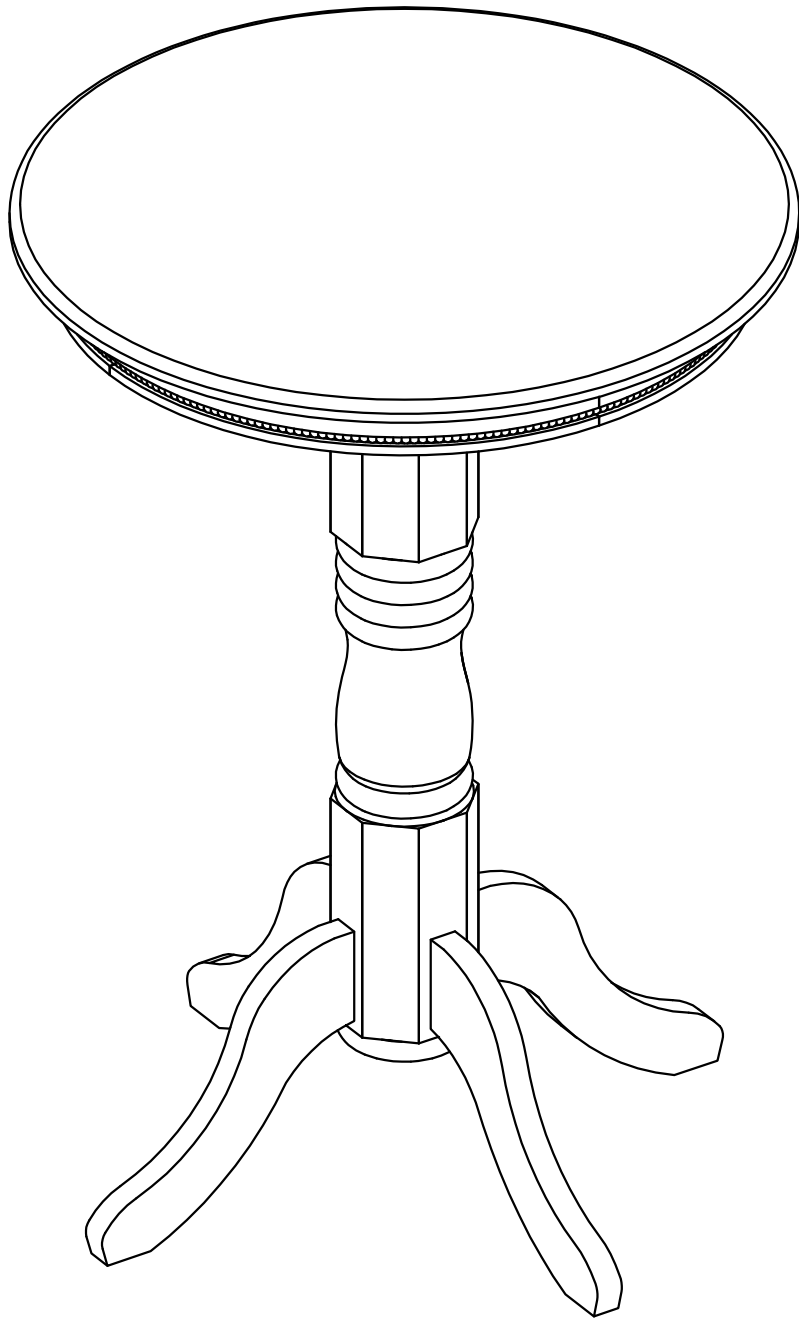


ASSEMBLY INSTRUCTIONS





PLEASE READ ME FIRST



- Have questions about assembling your item?

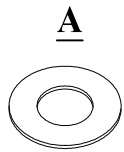


- Item or parts damaged?

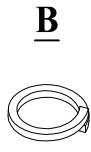


- Missing a part?

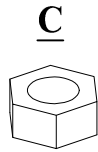
Phillips
Screwdriver
(Not provided)



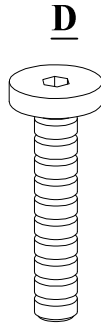
4 PCS



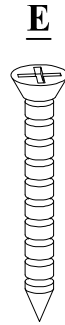
4 PCS



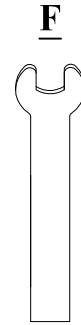
4 PCS



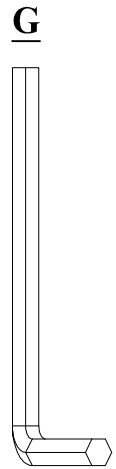
4 PCS



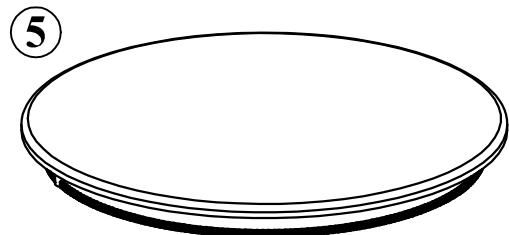
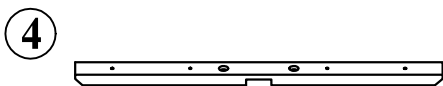
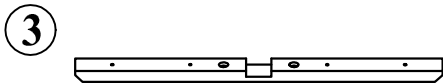
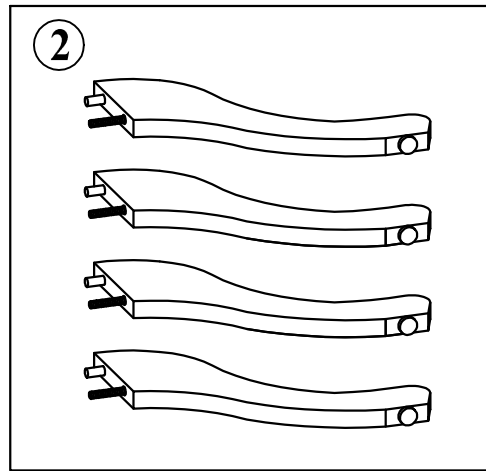
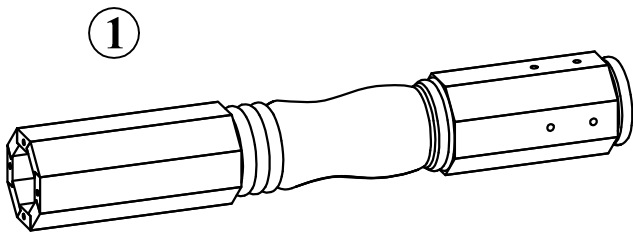
8 PCS






1 PC

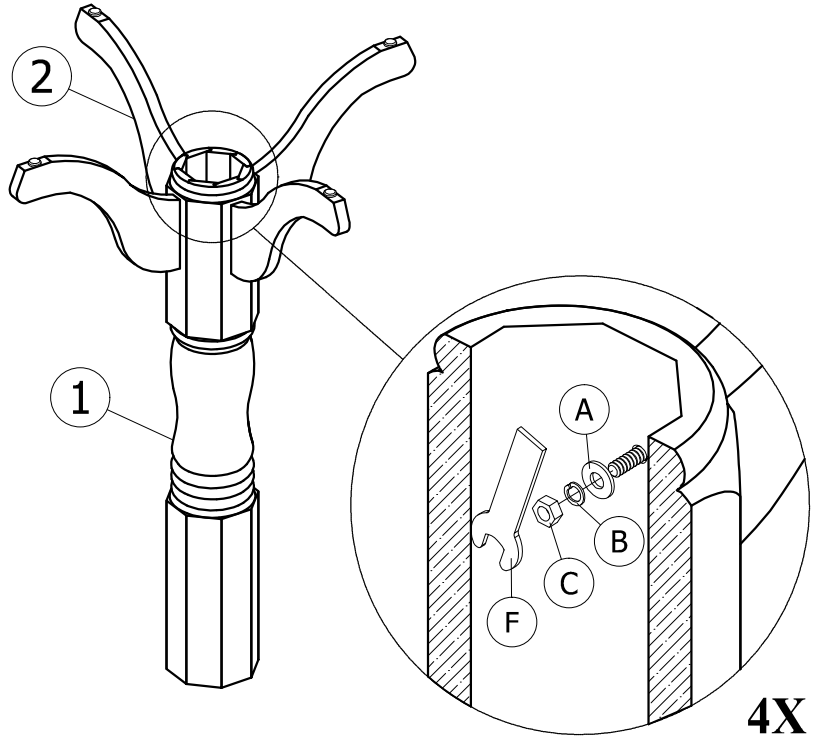


1 PC



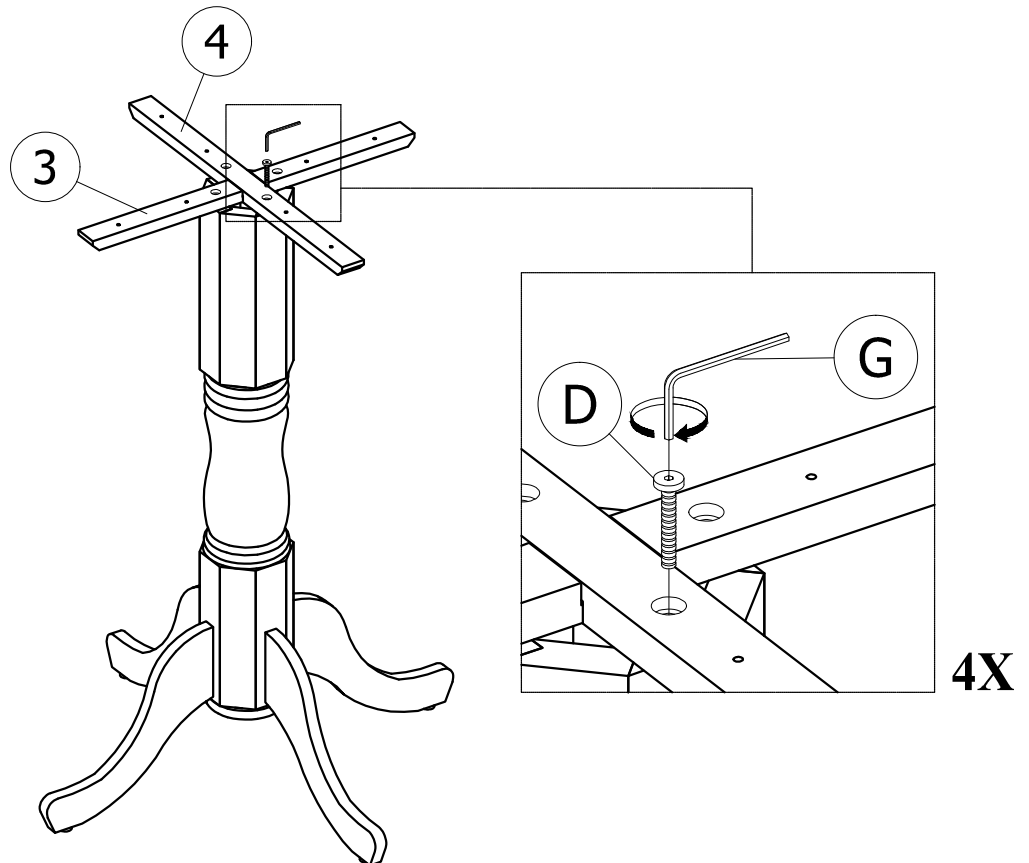
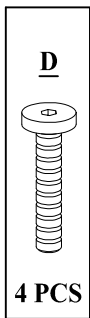
01

<u>A</u>	<u>B</u>	<u>C</u>
		
4 PCS	4 PCS	4 PCS



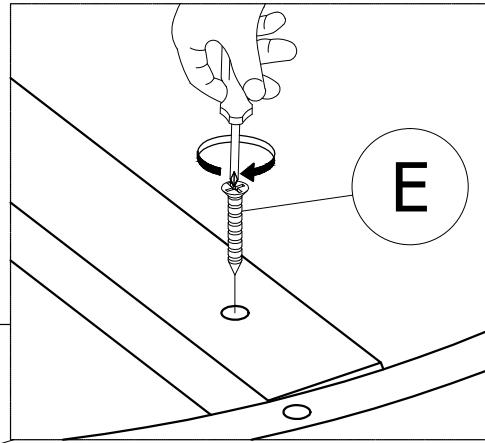
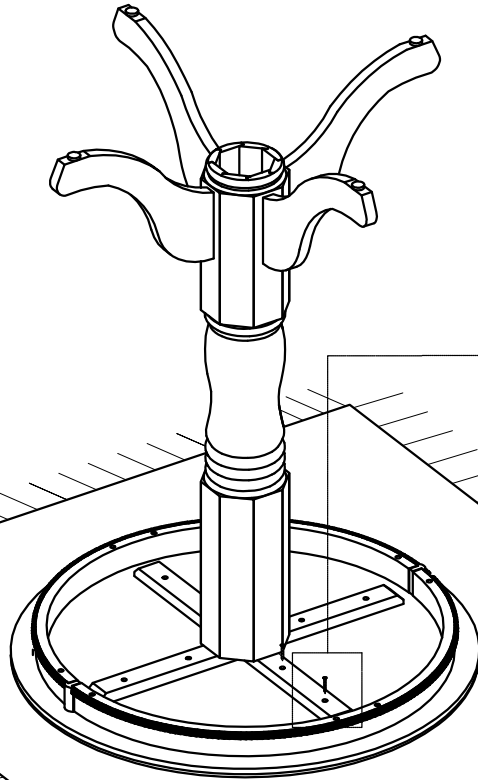
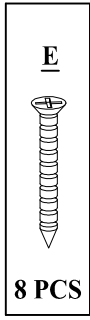
TIGHTEN HEX NUT COMPLETELY.

02



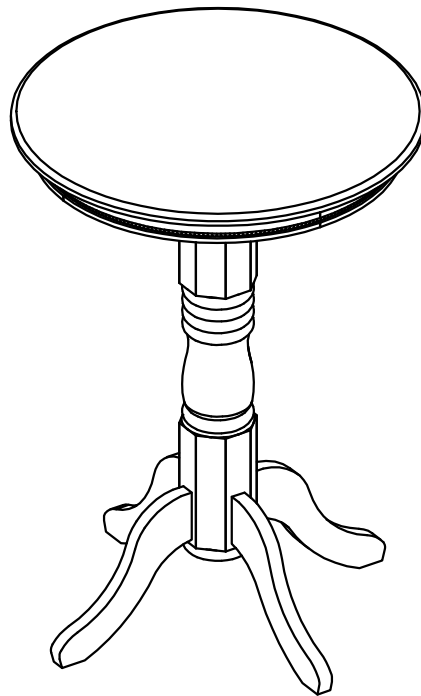
TIGHTEN BOLT COMPLETELY.

03



8X

TIGHTEN SCREW COMPLETELY.



BE SURE TO CHECK ALL BOLTS ARE SECURELY TIGHTENED PRIOR USING THIS TABLE