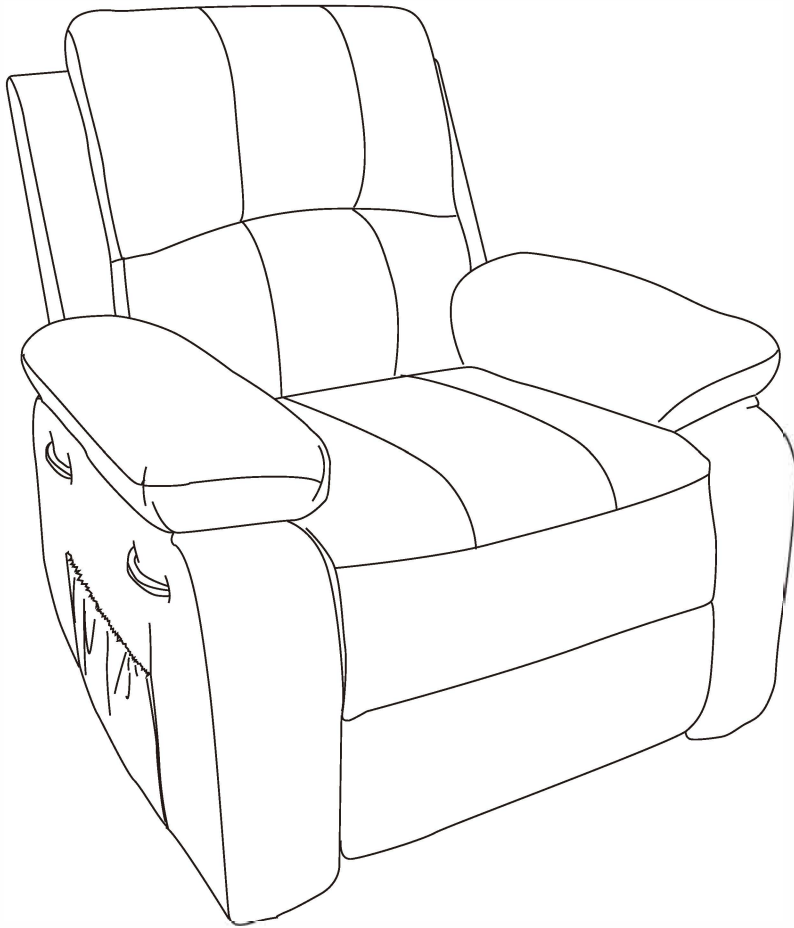


Recliner Chair



Receiving the package. If you have any questions or don't understand something, feel free to contact us. We hope the product brings you joy.

Recliner Assembly Instructions

Estimated Assembly
Time in Minutes

★ ☆ ☆
<15 <45 60+

Your recliner comes packaged in one box.

DO NOT use any sharp objects to open plastic wrapped components as damage to product or components may result.

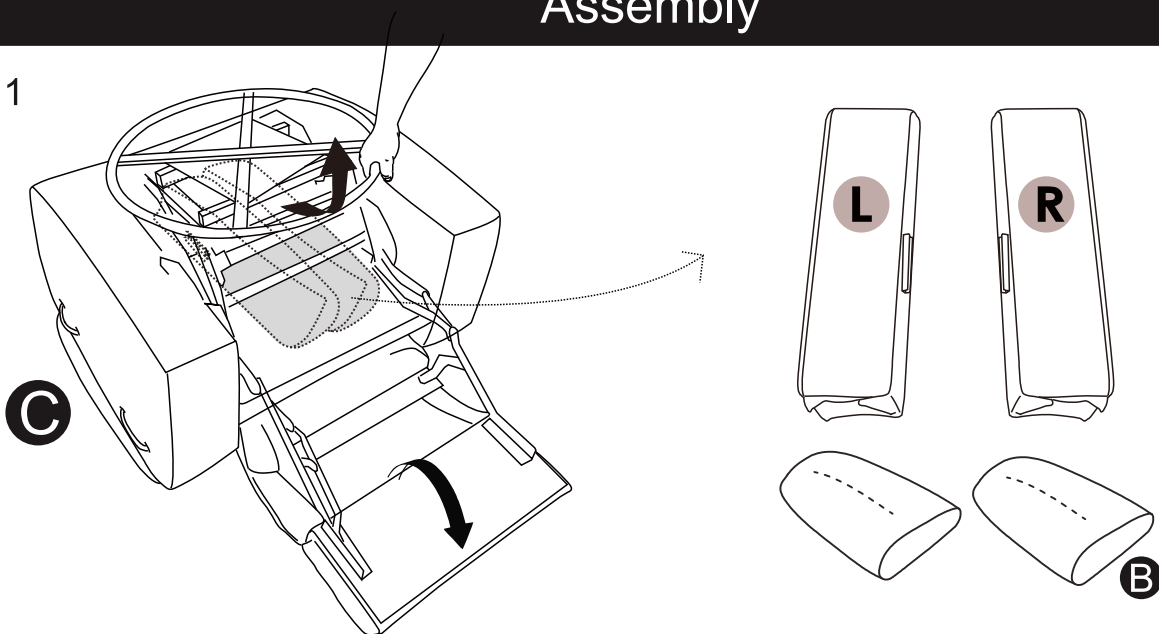
Carefully remove all of the components from the packaging and set aside for assembly. Assemble on a soft surface to prevent scratching the finish.

Parts List

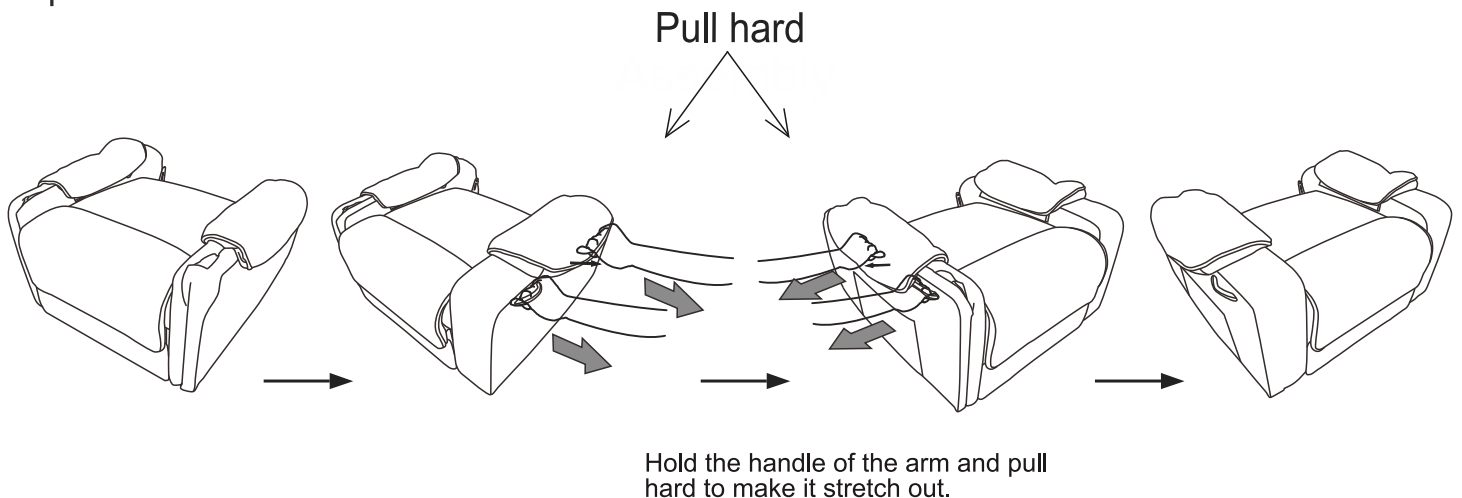


Assembly

Step 1

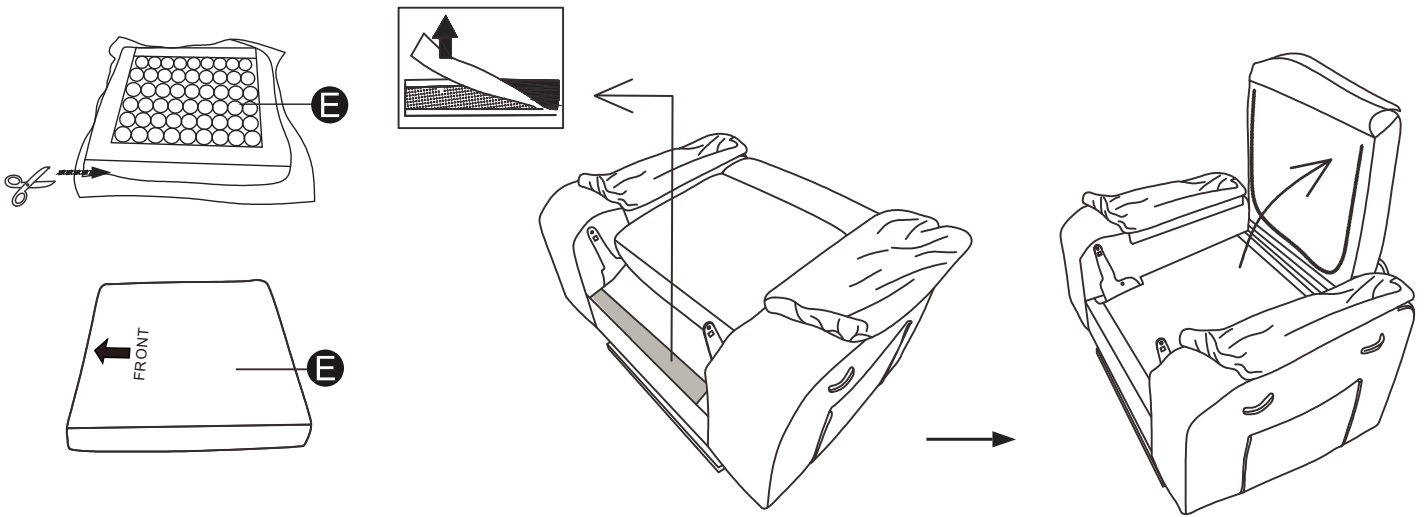


Step 2

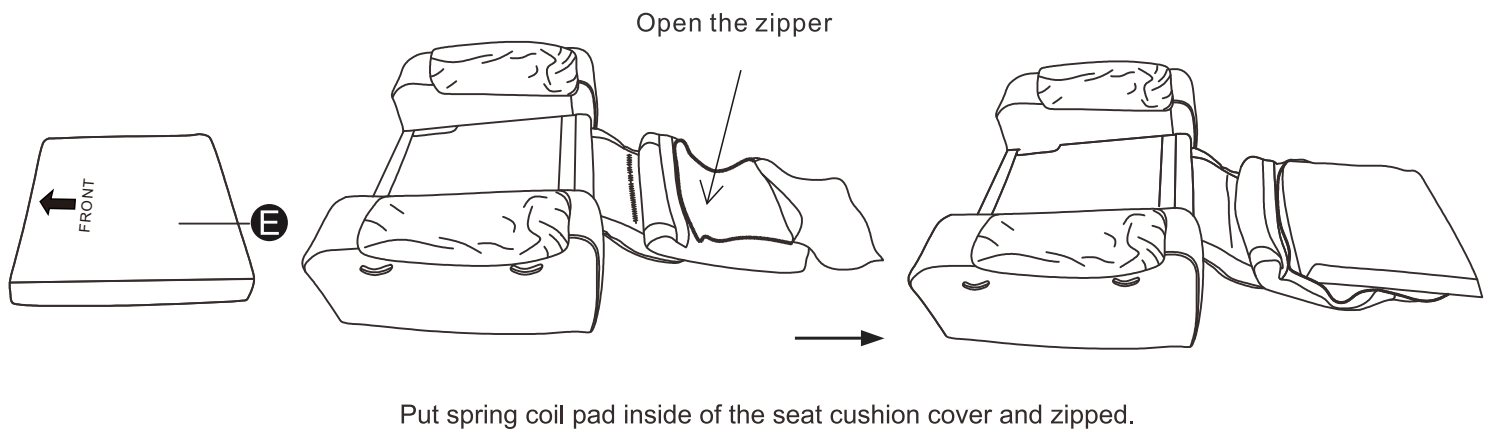


Assembly

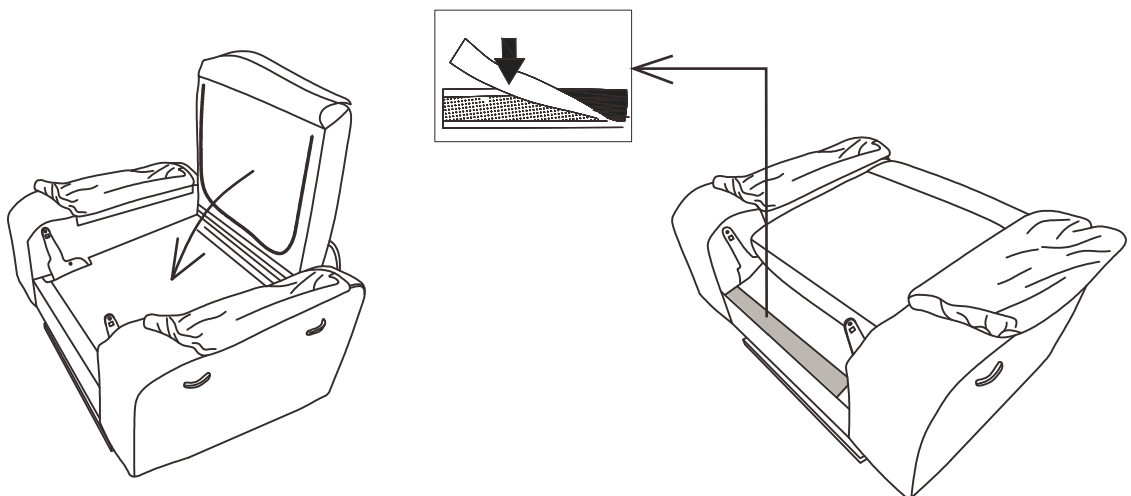
Step 3



Step 4



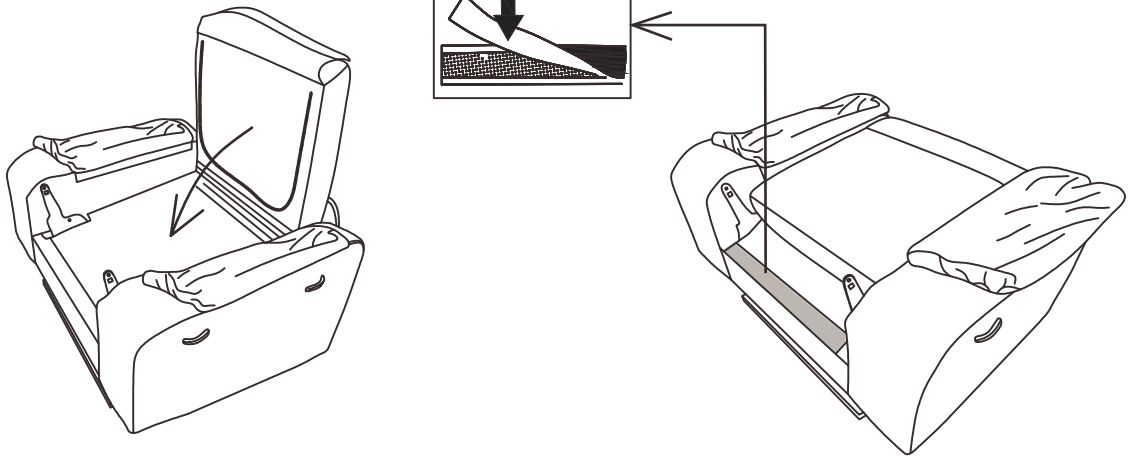
Step 5



Then put the whole seat cushion on the center of seat base correctly and tighten the velcro.

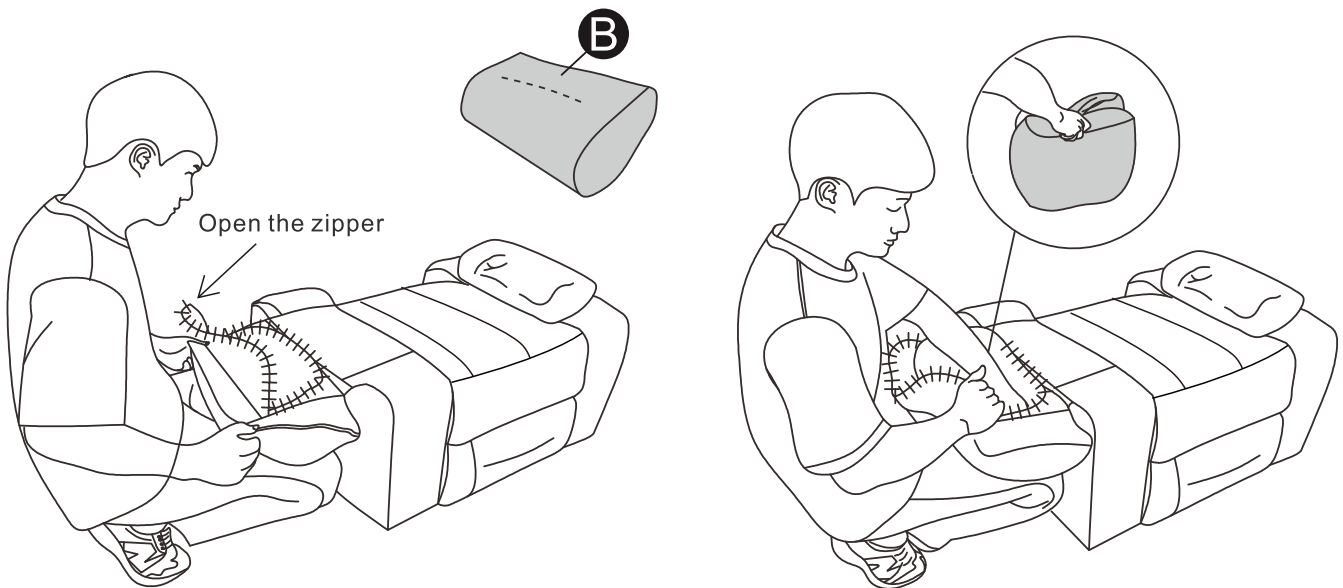
Assembly

Step 6

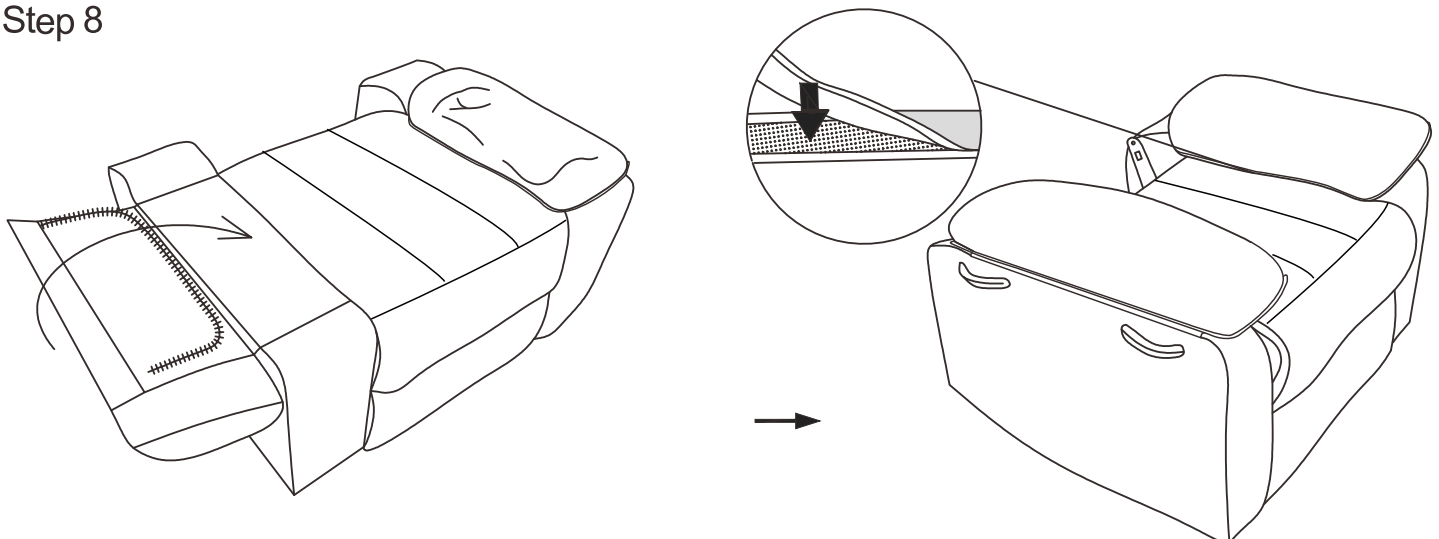


Then put the whole seat cushion on the center of seat base correctly and tighten the velcro.

Step 7

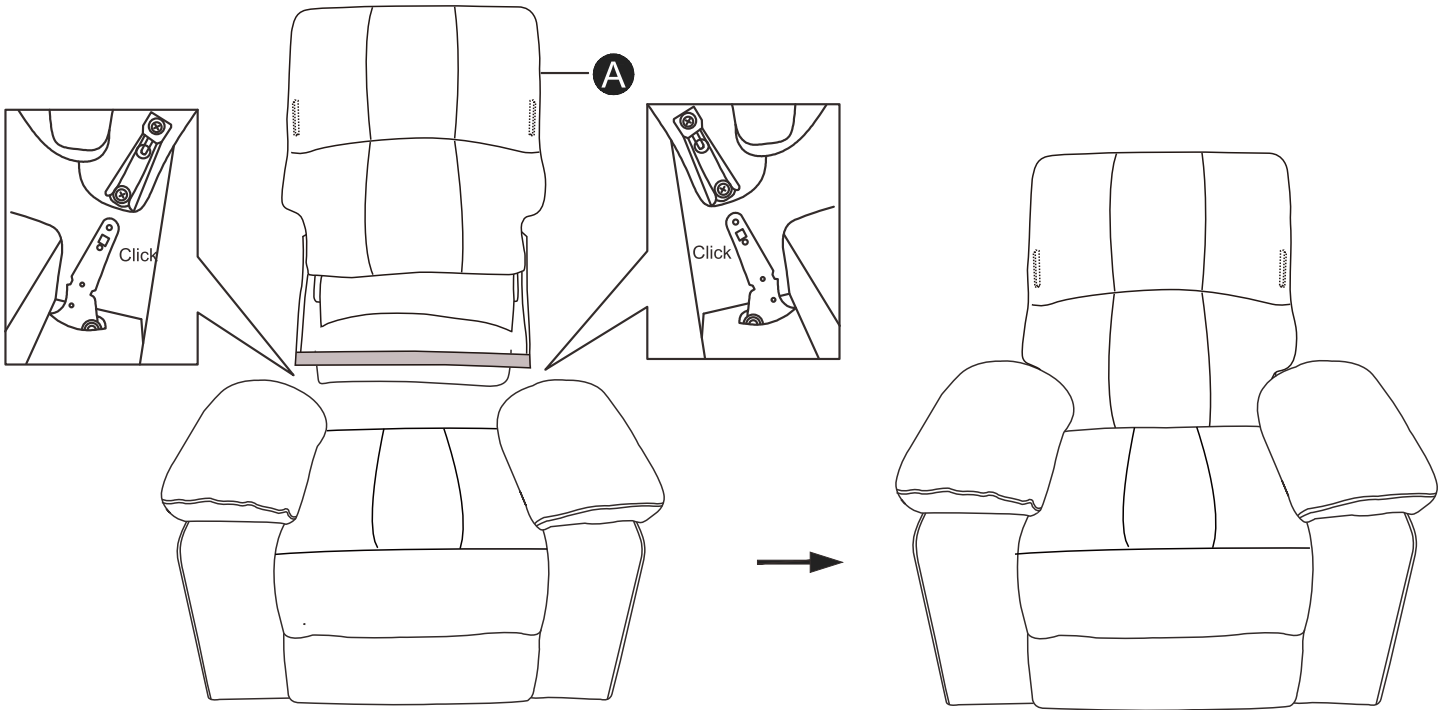


Step 8

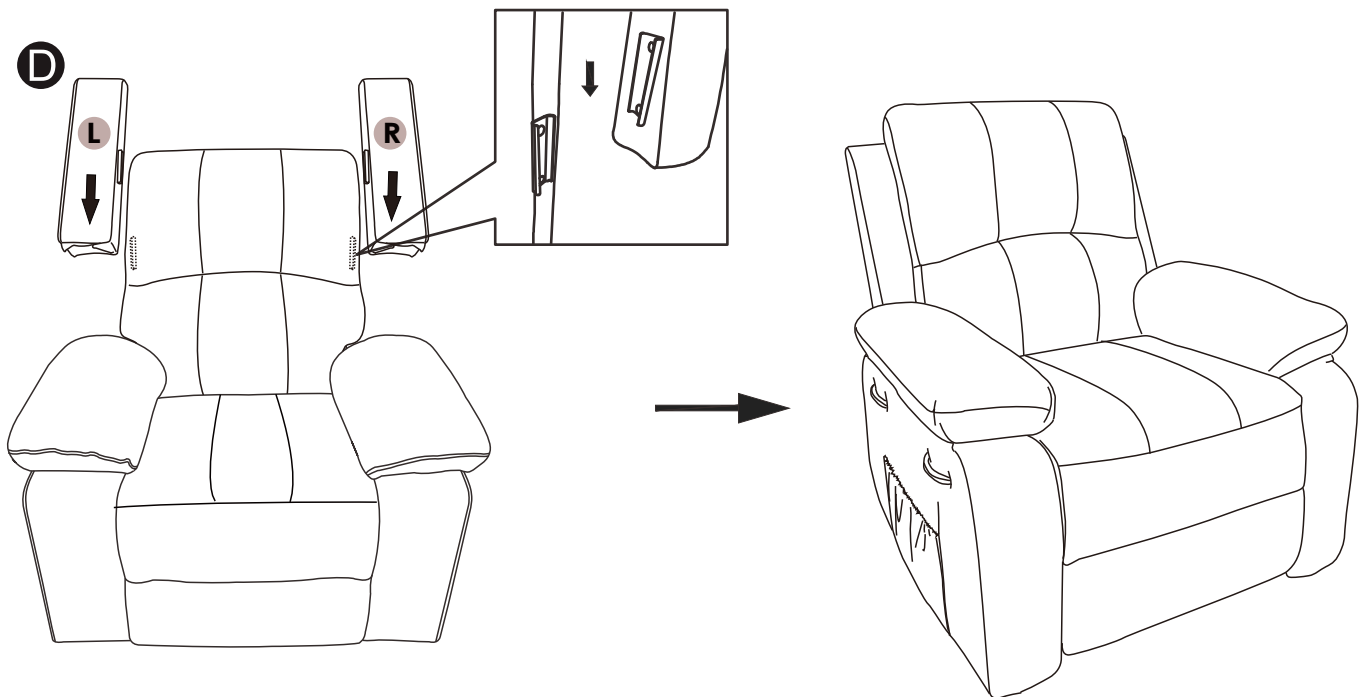


Assembly

Step 9

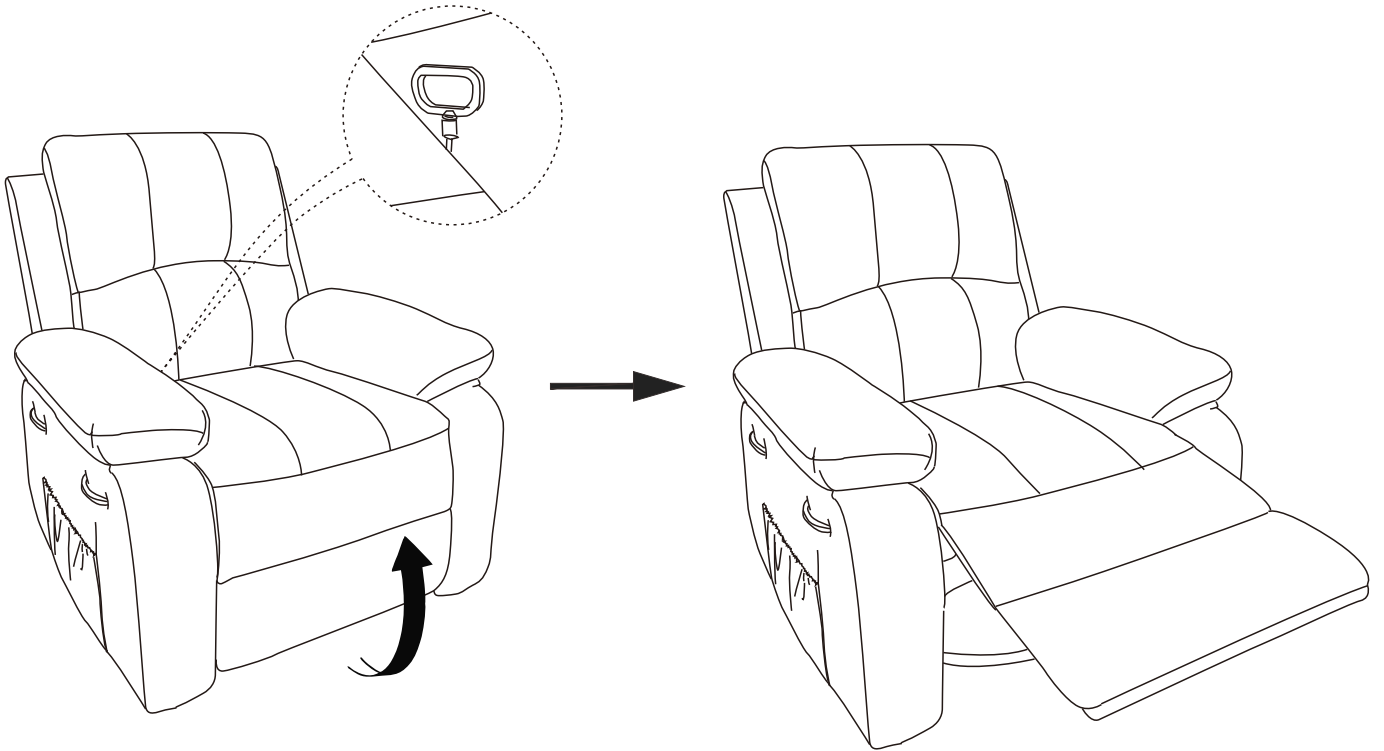


Step 10



Assembly

Step 11



Step 12

