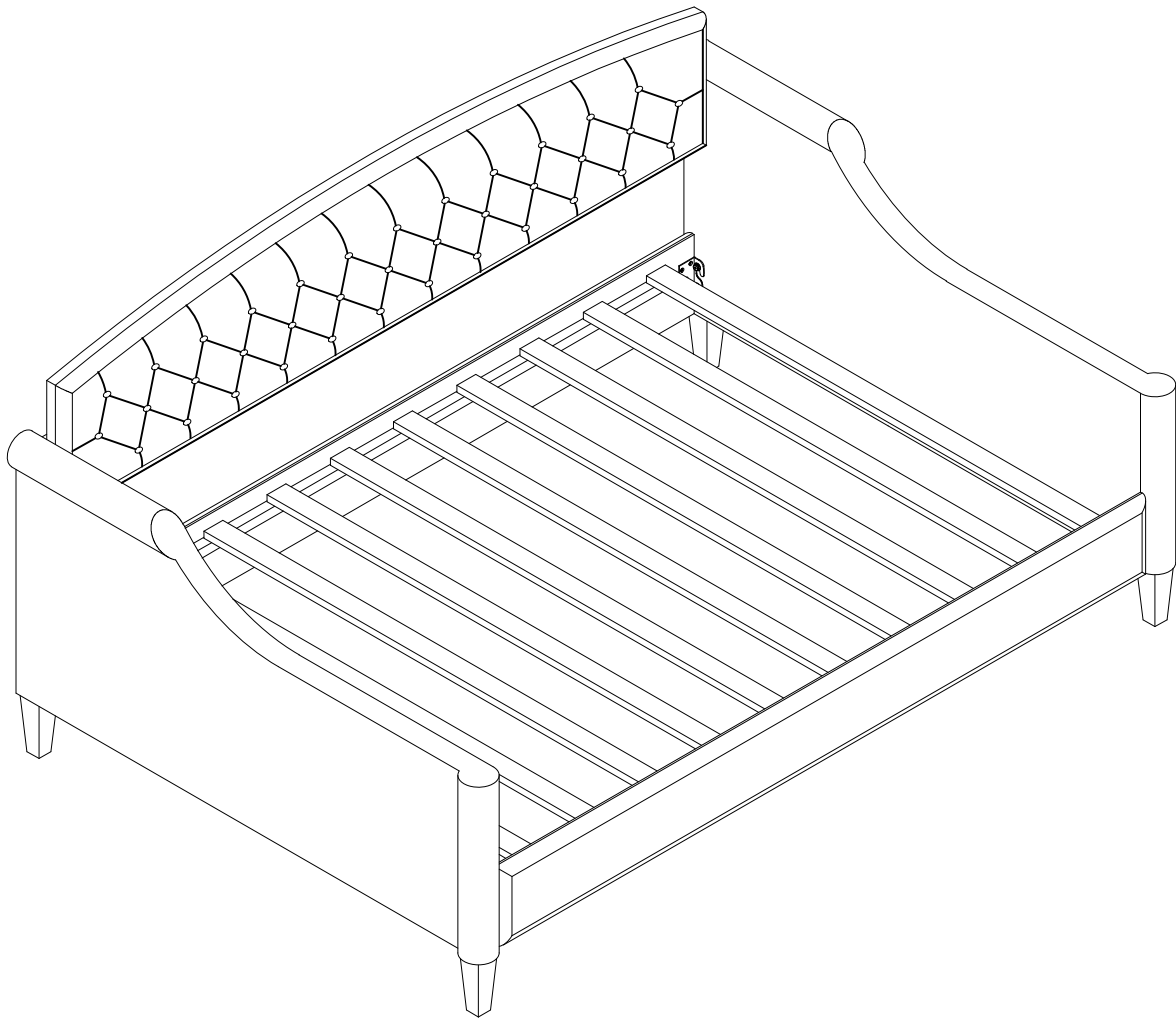
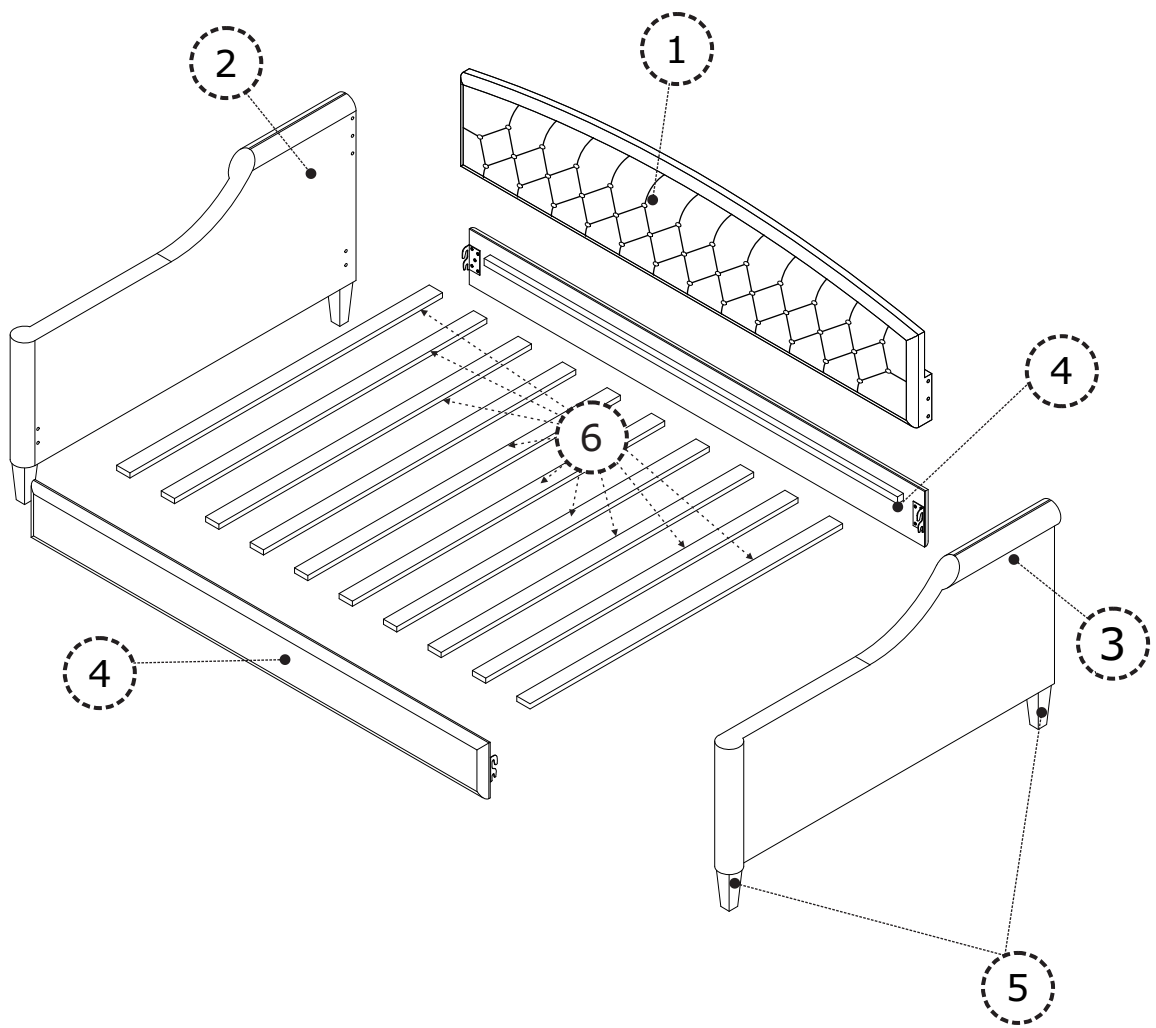


**WF312150**  
**WF312151**



# **ASSEMBLY INSTRUCTIONS**

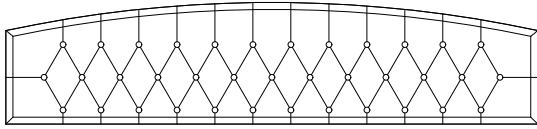


# PARTS

Check that you've received  
all parts listed below.

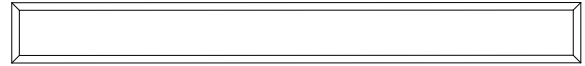
**BOX: 1/2**  
**WF312150**

1 x 1



Head Board

4 x 2



Rails

5 x 4



Legs

6 x 10



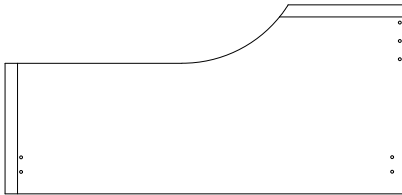
Slats

# PARTS

Check that you've received  
all parts listed below.

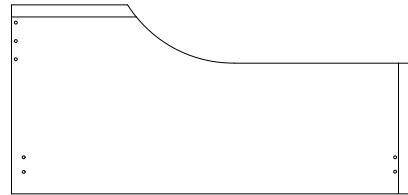
**BOX: 2/2**  
**WF312151**

2 x 1



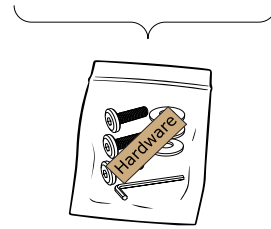
Side Board Left

3 x 1



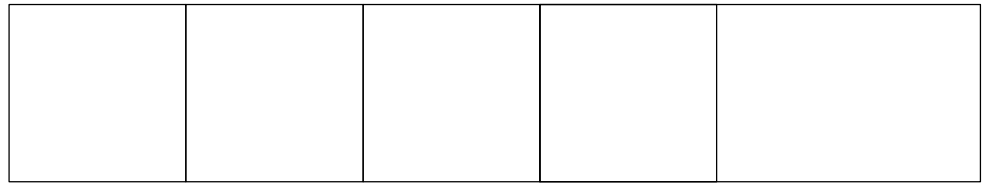
Side Board Right

## Hardware

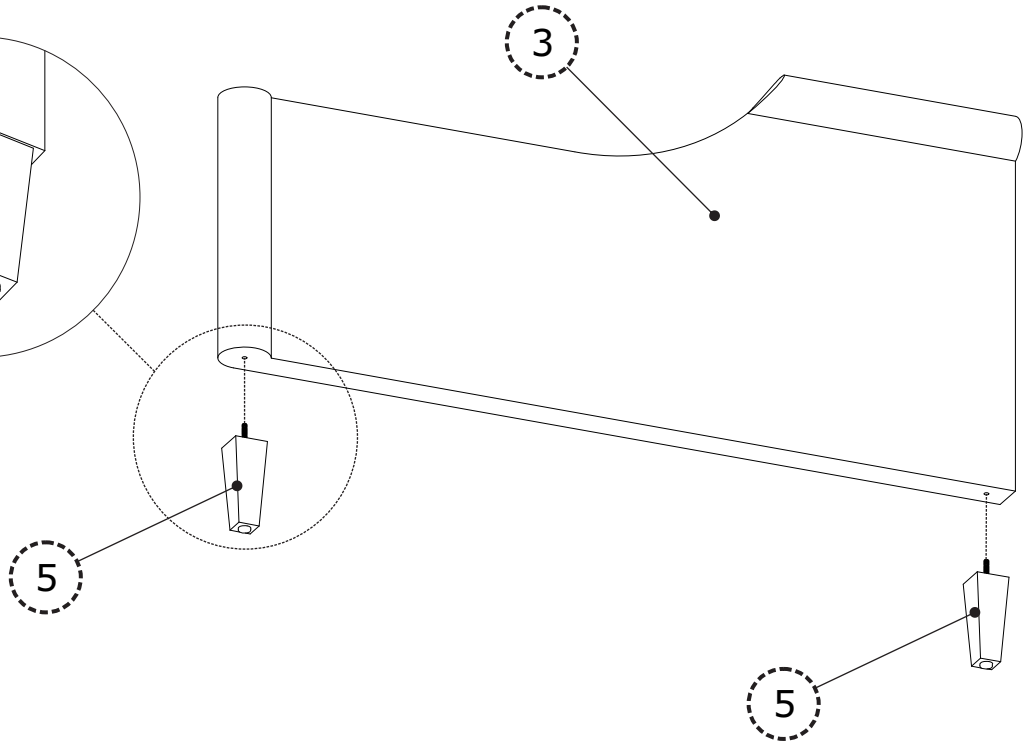
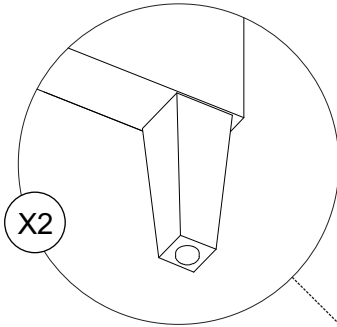




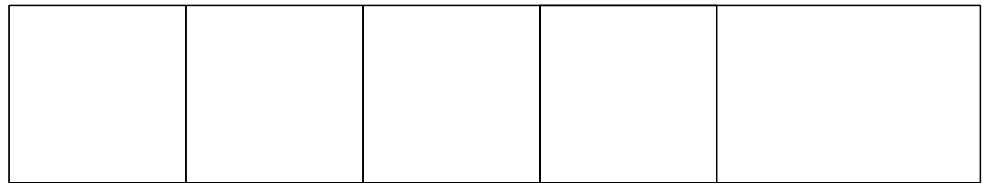
# STEP 1



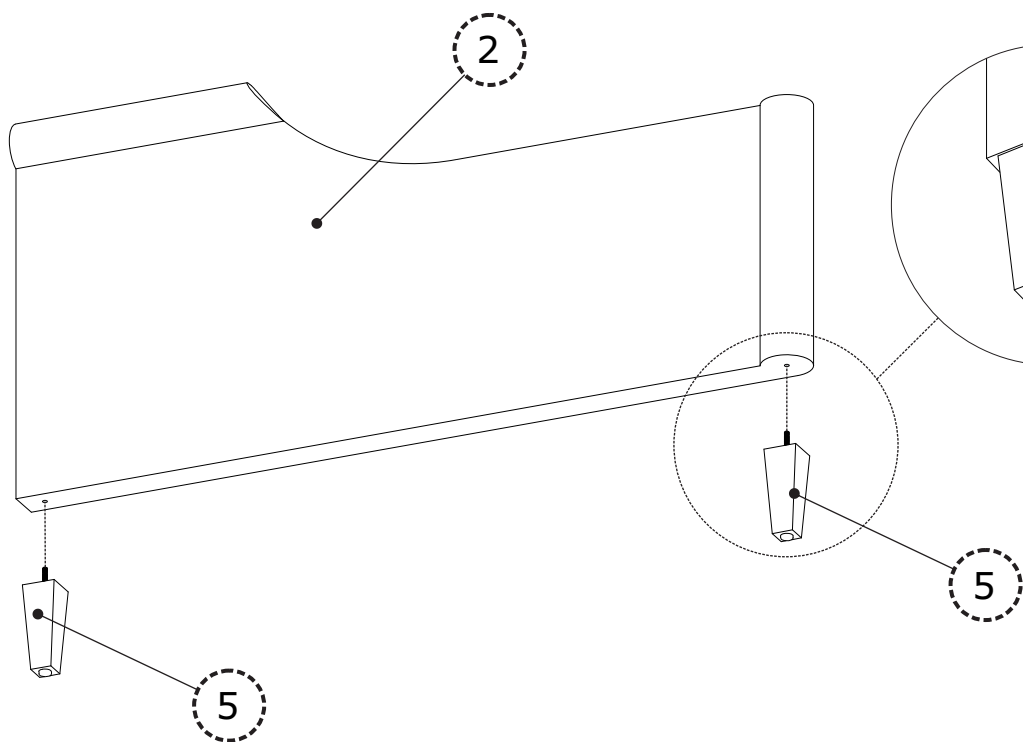
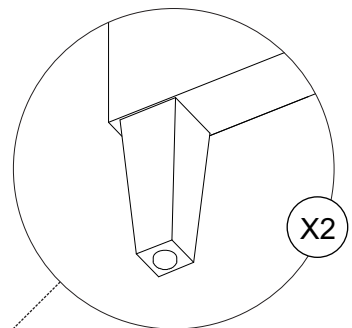
100%



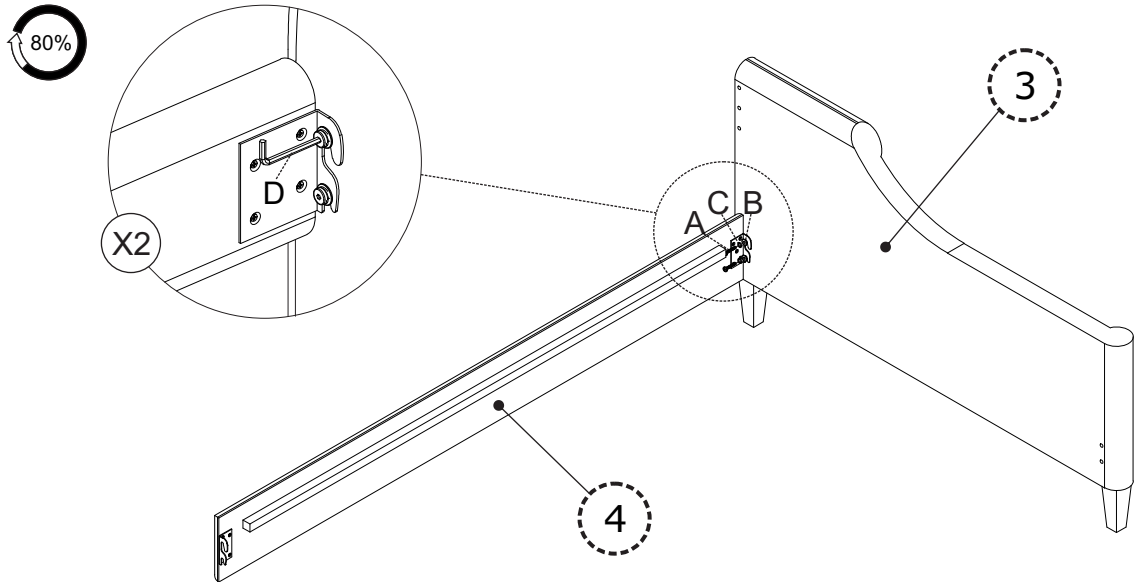
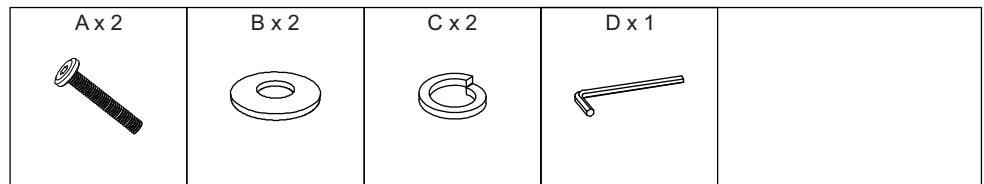
# STEP 2



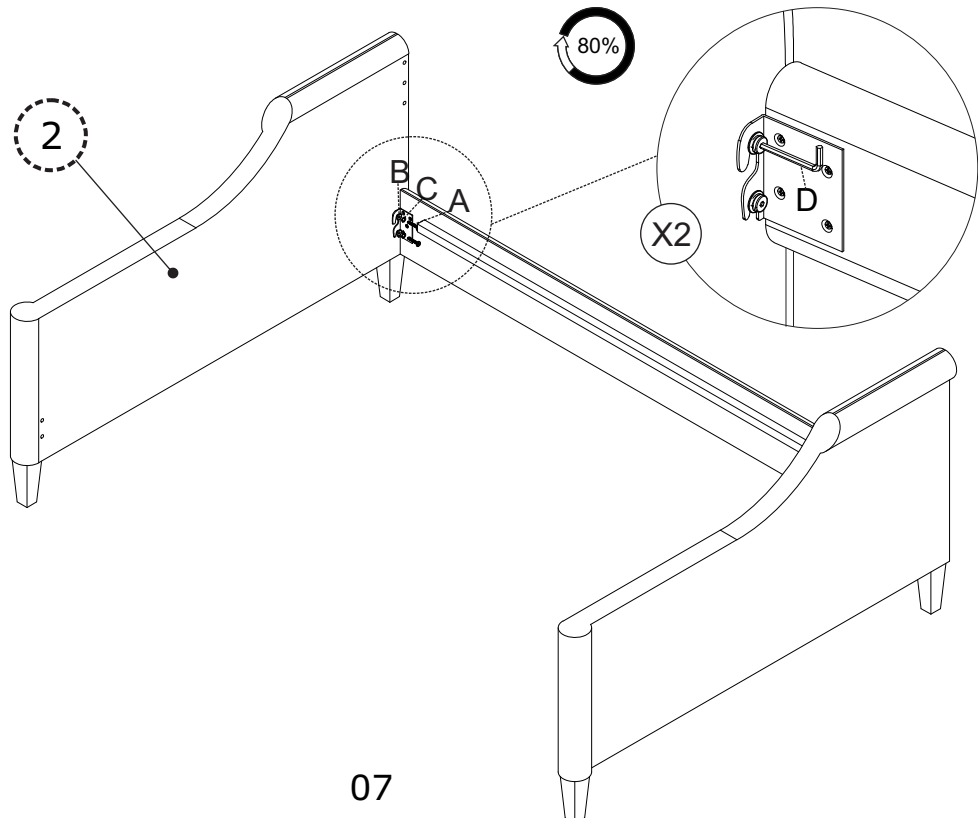
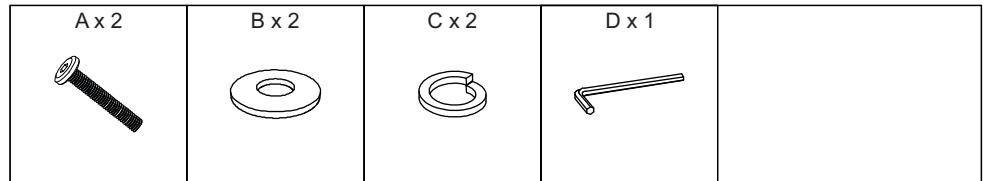
100%



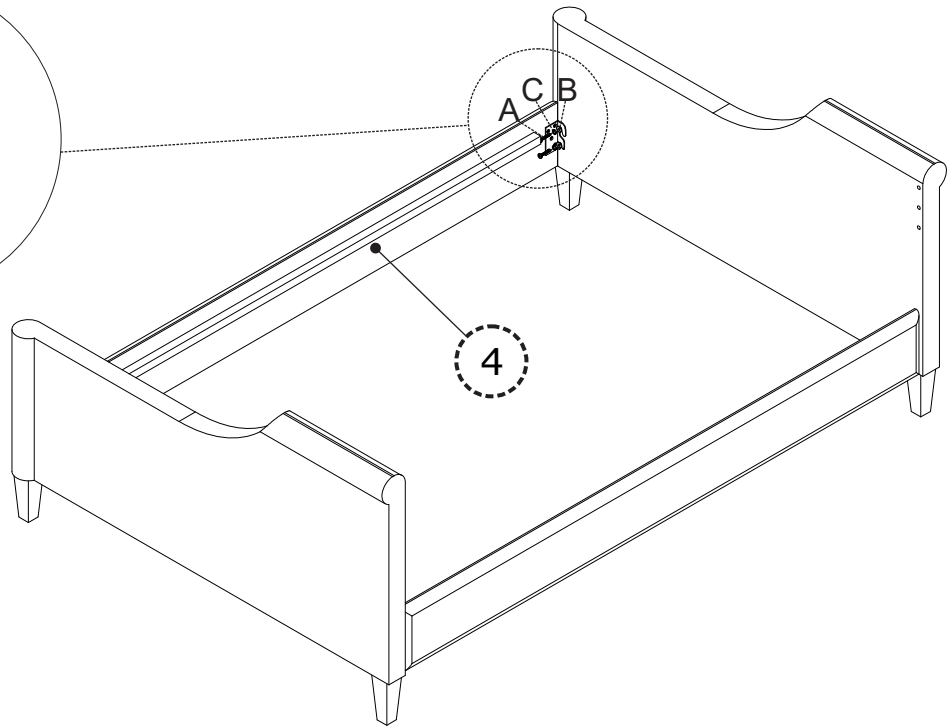
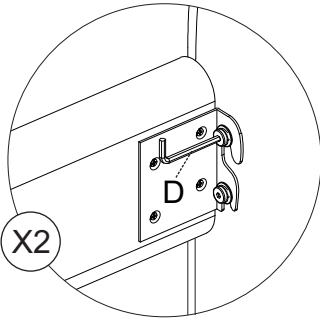
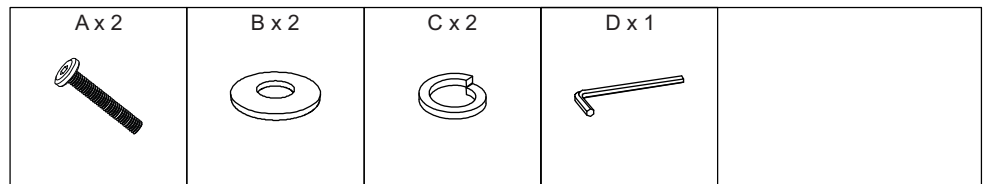
# STEP 3



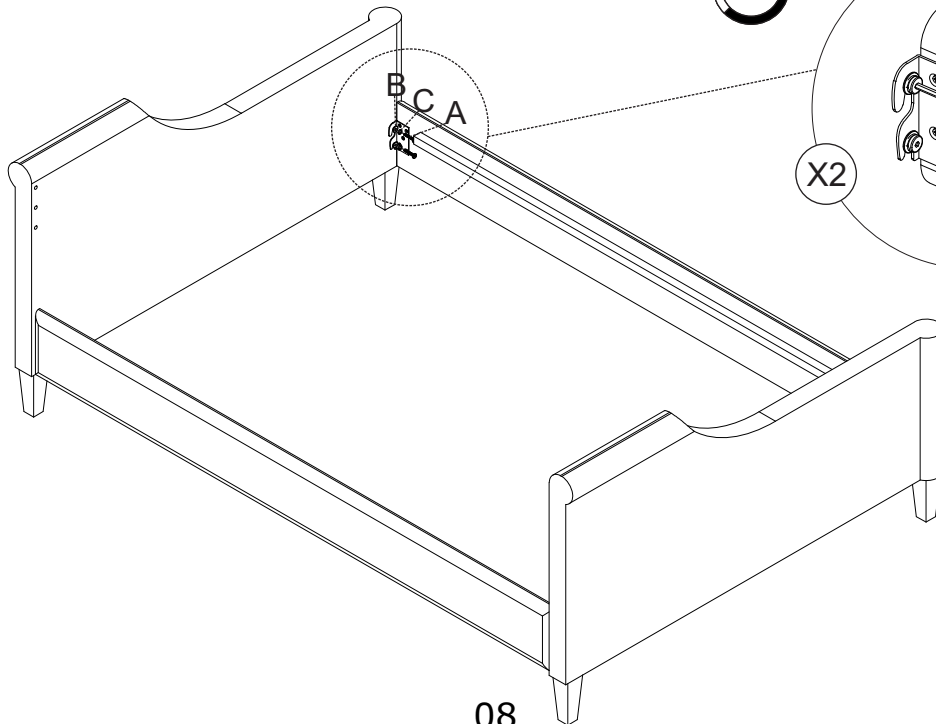
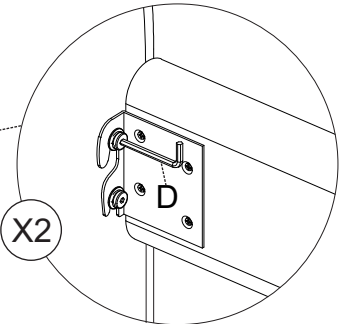
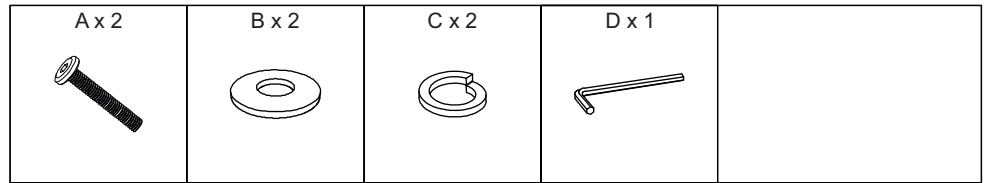
# STEP 4



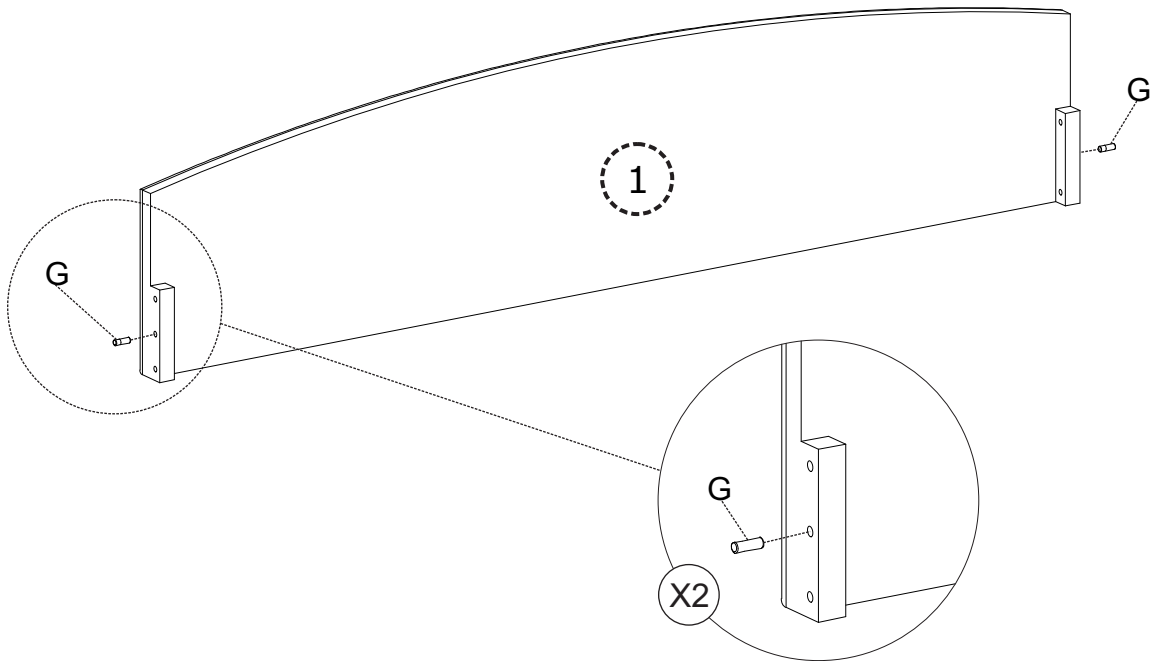
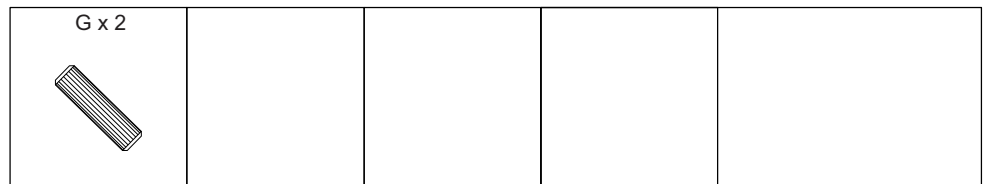
# STEP 5



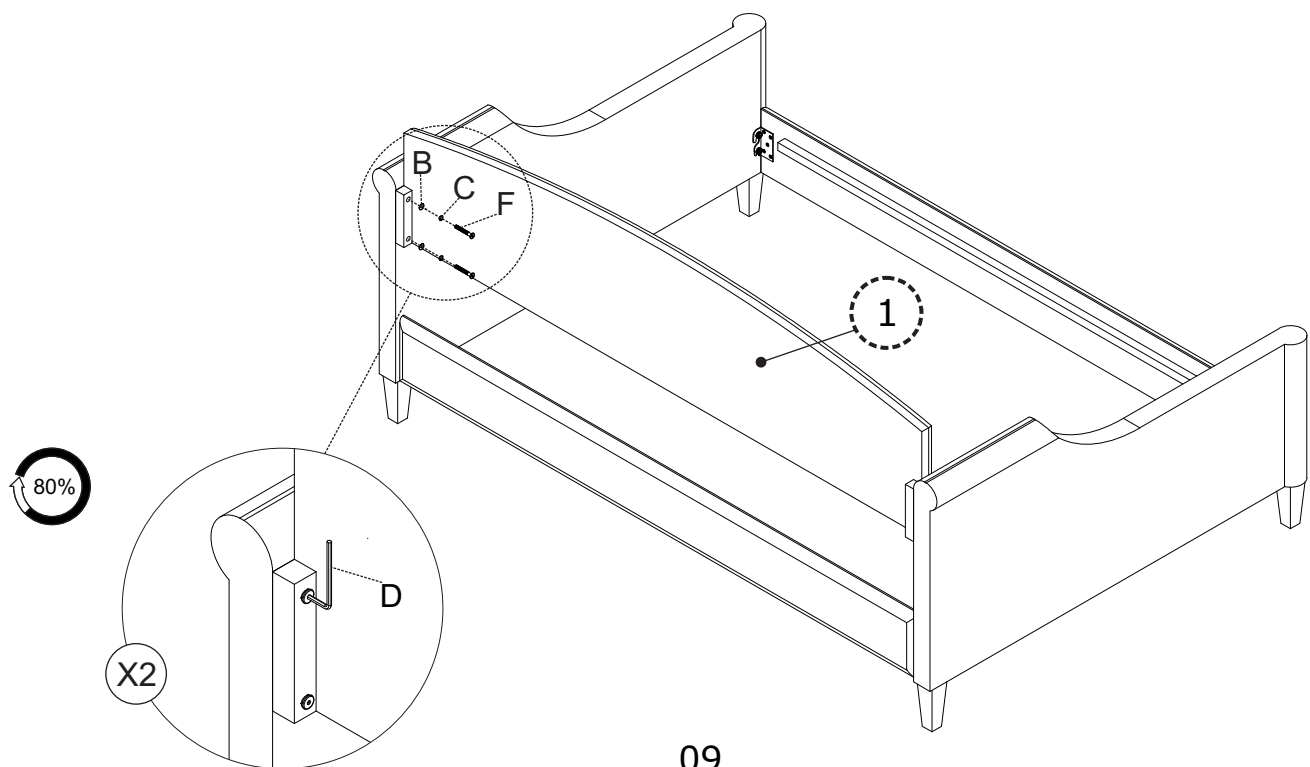
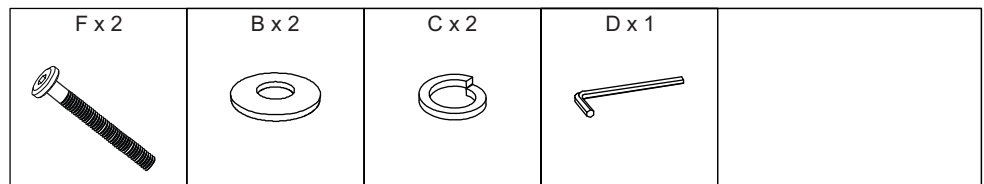
# STEP 6



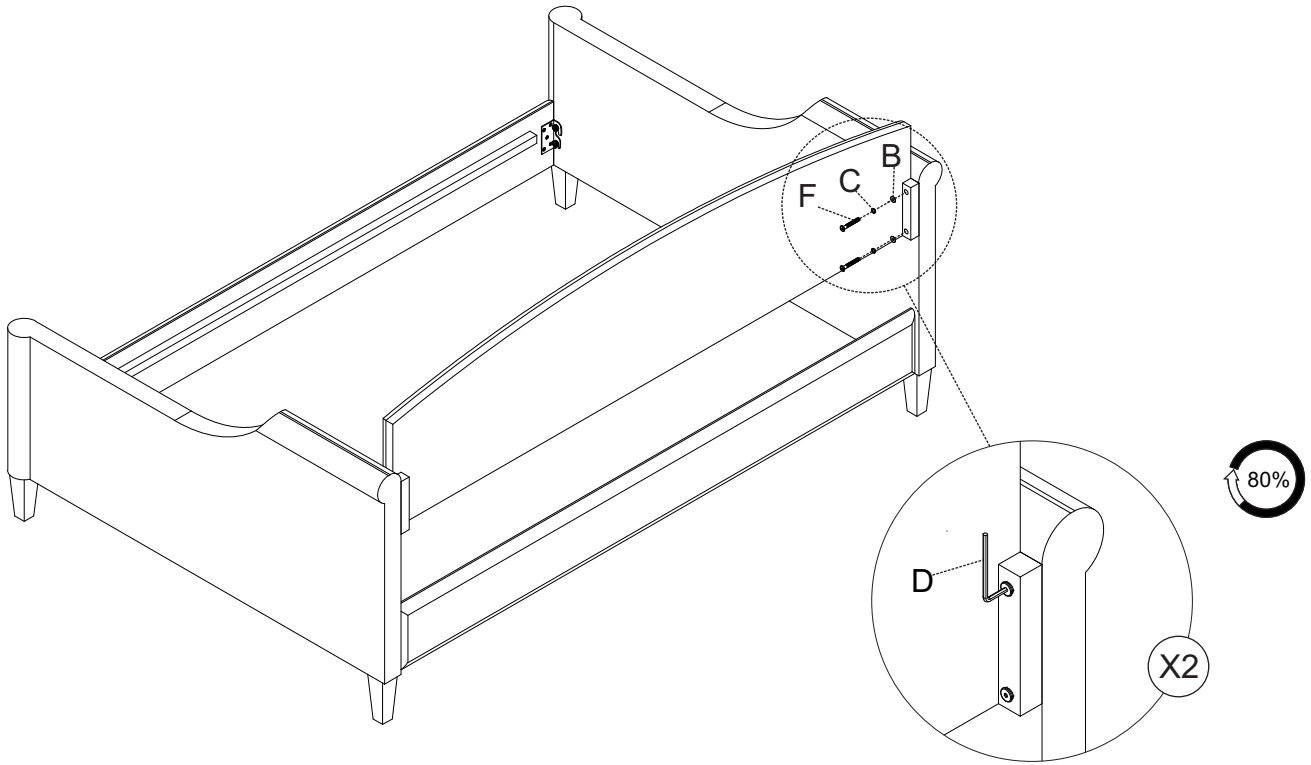
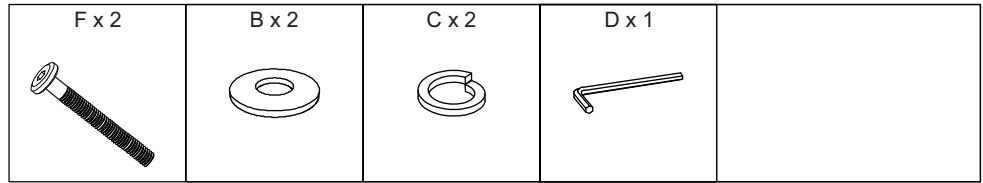
# STEP 7



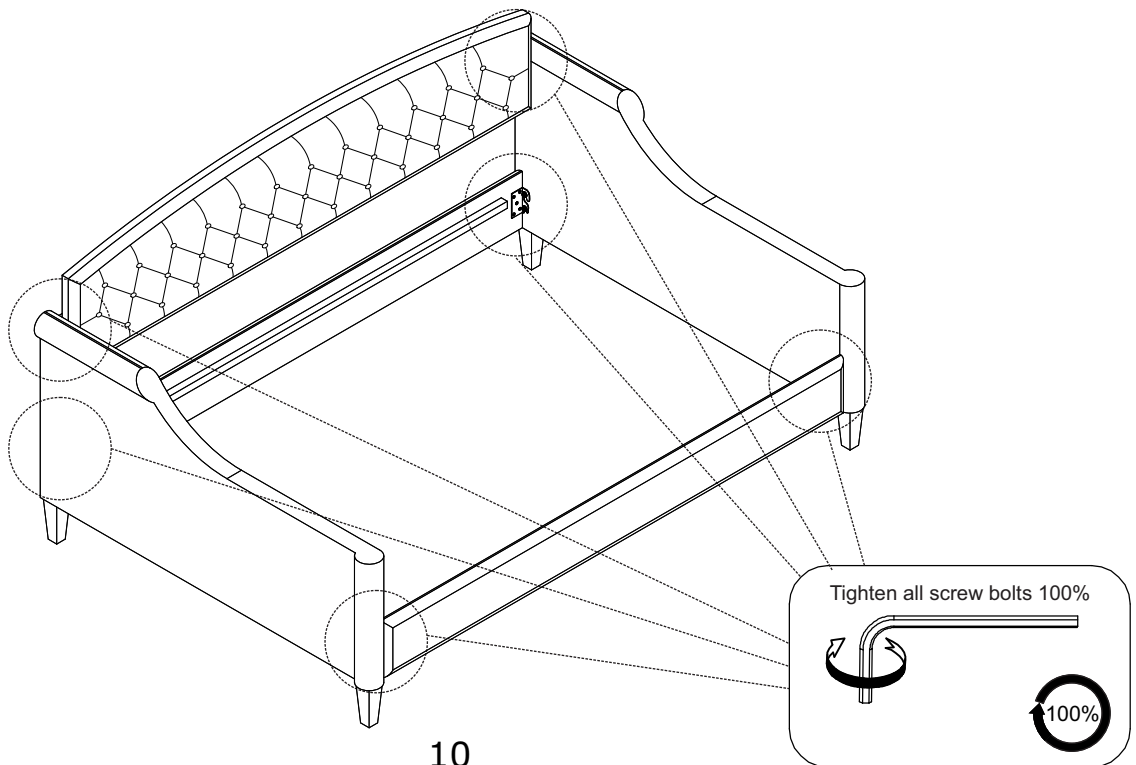
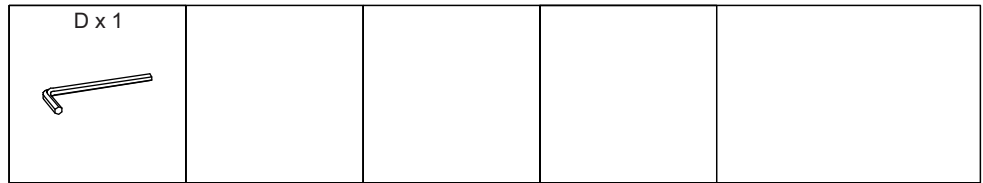
# STEP 8



# STEP 9



# STEP 10



# STEP 11

E x 20

