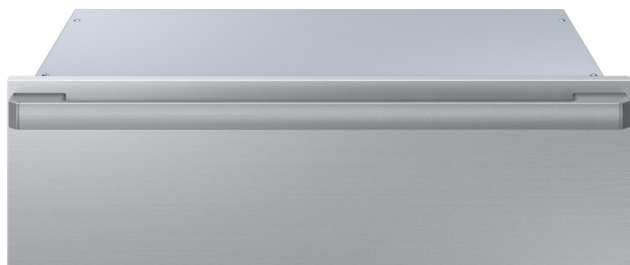


# 30-Inch Warming Drawer

**dacor**



**DWR30U900WS/DA** – Silver Stainless

## Features & Benefits

- 4 temperature levels
- 4 timer settings
- Electronic control panel

## Controls

<b>CONTROL TYPE</b>	Tactile Control
<b>KITCHEN TIMER</b>	Yes

Warming Drawer	
<b>CAPACITY (CU. FT.)</b>	1.6
<b>TEMPERATURE RANGE</b>	85°F to 220°F
<b>POWER</b>	500W
<b>MOIST / CRISP SELECTOR</b>	No
<b>APPROVED FOR OUTDOOR USAGE</b>	No

Weights & Dimensions	
<b>NET WEIGHT (LBS.)</b>	80.7
<b>SHIPPING WEIGHT (LBS.)</b>	90.4
<b>PRODUCT DIMENSIONS (W X H X D IN INCHES)</b>	29 ¾ x 9 ¾ x 24 ¼
<b>CUTOUT REQUIRED (W X H X D IN INCHES)</b>	28 ½ x 9 ½ x 24°

## Technical Details

<b>ELECTRICAL REQUIREMENTS</b>	120V, 60 Hz, 15A
--------------------------------	------------------

## Warranty

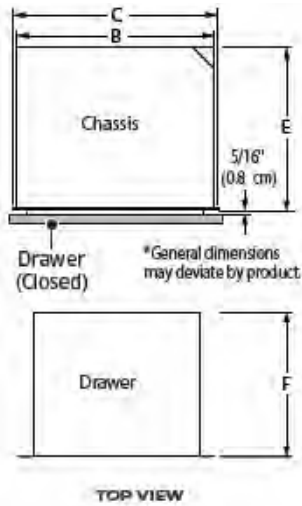
<b>FULL COVERAGE</b>	2 Years
----------------------	---------

# 30-Inch Warming Drawer

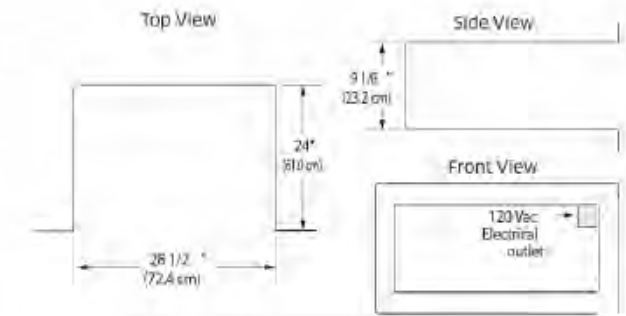


Appliance Dimensions	
<b>A - MOUNTING BRACKET WIDTH (IN/CM)</b>	28 5/16 / 71.9
<b>B - CHASSIS WIDTH (IN/CM)</b>	27 5/16 / 70.1
<b>C - CHASSIS FACE WIDTH (IN/CM)</b>	28 3/8 / 72.1
<b>D - MOUNTING BRACKET HEIGHT (IN/CM)</b>	8 15/16 / 22.7
<b>E - CHASSIS DEPTH (IN/CM)</b>	23 1/2 / 59.6
<b>F - DRAWER DEPTH (IN/CM)</b>	22 3/8 / 57.4
<b>G - CHASSIS HEIGHT (IN/CM)</b>	9 1/16 / 23
<b>H* - DRAWER FRONT WIDTH (IN/CM)</b>	29 3/4 / 75.6
<b>I* - DRAWER FRONT HEIGHT (IN/CM)</b>	9 3/8 / 23.9
<b>J* - DRAWER FRONT DEPTH (IN/CM)</b>	1 / 2.5

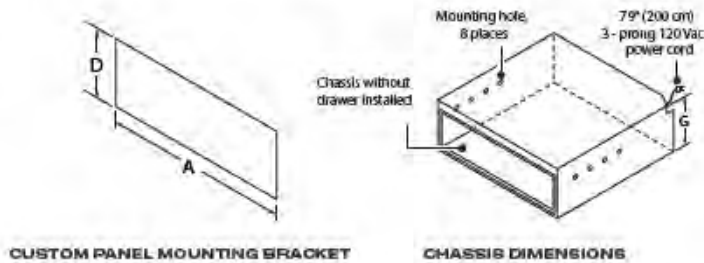
\* DWR30U900WS/DA, DWR30U900WM/DA models only



TOP VIEW

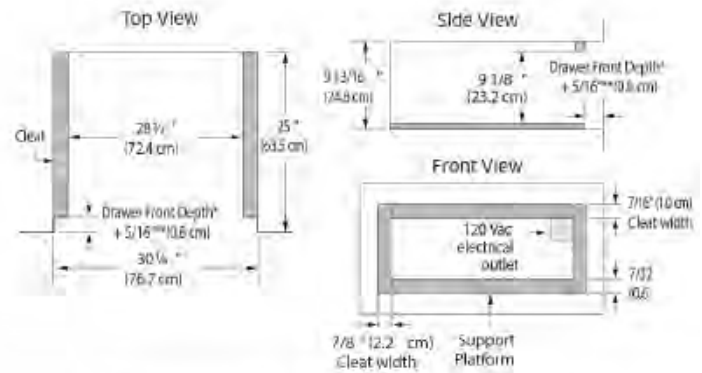


STANDARD INSTALLATION CUTOUT DIMENSIONS

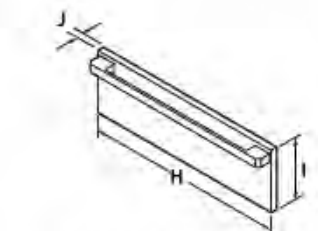


CUSTOM PANEL MOUNTING BRACKET

CHASSIS DIMENSIONS

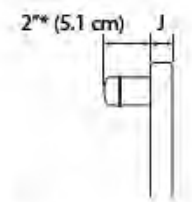


FLUSH INSTALLATION CUTOUT DIMENSIONS



DRAWER FRONT DIMENSIONS

(Recommended Custom Panel Width and Height Only, Custom Panel depth may vary.)



HANDLE DIMENSION

Model numbers, specifications and prices are subject to change at any time without notice. Visit [dacor.com](http://dacor.com) for the most up-to-date information. | Effective October 25, 2024