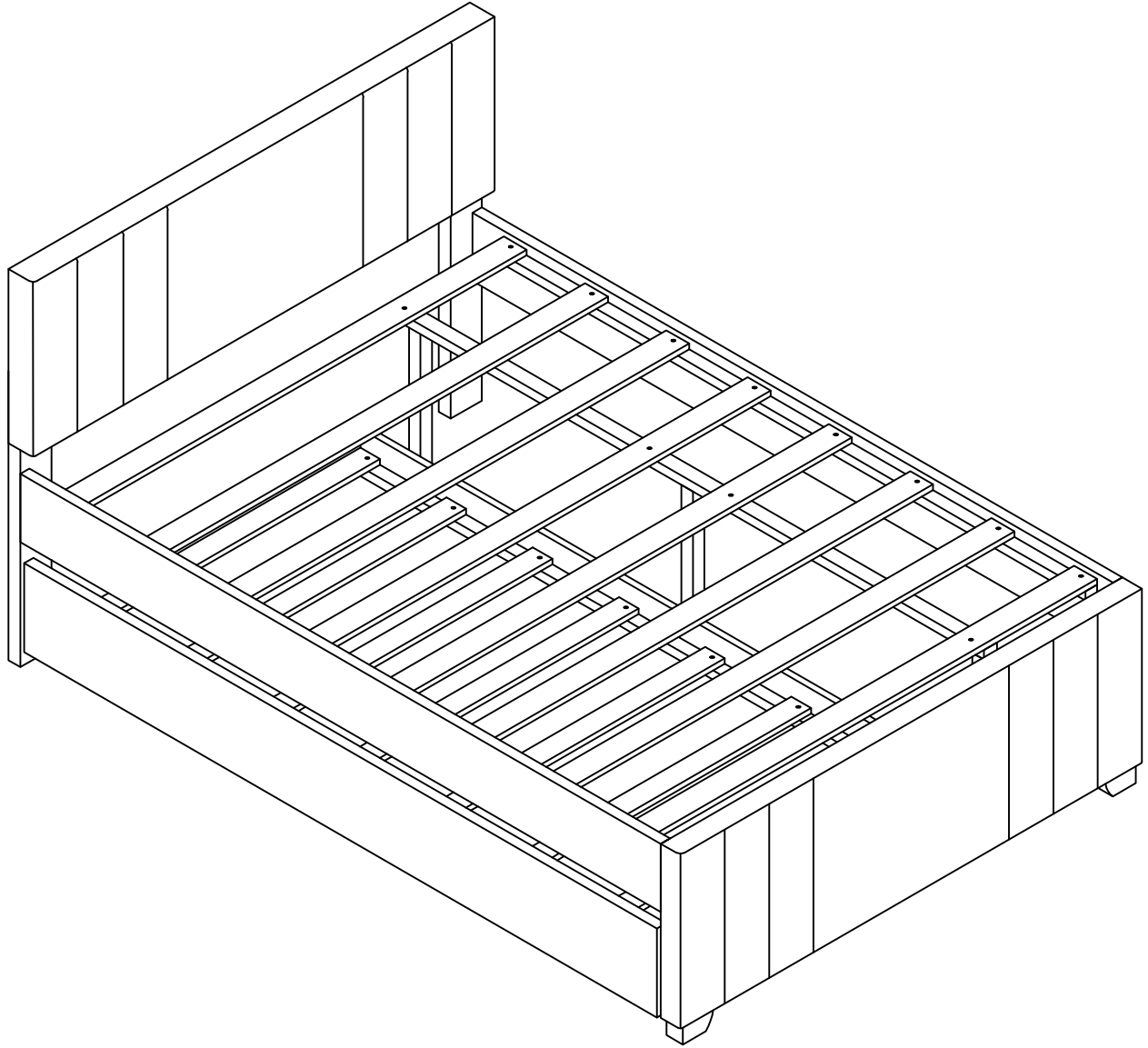


# ASSEMBLY INSTRUCTIONS

WF 294633/ WF 294634



## IMPORTANT NOTE

**\*\*PLACE ALL PARTS ON A CLEAN AND SMOOTH SURFACE SUCH AS A RUG OR CARPET TO**

**AVOID THE PARTS FROM BEING SCRATCHED**

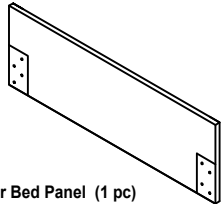
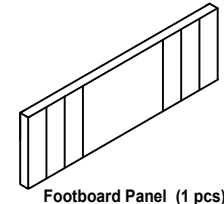

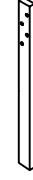
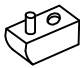


**\*\* BEFORE YOU BEGIN , KINDY FOLLOW THE ASSEMBLY INSTRUCTIONS STEP BY STEP**

**\*\*DO NOT TIGHTEN ALL SCREWS AND BOLTS UNTIL THE BED IS FULLY SET-UP**

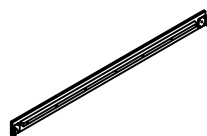
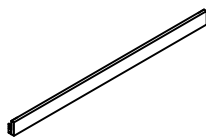
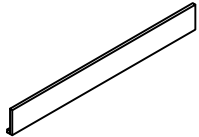

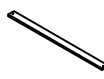

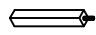
# ASSEMBLY INSTRUCTIONS

WF 294633/ WF 294634

## PART LIST BOX 1: WF 294633

<b>1</b>  Lower Bed Panel (1 pc)	<b>2</b>  Footboard Panel (1 pcs)	
<b>3</b>  Left Metal Plate (1 pc)	<b>4</b>  Right Metal Plate (1 pc)	<b>5</b>  Leg (2 pcs)
<b>6</b>  Roll Slat (8 pcs) 1365*60*15	<b>7</b>  ( m59x42mmx66mm) Wheels (4 pcs)	

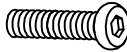

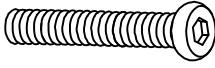
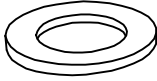
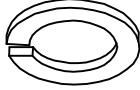

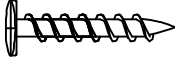
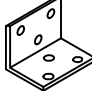
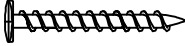
## PART LIST BOX 2: WF 294634

<b>8</b>  Left Lower Rail (1 pc)	<b>9</b>  Right Lower Rail (1pc)	<b>10</b>  Front Panel Trundle (1 pc)
<b>11</b>  Back Panel Trundle ( 1 pc)	<b>12</b>  Roll Slat (8 pcs) 985*60*15	<b>13</b>  Center Rail (1 pc)
<b>14</b>  Bed Slat-Support With Leveler ( 3 pcs)		

# ASSEMBLY INSTRUCTIONS

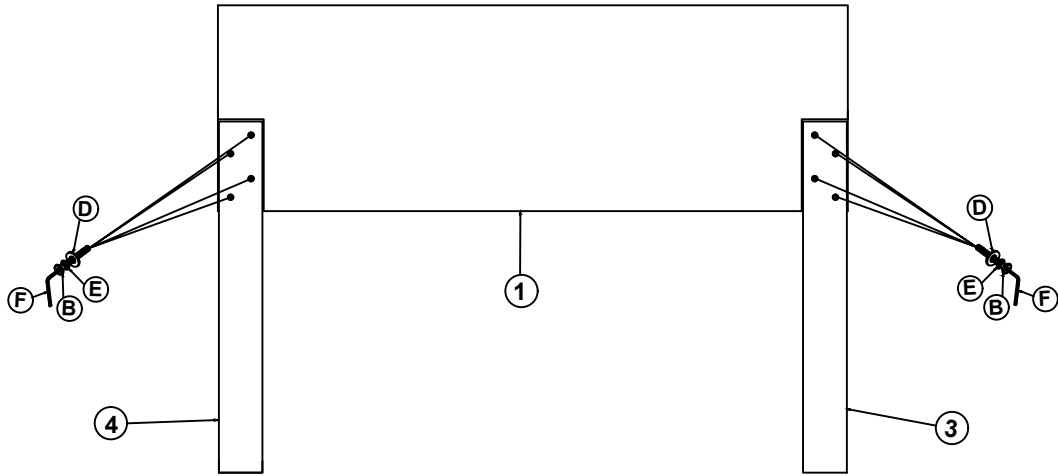
WF 294633/ WF 294634





HARDWARE LIST IN WF 294633

<p><b>A</b></p>  <p>(Ø 5/16 "X25mm) <b>Short Bolt (8pcs)</b></p>	<p><b>B</b></p>  <p>(Ø 5/16 "X38mm) <b>Long Bolt (8 pcs)</b></p>	<p><b>C</b></p>  <p>(Ø 5/16 "X45mm) <b>Long Bolt (2 pcs)</b></p>
<p><b>D</b></p>  <p>(Ø 5/16 "-RBW) <b>Flat Washer (18 pcs)</b></p>	<p><b>E</b></p>  <p>(Ø 5/16 "-RBW) <b>Spring Washer (18 pcs)</b></p>	<p><b>F</b></p>  <p>(M4x75mm x32mm) <b>Allen Wrench (1 pc)</b></p>
<p><b>G</b></p>  <p>(m4x20mm-RBW) <b>Flat Head Screw (40 pcs)</b></p>	<p><b>H</b></p>  <p>(38mmx38mmx25mmx2mm) <b>Square Patch (4 pcs)</b></p>	<p><b>I</b></p>  <p>(m4x30mm-RBW) <b>Flat Head Screw (36 pcs)</b></p>

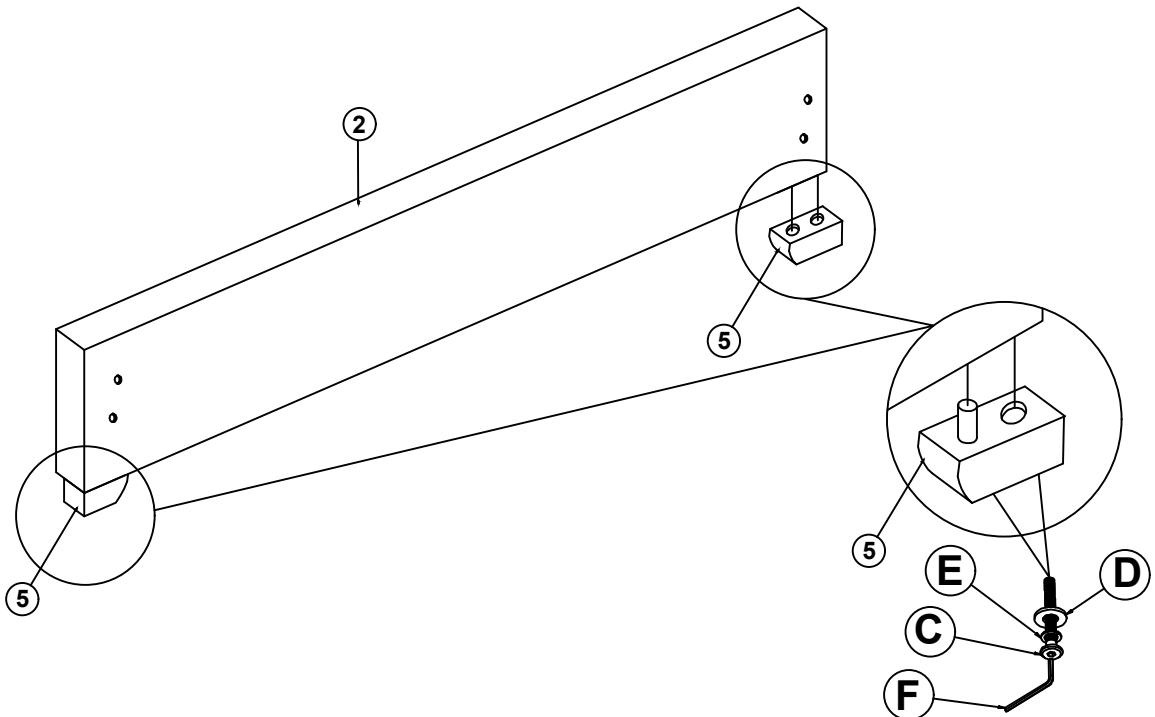
# ASSEMBLY INSTRUCTIONS





## STEP 1



B	<b>Bolt</b> (Ø 5/16 "X38mm)		8pcs	D	<b>Flat Washer</b> (Ø 5/16 "-RBW)		8pcs
E	<b>Spring Washer</b> (Ø 5/16 "-RBW)		8pcs	F	<b>Allen Wrench</b> (M5x75mm x32mm)		1pc

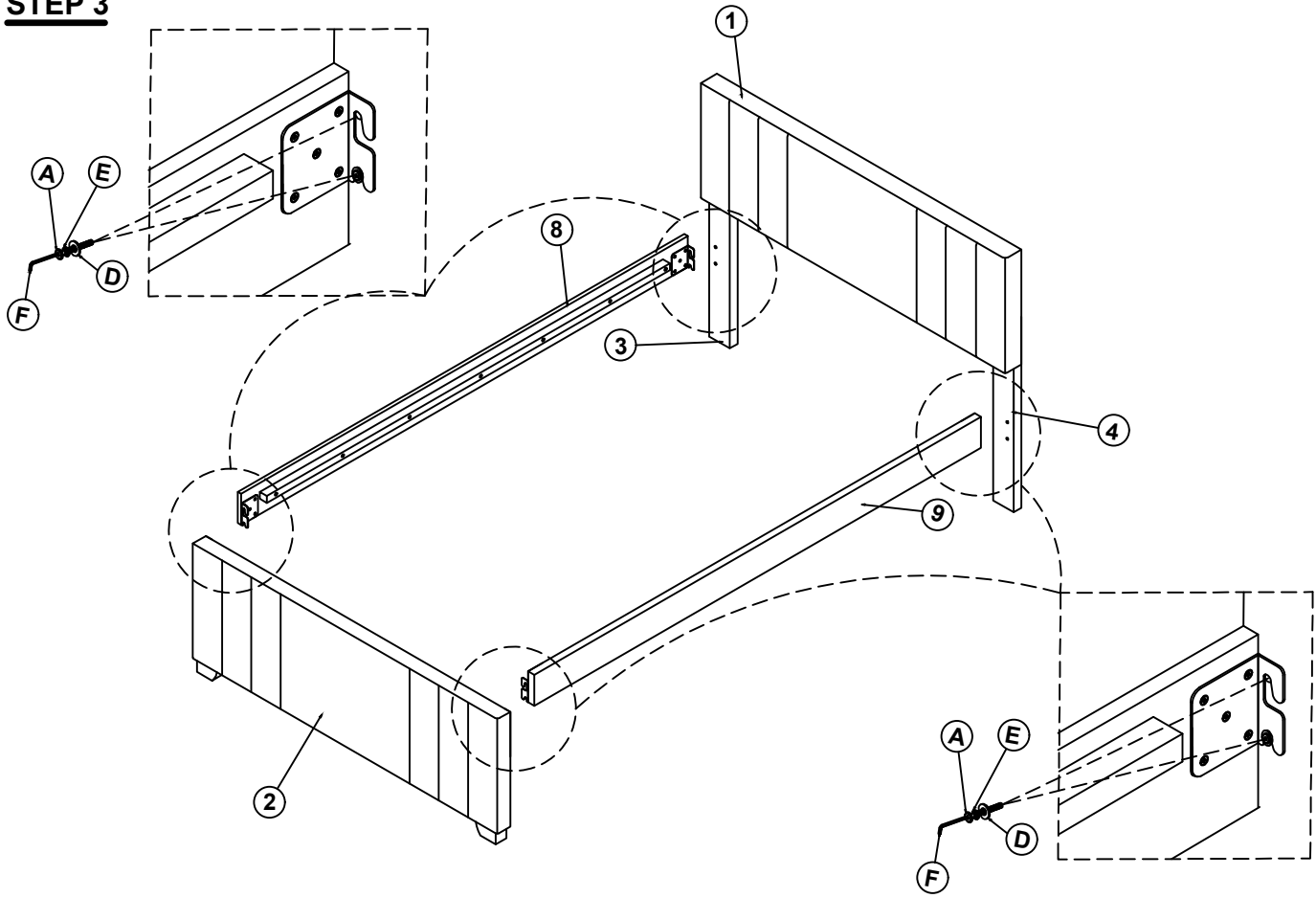
## STEP 2







C	<b>Bolt</b> (Ø 5/16 "X55mm)		2pcs	D	<b>Flat Washer</b> (Ø 5/16 "-RBW)		2pcs
E	<b>Spring Washer</b> (Ø 5/16 "-RBW)		2pcs	F	<b>Allen Wrench</b> (M5x75mm x32mm)		1pc

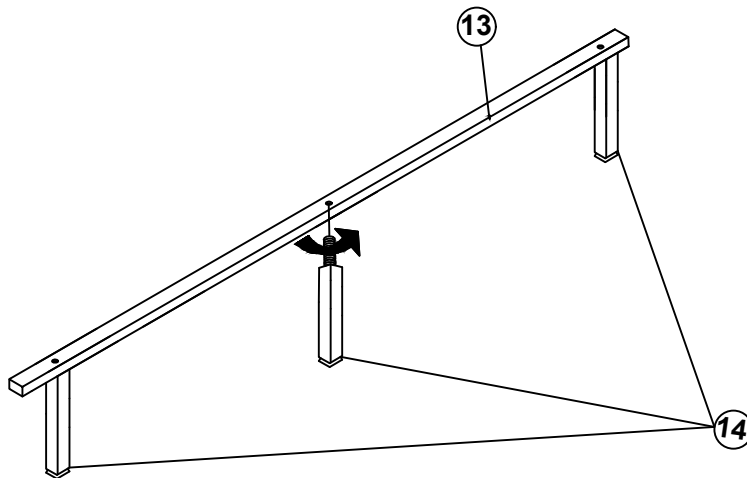
# ASSEMBLY INSTRUCTIONS

## STEP 3



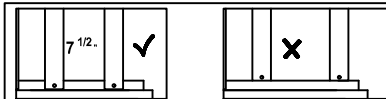
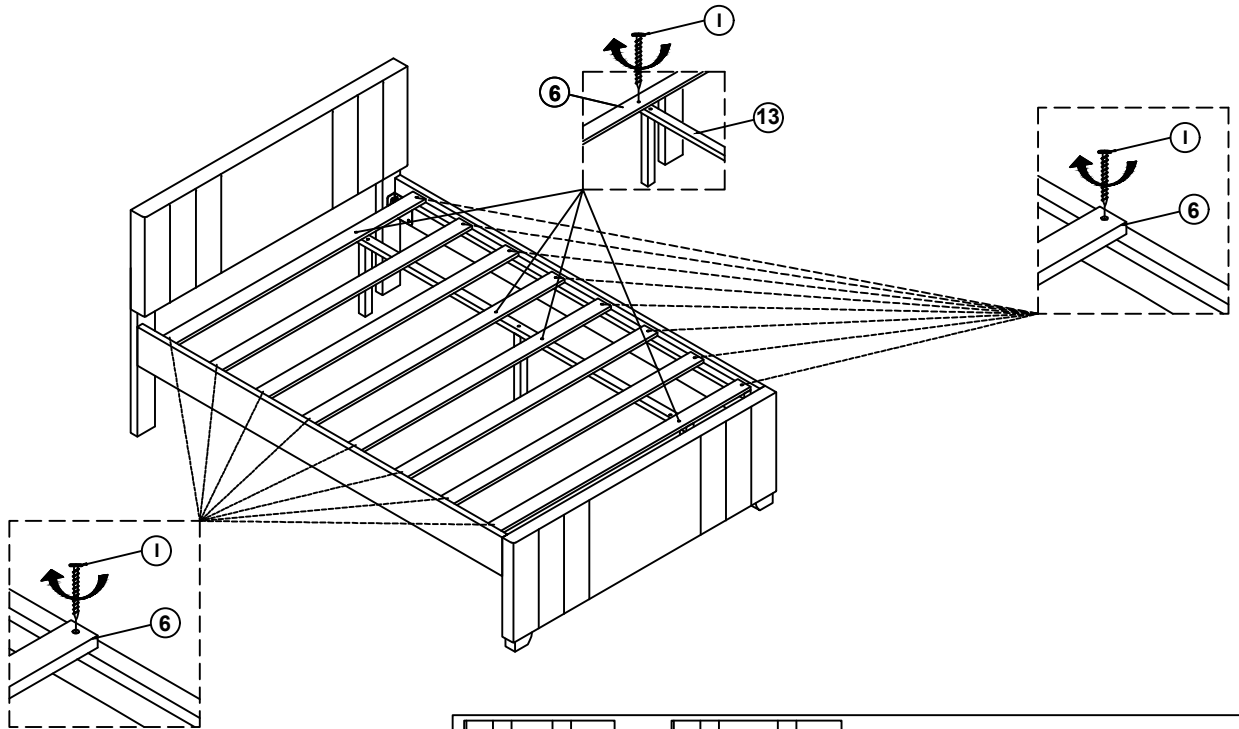
A	<b>Bolt</b> (Ø 5/16 "X25mm)		8pcs	D	<b>Flat Washer</b> (Ø 5/16 "-RBW)		8pcs
E	<b>Spring Washer</b> (Ø 5/16 "-RBW)		8pcs	F	<b>Allen Wrench</b> (M5x75mm x32mm)		1pc

## STEP 4

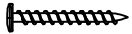


# ASSEMBLY INSTRUCTIONS

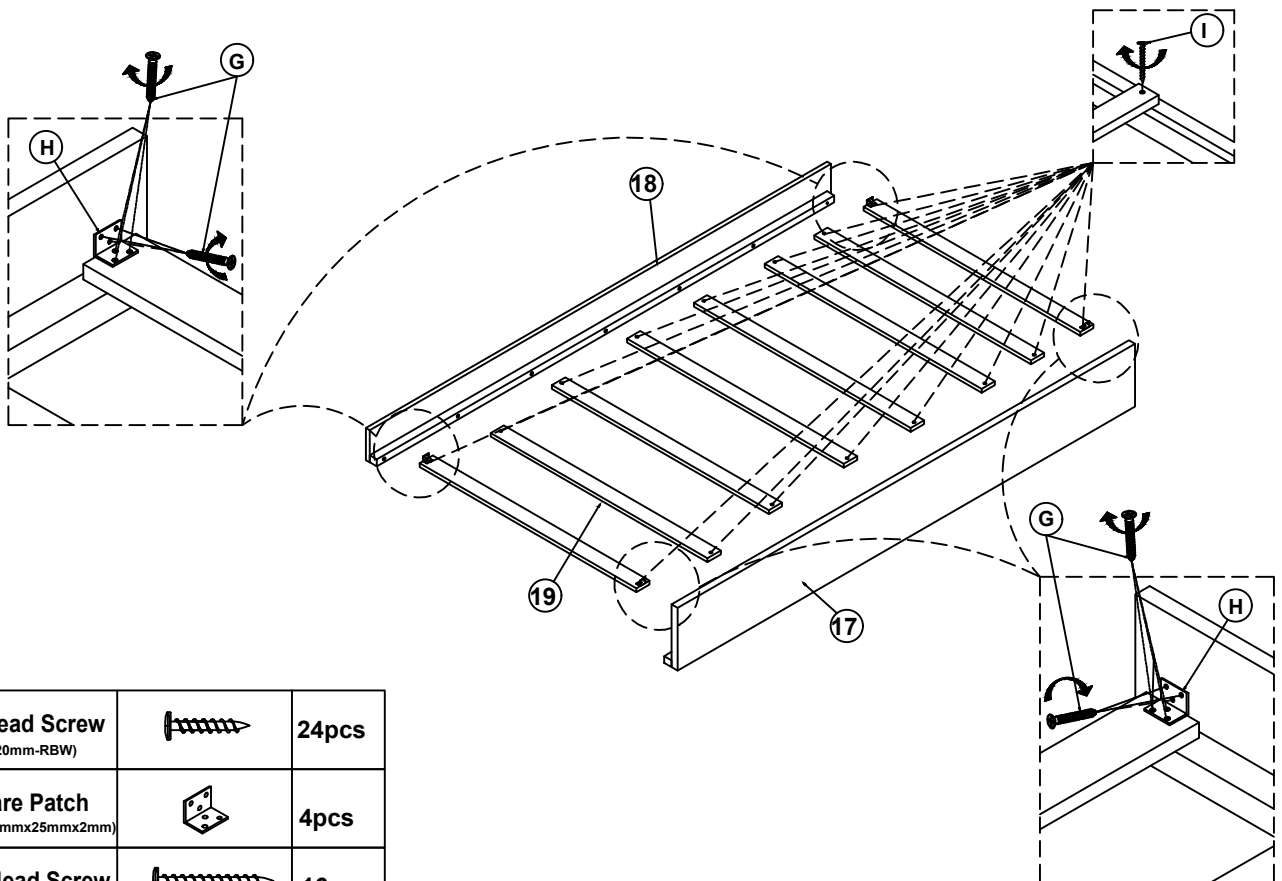
## STEP 5

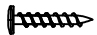

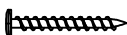


**NOTE:** Do not lock the screws of the trundle slats to the utermost edge the trundle slats,you need to leave a certain space at the edges, otherwise it will cause the board to break.

I	Flat Head Screw (m4x30mm-RBW)		20pcs
---	----------------------------------	-------------------------------------------------------------------------------------	-------

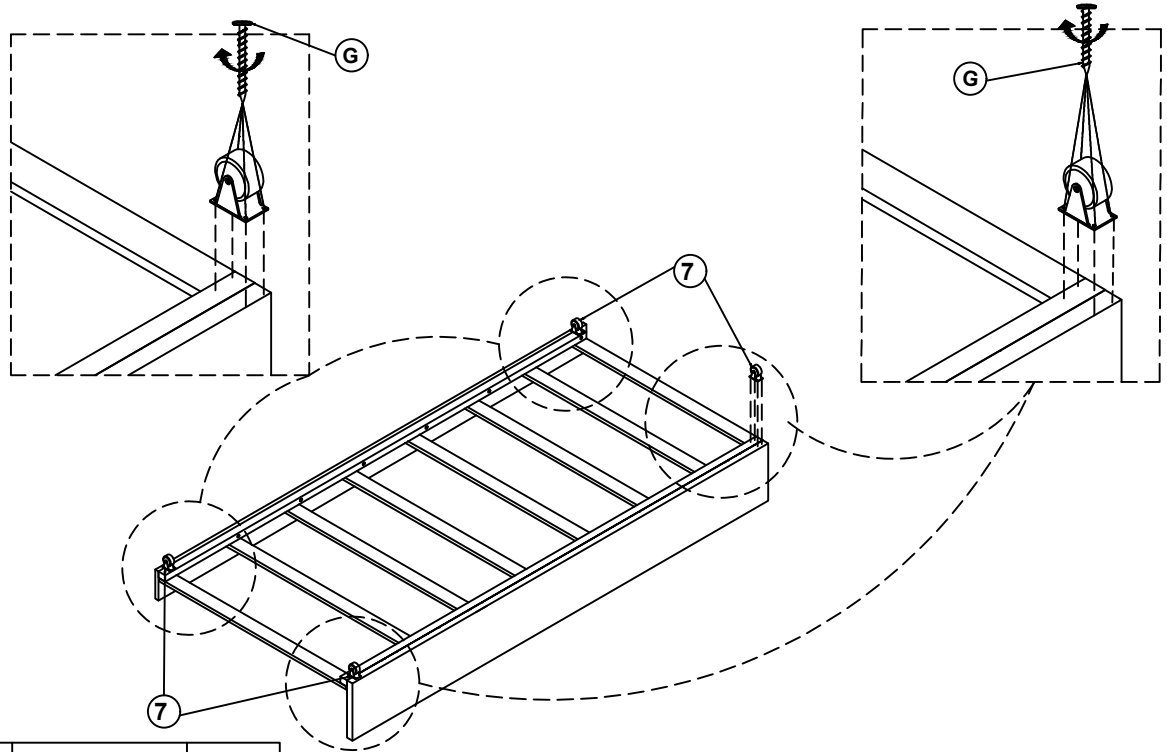
## STEP 6

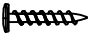



G	Flat Head Screw (m4x20mm-RBW)		24pcs
H	Square Patch (38mmx38mmx25mmx2mm)		4pcs
I	Flat Head Screw (m4x30mm-RBW)		16pcs

# ASSEMBLY INSTRUCTIONS

## STEP 7



G	Flat Head Screw (m4x20mm-RBW)		16pcs
7	Wheels (m59x42mmx66mm)		4pcs

## STEP 8 COMPLETE

