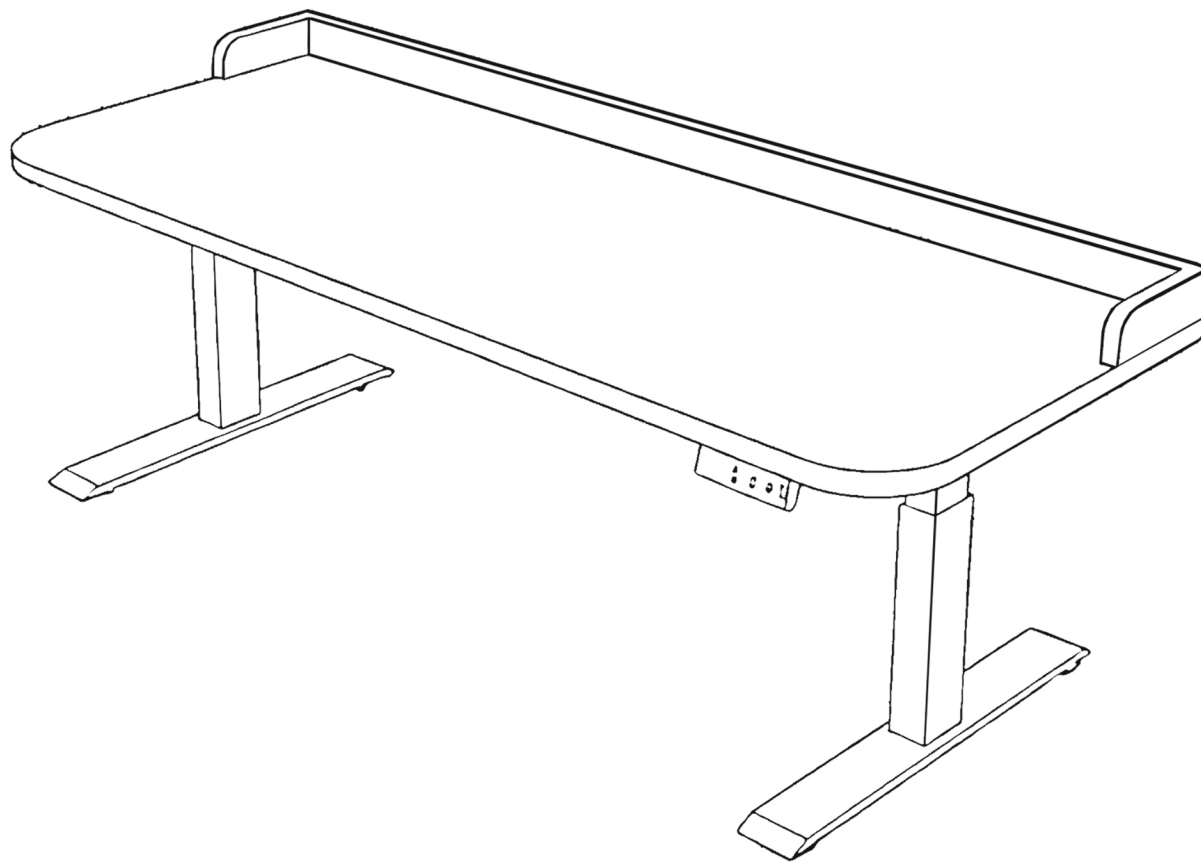
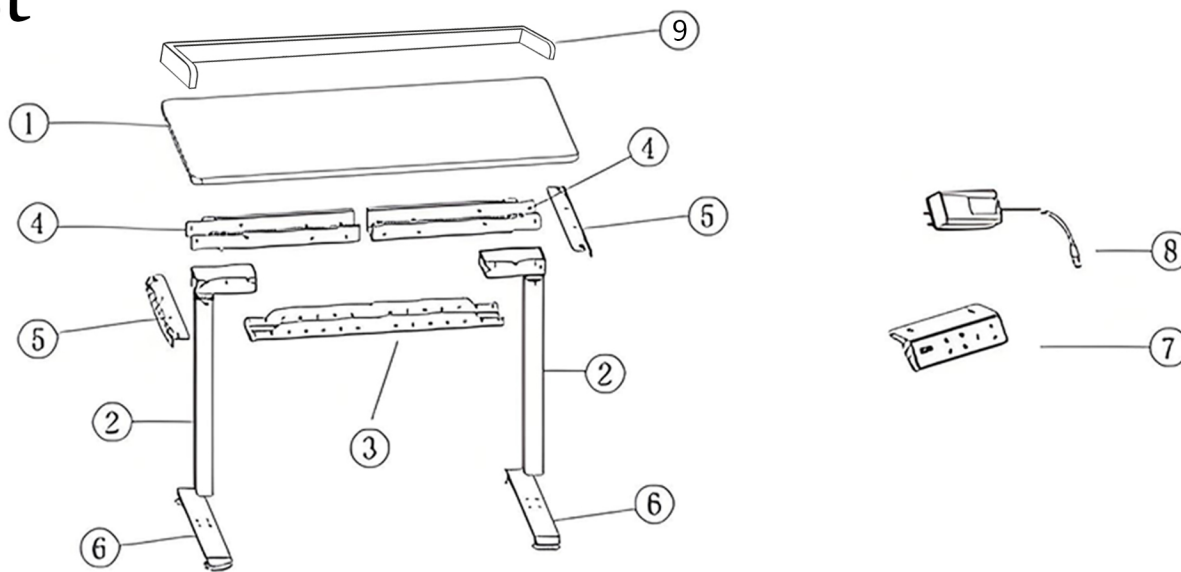



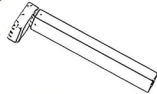
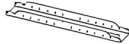
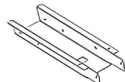

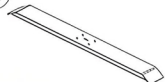



Electric adjustable desk installation drawing









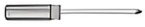





Parts List



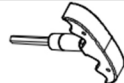


Screw package list

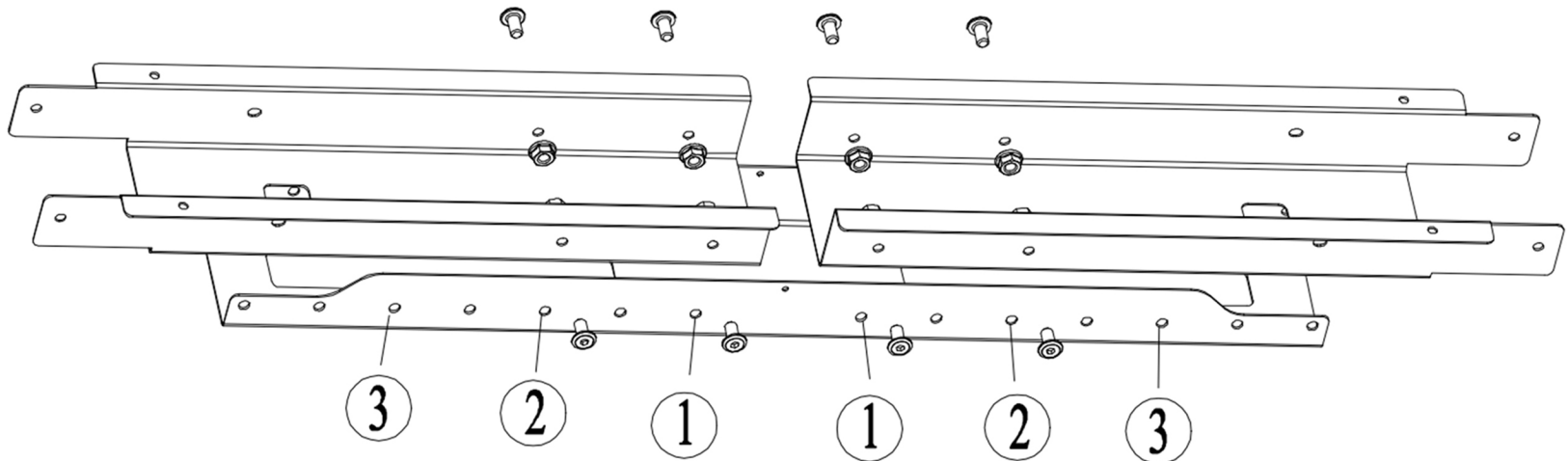
①  Desktop(x1)	②  Column(x2)	③  Trunking(x1)
④  Iron box(x2)	⑤  Desktop bracket(x2)	⑥  Table legs(x2)
⑦  Controller(x1)	⑧  Adapter(x1)	⑨  Guardrail (x1)

Screw package list

A  M8x16(x8) Screws M8x16(x8)	B  Nut(x8)	C  M6x12(x16) Screws M6x12(x16)
D  ST4x15(x14) Screws ST4x15(x14)	E  Adjustable leveling feet(x4)	F  T-type wrench(x 1)
G  Cross screwdriver(x1)	H  Rubber Pad(x4)	I  M8x10(x8) Screws M8x10(x8)
A  M8x16(x2) Screws M8x16(x2)	B  M6x12(x2) Screws M6x12(x2)	C  ST4x15(x2) Screws ST4x15(x2)

Installation step 1

F		
I		M8×10(×8)
B		Nut(×8)



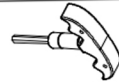


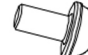
Installation Notes:

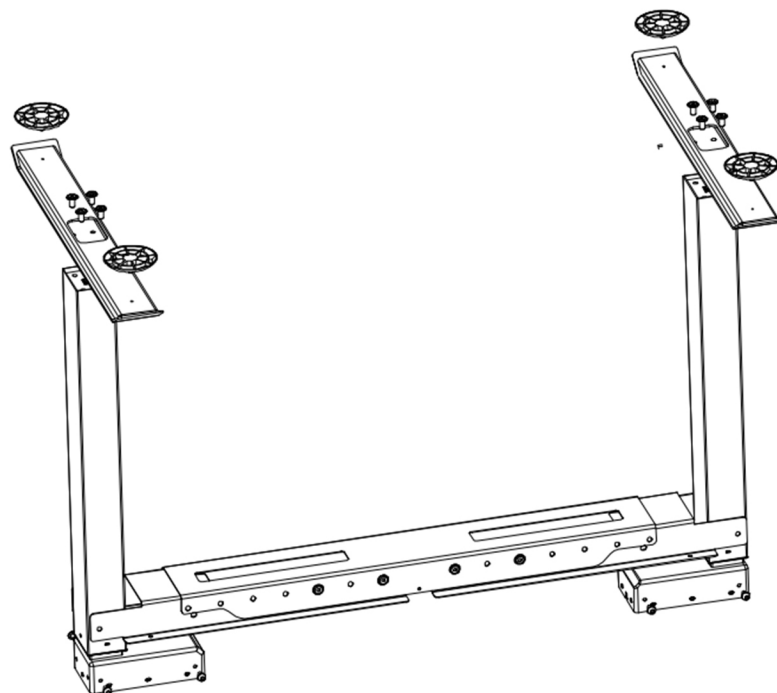
Fixed hole①:Use with 1200x600 desktop

Fixed hole②:Use with 1400x600 desktop

Fixed hole③:Use with 1600x700 and 1800x800 desktop

Installation step 2

F		
A		M8×16(×8)
E		(×4)
C		M6×12(×8)



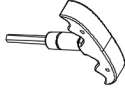
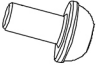
Installation Notes:

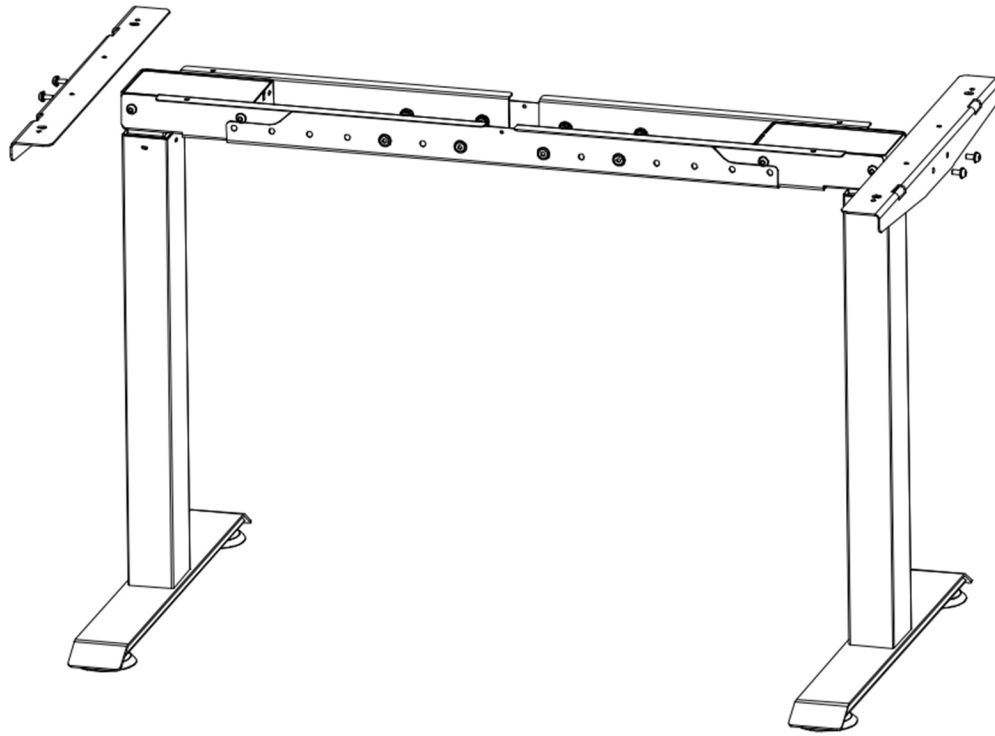
1.Install the column on the components in step 1 and fix them withM6x12 screws

2.Install the table legs on the column and fix them with 8 x16 screws

3.Install the adjustable on the table legs

Installation step 3

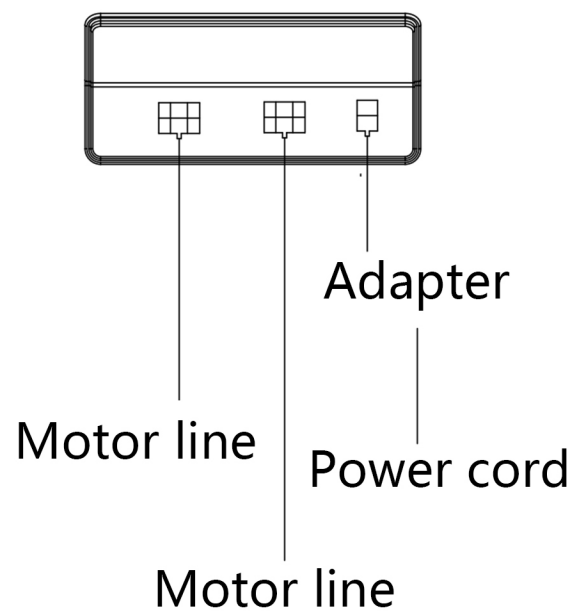
F	
C	 M6×12(×4)



Installation notes.

1. Install ⑥ on step 2 and secure with C

Installation step 4

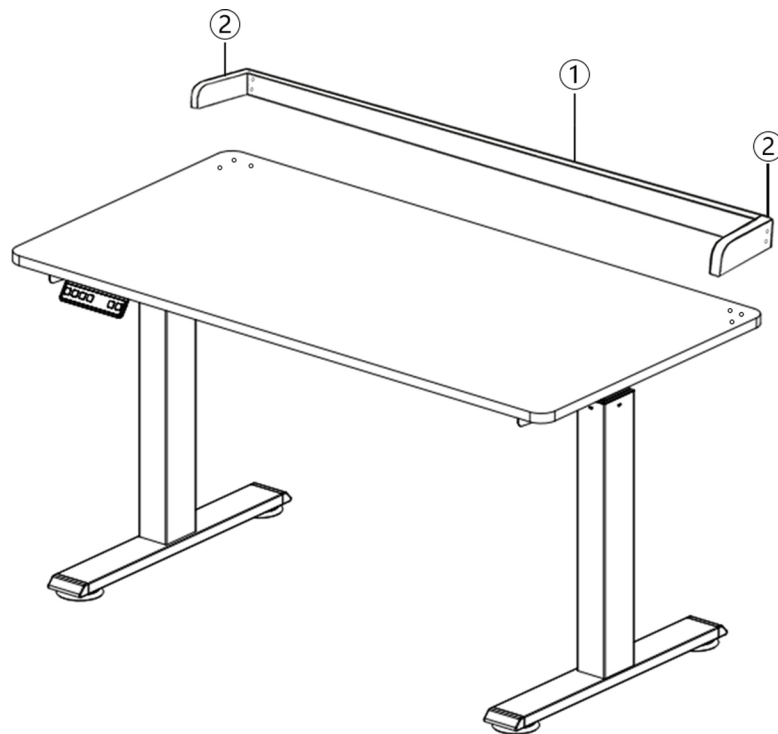


Installation notes:

1. Connect the power cord, controller, and motor wires as shown in the diagram.

(Note: The side away from the manual controller requires an extension cable)

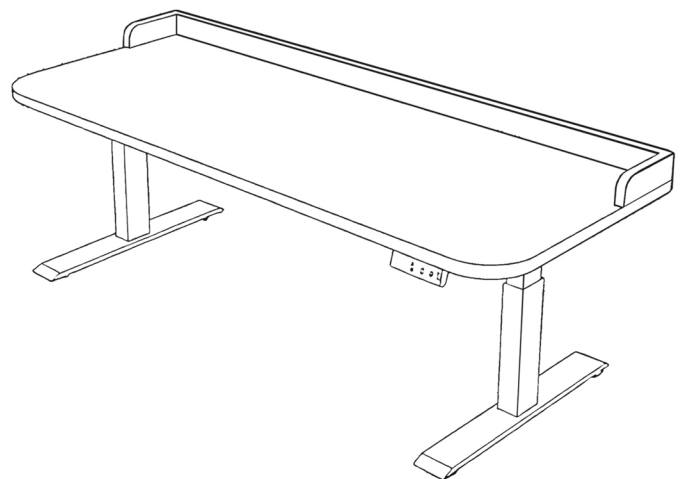
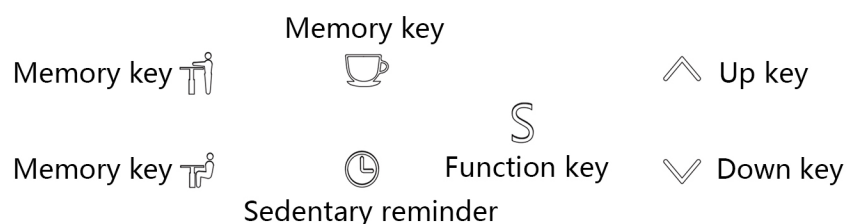
Installation step 5



Operating Instructions

1. Align parts 1 and 2, then fasten them with 38 × 4 mm Phillips screws through the matching holes; repeat for the opposite side.
2. Position the assembled panel on the desktop, align the lower holes, and secure with 38 × 4 mm Phillips screws.

Installation complete



Operating Instructions

1. Reset

Long-press the RESET button when the desk is at its lowest position or an error code is shown.

2. Memory Position Save

Move the desk to the desired height, press S, wait for the display to flash, then press the desired memory key.

3. Recall a Memory Position

Short-press a memory key; the desk moves to the saved height. Press any key during travel to stop immediately.

4. Sedentary Reminder

Sedentary Reminder: Press the Reminder key to enter setup; use the Up / Down keys to select duration or turn the function off.

(1). If the desk stays at any height longer than the set time, the reminder triggers.

(2). Once triggered, it alerts every 2 min (display flashes current height for 9 s) for a total of three cycles.

(3). If height changes before the third alert, the timer resets.

(4). When the function is ON, the third decimal point stays lit while the screen is dimmed; it disappears when OFF.

(5). After three alerts with no height change, the reminder turns itself off; re-enable it manually if desired.

5. Child Lock

Press and hold the S and Down buttons together; "LOC" appears on the screen and the child-lock is activated. To deactivate, repeat the same key-press sequence.