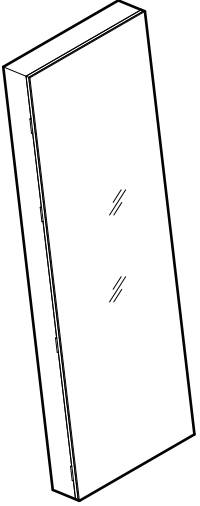
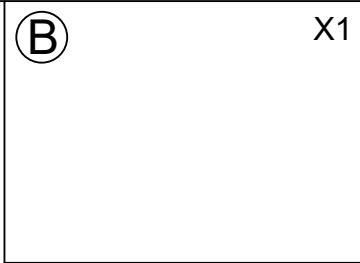
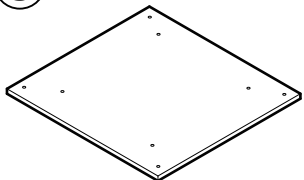
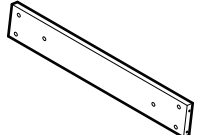

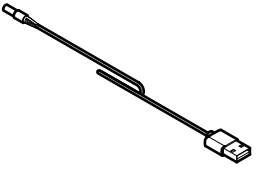
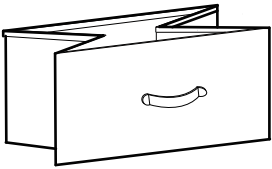







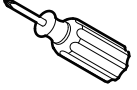

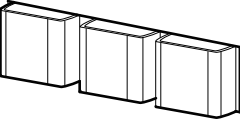
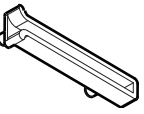
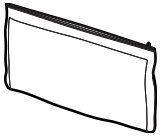
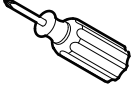



Instruction Manual


(A)  X1	(B)  X1	(C)  X1	(D)  X2
(H)  X1	(E)  X1	(F)  X1	(G)  X1
(I)  X4	(J)  X4	(K)  X12	(L)  X12
(M) 6x12mm  X2	(N) 6x30mm  X2	(O)  X1	(P)  X1
(Q)  X1	(R)  X2	(S)  X1	(O)  X1

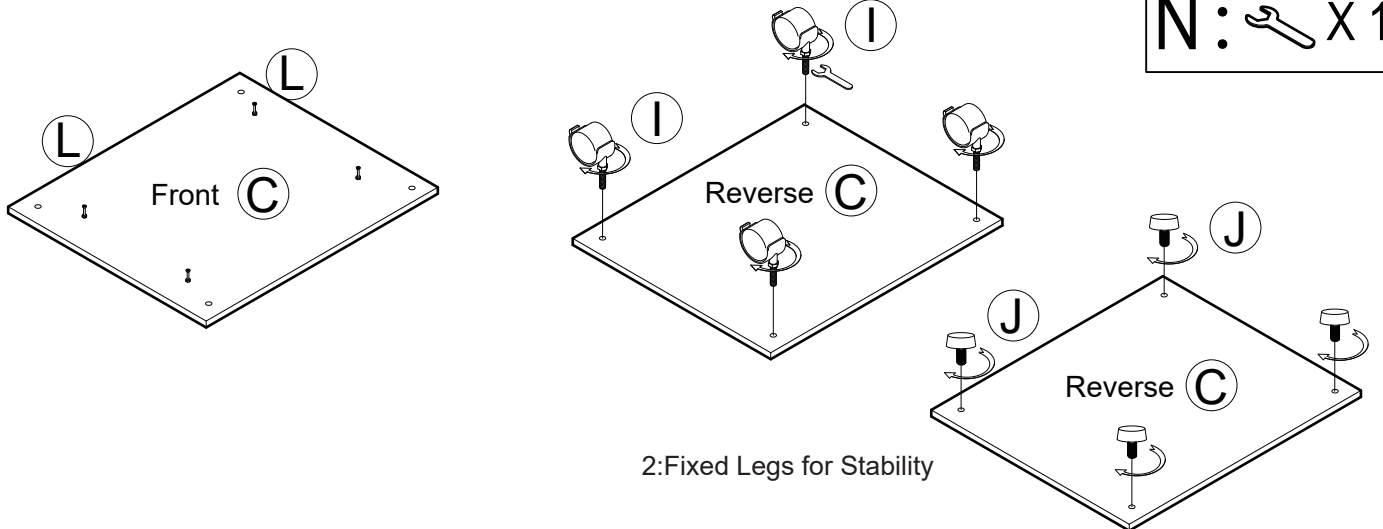
Floor-standing Assembly

STEP 1

2 Base Assembly Options
 1: Casters for Mobility
 2: Fixed Legs for Stability

L:  X4

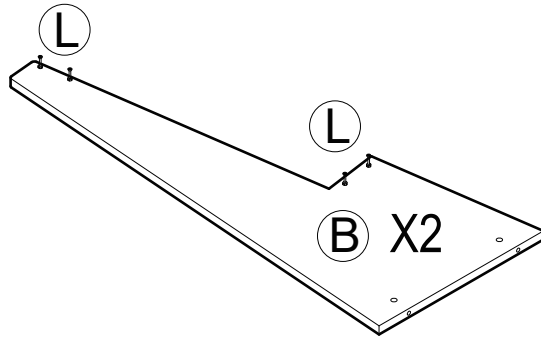
N:  X1



The diagram illustrates the assembly of the base plate (C) for floor-standing use. It shows two options: 1) Casters for Mobility, which involves attaching casters (I) to the base plate using screws (L). 2) Fixed Legs for Stability, which involves attaching fixed legs (J) to the base plate using screws (L). The front of the base plate is labeled 'Front' and the back is labeled 'Reverse'. The screws (L) are shown being inserted into the pre-drilled holes on the base plate.

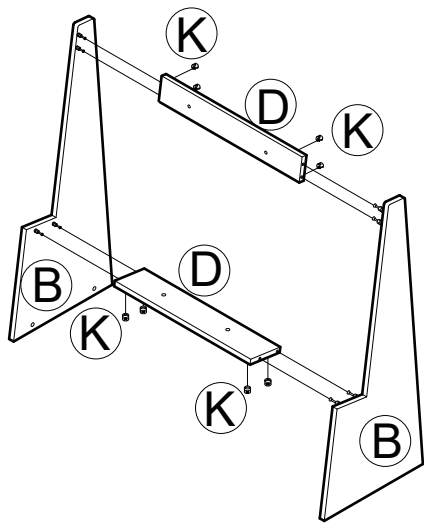
STEP 2

L:  X 8



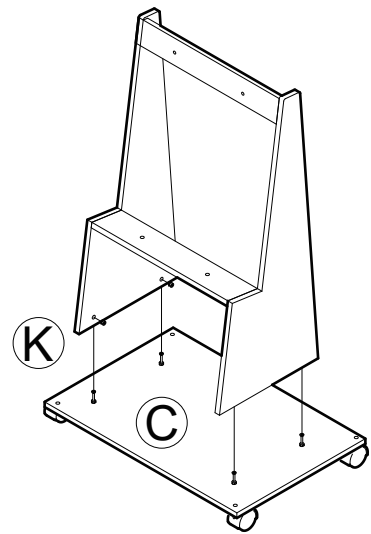
STEP 3

K:  X 8

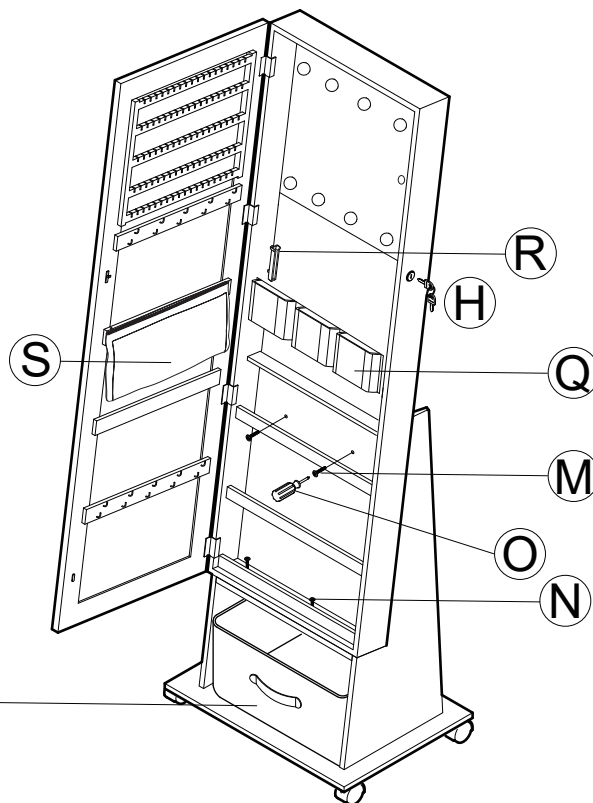
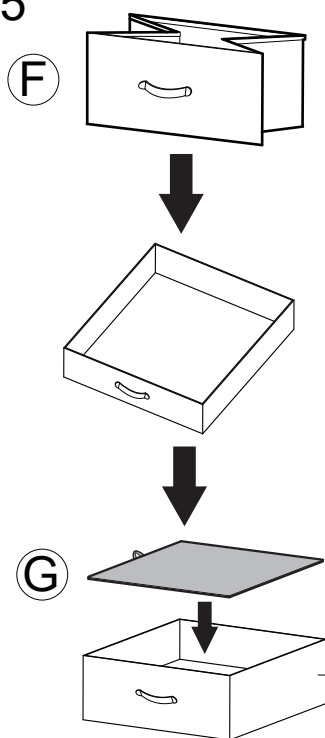


STEP 4

K:  X 4




STEP 5



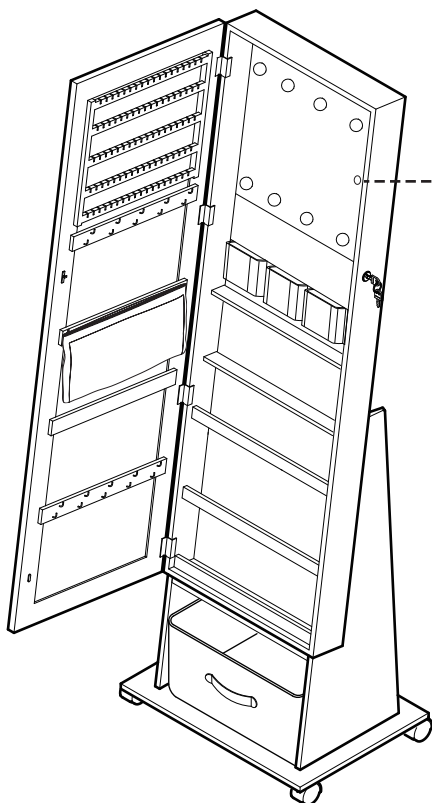
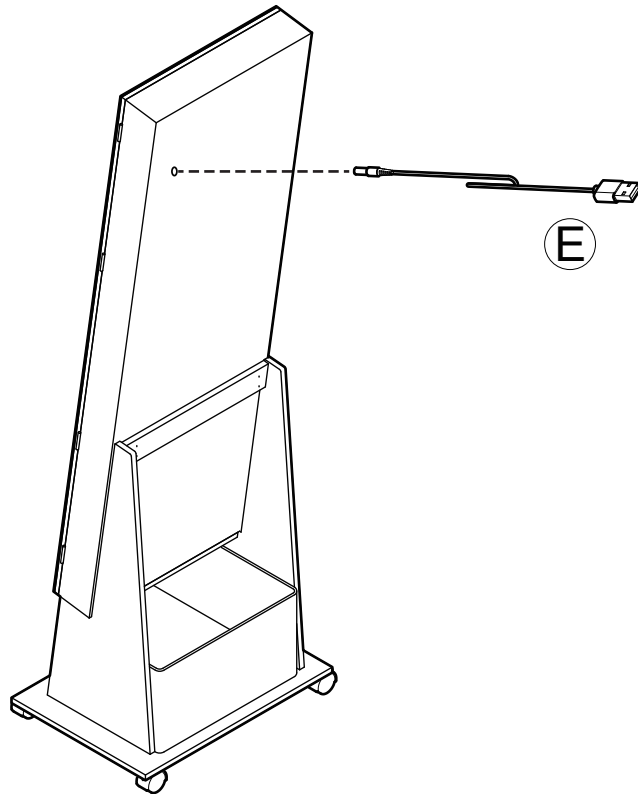
M:  X 2

N:  X 2

O:  X 1

H:  X 1

STEP 6



Smart Touch Controls

- Press the button to turn on/off the LED Lights
- Press the button again to shift to different color temperature settings
- Press and HOLD to adjust the brightness level