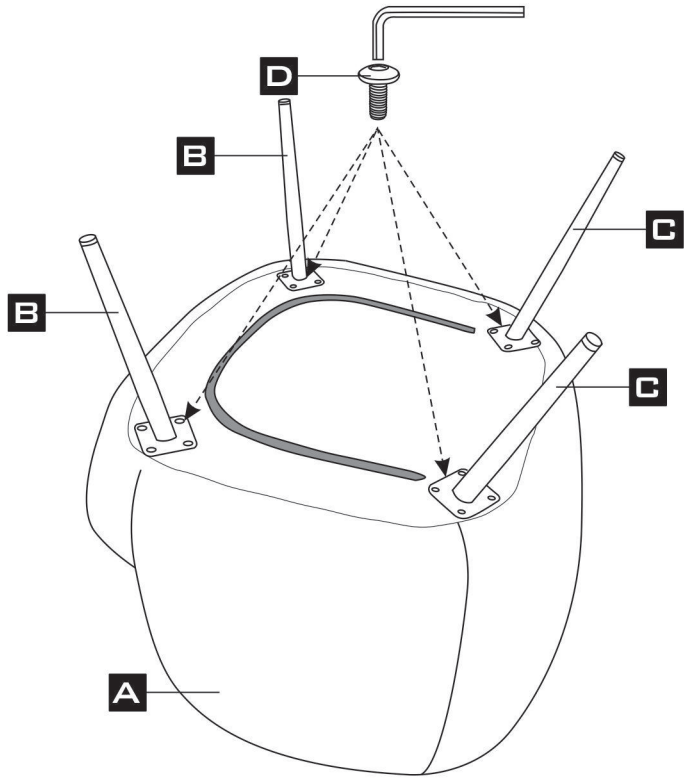
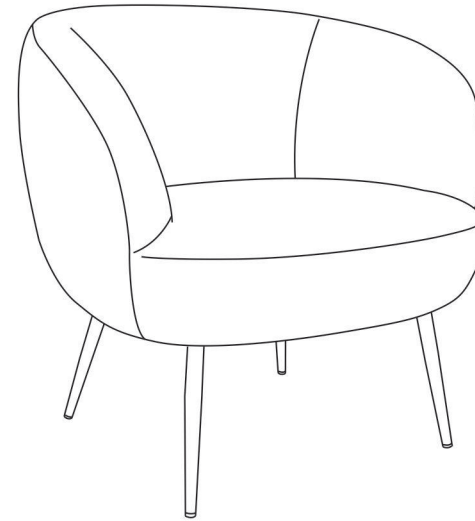


# ASSEMBLING INSTRUCTION

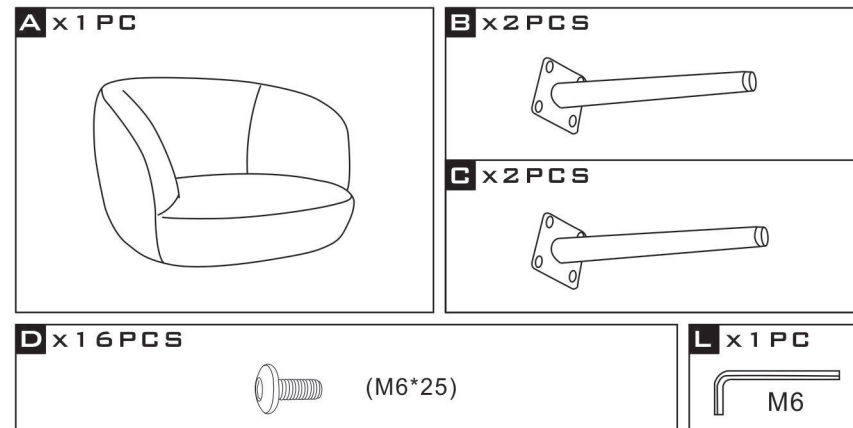
Please flip the seat upside down and open the compartment to access



- ① Put the screws in the holes, tight the screws, but not too tight, 90% is ok



- ② Stand the chair upright & ensure it is level before tightening all screws. Then tight all the screws to 100%



Please find hardware pack inside the dust cover underneath seat cushion