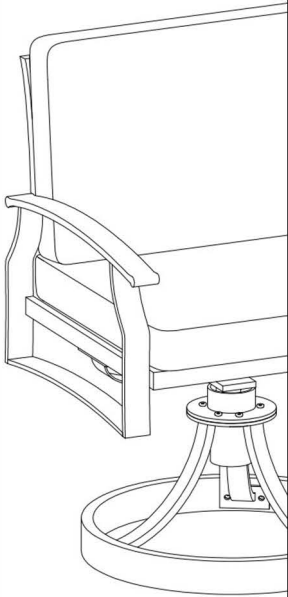


Owner Manual



WARRANTY

We strive to offer high quality product and we also try our best to satisfy each customer that order from us, no matter on products or services as needed. Each customer receives a record of their order, such as the order number or item receipt. For any items that are out of warranty period, you may still be able to purchase the replacement parts from our company if they are available.



MAINTENANCE AND WARNING

Please read the manual thoroughly
before you start installing.

Please keep the product away from
sharp object.

Packaging and small parts may have
chocking hazard, please keep them away
from children and pets.

Please clean the product according to each
clean code, check the product description
for more information.

Please keep the product away from
fire.

If you have any other questions, please
contact us, we will be glad to help you out.

If the product is placed under direct
sunlight, the pattern or color might fade
away overtime.

Check the product periodically to make
sure everything is secured and tightened.


Always use proper tools for installation.

Do not jump on the product.



Around 60 min

PRODUCT DESCRIPTION



This classic outdoor coffee table brings some elegance to your patio or garden.

The table features a rectangular top made from weathered steel-inspired plastic resin, and it sits on a black and brown powder-coated steel base, ensuring its resistance to weather, water, UV rays, rust, and scratches.

With its 100 lbs. weight capacity, this table is perfect for holding your favorite drinks, snacks, and outdoor accessories.

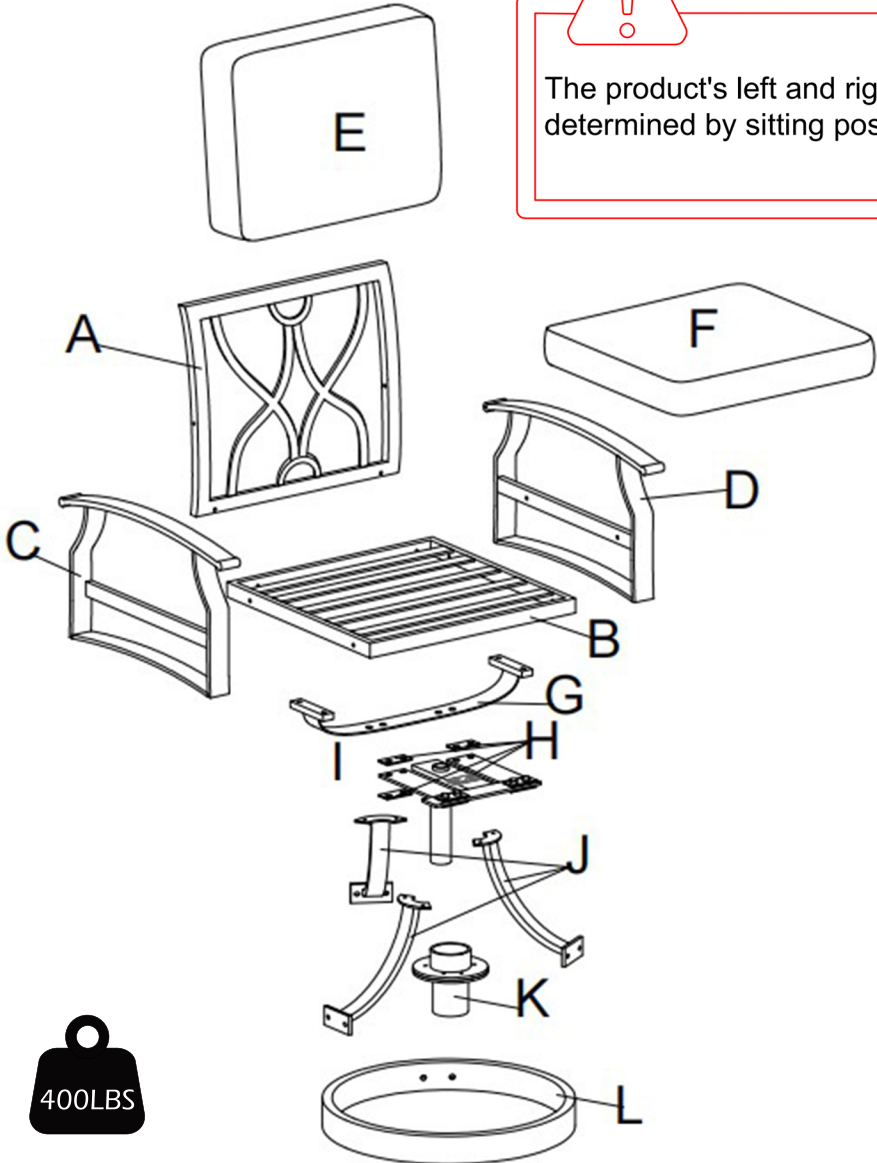
This coffee table adds a timeless touch to your outdoor space without compromising on functionality.

360 easy swivel adds up more seating experience.

EXPLODED VIEW

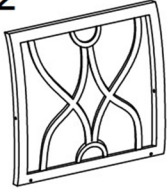


The product's left and right are determined by sitting posture



PARTS

A*2



Backrest

B*2



Seat frame

C*2



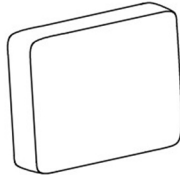
Right arm

D*2



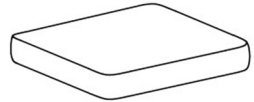
Left arm

E*2



Back cushion

F*2



Seat cushion

G*2



Bracing piece

H*8



Metal plate

I*2



Mechanism

J*6



Securing pieces

K*2



Shaft part

L*2



Siderosphere

HARDWARE

TOOL LIST

NOTE: Designated with (★) We provide additional spare parts in the hardware package

①*4



★ M6*40mm
Bolt

②*12



★ M6*30mm
Bolt

③*20



★ M6*20mm
Bolt

④*8



★ M8*30mm
Bolt

⑤*12



★ M8*20mm
Bolt

⑥*20



★ M8
Nut

⑦*36



★ M6
Flat washer

⑧*1



M6
Allen key

⑨*2



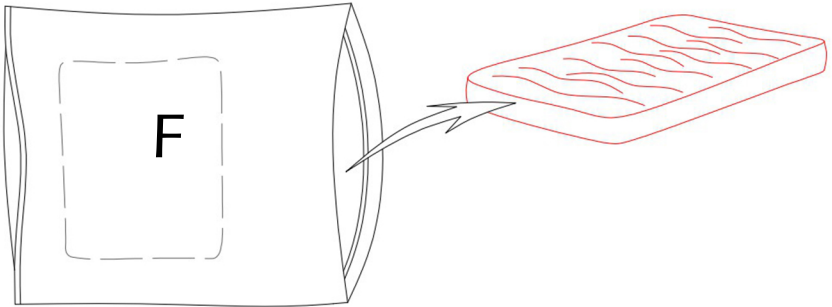
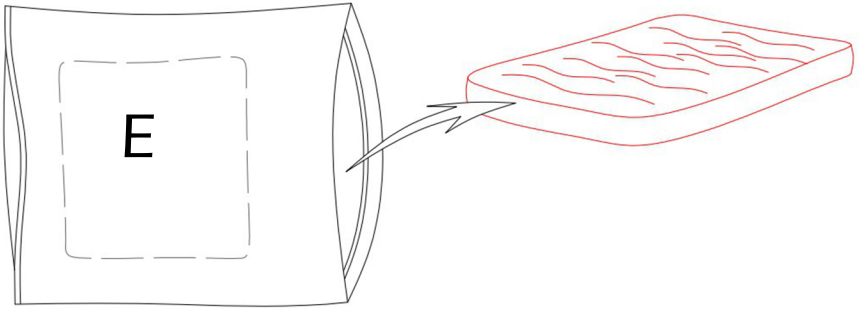
13mm
Hexagon wrench

Please make sure all hardware&packing material fitting the list.

Especially some small accessories may be missing during transportation. Please contact us if you have any question.

step 1

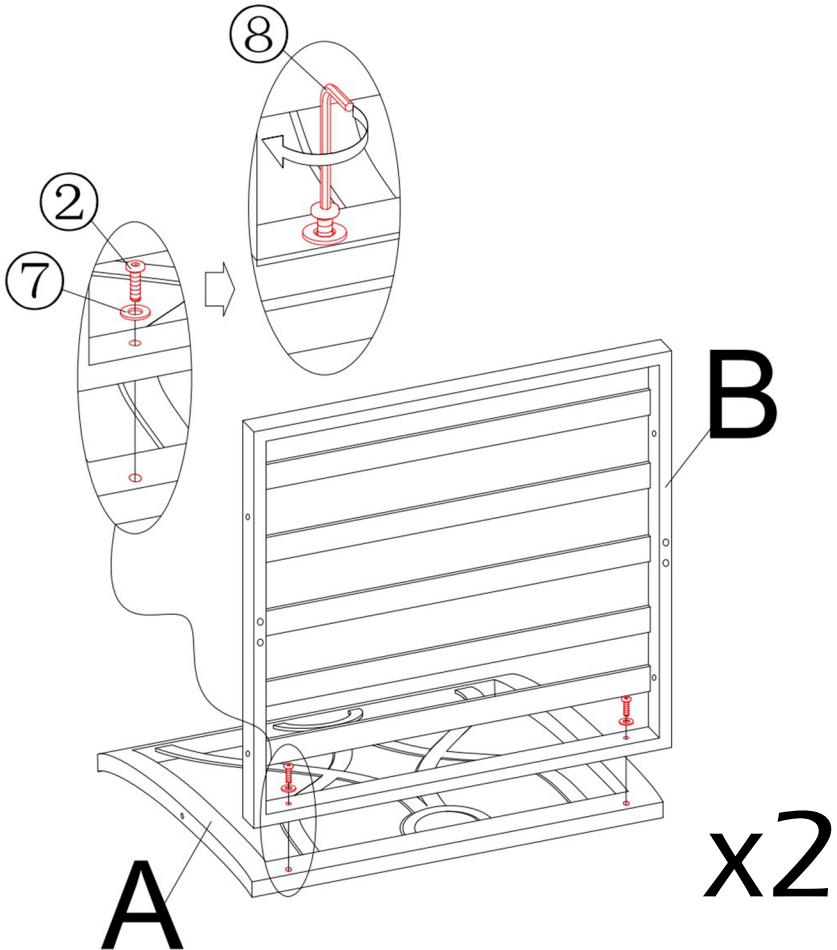
Take out the cushions (E& F) from the compression bags, and allow it to recover to its original shape, it might take up to 24 hours to be fully recovered, you may gently slap on them to speed up the process.



X2

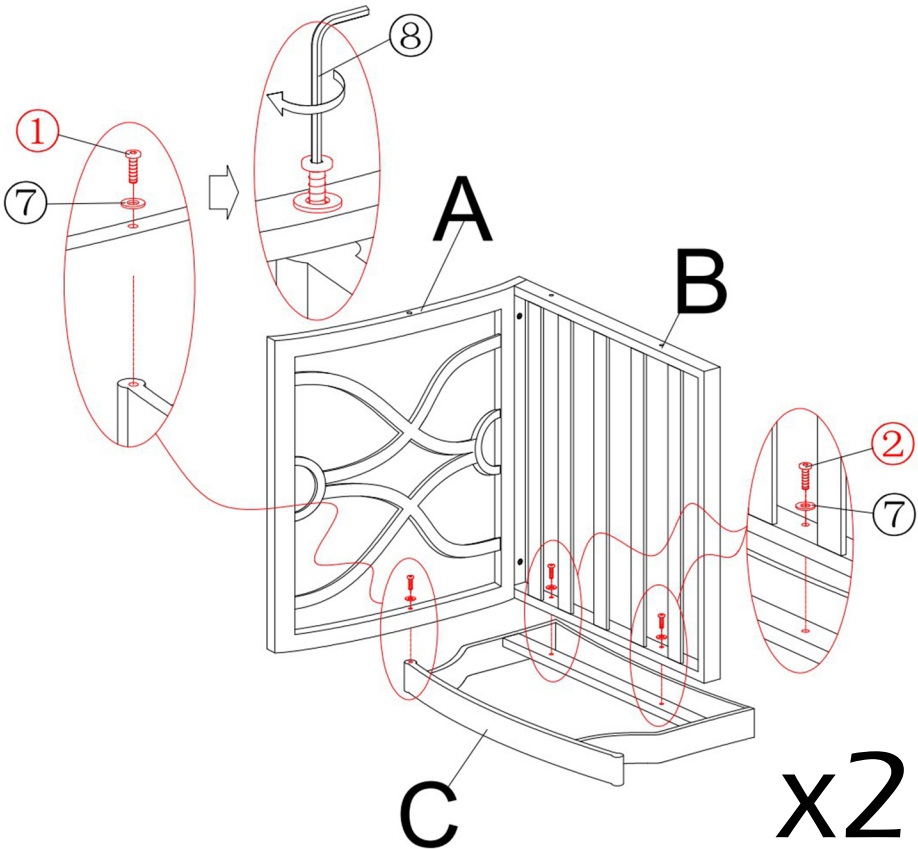
step 2

Connect the seat frame (B) with the backrest (A) as shown. Add one washer (7) on each bolt (1) as shown, then align the bolt holes on both seat frame (B) and backrest (A), then use the allen wrench (8) provided to tighten all bolts by 30%-50% at first, ensuring that all bolts are aligned correctly before tightening all bolts.



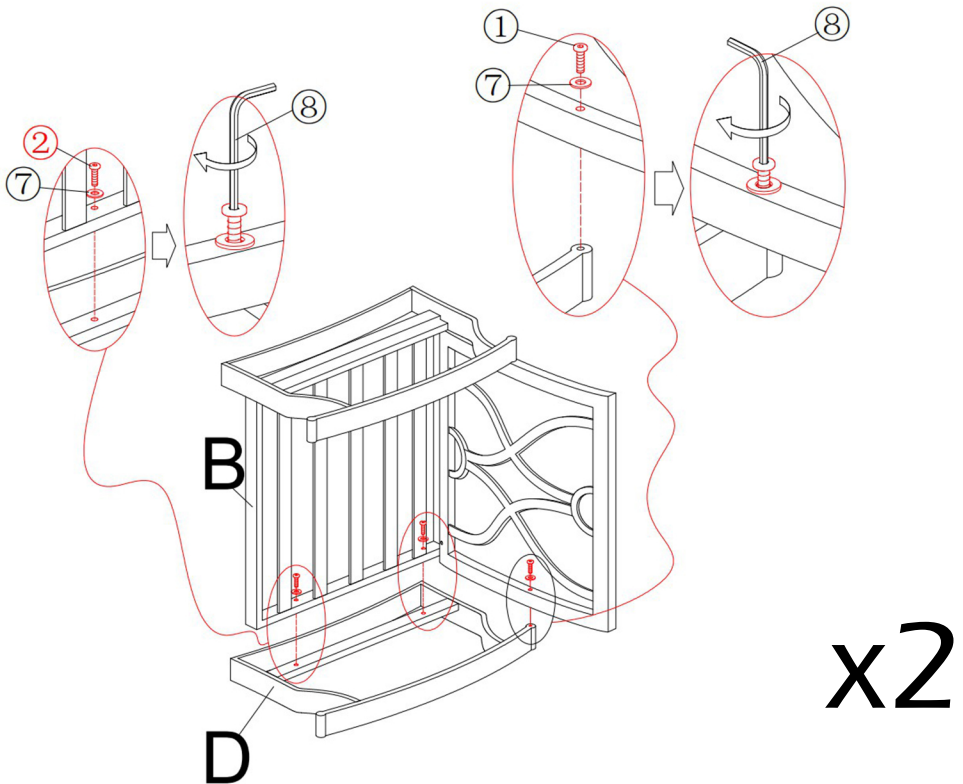
step 3

Install the right arm (C) onto the seat frame (A & B) as shown. Add one flat washer (7) on each bolt (1&2) as shown, then align the bolt (1) holes on both backrest and armrest, align the bolt (2) holes on both seat frame and armrest, then use the allen wrench (8) to tighten all bolts by 30%-50% at first, ensuring that all bolts are aligned correctly before tightening all bolts. There are two bolts (2) used on seat frame, and one bolt (1) used on backrest.



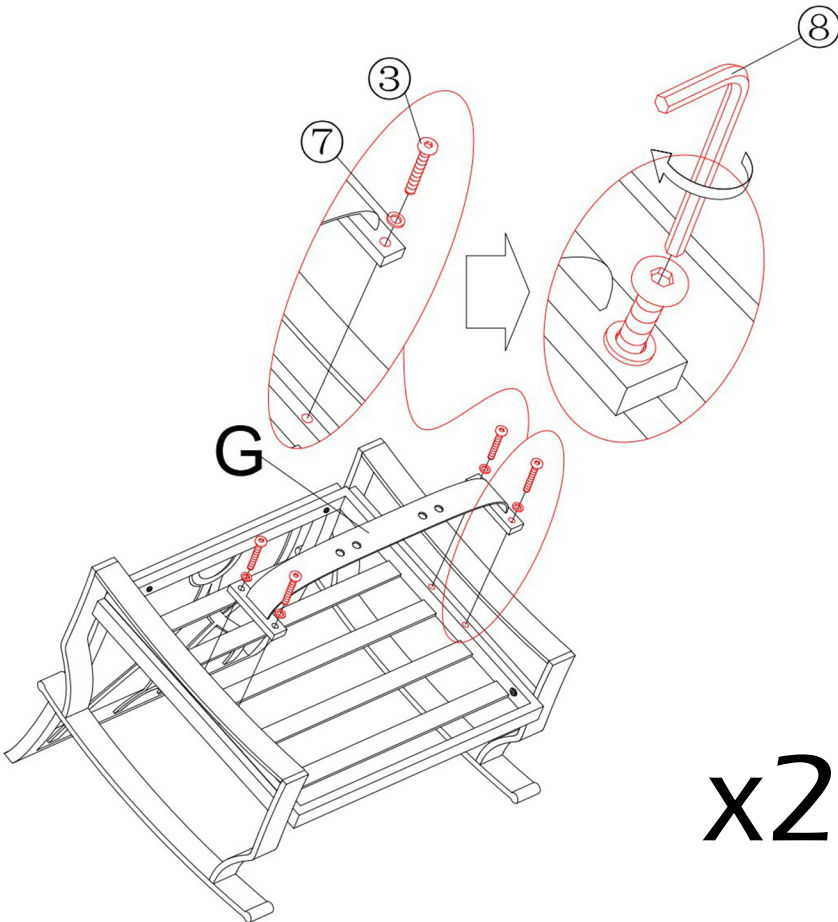
step 4

Install the left arm (D) onto the seat frame (A & B) as shown. Add one flat washer (7) on each bolt (1&2) as shown, then align the bolt (1) holes on both backrest and armrest, align the bolt (2) holes on both seat frame and armrest, then use the allen wrench (8) to tighten all bolts by 30%-50% at first, ensuring that all bolts are aligned correctly before tightening all bolts. There are two bolts (2) used on seat frame, and one bolt (1) used on backrest.



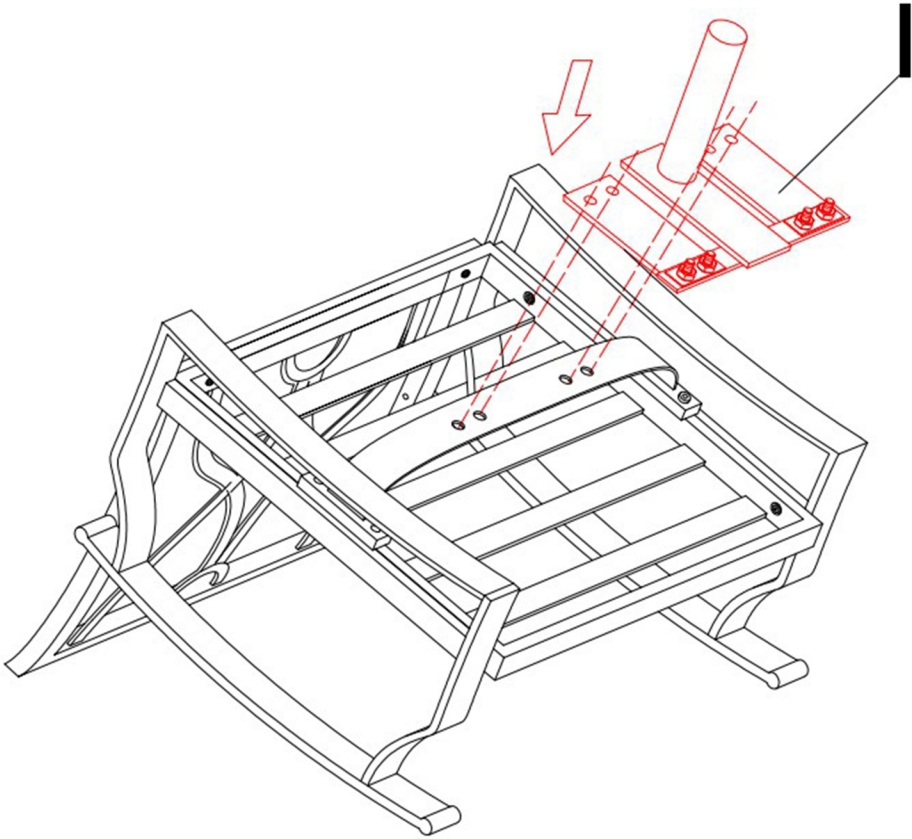
step 5

Install the bracing piece (G) onto the back of the seat frame as shown. add one flat washer (7) on each bolt (3) as shown, then align the bolt holes on both bracing piece and legs, then use the allen wrench (8) provided to tighten all bolts by 30%-50% at first, ensuring that all bolts are aligned correctly before tightening all bolts.



step 6

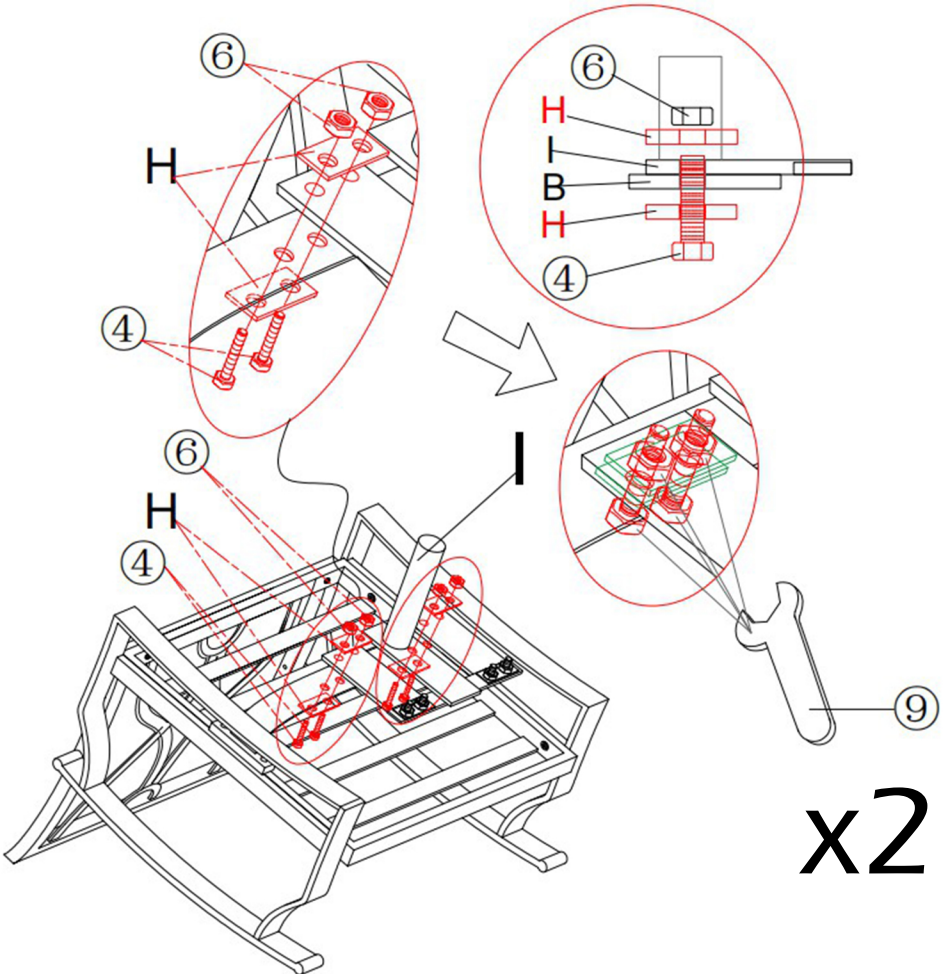
Place the connecting part of the mechanism (I) underneath the bracing piece as shown, make sure the bolt holes are correctly aligned.



x2

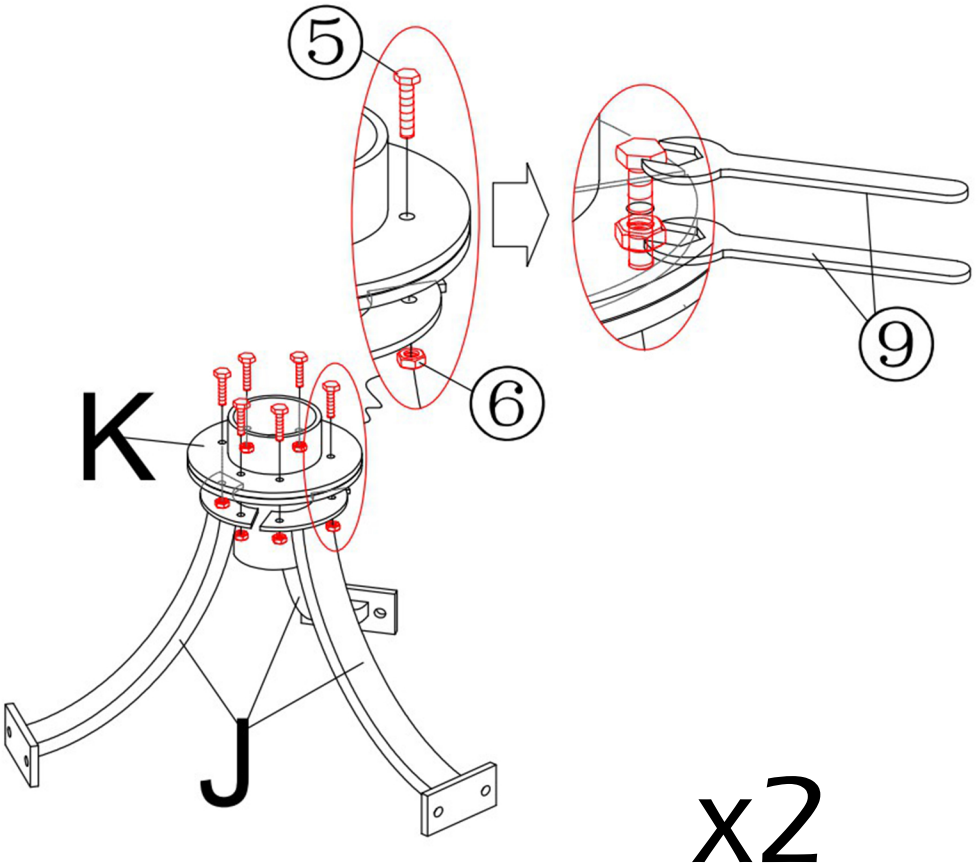
step 7

Place one metal plate (H) on each side of the bolt holes to connect bracing part (G) with the mechanism (I). Place one nut (6) on each of the top holes and screw the bolts (4) from the bottom as shown. Use the hexagon wrench (9) provided to fix the nuts on top, and use the hexagon wrench (9) provided to tighten all the bolts (4).



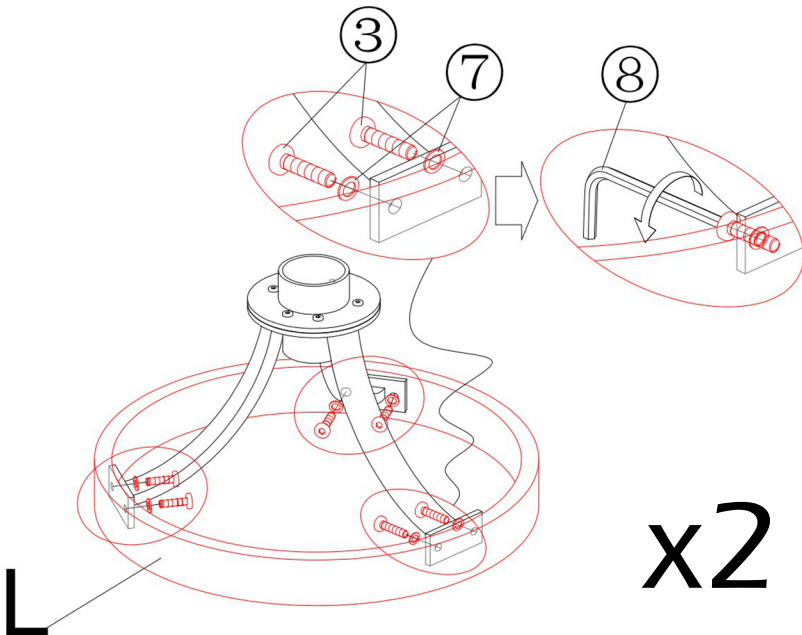
step 8

Connect three securing pieces (J) onto the shaft part (K) as shown. Place one nut (6) underneath to fix each bolt (5), use the hexagon wrench (9) provided to tighten all the bolts while using the hexagon wrench (9) to fix the nuts.



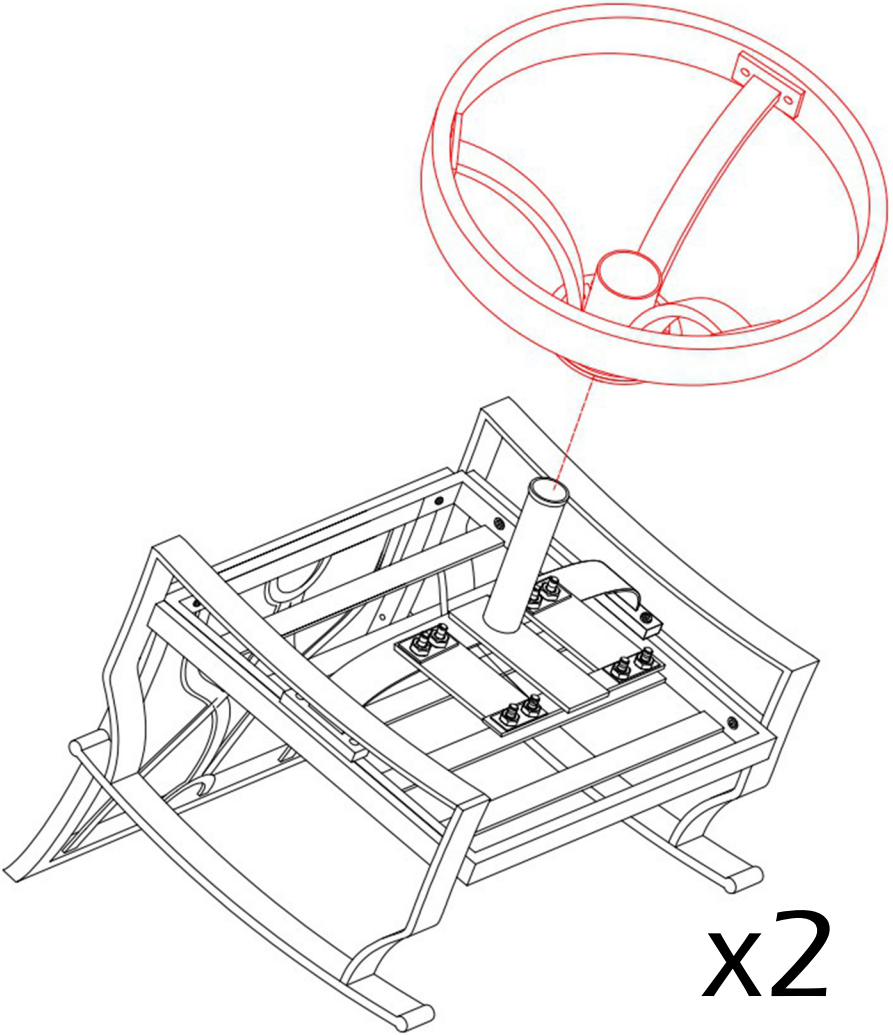
step 9

Fix the securing pieces onto the base ring (L) as shown. Add one flat washer (7) on each bolt (3) as shown, then align the bolt holes on both securing pieces and base ring, then use the allen wrench (8) to tighten all bolts by 30%-50% at first, ensuring that all bolts are aligned correctly before tightening all bolts.



step 10

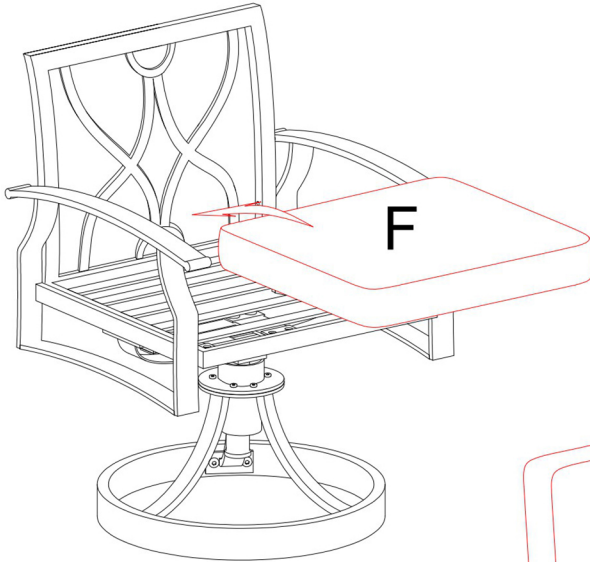
Insert the mechanism into the base ring as shown.



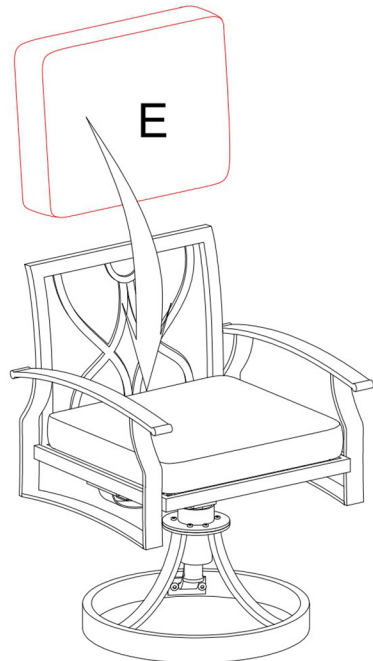
step 11

Place the seat cushion (F) onto the seat frame as shown.

Place the back cushion (E) onto the seat as shown.

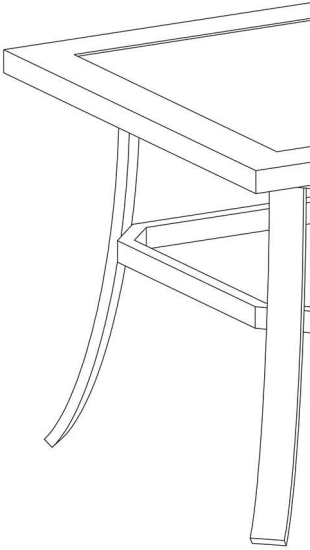


x2

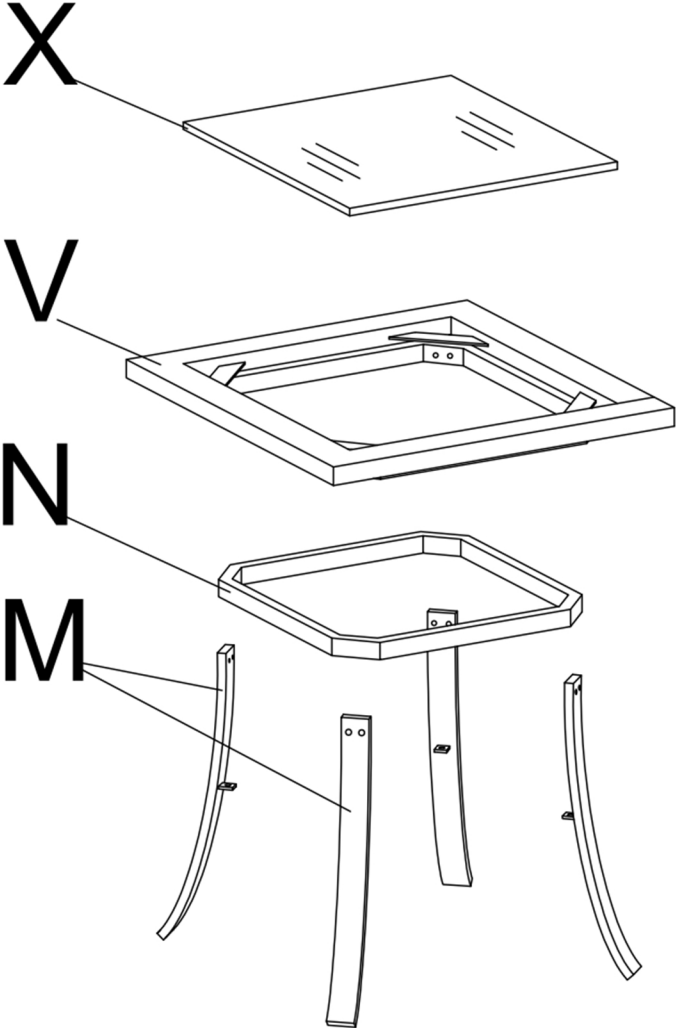


WARRANTY

We strive to offer high-quality product and we also try our best to satisfy each customer that orders from us with product or service as needed. Each customer receives a record of their order, such as the order number or item receipt. For any items that are out of the warranty period, you may still receive replacement parts by purchasing them from our company if they are available.



EXPLODED VIEW



PARTS

V*1

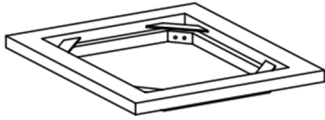
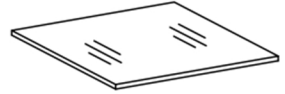


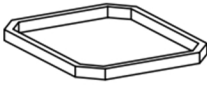
Table frame

X*1



Tabletop

N*1



iron frame

M*4



Legs

HARDWARE

TOOL LIST

NOTE: Designated with (★) We provide additional spare parts in the hardware package

⑩*8



M6*25mm

⑪*4



M6*15mm

⑦*12



Flat washer

⑧*1

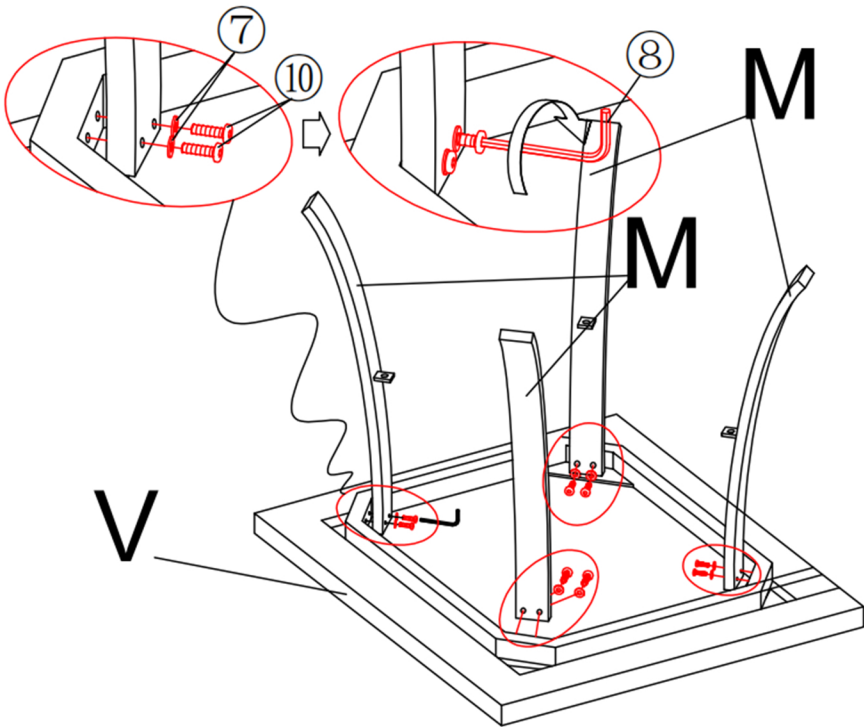


Allen key

Please make sure all hardware&packing material fitting the list. Especially some small accessories may be missing during transportation. Please contact us if you have any question.

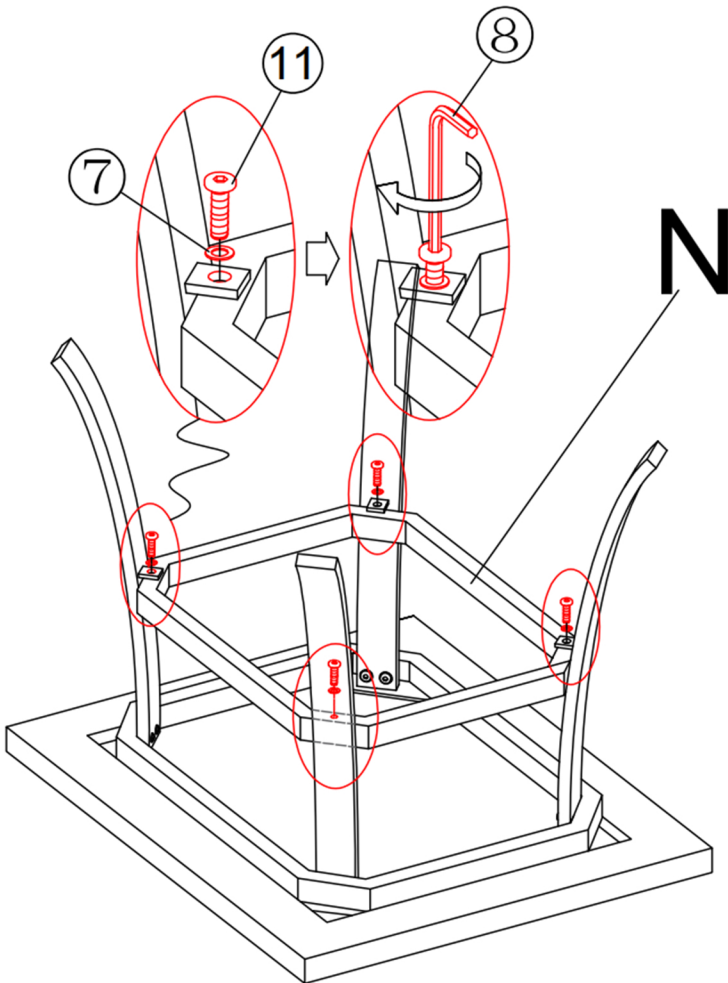
step 1

Install all four legs (M) onto the table frame (V) as shown, Add one washer (7) on each bolt (10) as shown, then align the bolt holes on both legs (M) and table frame (V), then use the allen wrench (8) provided to tighten all bolts by 30%-50% at first, ensuring that all bolts are aligned correctly before tightening all bolts.



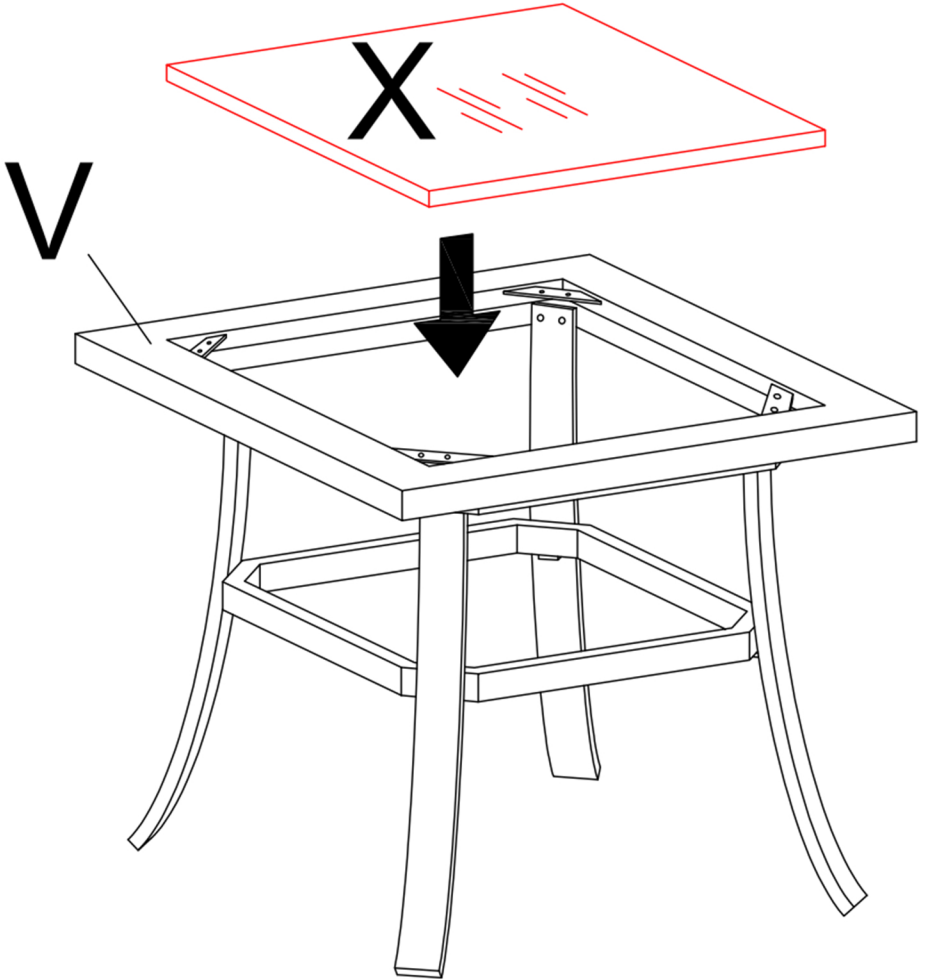
step 2

Install the iron frame (N) onto the legs as shown. Add one washer (7) on each bolt (11) as shown, then align the bolt holes on both iron frame (N) and legs, then use the allen wrench (8) provided to tighten all bolts by 30%-50% at first, ensuring that all bolts are aligned correctly before tightening all bolts.



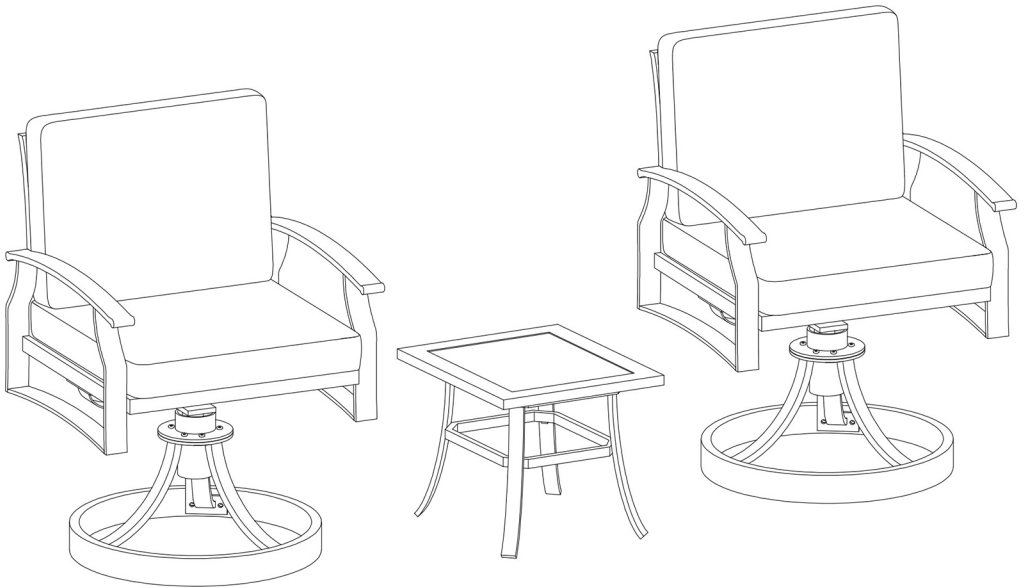
step 3

Place the tabletop (X) onto the table frame as shown, make sure they are aligned correctly.



step 4

The assembly is completed, thank you for choosing our product, please enjoy!



For better user experience, please carefully check all the screws, and make sure they are all fully tightened. (Use the allen wrench to twist each screw until it is fully tightened.)