

# Bariatric Corner Shower Seat (Rectangular) SPECIFICATIONS



The Ella's Bubbles Corner Shower Rectangular Seat is a stylish and practical addition to any accessible shower space, providing a safe and comfortable seating area. Designed for durability and ease of use, this seat offers stability and convenience while enhancing the overall showering experience.

- **Weight Capacity:** Supports up to **500 lbs (226 kg)** for a secure and reliable experience
- **Fixed Design:** This is a permanently mounted shower seat, providing a reliable and secure seating area.
- **Easy Installation:** Comes with pre-drilled mounting holes for a secure and reliable setup
- **Ergonomic Support:** Designed to provide comfort and accessibility in the shower

## Material & Construction

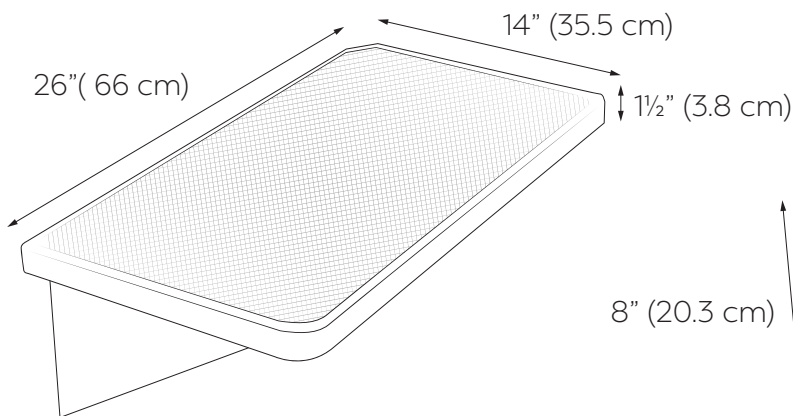
**Seat Surface:** Slip-resistant textured top for enhanced safety

**Frame:** Sturdy stainless steel frame with corrosion-resistant properties

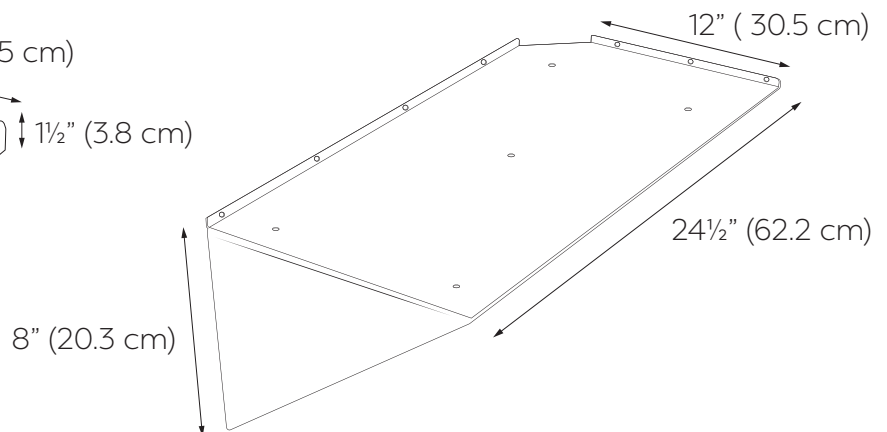
**Mounting Brackets:** Pre-drilled holes for secure wall mounting



Acrylic Surface



Stainless Still Mounting Bracket



Discover more products and additional information at  
[www.ellasbubbles.com](http://www.ellasbubbles.com)

Toll Free: 800-480-6850  
Office Direct: 312-666-3552