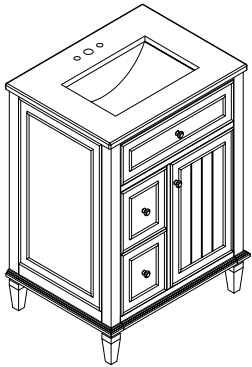


ASSEMBLY INSTRUCTIONS

Thank you for purchasing this quality Product. Be sure to check all packing material carefully for small parts, which may have come loose inside carton during shipment. Identify and count all parts and compare with the parts list below.


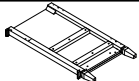
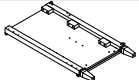
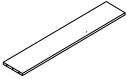
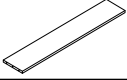
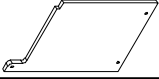

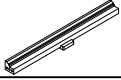
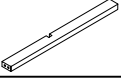
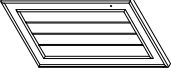


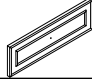
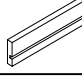

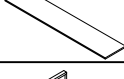
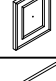



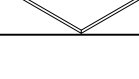
ASSEMBLY INSTRUCTION:

1. Remove hardware from box and sort by size.
2. Please check to see that all hardware and parts are present prior start of assembly.
3. Please follow attached instruction in the same sequence as numbered asure fast and aesy assembly.

WARNING!

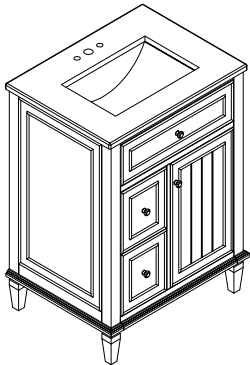
1. Dont attempt to repair or modify parts that are broken or defective. Prease contact the store immediately.
2. This productis for home use only and not intended for commercial esablishments.
3. Two persons are required for assembly.
4. Approximate assembly time 1/2 hours.
5. Component parts and fittings contained in the box. Prease sort out all parts before you begin to assemble the item. This is to make sure you always use the correct part.
6. It is **STRONGLY RECOMMENDED** that you **ANCHOR** this product.toling furniture can cause serious injuries and death. To prevent your furniture from tipping forward it is strongly recommended that you securely attach this product to a wall other solid surface, using the anchor straps provided appropriate fixings.

No.	Component	Q'ty
A	 Sink	1
B	 Side Panel (L)	1
C	 Side Panel (R)	1
D	 Back Panel Up	1
E	 Back Panel Bottom	1
F	 Middle Panel	1
G	 Bottom Panel	1
H	 Front Rail Top	1
I	 Front Rail Mid	1
K	 Door	1

No.	Component	Q'ty
L	 Front Flip down Box	1
M	 Back Flip down Box	1
N	 Sides Flip down Box	2
O	 Bottom Flip down Box	1
P	 Front Drawer Panel	2
Q	 Back Drawer Panel	2
R	 Bottom Drawer Panel	2
S	 Sides Drawer Panel	4
T	 Adjustable Shelf	1

ASSEMBLY INSTRUCTIONS

Thank you for purchasing this quality Product. Be sure to check all packing material carefully for small parts, which may have come loose inside carton during shipment. Identify and count all parts and compare with the parts list below.


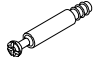


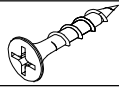

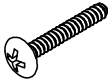
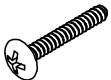




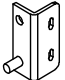
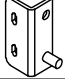
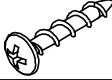





ASSEMBLY INSTRUCTION:

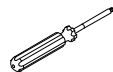
1. Remove hardware from box and sort by size.
2. Please check to see that all hardware and parts are present prior start of assembly.
3. Please follow attached instruction in the same sequence as numbered asure fast and aesy assembly.

WARNING!

1. Dont attempt to repair or modify parts that are broken or defective. Prease contact the store immediately.
2. This productis for home use only and not intended for commercial esablishments.
3. Two persons are required for assembly.
4. Approximate assembly time 1/2 hours.
5. Component parts and fittings contained in the box. Prease sort out all parts before you begin to assemble the item. This is to make sure you always use the correct part.
6. It is **STRONGLY RECOMMENDED** that you **ANCHOR** this product.toling furniture can cause serious injuries and death. To prevent your furniture from tipping forward it is strongly recommended that you securely attach this product to a wall other solid surface, using the anchor straps provided appropriate fixings.

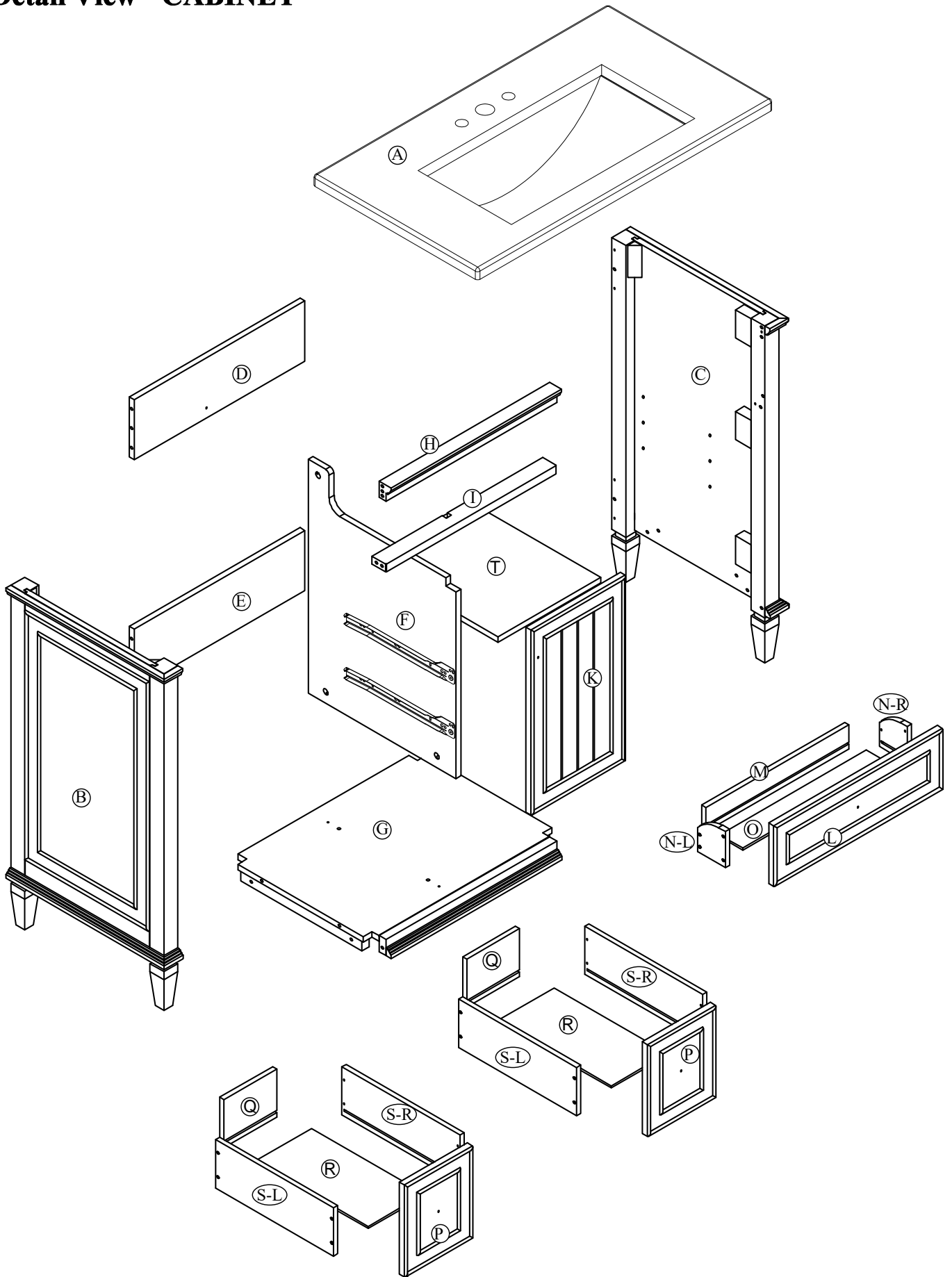
No.	Hardware		Q'ty
1		Cam Lock	15
2		Cam Lock Screws	15
3		Wooden \varnothing 8 x 30	18
4		Hinges	2
5		Screws M3.5x12	12
6		Knob	4
7		Screws M4x20	1
8		Screws M4x 32	3
9		Shelf Support	4

No.	Hardware		Q'ty
10		Rod Support hinges	1
11		Swivel Hinges (Right)	1
12		Swivel Hinges (Left)	1
13		Screws M3.5x12	12
14		Screws M4x20	24
15		Allen Bolts 1/4" x 35	4
16		Spring washers 1/4" x 11 x 1.5	4
17		Flat washers 1/4" x 16 x 1.5	4
18		Allen wrench	1



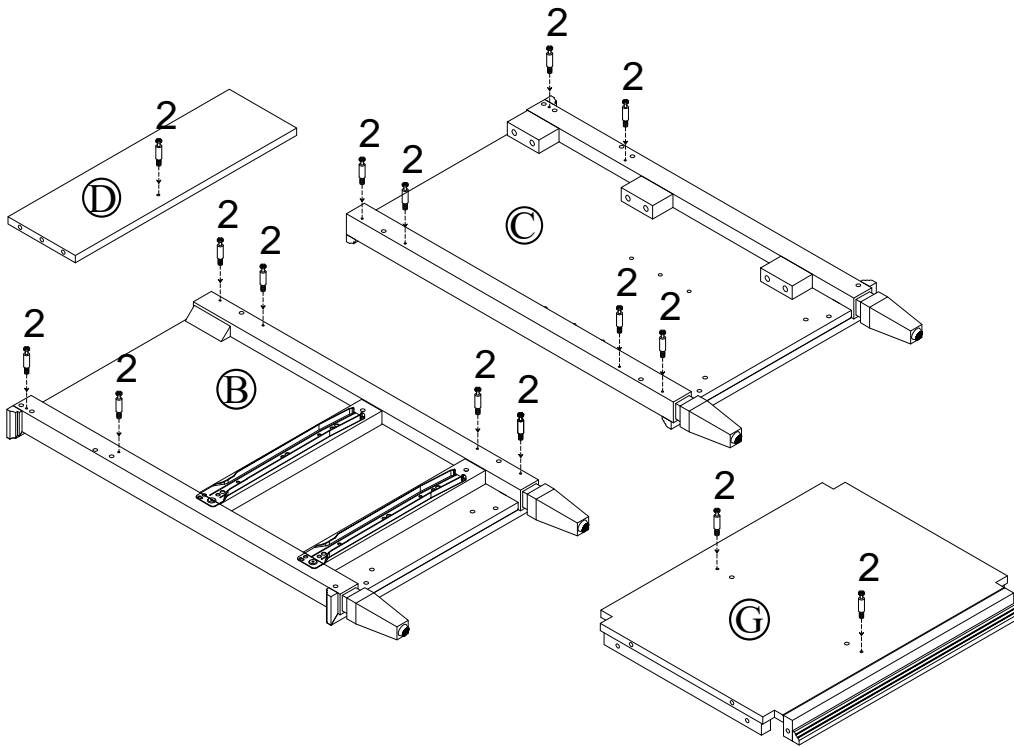
Not Included

Detail View - CABINET



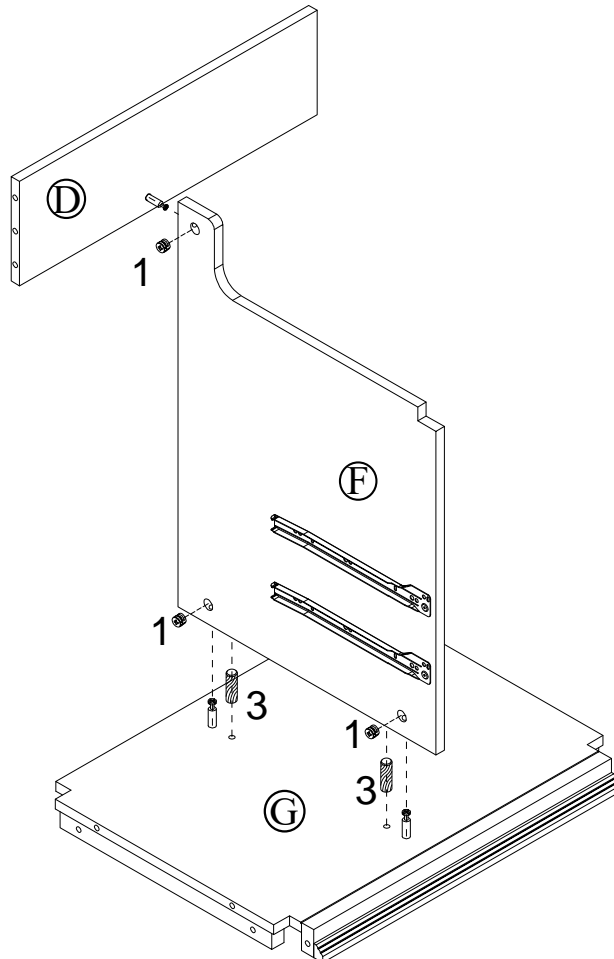
Identifying the Hardware - Identify the hardware using the illustrations below.

Step 1



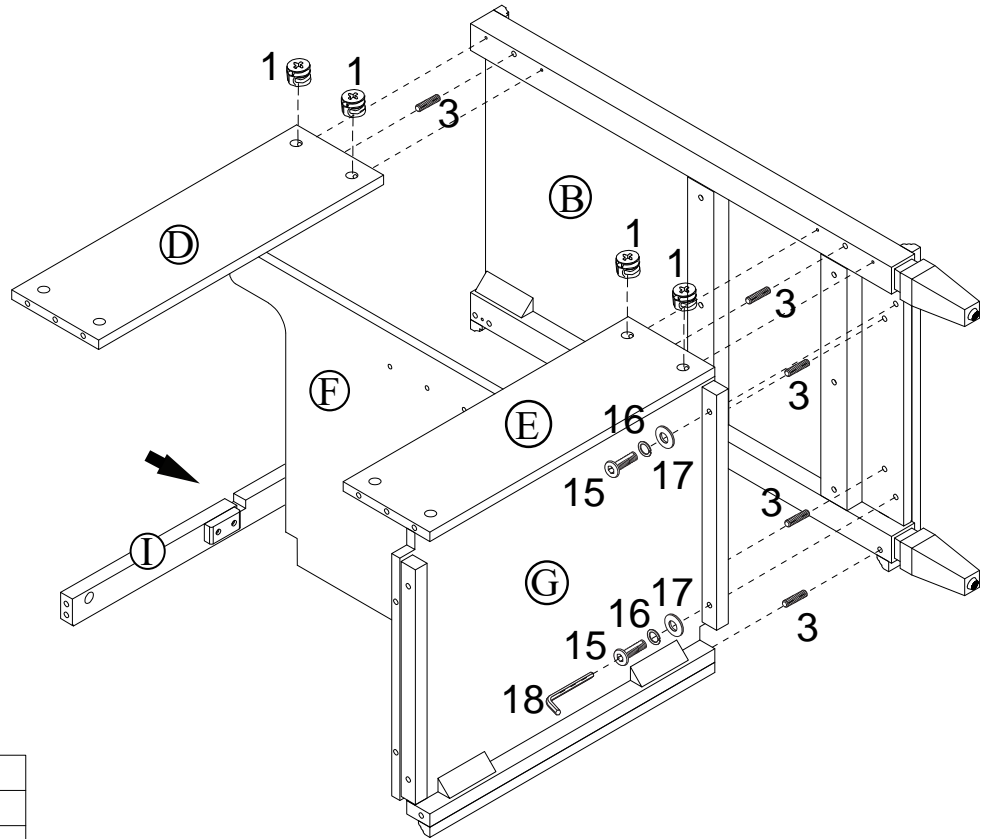
No	Hardware	Q'ty
2	Cam Lock Screws	15

Step 2



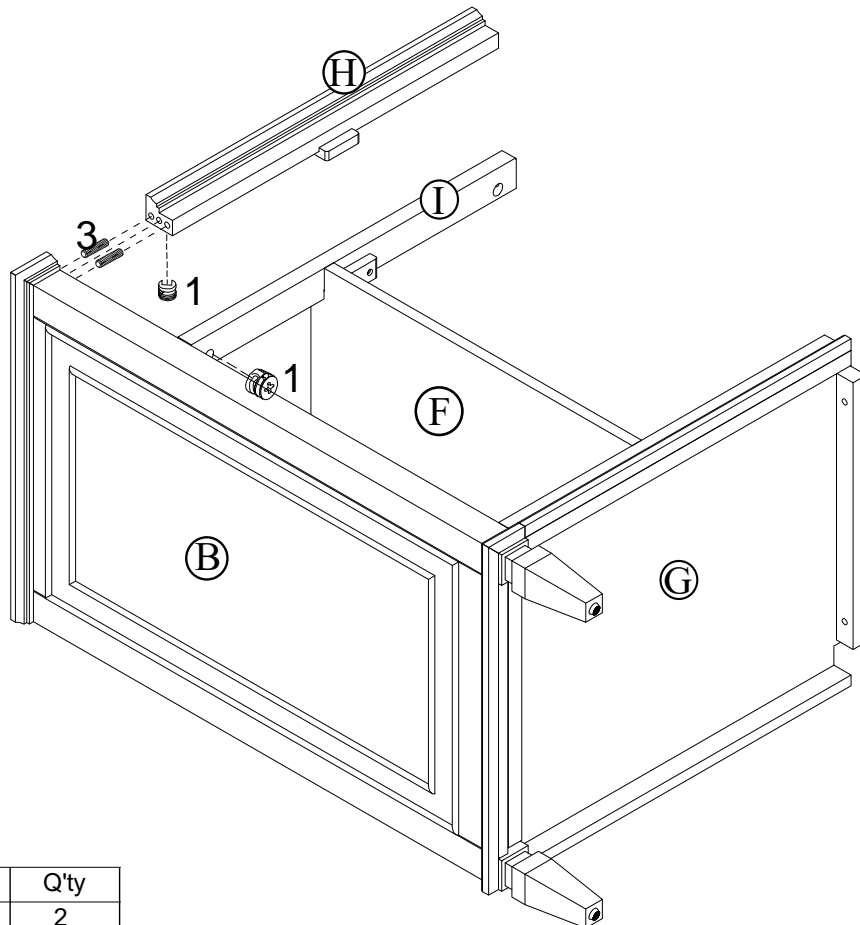
No	Hardware	Q'ty
1	Cam Lock	3
3	Wooden	2

Step 3



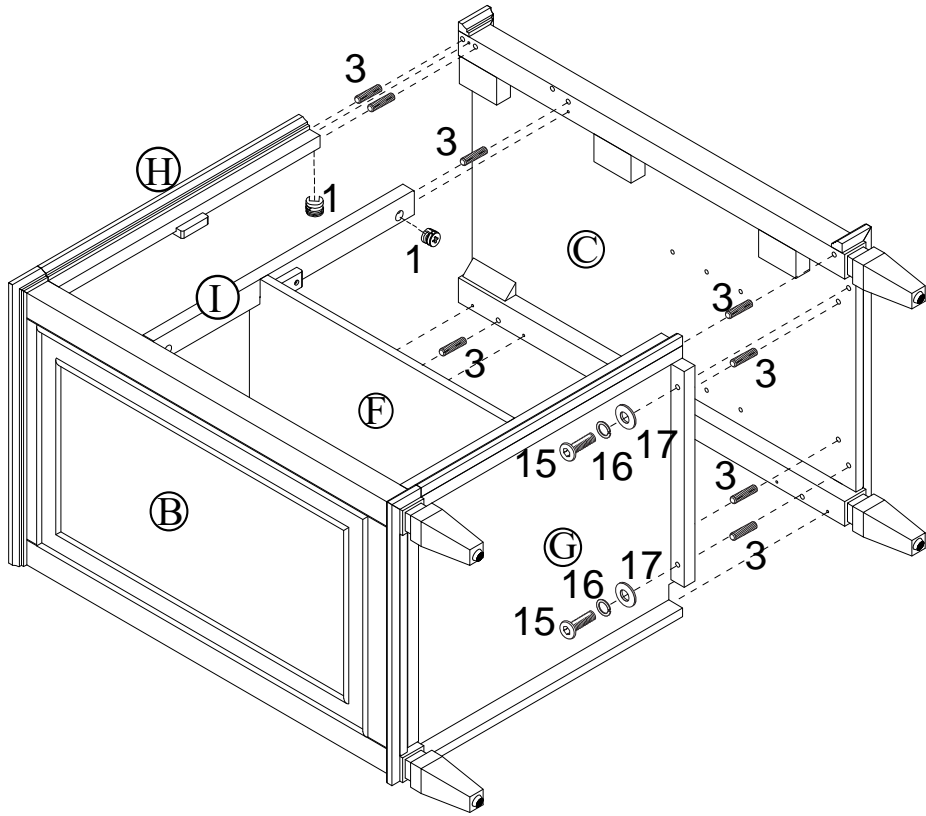
No	Hardware	Q'ty
1	Cam Lock	4
3	Wooden	6
15	Allen Bolts	2
16	Spring Washers	2
17	Flat Washers	2
18	Allen Wrench	1

Step 4

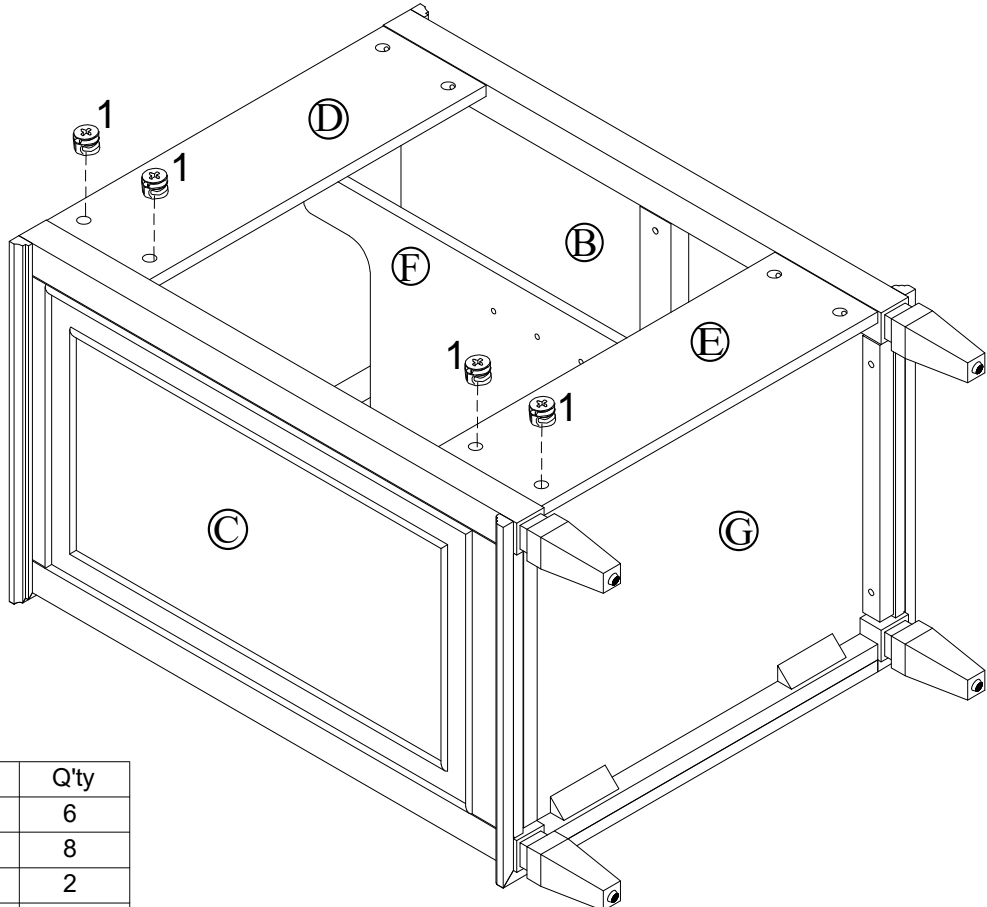


No	Hardware	Q'ty
1	Cam Lock	2
3	Wooden	2

Step 5

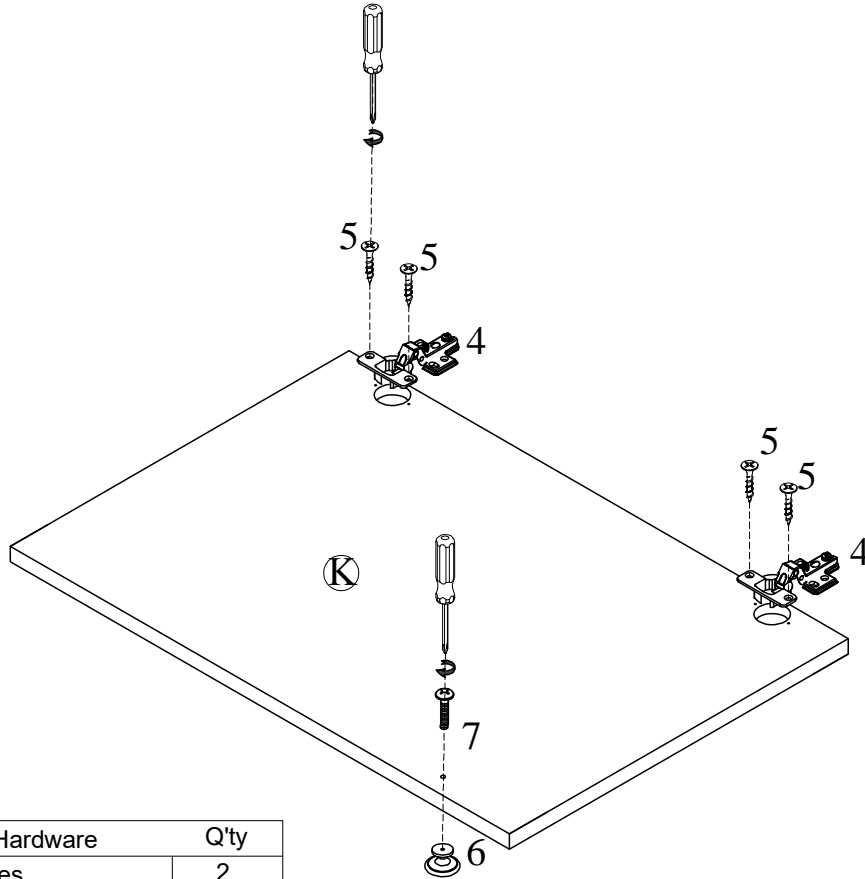


Rotate
(Turner)



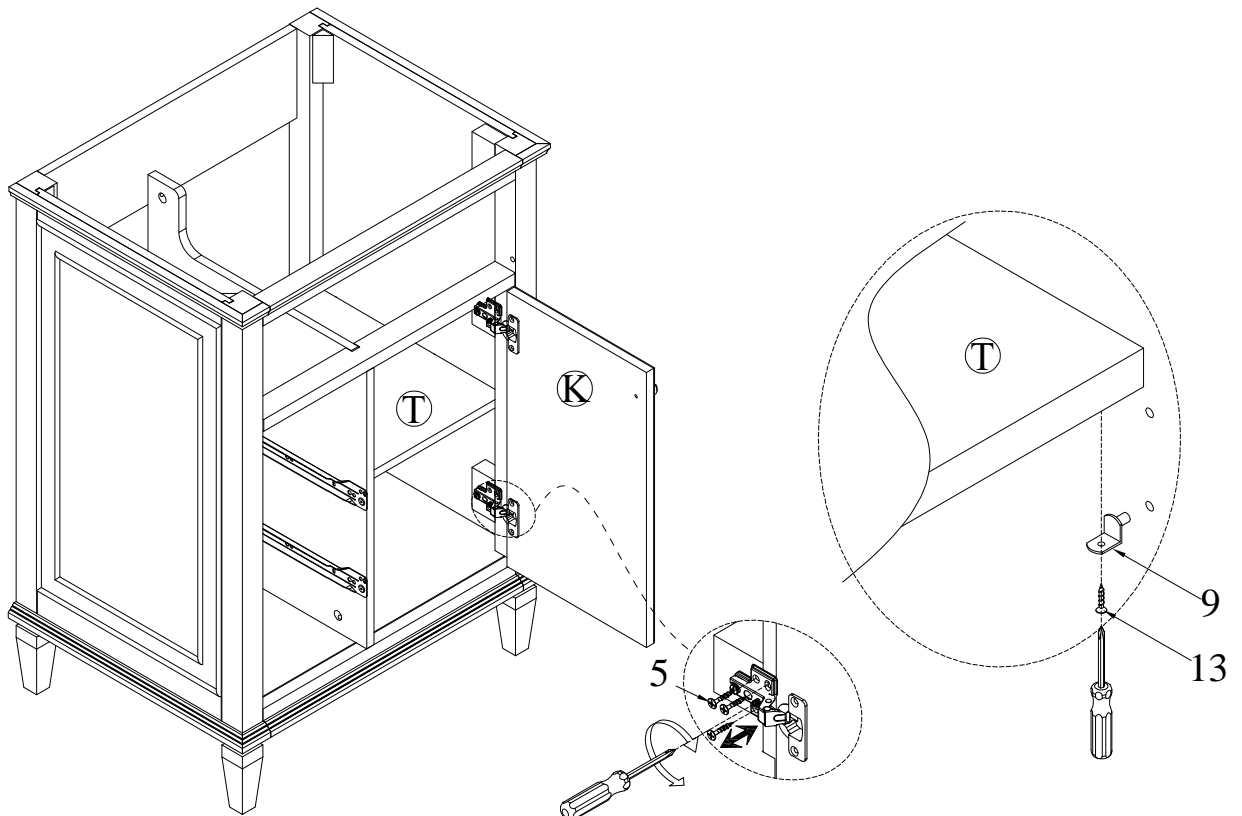
No	Hardware	Q'ty
1	Camlock	6
3	Wooden	8
15	Allen Bolts	2
16	Spring Washers	2
17	Flat Washers	2
18	Allen Wrench	1

Step 6



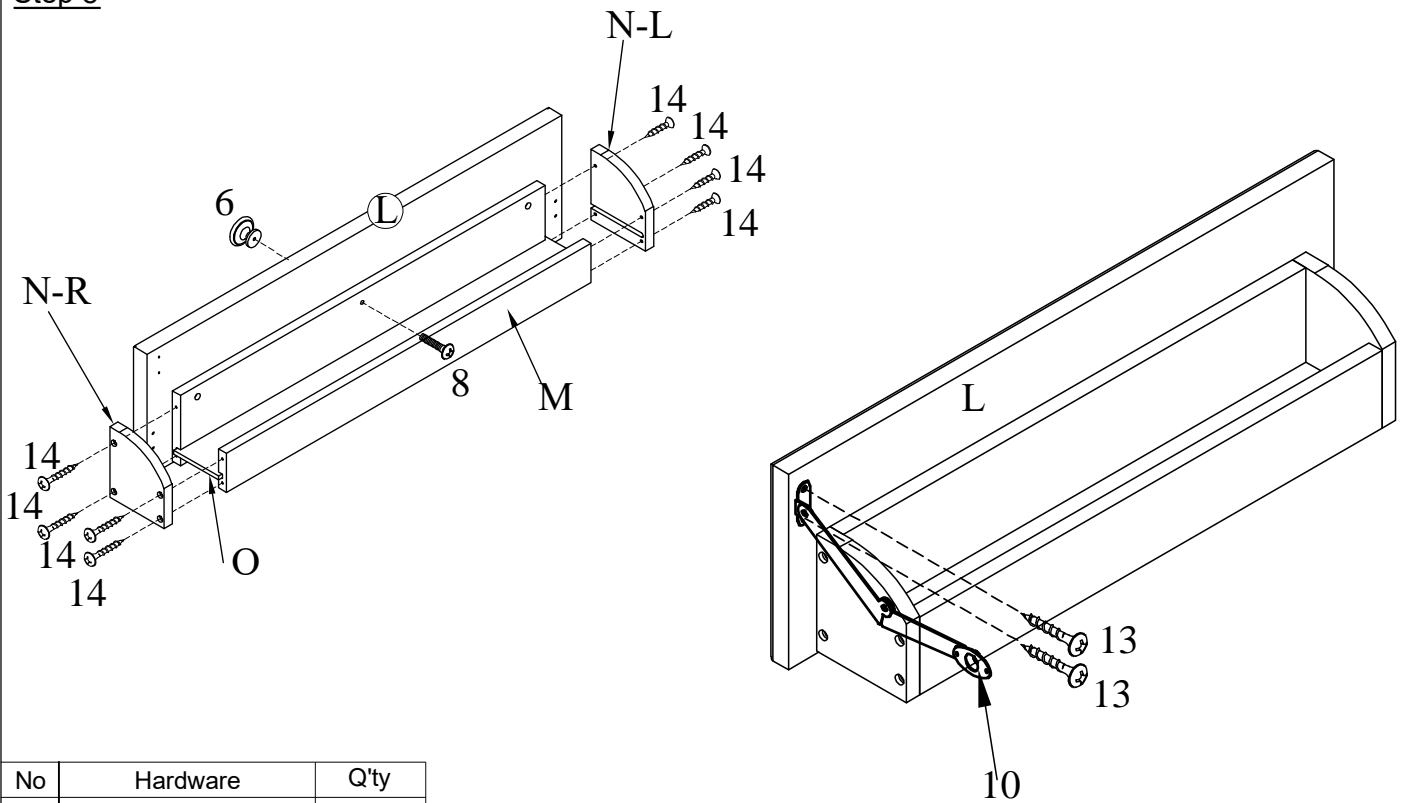
No	Hardware	Q'ty
4	Hinges	2
5	Screws M3.5 x 12	4
6	Knob	1
7	Screws M4 x 20	1

Step 7



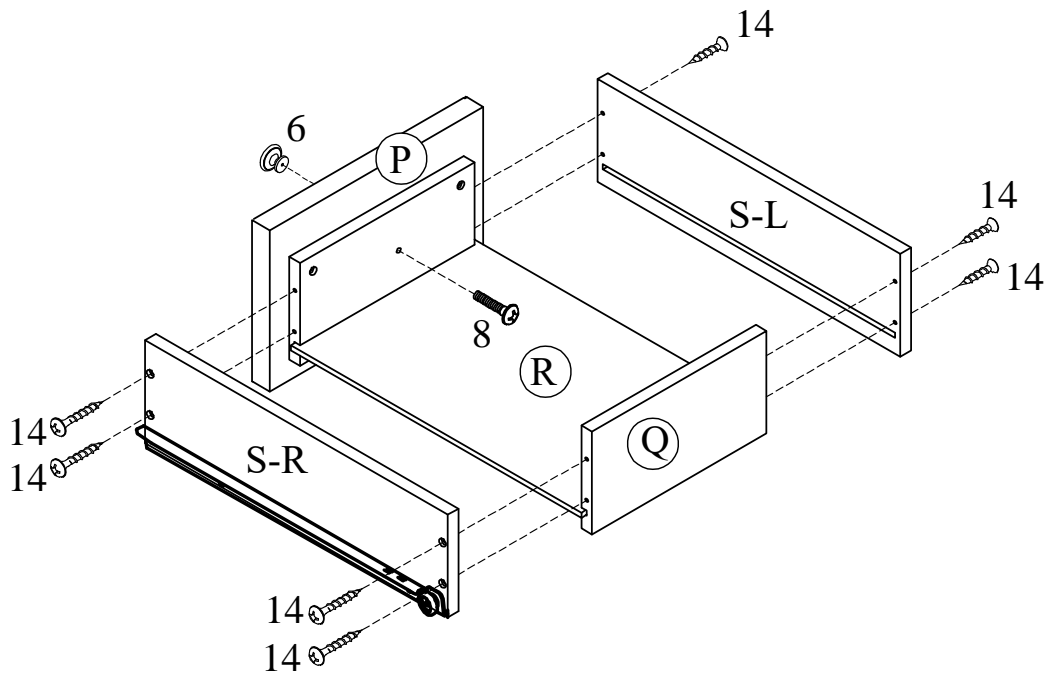
No	Hardware	Q'ty
5	Screws M3.5 x 12	8
9	Shelf Support	4
13	Screws M3.5 x 12	4

Step 8



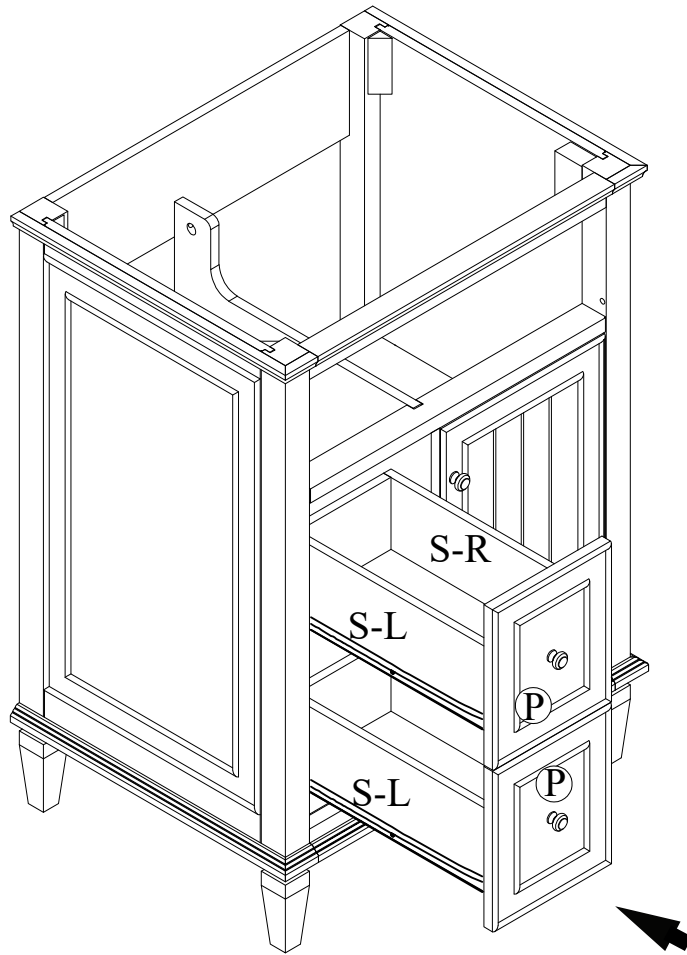
No	Hardware	Q'ty
6	Knob	1
8	Screws M4 x 32	1
10	Rod Support hinges	1
13	Screws M3.5 x 12	2
14	Screws M4 x 20	8

Step 9

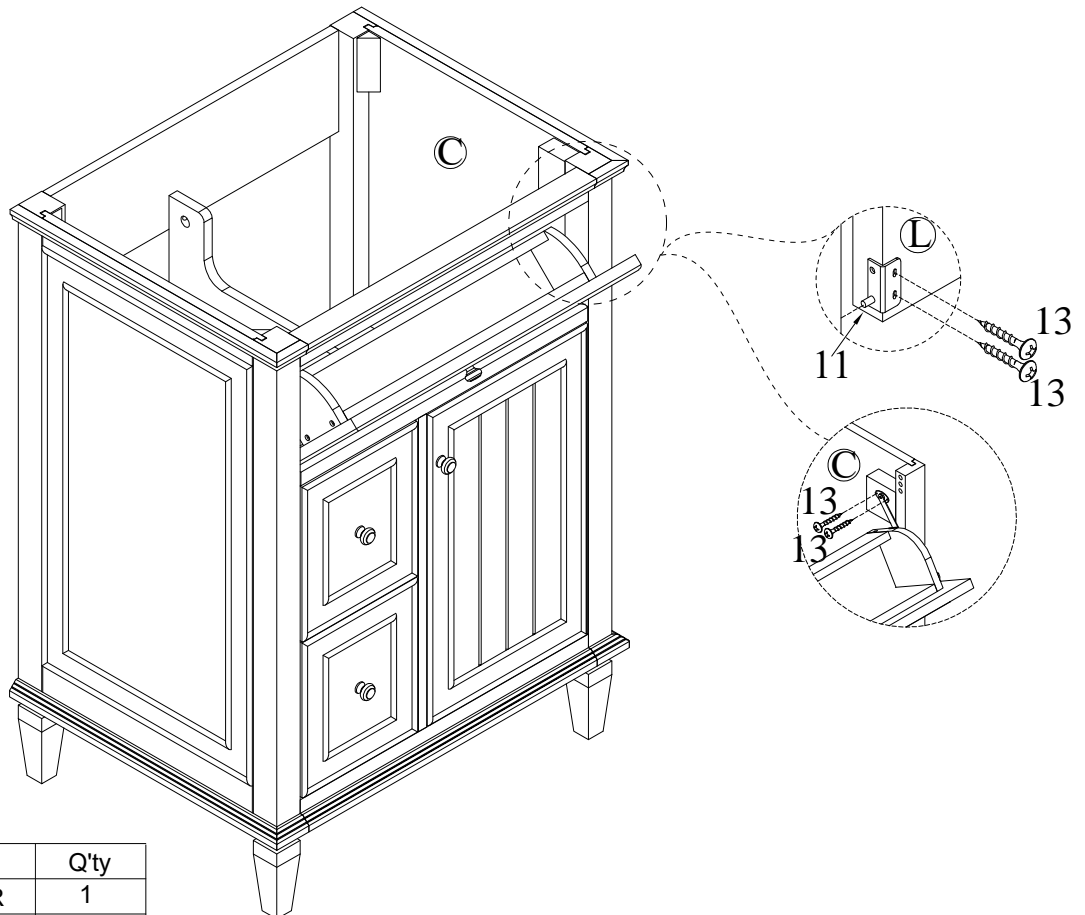


No	Hardware	Q'ty
6	Knob	2
8	Crews M4 x 32	2
14	Crews M4 x 20	16

Step 10



Step 11



No	Hardware	Q'ty
11	Swivel Hinges - R	1
12	Swivel Hinges - L	1
13	Crews M3.5 x 12	6

Step 12

