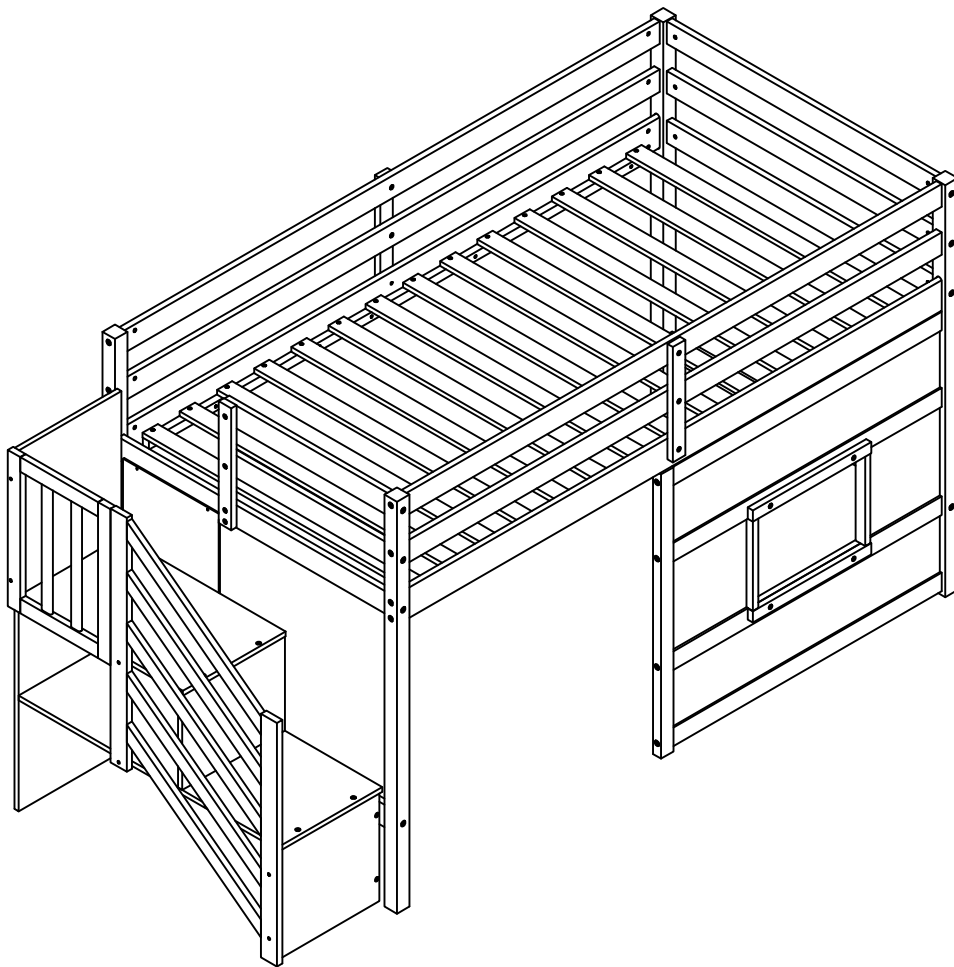


ASSEMBLY INSTRUCTIONS

LOFT BED WITH STAIR



SAFETY WARNINGS AND GENERAL NOTES:

Follow the information on the warnings on the loft bed end structure and on the carton. Do not remove the warning label from the bed. Always use the recommended size mattress on mattress support, or both, to help prevent the likelihood of entrapment or falls.

The top surface of the mattress must be at least 5*inch (127mm) below the upper edge of the guardrail.

Do not allow children under 6 years of age to use the upper bunk.

Periodically check and ensure the guardrail, ladder and other components are in their proper position, free from damage, and all connectors are tight.

Do not allow horseplay on or under beds.

Always prohibit jumping on the bed.

Prohibit more than one person on upper bunk.

Always use the ladder for entering and leaving the upper bunk.

Do not use substitute parts. Contact the manufacturer or dealer for replacement parts.

Use of a night-light may provide added safety precaution for a child using the upper bunk.

Always use guardrails on both long sides of the upper bunk.

If the loft bed will be placed next to a wall, the guardrail that runs the full length of the bed should be placed against the wall to prevent entrapment between the bed and the wall.

The use of water or sleep flotation mattresses is prohibited.

STRANGULATION HAZARD-Never attach or hang items to any part of the loft bed that are not designed for use with the bed.

Keep these instructions for future reference.

We recommend assembling your loft bed on the shipping carton to protect your floor or carpet.

Be certain all staples are out of the box before beginning assembly on the shipping carton.

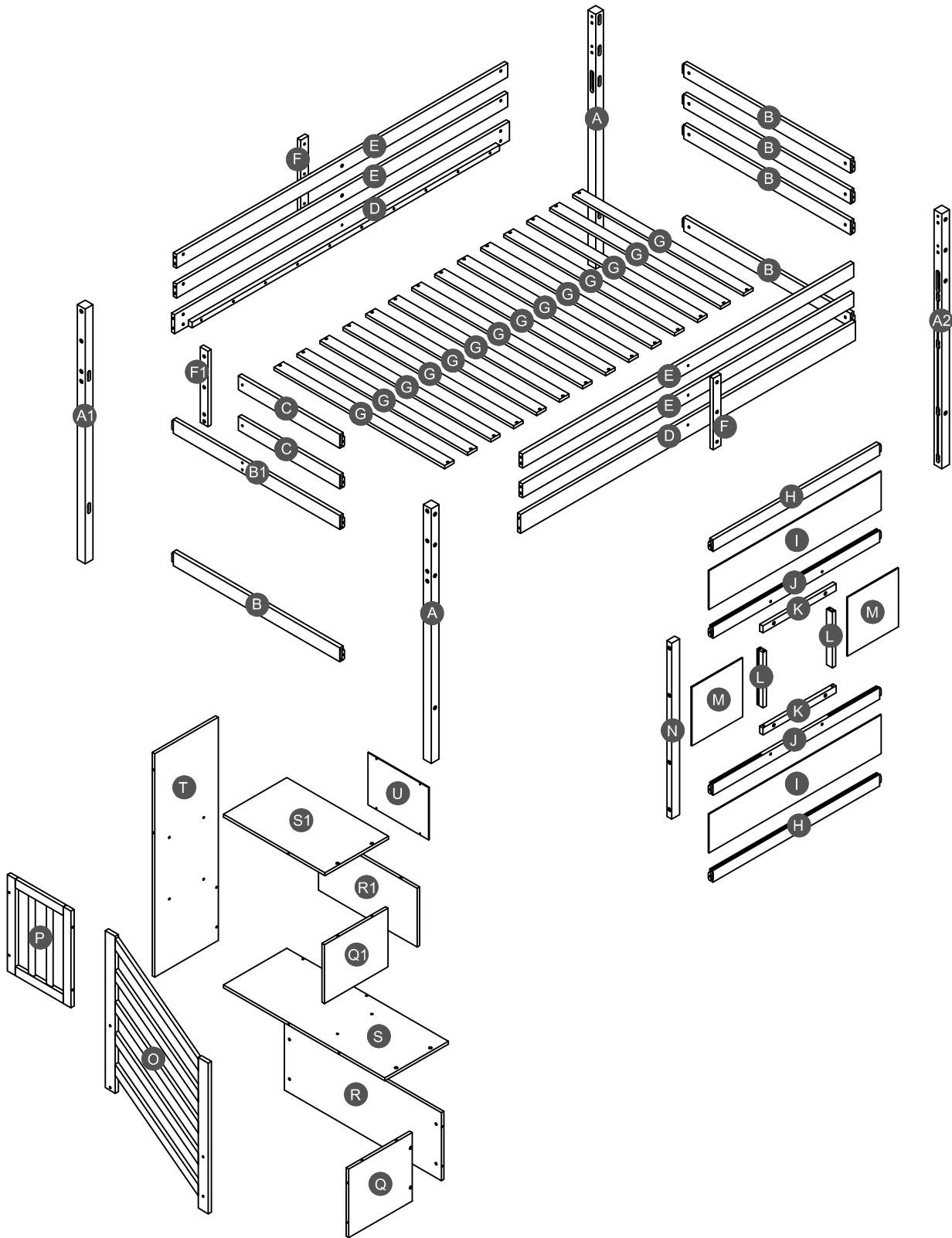
USE ONLY MATTRESSES WHICH ARE 74"-75" LONG AND 38 1/2" WIDE ON UPPER BUNKS. ENSURE THICKNESS OF MATTRESS DOES NOT EXCEED 6".

SURFACE OF MATTRESS MUST BE AT LEAST 5" (127MM) BELOW THE UPPER EDGE OF GUARDRAILS.

Replacement Parts:

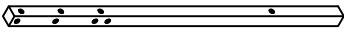
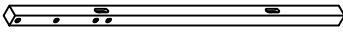

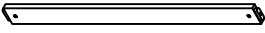
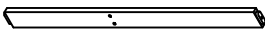
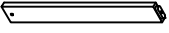


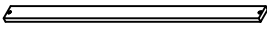
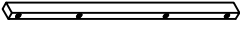
Replacement Parts, including additional guardrails, may be obtained from any of our (GIGACLOUD TECHNOLOGY (USA) INC. 18961 ARENTH AVENUE, CITY OF INDUSTRY , CA, 91748.) dealers

Detail View





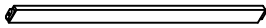
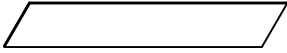




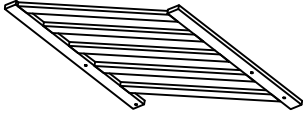
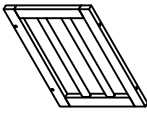
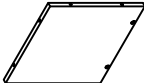

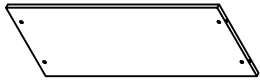

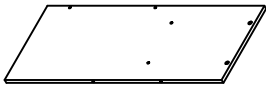

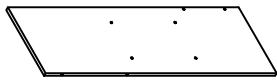
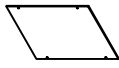
Part List

Hardware List WF304938

<p>A</p>  <p>Leg (Left front/Right back) - 2pcs</p>	<p>A1</p>  <p>Leg (Left back) - 1pc</p>	<p>A2</p>  <p>Leg (Right front) - 1pc</p>
<p>B</p>  <p>Horizontal bar HB/FB - 5pcs</p>	<p>B1</p>  <p>Horizontal bar FB - 1pc</p>	<p>C</p>  <p>Upper horizontal bar FB - 2pcs</p>
<p>D</p>  <p>Side rail - 2pcs</p>	<p>E</p>  <p>Long guard rail - 4pcs</p>	<p>G</p>  <p>Slat - 14pcs</p>
<p>N</p>  <p>Lower vertical bar (front) - 1pc</p>		

Part List

WF304939

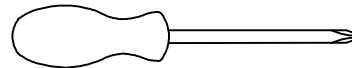
<p>F</p>  <p>Vertical guard rail - 2pcs</p>	<p>F1</p>  <p>Vertical guard rail FB - 1pc</p>	<p>H</p>  <p>Horizontal bar (Front) - 2pcs</p>
<p>I</p>  <p>Front panel - 2pcs</p>	<p>J</p>  <p>Horizontal bar (Front) - 2pcs</p>	<p>K</p>  <p>Vertical bar support - 2pcs</p>
<p>L</p>  <p>Horizontal bar support - 2pcs</p>	<p>M</p>  <p>Front panel - 2pcs</p>	<p>O</p>  <p>Guard rail - 1pc</p>
<p>P</p>  <p>Guard rail - 1pc</p>	<p>Q</p>  <p>Lower front panel - 1pc</p>	<p>Q1</p>  <p>Upper front panel - 1pc</p>
<p>R</p>  <p>Lower right side panel - 1pc</p>	<p>R1</p>  <p>Upper right side panel - 1pc</p>	<p>S</p>  <p>Lower step ladder panel -1pc</p>
<p>S1</p>  <p>Upper step ladder panel -1pc</p>	<p>T</p>  <p>Back panel - 1pc</p>	<p>U</p>  <p>Side panel - 1pc</p>

Hardware List WF304938

1  Ø10*40mm Wood dowel (8pcs)	2  Ø8*30mm Wood dowel (12pcs)	3  (Ø15)1/4"*100mm Hex-Head bolts (16pcs)
4  (Ø15)1/4"*80mm Hex-Head bolts (22pcs)	5  (Ø12)1/4"*60mm Hex-Head bolts (22pcs)	6  (Ø12)1/4"*30mm Hex-Head bolts (14pcs)
7  1/4"*15 (9.5mm) Horizontal-Hole bolts(58pcs)	8  (1/4")4.5*58mm Allen key (1pc)	9  Ø4*30mm Wood screws (28pcs)
10  40*17*17*1.6mm Metal bracket (5pcs)	11  Ø3.5*15mm Wood screws (24pcs)	





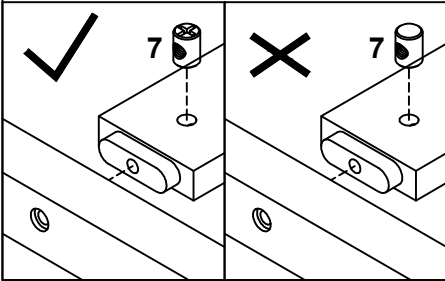
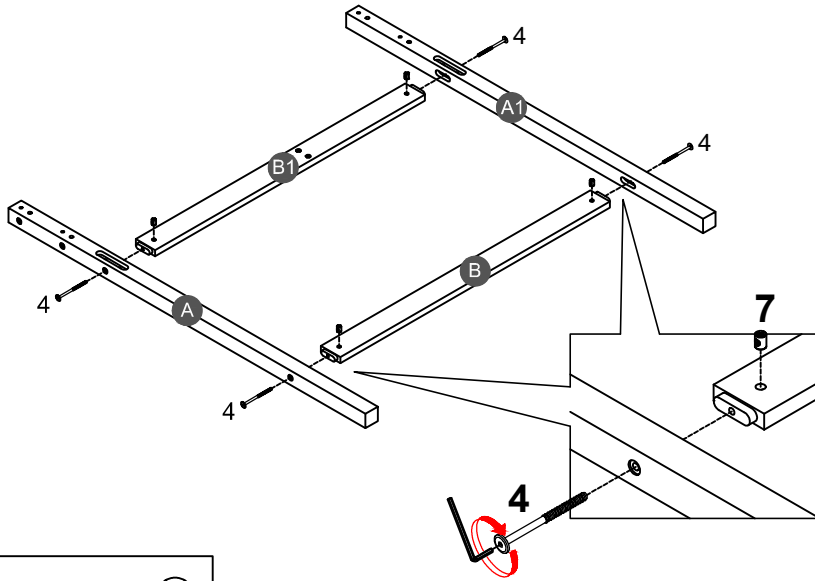
ASSEMBLY TOOLS REQUIRED (NOT INCLUDED)



PLEASE BE CAREFUL DO NOT DAMAGE THE HOLE POSITION WHEN YOU USE POWER TOOLS !



STEP 1:

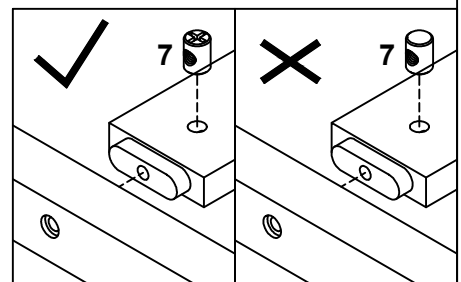
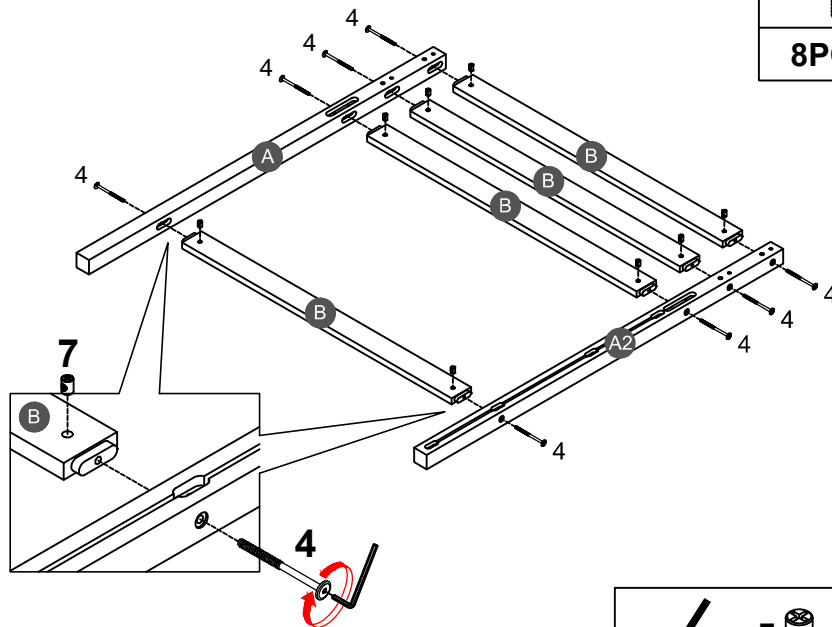
4		7	
4PCS		4PCS	



Note: Part 7 will face up with the "x" mark on it, otherwise it cannot be tightened

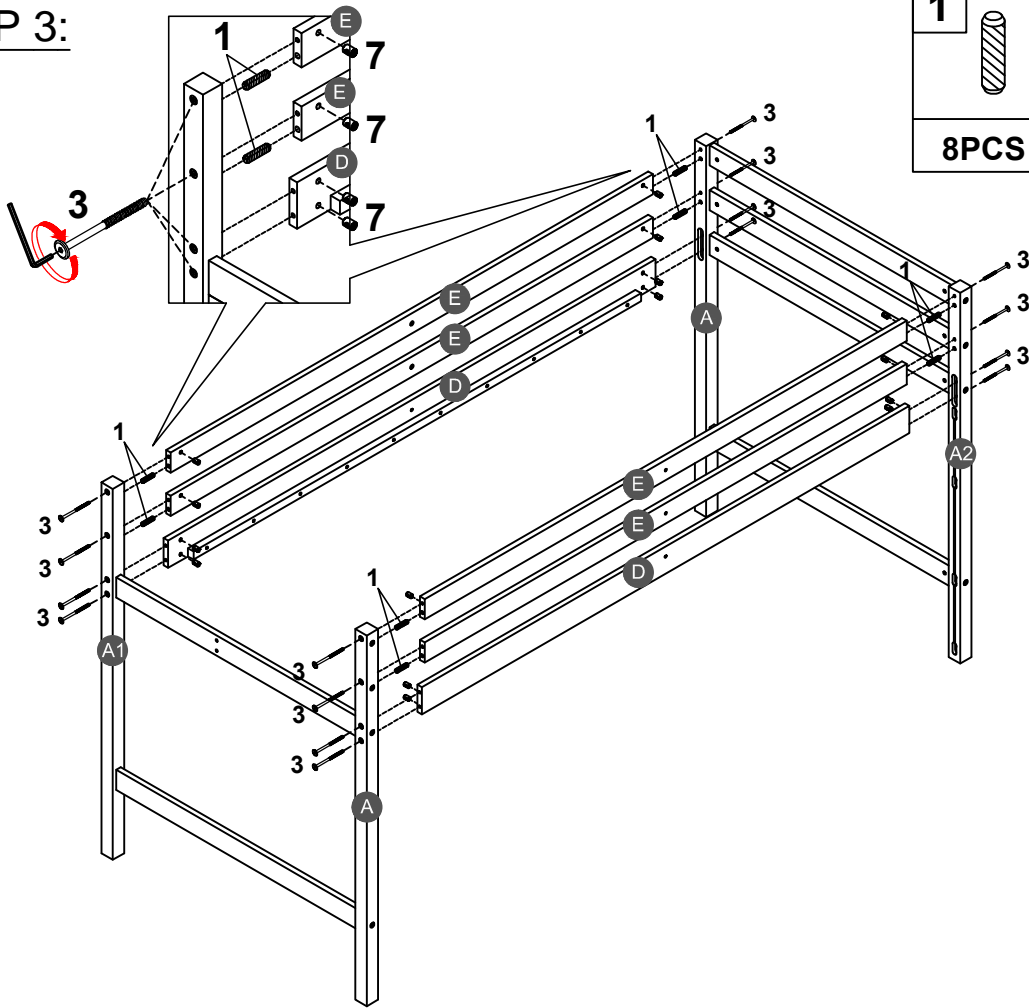
STEP 2:




4		7	
8PCS		8PCS	



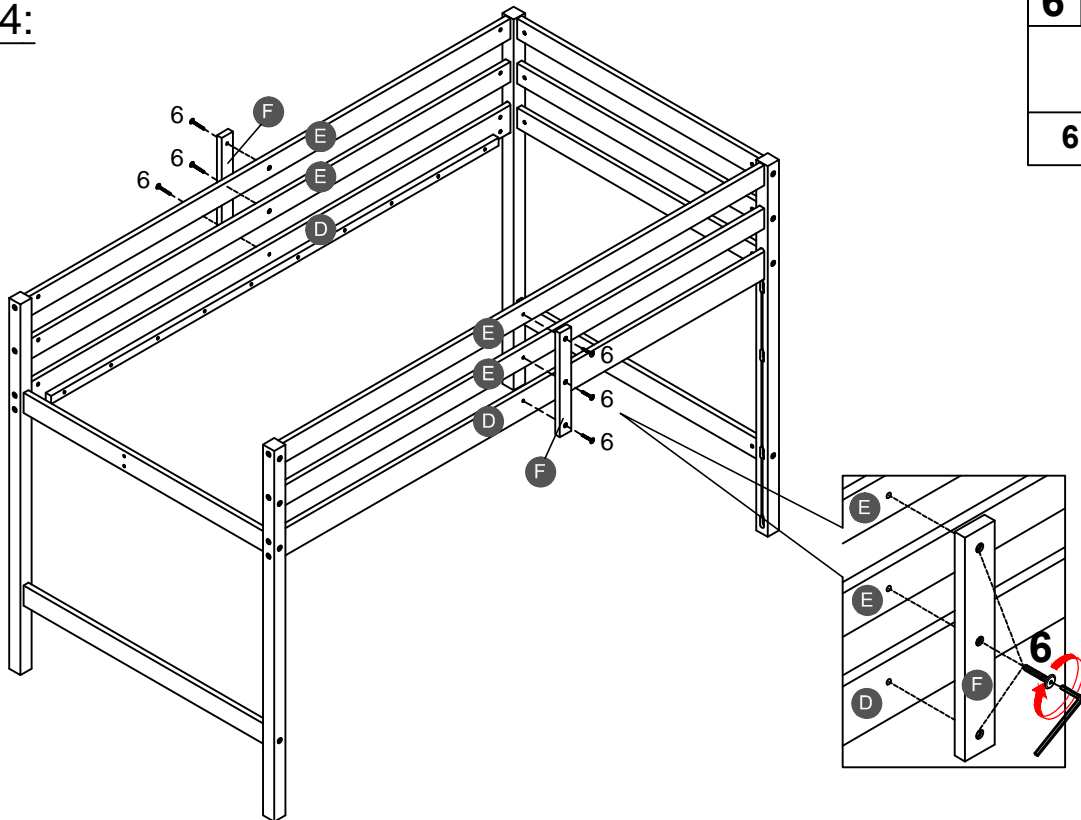
Note: Part 7 will face up with the "x" mark on it, otherwise it cannot be tightened


STEP 3:



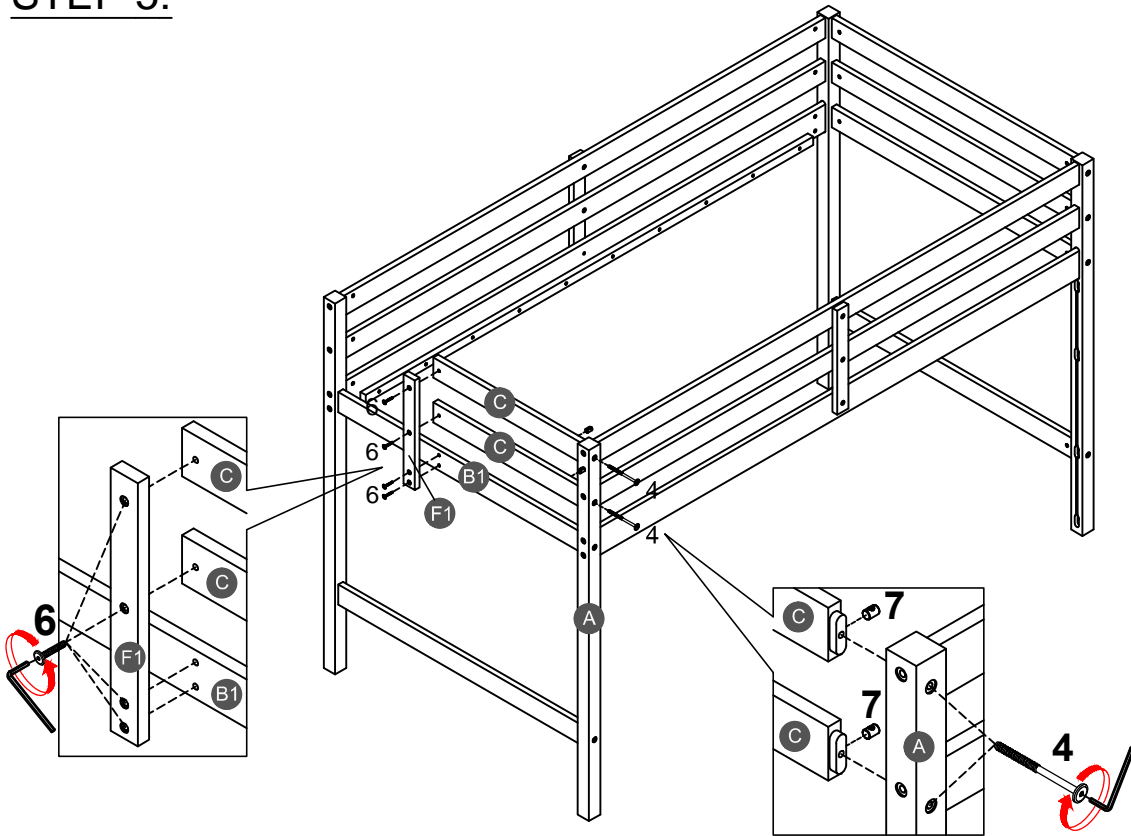
1		3	
8PCS		16PCS	
		7	
		16PCS	




STEP 4:



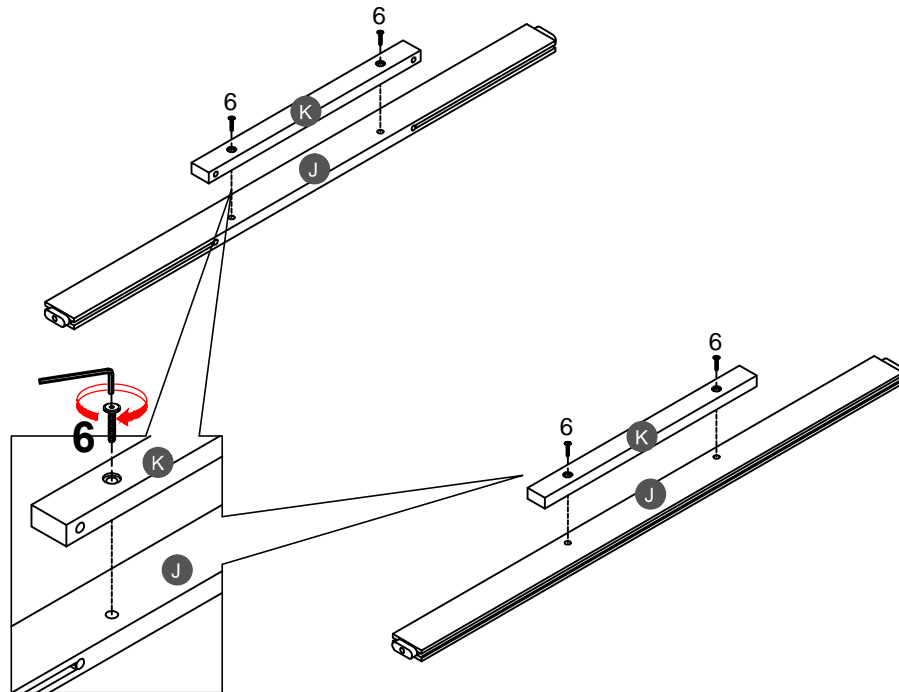
6	
6PCS	


STEP 5:



- 4** 
- 2PCS**
- 6** 
- 4PCS**
- 7** 
- 2PCS**

STEP 6:



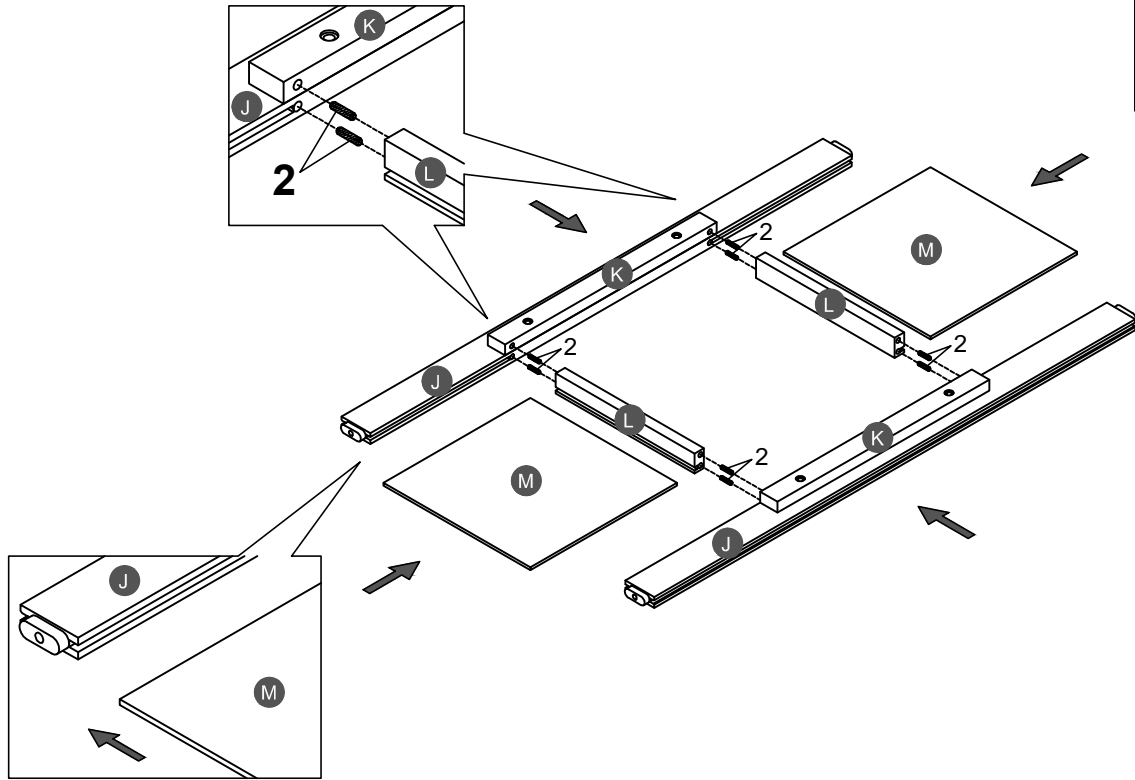
- 6** 
- 4PCS**

STEP 7:

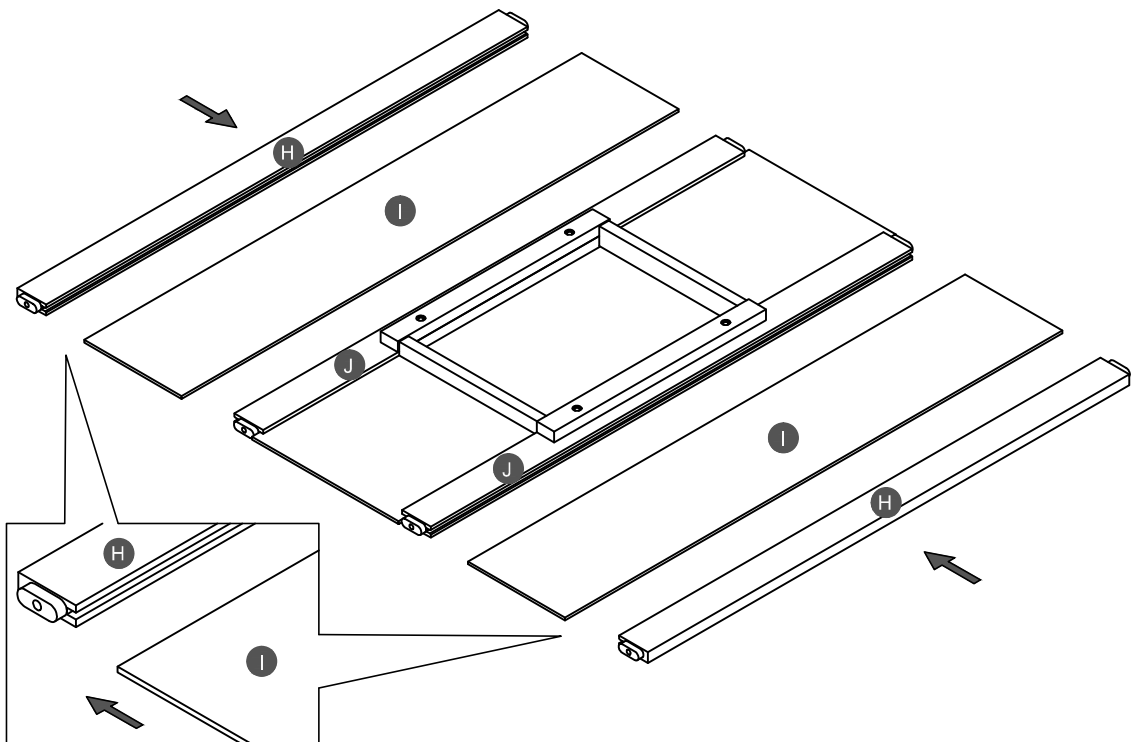
2



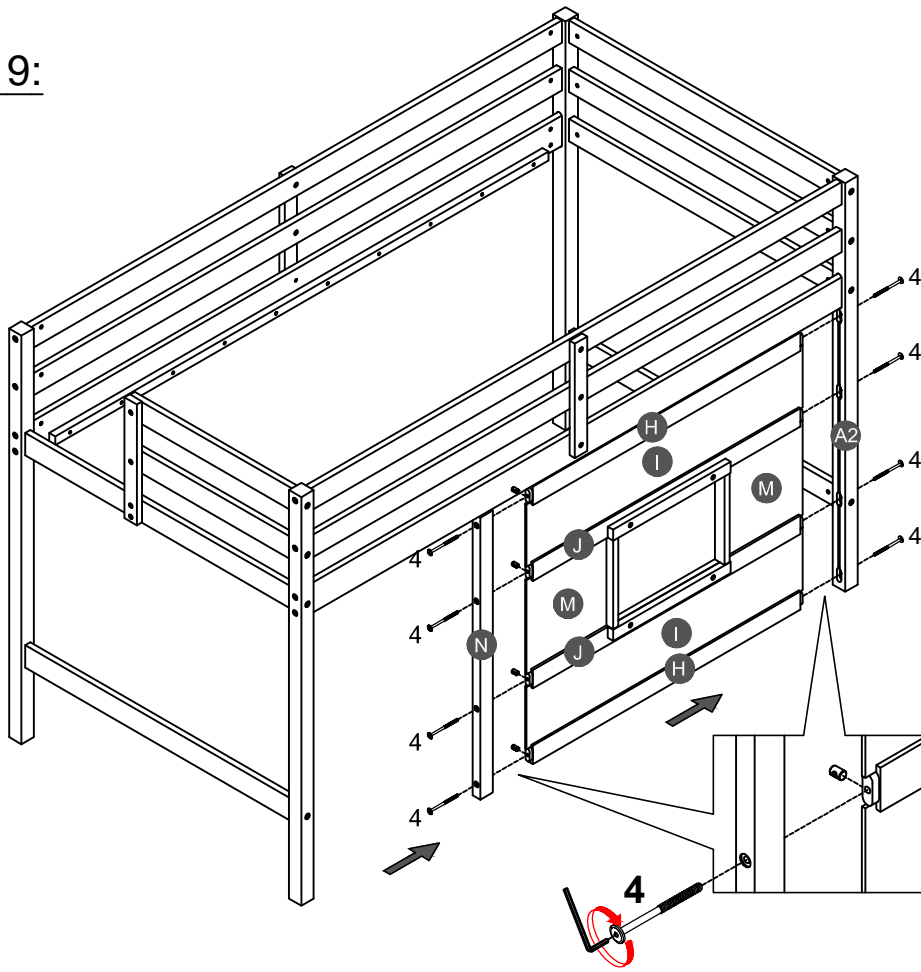
8PCS



STEP 8:

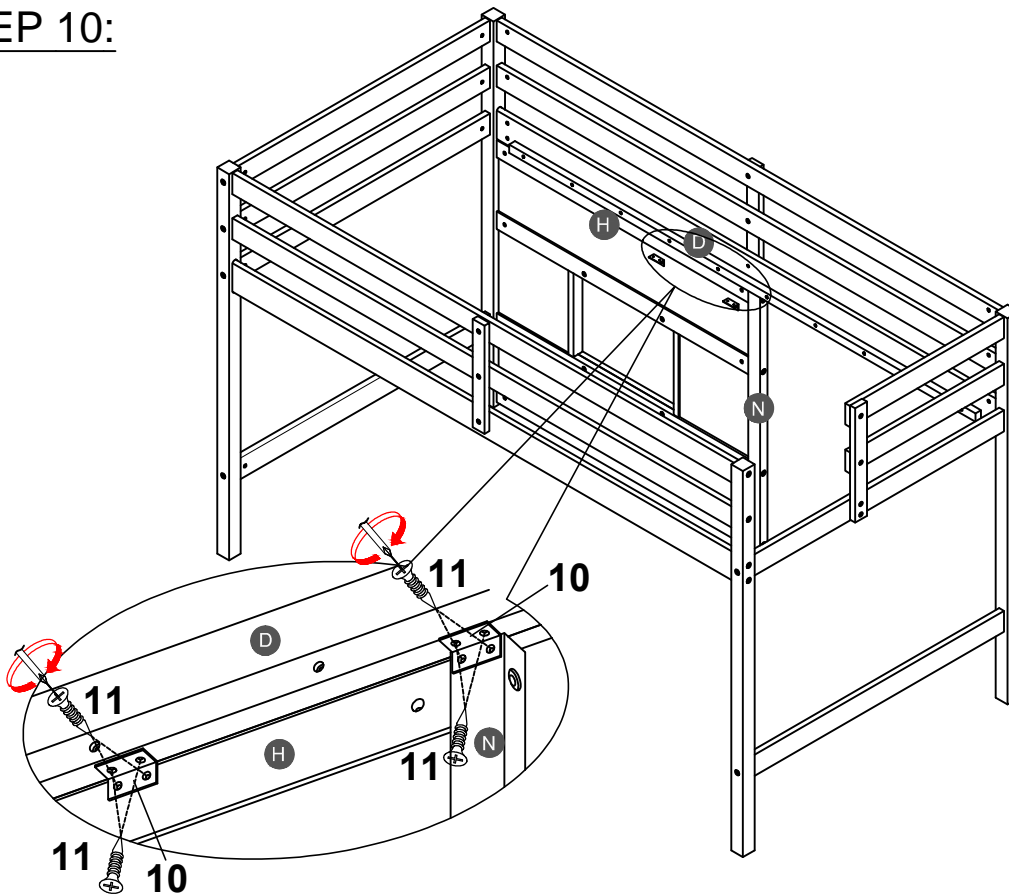


STEP 9:



4	
8PCS	
7	
8PCS	

STEP 10:



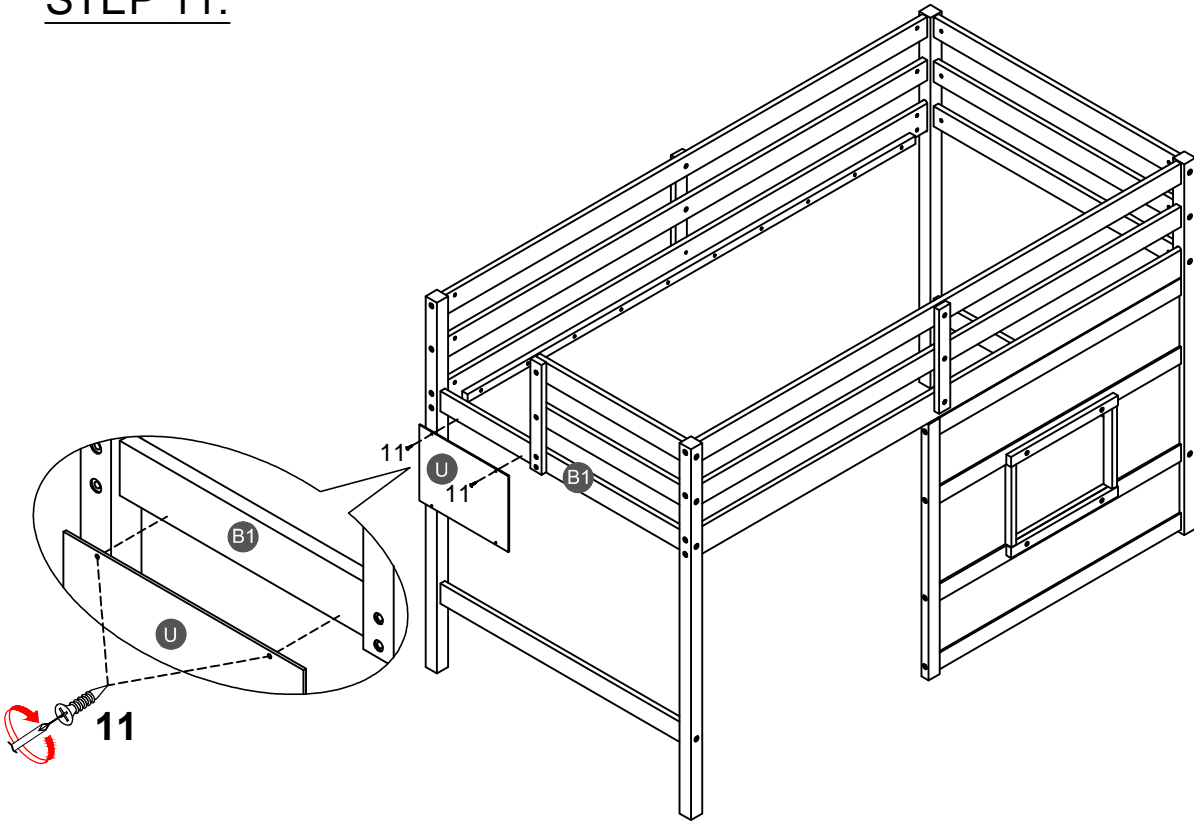
10	
2PCS	
11	
8PCS	

STEP 11:

11



2PCS



STEP 12:

2



4PCS

5

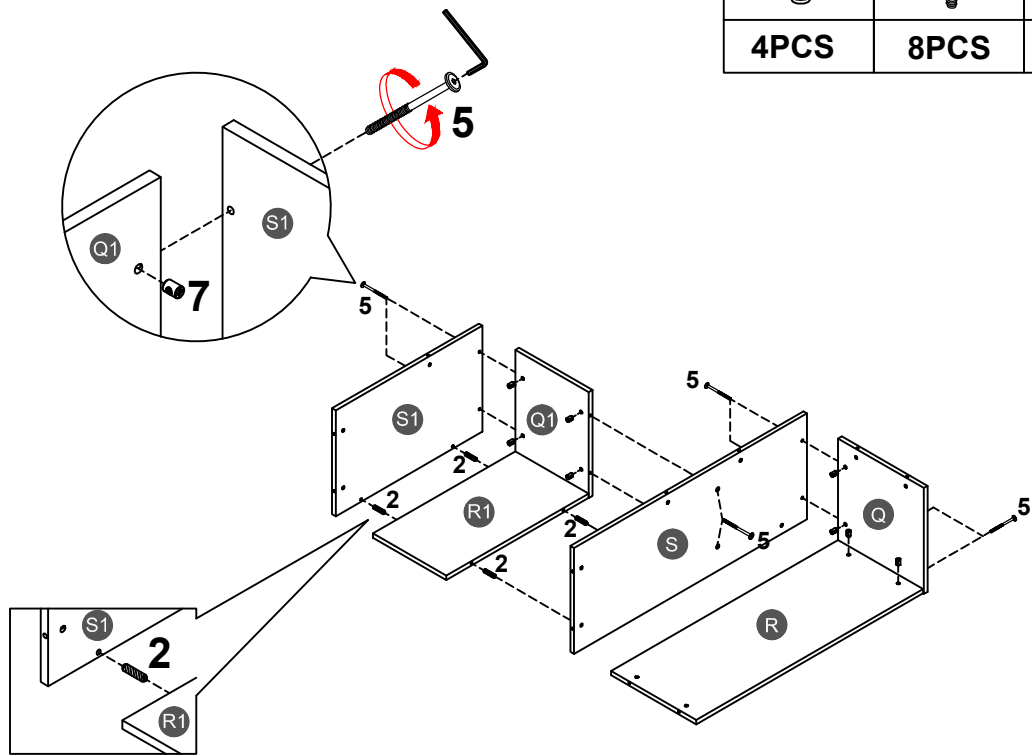


8PCS



7

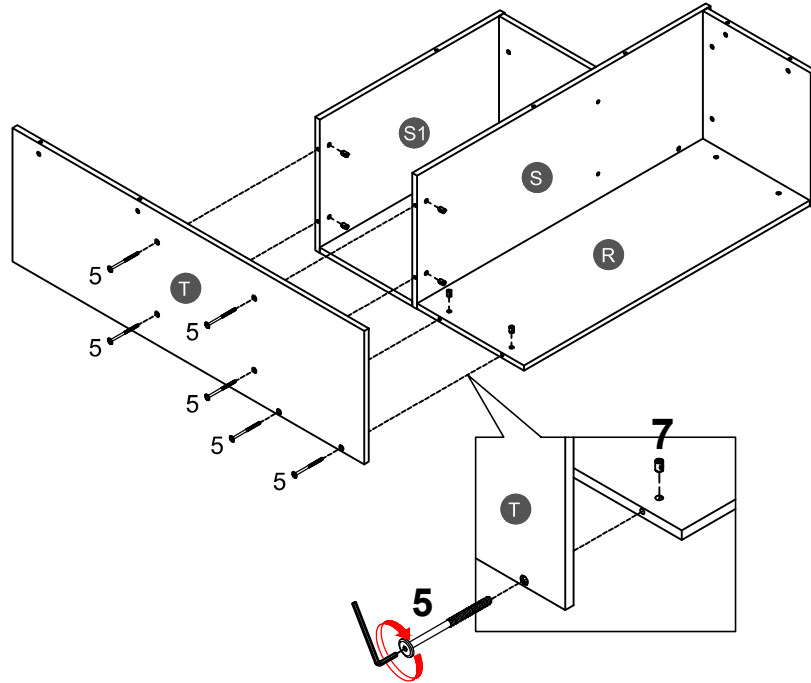


8PCS




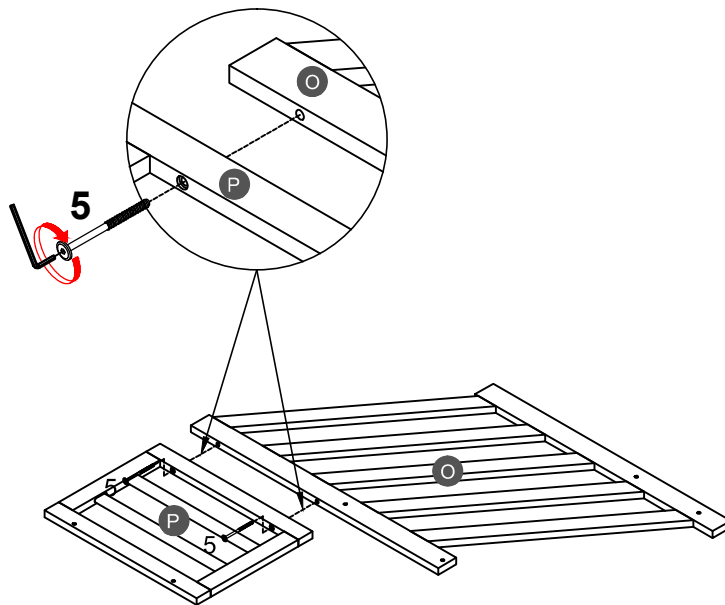
STEP 13:

5		7	
6PCS		6PCS	





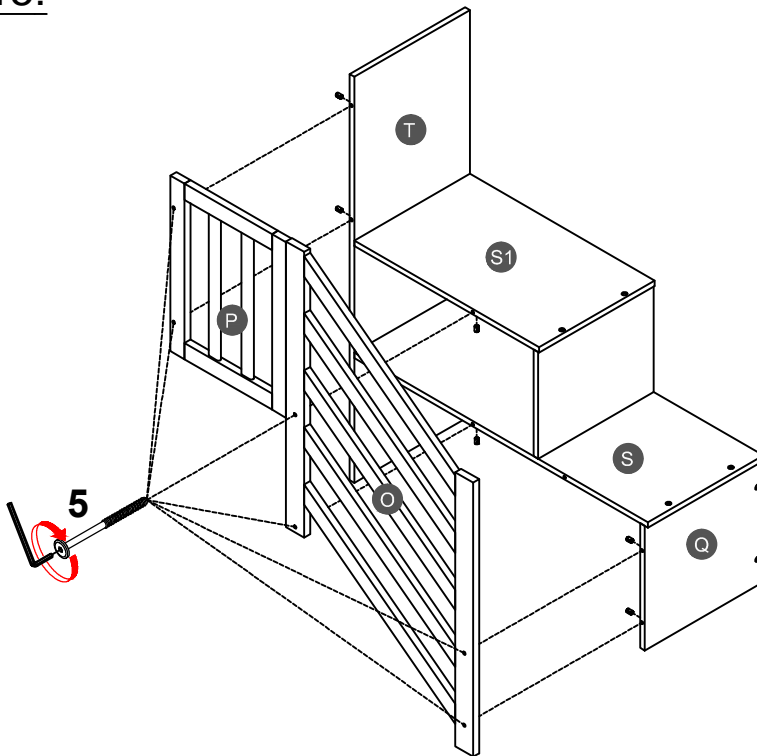
STEP 14:

5	
2PCS	

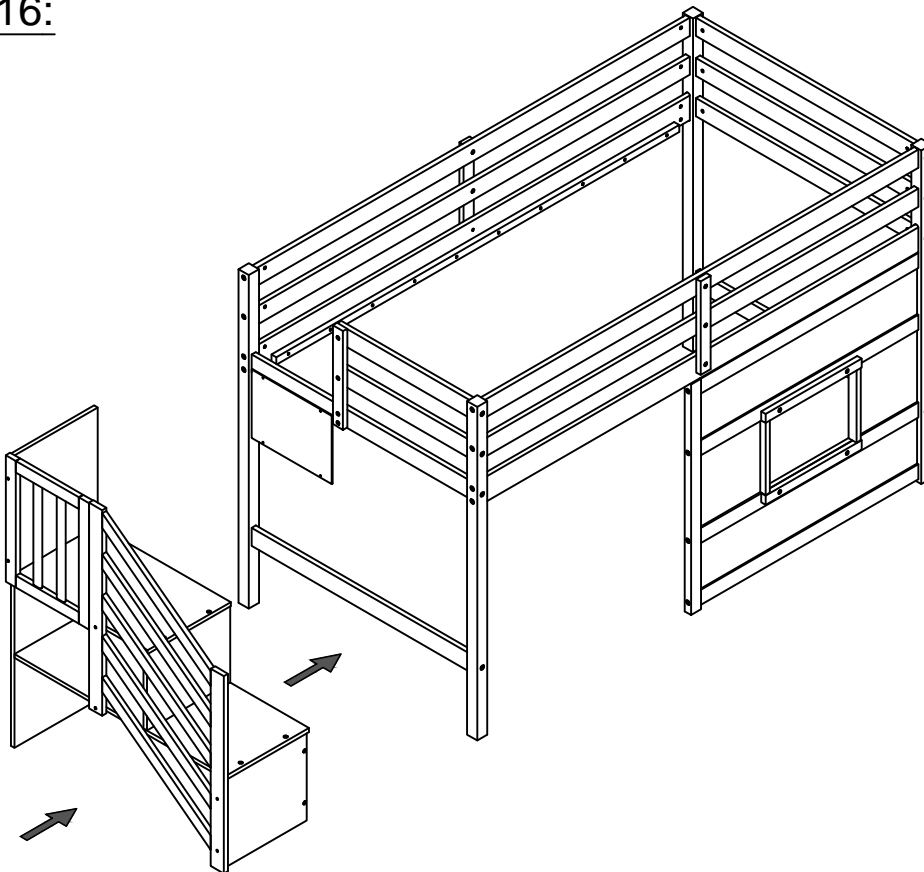


STEP 15:



5		7	
6PCS		6PCS	

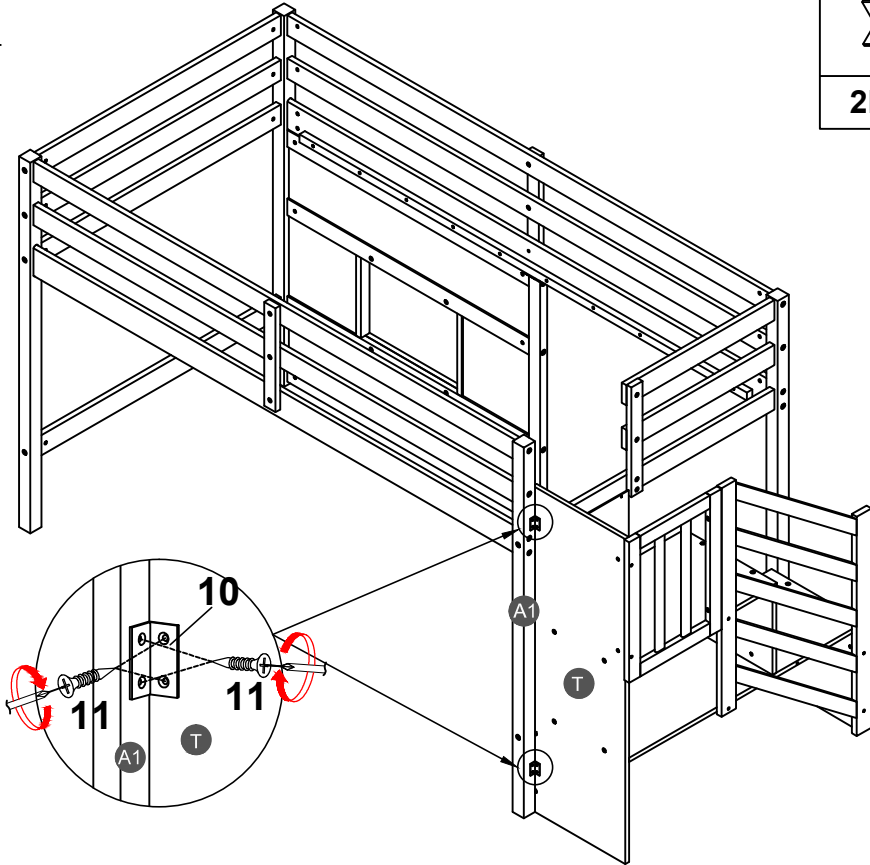


STEP 16:





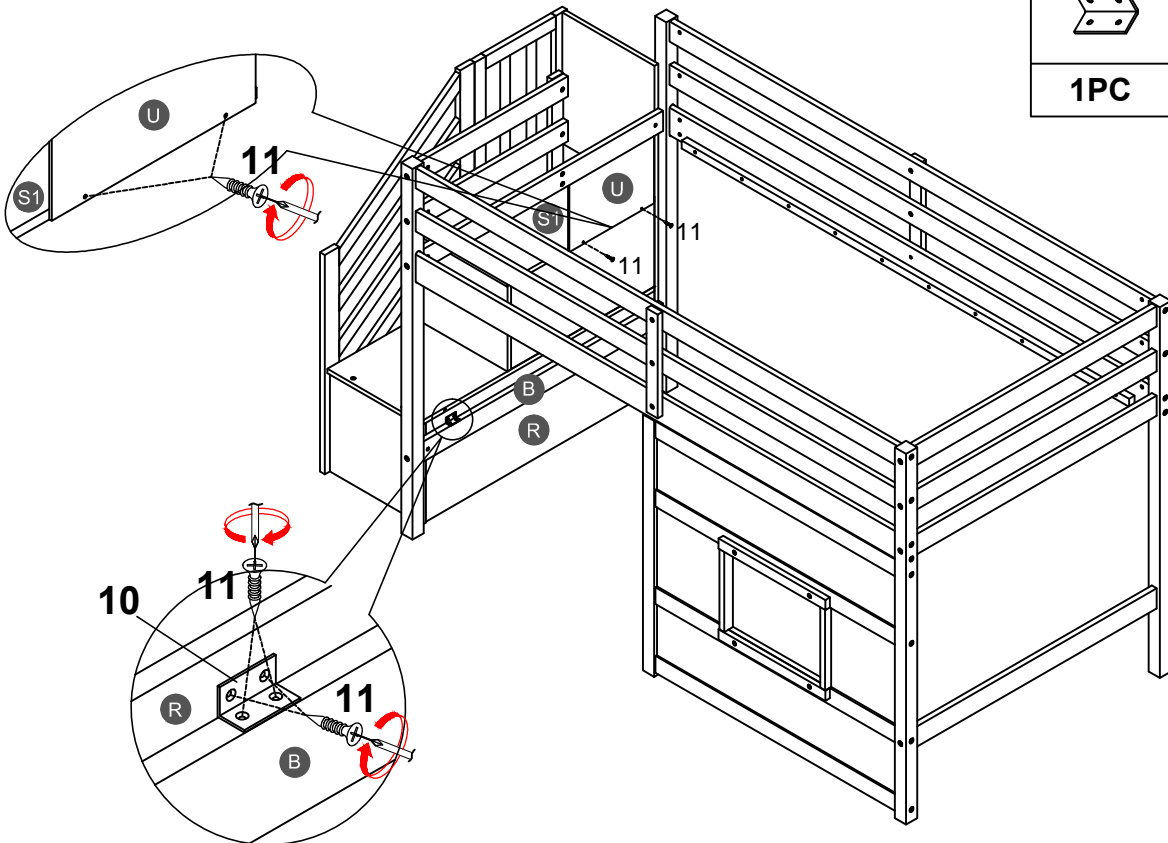
STEP 17:

10 	11 
2PCS	8PCS



STEP 18:

10 	11 
1PC	6PCS

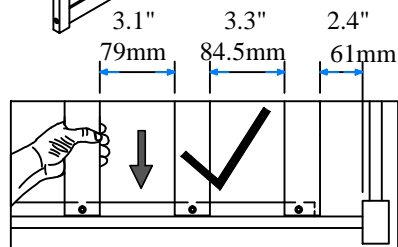
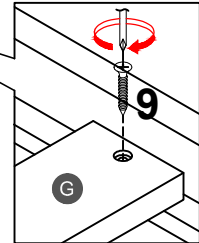
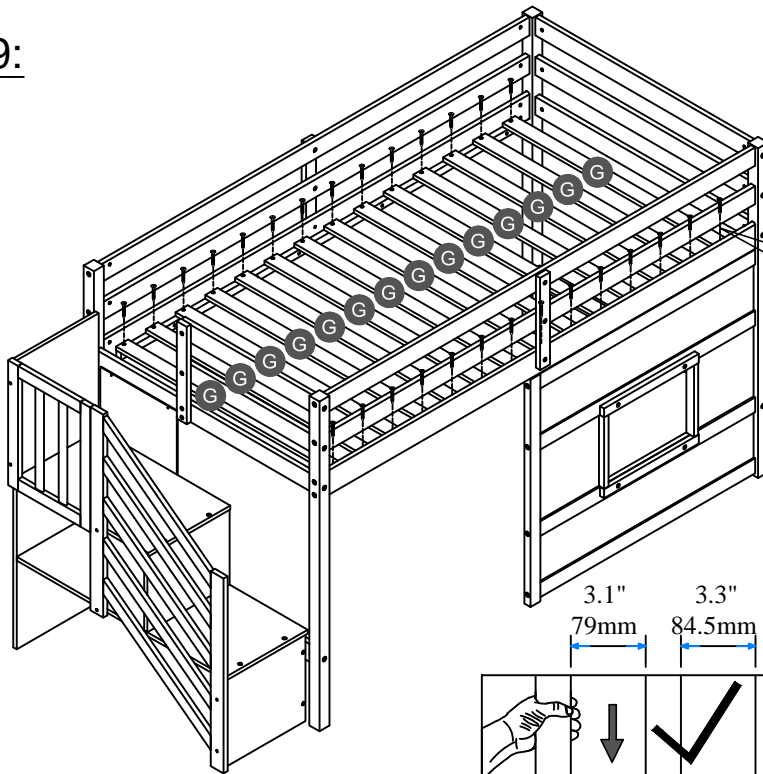


STEP 19:

9



28PCS



Note: Do not lock the screws of the bed slats to the outermost edge of the bed slats, you need to leave a certain space at the edges, otherwise it will cause the board to break. Do not lock the bed slats on the edge of the wood, please hold firmly before screwing, hold it in place with one hand, then lock the screw.

