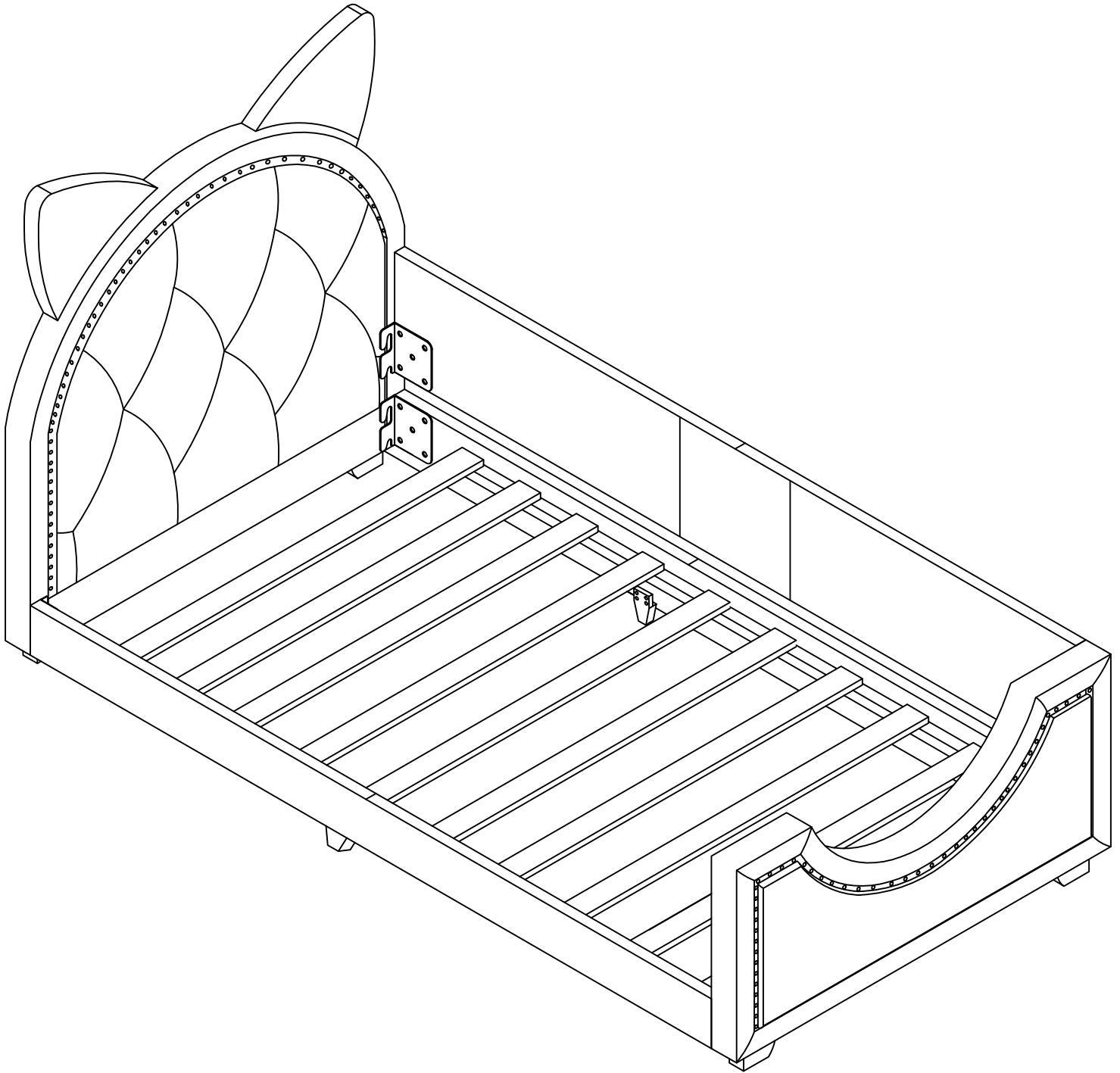


ASSEMBLY INSTRUCTIONS

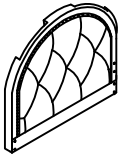
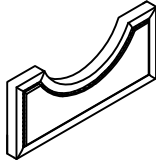



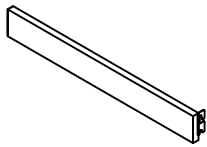
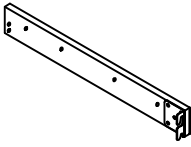


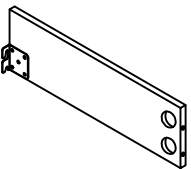
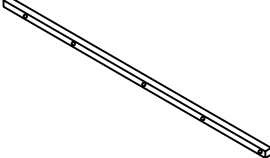
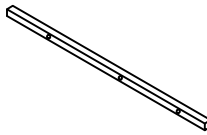


IMPORTANT NOTE

- **PLACE ALL PARTS ON A CLEAN AND SMOOTH SURFACE SUCH AS A RUG OR CARPET TO AVOID THE PARTS FROM BEING SCRATCHED**
- ** BEFORE YOU BEGIN , KINDY FOLLOW THE ASSEMBLY INSTRUCTIONS STEP BY STEP**
- **DO NOT TIGHTEN ALL SCREWS AND BOLTS UNTIL THE BED IS FULLY SET-UP**




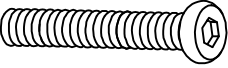
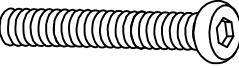


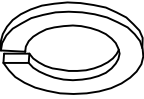
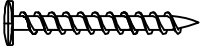
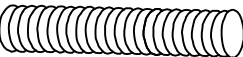

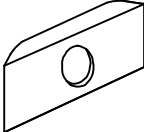

ASSEMBLY INSTRUCTIONS

PART LIST BOX 1:

<p>1</p>  <p>Headboard Panel (1 pc)</p>	<p>2</p>  <p>Footboard Panel (1 pc)</p>	
<p>3</p>  <p>Left Headboard ear (1 pc)</p>	<p>4</p>  <p>Right Headboard ear (1 pc)</p>	<p>5</p>  <p>Leg (4 pcs)</p>
<p>6</p>  <p>Left Lower Rail (2 pcs)</p>	<p>7</p>  <p>Right Lower Rail (2 pcs)</p>	<p>8</p>  <p>Rail support legs (2 pcs)</p>
<p>9</p>  <p>Roll Slat (10 pcs) 985*60*15</p>	<p>10</p>  <p>Upper Rail (1 pc)</p>	<p>11</p>  <p>Upper Rail (1 pc)</p>
<p>12</p>  <p>Bed Support Bar (2 pcs)</p>	<p>13</p>  <p>Bed Support Bar (2 pcs)</p>	

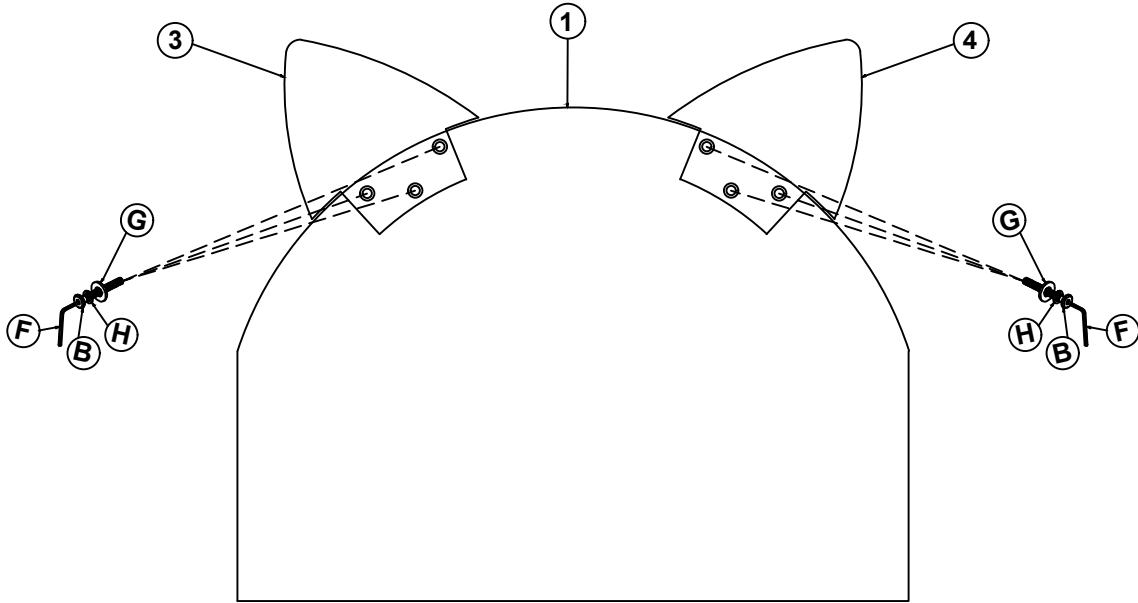
ASSEMBLY INSTRUCTIONS





HARDWARE LIST

<p>A</p>  <p>Short Bolt (12pcs) (Ø 5/16 "X25mm)</p>	<p>B</p>  <p>Long Bolt (6 pcs) (Ø 5/16 "X32mm)</p>	<p>C</p>  <p>Long Bolt (8 pcs) (Ø 5/16 "X38mm)</p>
<p>D</p>  <p>Long Bolt (16pcs) (Ø 5/16 "X45mm)</p>	<p>E</p>  <p>Long Bolt (4pcs) (Ø 5/16 "X50mm)</p>	<p>F</p>  <p>Allen Wrench (1 pc) (M4x75mm x32mm)</p>
<p>G</p>  <p>Flat Washer (46 pcs) (Ø 5/16 "-RBW)</p>	<p>H</p>  <p>Spring Washer (46 pcs) (Ø 5/16 "-RBW)</p>	<p>I</p>  <p>Flat Head Screw (20 pcs) (m4x30mm-RBW)</p>
<p>J</p>  <p>Threaded Bolt (2 pcs) (Ø 5/16 "X90mm-RBW)</p>	<p>K</p>  <p>Hex Nut (4 pcs) (16mmx13mmx13-RBW)</p>	<p>L</p>  <p>U-Square Washer (4 pcs) (36mmx15mmx11mm-RBW)</p>
<p>M</p>  <p>Wrench (1 pcs) (14MM-RBW)</p>		

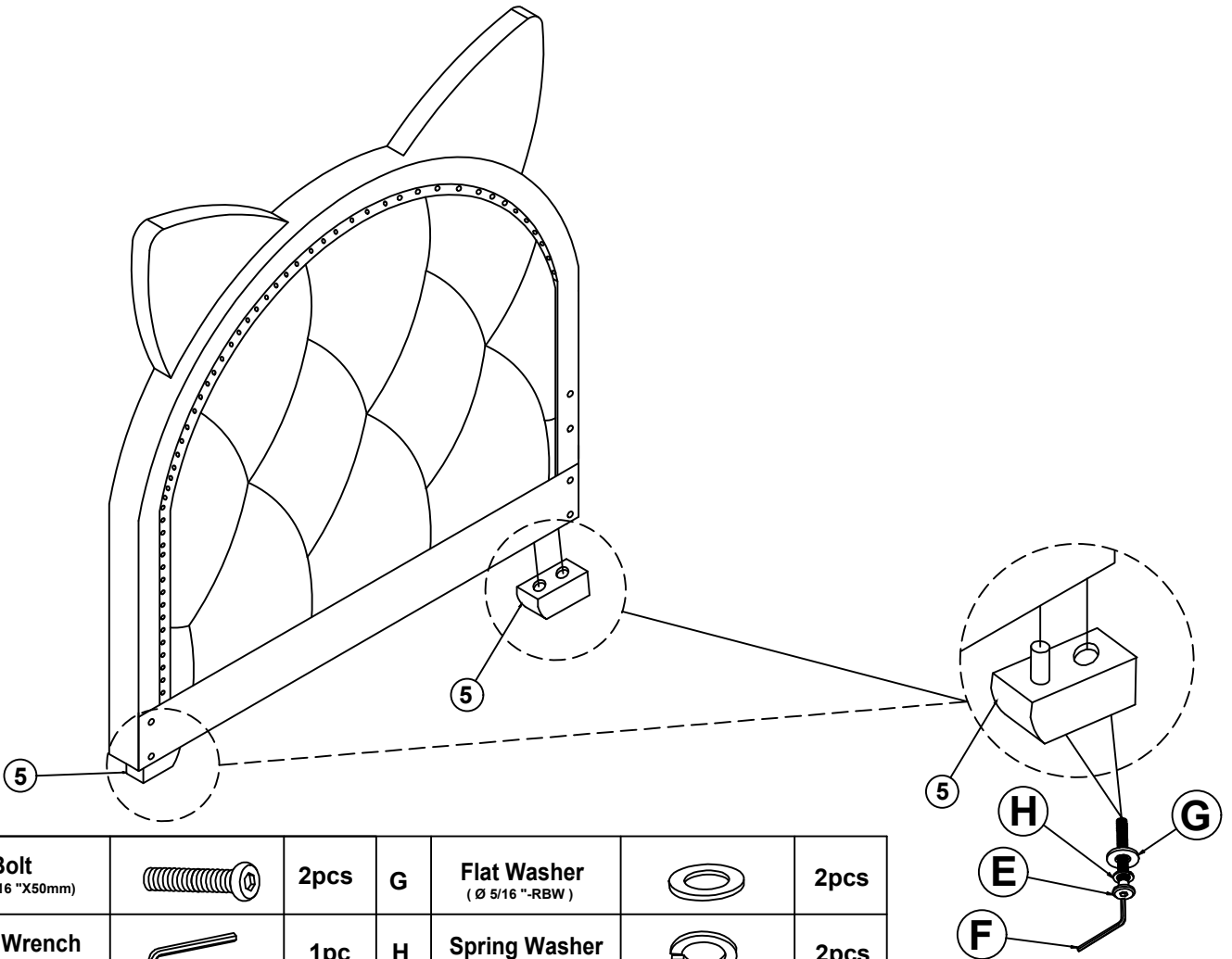
ASSEMBLY INSTRUCTIONS





STEP 1



B	Bolt (Ø 5/16 "X32mm)		6pcs	G	Flat Washer (Ø 5/16 "-RBW)		6pcs
F	Allen Wrench (M4x75mm x32mm)		1pc	H	Spring Washer (Ø 5/16 "-RBW)		6pcs

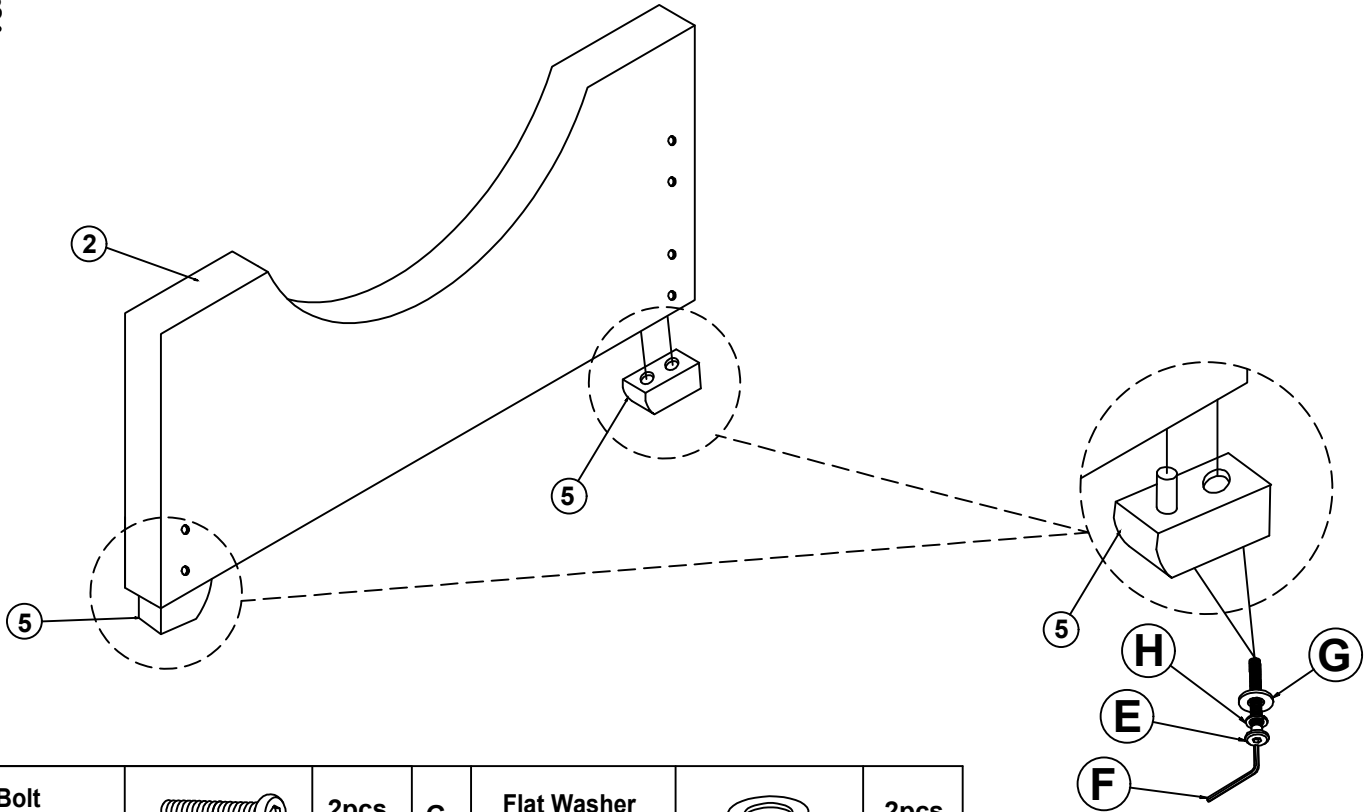
STEP 2







E	Bolt (Ø 5/16 "X50mm)		2pcs	G	Flat Washer (Ø 5/16 "-RBW)		2pcs
F	Allen Wrench (M4x75mm x32mm)		1pc	H	Spring Washer (Ø 5/16 "-RBW)		2pcs

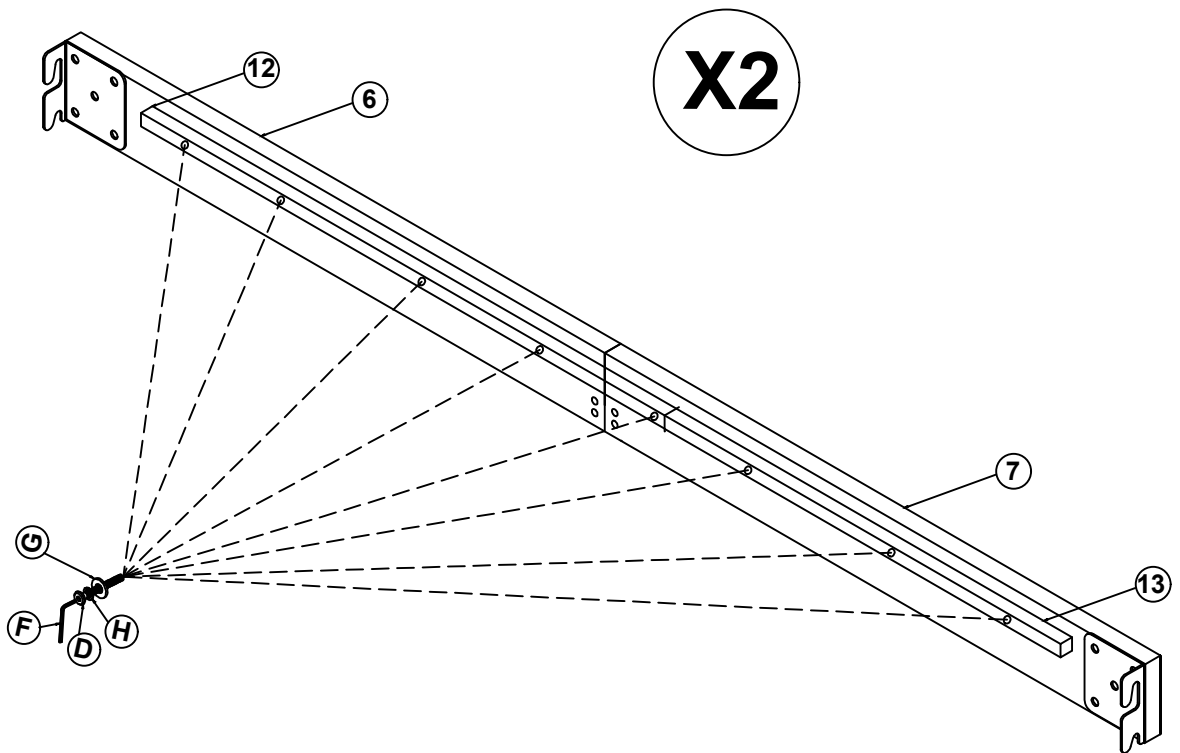
ASSEMBLY INSTRUCTIONS





STEP 3



E	Bolt (Ø 5/16 "X50mm)		2pcs	G	Flat Washer (Ø 5/16 "-RBW)		2pcs
F	Allen Wrench (M4x75mm x32mm)		1pc	H	Spring Washer (Ø 5/16 "-RBW)		2pcs

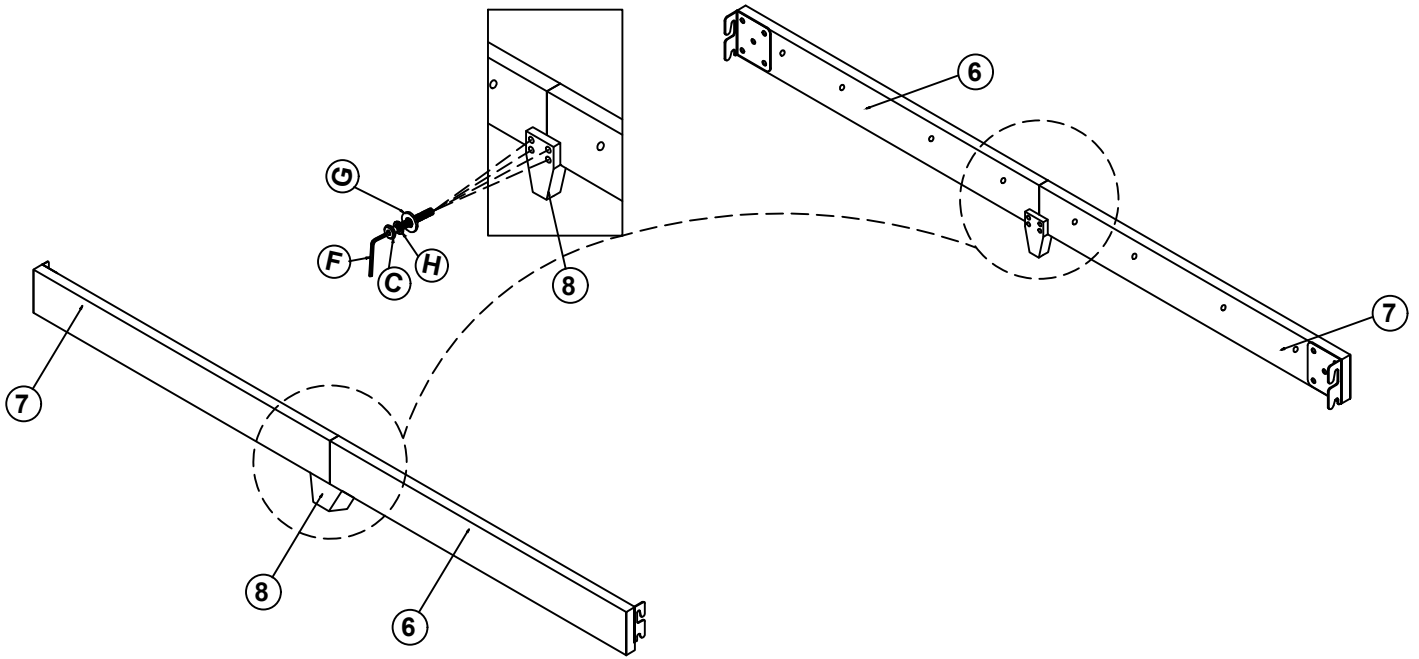
STEP 4







D	Bolt (Ø 5/16 "X45mm)		16pcs	G	Flat Washer (Ø 5/16 "-RBW)		16pcs
F	Allen Wrench (M4x75mm x32mm)		1pc	H	Spring Washer (Ø 5/16 "-RBW)		16pcs

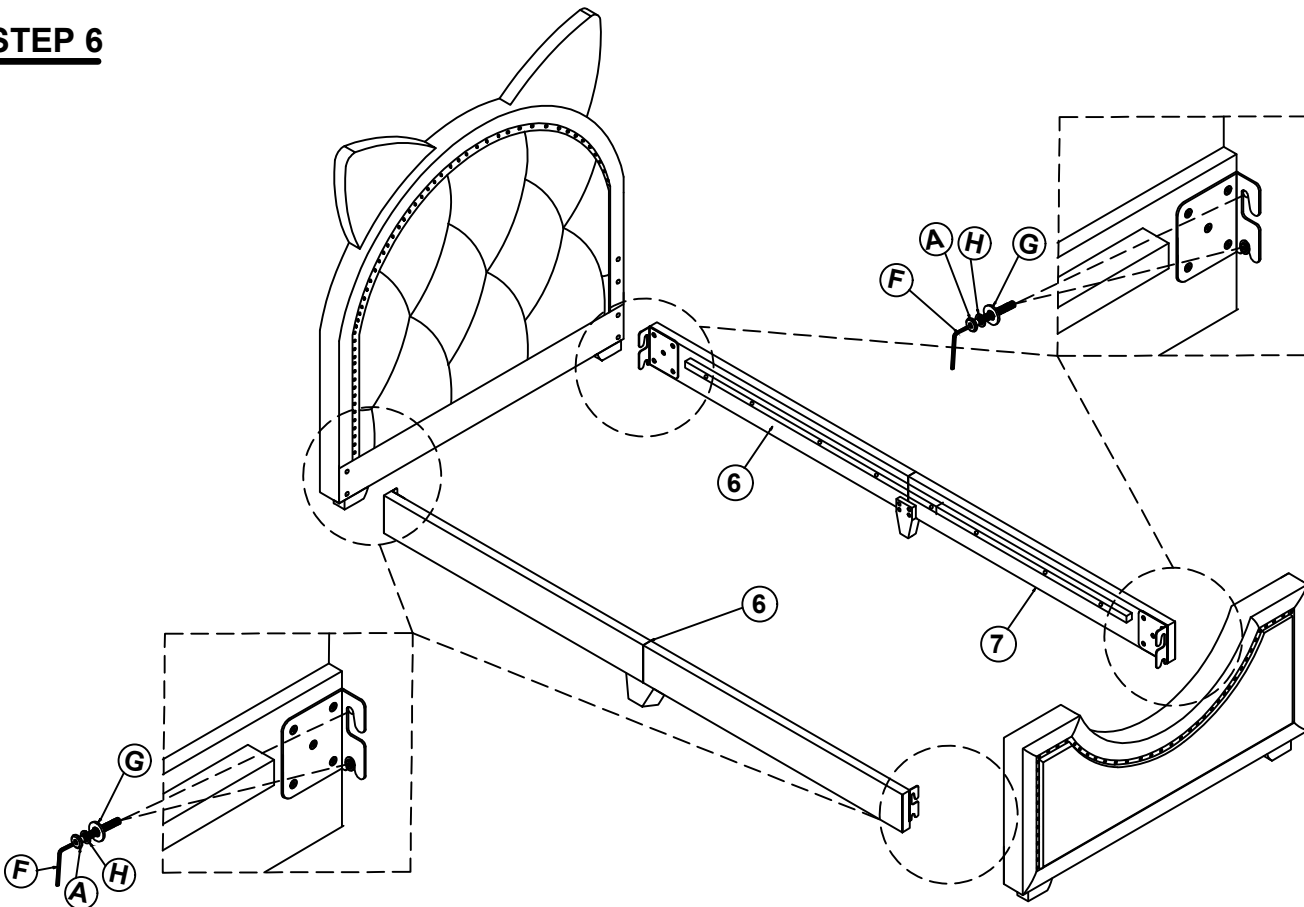
ASSEMBLY INSTRUCTIONS





STEP 5



C	Bolt (Ø 5/16 "X38mm)		8pcs	G	Flat Washer (Ø 5/16 "-RBW)		8pcs
F	Allen Wrench (M4x75mm x32mm)		1pc	H	Spring Washer (Ø 5/16 "-RBW)		8pcs

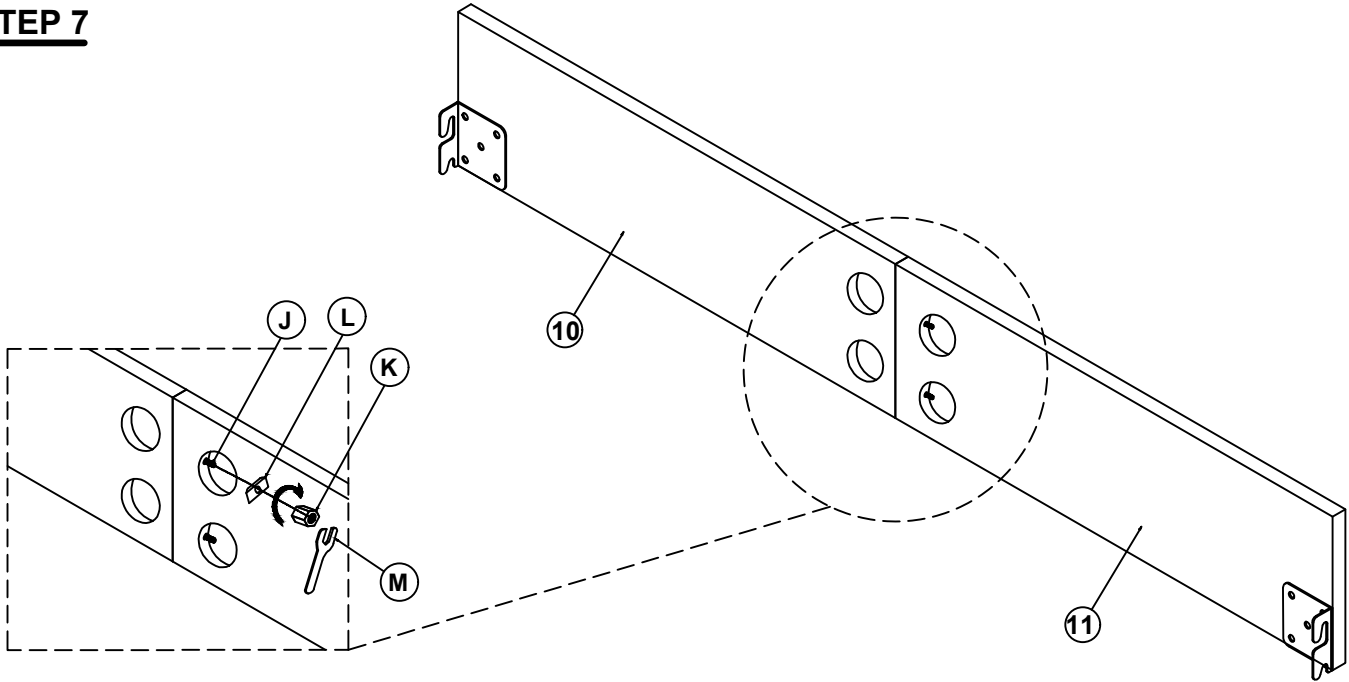
STEP 6


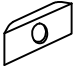




A	Bolt (Ø 5/16 "X25mm)		8pcs	G	Flat Washer (Ø 5/16 "-RBW)		8pcs
F	Allen Wrench (M4x75mm x32mm)		1pc	H	Spring Washer (Ø 5/16 "-RBW)		8pcs

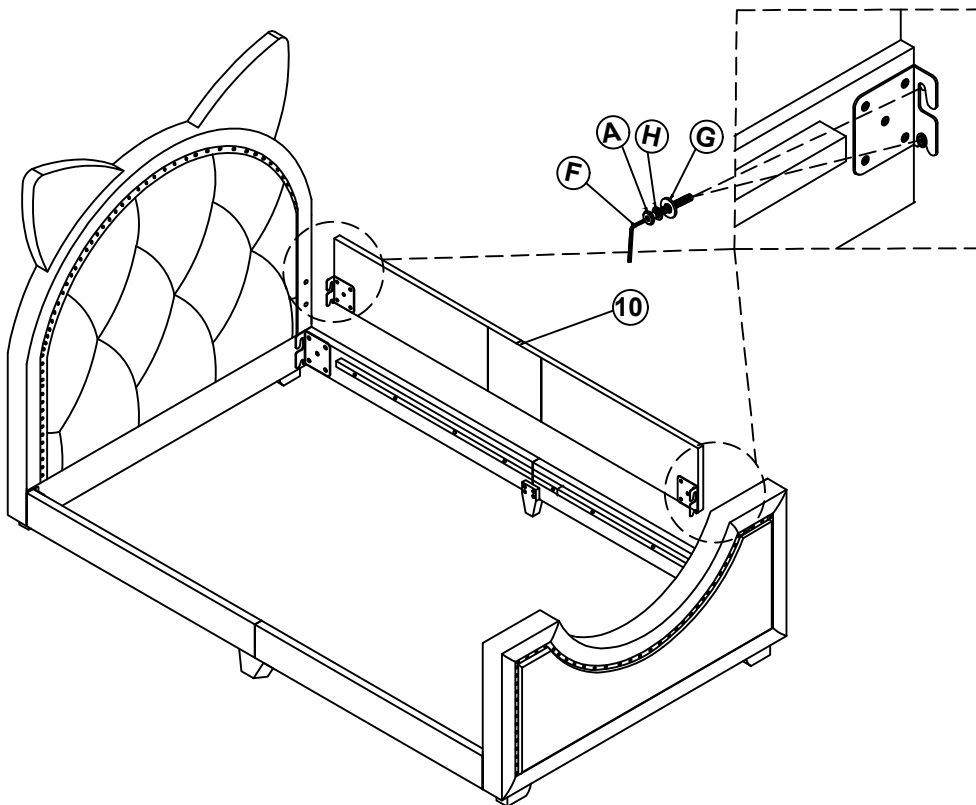
ASSEMBLY INSTRUCTIONS





STEP 7



J	Threaded Bolt (Ø 5/16 "x90mm-RBW)		2pcs	L	U-Square Washer (36x15x11mm-RBW)		4pcs
K	Hex Nut (16x13x13mm-RBW)		4pcs	M	Wrench (14mm-RBW)		1pc

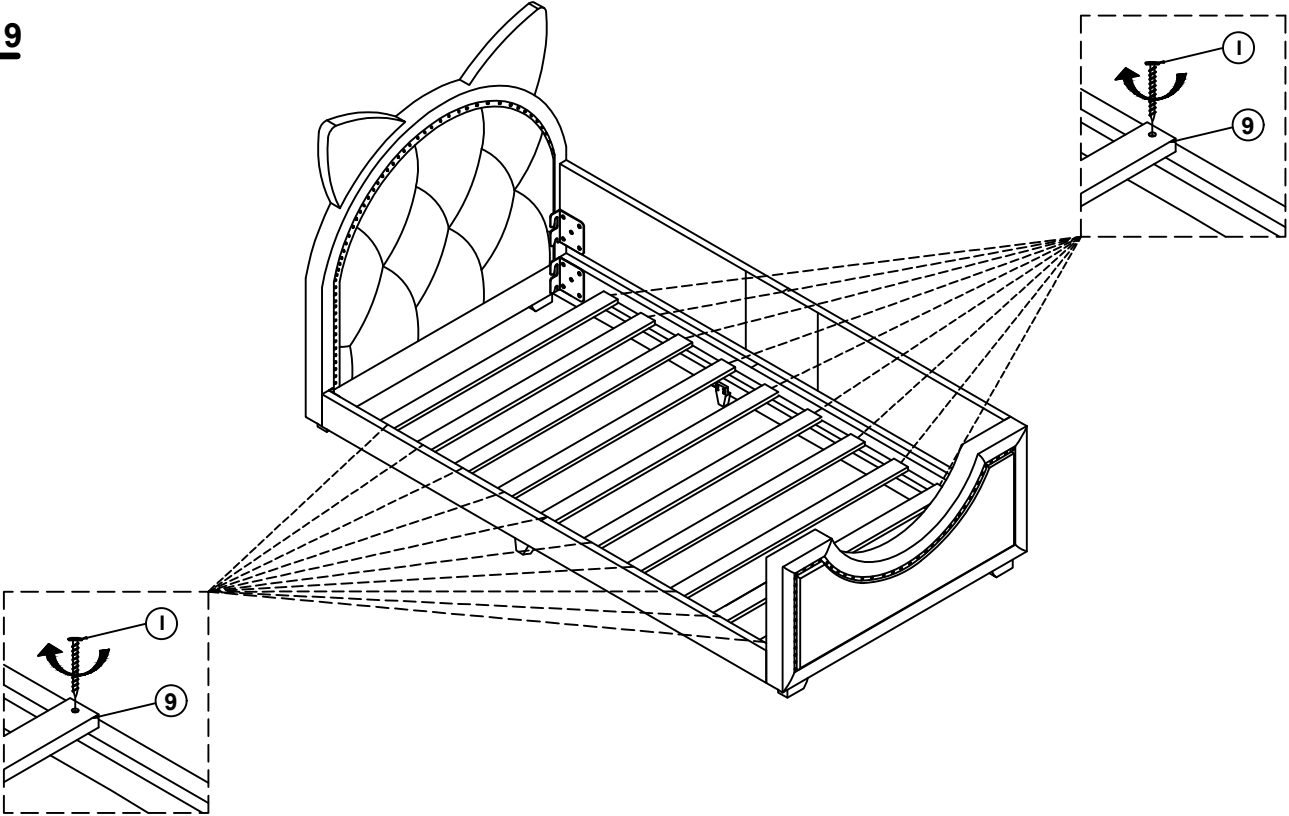
STEP 8



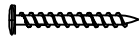
A	Bolt (Ø 5/16 "x25mm)		4pcs	G	Flat Washer (Ø 5/16 "-RBW)		4pcs
F	Allen Wrench (M4x75mm x32mm)		1pc	H	Spring Washer (Ø 5/16 "-RBW)		4pcs

ASSEMBLY INSTRUCTIONS

STEP 9



1 Flat Head Screw
(m4x30mm-RBW)



20pcs

STEP 10 COMPLETE

