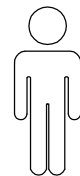
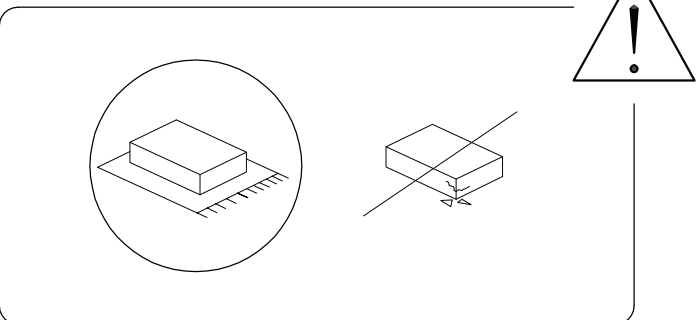
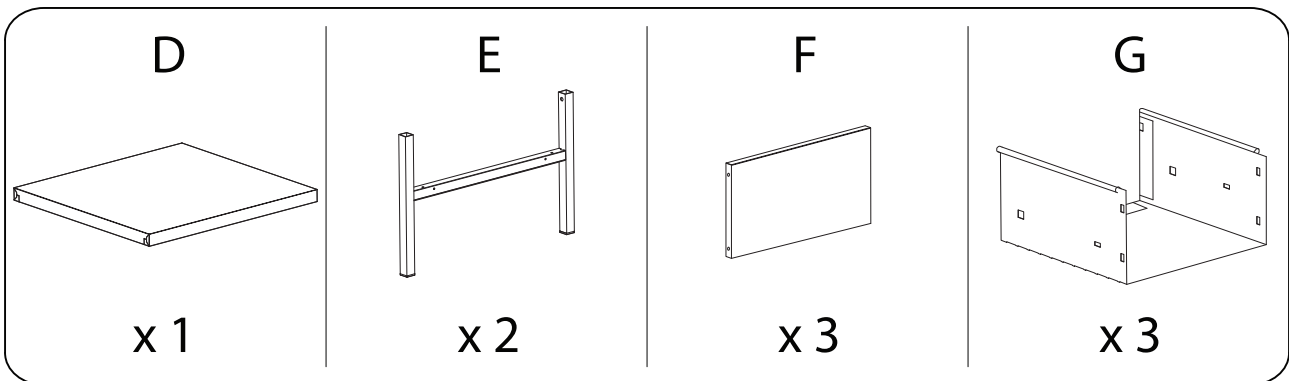
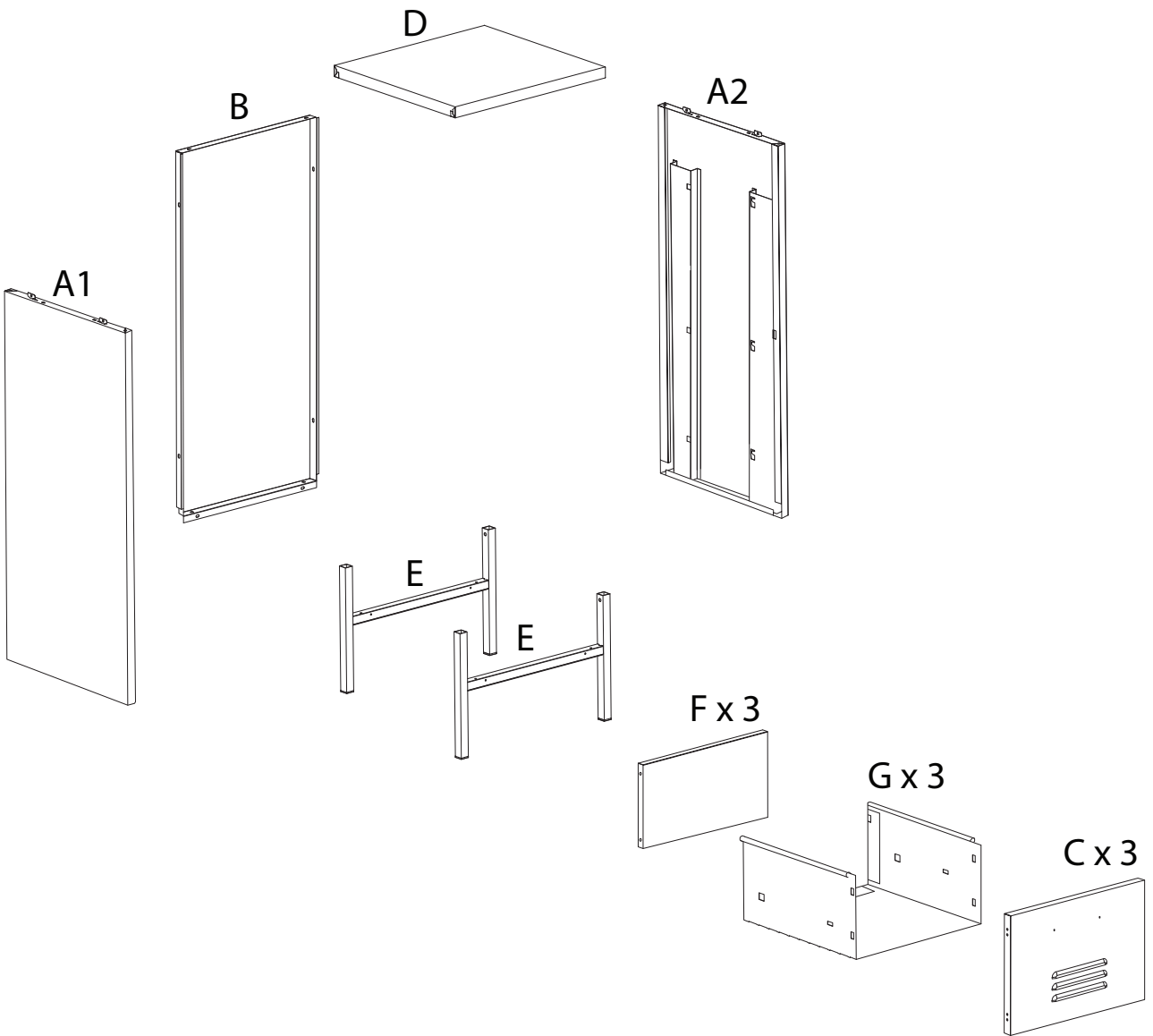
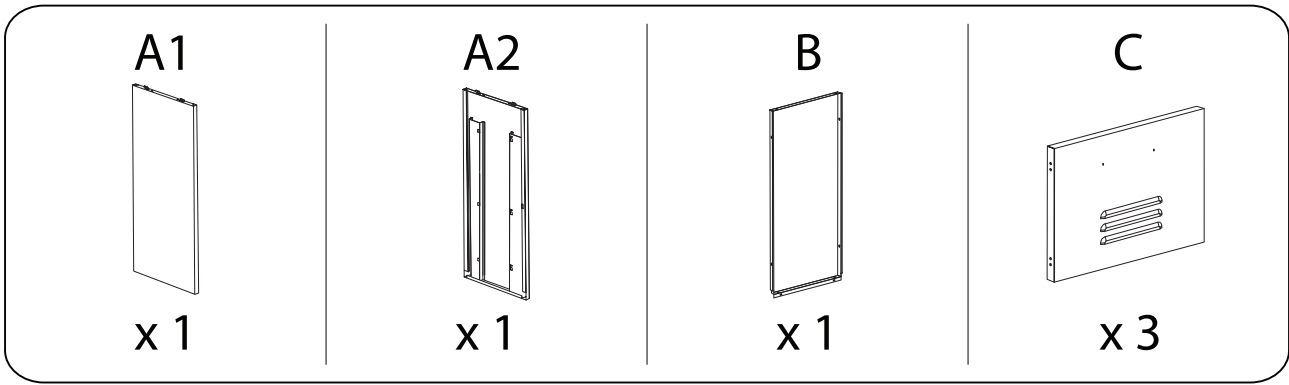


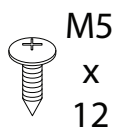
45'



2

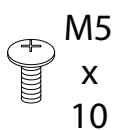


1



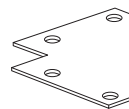
x 28

2



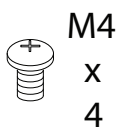
x 12

3



x 4

4



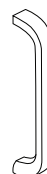
x 6

5



x 6

6



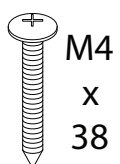
x 3

7



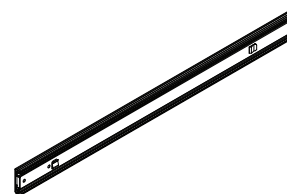
x 2

8



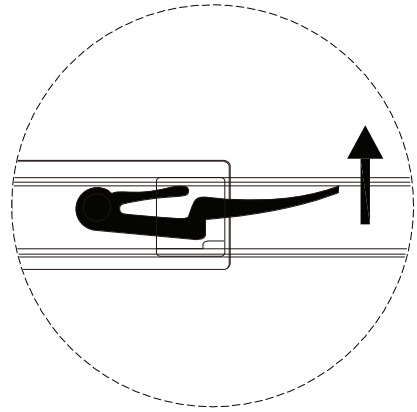
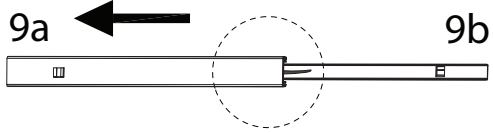
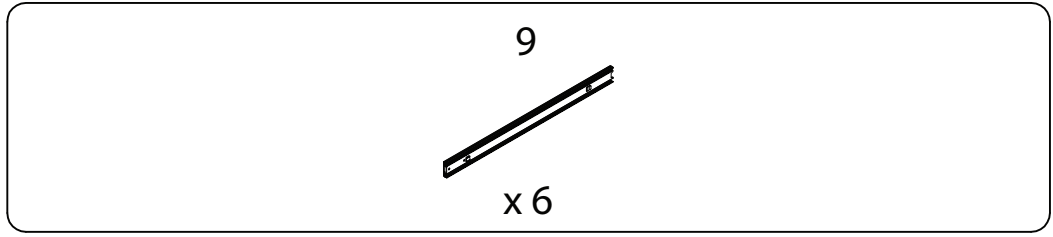
x 2

9

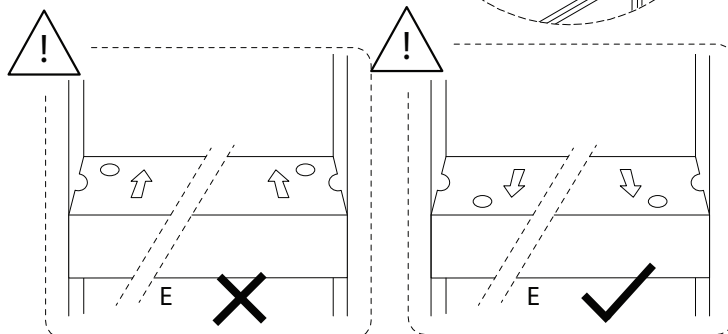
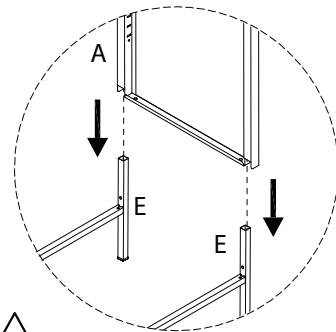
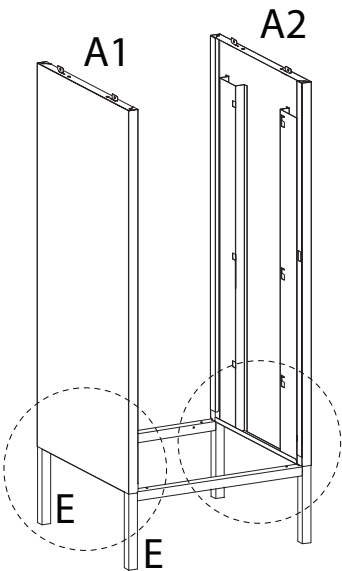
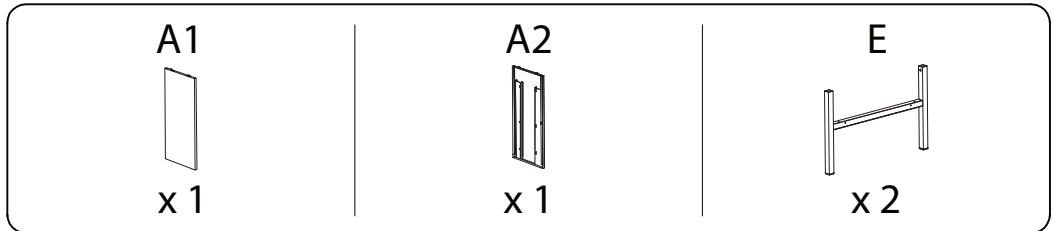


x 6

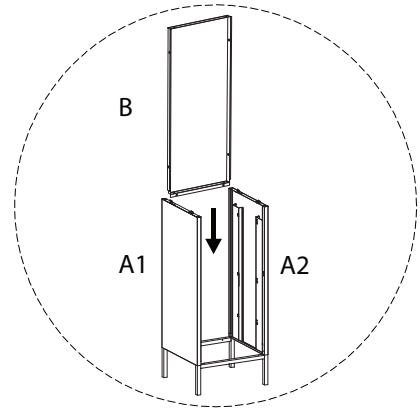
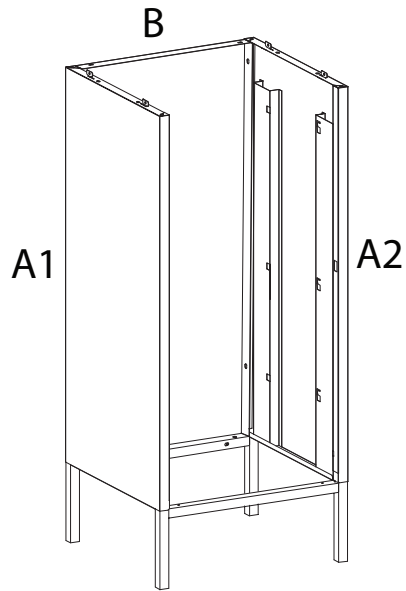
1



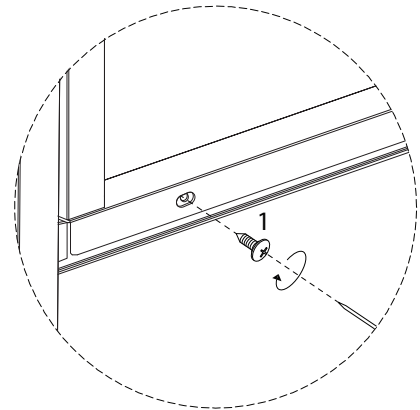
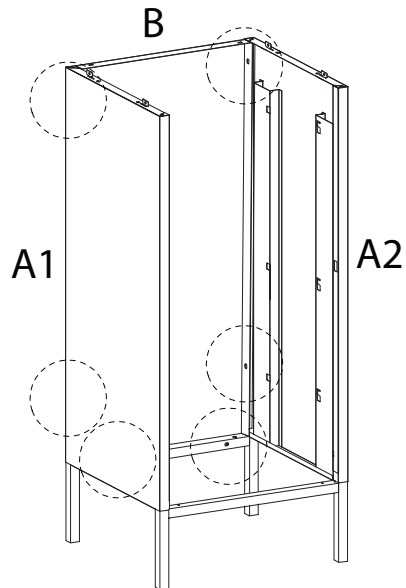
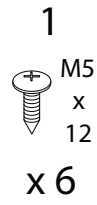
2



3



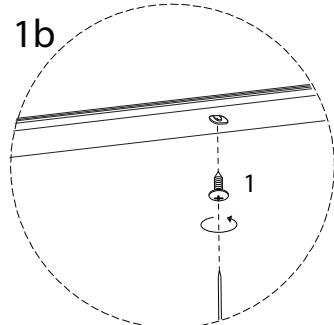
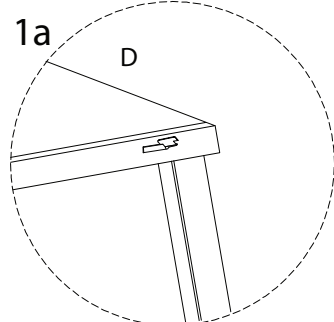
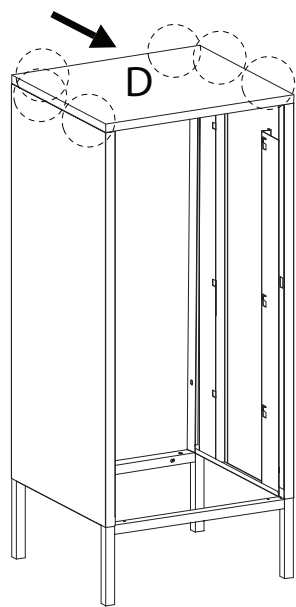
4



5

1
M5
x
12
x 6

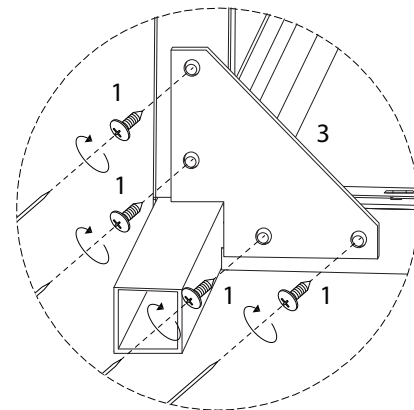
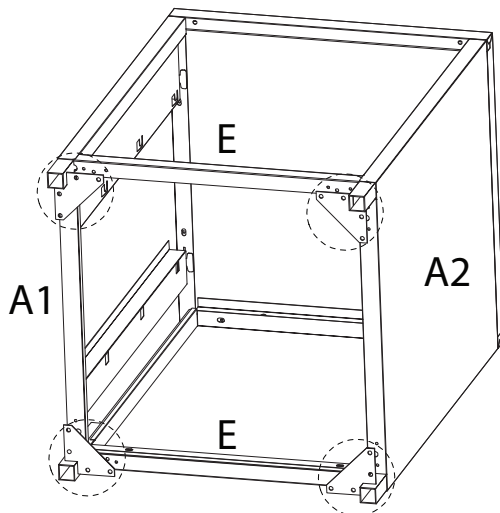
D
x 1



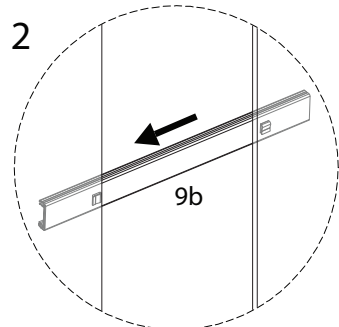
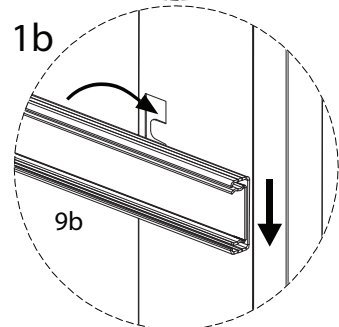
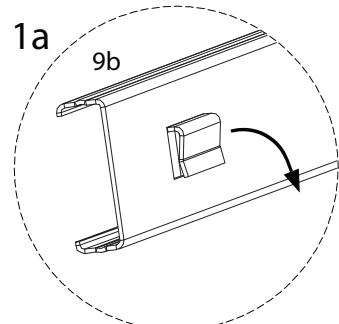
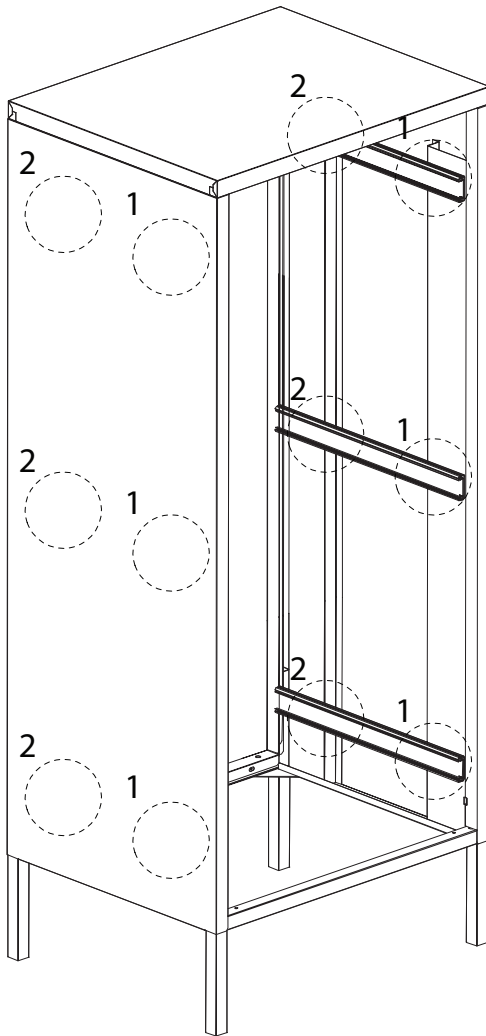
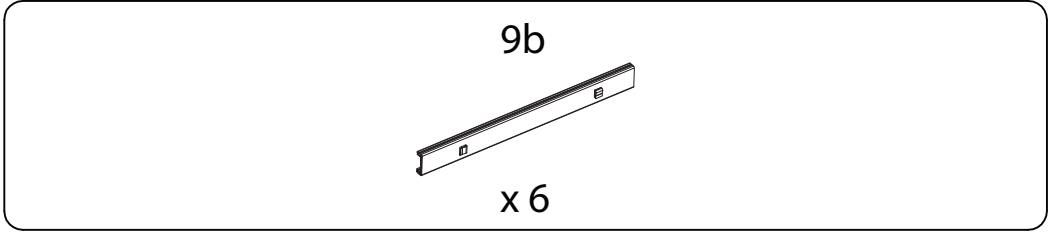
6

1
M5
x
12
x 16

3
x 4



7



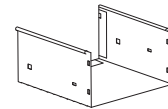
8 x 3

9a

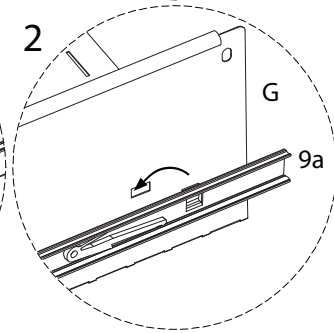
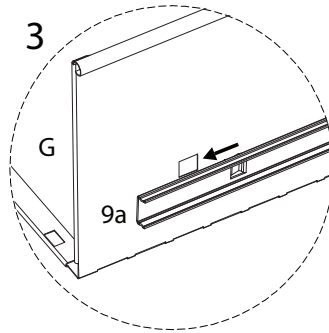
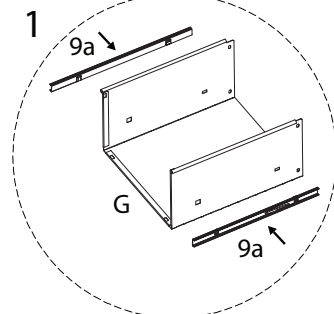
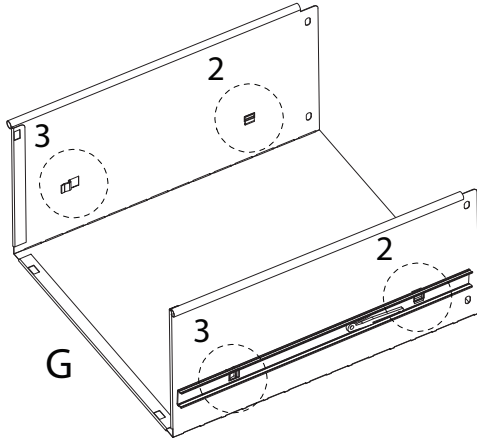


x 2

G

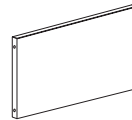


x 1

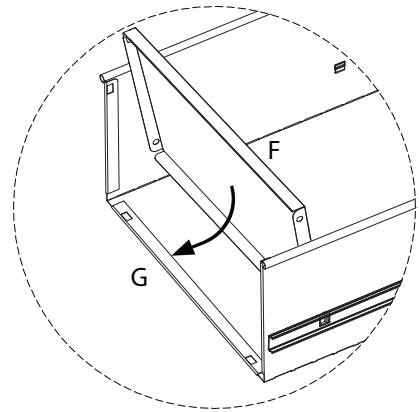
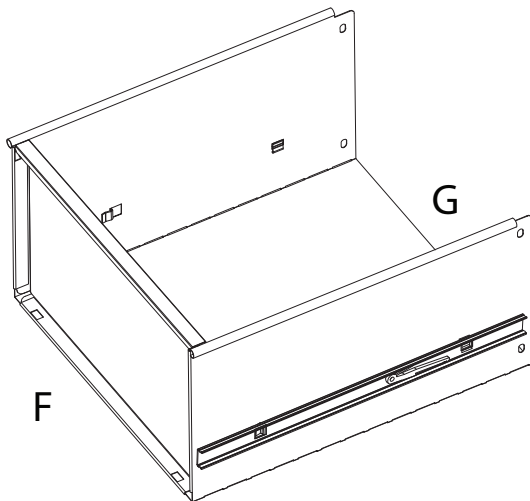


9 x 3

F



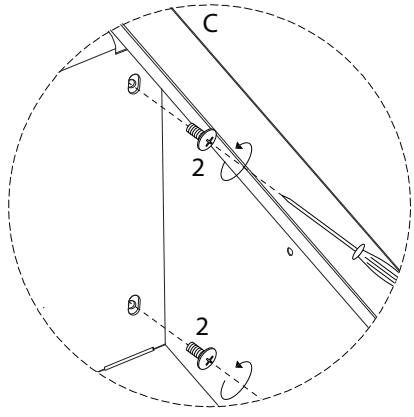
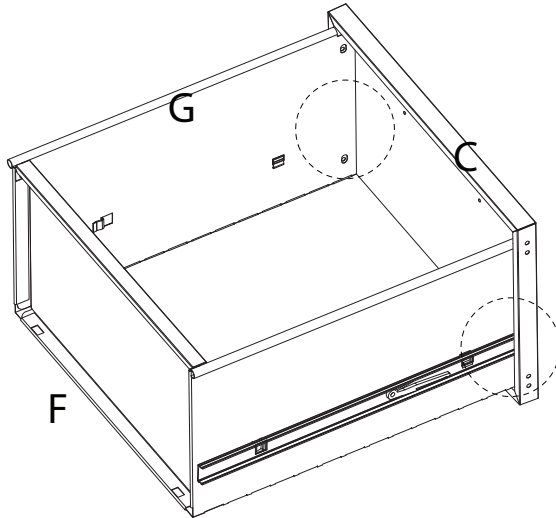
x 1



10 x 3

2
M5
x
10
x 4

C
x 1

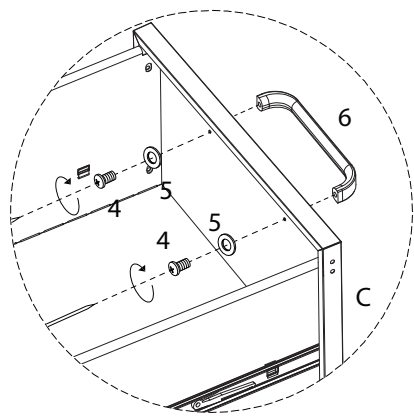
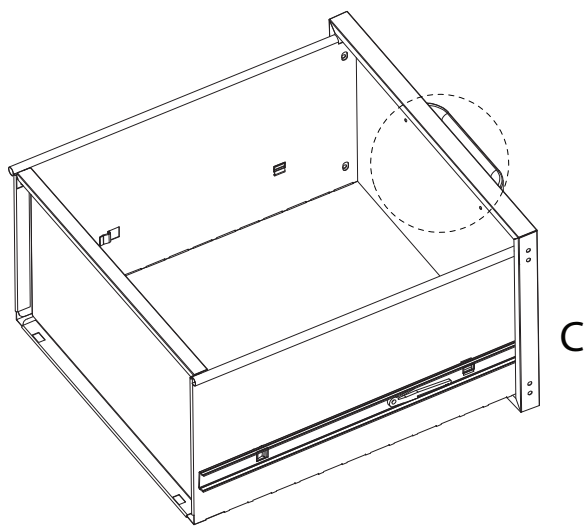


11 x 3

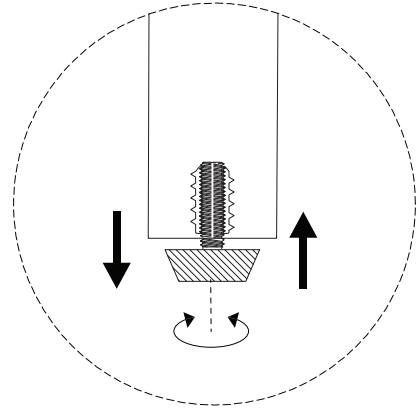
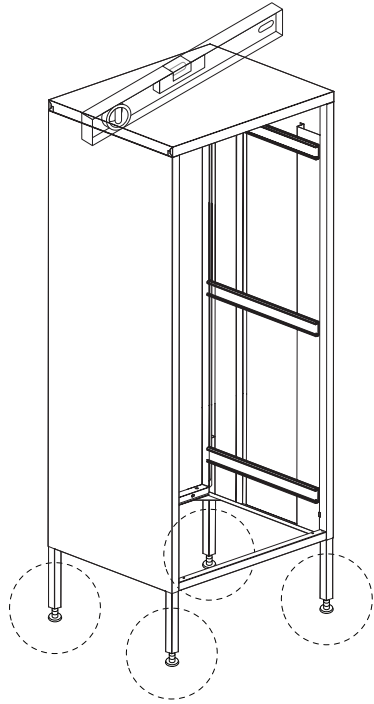
4
M4
x
4
x 2

5
x 2

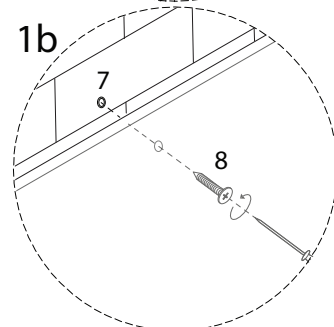
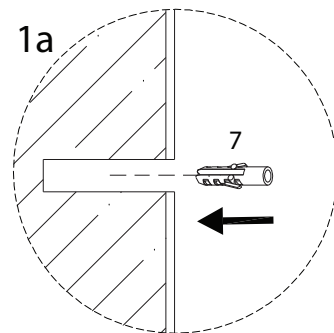
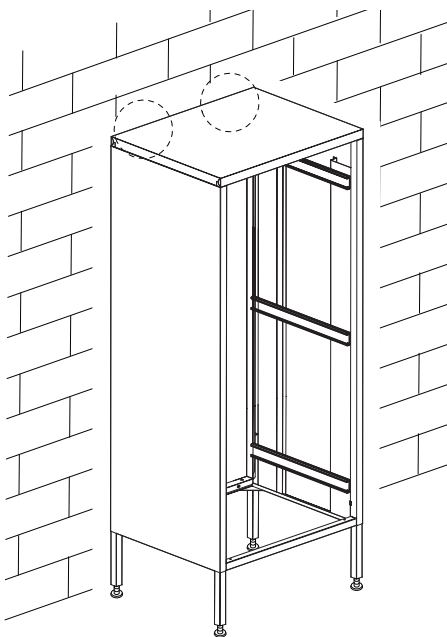
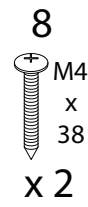
6
x 1



12



13



14

