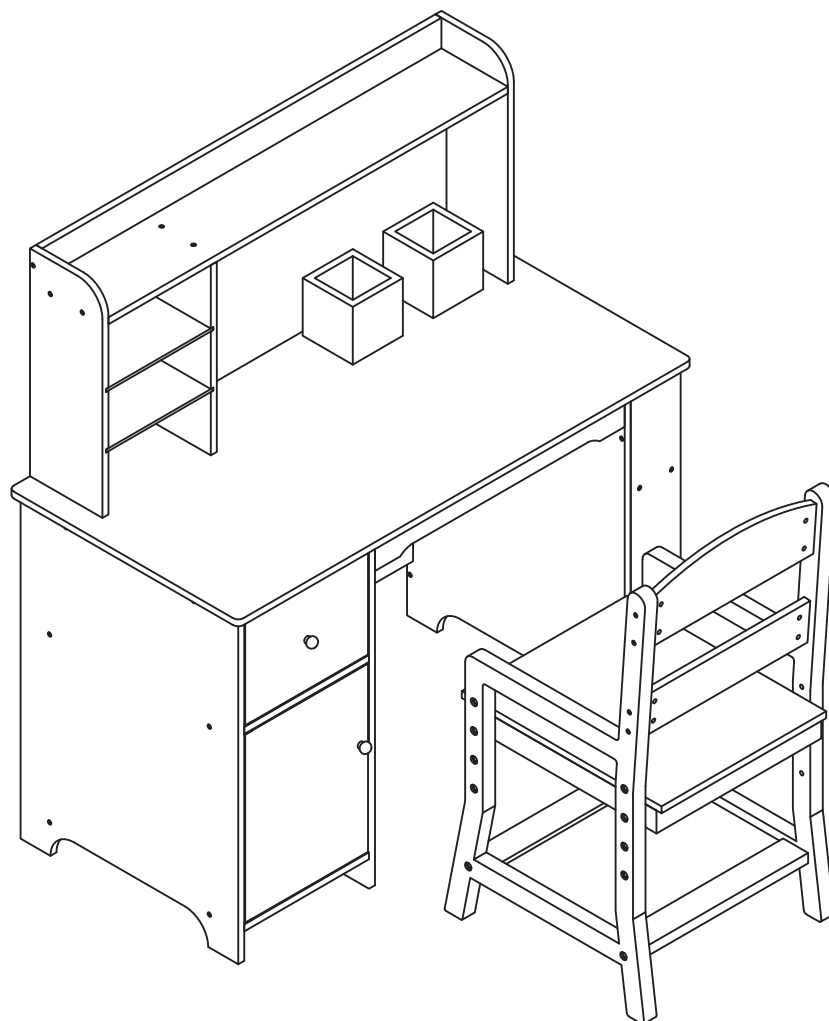


Kids desk



WARNING

CHOKINGHAZARD-small parts, Not for children under 3 yrs, The product is to be assembled by an adult.

WARNING

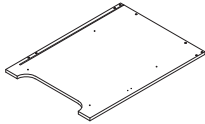
Prior to assembly this package contains sharp edges and sharp points.Keep away from children until assembled.

Product Parts

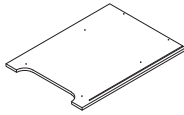
A



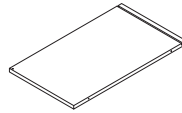
B



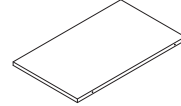
C



D



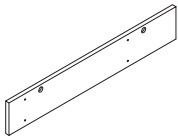
E



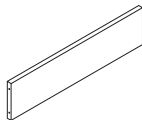
F



G

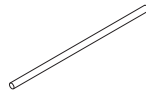


H



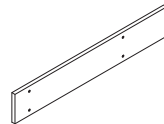
2 pcs

I

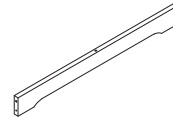


2 pcs

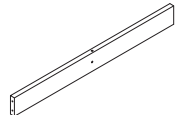
J



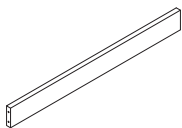
K



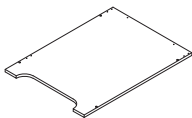
L



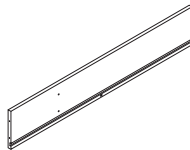
M



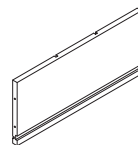
N



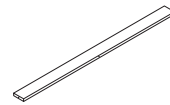
O



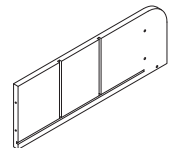
P



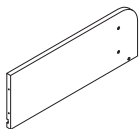
Q



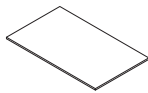
R



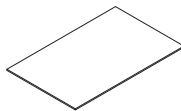
S



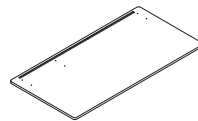
T



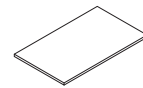
U



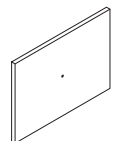
V



W



X



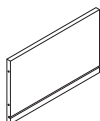
2 pcs

Y

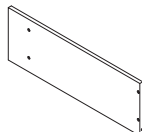


2 pcs

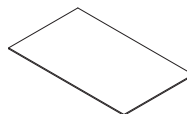
Z



AA



AB

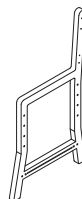


AC



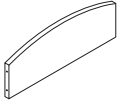
2 pcs

AD

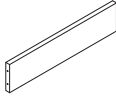


Product Parts

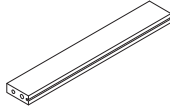
AE



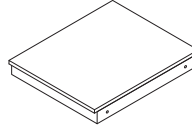
AF



AG



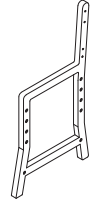
AH



AI

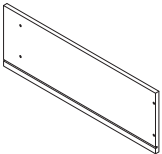


AJ



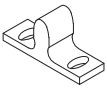
2 pcs

AK



Hardware

1



1 pc

2



∅3*7mm

4 pcs

3



1 pc

4



∅4*28mm

54 pcs

5



∅5*25mm

3 pcs

6



∅4*22mm

15 pcs

7



∅8*30mm

4 pcs

8



M6*40mm

8 sets

9



∅4*16mm

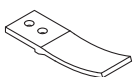
1 pcs

10



1 set

11






12

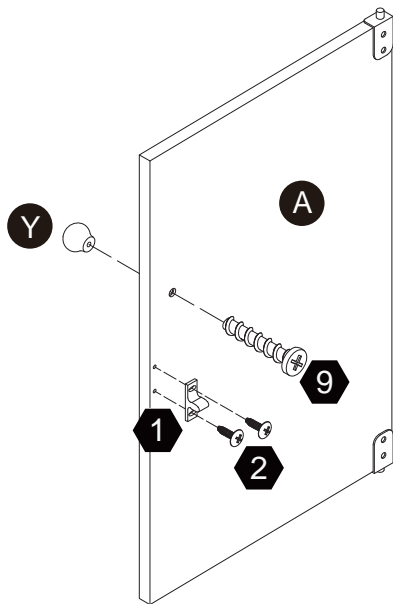


∅3*12mm

2 pcs

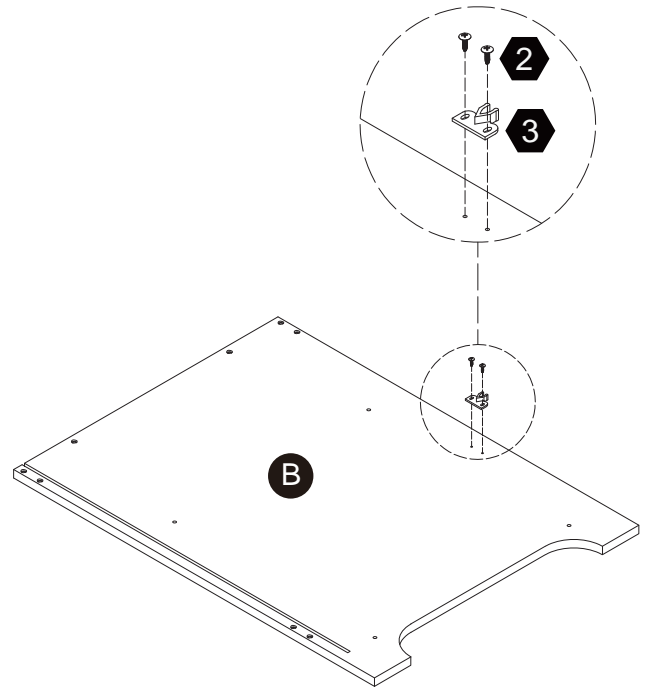
Step 1

- 1  1 pc
- 2  2 pcs
Ø3*7mm
- 9  1 pc
Ø4*16mm




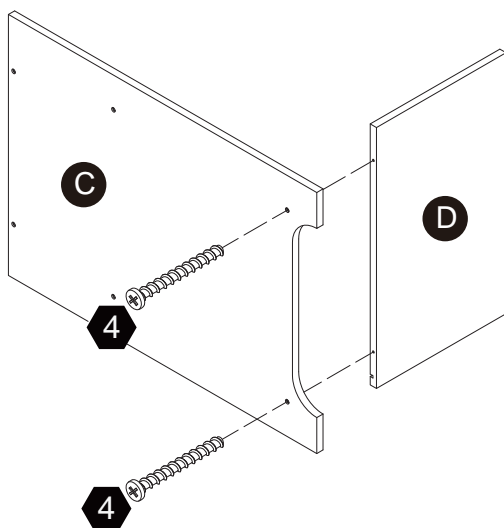
Step 2

- 2  2 pcs
Ø3*7mm
- 3  1 pc




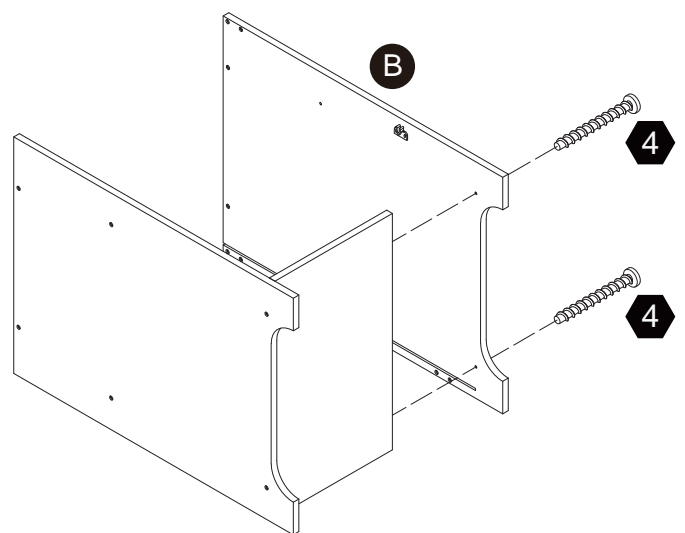
Step 3

- 4  2 pcs
Ø4*28mm




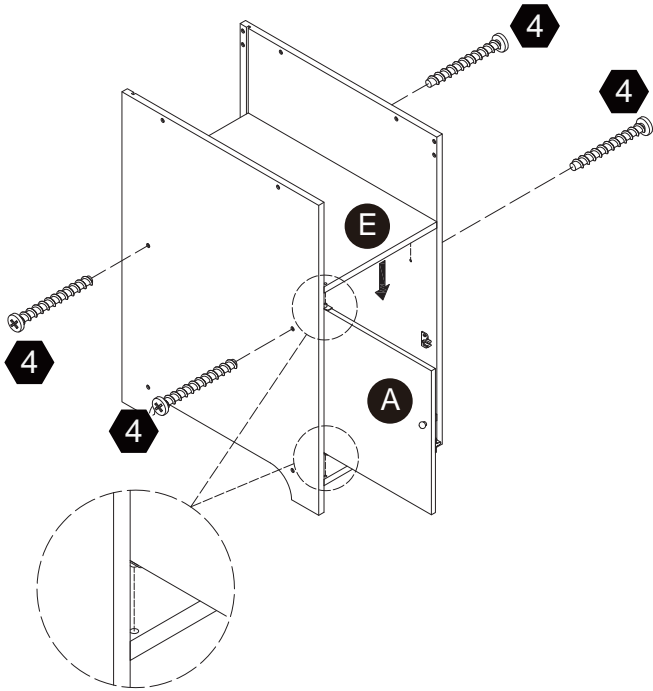
Step 4

- 4  2 pcs
Ø4*28mm

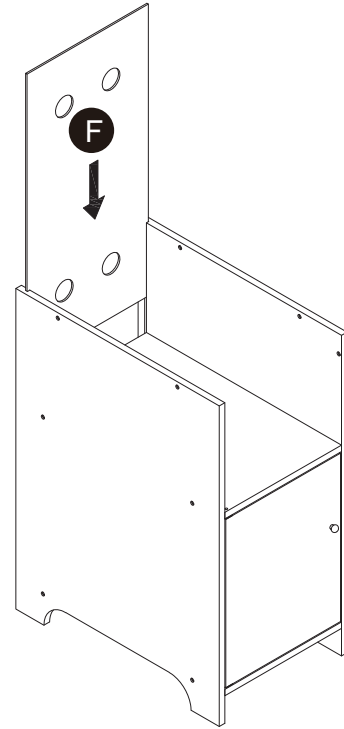


Step 5


4  4 pcs
Ø4*28mm

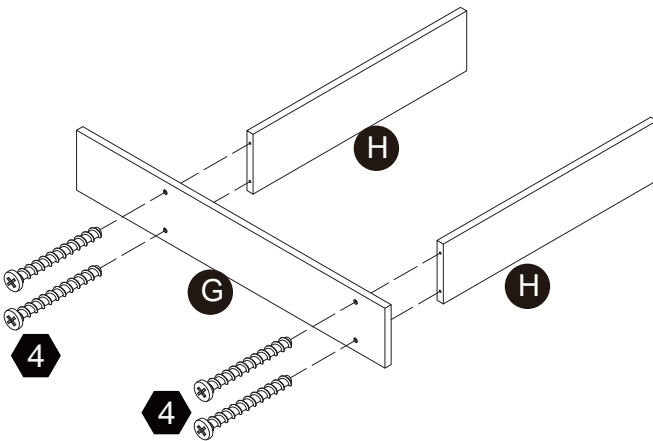


Step 6




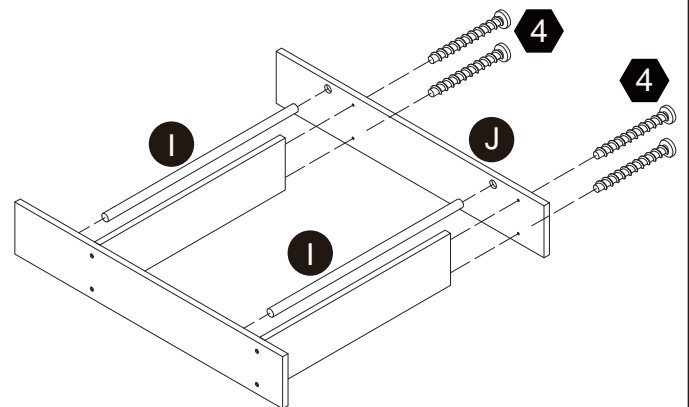
Step 7

4  4 pcs
Ø4*28mm




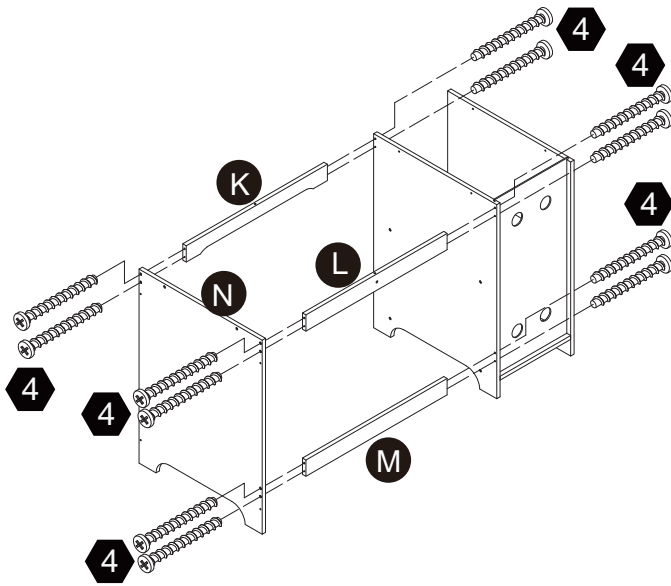
Step 8

4  4 pcs
Ø4*28mm




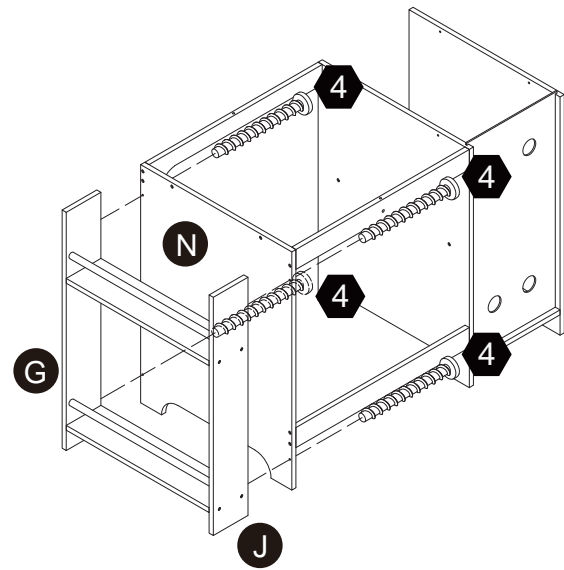
Step 9

4  12 pcs
Ø4*28mm




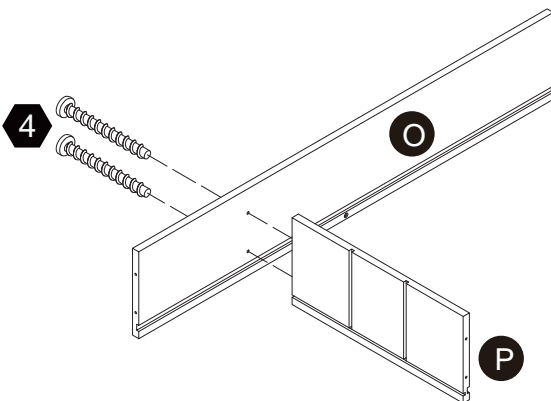
Step 10

4  4 pcs
Ø4*28mm




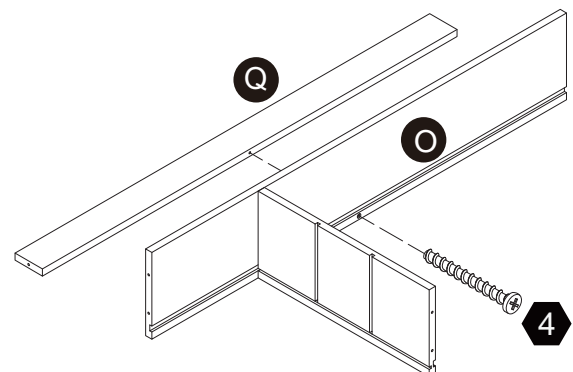
Step 11

4  2 pcs
Ø4*28mm




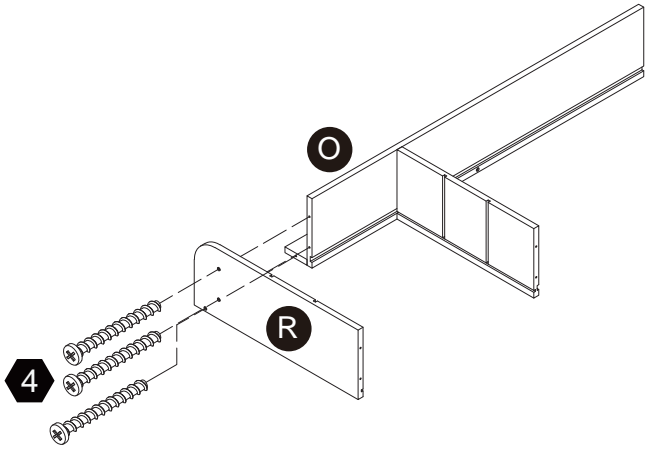
Step 12

4  1 pc
Ø4*28mm




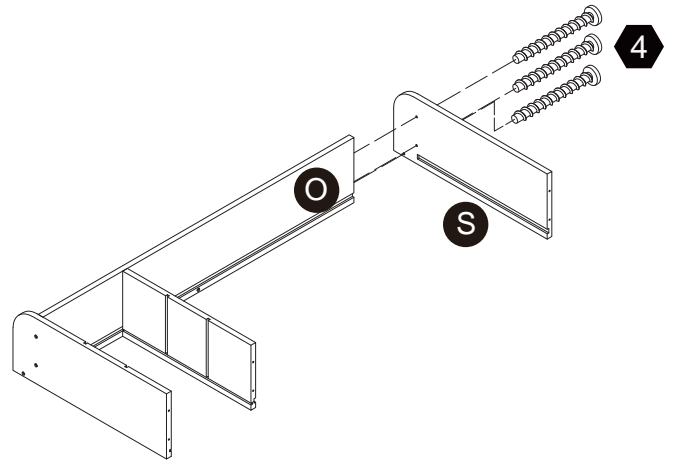
Step 13

4  3 pcs
Ø4*28mm

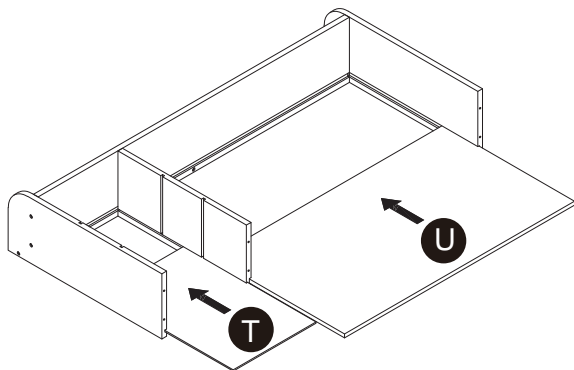


Step 14



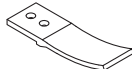

4  3 pcs
Ø4*28mm

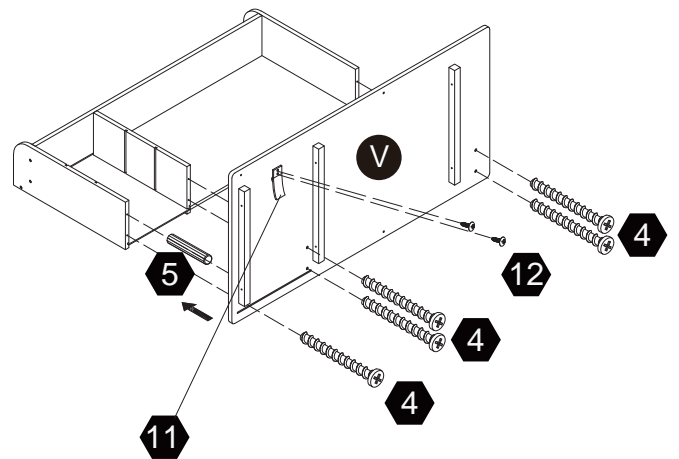


Step 15




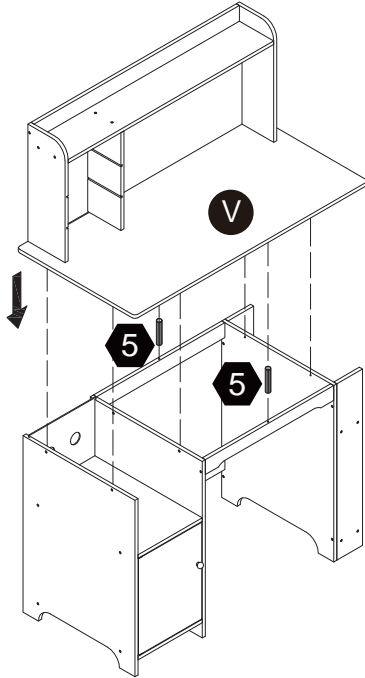
Step 16

4  5 pcs Ø4*28mm
 5  1 pc Ø5*25mm
 11 
 12  2 pcs Ø3*12mm




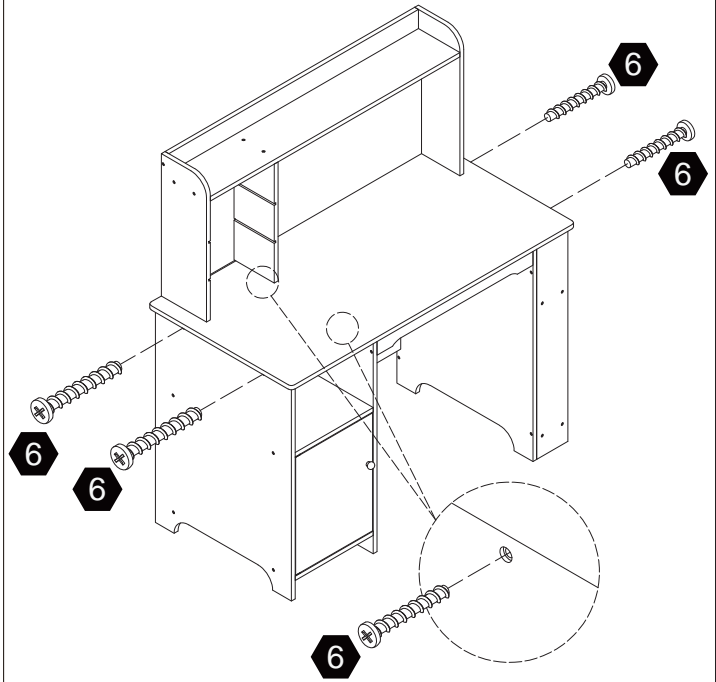
Step 17

5  2 pcs
Ø5*25mm




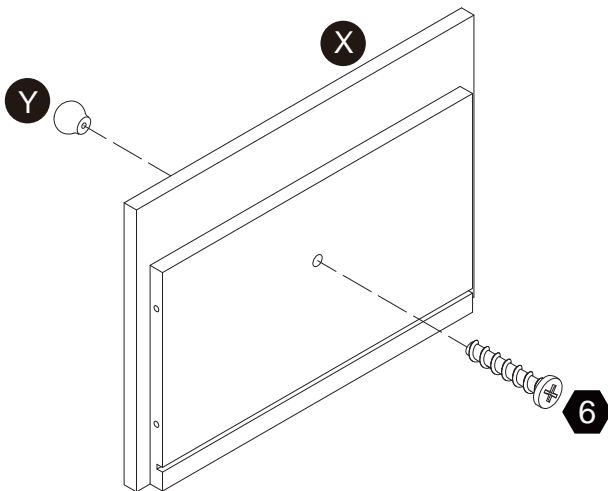
Step 18

6  6 pcs
Ø4*22mm




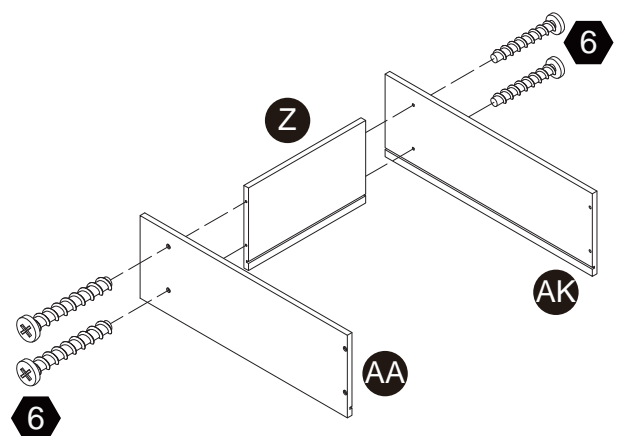
Step 19

6  1 pc
Ø4*22mm

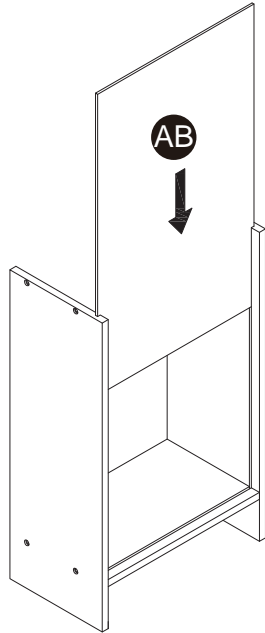


Step 20


6  4 pcs
Ø4*22mm

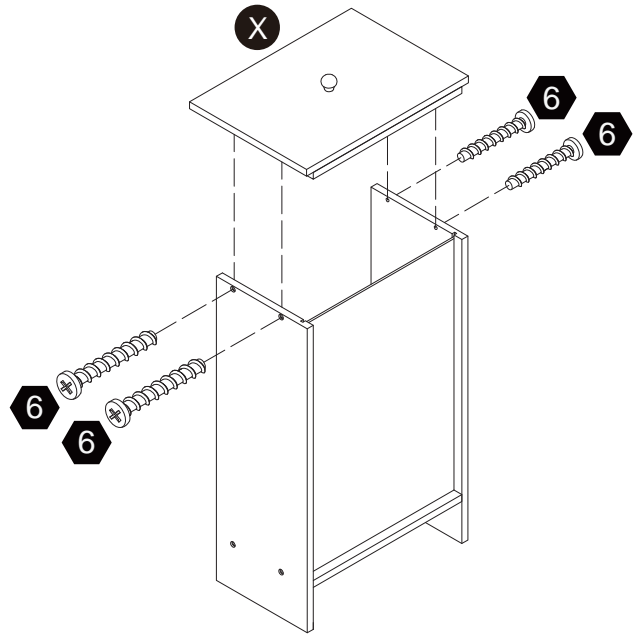


Step 21

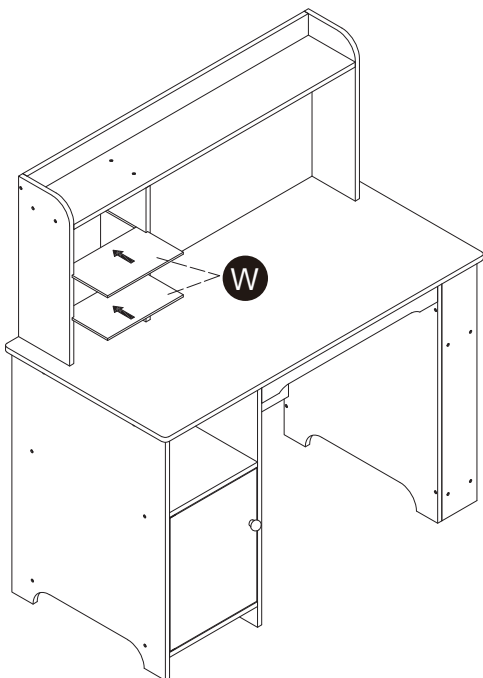


Step 22

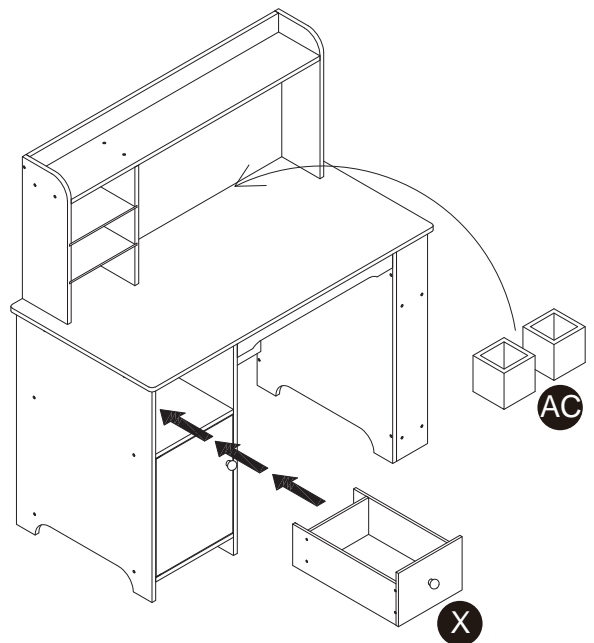
6  4 pcs
Ø4*22mm




Step 23

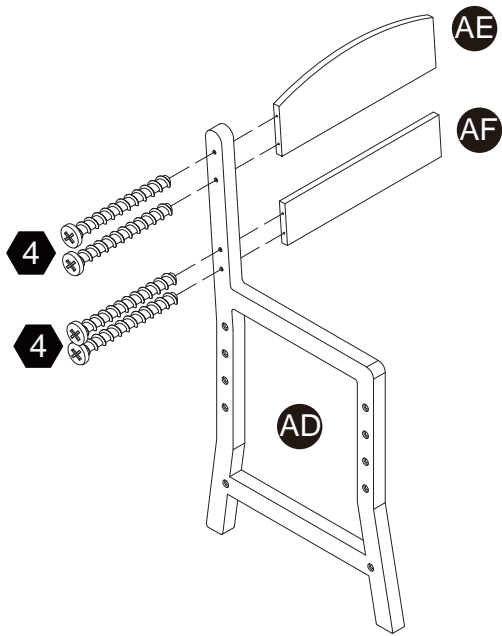


Step 24




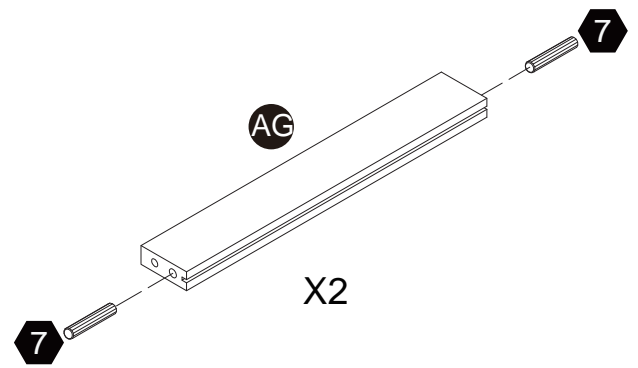
Step 25

4  4 pcs
Ø4*28mm




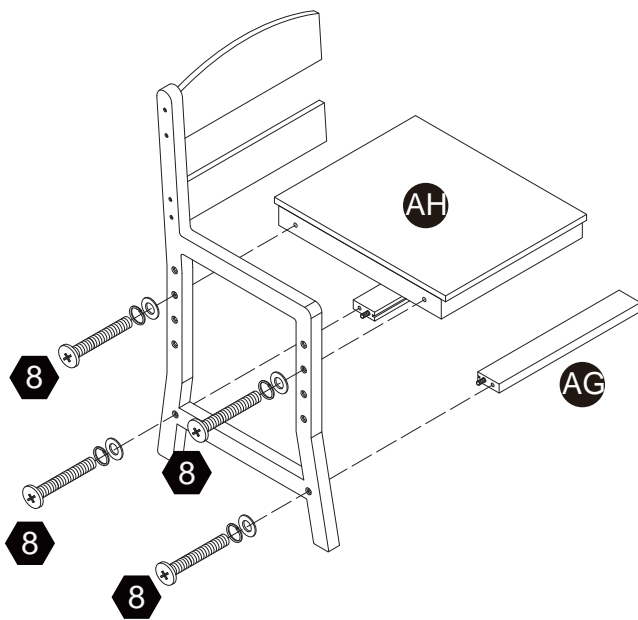
Step 26

7  4 pcs
Ø8*30mm

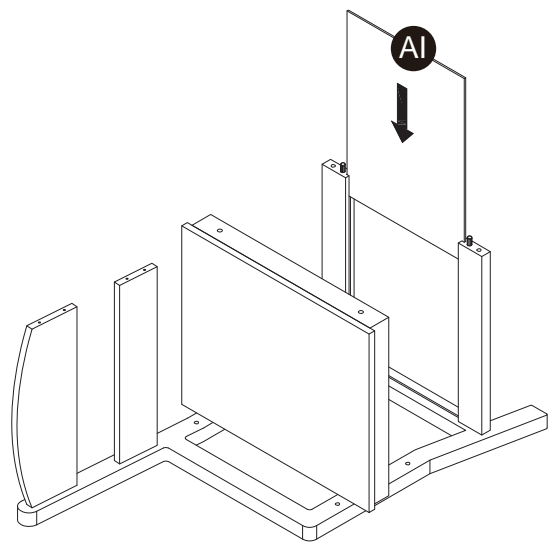


Step 27

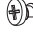
8  4 sets
M6*40mm




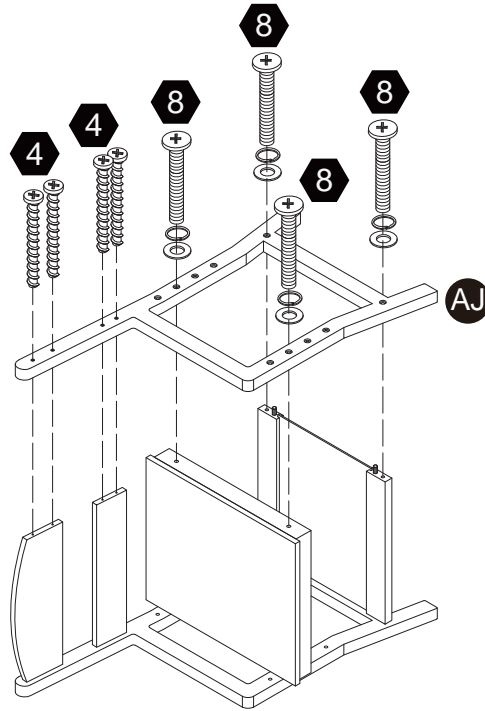
Step 28



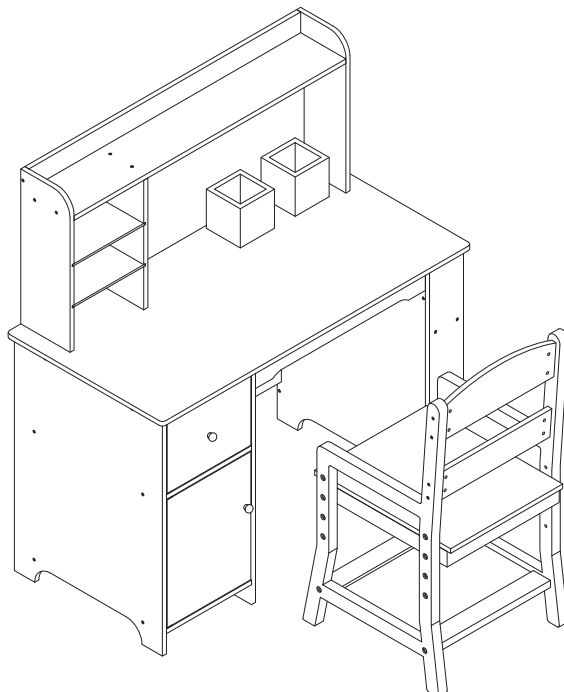
Step 29

4  4 pcs
Ø4*28mm

8  4 sets
M6*40mm



Step 30



WALL MOUNTING ASSEMBLY

For added safety and stability, it is recommended that the wall mounting hardware be installed. For safe mounting, it is essential to use wall anchors appropriate to your wall type (i.e. plaster, drywall, concrete, etc.). Mount to wood studs whenever possible.

⚠ WARNING:
Do not install on a wall where items can fall off and injure a child.

⚠ WARNING:
CHOKING HAZARD, Unassembled parts may be choking hazard to children 3 years and younger.

Use a 1/4" (6.5mm) drill bit to pilot the hole. If mounting to plaster, wood panels, brick or other drywall please consult a qualified professional.

Please make sure you use the right hardware for your wall type for your safety.

⚠ CAUTION:
Adult assembly required.
Hardware contains small screws with sharp points.
Keep unassembled parts out of reach of small children.

Hardware

A. Screw x 1
M4x25mm



B. Small Washer x 2
Φ10XΦ5X1mm



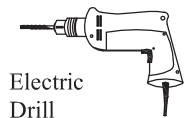
C. Plastic Anchor x 1



D. Plastic Anchor x 1



The following tools (not included) are required for assembly:



E. Wood Screw x 1
Φ4X32mm



F. Nut x 1



G. Large washer x 1
Φ16XΦ6X1mm



Wrench x 1



1/4" (6.5mm) Drill Bit

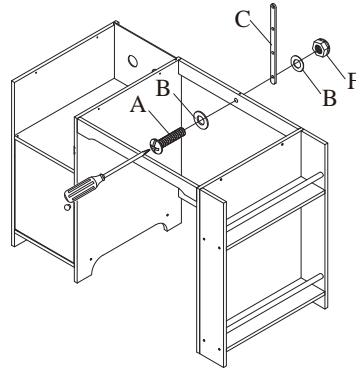


Phillips® Screwdriver

Step 1

Attach Plastic strip to back of product.

Hole predrilled in product backboard #L



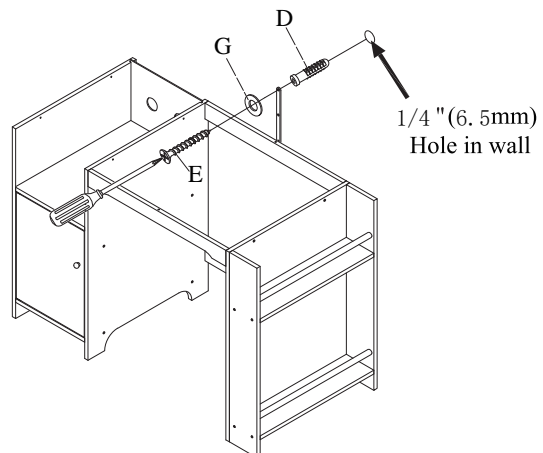
Step 2

Use 1/4" (6.5mm) drill bit to drill hole in wall

Do not drill an oversized hole or the wall anchor will not hold tightly into the wall.

Tap wall anchor into hole.

Secure product to wall with screw "E" through Plastic strap and into wall anchor.



Warning:

Serious or fatal injuries can occur from furniture tip-over. To help prevent furniture tip-over:

Use provided mounting hardware to secure furniture to the wall.

This may reduce but not eliminate the risk of furniture tip-over.

Do not allow children to climb on furniture.

Keep remote controls, toys, and other items that might attract children off of this product.

Unless specifically designed to accommodate, do not set televisions or other heavy objects on top of this product.