

ASSEMBLING & INSTALLATION INSTRUCTIONS PRODUCT OUTDOOR POST MOUNT LIGHT FIXTURE

WARNING! SHUT POWER OFF AT FUSE OR CIRCUIT BREAKER .

ASSEMBLING THE FIXTURE (Fig.1).

1. Carefully unpack new fixture and lay all the parts on a clear surface. Take care not to lose any small parts necessary for installation.
2. NOTE: Discharge of the loop(A), take out cover(B),(C) and glass shade(D).
3. Install the light bulbs(no included) in accordance with the fixture's specifications. **DO NOT EXCEED THE MAXIMUM WATTAGE RATING!**
4. Attach the glass shade(D) to the lamp body(E), aligning the top center hole with the pipe screw, attach the cover(C) and (B) to the glass shade(D), then lock it securely with the loop(A).
5. Attach the assembly lamp body onto the post(E, no included) and lock it securely with the screw (F).

Wiring (Fig.2)

1. Connect the electrical wires as follows. Connect the black wire from the fixture to the black house (hot) wire. Connect the white wire from the fixture to the white (neutral) house wire. Make sure all wire nuts are secured. You may wrap the connections with electrical tape. If your outlet box has a ground wire (green or bare copper) connect fixture's ground wire to it. Otherwise attach the bare copper fixture wire to the green ground screw on the circular strap.
2. Tuck the wire connections neatly into the junction box.

Your installation is now complete. Return power to the junction box and test the fixture.

Fig.1

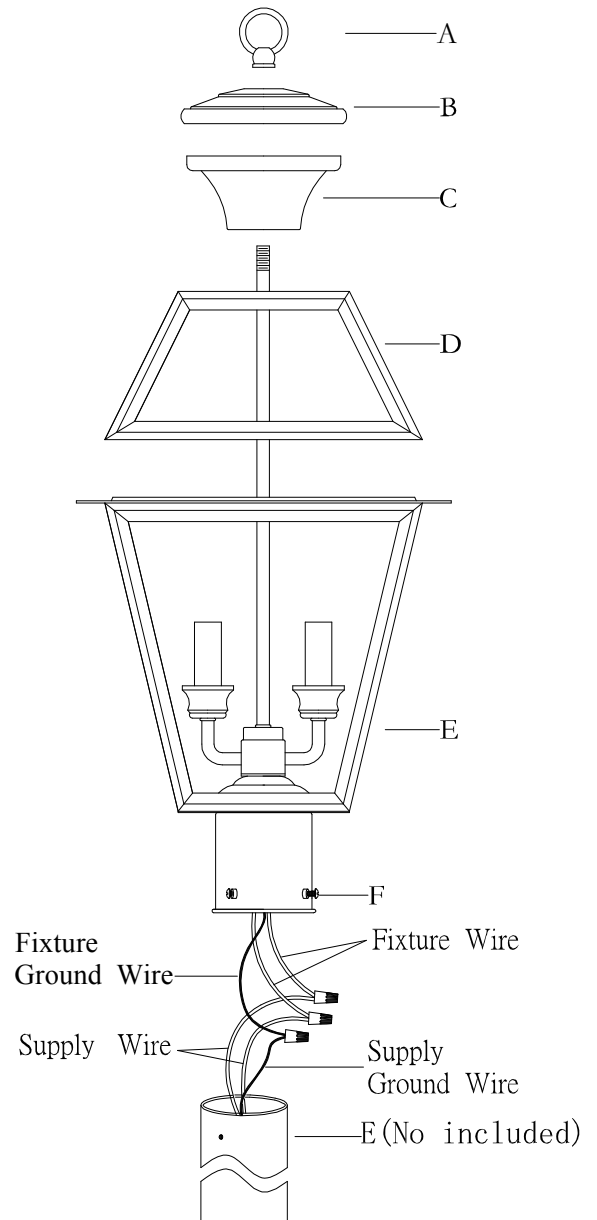


Fig.2

