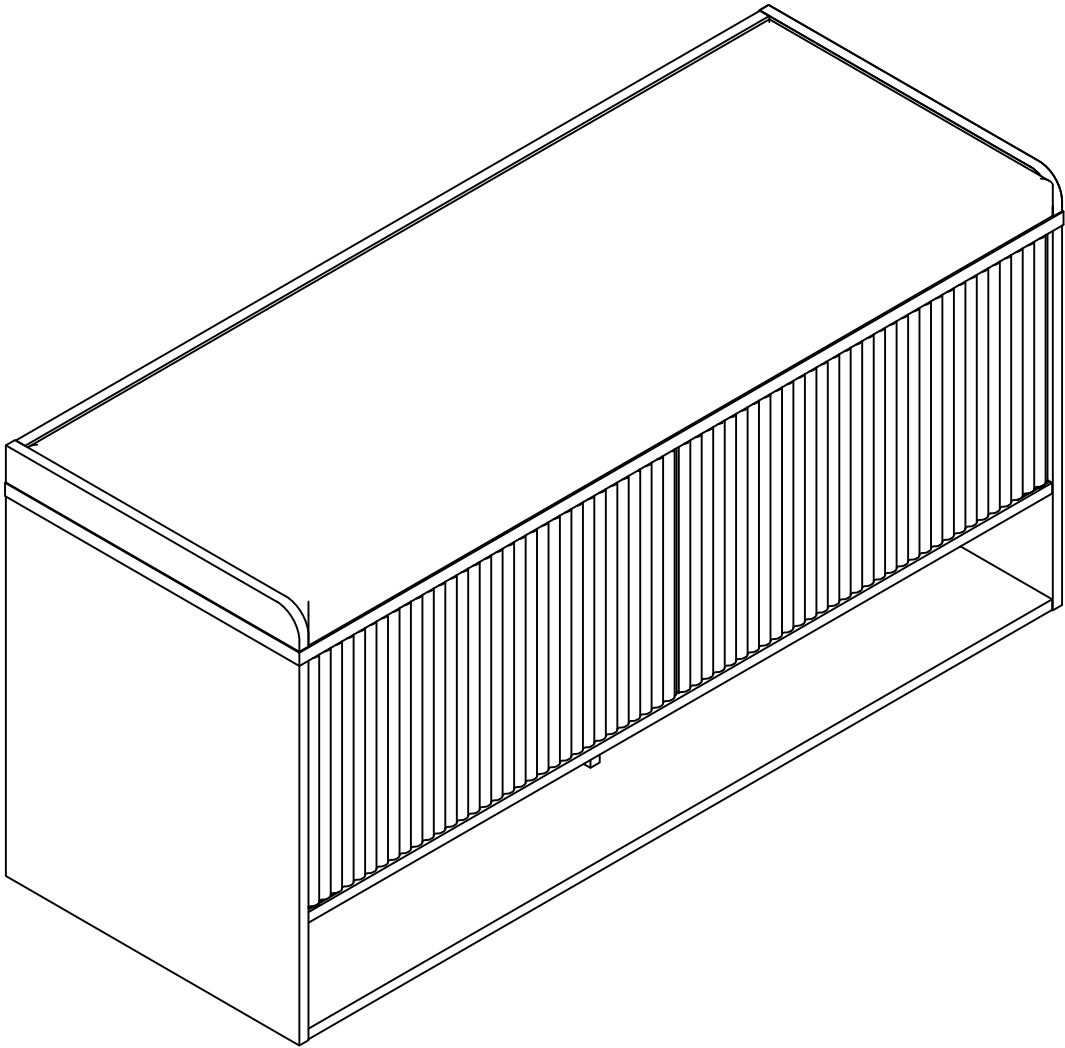


# Shoe cabinet

ASSEMBLY INSTRUCTIONS

---

## Shoes Bench



## General Guidelines

- \* Please read the following instruction carefully and use the product accordingly.
- \* Please keep this manual and hand it over when you transfer the product.
- \* This summary may not include every detail of all variations and considered steps. Please contact us when further information and help are needed.

## Notes

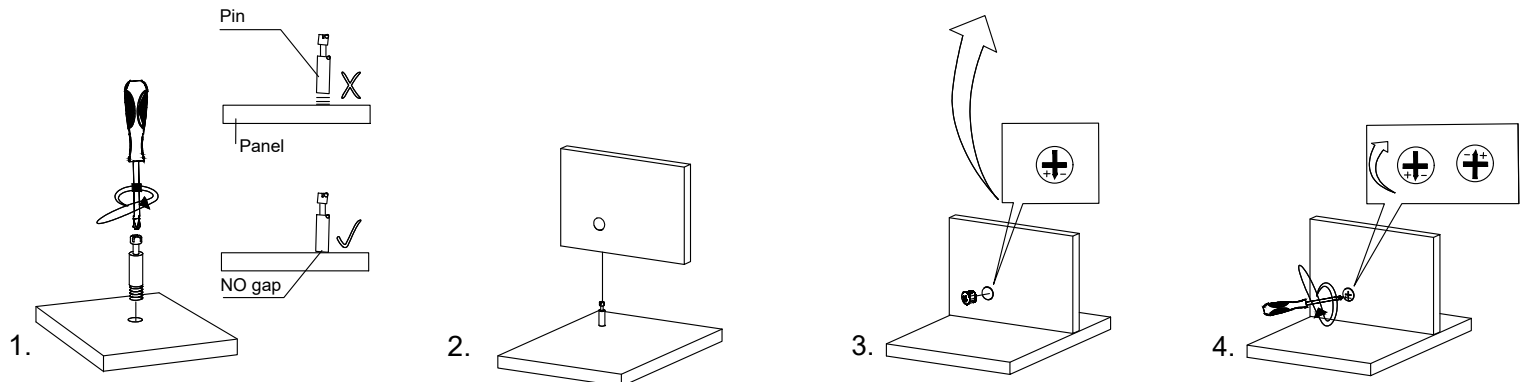
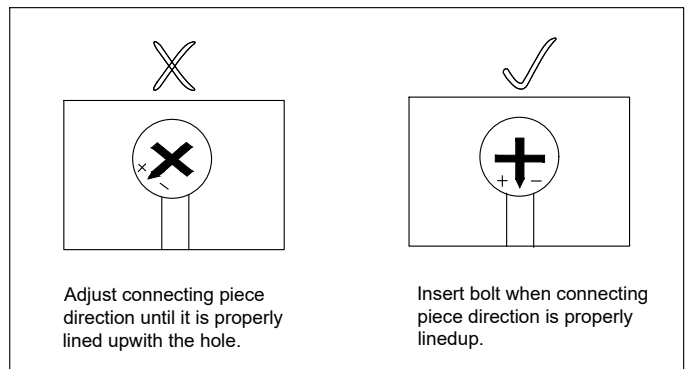
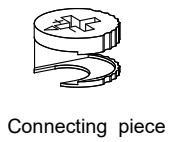
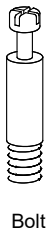
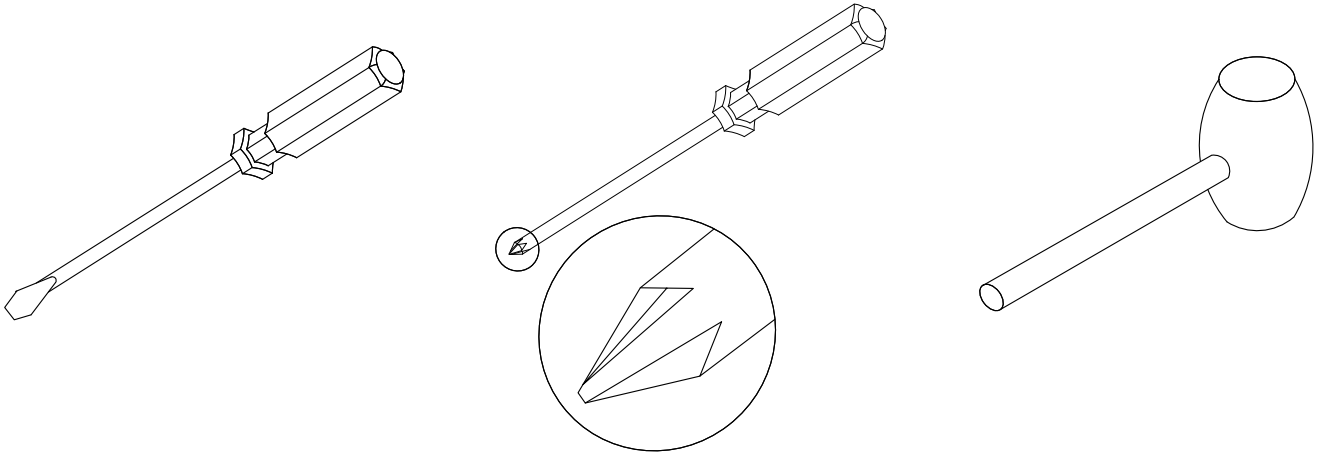
- \* The product is intended for indoor use only. The product must be assembled and used in accordance with the provisions of the manual. Personal injury and/or damage to product may occur if products are used outside of their intended purposes and/or if products have been changed/modified from their original design. The seller does not assume any responsibility or liability with respect to any injury/damage caused by incorrect assembly or improper use.
- \* If there are any defective or missing parts after unpacking, please cease assembly immediately and contact us.
- \* Please wear gloves during the assembly and/or disassembly process to avoid scratches from any sharp edges..
- \* Please place this item on level, solid ground during use.
- \* Avoid long-term exposure to humid environments to prevent mildew.
- \* Keep the product away from fire sources and high temperatures. Do not expose the product to direct sunlight.
- \* Do not place any hot objects on the surface of the product.
- \* **Do not fully tighten the screws during initial assembly. Fully tighten screws only once all pieces which are correctly assembled**

## Warnings

- \* Children are not allowed to assemble the product. During assembly, keep all any small parts out of the reach of children as they may be fatal if swallowed or inhaled.
- \* Children are forbidden to climb or play on the product to avoid serious bodily injury caused by the toppling.
- \* Keep plastic packing bags out of reach of children to avoid any potential danger, such as suffocation.



# ASSEMBLY TOOLS REQUIRED (NOT INCLUDED)



# Hardware Provided

A



X 18+2

B



X 18+2

C



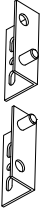
X 26+2

D



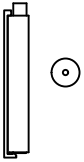
X 11+2

E



X 2

F



X 2

G



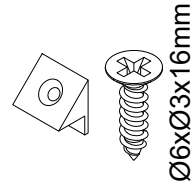
X 18+2

H



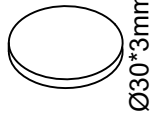
X 4

I



X 12+2

J



X 6+1

K



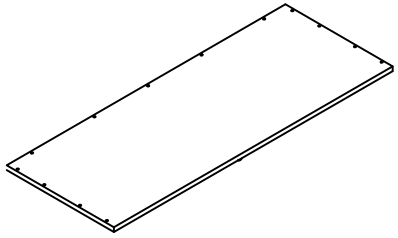
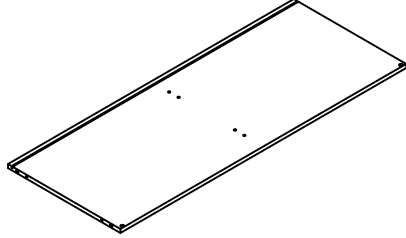
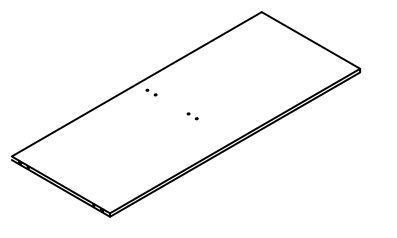
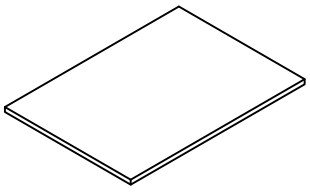
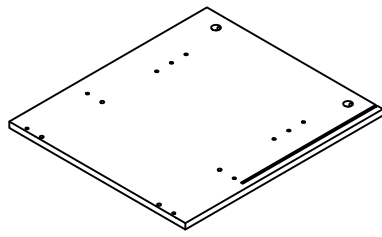
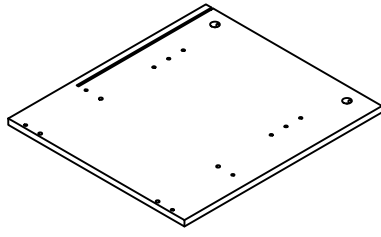
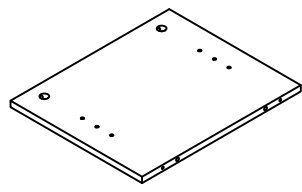
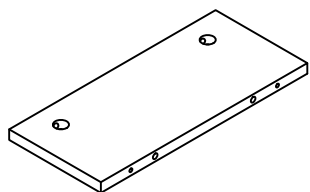
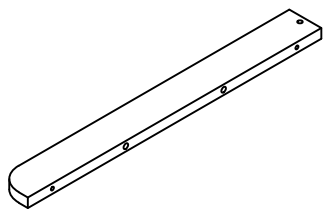
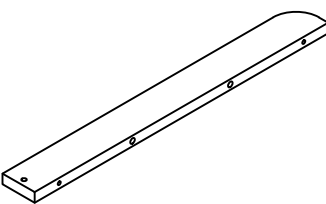
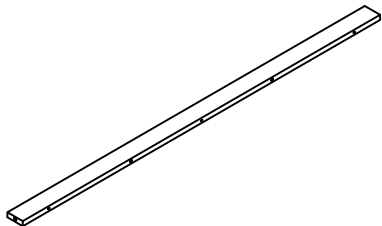
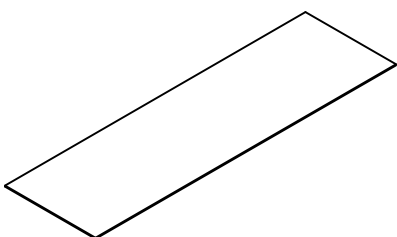
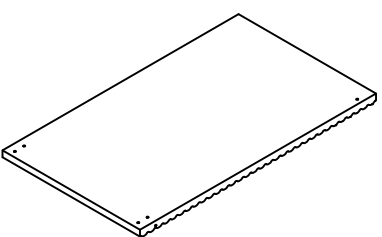
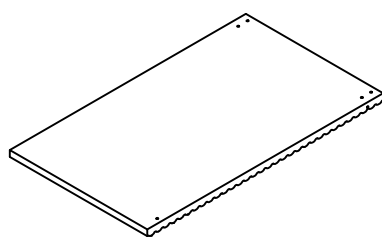
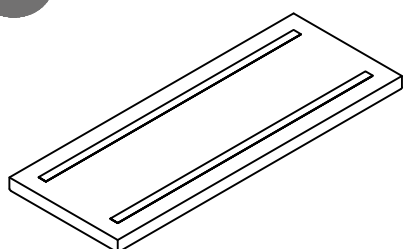
X 1

L

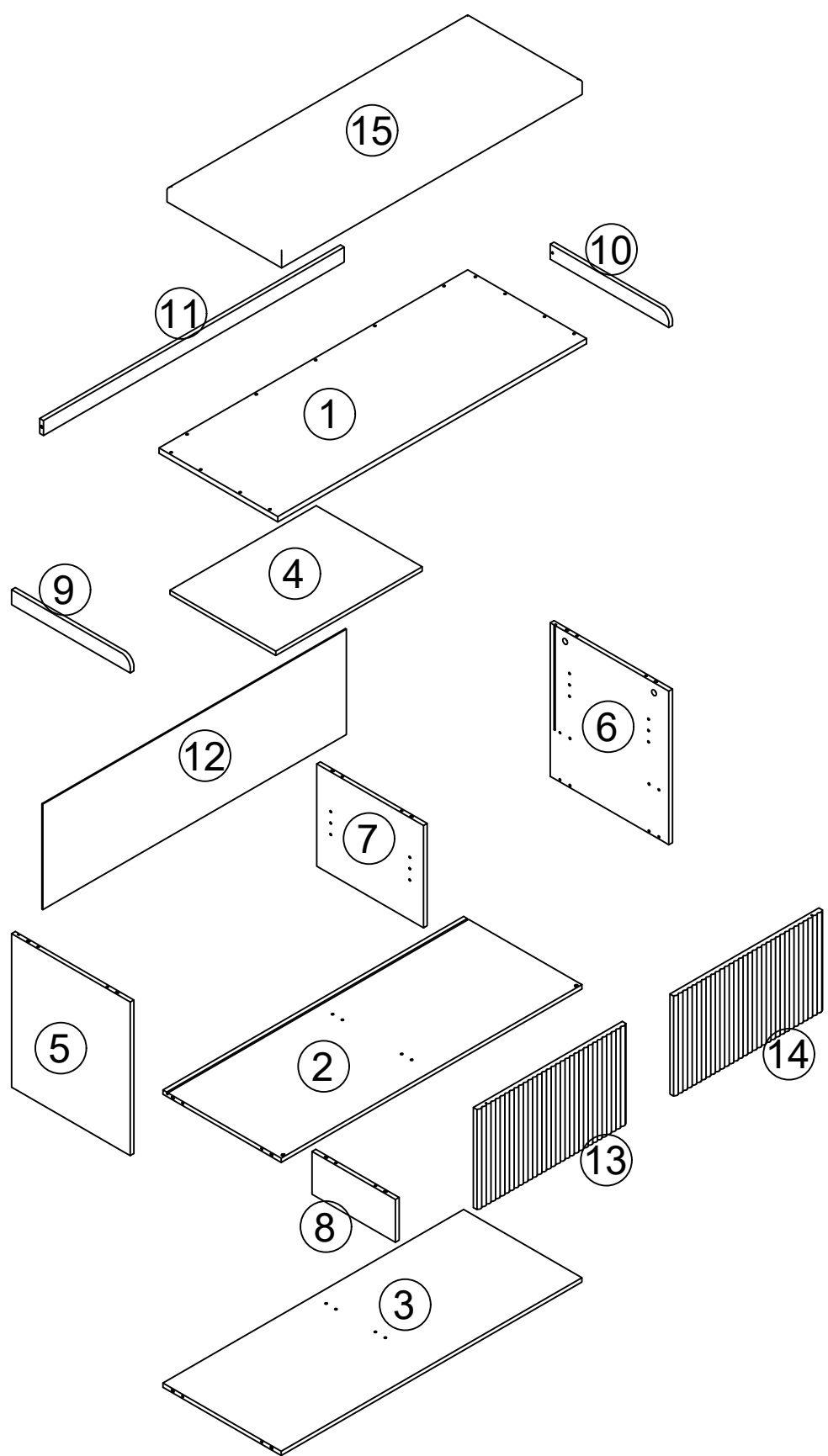


X 1

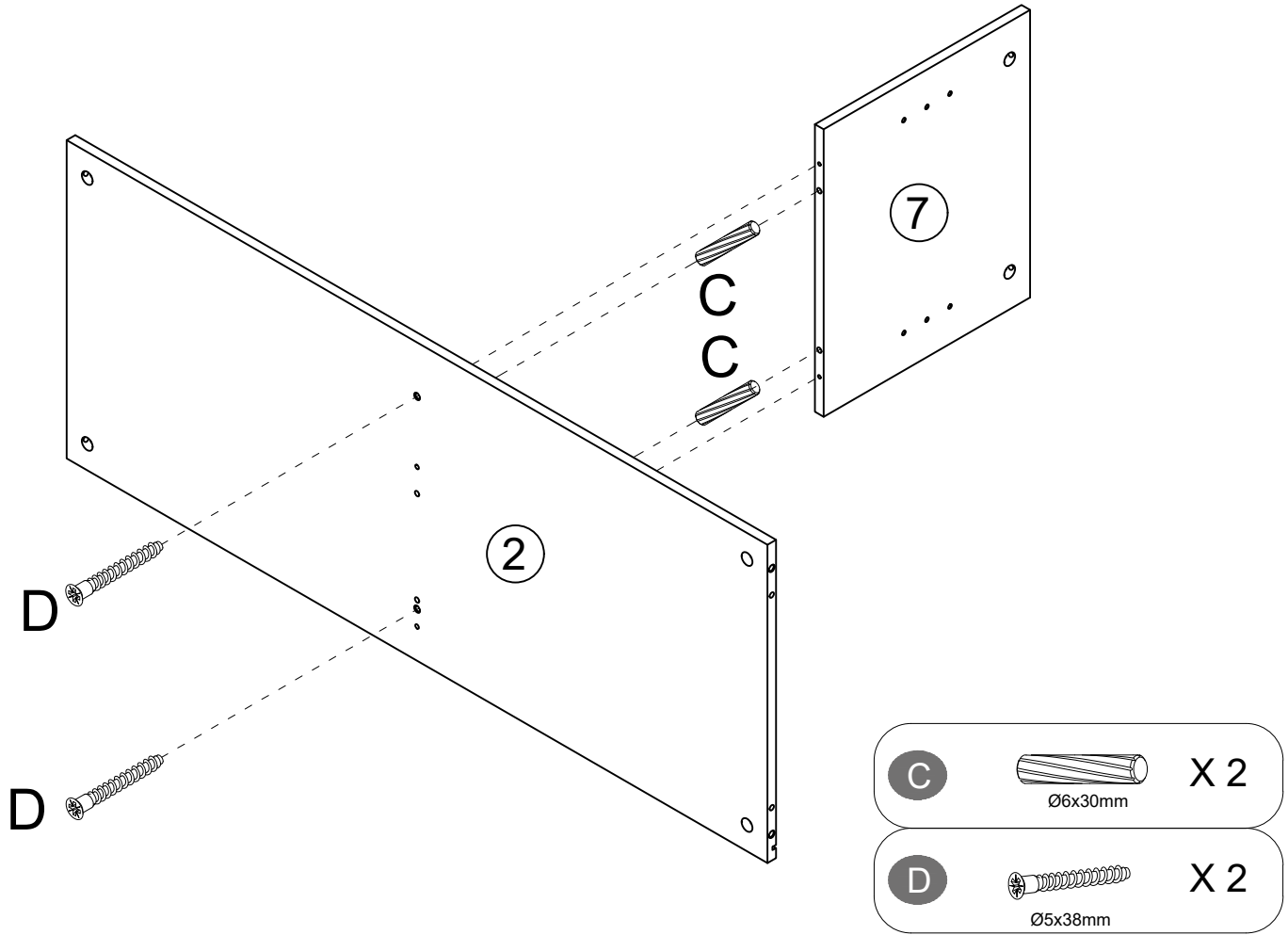
# Parts Identification

<p>1</p>  <p>X 1</p>	<p>2</p>  <p>X 1</p>	<p>3</p>  <p>X 1</p>
<p>4</p>  <p>X 1</p>	<p>5</p>  <p>X 1</p>	<p>6</p>  <p>X 1</p>
<p>7</p>  <p>X 1</p>	<p>8</p>  <p>X 1</p>	<p>9</p>  <p>X 1</p>
<p>10</p>  <p>X 1</p>	<p>11</p>  <p>X 1</p>	<p>12</p>  <p>X 1</p>
<p>13</p>  <p>X 1</p>	<p>14</p>  <p>X 1</p>	<p>15</p>  <p>X 1</p>

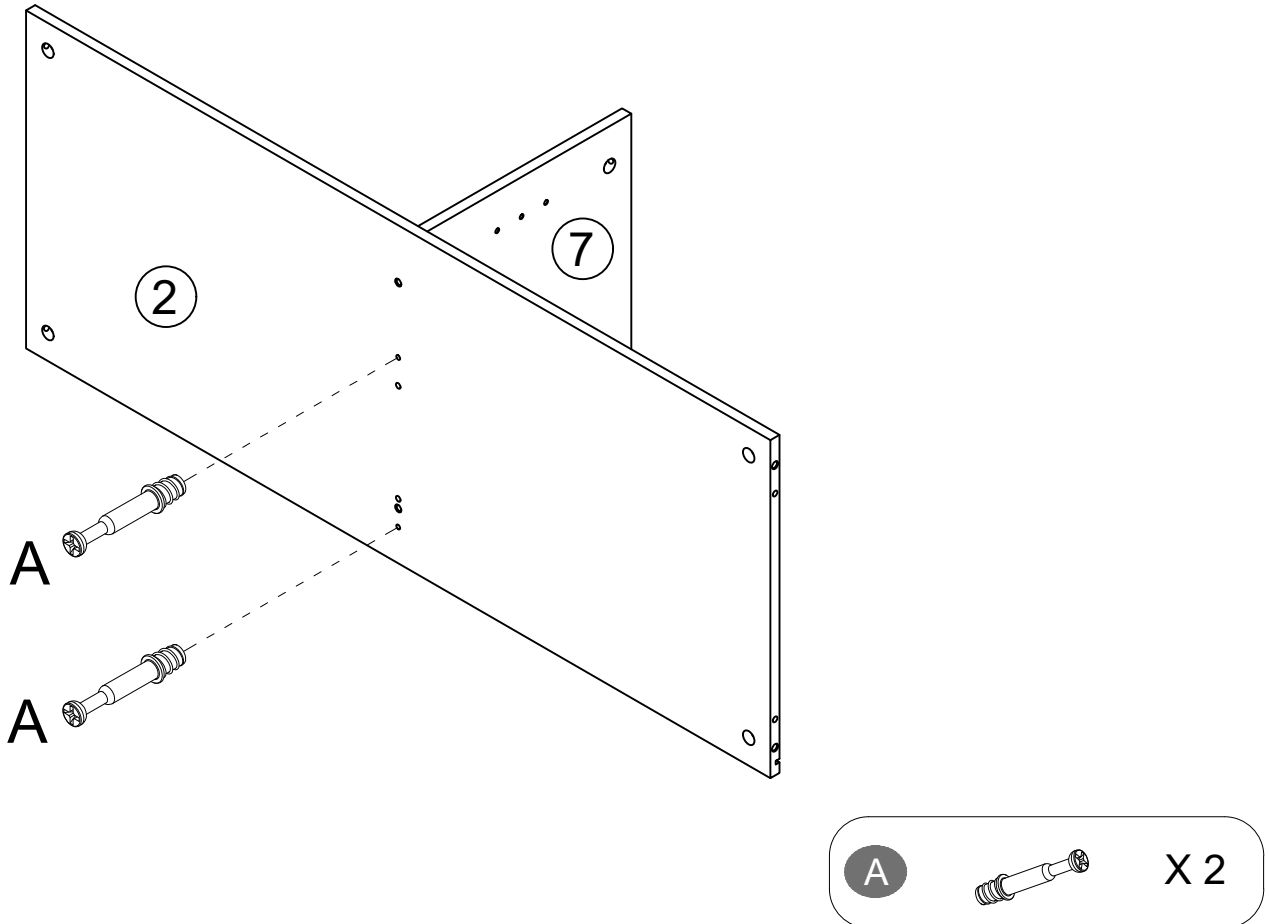
# Exploded View



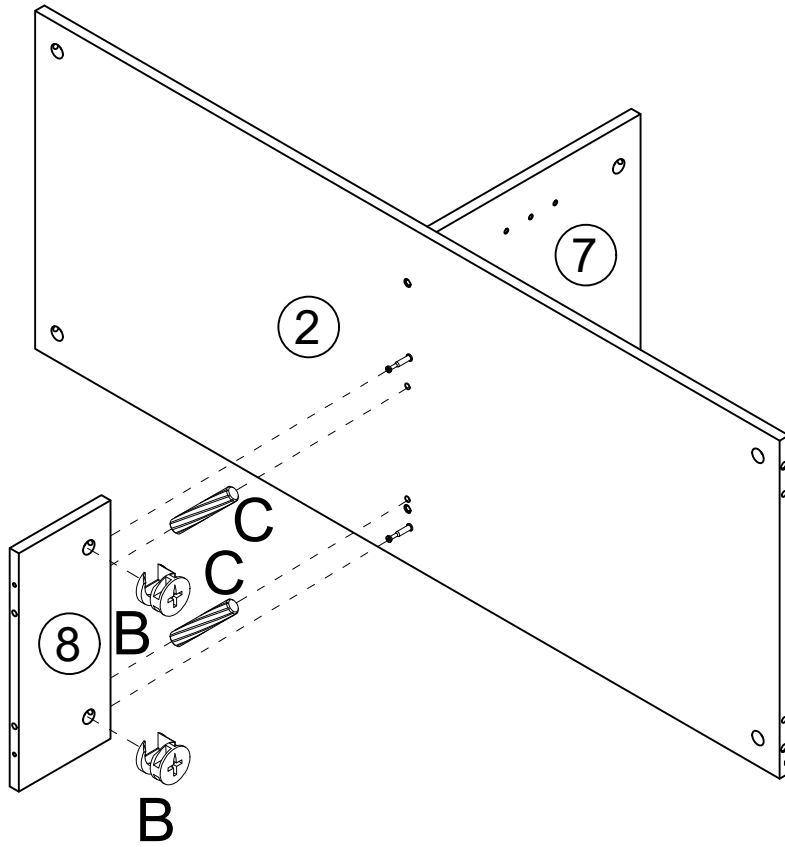
# STEP 1





# STEP 2

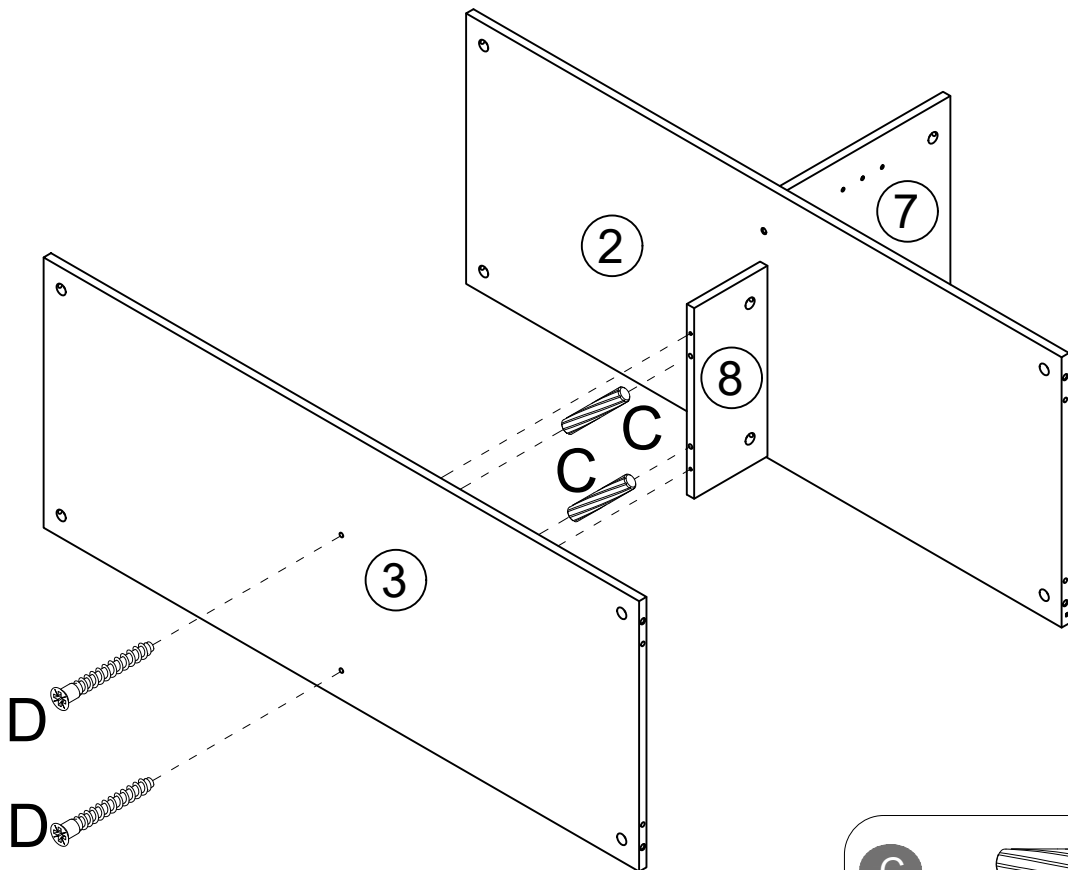



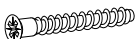
# STEP 3



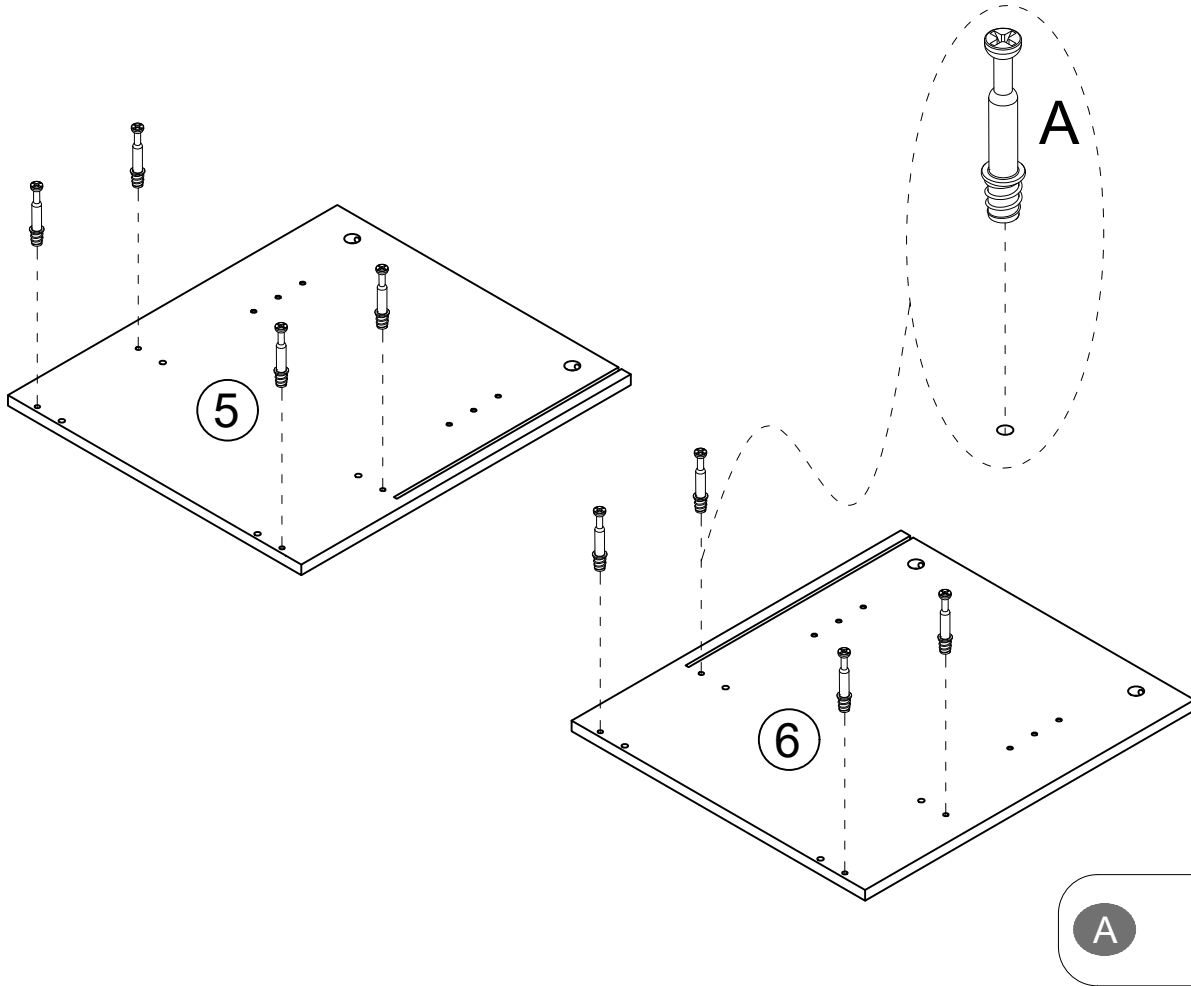
<b>B</b>		X 2
<b>C</b>	 Ø6x30mm	X 2

# STEP 4

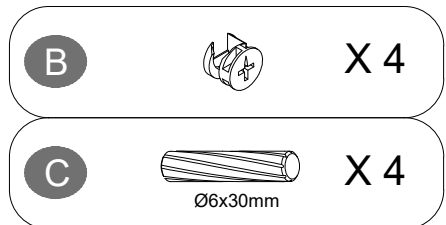
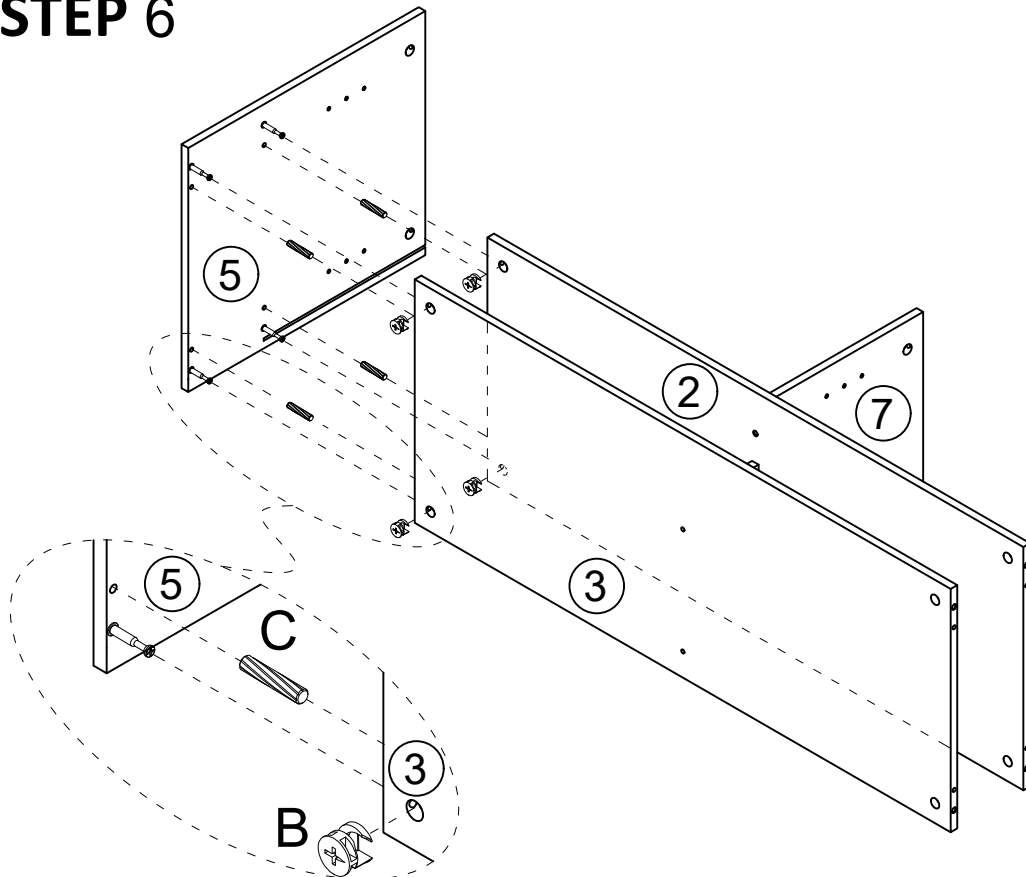


<b>C</b>	 Ø6x30mm	X 2
<b>D</b>	 Ø5x38mm	X 2

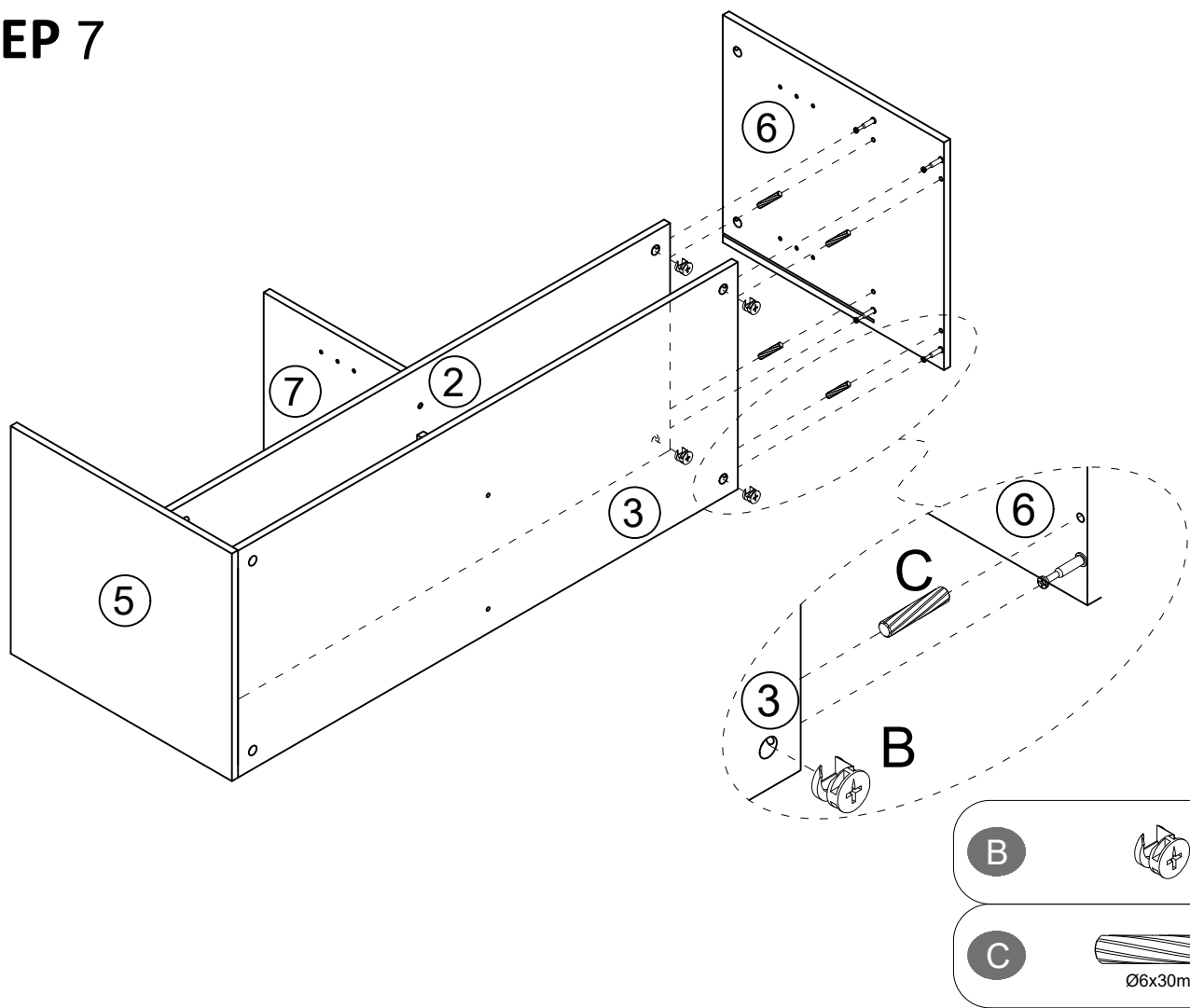
# STEP 5



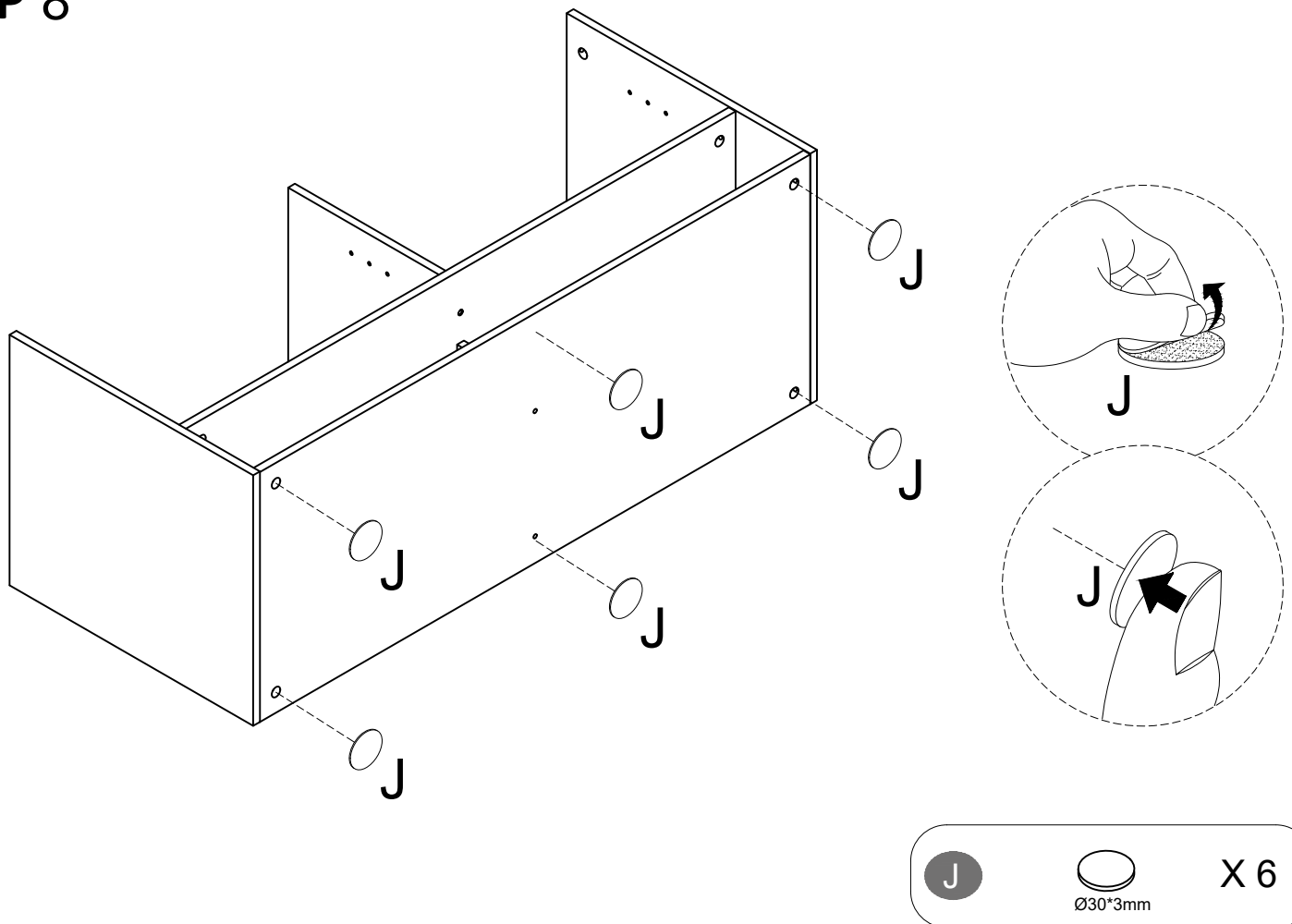
# STEP 6



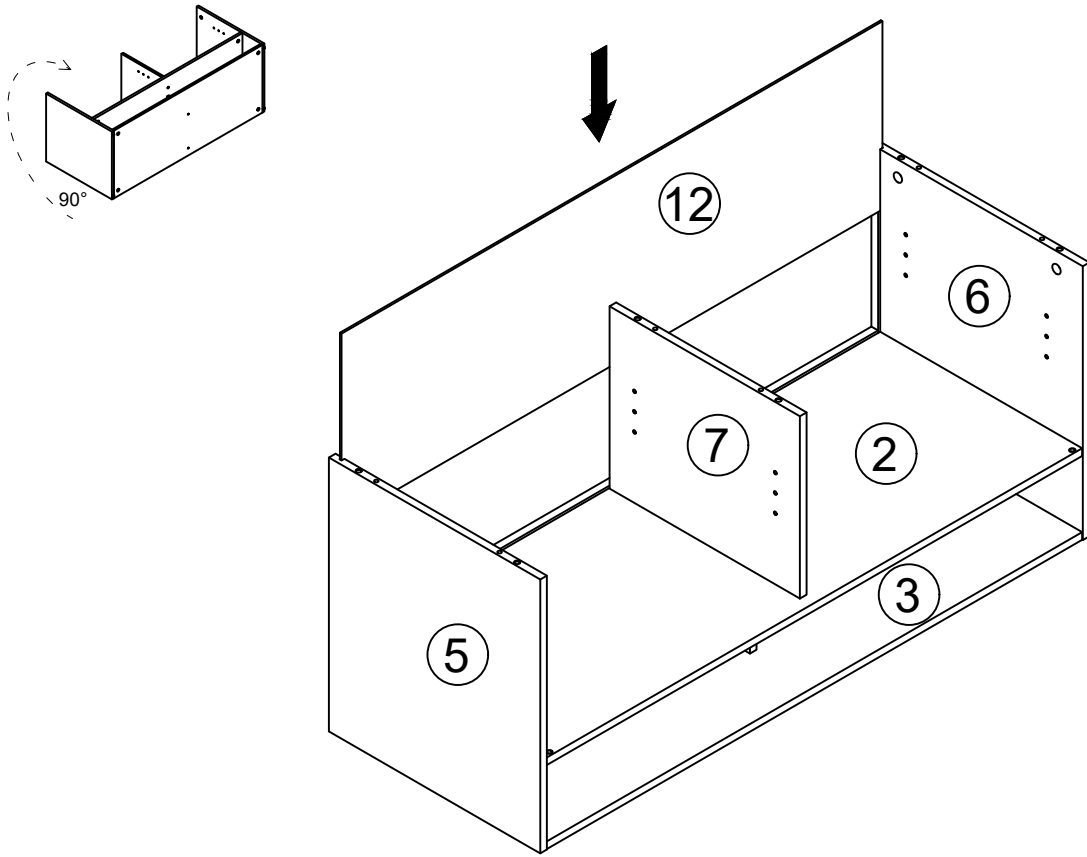
# STEP 7



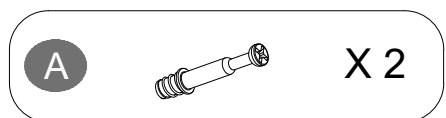
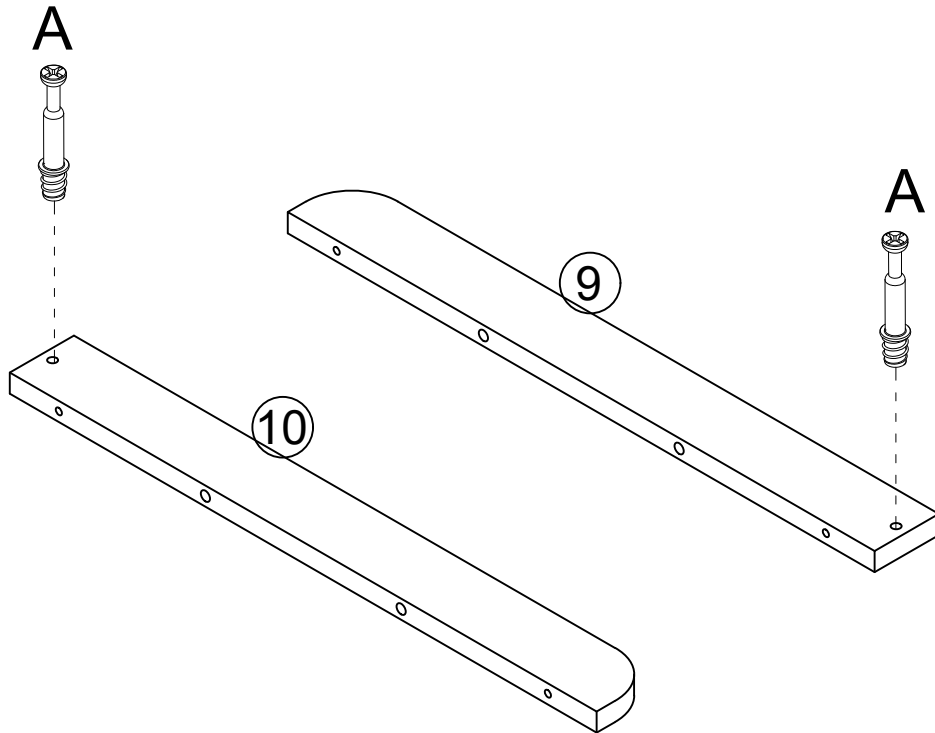
# STEP 8



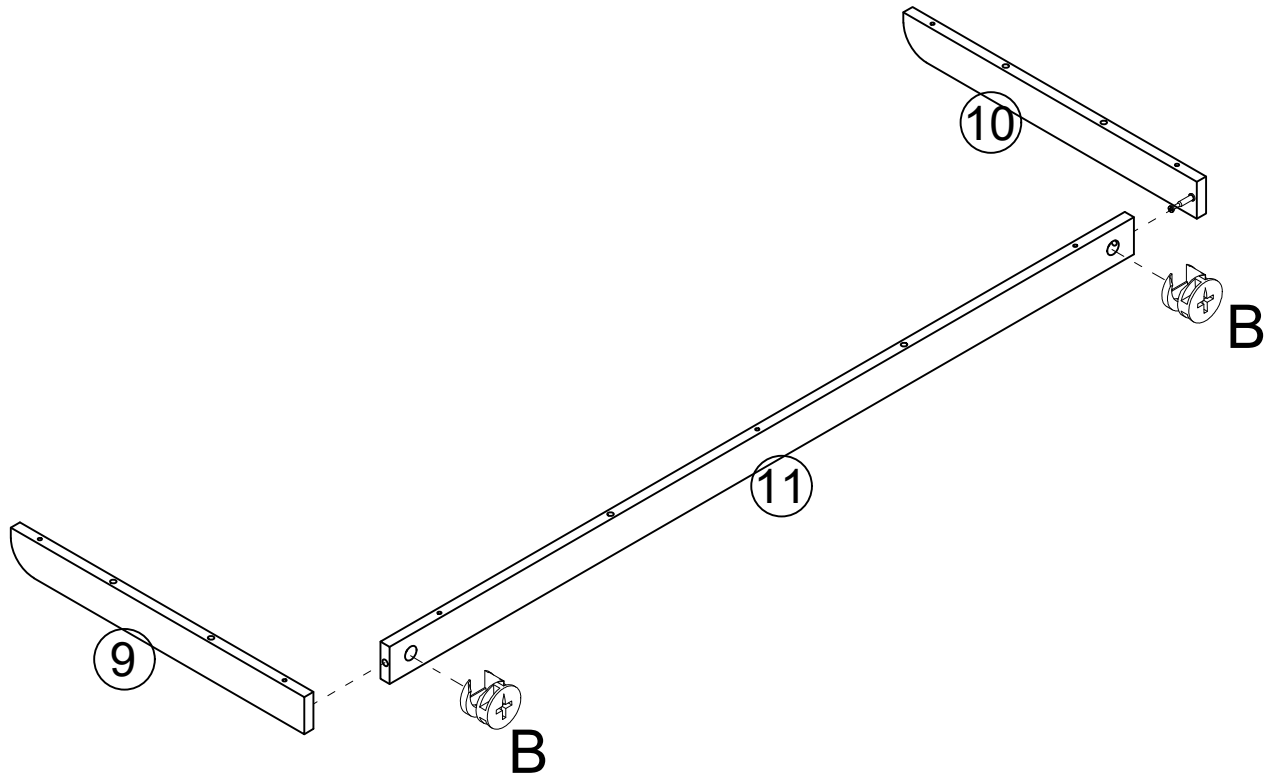
# STEP 9




# STEP 10

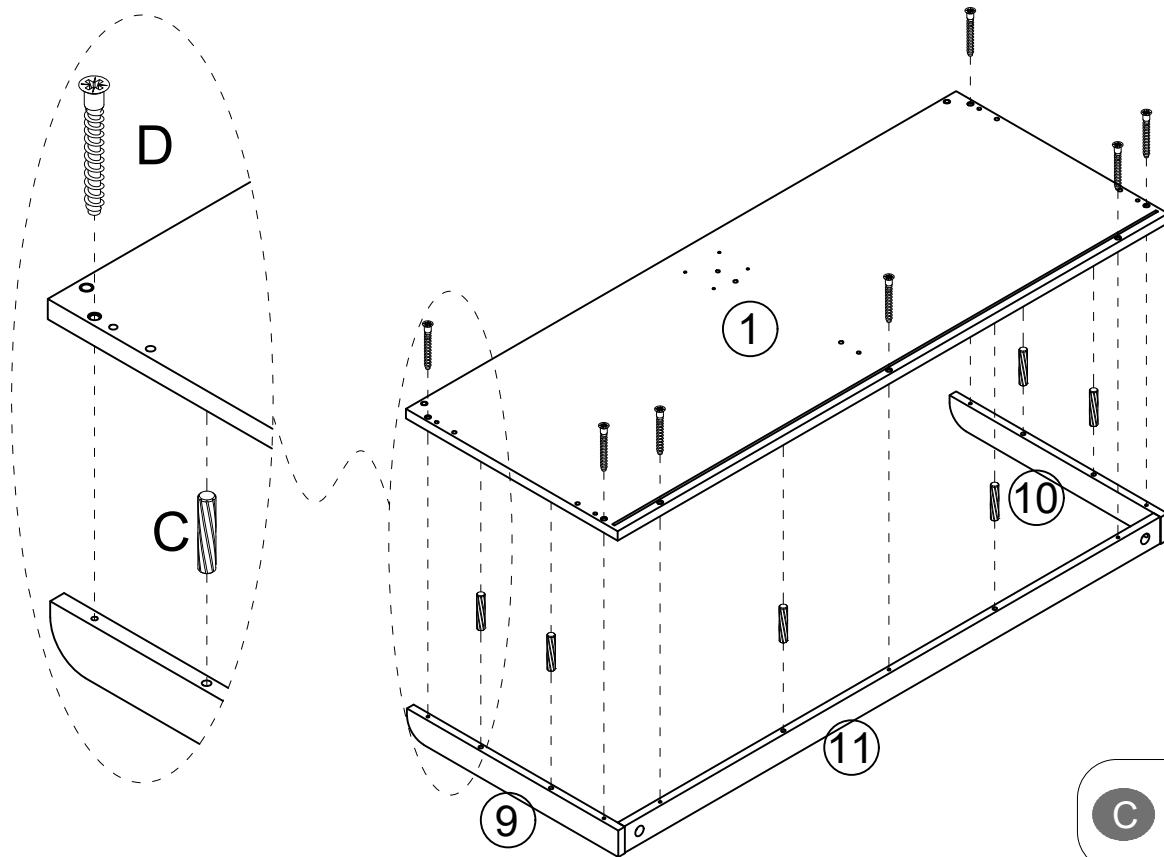


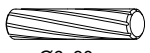
# STEP 11

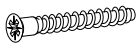


**B**  X 2

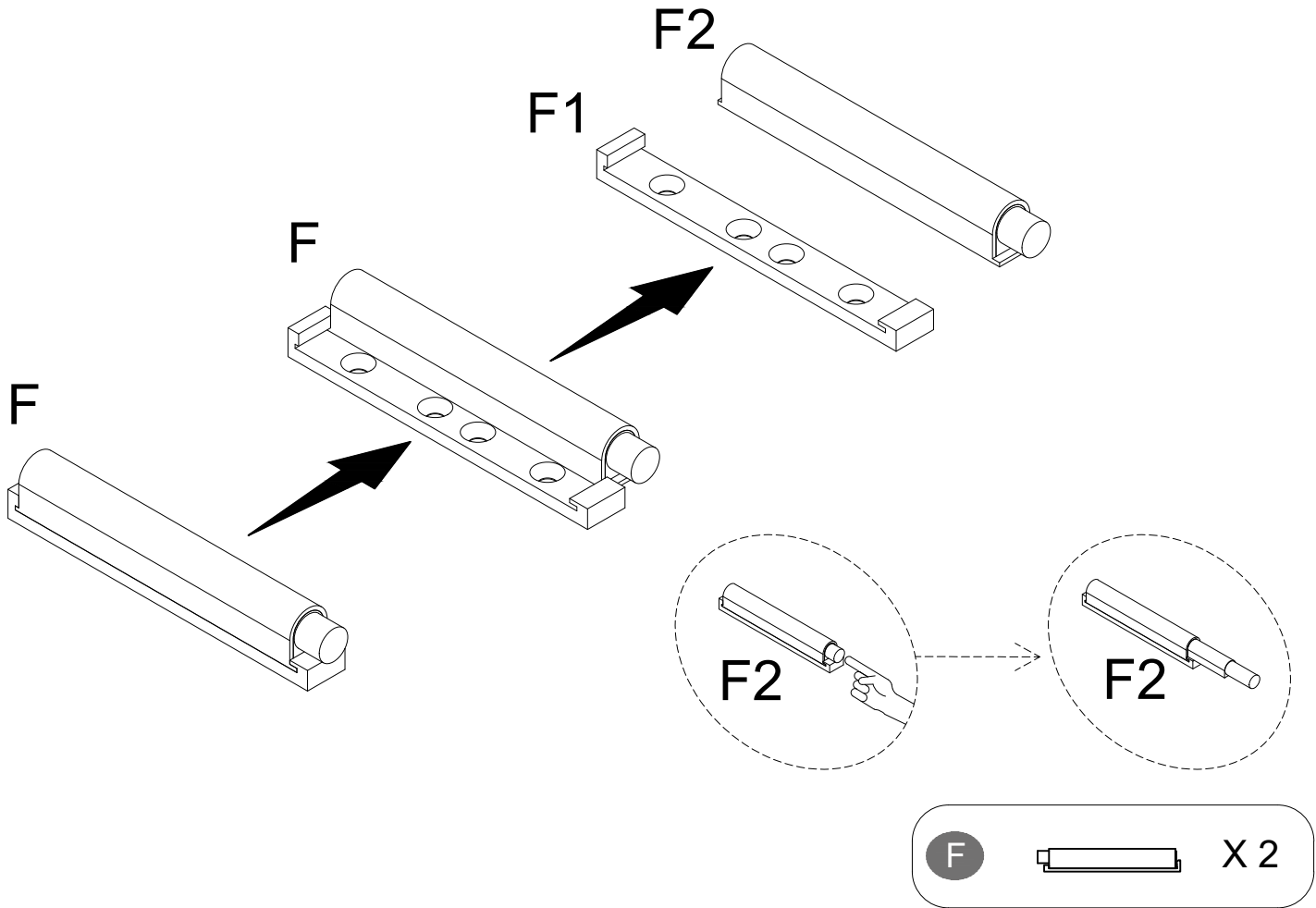
# STEP 12



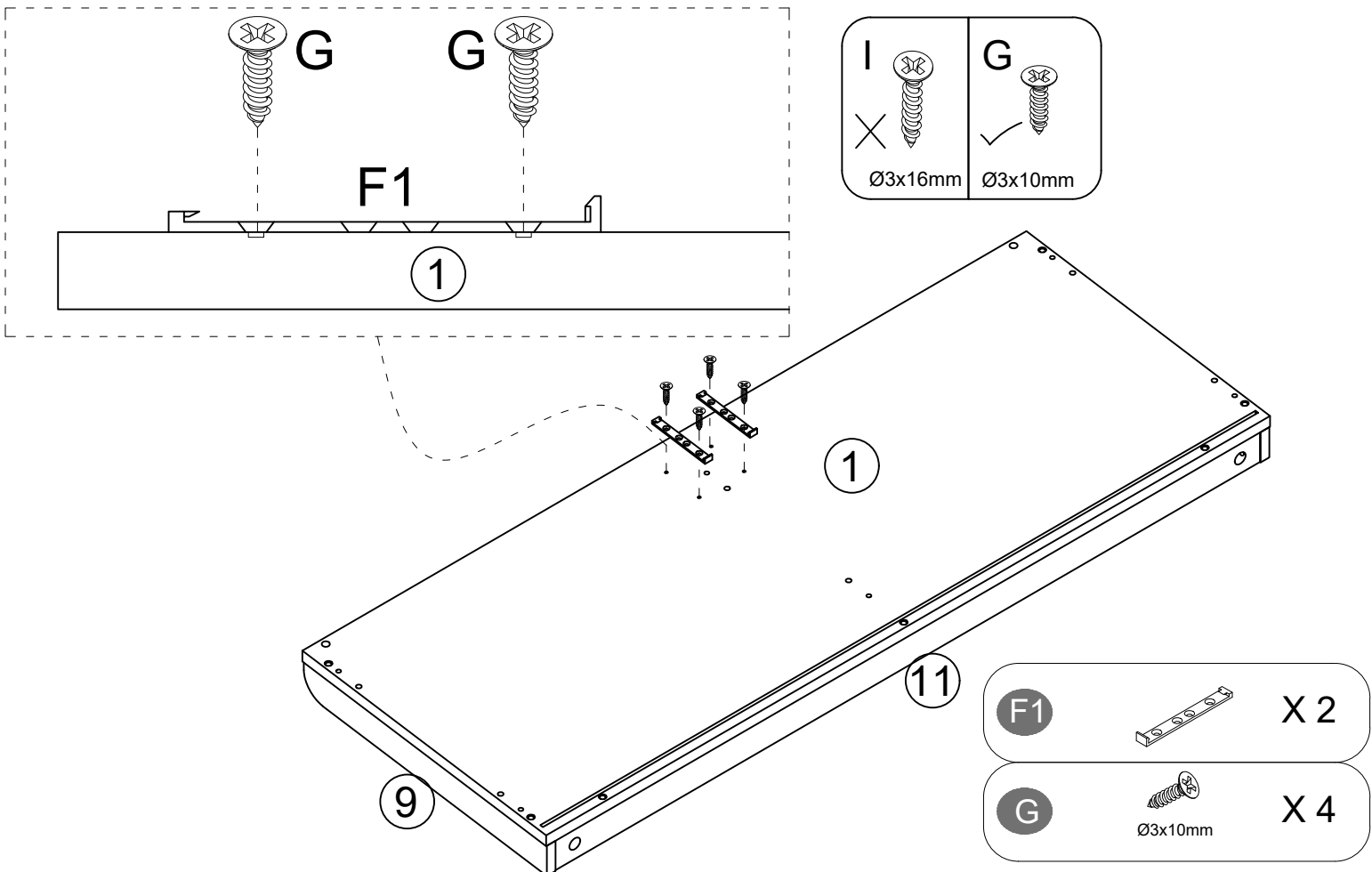
**C**  X 6  
Ø6x30mm

**D**  X 7  
Ø5x38mm

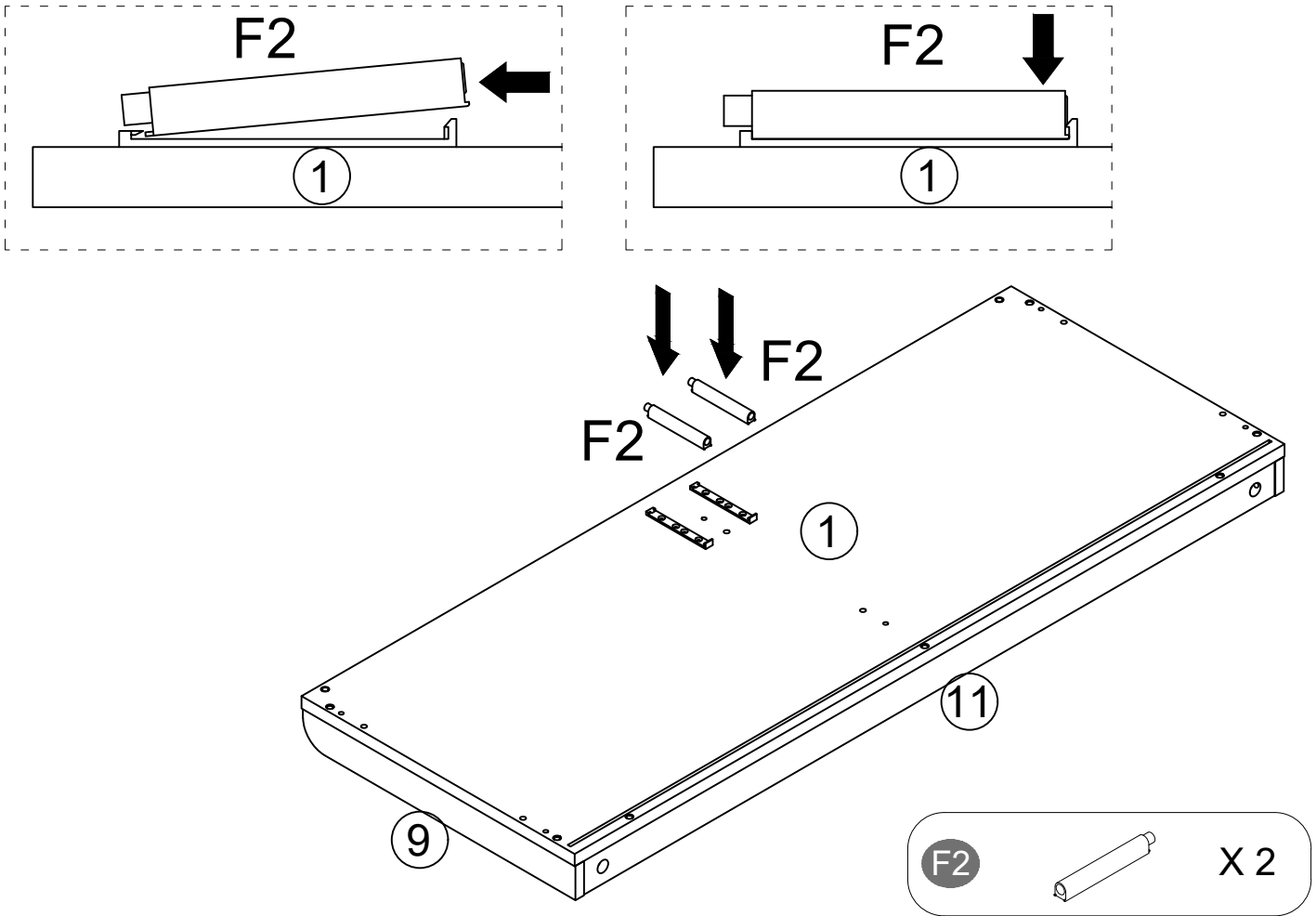
# STEP 13



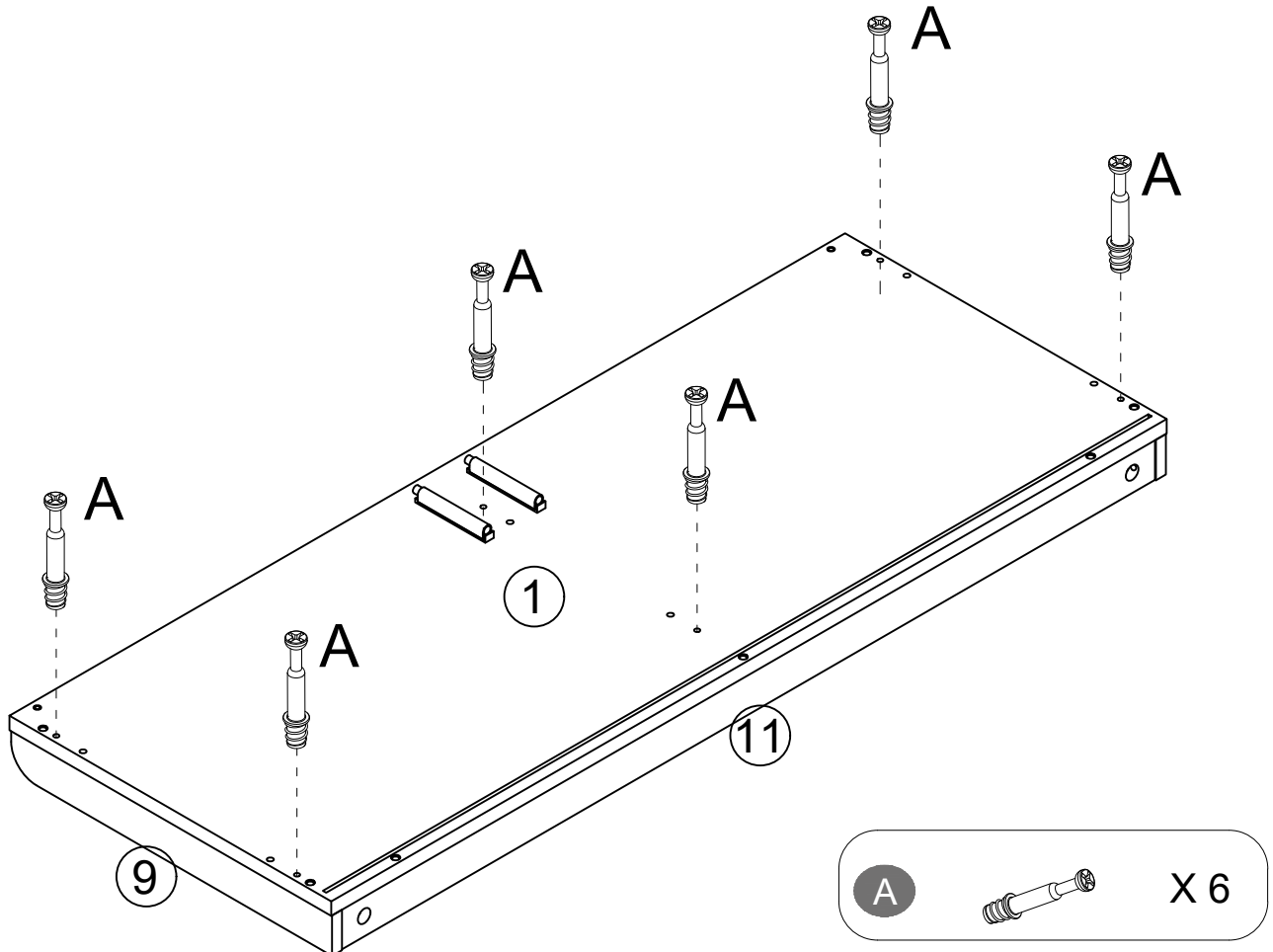
# STEP 14



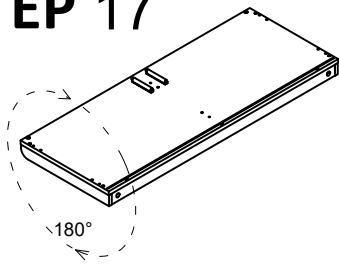
# STEP 15



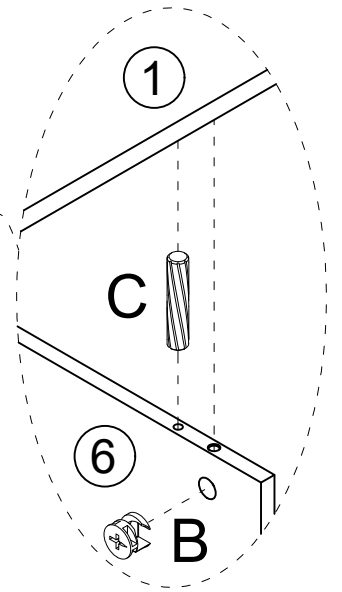
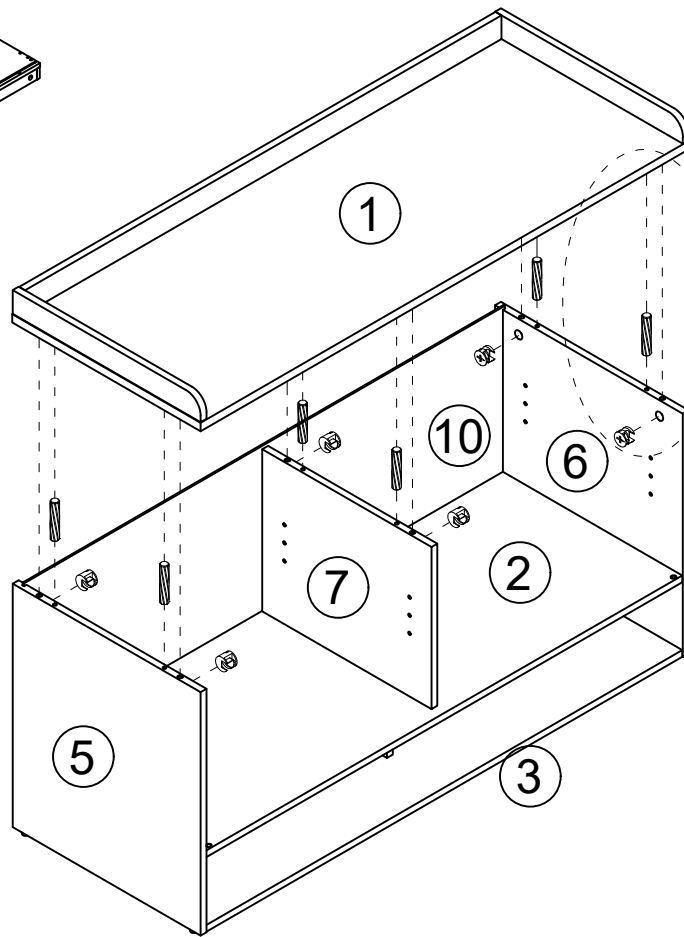
# STEP 16



# STEP 17

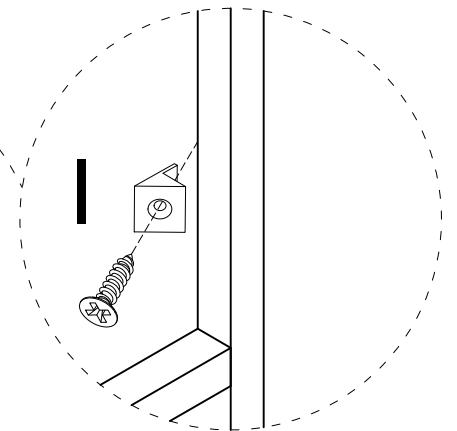
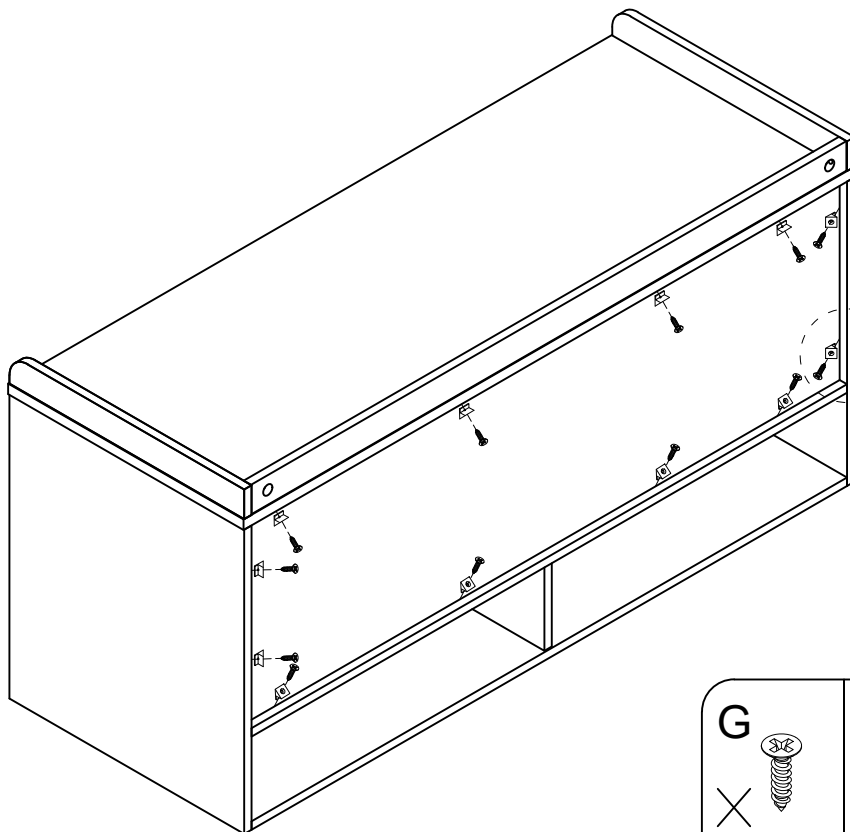


Be careful with your fingers



- |          |             |     |
|----------|-------------|-----|
| <b>B</b> |             | X 6 |
| <b>C</b> | <br>Ø6x30mm | X 6 |

# STEP 18

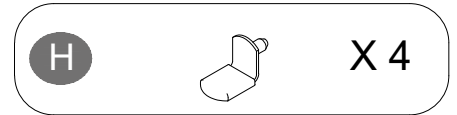
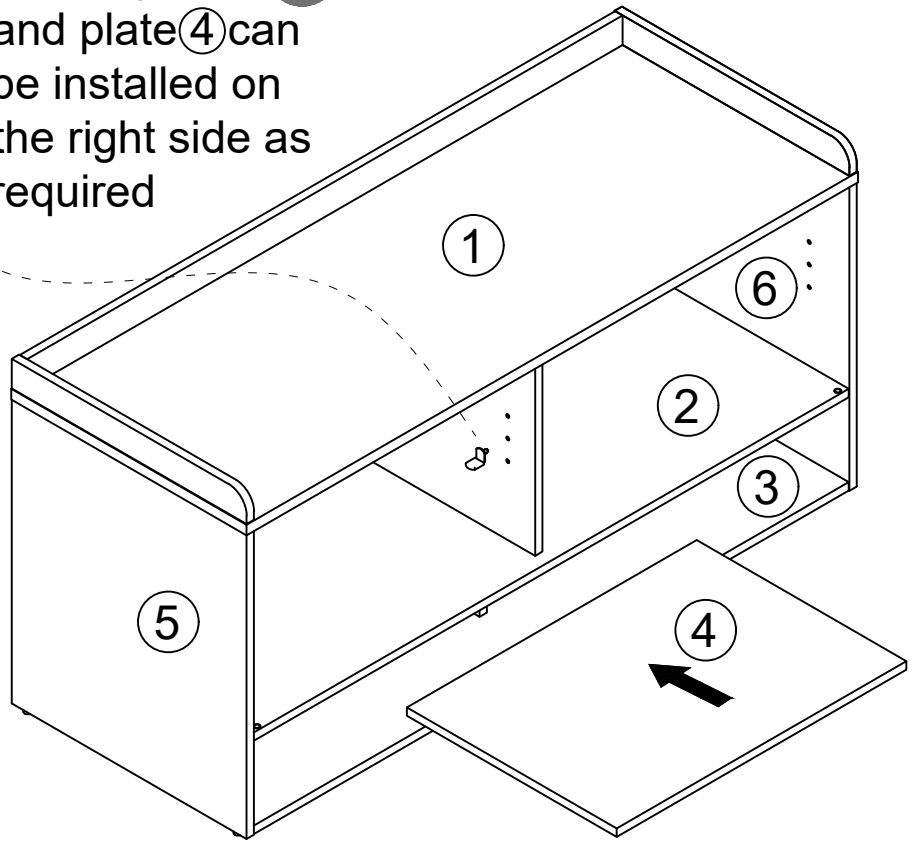
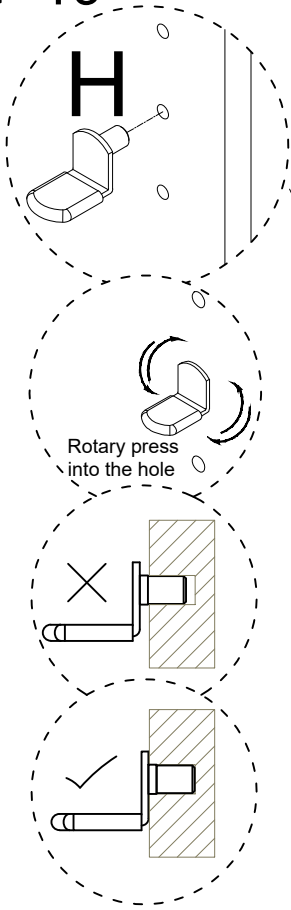


- |          |         |          |         |
|----------|---------|----------|---------|
| <b>G</b> |         | <b>I</b> |         |
| X        | Ø3x10mm | ✓        | Ø3x16mm |

- |          |         |      |
|----------|---------|------|
| <b>I</b> |         | X 12 |
|          | Ø3x16mm |      |

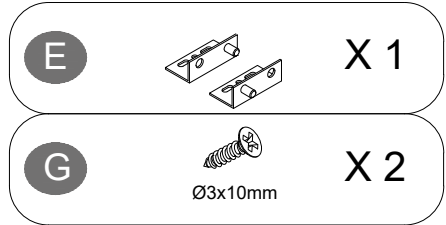
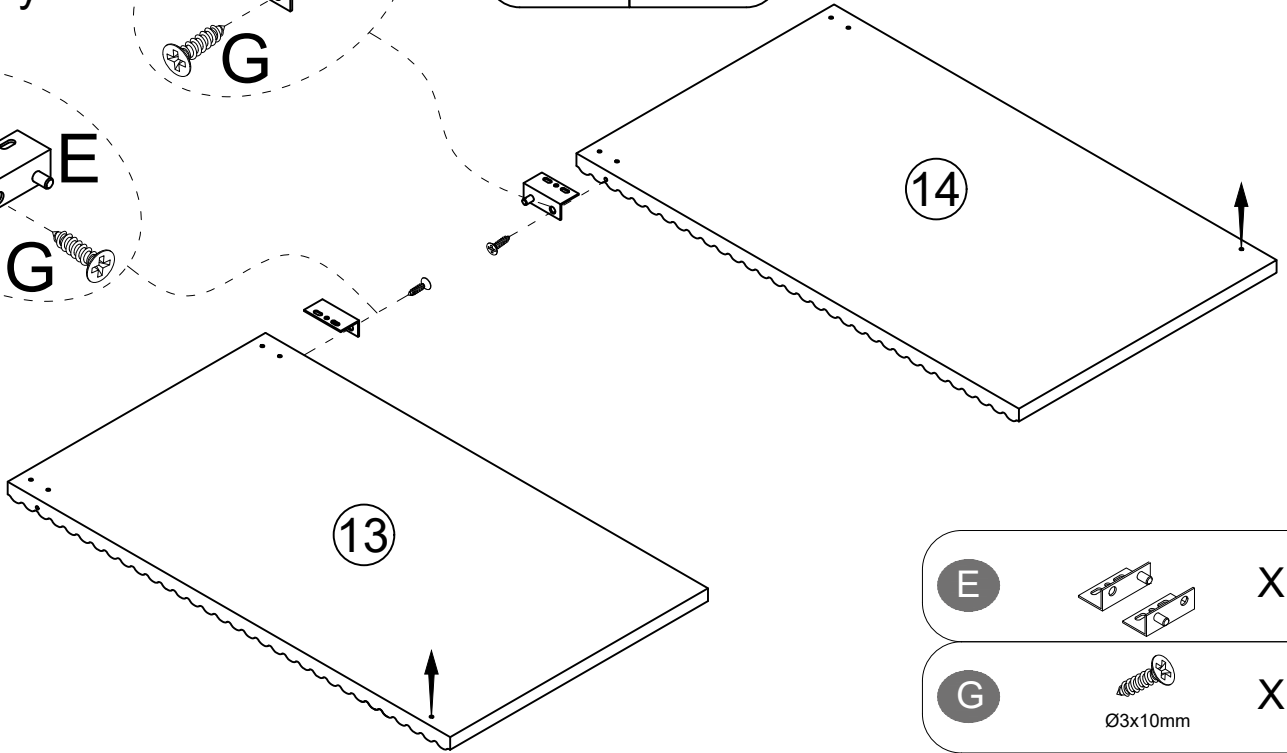
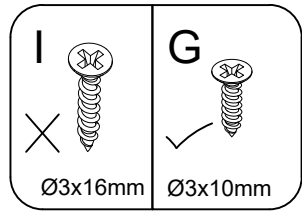
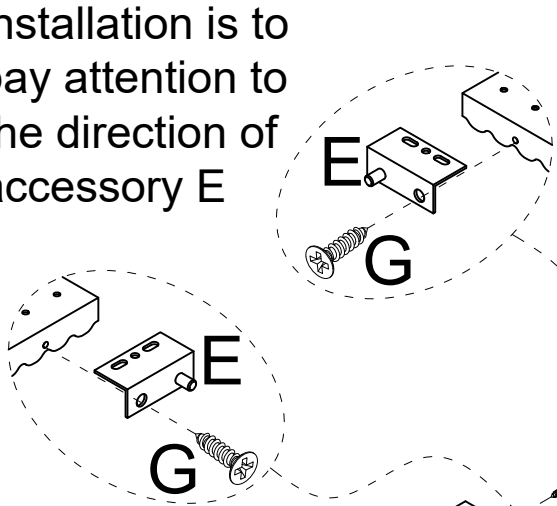
# STEP 19

When installing this step, Part **H** and plate **4** can be installed on the right side as required

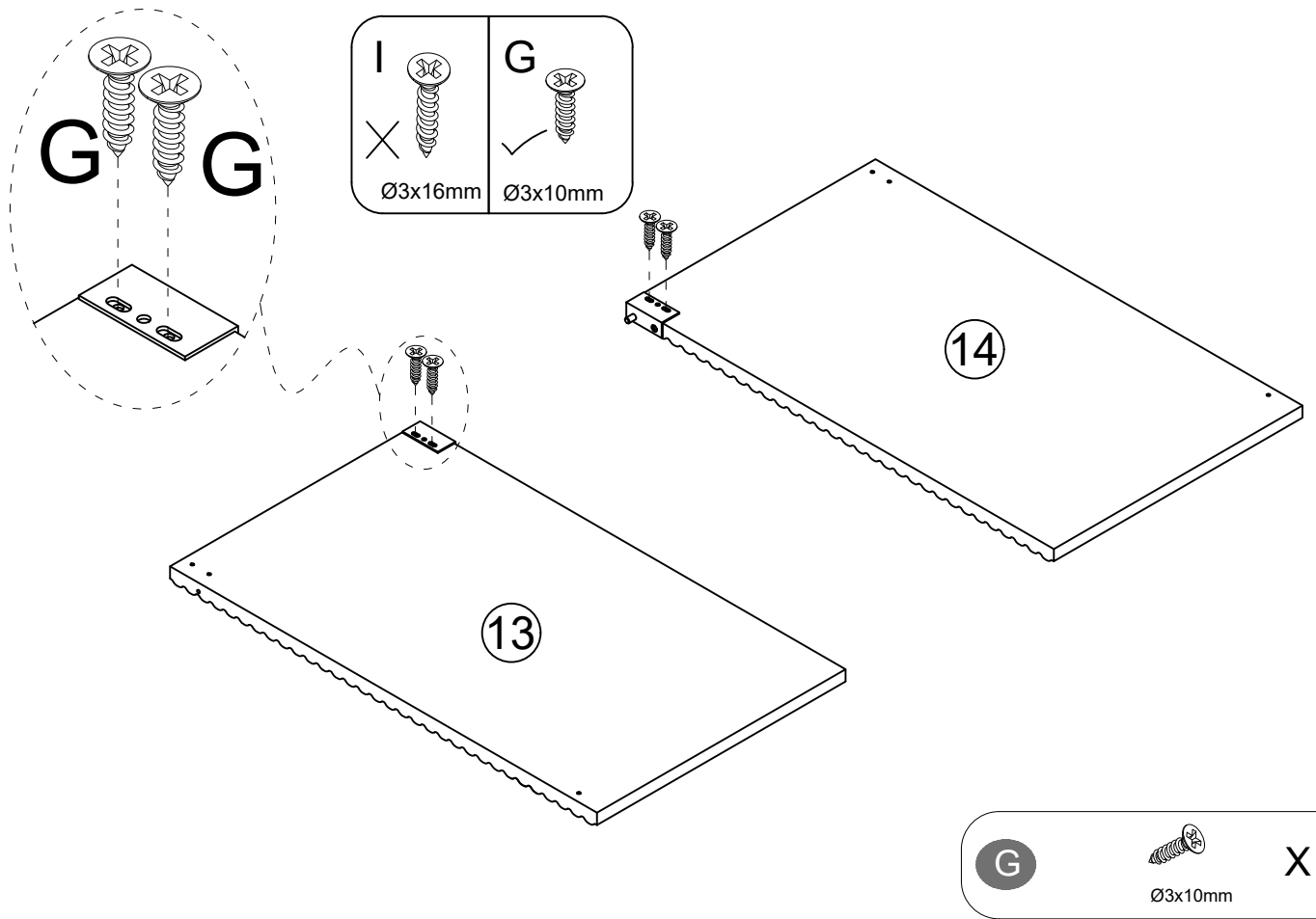


# STEP 20

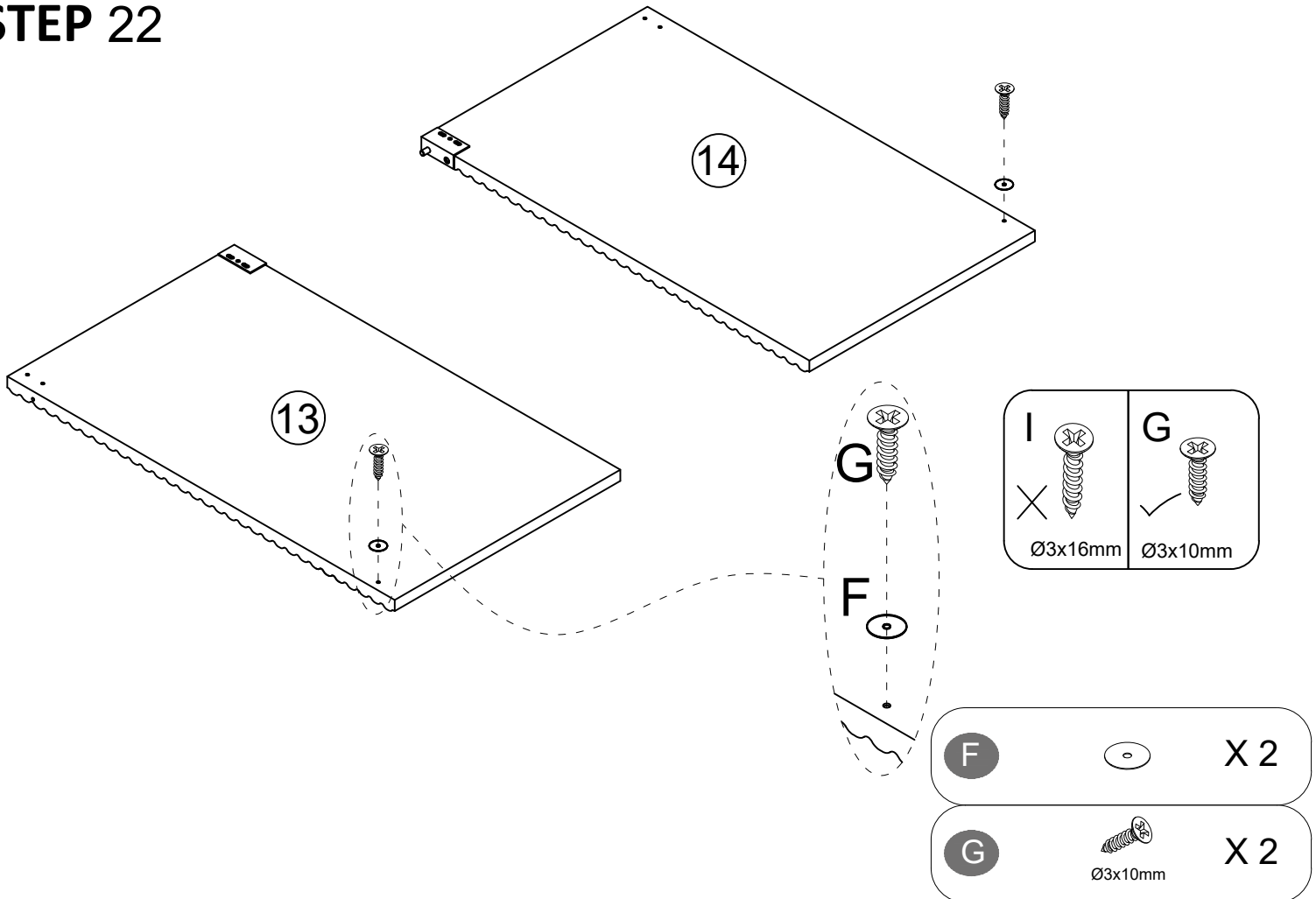
Installation is to pay attention to the direction of accessory E



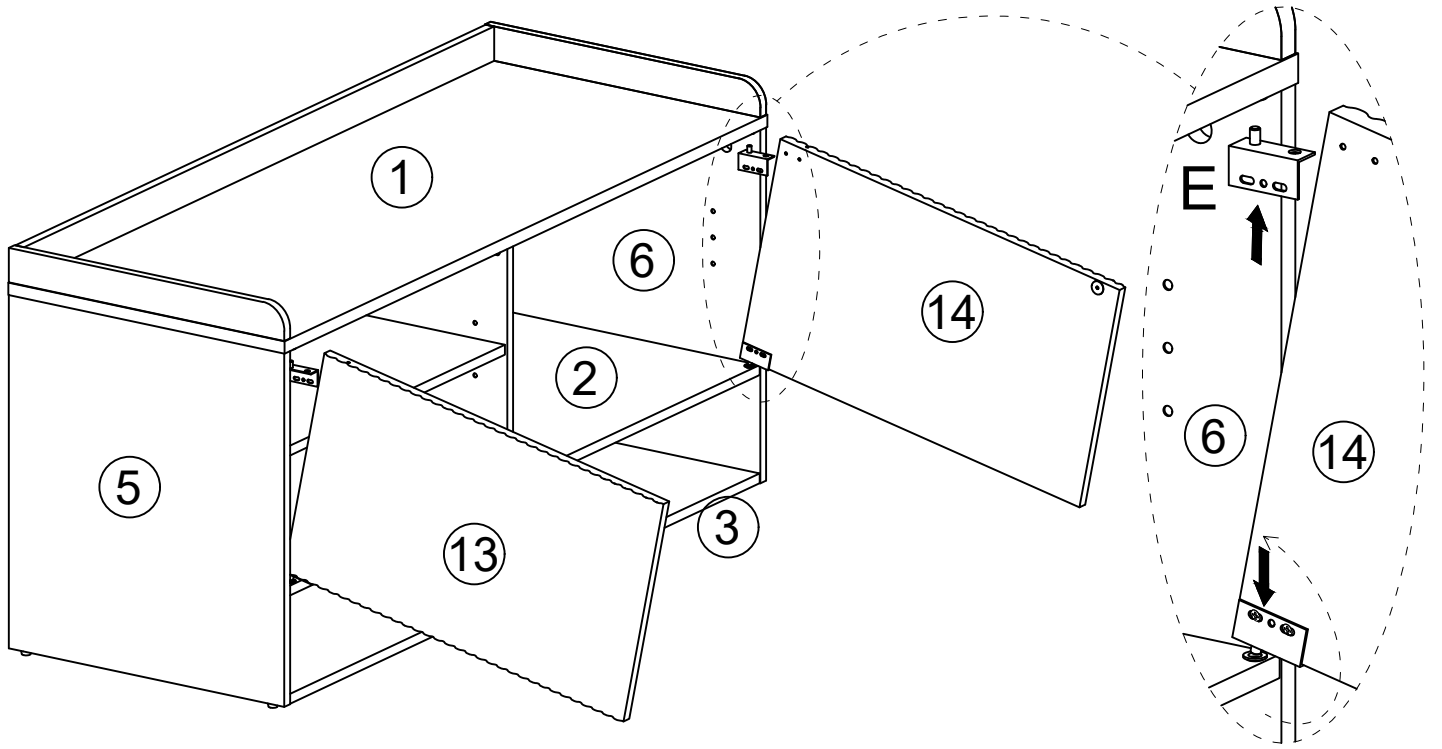
# STEP 21



# STEP 22

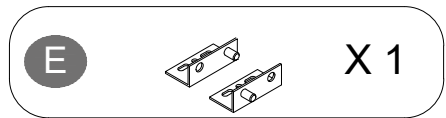


# STEP 23

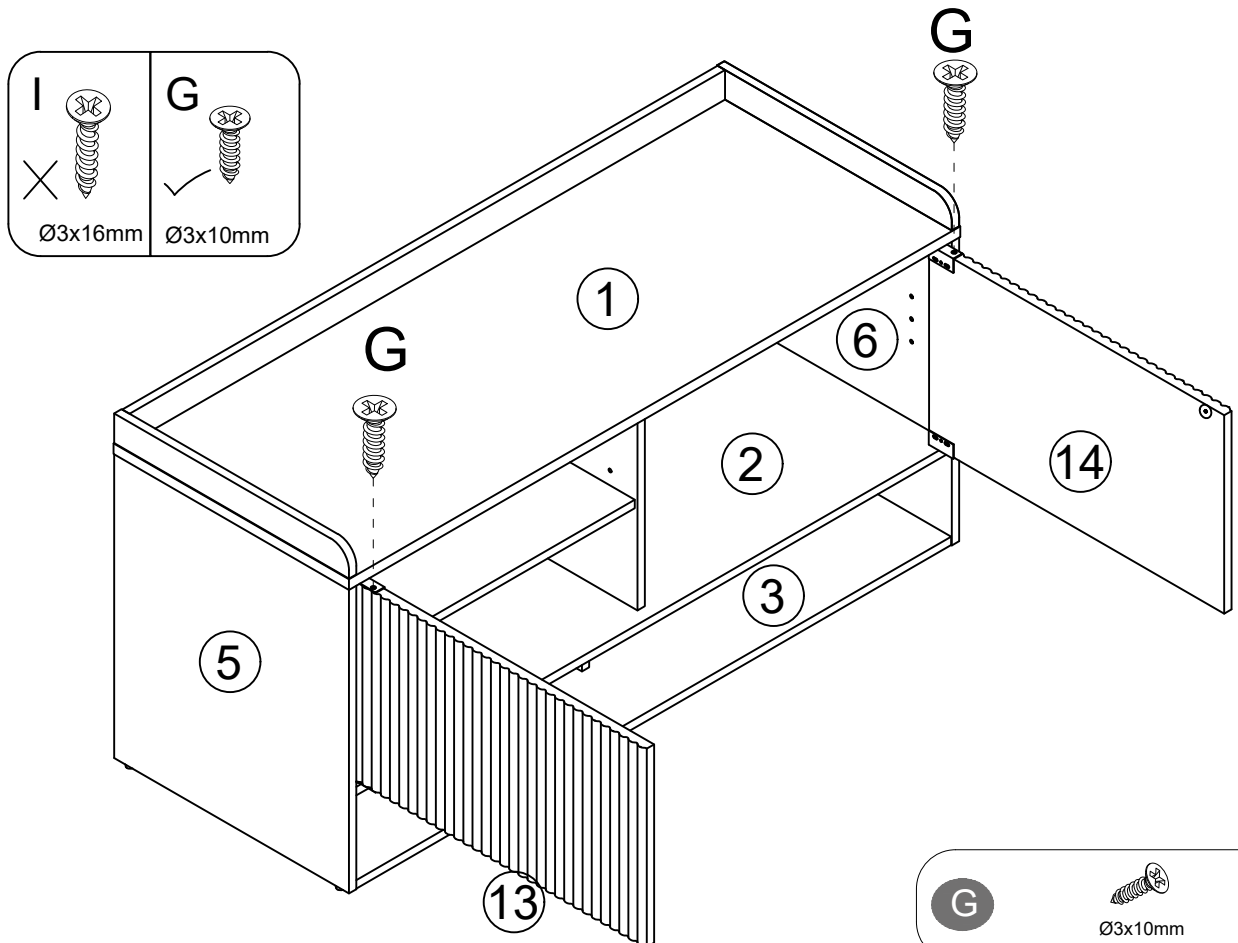


 This direction is installed at part ⑬ position

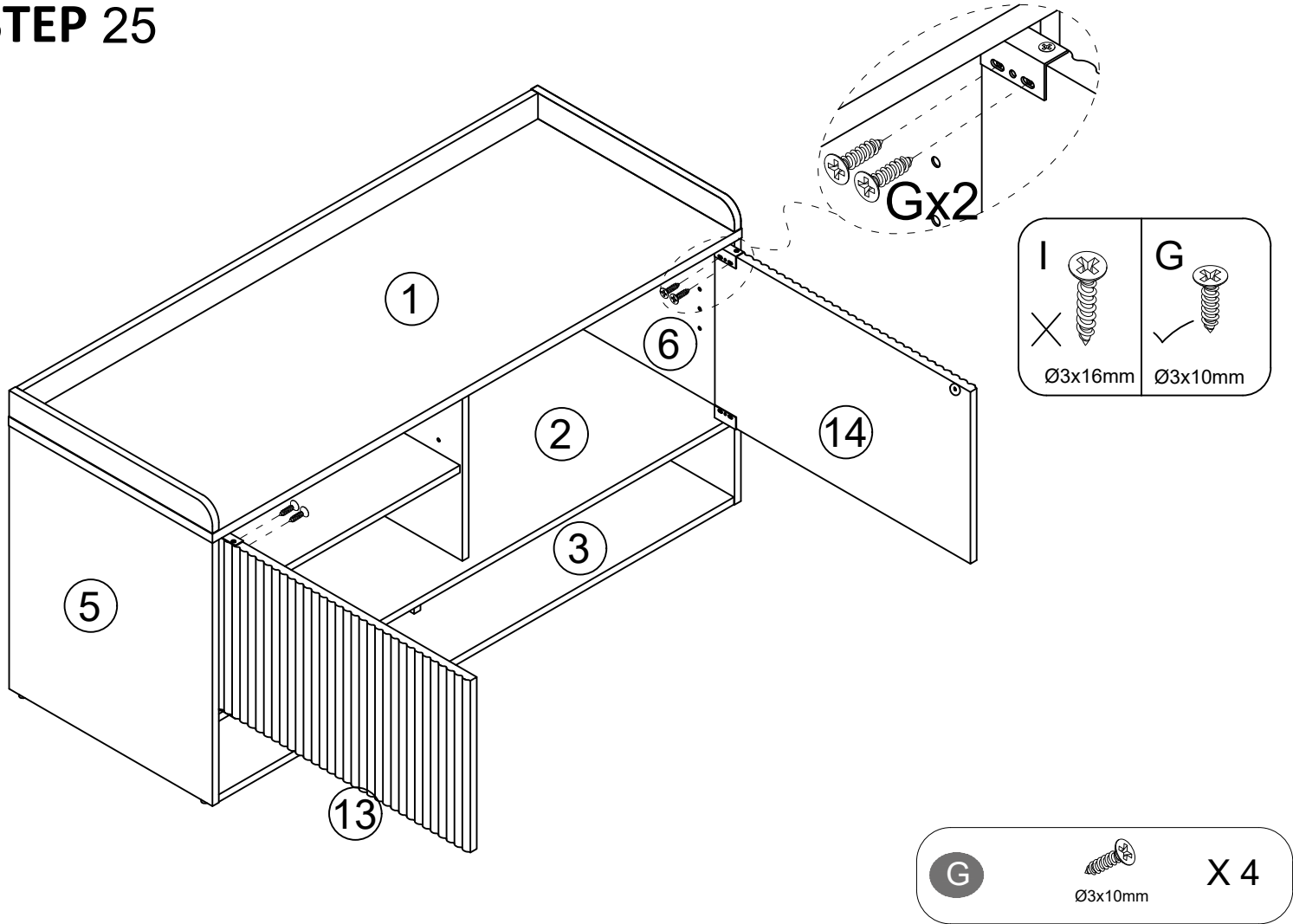
 This direction is installed at part ⑭ position



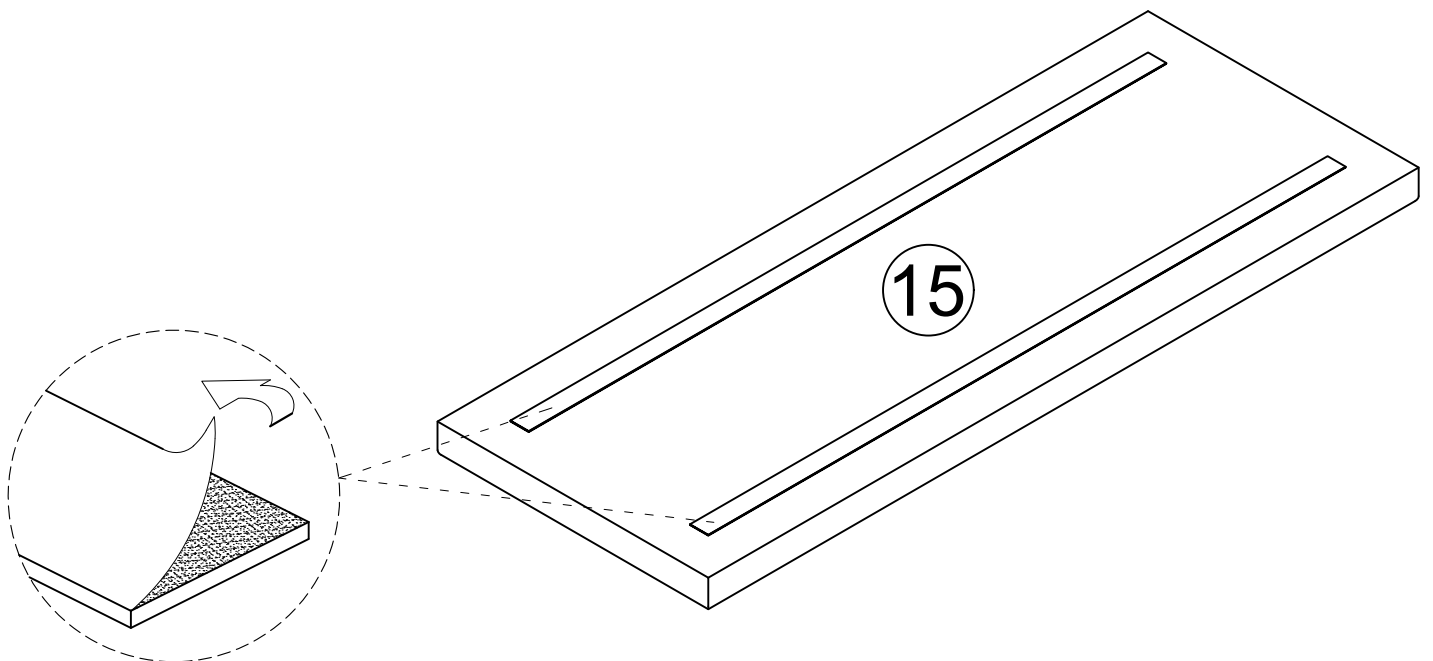
# STEP 24



# STEP 25

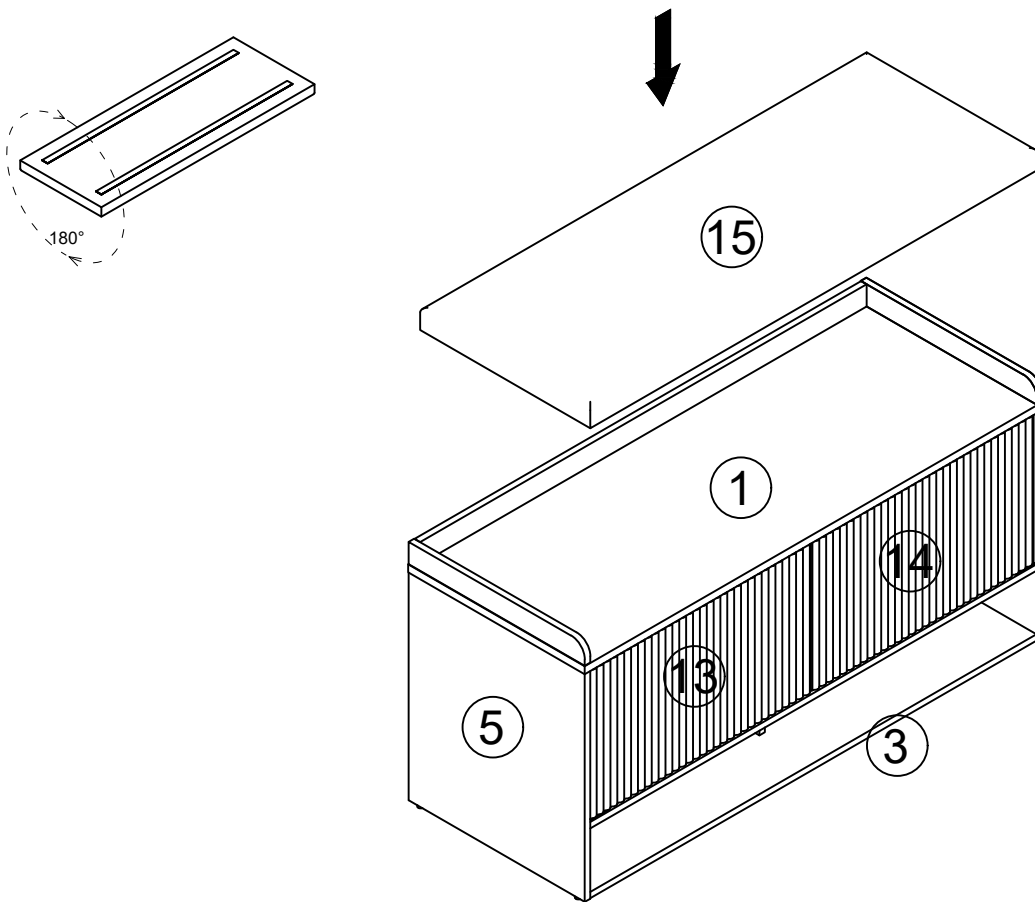


# STEP 26

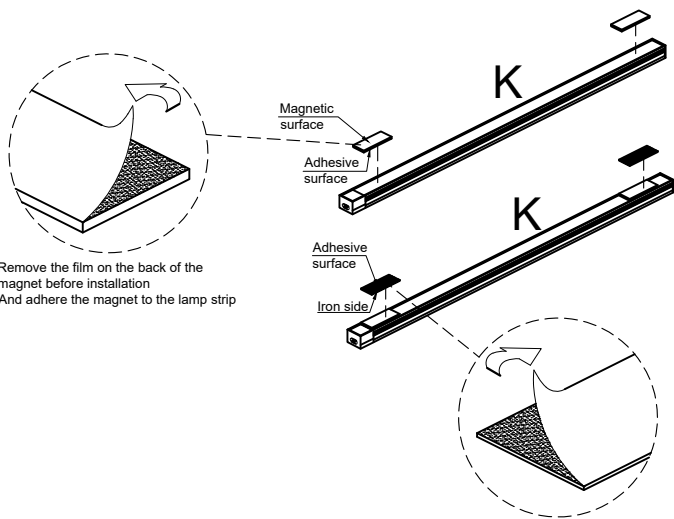
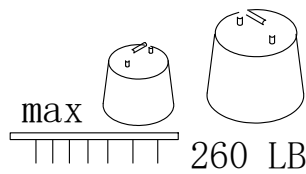


Remove the film from the surface

# STEP 27



# STEP 28



Remove the film on the back of the magnet before installation. And adhere the magnet to the lamp strip.

The film on the back of the iron sheet is removed and applied to the magnet.

