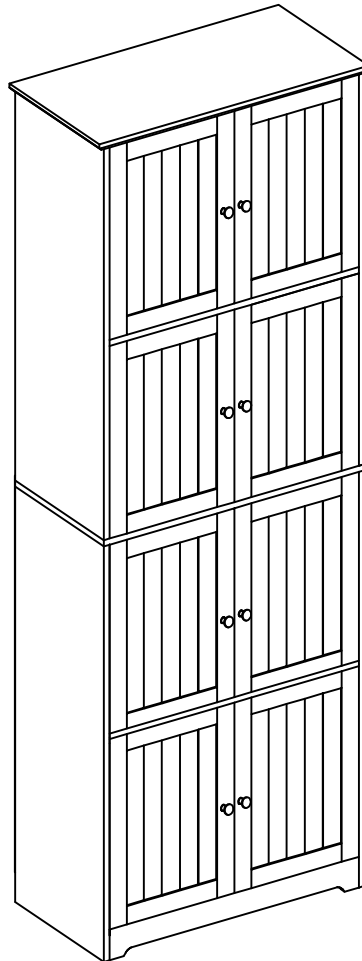


# ASSEMBLY INSTRUCTIONS

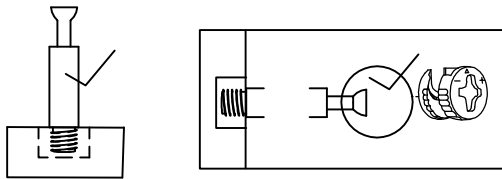
## 8 Door Cabinet



### NOTE TO CUSTOMERS:

- For ease and speed of assembly we recommend that before you commence each step of the assembly that you identify all the parts required to complete that step.
- We recommend that where possible you allow sufficient space to assemble the item as close as possible to the place where it will be once assembled.
- For the protection of your furniture we recommend that the product is placed on protected surfaces during assembly to prevent any damage.
- During assembly do not over tighten, as this may damage the product.
- Please ensure you retain all the product packaging until the item completely assembled.
- Please periodically check all fittings and re-tighten as necessary.
- Please never allow any liquids to remain on your furniture as absorption can cause the wood to warp or finish to de-laminate.
- It is recommended that this item should be assembled by two adults.

## To use a cam lock: (Please read below instructions before assembling)



1. Insert cam screw into hole as shown in diagram A .

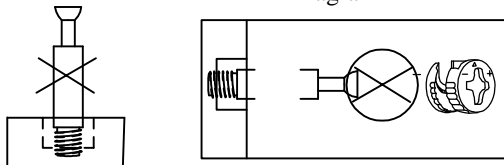


Diagram B

Make sure not to insert the cam screw:  
Too deep as shown in figure B as this will cause the  
cam screw to be misaligned and unable to  
interlock properly.

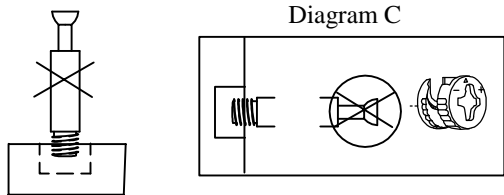
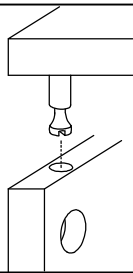
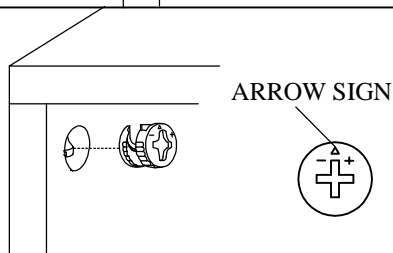


Diagram C

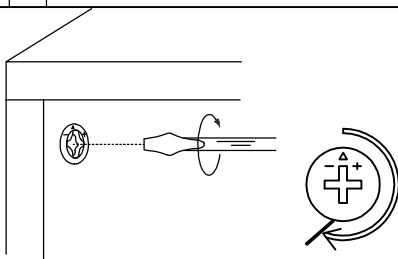
Also avoid inserting the cam screw too close to the  
surface of the hole as shown in figure C, as this will  
cause the cam lock to be too loose, and not interlock  
properly.



2. Connect the panels together.



3. When inserting the cam lock make sure the arrow  
of the cam lock faces the cam screw.



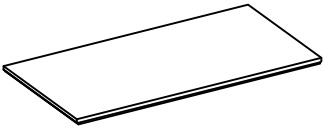
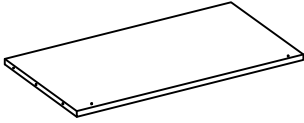
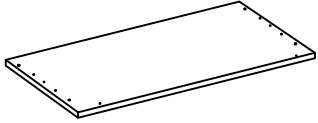
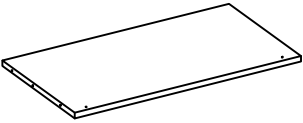

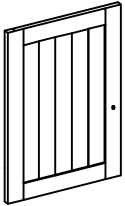
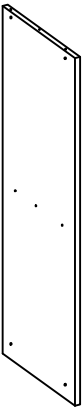
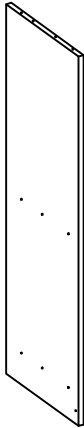
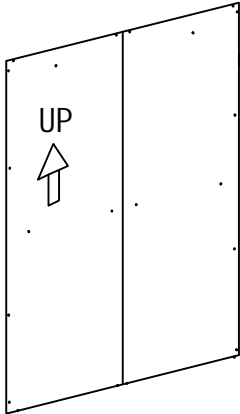
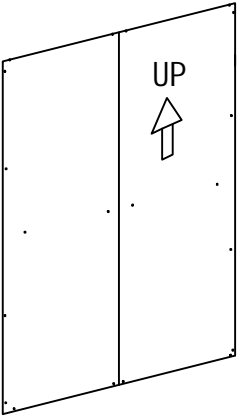

4. To tighten the cam lock turn the cam lock clockwise  
90-180 degree or until the arrow is facing opposite  
the place cam lock was inserted.

**NOTE: DO NOT USE AN AUTOMATIC  
SCREWDRIVER TO TIGHTEN CAM LOCKS.**

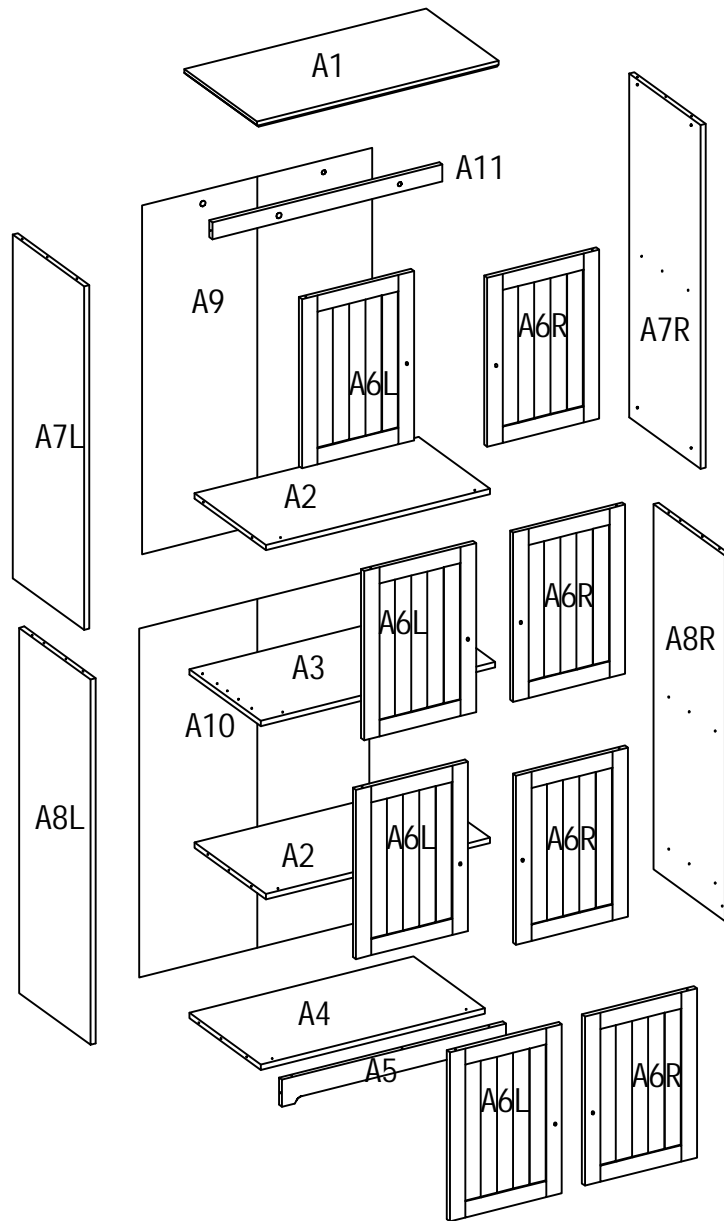
### Note:

- Read these instructions carefully before assembling.
- Tools required : Phillips screwdriver, flat screwdriver.
- Find a clean, smooth area on which to work , such as a carpet, in order to avoid scratching the wood surfaces.
- Wait to dispose of the packing material until assembly is complete and all parts and hardware are accounted for.
- Two or more people might be required for assembly.

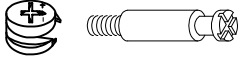




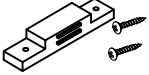


## Part list

<p>A1 Qty: 1</p>  <p>Top Panel</p>	<p>A2 Qty: 2</p>  <p>Fixed Shelf</p>	<p>A3 Qty: 1</p>  <p>Divider</p>
<p>A4 Qty: 1</p>  <p>Bottom Panel</p>	<p>A5 Qty: 1</p>  <p>Apron</p>	<p>A6(L&amp;R) Qty: 8</p>  <p>Door</p>
<p>A7(L&amp;R) Qty: 2</p>  <p>Upper Side Panel</p>	<p>A8(L&amp;R) Qty: 2</p>  <p>Lower Side Panel</p>	<p>A9 Qty: 1</p>  <p>Upper Back Panel</p>
<p>A10 Qty: 1</p>  <p>Lower Back Panel</p>	<p>A11 Qty: 1</p>  <p>Connect Bar</p>	

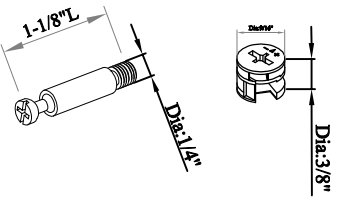
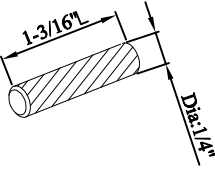
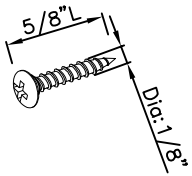
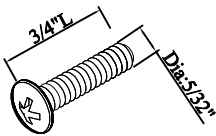
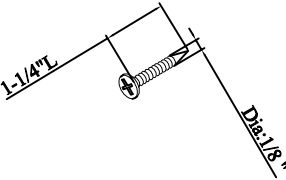
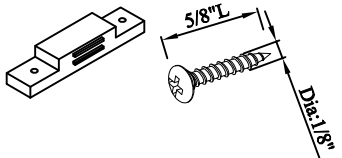
# Part list



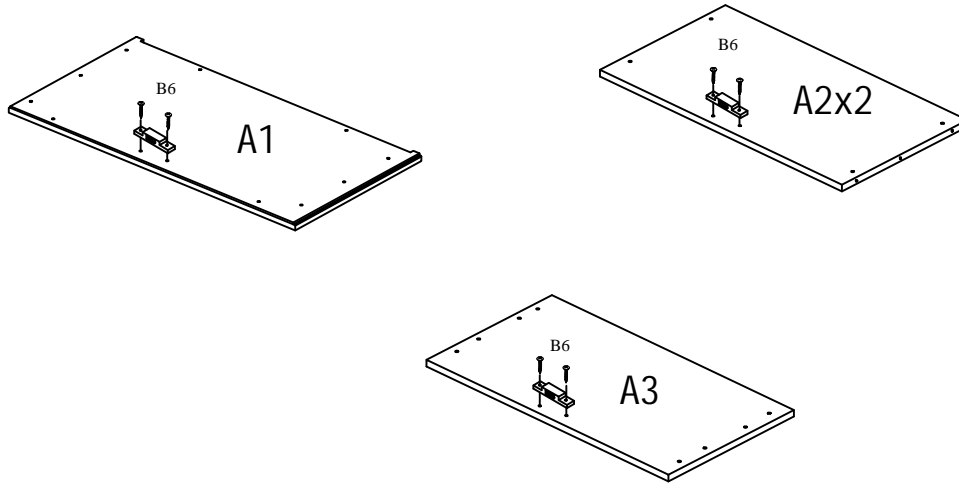
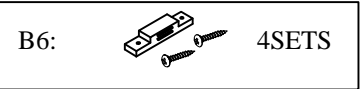
# Hardware list

B1. Cam-lock <span style="float: right;">Qty: 24</span> 	B2. Wood Dowel <span style="float: right;">Qty: 19</span> 	B3. Screw <span style="float: right;">Qty: 36</span> 
B4. Knob with bolt <span style="float: right;">Qty: 8</span> 	B5. Screw <span style="float: right;">Qty: 4</span> 	B6. Magnet with screw <span style="float: right;">Qty: 4</span> 
B7. Shelf support <span style="float: right;">Qty: 16</span> 	B8 .Wall Anchor <span style="float: right;">Qty: 2</span> 	

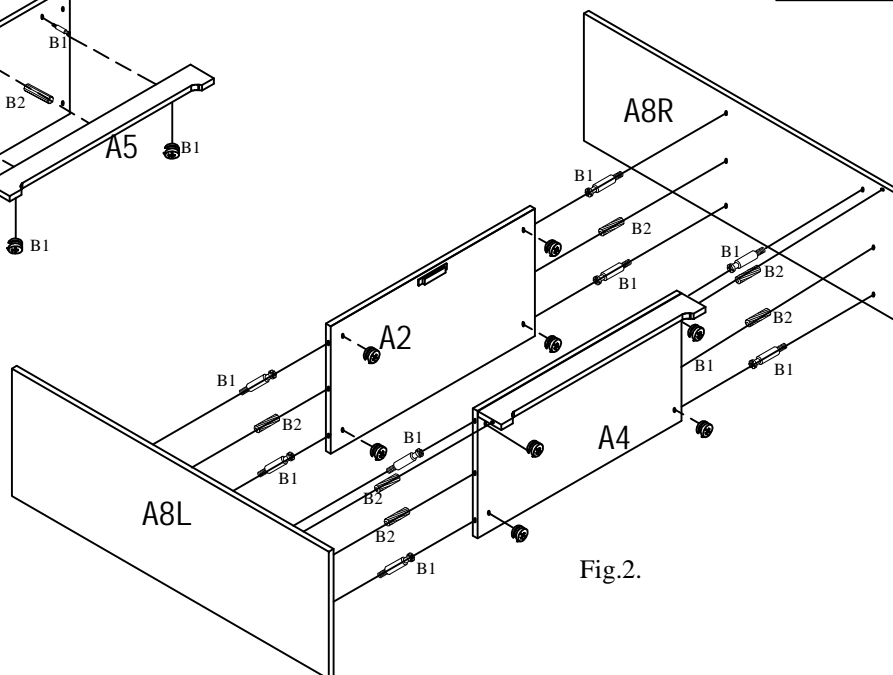
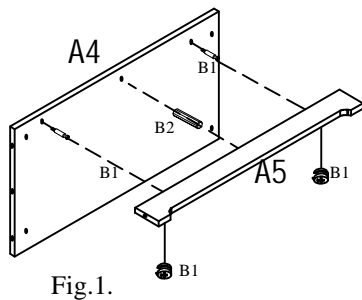
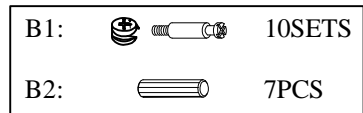
## APPENDIX: Dimension of Hardware in this AI.

B1  <p style="margin-top: 10px;"> <span style="display: inline-block; width: 100px; text-align: center;">Cam-Bolt</span> <span style="display: inline-block; width: 100px; text-align: center;">Cam-Lock</span> </p>	B2  <p style="margin-top: 10px; text-align: center;">Wood Dowel</p>	B3  <p style="margin-top: 10px; text-align: center;">Screw</p>
B4  <p style="margin-top: 10px;">Knob with bolt</p>	B5  <p style="margin-top: 10px; text-align: center;">Screw</p>	B6  <p style="margin-top: 10px; text-align: center;">Magnet with screw</p>



# Assembly instructions

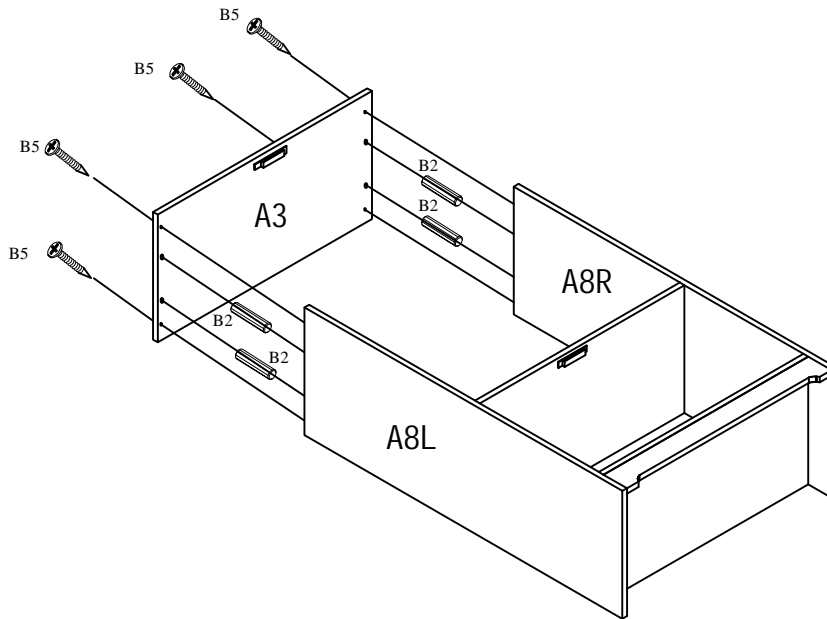


Step1: Attach Magnets B6 to the bottom of the top panel A1, fixed shelves A2 and Divider A3 using included screws as shown above.(Holes are pre-drilled.)





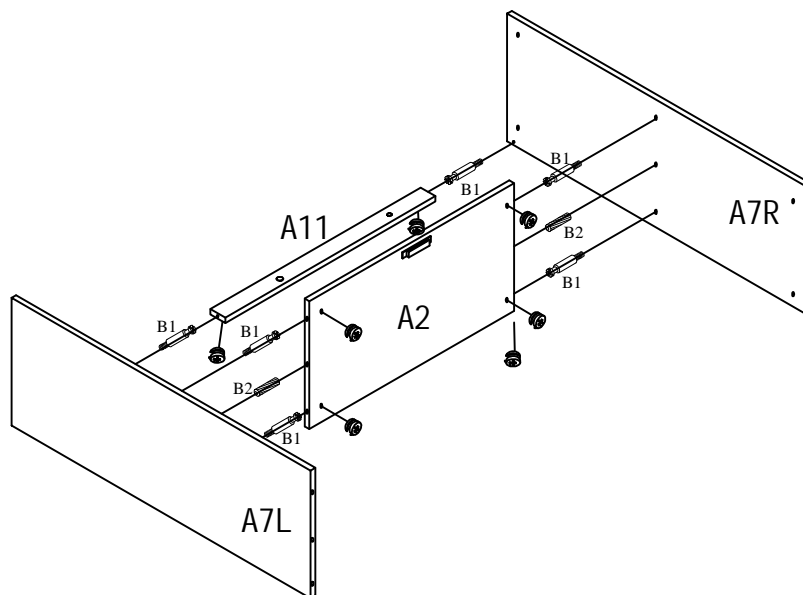
Step 2: Assemble Apron A5 to Bottom Panel A4 using Cam-locks B1 and Wood Dowel B2, refer to Fig.1.  
 Step 3: Assemble Lower Side Panels A8 L& R to Shelf A2 and Bottom Panel A4, Apron A5 using Cam-locks B1 and Wood Dowels B2, refer Fig.2.

B5:		4PCS
B2:		4PCS





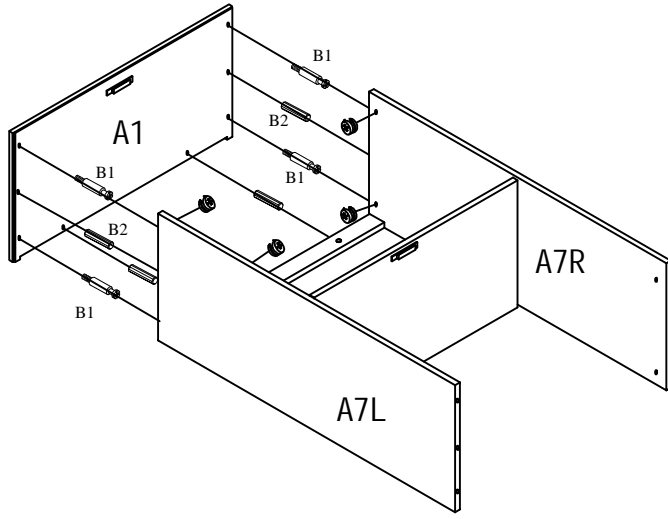
Step 4: Assemble Divider A3 to Lower Side Panels A8L&A8R using Screws B5 and Wood Dowels B2 as shown above.

B1:		6SETS
B2:		2PCS





Step 5: Assemble Upper Side Panels A7L&A7R to Fixed Shelf A2 and Connect Bar A11 using Wood Dowels B2 and Cam-locks B1 as shown above.

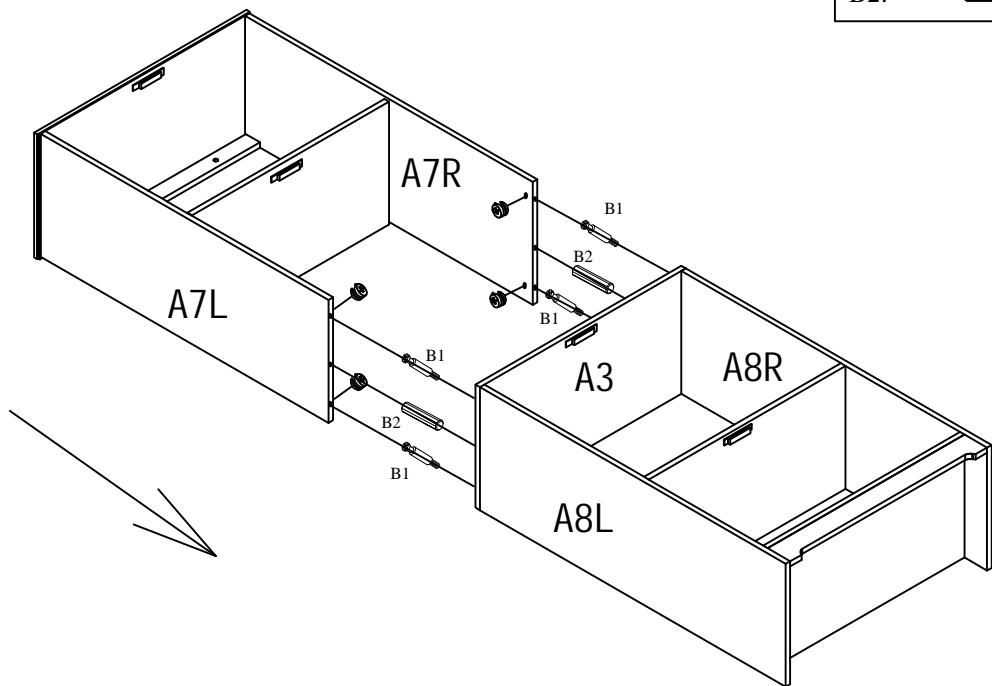
B1:		4SETS
B2:		4PCS



Step 6: Assemble Top Panel A1 to Upper Side Panels A7L&A7R and Connect Bar A11 using Cam-locks B1 and Wood Dowels B2 as shown above.

STEP6:

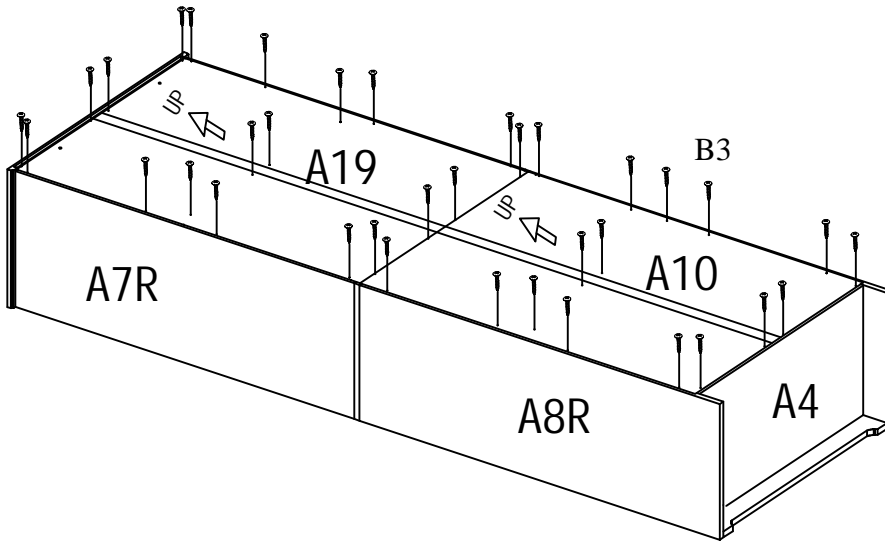
B1:		4SETS
B2:		2PCS



Step 7: Assemble Upper Side Panels A7L & A7R to Divider A3 using Cam-locks B1 and Wood Dowels B2 as shown above.




STEP7:

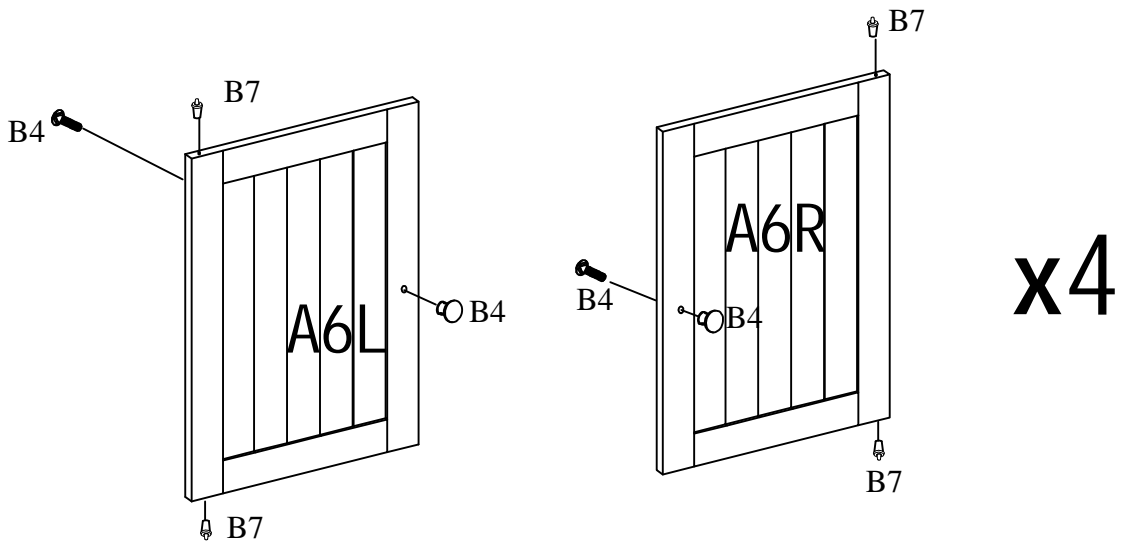
B3:		36PCS
-----	---	-------



Step 8: Assemble Back Panels A9 & A10 to Upper Side Panels A7L & A7R ,Lower Back Panels A8L& A8R, Fixed Shelves A2 , Divider A3 and Bottom Panel A4 using Screws B3 as shown above.

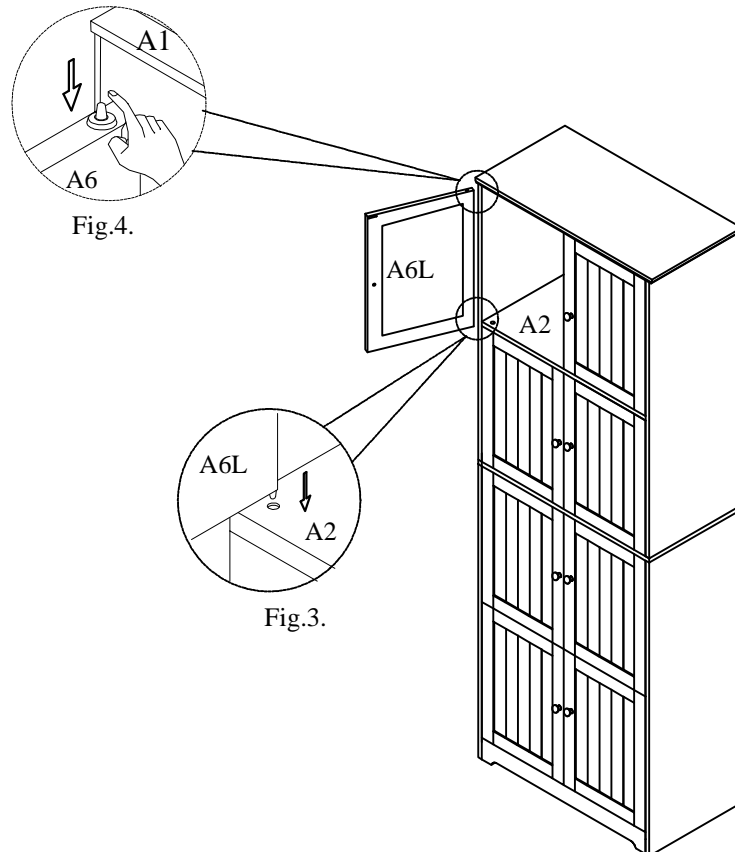
STEP8:

B4:	 	8SETS
B7:		16pcs

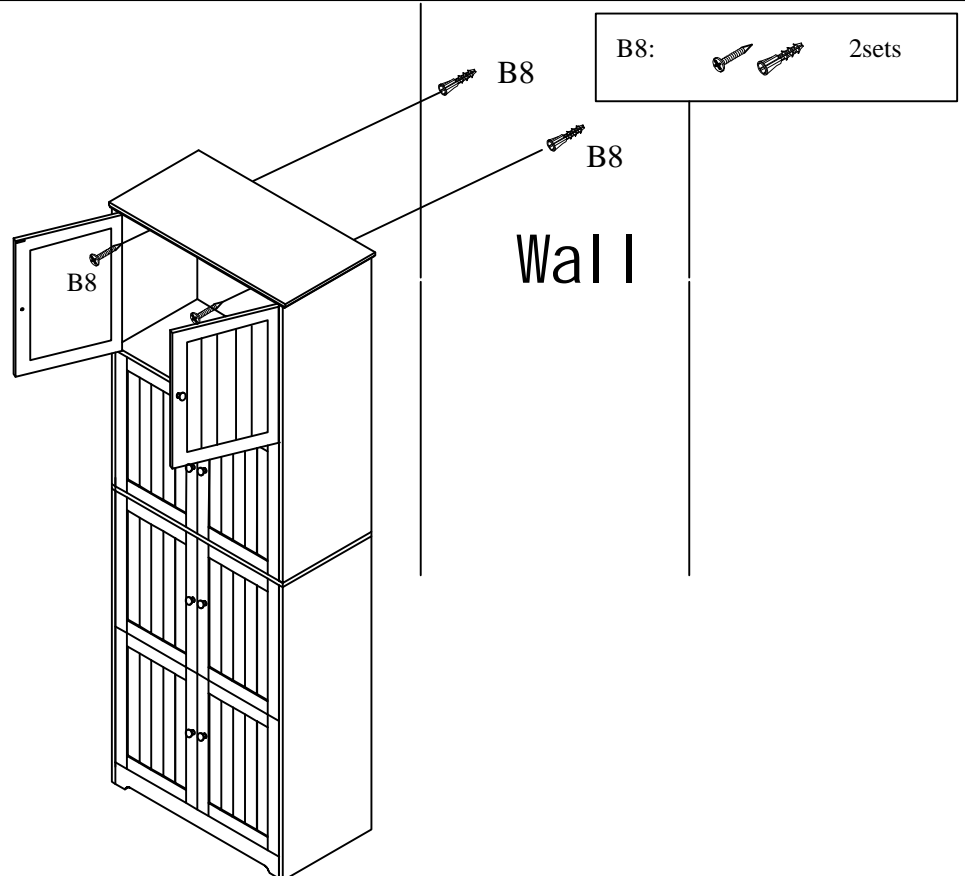


Step 9: Attach Door Knob B4 to Doors A6 L&R using included bolts as shown above.  
Step 10: Insert Door Pin B7 into the hole on both end of Doors A6 L& R as shown above.

STEP9:



Step 11: Connect Door A6L to the fixed shelf A2 see Fig.3. Press the Upper Pin on Door A6L see Fig.4. and insert Door A6L carefully into the cabinet with the upper pin popping up into the hole of top panel A1.  
Step 12: Repeat step 11 to assemble the rest of doors.



Step 13 : For your safety, please attached this unit to the wall by Wall Anchor with screws B8 as shown above.