

TOWER®

over 100 YEARS of quality

MODEL: T513011

VL70FLEXI **CORDLESS 3 IN 1 VACUUM CLEANER**



USER MANUAL



GREAT BRITISH DESIGN, INNOVATION AND EXCELLENCE **SINCE 1912**

TABLE OF CONTENTS

THIS BOX CONTAINS	3
SPECIFICATIONS	3
IMPORTANT SAFETY INFORMATION	4
• Key safety points	4
• General safety	4
• Whilst using the vacuum	5
• Power adapters	5
STRUCTURE OF YOUR APPLIANCE	6
• Features & functions	6
BEFORE FIRST USE	7
• Setting up	7
• Charging the unit	7
• Turning the appliance ON/OFF and speed selection	7
• Using the extension pole	7
• Using the accessories	8
• Installing the wall mount	8
CLEANING AND CARE	9
TROUBLESHOOTING	10
DISPOSAL OF THE UNIT	11
CUSTOMER SUPPORT	11

THIS BOX CONTAINS

- Instruction manual
- 3-in-1 vacuum cleaner
- Battery pack
- AC adaptor
- Filter
- Bristle brush
- 2 in 1 Brush and Crevice Tool
- Wall mounting kit



SPECIFICATIONS

RATED VOLTAGE	AC 100 - 240V
FREQUENCY	50/60Hz
POWER CONSUMPTION	150W
CHARGING TIME	Approx 4. Hours
RUN TIME	Approx 30. Minutes
DIMENSIONS (CM)	H: 1080 x W: 240 x D: 113mm
WEIGHT	

IMPORTANT SAFETY INFORMATION

Please read these safety **NOTES** carefully **BEFORE** using your Tower appliance.

These warnings have been provided in the interest of safety. Basic safety precautions should always be followed including the following:

KEY SAFETY POINTS

This product is fitted with a thermal cut-out, which will activate if the motor overheats due to blocked air inlets. If the appliance cuts out, allow it to cool for 1 hour, then empty the dust container and clean all of the filters.

- **DO NOT** use the appliance without the dust container filter in place.
- Use extra care when cleaning on stairs.

GENERAL SAFETY

- **DO NOT** immerse cords, plugs, kettle base, kettle or any part of the appliance in water or any other liquid.
- Close supervision is necessary when any appliance is used by or near children.
- Children should not play with the appliance.
- This appliance can be used by children aged from 8 years and above and persons with reduced physical, sensory or mental capabilities or lack of experience and knowledge if they have been given supervision or instruction concerning use of the appliance in a safe way and understand the hazards involved.

- Cleaning and user maintenance should not be undertaken by children without supervision.
- Take care when any appliance is used near pets.
- If the supply cord or appliance is damaged, stop using the appliance immediately and seek advice from the manufacturer, its service agent or a similarly qualified person.
- Switch off and unplug before fitting or removing tools/ attachments, once charged and before cleaning.
- The use of accessory attachments is not recommended by the appliance manufacturer apart from those supplied with this product.
- **CAUTION:** Ensure that the vacuum is switched off before removing it from its base.
- This appliance is for household use only.
- **DO NOT** use the appliance outdoors.
- **DO NOT** use this appliance for anything other than its intended use.
- This appliance is intended to be used in household and similar applications such as: Staff kitchen areas in shops, offices and other working environments; by clients in hotels, motels and other residential type environments; farm houses; bed and breakfast type environments.

It is important that this instruction manual is retained for future reference.

If the appliance is given to someone else, it should always be accompanied by these operating instructions, as they form an integral part of the appliance.

WHILST USING THE VACUUM

- Not suitable for carpets with long fibres as the bristles will damage the fibres.
- Keep the vacuum cleaner moving over the carpet surface at all times to avoid damaging the carpet fibres.
- **DO NOT** handle the appliance or plug with wet hands.
- Keep hair, loose clothing, fingers and all body parts away from moving parts.
- **DO NOT** pick up anything that is burning or smoking such as cigarettes, matches or hot ashes.
- **DO NOT** vacuum any large, sharp, or broken objects, such as pieces of glass.
- **DO NOT** vacuum water or any other liquid.

POWER ADAPTERS

WARNING! NEVER attempt to open any part of the power adaptor or plug as you risk getting an electric shock.

Only use the power adapter that is supplied with your product.

You must always connect the power adapter to the product before connecting to the mains power supply.

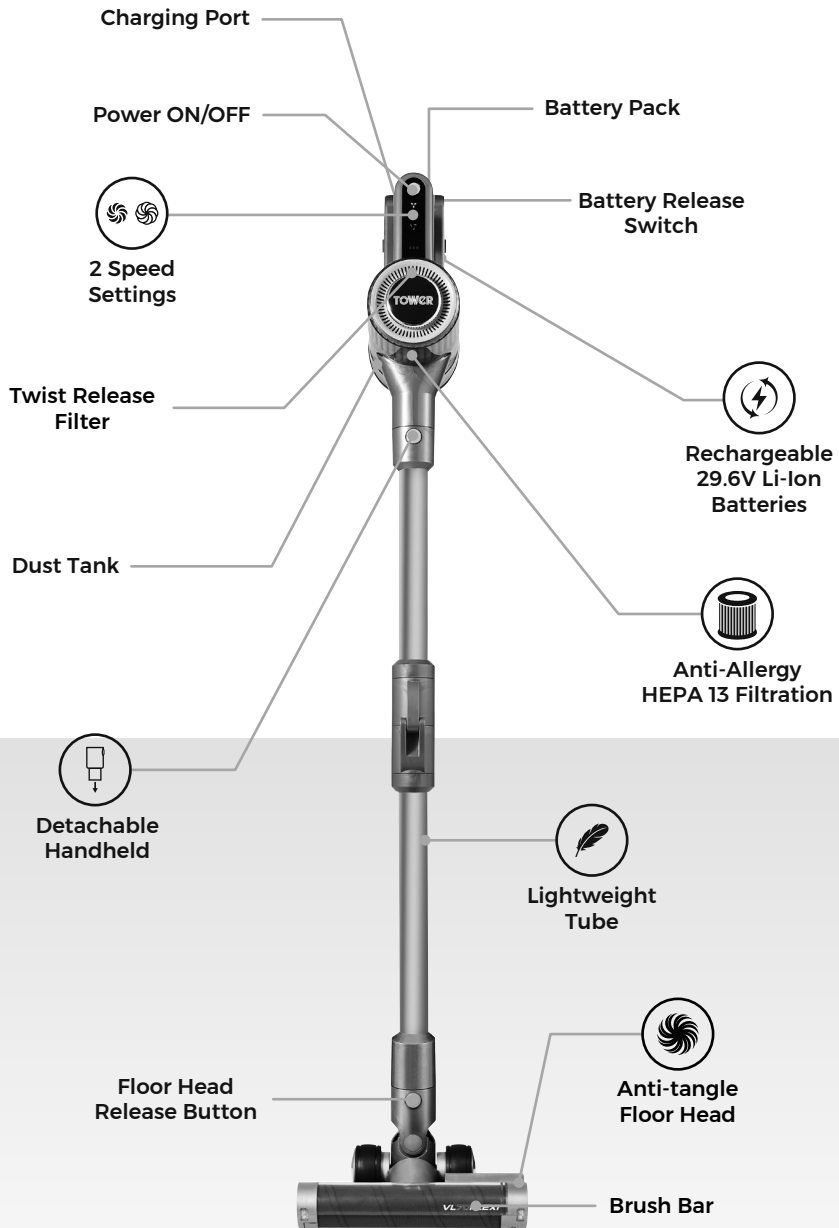
The power adapter must be used indoors only, and must not be subjected to damp conditions.

The power adapter does not have any user serviceable parts.

If in doubt, consult a qualified electrician who will be pleased to do this for you.

If you need to remove the plug, disconnect it from the mains and then cut it off of the mains lead and immediately dispose of it in a safe manner. Never attempt to reuse the plug or insert it into a socket outlet, as there is a danger of an electric shock.

STRUCTURE OF YOUR APPLIANCE



BEFORE FIRST USE

SETTING UP

1. Remove your appliance from the packaging.
2. Check that there is no visible damage to the body.
3. Check that all listed parts are present.
4. Remove any stickers or labels from the appliance. **DO NOT** remove any warnings.
5. Dispose of the packaging in a responsible manner.
6. Charge the rechargeable battery.

CHARGING THE UNIT

1. This unit can be charged directly from the mains using the included mains adaptor.
2. Connect the adaptor's jack to the unit's charging port and plug the other end into an active mains socket, ensuring the socket switch is turned to the ON position.
3. During charging the 3 LED indicators illuminate incrementally. The unit is fully charged when all the lights are illuminated.
4. To disconnect the battery from the unit, press the battery release switch and slide the battery up and away from the unit.
5. To replace the battery, slide it back in to place until there is an audible click.

TURNING THE APPLIANCE ON/OFF AND SPEED SELECTION

1. Once the appliance is fully charged, press the On/Off/Speed Selection button located on the handle to turn the unit on. The unit will operate at the low speed setting.
2. Press the ON/OFF/Speed Selection button again while the unit is in operation to select the turbo speed setting.
3. Press the ON/OFF/Speed Selection button again while operating at the turbo speed setting to turn the unit off.

USING THE EXTENSION POLE

1. To connect the pole to the vacuum cleaner, push it into the corresponding slot on the main body of the unit until it locks into place.
2. To remove the extension pole and use the vacuum cleaner as a handheld cleaner, press the extension pole release button on the main body of the unit and pull the pole away.

CONNECTING AN ACCESSORY TO THE EXTENSION POLE

Attach the accessory to the end of the extension pole. Ensure the accessory clicks in to place and is firmly connected before turning on the appliance, to prevent it from falling off whilst in use.

CONNECTING AN ACCESSORY TO THE HANDHELD UNIT

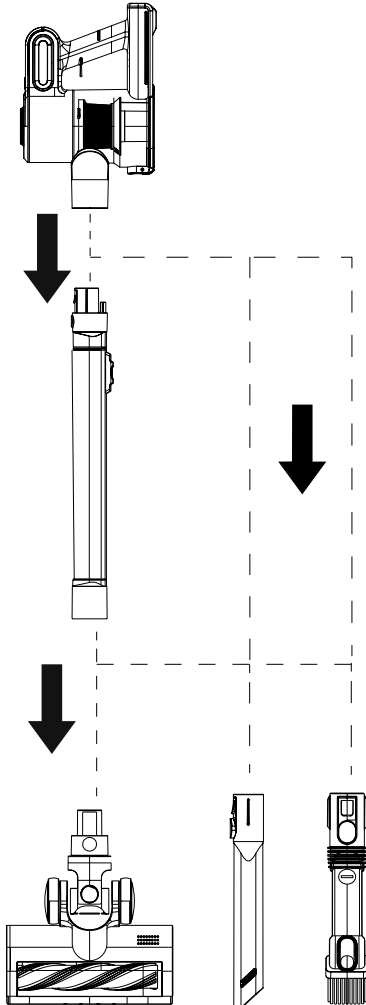
Attach the accessory to the slot at the front of the main body of the unit until it clicks into place.

REMOVING ACCESSORIES

To remove an accessory, press the release button on the accessory tool and pull it away from the extension pole or main unit.

USING THE ACCESSORIES

This vacuum cleaner comes with a 2 in 1 Brush and Crevice tool and a Crevice Nozzle for vacuuming corners and cleaning delicate surfaces.



NOTE: Keep the brush free of fibres, hairs, and other objects that could impede proper functioning. Always remove these types of objects when the brush picks them up.

INSTALLING THE WALL MOUNT

1. To wall-mount the appliance, begin by affixing the included wall mount to the wall. To do this, begin by choosing an adequate position and height, roughly one metre above the ground, and mark it on the wall with a pencil, as shown in Figure 1.



2. Hold the wall bracket level to the marking and mark the position of the two screw holes through the bracket, as shown in Figure 2.



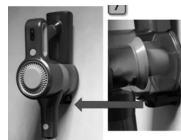
3. Remove the wall bracket from the wall and drill two holes over the pencil markings with a 6mm masonry drill (not included).

4. Once the two holes have been appropriately drilled, insert one of the included wall plugs into each hole. Ensure each wall plug is firmly secured into place before proceeding.

5. When both wall plugs have been securely fitted, place the wall bracket over them and use the included screws to affix it to the wall, as shown on Figure 3. Ensure the wall bracket is firmly secured into place before proceeding.



6. Your appliance can now be wall-mounted, as shown in Figure 4.



CLEANING AND CARE

EMPTYING THE DUST TANK

Hold the unit over a bin and press the dust tank quick release button. Empty the contents of the dust tank. Once empty, push the cover back into place until there is an audible click.

CLEANING THE FILTER

1. Press the filter release button to open the filter housing.
2. Remove the filter from the dust tank.
3. To clean the filter, rinse it under running water and leave it to dry thoroughly.

WARNING! The filter is NOT washing machine safe. DO NOT place the filter into the washing machine.

NOTE: Allow the filter to dry for a period of at least 24 hours before placing it back into the unit. DO NOT use a hair dryer to dry the filter. Air-dry only.

4. Once the filter is thoroughly dry, place it back into its corresponding slot inside the dust tank. Ensure the filter is firmly secured into place before attempting to use the vacuum.

CAUTION! DO NOT use the vacuum cleaner without the filter in place.

NOTE: If the filter appears damaged or is not performing correctly, it should be replaced. It is recommended to replace the filter approximately every three months.

CLEANING THE UNIT BODY

1. Before cleaning the unit body, ensure the unit is disconnected from the mains supply and not in operation.
2. Use a damp cloth to clean the unit body. Never use any abrasive cleaning materials or solvents, as these could cause damage to the surface of the unit.

WARNING! DO NOT allow any liquids into the unit, as this could cause damage to the electrical components and cause it to malfunction.

CLEANING THE ANTI TANGLE BRUSH BAR

1. Unscrew the brush bar cap on the side of the floorhead.
2. Pull the bar out from within the floorhead.
3. Remove fluff, hairs and other residues from the brush, then fit it back into place.
4. Once the brush bar has been securely fitted into place, screw the brush bar cap back onto the main body of the floorhead to lock it into place. Ensure the bar is firmly secured into place before attempting to use the unit.

CLEARING BLOCKAGES

If the dust tank is overfilled, the filter is clogged up, or the vacuum picks up a larger piece of debris, the vacuum may become clogged.

Should this occur, carry out the following steps to unclog the vacuum:

1. Check the dust tank and empty it if necessary.
2. Check the filter for any debris and rinse it under running water if necessary, as detailed in the sections above.
3. Detach any attachments from the unit and check for blockages.

STORING THE APPLIANCE

1. Store the appliance in a cool, dry place, preferably inside its original packaging, and out of the reach of children.

TROUBLESHOOTING

PROBLEM	POSSIBLE CAUSE	POSSIBLE SOLUTION
The vacuum will not work.	The battery is low.	Ensure the vacuum cleaner is fully charged.
	Blockage to the dust tank or filter.	Check that there are no blockages to the dust tank or filter and remove as necessary.
	The motor protective thermostat has kicked in.	Allow the unit to cool for 1 hour, then empty the dust tank and clean all of the filters.
The vacuum will not pick-up or the suction power is weak.	The dust container is full or the filter needs cleaning.	Empty the dust container and clean the filter.
	Potential blockages in the dust tank or filter.	Check for blockages and clean the filter and dust tank.
Dust is escaping from the vacuum.	The filter may be installed incorrectly.	Ensure the filter is correctly installed inside the unit.
	dust container may be full.	Empty the dust container and reassemble the filter system.
There is a strange noise coming from the vacuum.	The airflow may be restricted or blocked.	Check for blockages and clean the filter and pole.

DISPOSAL OF THE UNIT

Appliances bearing the symbol shown here may not be disposed of in domestic rubbish. You are required to dispose of old electrical and electronic appliances like this separately.

Please visit www.recycle-more.co.uk or www.recyclenow.co.uk for access to information about the recycling of electrical items.

Please visit www.weeeireland.ie for access to information about the recycling of electrical items purchased in Ireland.

The WEEE directive, introduced in August 2006, states that all electrical items must be recycled, rather than taken to landfill.

Please arrange to take this appliance to your local Civic Amenity site for recycling, once it has reached the end of its life.



SPARE PARTS / CUSTOMER SUPPORT

If you have any questions or concerns about your new product, please contact our helpful Customer Support Team:

Spare part replacements and accessories are available to purchase via:



+44 (0) 333 220 6066



www.towerhousewares.co.uk

Please have your Model No. available. This can be found on the front cover of this instruction manual and on the appliance's rating label.

TOWER®

over 100 YEARS of quality

thank you!

We hope you enjoy your appliance for many years...

This product is guaranteed for 12 months from the date of original purchase.

If any defect arises due to faulty materials of workmanship, the faulty products must be returned to the place of purchase.

Refund or replacement is at the discretion of the retailer.

THE FOLLOWING CONDITIONS APPLY:

The product must be returned to the retailer with proof of purchase or a receipt.

The product must be installed and used in accordance with the instructions contained in this instruction guide.

It must be used only for domestic purposes.

It does not cover wear and tear, damage, misuse or consumable parts.

Tower has limited liability for incidental or consequential loss or damage.

This guarantee is valid in the UK and Eire only.

The standard one year guarantee is only extended to the maximum available for each particular product upon registration of the product within

28 days of purchase. If you do not register the product with us within the 28 day period, your product is guaranteed for 1 year only.

To validate your extended warranty, please visit www.towerhousewares.co.uk and register with us online.

Please note that length of extended warranty offered is dependent on product type and that each qualifying product needs to be registered individually in order to extend its warranty past the standard 1 year.

Extended warranty is only valid with proof of purchase or receipt.

Your warranty becomes void should you decide to use non Tower spare parts.

Spare parts can be purchased from www.towerhousewares.co.uk

Or call our Customer Support Team on: **+44 (0) 333 220 6066**

