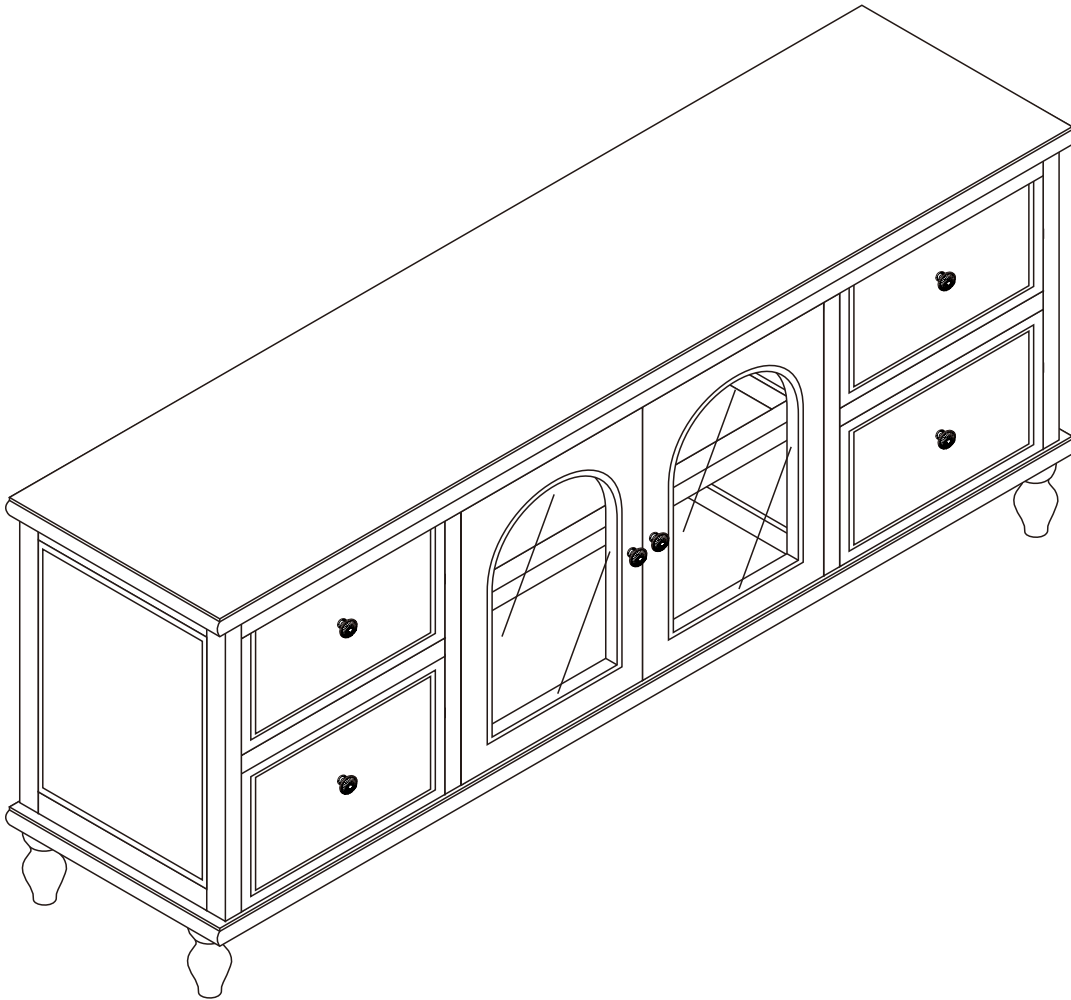
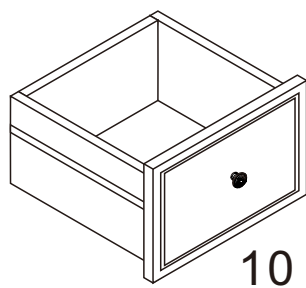
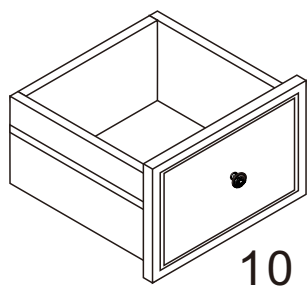
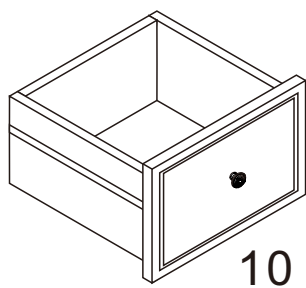
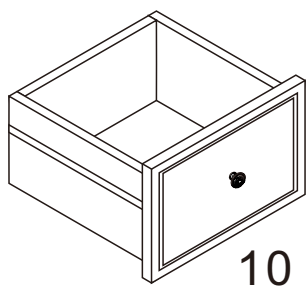
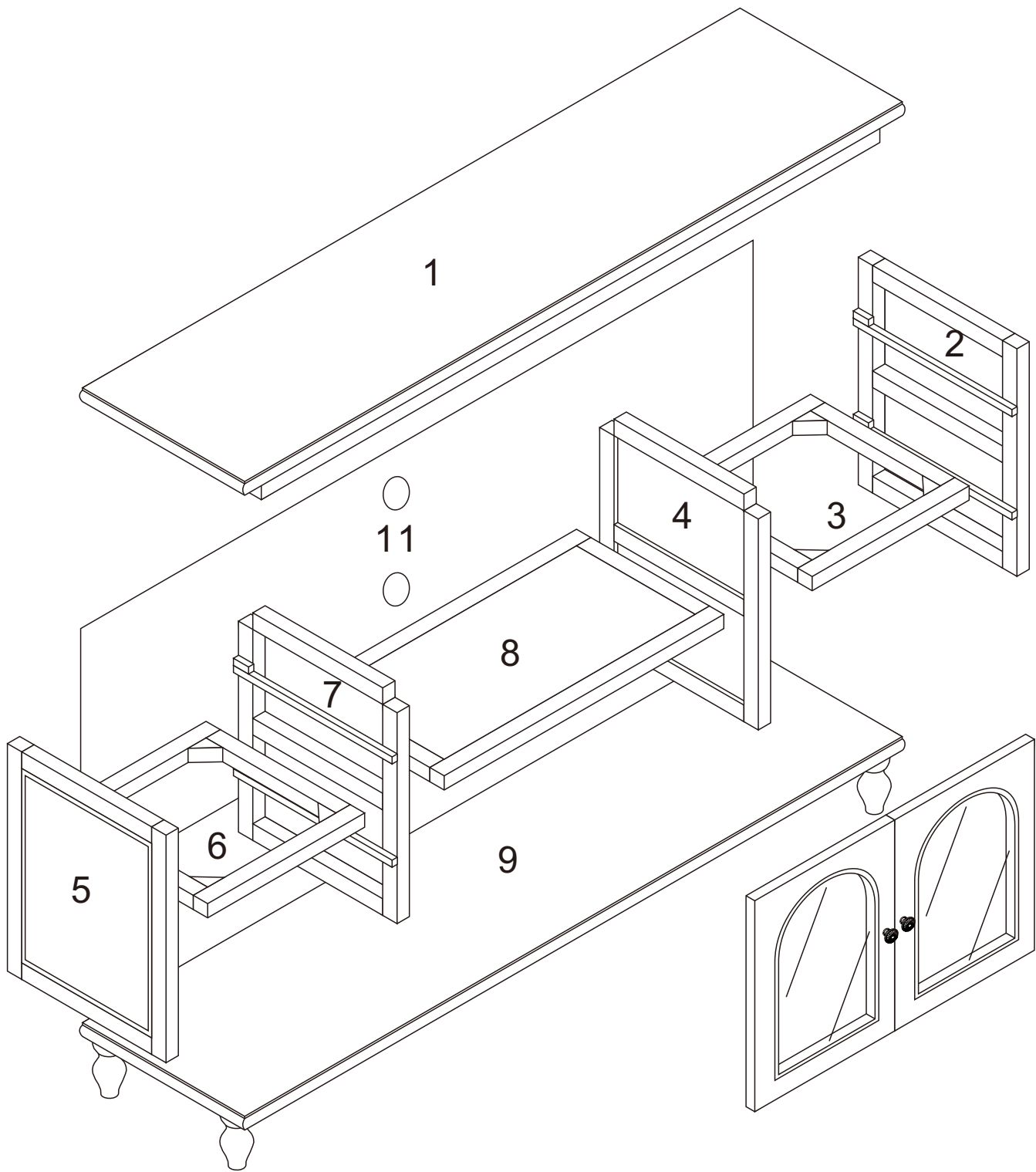


# Installation Instruction

---








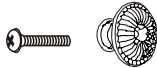
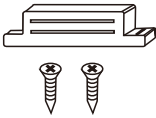
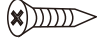



# Instruction Manual

Please save this manual for future reference.

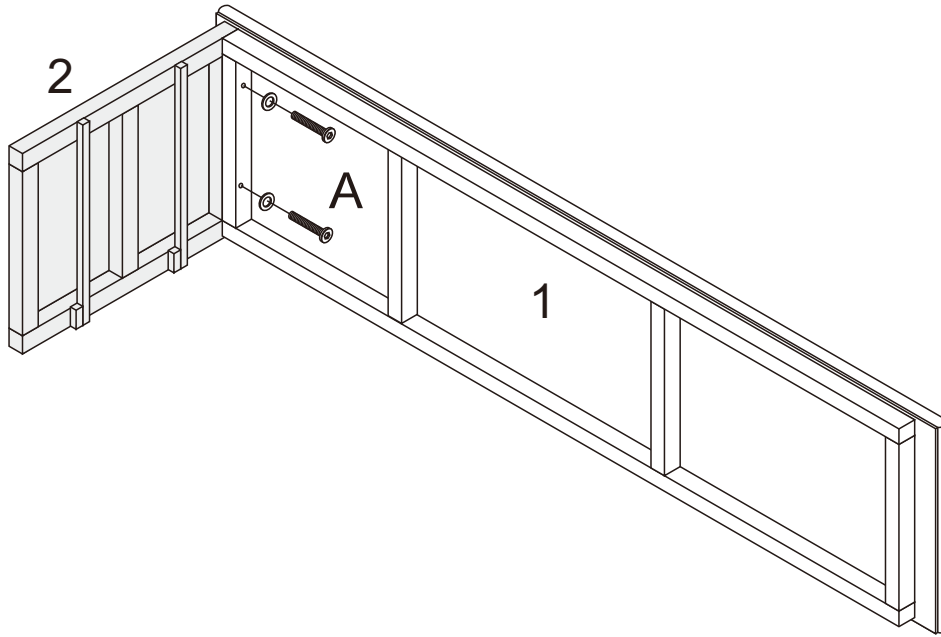
Thank you for purchasing this product. This product has been manufactured with the highest standards of safety and quality.


Product Name:	Vintage Wooden TV Stand White
SKU #:	W2295P489665-H0135

## hardwares contents:

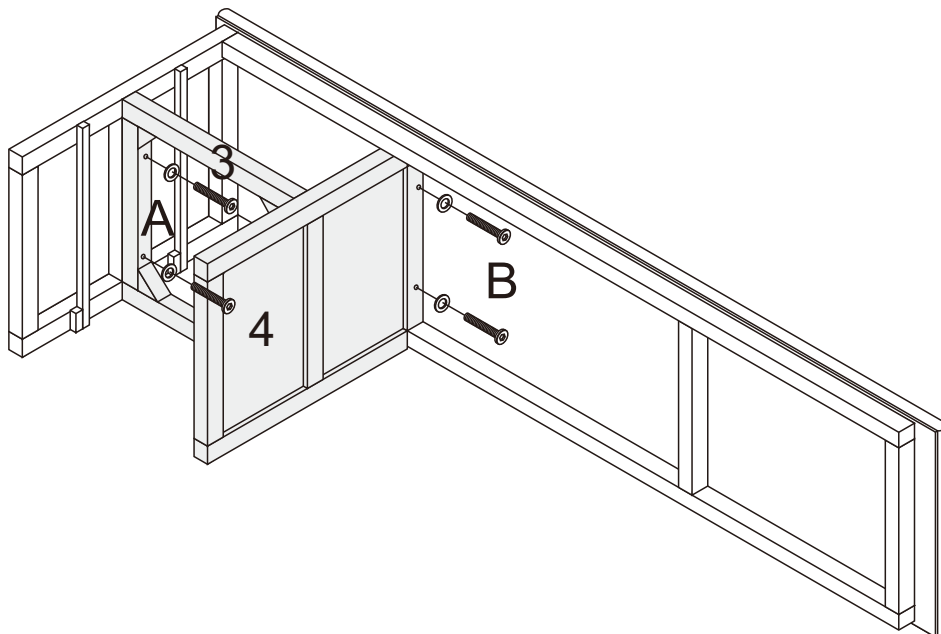
CONTENTS					
ID	DESCRIPTION	QTY	ID	DESCRIPTION	QTY
A	 8*35mm	8	B	 8*45mm	12
C	 8*55mm	4	D		6+6
E	 2+4	2+4	F	 3.5*20mm	13
G	 3*20mm	48	H		1
I		1	J		



1



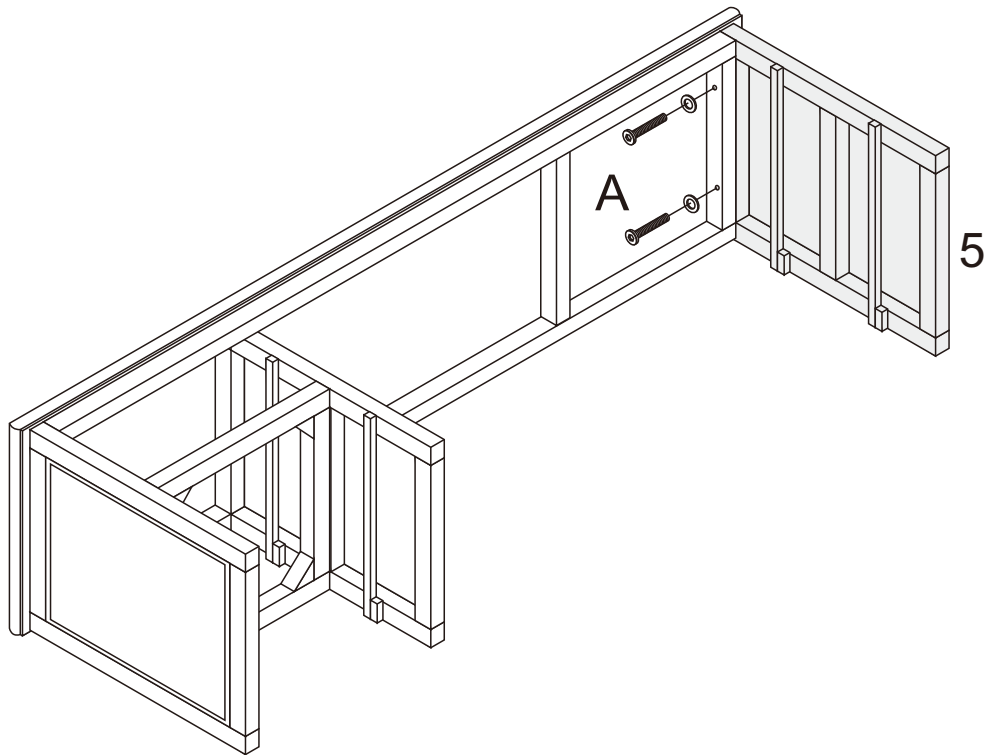
A	 8*35mm	2
---	--	---


2



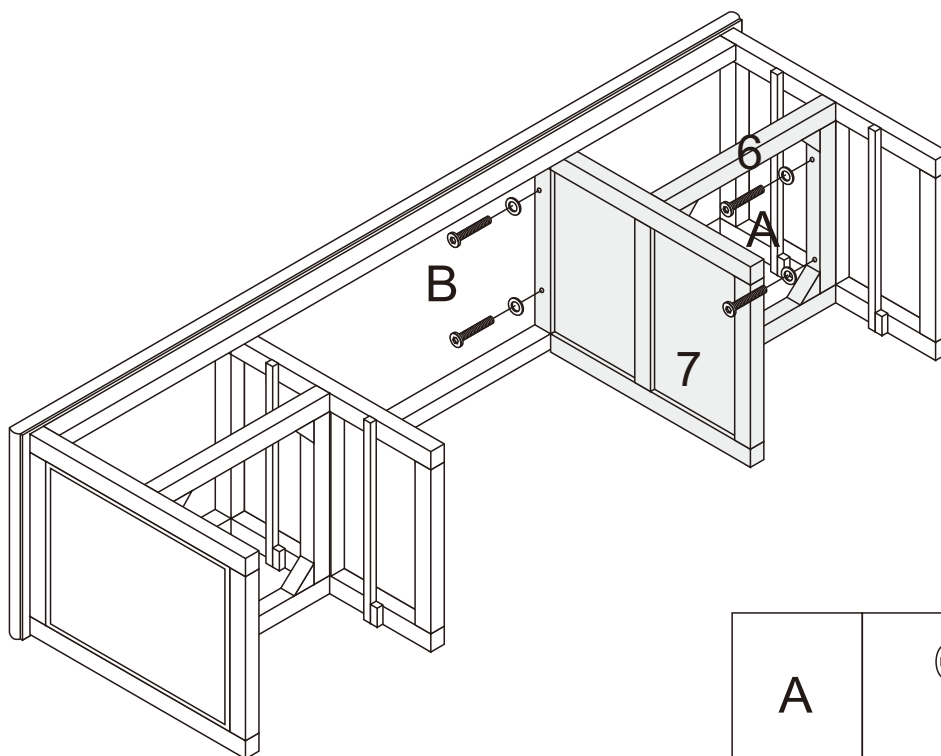
A	 8*35mm	2
B	 8*45mm	2



3



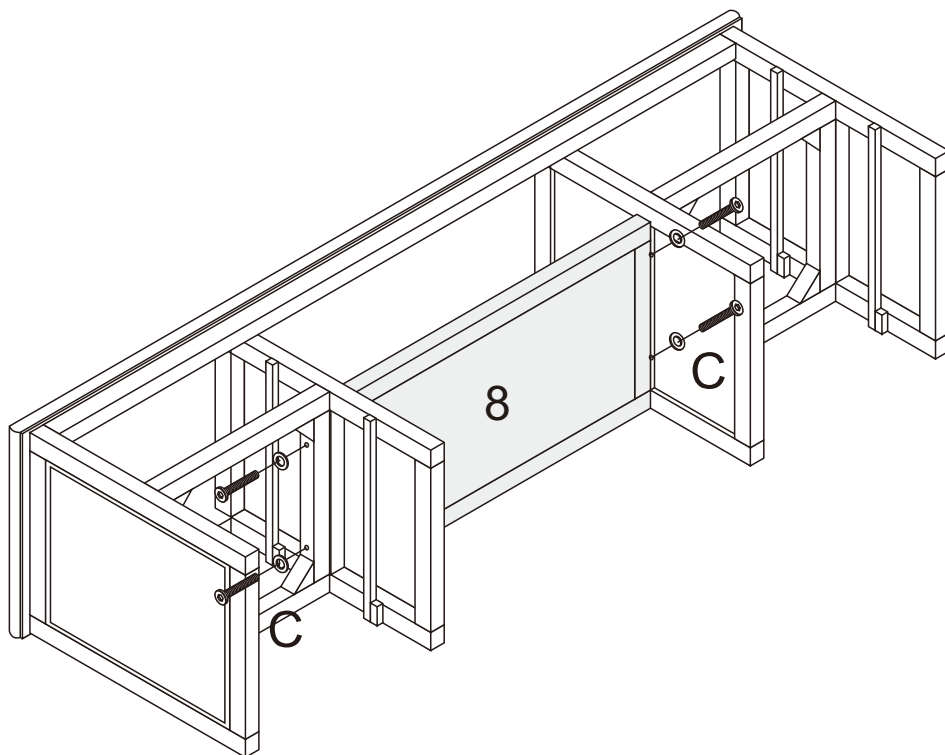
A	 8*35mm	2
---	--	---


4



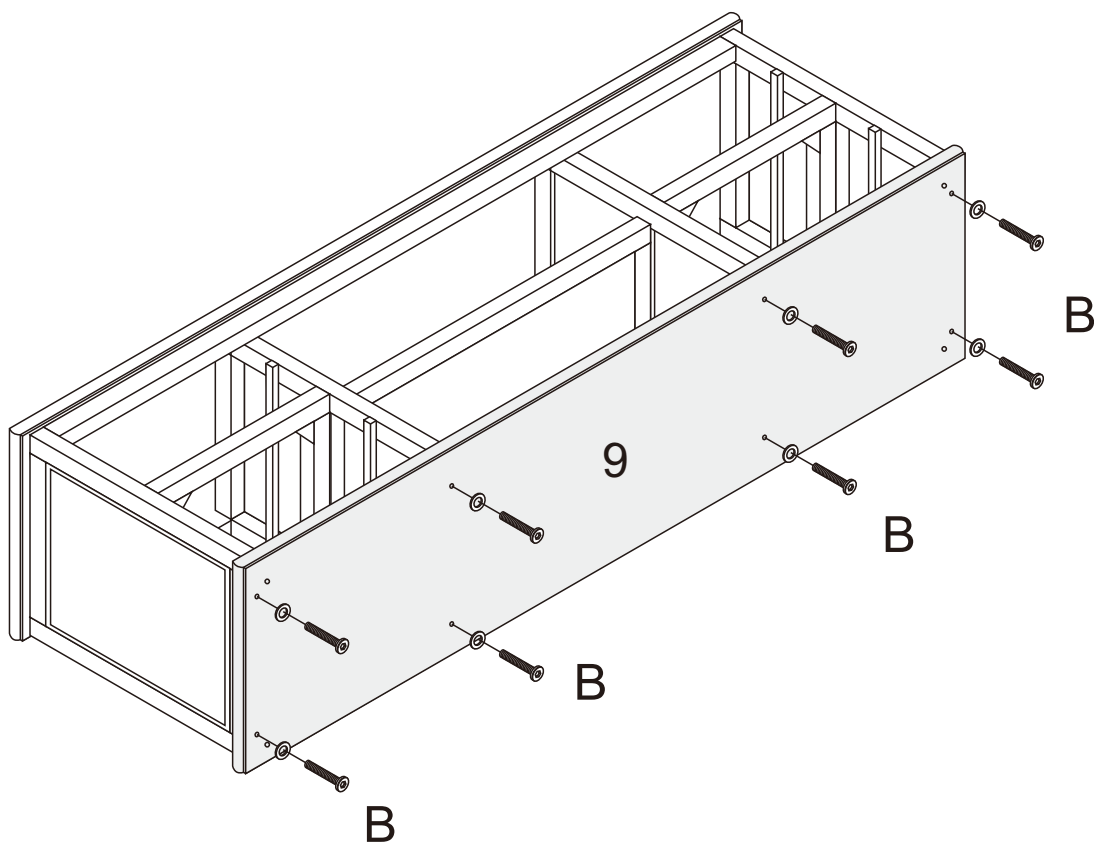
A	 8*35mm	2
B	 8*45mm	2


5



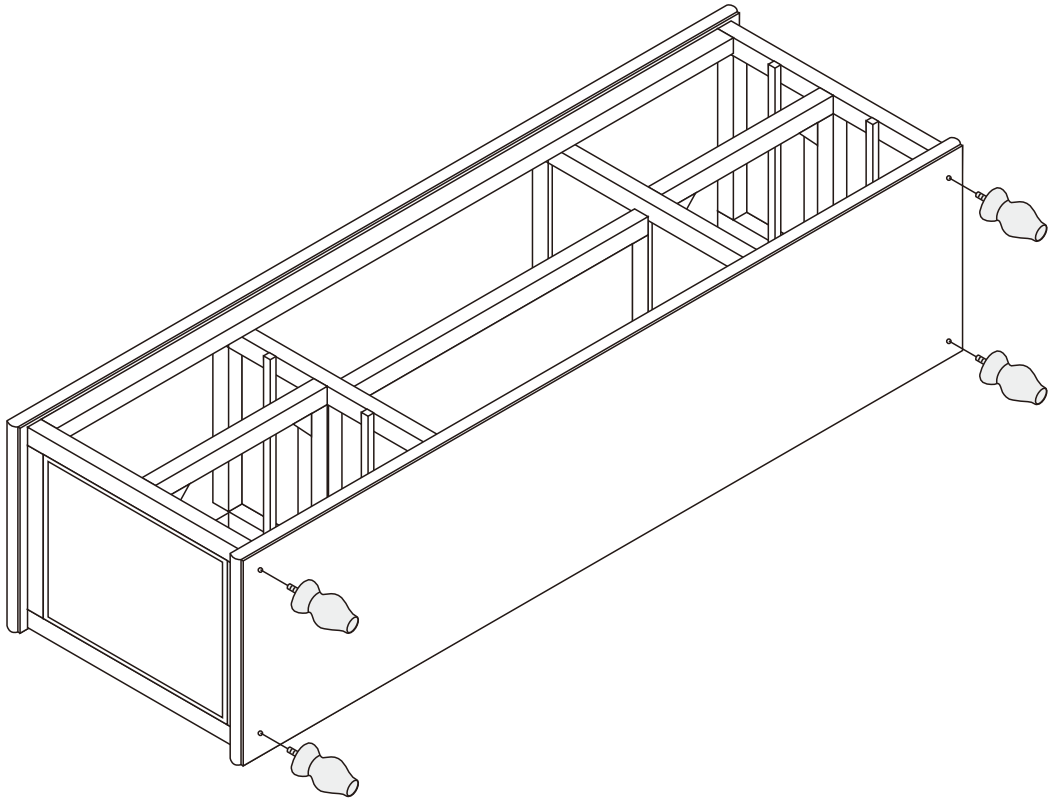
C	 8*55mm	4
---	--	---

6

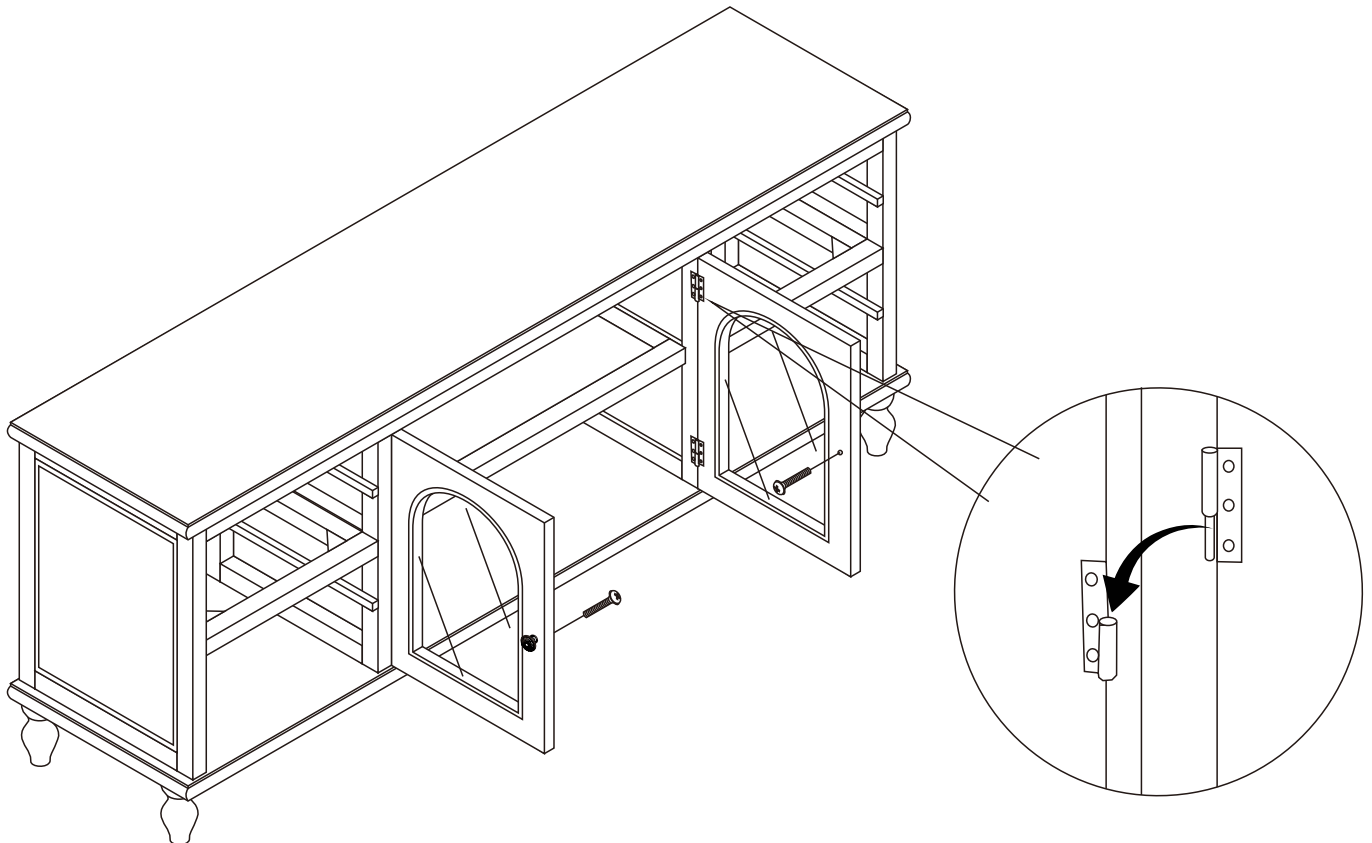


B	 8*45mm	8
---	---	---

7



8

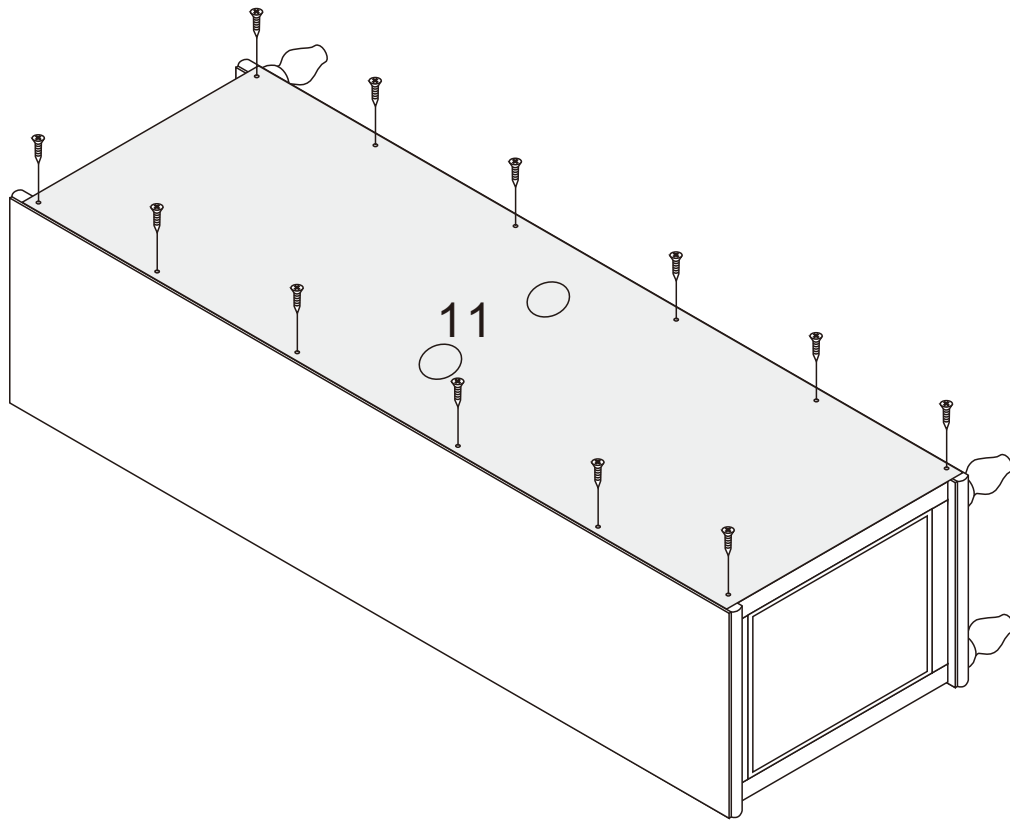


D



2+2

9



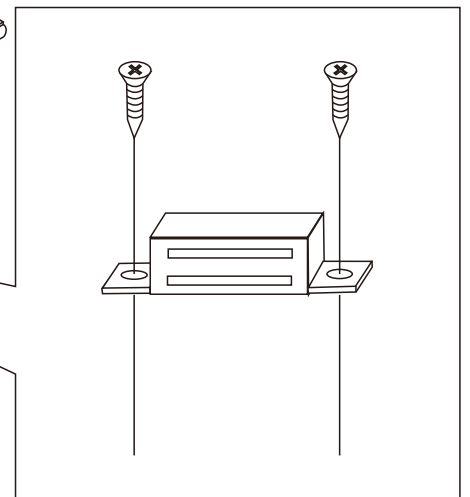
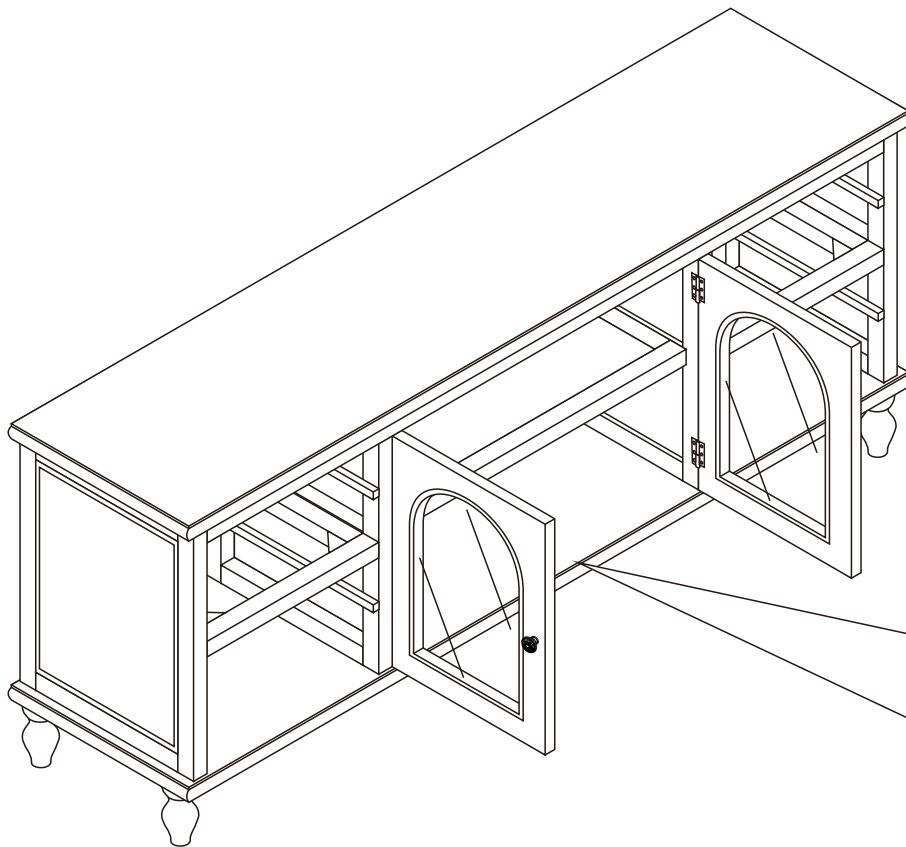
F



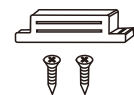
3.5\*20mm

13

10

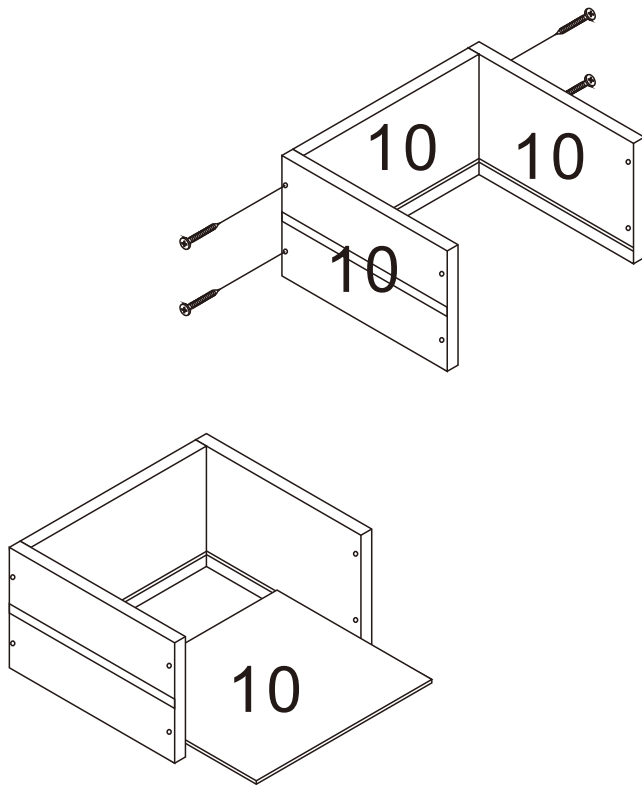


E

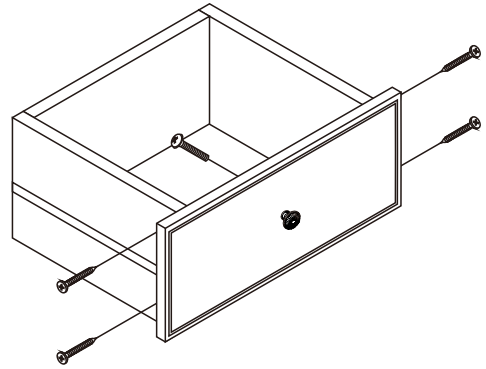



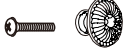
2+4

11



x4



G	 3*20mm	48
D		4+4

12

