

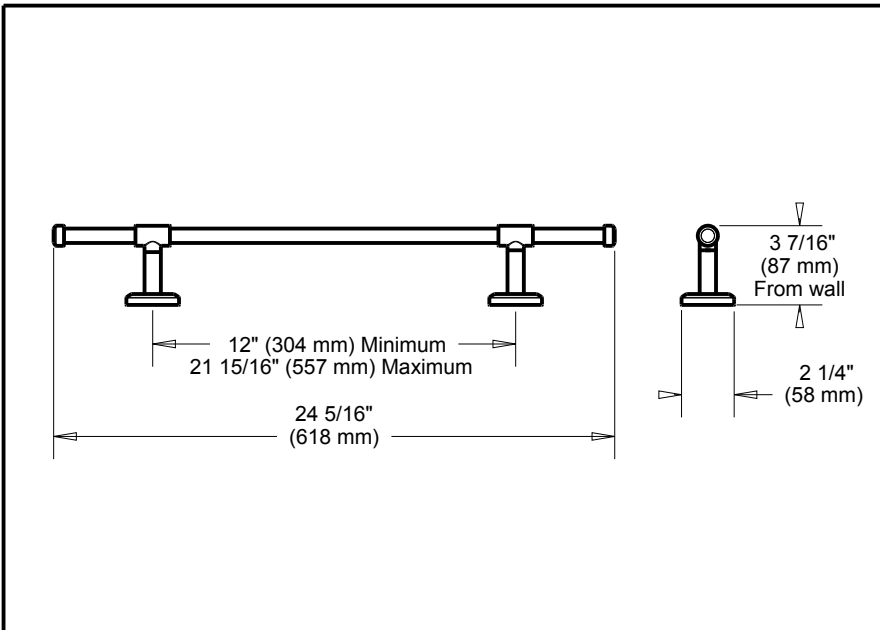
DELTA[®]

ACCESSORIES

- Westdale™ Bath Collection
- Adjustable Towel Bar

Submitted Model No.: _____

Specific Features: _____



STANDARD SPECIFICATIONS:

- Mounting hardware and mounting template included with product.

WARRANTY

- If you have any questions or concerns regarding technical support, installation or our warranty, please contact us at 1-800-635-2731 or visit our website at www.libertyhardware.com.

Delta reserves the right (1) to make changes in specifications and materials, and (2) to change or discontinue models, both without notice or obligation. Dimensions are for reference only. See current full-line price book or www.deltafaucet.com for finish options and product availability.

TDS 44167 - Rev. A



Liberty Hardware Manufacturing Corporation
140 Business Park Drive, Winston-Salem, NC 27107
1.800.964.4850 • www.libertyhardware.com
© 2020 LHMC, A Masco Company