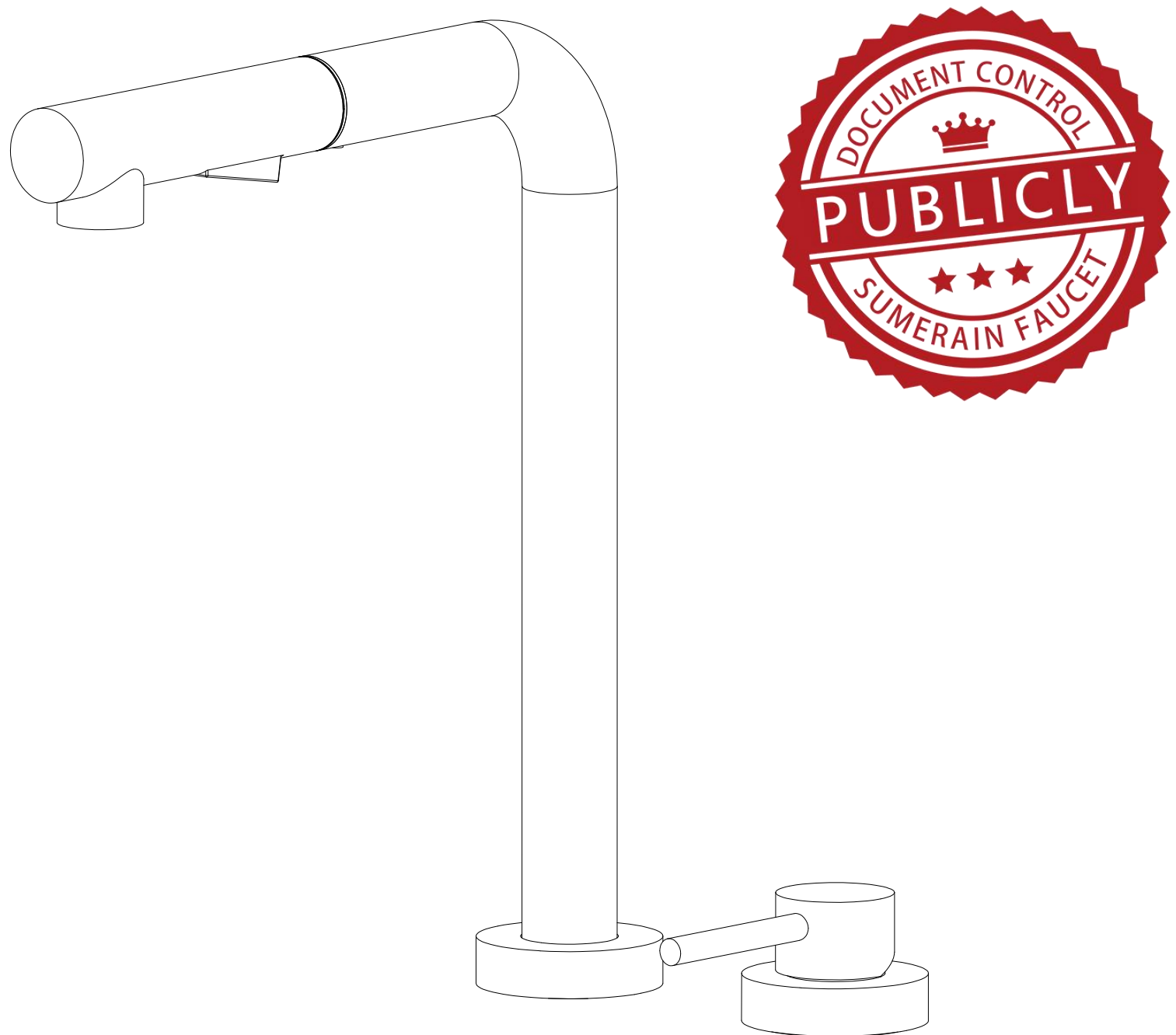


**INSTALLATION GUIDE**



**PULL-OUT KITCHEN FAUCET WITH ADJUSTABLE SPOUT**

MODEL	FINISH
S6127PR-CH	CHROME
S6127PR-BN	BRUSHED NICKEL
S6127PR-BG	BRUSHED GOLD
S6127PR-MB	MATTE BLACK
S6127PR-MG	BLACK&BRUSHED GOLD

**HOT LINE: +1-866-203-0866**

## THANK YOU

Dear Valued Customer,

SUMERAIN would like to take this opportunity to thank you for purchasing SUMERAIN products. It is our sincere hope that you are completely satisfied with your new purchase. All SUMERAIN products are carefully engineered, and factory tested to provide long trouble-free use under normal conditions. This product is easy to install using basic tools and our easy to follow illustrated instructions. We welcome any questions or comments you may have and look forward to assisting you in the future. If you have any questions regarding this product, call +1-866-203-0866 or email to [support@sumerain.com](mailto:supports@sumerain.com).

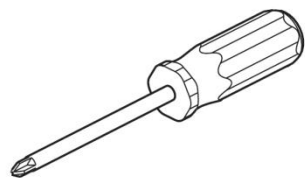
Sincerely,

SUMERAIN customer service department

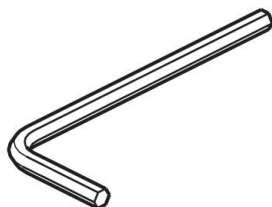
## BEFORE PROCEEDING

1. Unpack your new product and ensure that all the parts are contained in the packaging. Keep the product in its original box until you ready to install it.
2. Locate water supply inlets and shut off the water supply valves. These are usually found near the water meter.
3. If you are replacing an existing unit, remove the old unit and clean the mounting surface thoroughly.
4. Observe all plumbing and building codes in your area.
5. It is recommended calling professional if you are uncertain about installing this product.

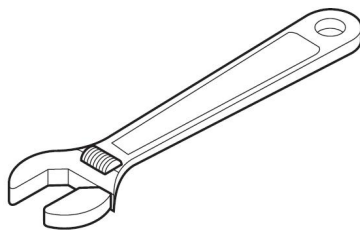
## TOOLS RECOMMENDED



Philips screwdriver



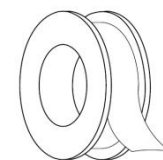
Allen wrench



Adjustable wrench



Channel locks



Thread Sealant

## LIMITED LIFETIME CONSUMER WARRANTY

**VERSION: 140320.15.3**

This product has been manufactured and tested to the highest quality standards by SUMERAIN sanitary Inc("SUMERAIN").This warranty is limited to SUMERAIN products which are purchased by a consumer in the China after Jan 1,2010 and installed in China or the state which has SUMERAIN technical support department locally.(visit <http://www.sumerain.com/en/supportcenter.asp> for review the state list of SUMERAIN technical support department).If the faucet should leak or drip during normal use,SUMERAIN will, free of charge, mail to the purchaser the cartridge necessary to put the faucet in good working condition. If a defect is found in normal residential use, SUMERAIN will, at its election, repair, provide a replacement part or product, or make appropriate adjustment.

### **WHO IS COVERED BY THE WARRANTY**

This warranty extends to the original consumer purchaser only (exclusive online retail original customer, online retail original customer cover by the "Online CONSUMER Limited Lifetime WARRANTY & Return policy"), This warranty is not-transferable.

### **WHAT IS COVERED BY THE WARRANTY**

This warranty covers only your SUMERAIN manufactured product. SUMERAIN warrants this product against defects in material or workmanship as follows: SUMERAIN will repair at no charge for parts only or, at its option, replace any product or part of the product that proves defective because of improper workmanship and/or material, under normal installation, use, service and maintenance. If SUMERAIN unable to provide replacement, SUMERAIN may elect to provide similar model upon close value.

### **FINISH WARRANTY**

It is the responsibility of the customer to check for any material finish defects before installation. SUMERAIN doesn't warranty these finishes after the fixture has been installed.

### **ELECTRONIC FAUCETS WARRANTY**

SUMERAIN warrants that its electronic faucets, valves and controls to be free from manufacturing defects in material and workmanship under normal use for three(3) years from the date of purchase and waterflow impeller-dynamo (generate power for LED faucet) for six(6) months from the date of purchase.

### **LENGTH OF WARRANTY**

Replacement or repaired parts of products will be covered for the term of this warranty as stated in the following two sentences, if you are a consumer who purchased the product for use primarily for personal,family,or household purposes, this warranty extends for 5 years since the product originally installed (Extend max 1 month From the date of purchase).if you purchased the product for use primarily for any other purpose,including,without limitation, a commercial purpose or is installed outside of US, or if the finish is gold, non-Vibrant or a painted or powder coated color finish this warranty extends only for one year, with respect to SUMERAIN and commercial products.

### **THIS WARRANTY DOES NOT COVER, AND SUMERAIN WILL NOT PAY FOR:**

- A.** Conditions, malfunctions or damage not resulting from defects in material or workmanship.
- B.** Conditions, malfunctions or damage resulting from normal wear and tear, improper installation, improper maintenance, misuse,abuse,negligence,accident or alteration or the use of abrasive or caustic cleaning agents or "no-rinse" cleaning products, or the use of the product in any manner contrary to the product instructions. Conditions in the home such as excessive water pressure or corrosion.
- C.** Labor or other expenses for the disconnection, deinstallation, or return of the product for warranty service, or for installation or reinstallation of the product.
- D.** Accessories, connected materials and products (including but not limited in handshower flexible hose, spray flexible hose, handshower), or related products not manufactured by SUMERAIN

### **TO OBTAIN WARRANTY PARTS OR INFORMATION**

Contact your SUMERAIN retailer or contact technical service at: [supports@sumerain.com](mailto:supports@sumerain.com)

In requesting warranty service, you will need to provide

1. The sales receipt or other evidence of the date and the place of purchase.
2. A description of the problem (Download URL: <http://www.sumerain.com/download/servicerequest/sheet.pdf> and fill out the Service Request Sheet).
3. Delivery of the product or the defective part, postage prepaid and carefully packed and insured to specified address.

When warranty service is completed, any repaired or replacement product or part will be returned to you postage prepaid.

### **EXCLUSIONS AND LIMITATIONS**

Repair or replacement (or, in limited circumstances, refund of the purchase price) as provided under this warranty is the exclusive remedy of the purchaser. SUMERAIN neither assumes nor authorizes any person to create for it any obligation or liability in connection with this product.SUMERAIN shall not be liable to purchaser or any person for any incidental, special, or consequential damages, arising out of breach of this warranty or any implied warranty (including merchantability) Some states do not allow the exclusion or limitation of incidental or consequential damages, so the above limitation or exclusion may not apply to you. This warranty gives you specific legal right, and you may have other rights which vary from state to state. You may be required by law to give us a reasonable opportunity to correct or cure any failure to comply before you can bring any action in court against us under the Magnusson-moss warranty Act.

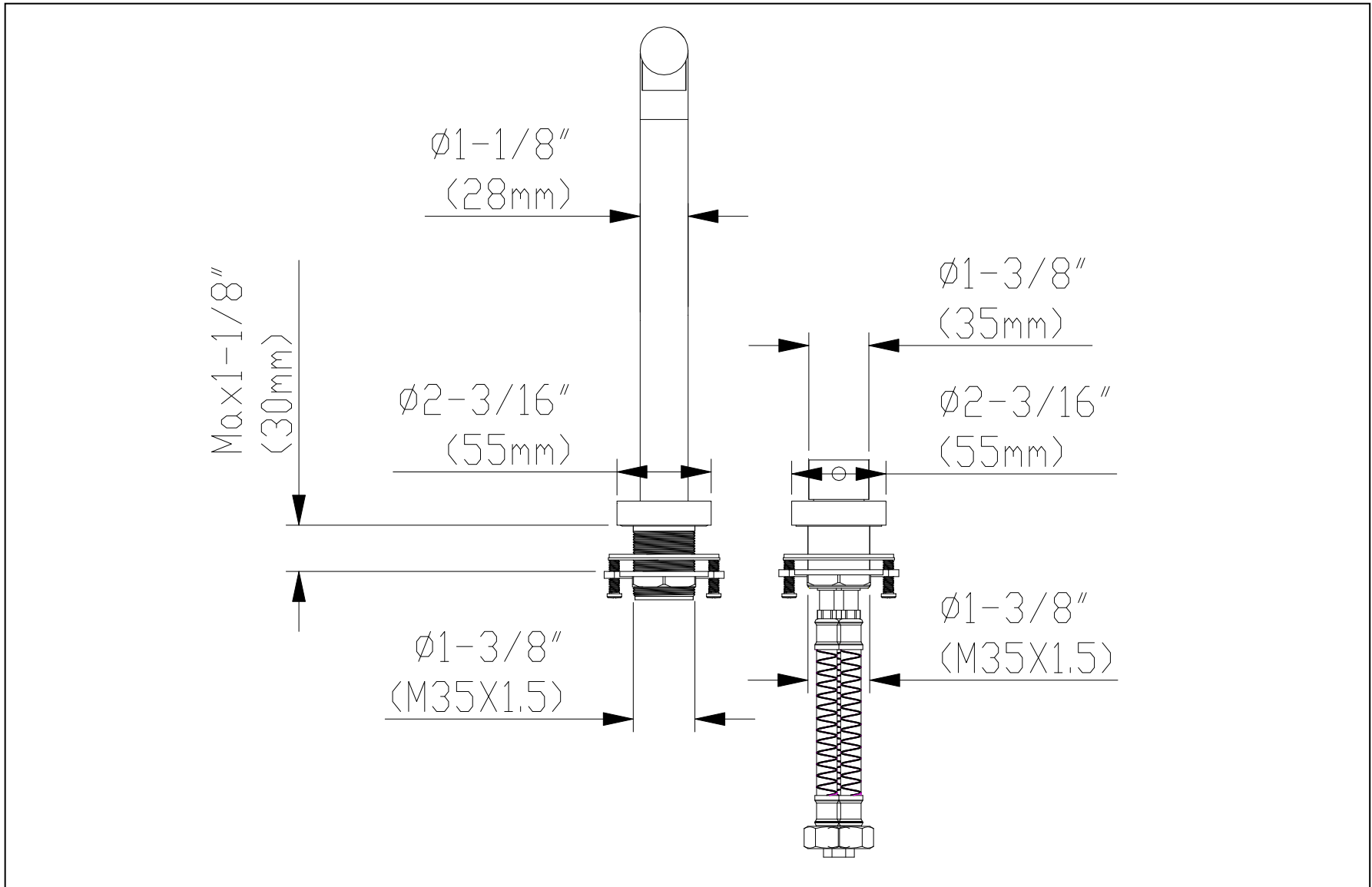
### **PRODUCT INSTRUCTIONS AND QUESTIONS**

Upon purchase or prior to installation, please carefully inspect your SUMERAIN product for any damage or visible defect. Prior to installing, always carefully study the enclosed instructions on the proper installation and the care and maintenance of the product. if you have questions at any time about the use,installation,or performance of your SUMERAIN product, or this warranty, please call or email us at +1-866-2030-866, [supports@sumerain.com](mailto:supports@sumerain.com)

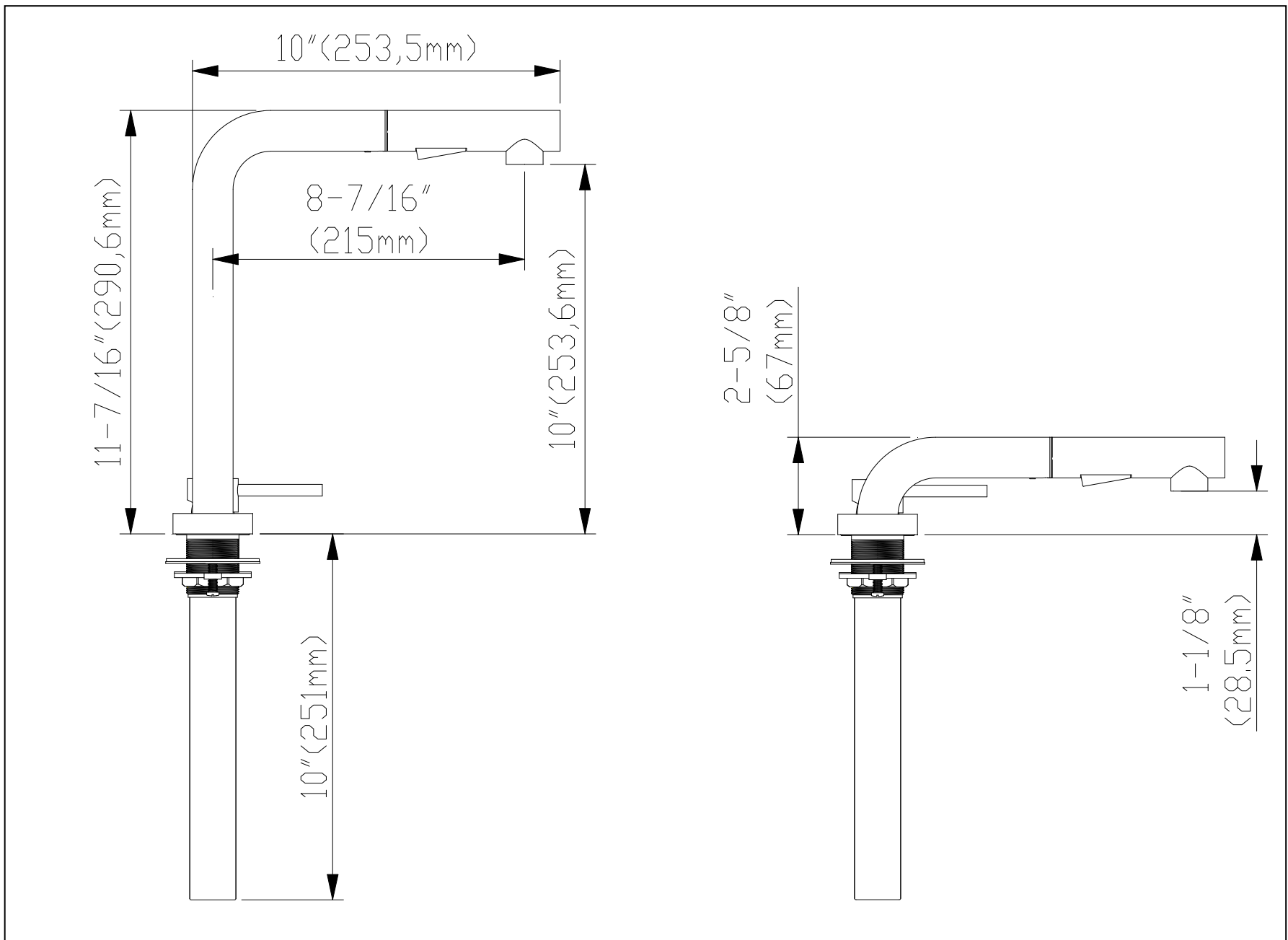
## FUNCTIONS AND SPECIFICATION

Faucet Type	<b>Kitchen Faucet</b>
Style	<b>Contemporary</b>
Finish	<b>Chrome/Brushed Nickel/Matte Black/Brushed Gold/ Black&amp;Brushed Gold</b>
Installation type	<b>Deck Mount</b>
Installation Holes	<b>Two Holes</b>
Number of Handles	<b>One</b>
Faucet Total Height	<b>11-7/16 Inch [296mm]</b>
Spout Reach	<b>8-7/16 Inch [215mm]</b>
Spout Width	<b>1-1/8 Inch [28mm]</b>
Spout Height	<b>Min 1-1/8"~Max 10" [28.5mm-253.6mm ]</b>
Max deck thickness	<b>1-3/16 Inch [30mm]</b>
Valve Type	<b>Ceramic Cartridge</b>
Water Flow Rate	<b>1.8GPM [6.8L/M]</b>
Faucet Material	<b>Brass and Stainless steel</b>
Net Weight	<b>4lbs [1.83KG]</b>
Gross Weight	<b>4.74lbs [2.15KG]</b>
Working water pressures	<b>29PSI ~ 116PSI [0.2 ~0.8 Mpa]</b>
Pack Size	<b>15" x 7-9/32" x 3-27/32" [ 380mm x 185mm x 98mm ]</b>

# DEMENSION



FRONT VIEW



LEFT VIEW

## INSTALLATION STEPS

### 1. BEFORE PROCEEDING



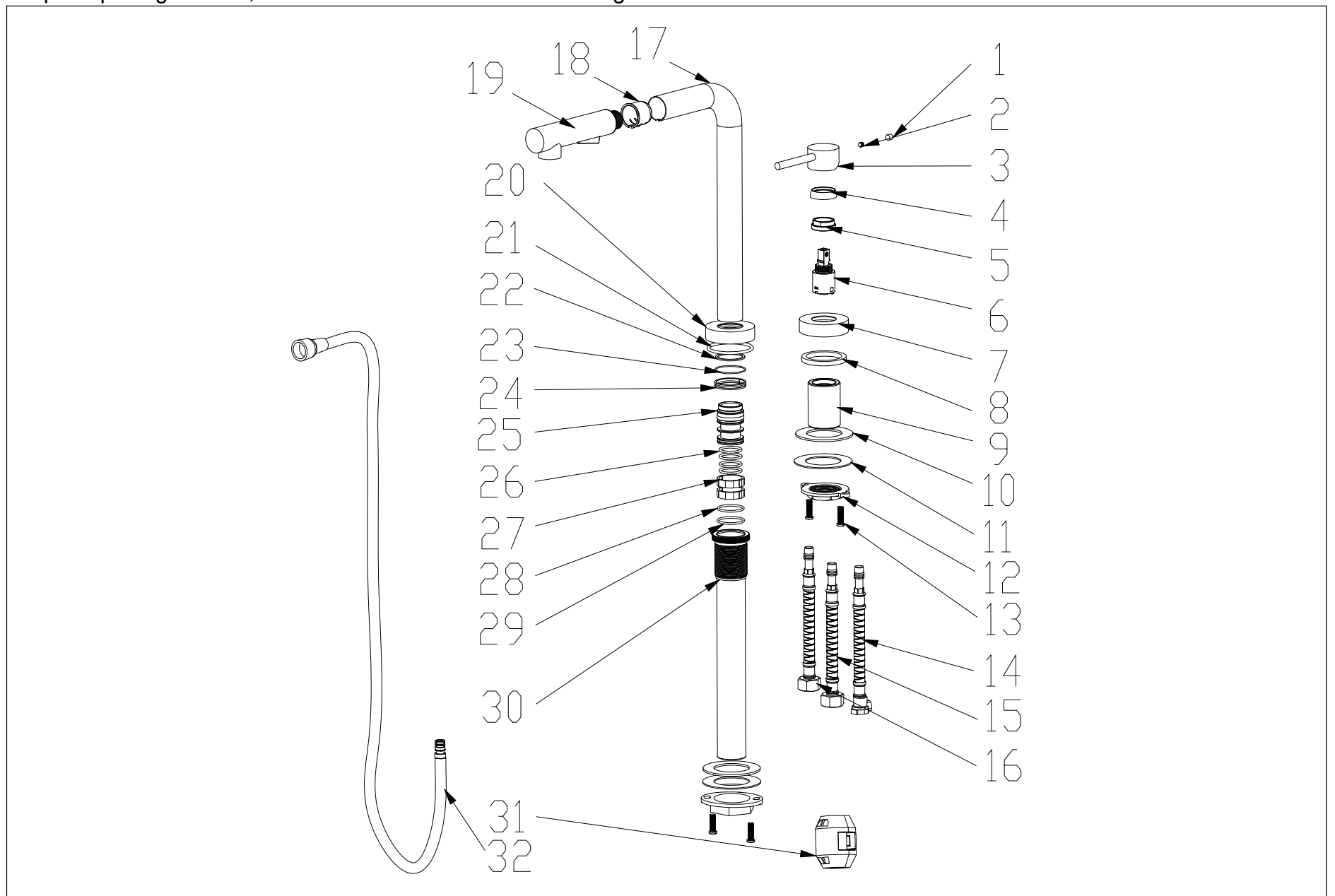
**WARNING:** Read all the instructions completely before proceeding. SUMERAIN recommends calling a Professional, if you are uncertain about installing this product!, this product should be installed in accordance with all local and state plumbing and building codes.

### 2. SHUT OFF WATER SUPPLY

Locate water supply inlets and shut off the water supply valves. These are usually found near the water meter. If you are replacing an existing unit, remove the old unit and clean the mounting surface thoroughly.

### 3. CHECKING THE CONTENTS OF THE BOX

Upon opening the box, check to ensure that all the following items are included.

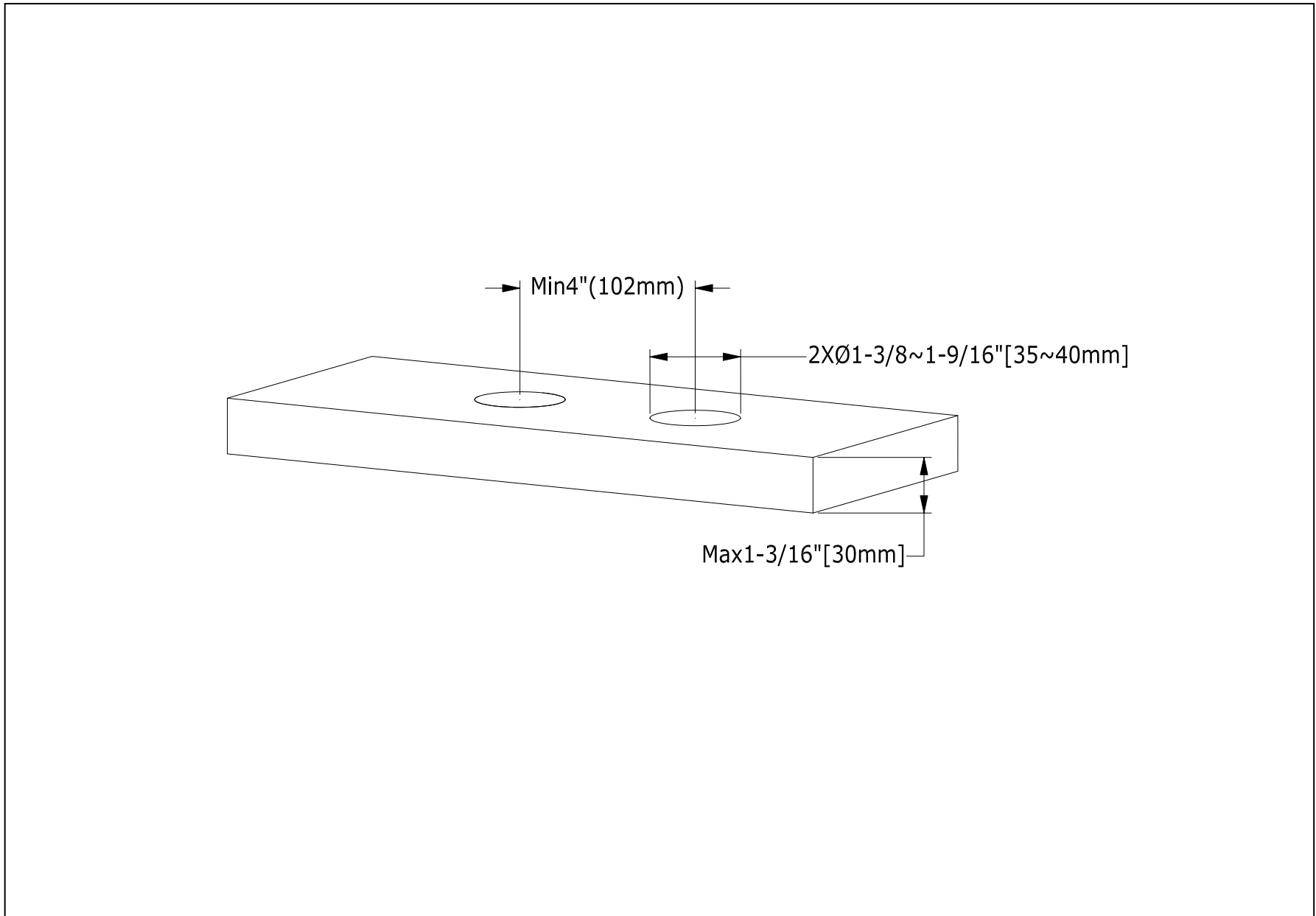


NO.	ITEM NAME	MATERIAL	QTY	PART NO.	NO.	ITEM NAME	MATERIAL	QTY	PART NO.
1	Silicone Button	NBR	1	PSA00001XX	17	Spout Tube	SUS304	1	PPI61271XX
2	Set screw	SUS304	1	PSC05050XX	18	Retainer	POM	1	PSA00025XX
3	Handle(lever)	Zn Alloy No.3	1	PH61270XX	19	Sprayer	ASSEMBLE	1	PHS61270XX
4	Flange	HPB59-1	1	PFC61270XX	20	Escutcheon	HPB59-1	1	PEC61271XX
5	Bonnet nut	HPB59-1	1	PSC61270PB	21	O-Ring	NBR	1	POR52030XX
6	Φ25 cartridge	ASSEMBLE	1	PCT25488XX	22	Slip ring	POM	1	PRW33284XX
7	Escutcheon	HPB59-1	1	PEC61270XX	23	Retainer	SUS304	1	PSA61270XX
8	Rubber washer	NBR	1	PRW50405XX	24	Circlip	POM	1	PRW61270XX
9	Valve body	HPB59-1	1	PVB61270XX	25	Connecting rotating core	HPB59-1	1	PCN61270XX
10	Rubber washer	NBR	2	PSA00003XX	26	O-Ring	NBR	4	POR26025XX
11	Metal Gasket	SUS304	2	PRW65401XX	27	Circlip	POM	2	PRW30258XX
12	Mounting Nut	SUS304	2	PNT00036XX	28	O-Ring	NBR	1	POR30025XX
13	Locknut Screw	SUS304	4	PSA00010XX	29	O-Ring	NBR	1	POR32020XX
14	Mixer flexible hose	ASSEMBLE	1	PFH00005XX	30	Shank	SUS304	1	PNT61272XX
15	Cold supply line[Blue]	ASSEMBLE	1	PFH00002XX	31	Heavy ball	ASSEMBLE	1	PSA61190XX
16	Hot supply line[Red]	ASSEMBLE	1	PFH00001XX	32	Sprayer supply hose	ASSEMBLE	1	PFH00011XX

If any of these items are missing, please contact SUMERAIN consumer service by email to: [supports@sumerain.com](mailto:supports@sumerain.com)

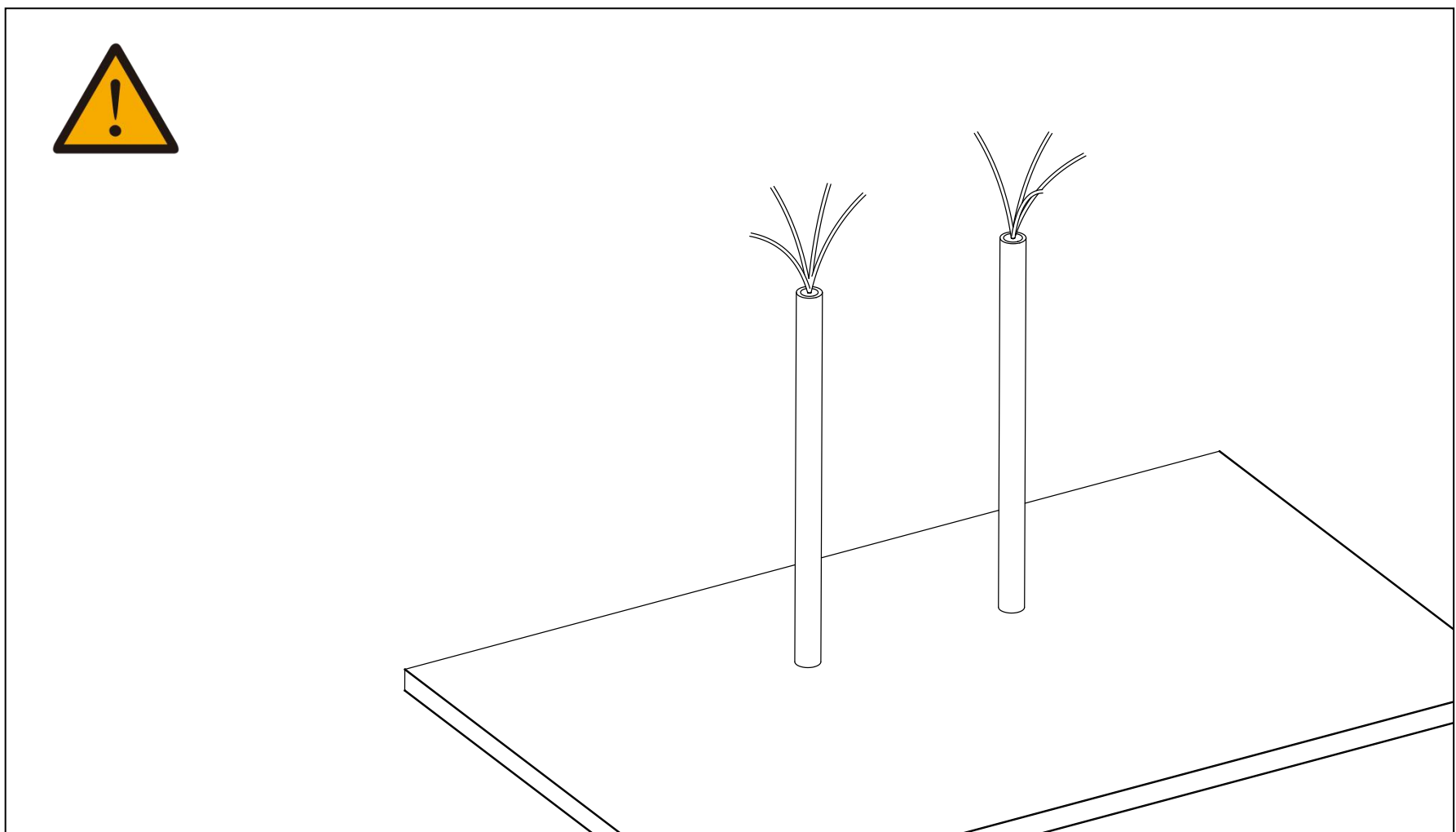
#### **4. INSTALLATION HOLES INSPECTION**

Verify that the hole sizes is correct, please ensure the diameter of mounting hole is between 1-3/8" to 1-9/16" (ø35mm to ø40mm) recommend using a 1-1/2" in. (ø40mm) hole saws bits for drilling the mounting hole and the max deck thickness is 1-3/16"(30mm)

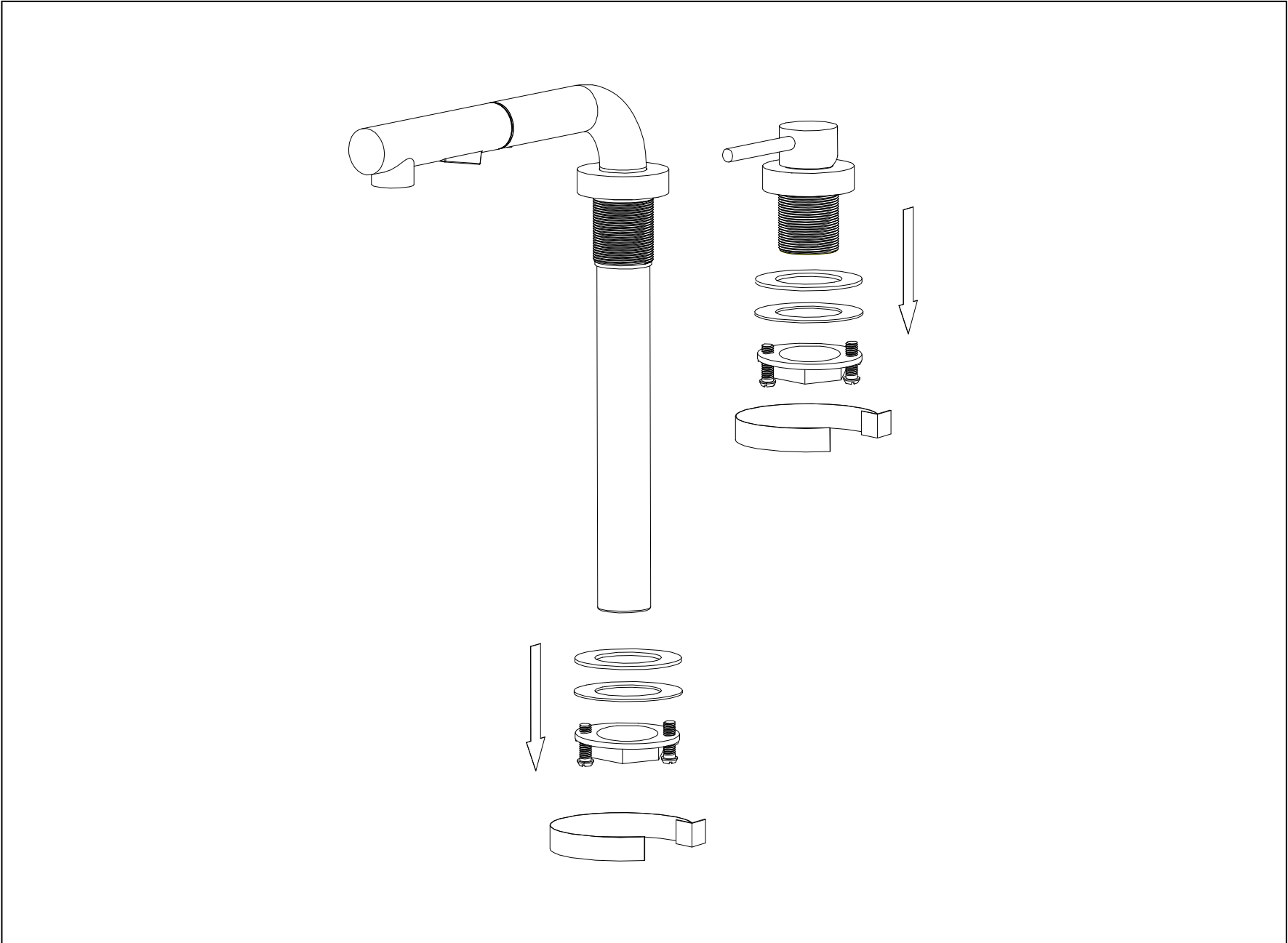


#### **5. INSTALLATION**

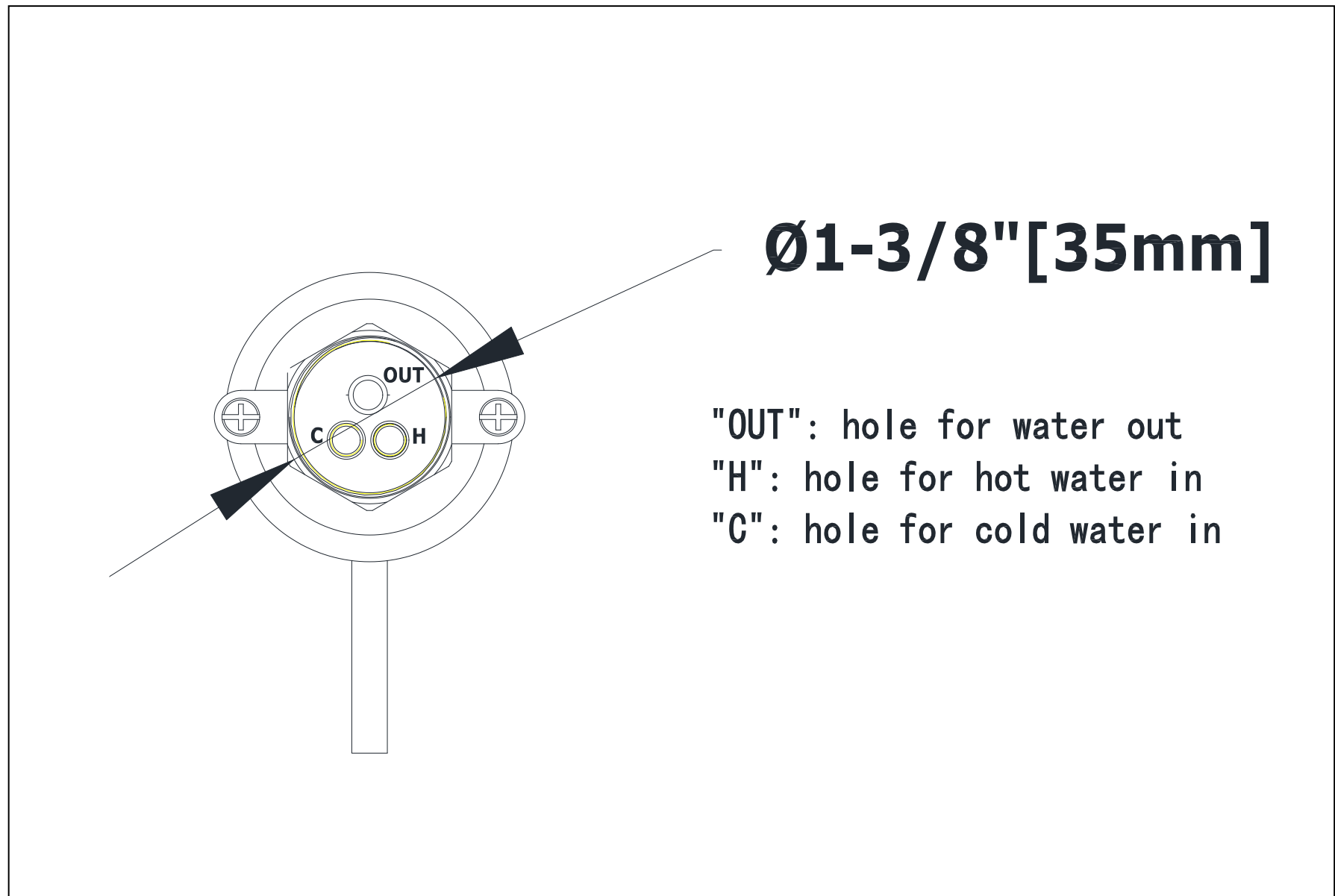
**5.1** Turn on your shut-off valve for cleaning the hot and cold water supply pipe before connect to the faucet, allow the water flush 3~5 minutes to flush out dirt and debris. Shut off the water supply again after done.

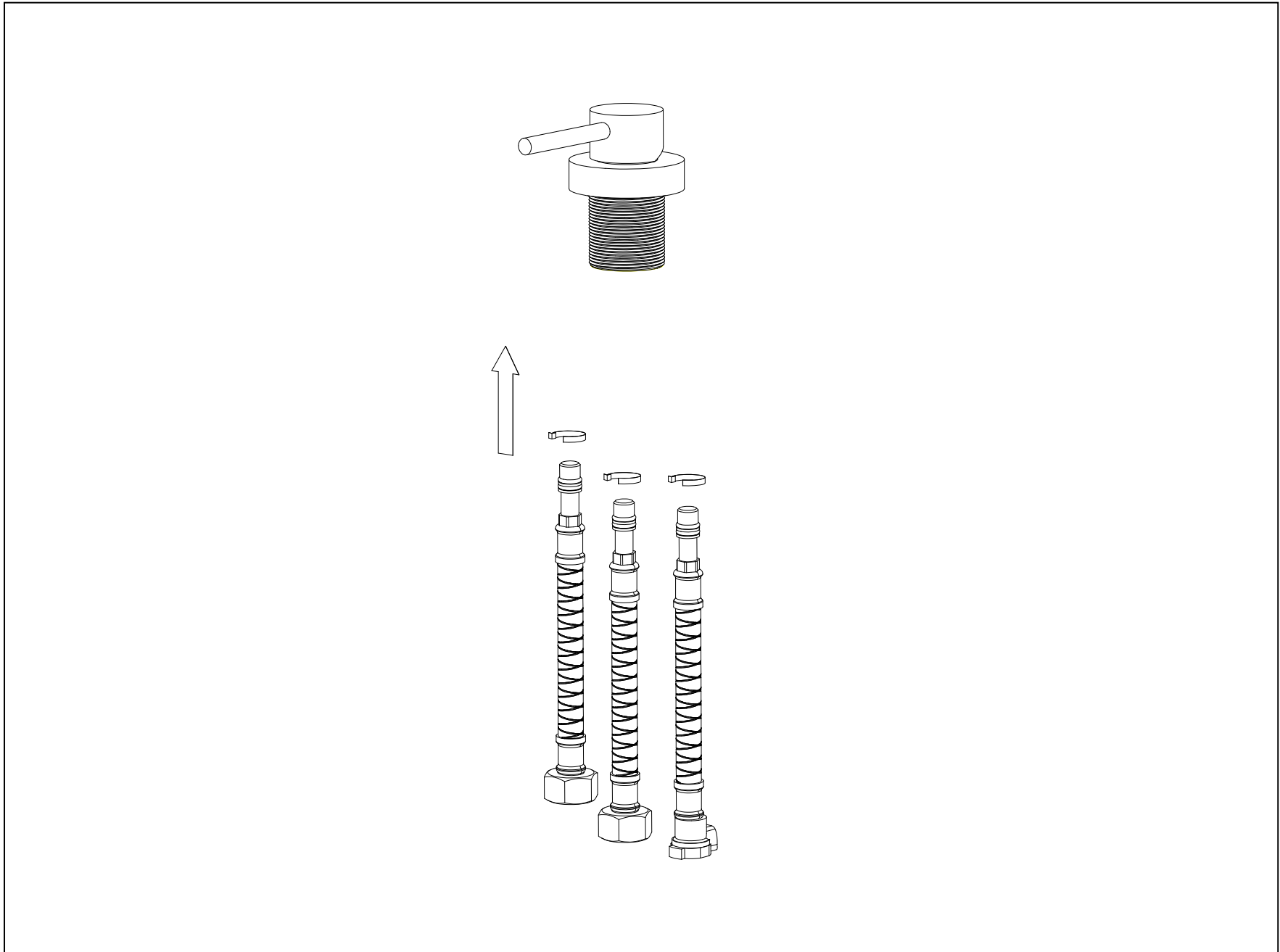


5.2 Remove the mounting hardware from the mounting shank

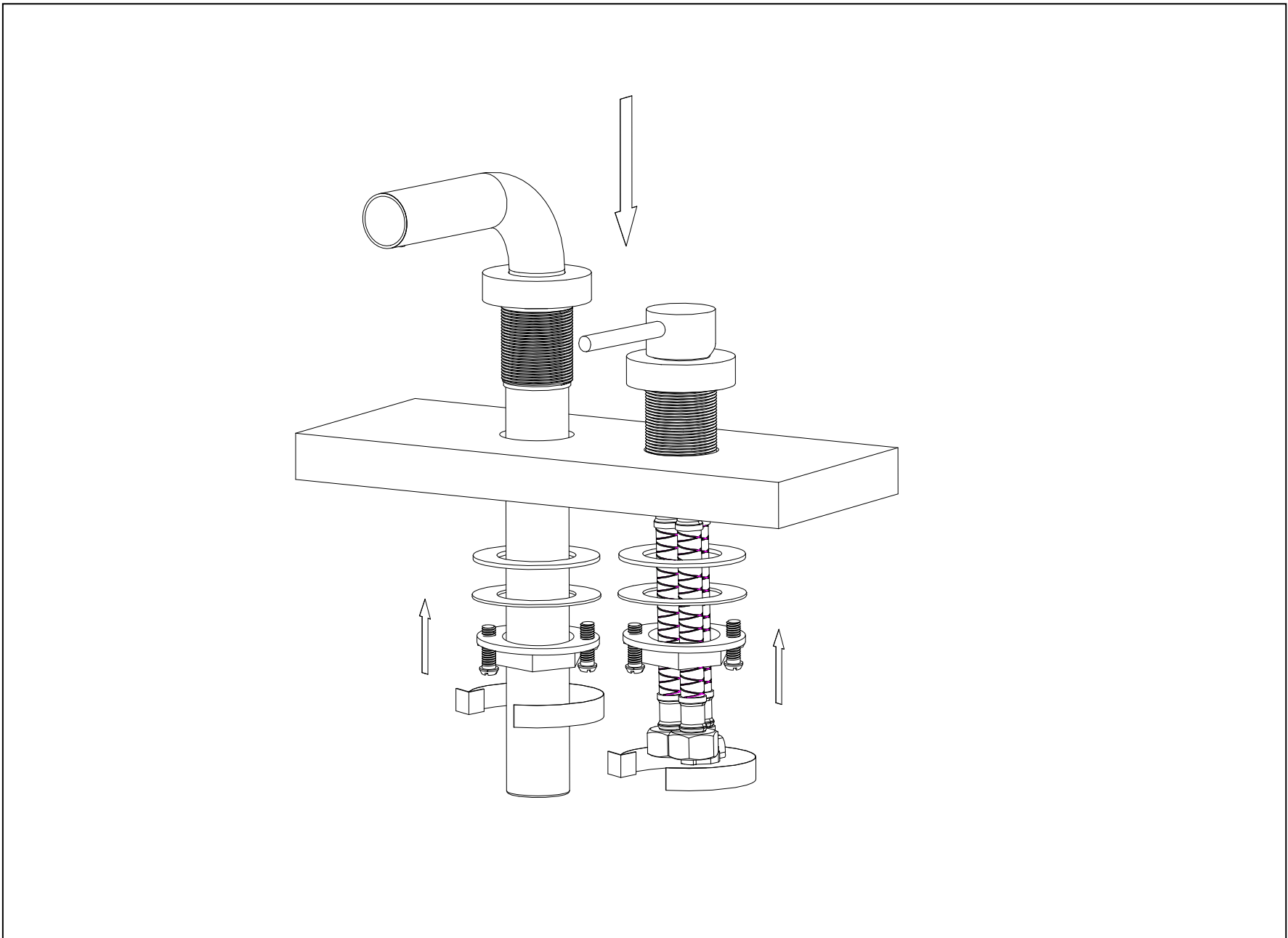


5.3 Connect hot and cold water supply lines provided, to their respective threaded connectors at the bottom of the faucet, Hot: left, cold: Right. Tighten both supply lines by hand, and then with a wrench or grips, but be careful not to over tighten or you may strip or crack the threaded connectors.

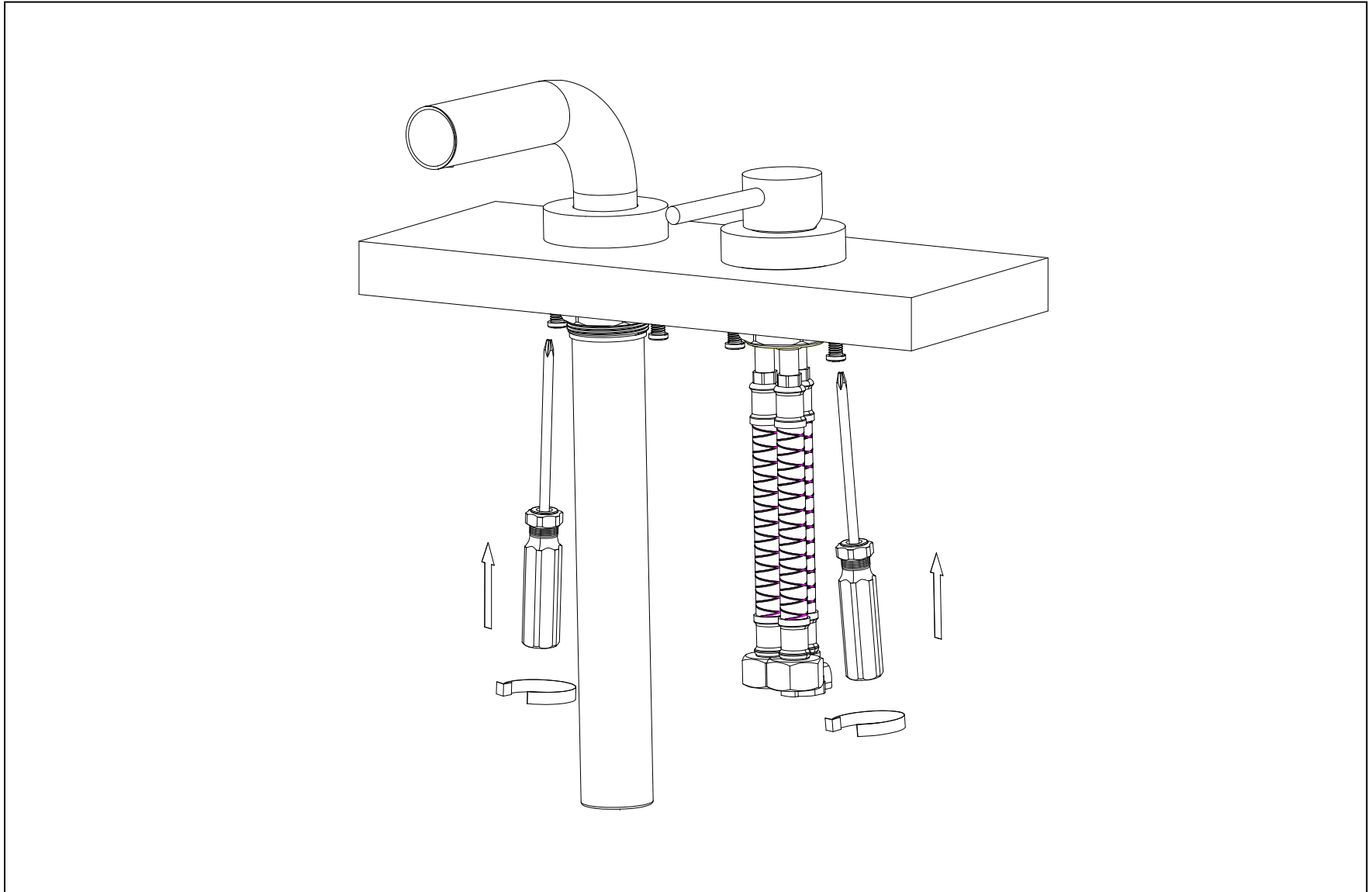




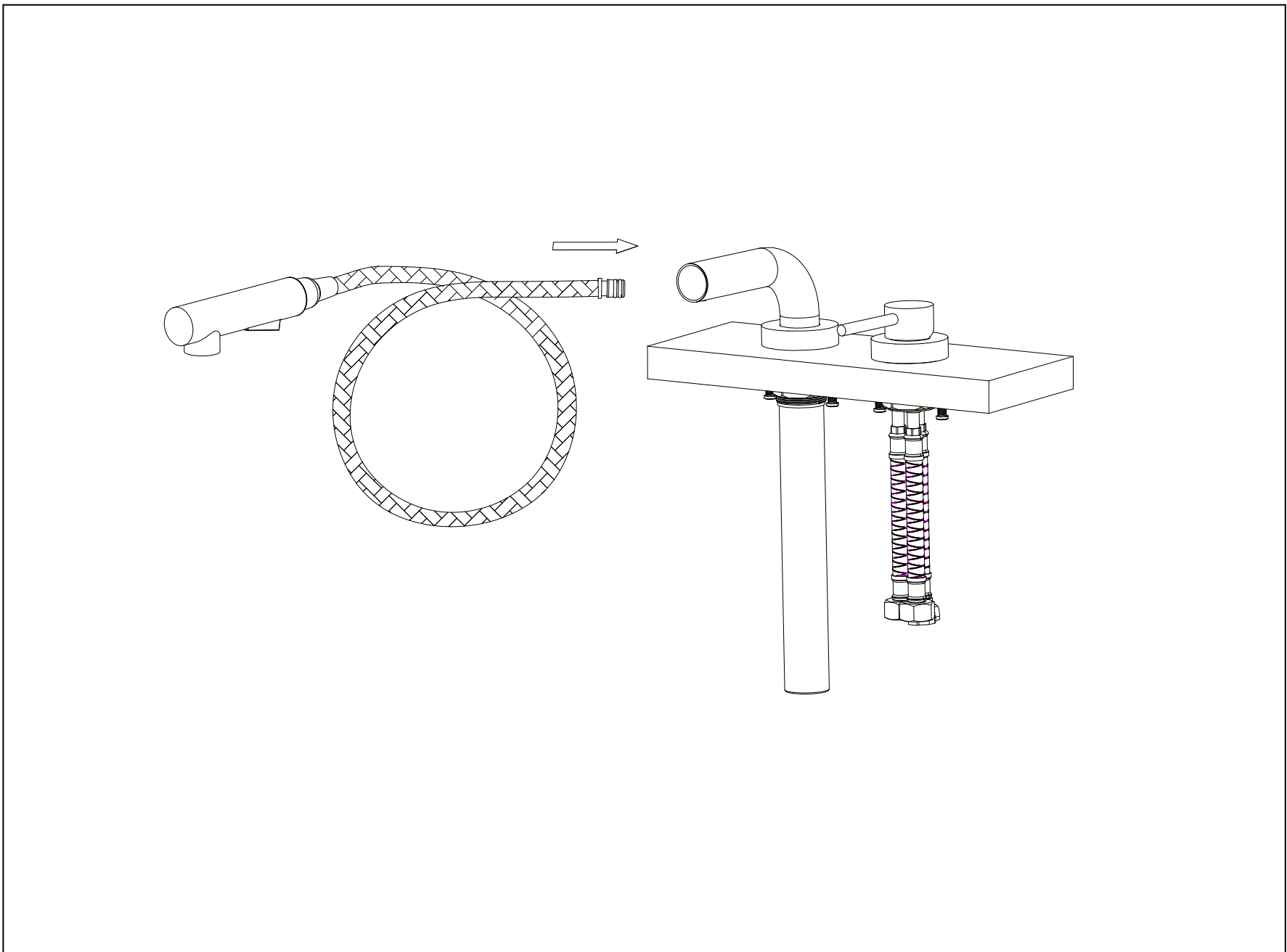
**5.4** Put the rubber o-ring into the bottom gap of faucets then insert faucet into faucet mounting hole and slide rubber washer and mounting bracket onto the thread shank from below the sink.



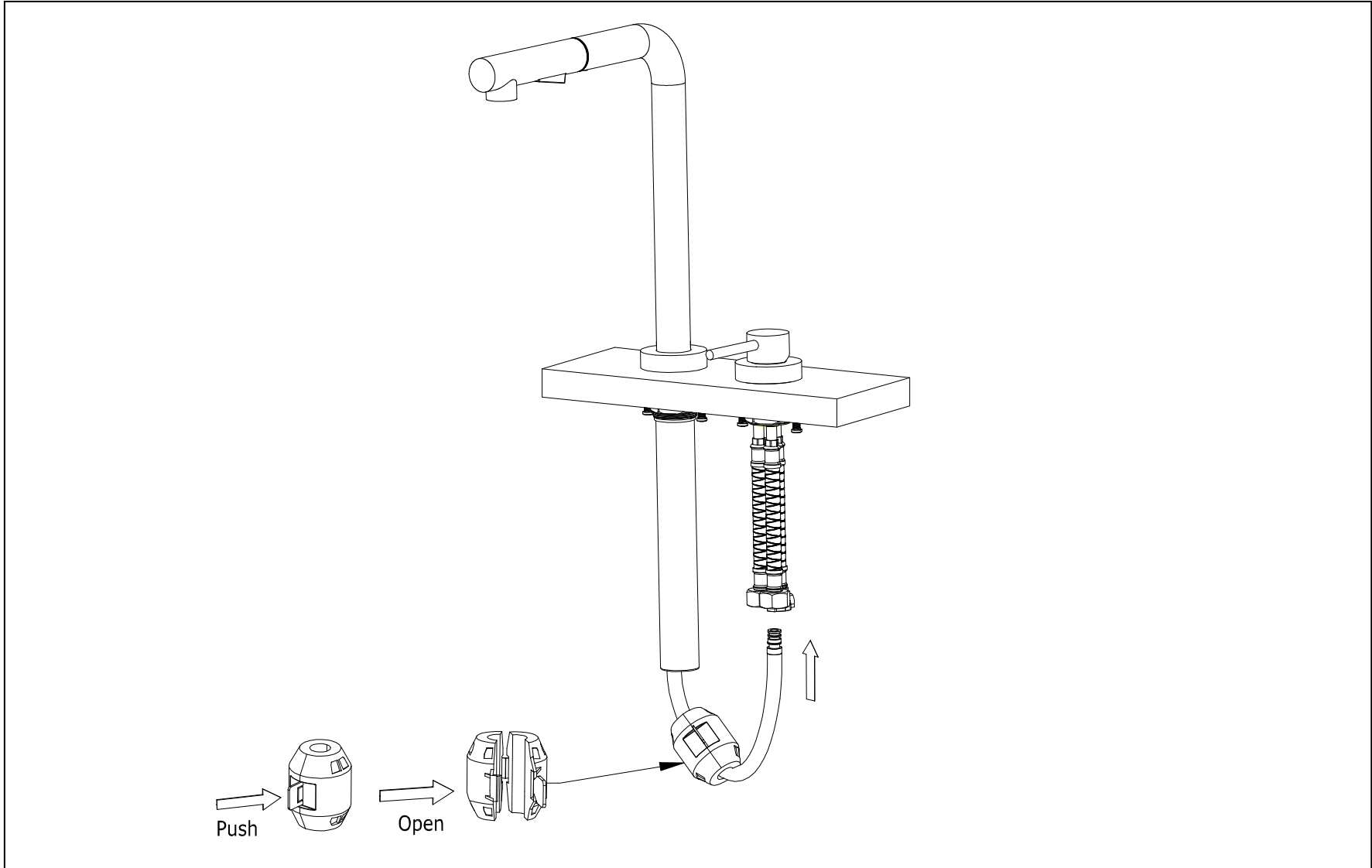
**5.5** Secure the faucet valve to the mounting deck with screws by Philips screwdriver.



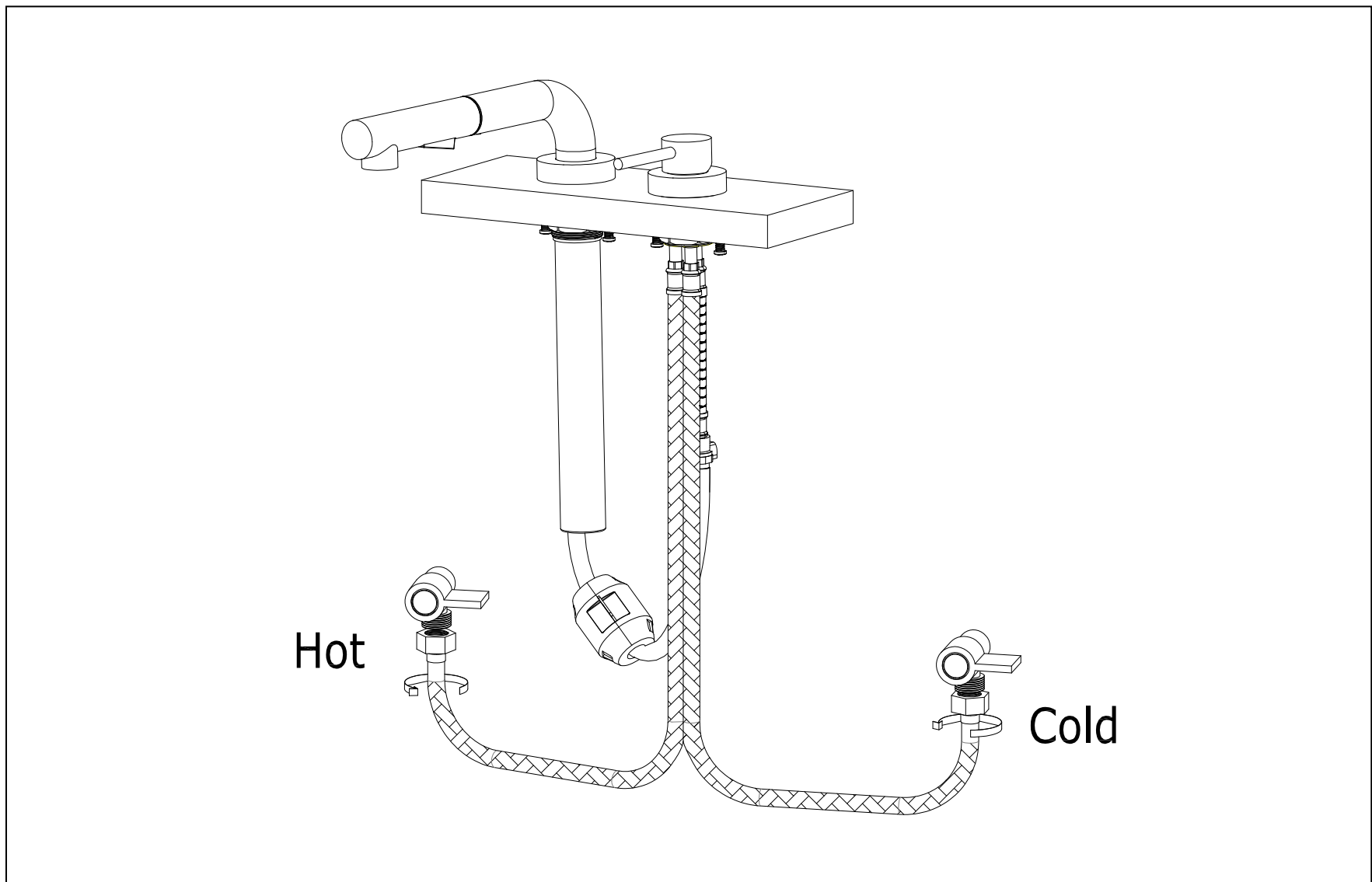
**5.6** Thread the pull-out kitchen sprayer hose through the faucet's spout tube.



5.7 Connect the sprayer hose to the mixer outlet hose connector, and then attach the heavy ball to sprayer hose.



5.8 Connect the hot and cold water hose from the faucet to each of the hot and cold supply valve; tighten the mounting nut by wrench.



## **6. INSPECTION**

6.1 Turn on hot and cold water supply and check all connection for ensuring no leaking anywhere.

## **INSTALL FINISH**

## CLEARNING RECOMMENDATION FOR SUMERAIN PRODUCTS

Modern lavatory faucets, kitchen faucets, and showers consist of very different materials to comply with the needs of the market with regard to design and functionality. To avoid damage and returns, it is necessary to consider certain criteria when cleaning.

### Cleaning Materials for faucets and showers

Acids are a necessary ingredient of cleaning materials for removing lime, however please pay attention to the following points when cleaning faucets and showers:

- Only use cleaning materials which are explicitly intended for this type of application.
- Never use cleaning materials which contain hydrochloric, formic, phosphoric, or acetic acid, as they cause considerable damage.
- Never mix one cleaning material with another.
- Never use cleaning materials or appliances with an abrasive effect, such as unsuitable cleaning powders, sponge pads, or micro fiber cloths.

### Cleaning instructions for faucets and showers

Please follow the cleaning material manufacturer's instructions. In addition, pay attention to the following points:

- Clean the faucets and showers as and when required.
- Use the amount of cleaning product and the amount of time recommended by the manufacturer. Do not leave the cleaner on the fixture longer than necessary.
- Regular cleaning can prevent calcification, if scale deposits are noticed on the faucet surface or the spout, you can clean it by a commercial limescale remover, such as Lime-Away® or CLR®. Dilute the remover according to the label instructions.
- The faucets might have some rusty if your faucet under hard water condition, please rub it with aluminum foil dipped in water until the surface is nice and smooth, and wipe it use a small amount of chrome polish or maybe something like car wax (such as Meguiar®, Turtle Wax®) or polish.
- For stainless steel faucet and spout both made of solid stainless, normally this finish has not protective coating on it (in particular waterfall spout inside), stainless steel is by its material nature very tarnish resistant, but by no means tarnish or stain proof. This finish might oxidize naturally over time and react to its environment. Keep your stainless fixture wiped clean and dry and use only a cleaner specifically made for stainless steel (such as Weiman®, CLR®).
- When using spray cleaners, spray first onto a soft cloth or sponge, never spray directly onto the faucet as droplets can enter openings and gaps and cause damage.
- After cleaning, rinse thoroughly with clean water to remove any cleaner residue.

### Important

Residues of liquid soaps, shampoos, and shower foams can also cause damage, so rinse with clean water after using.



**Please note:** if the surface is already damaged, the effect of cleaning materials will cause further damage.

**Components with damaged surfaces must be replaced or injury could result.**

**Damage caused by improper treatment is not covered under the warranty.**

# SUMERAIN®

### SUMERAIN INTERNATIONAL GROUP INC

**Address:** 1226 NORTH KING ST NUM 522  
WILMINGTON, DE 19801  
United States

**Tel:** +1(866)203-0866

**Web:** <http://www.sumerain.com>

**E-mail:** [supports@sumerain.us](mailto:supports@sumerain.us)

### HONGKONG SUMERAIN SANITARY INDUSTRY CO., LIMITED

**Address:** FLAT/RM 3B 3/F BANK TOWER  
NOS.351&353 KING'S ROAD  
NORTH POINT  
HK  
**Tel:** +86-750-2731579

**E-mail:** [supports@sumerain.com](mailto:supports@sumerain.com)

### SUMERAIN EUROPE SUPPORT

**Address:** Flottwellstr. 15  
10785 Berlin,  
Deutschland

**Tel:** +49 (0)30/23975898

**E-mail:** [de@sumerain.com](mailto:de@sumerain.com)