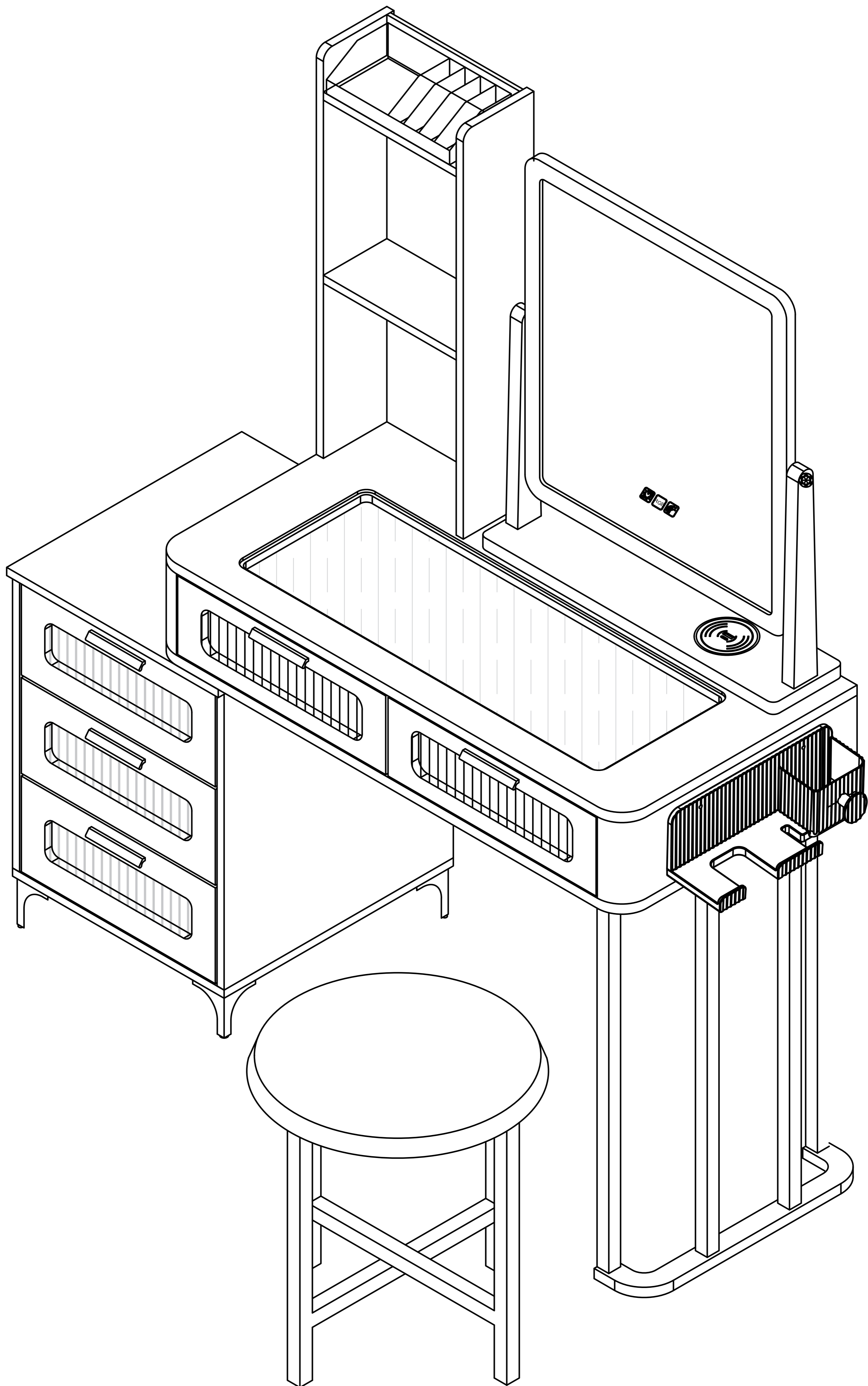
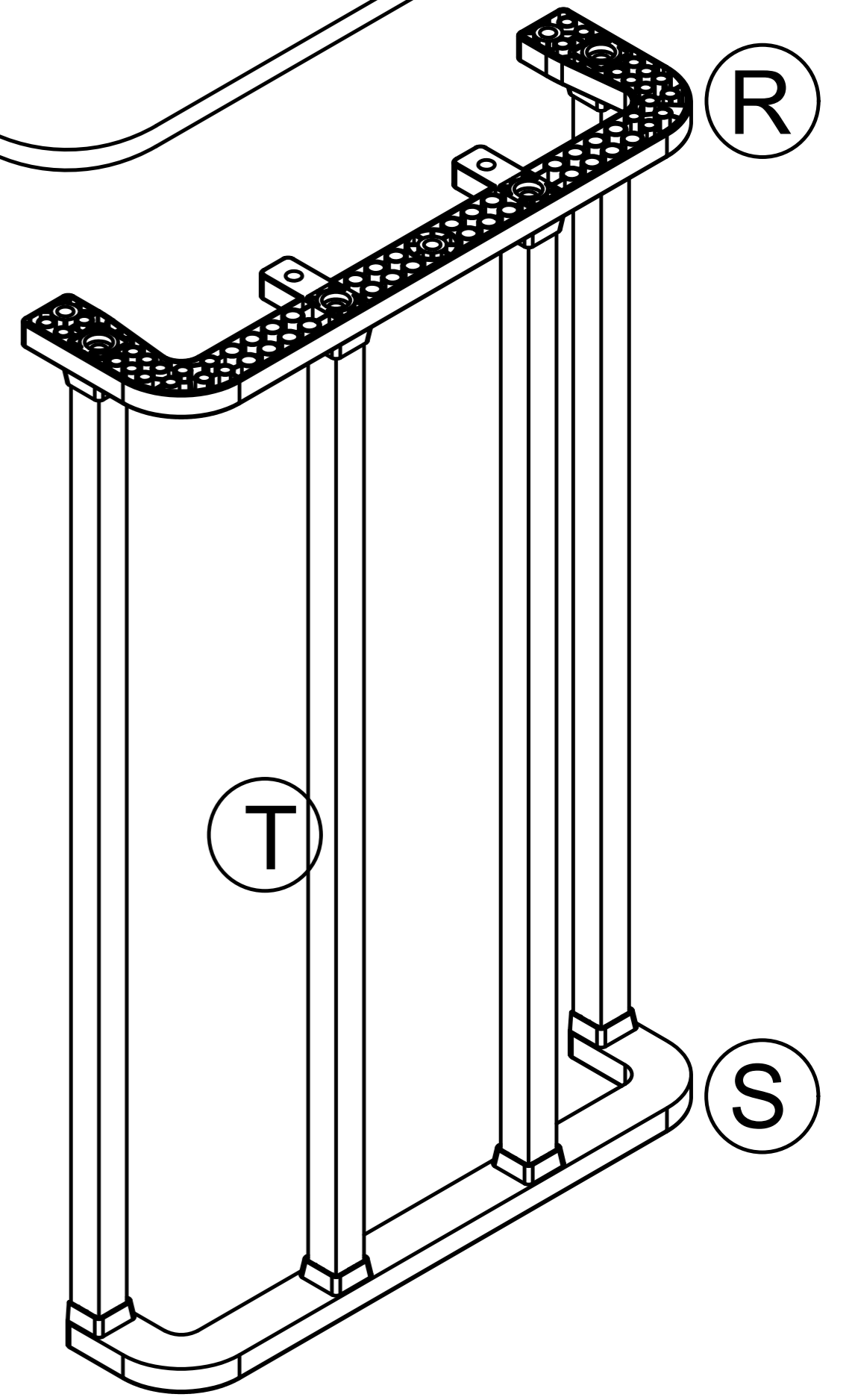
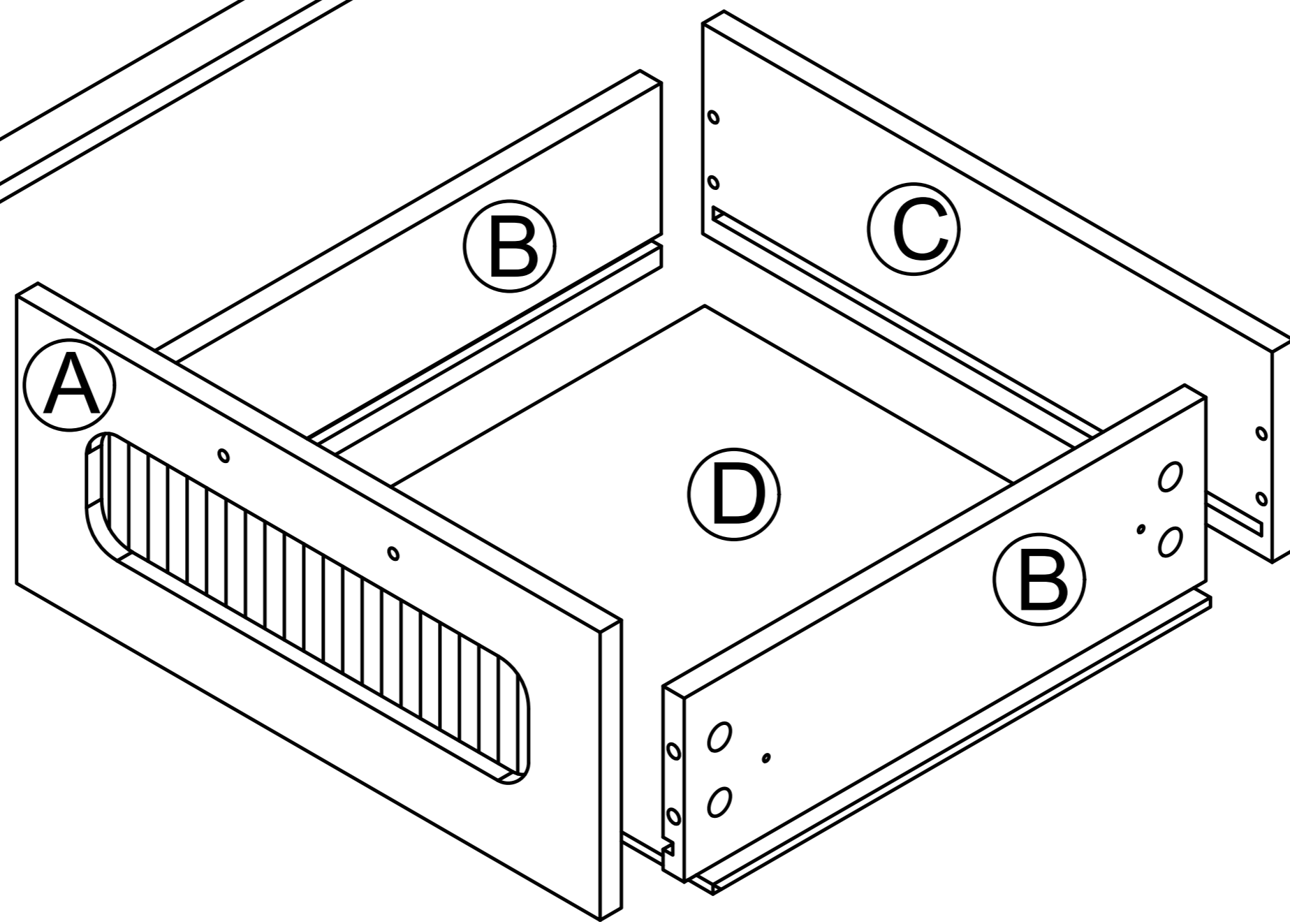
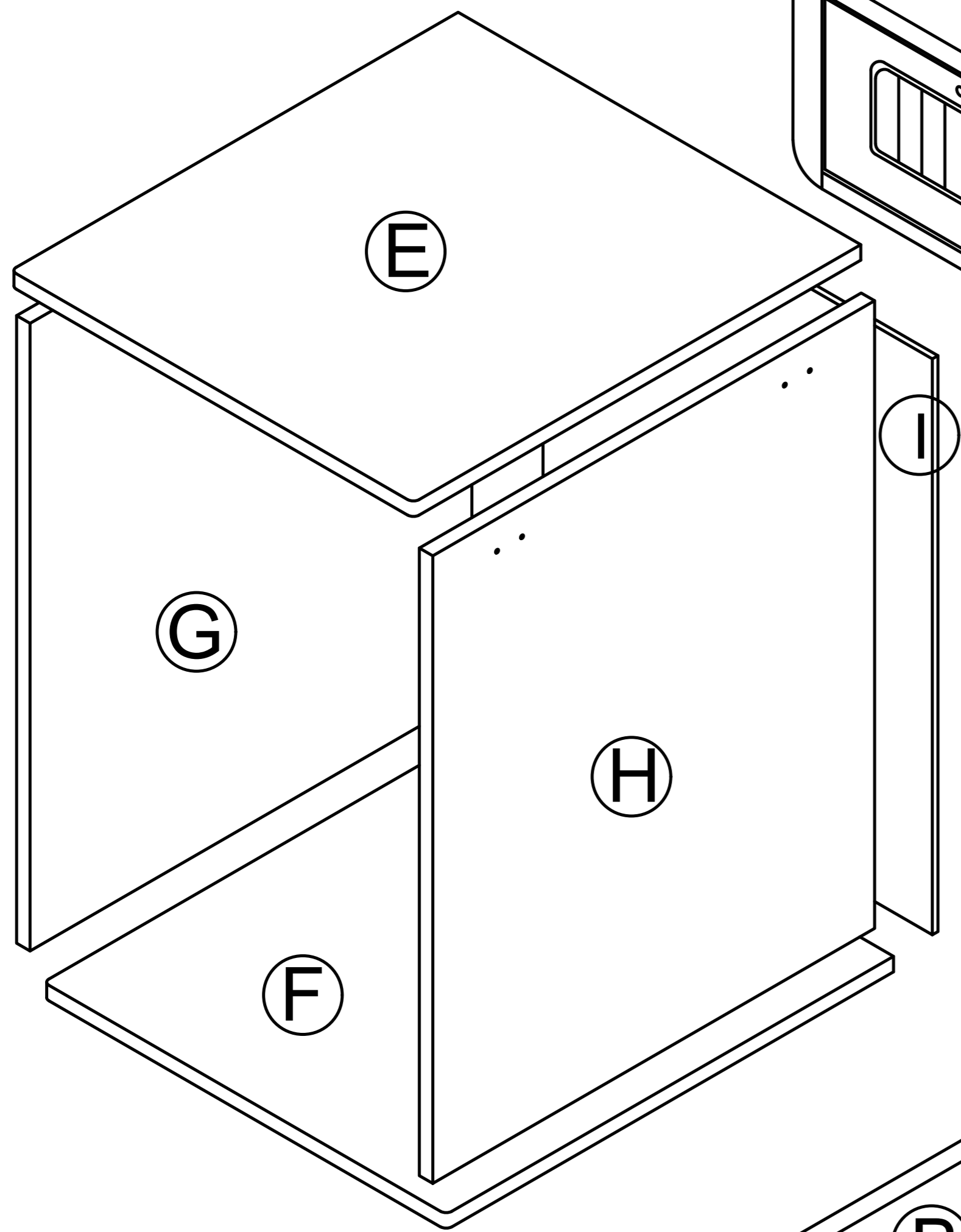
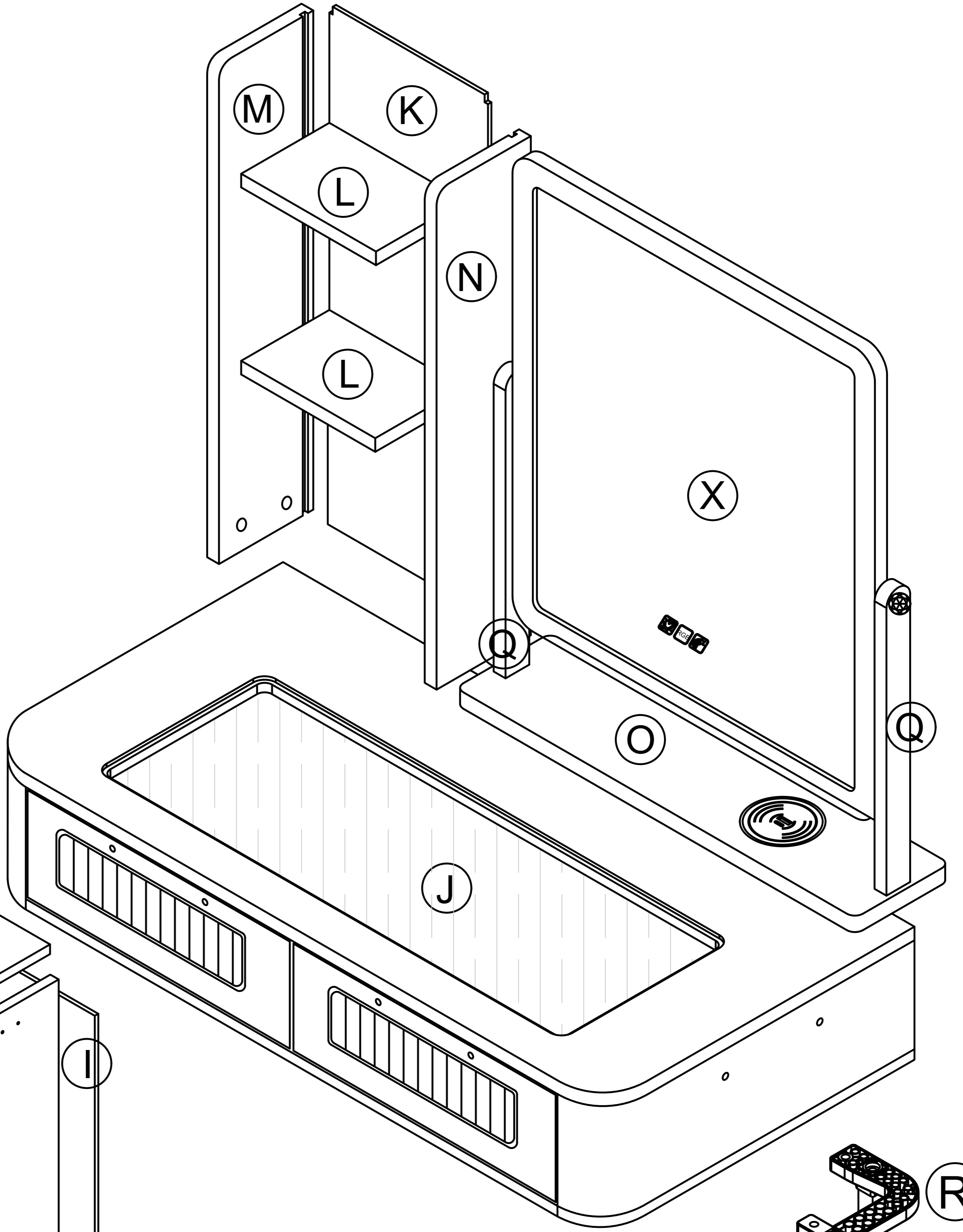
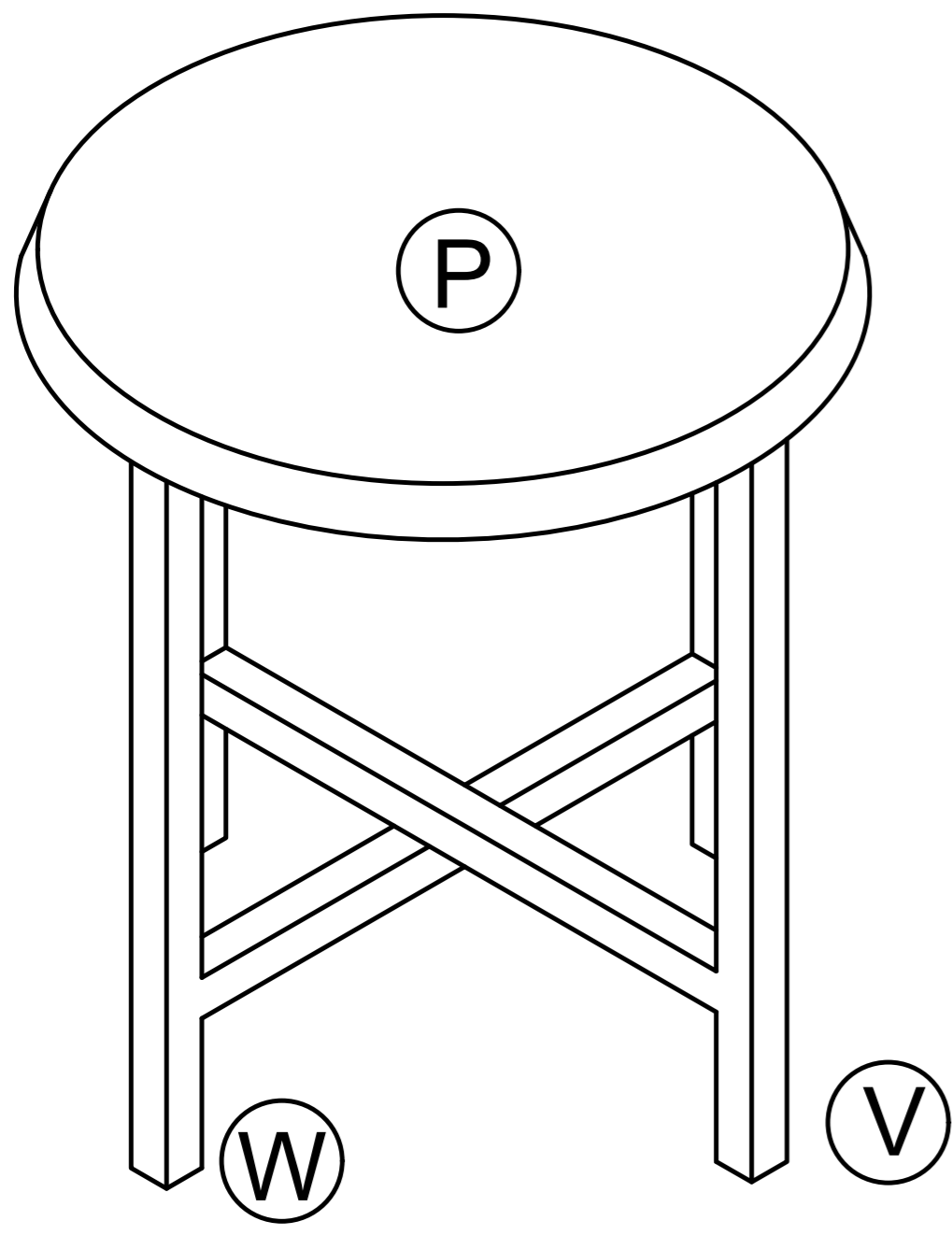
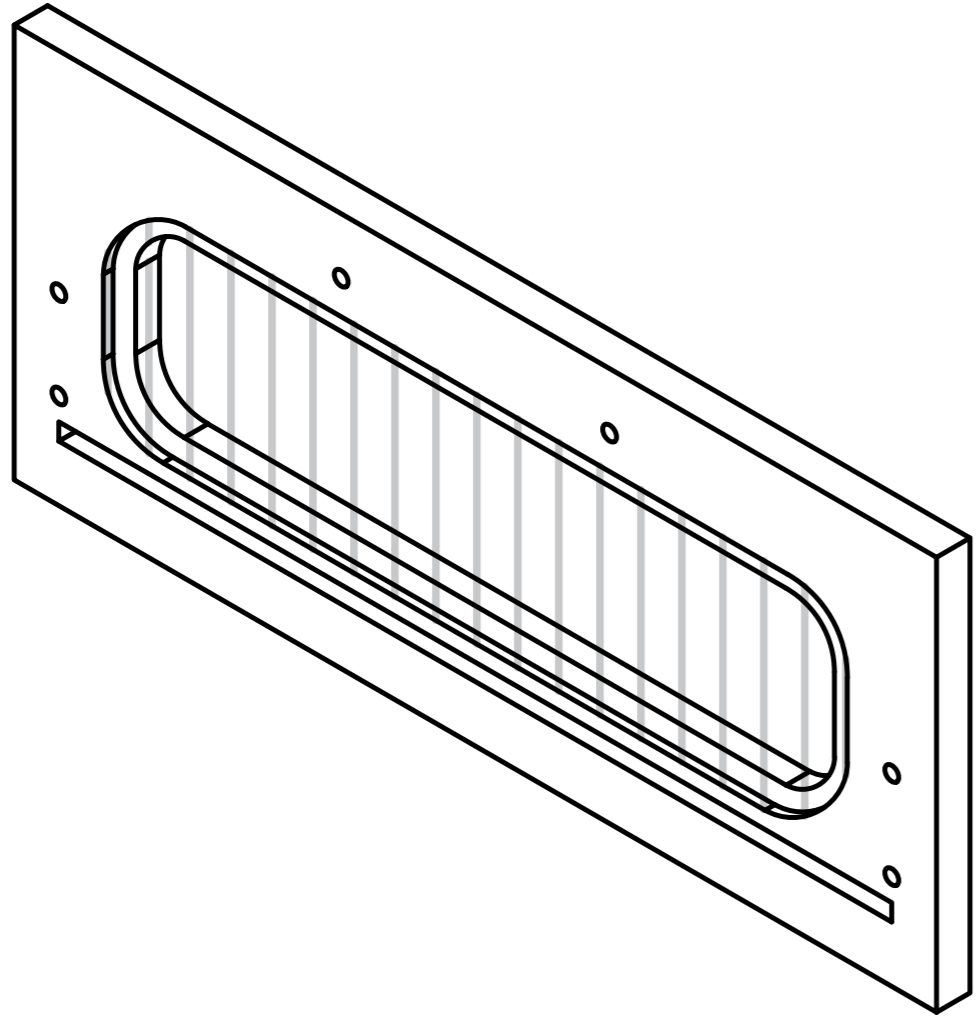


Vanity Table Manual



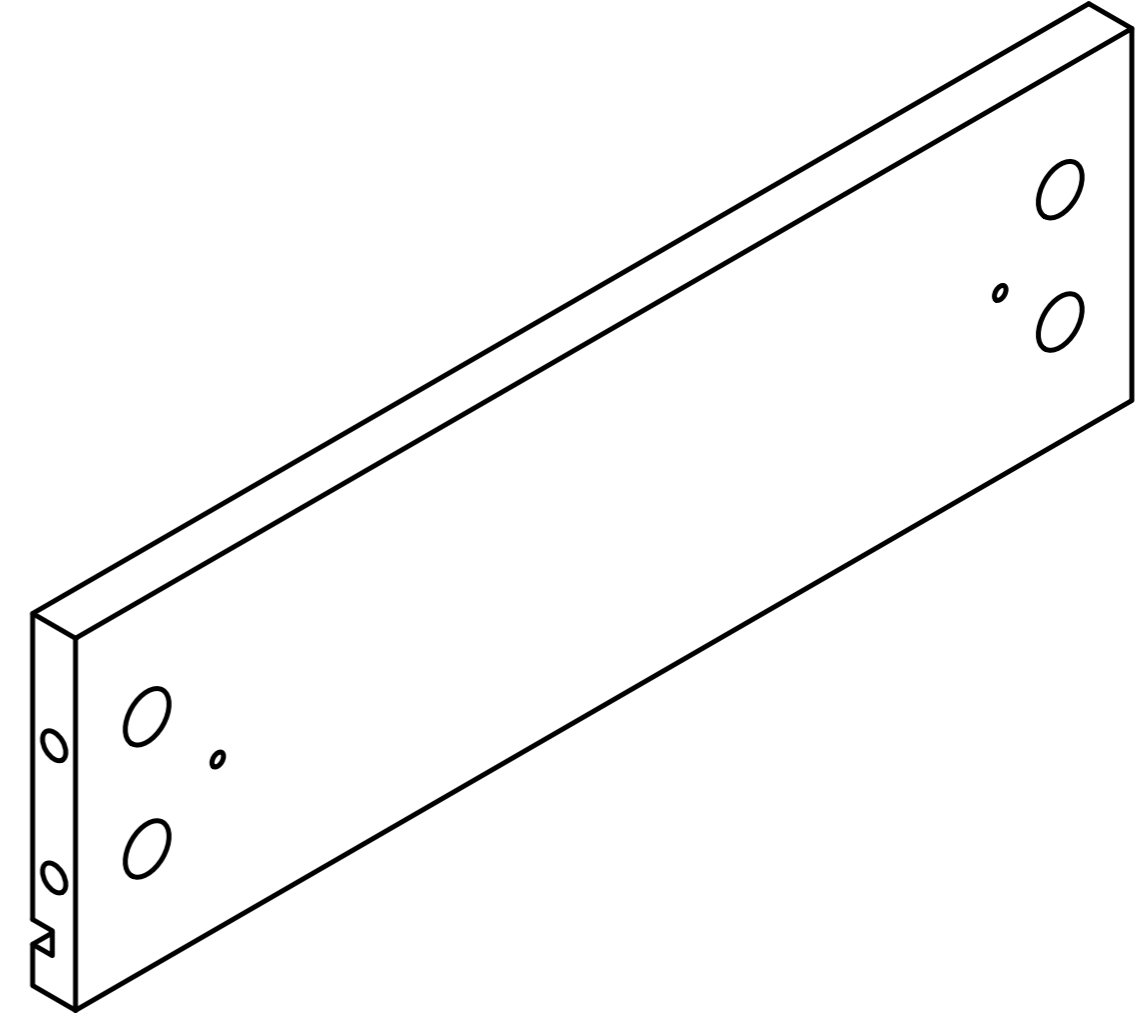


Ax3



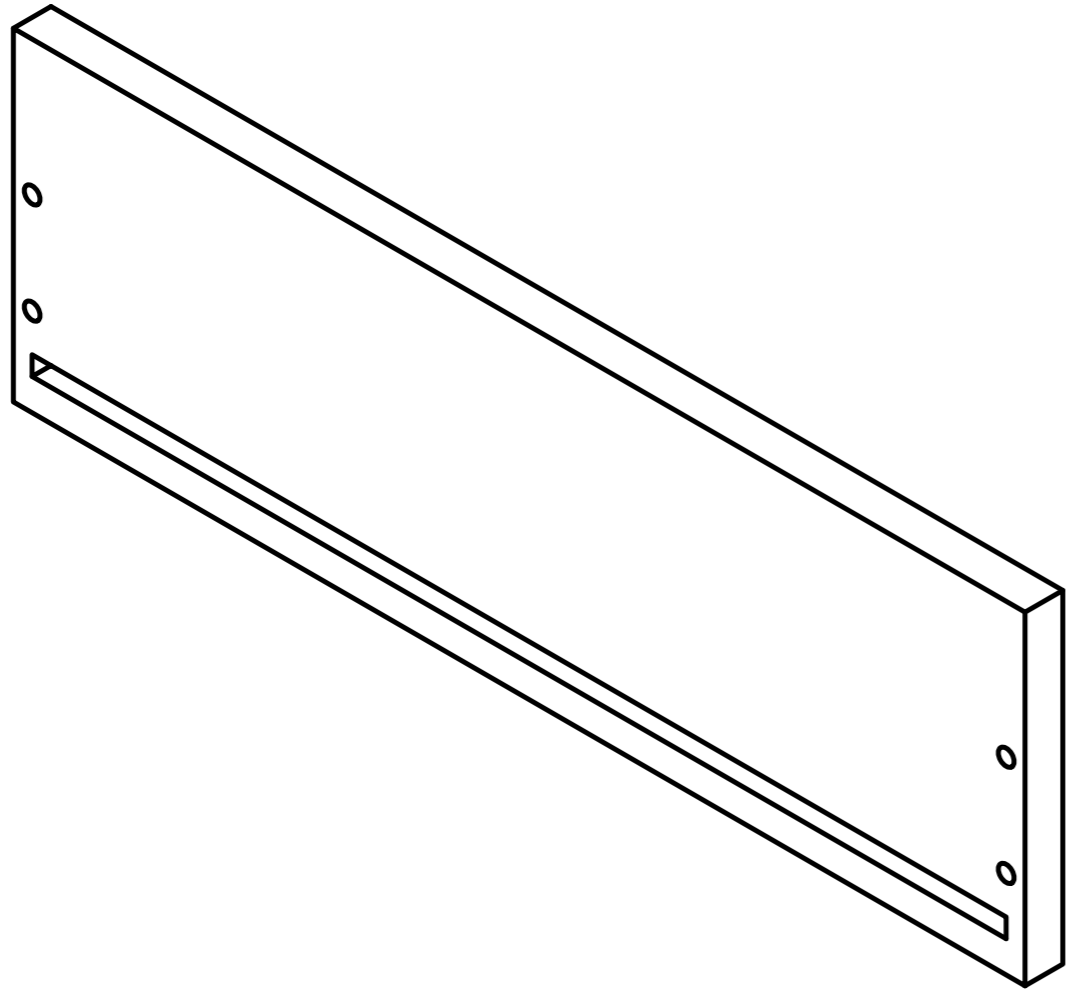
330x157x12

Bx6



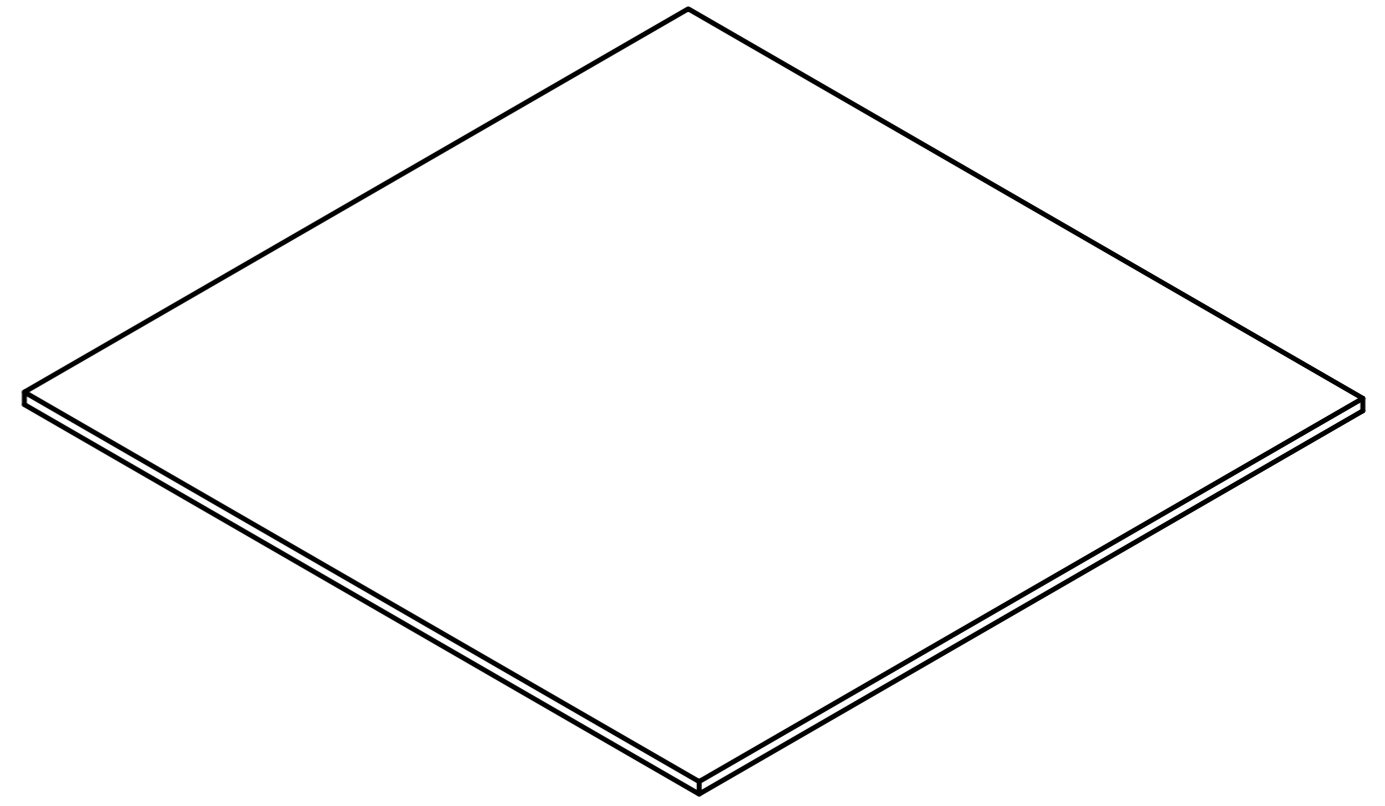
295x80x12

Cx3



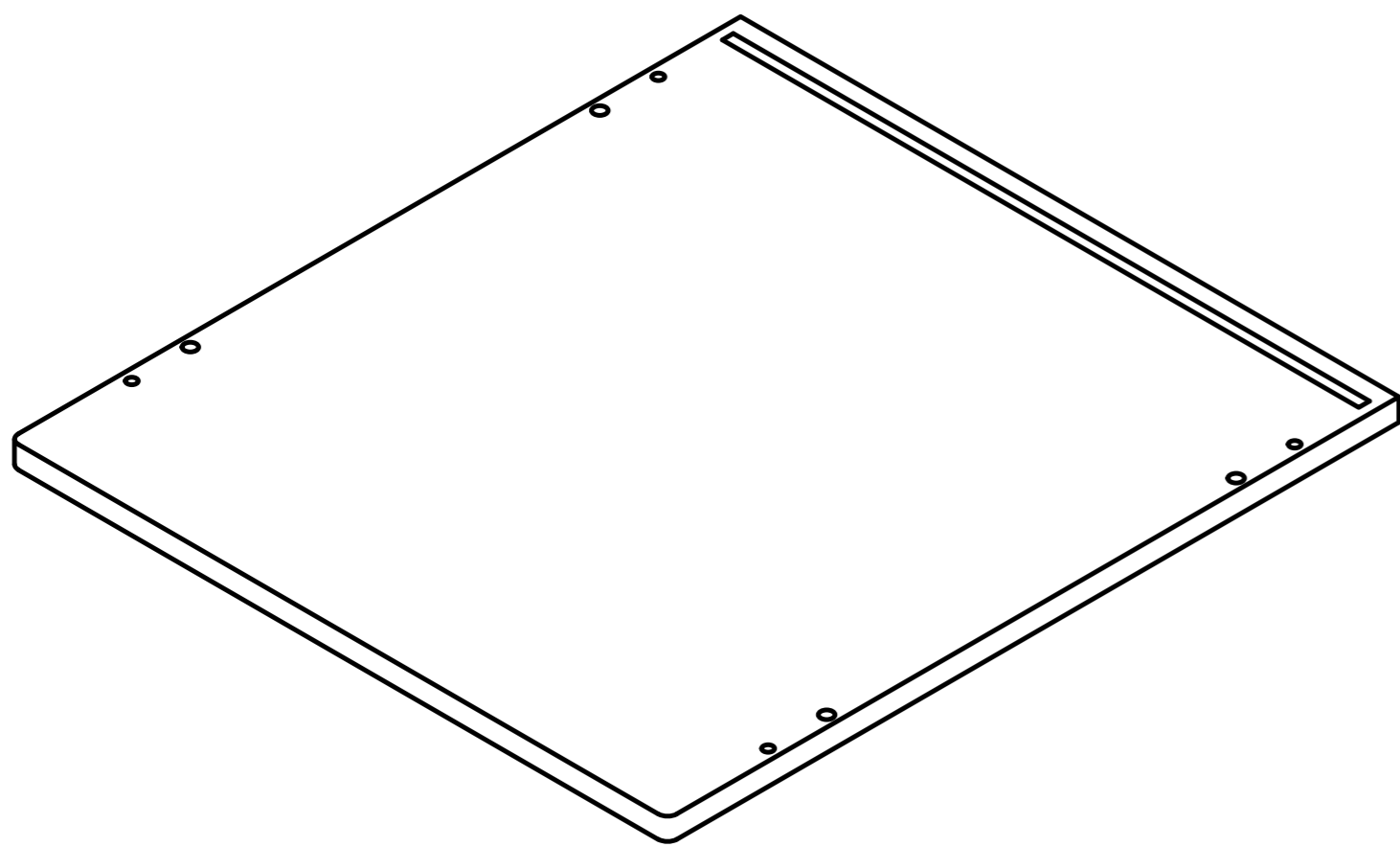
322x95x12

Dx3



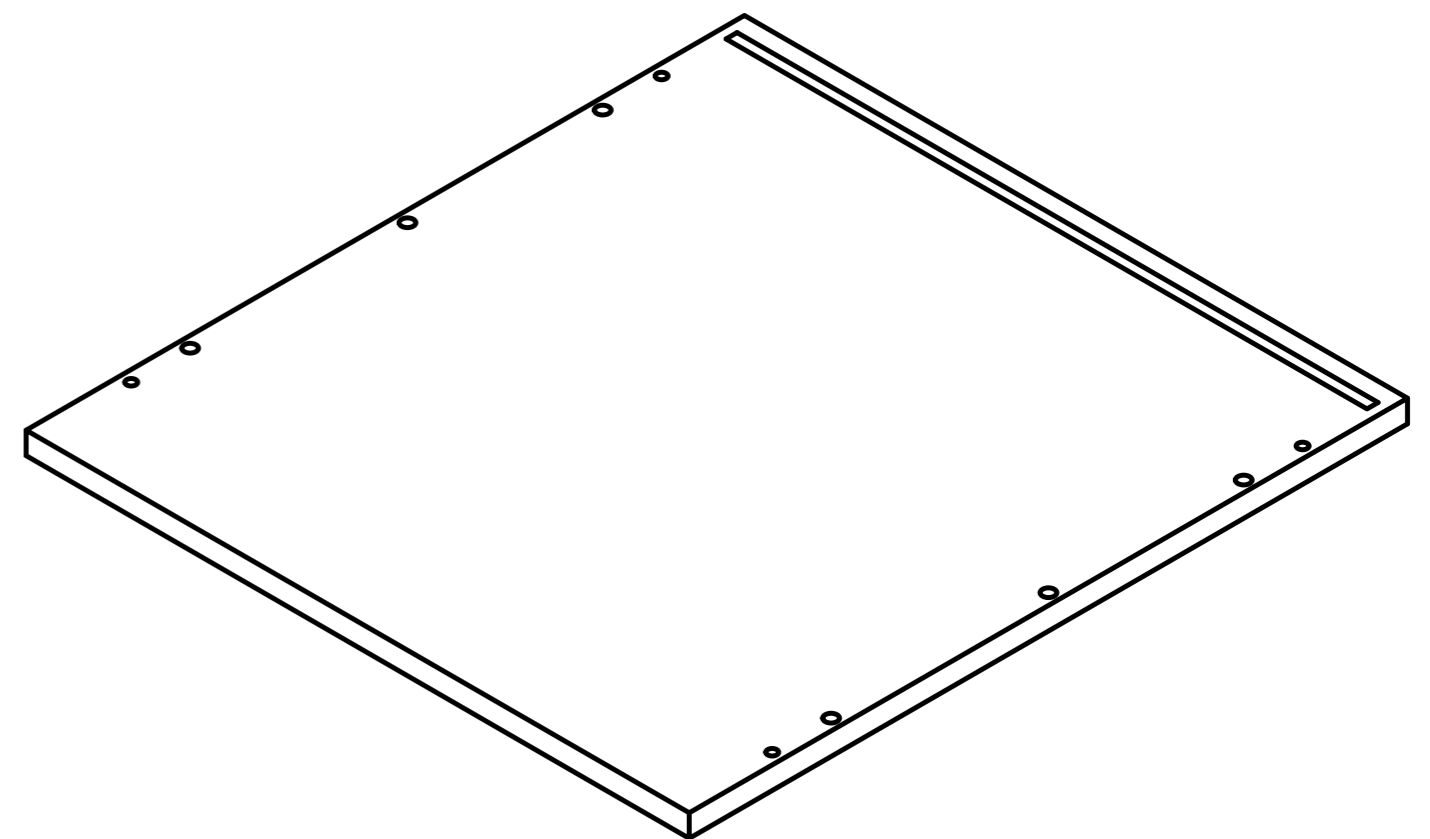
310x305x4

Ex1



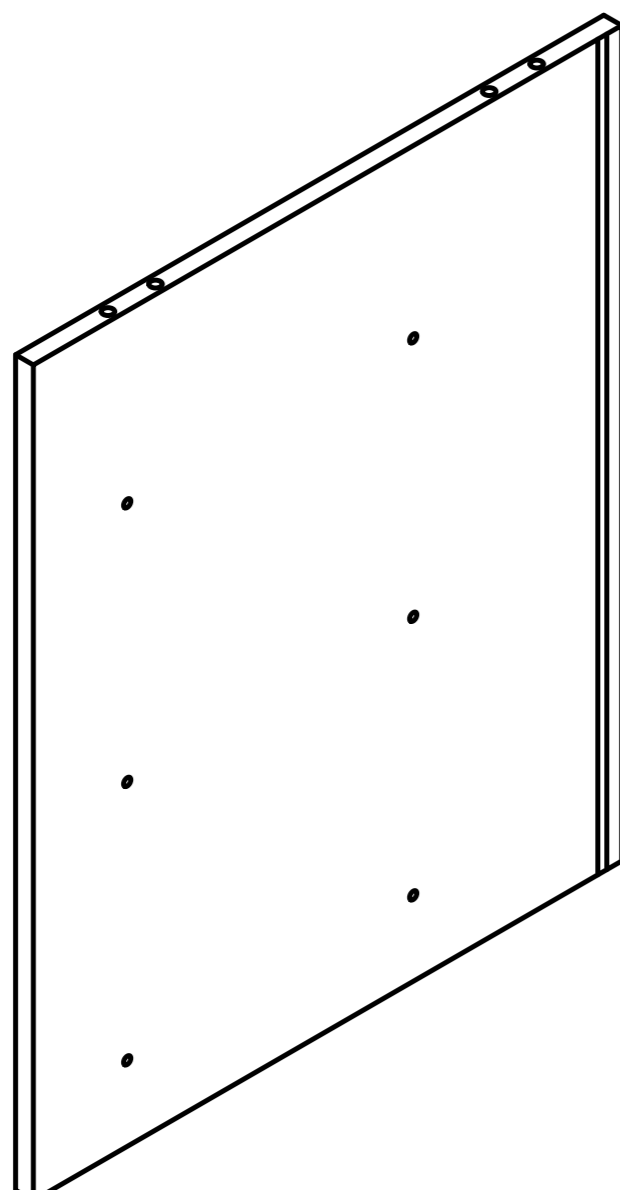
398x360x12

Fx1



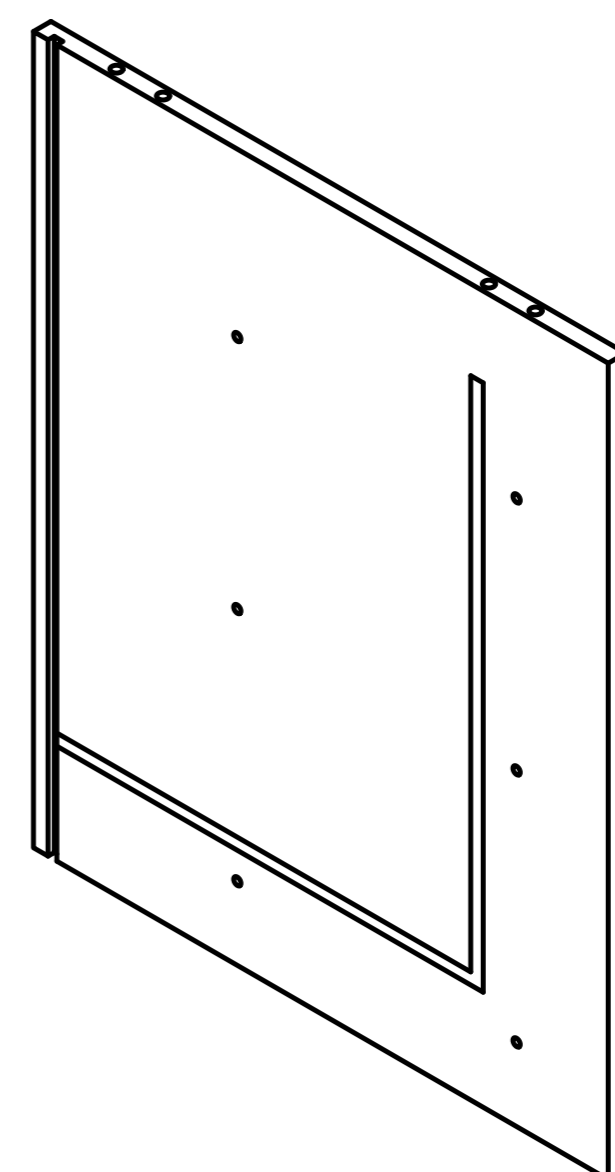
393x360x12

Gx1



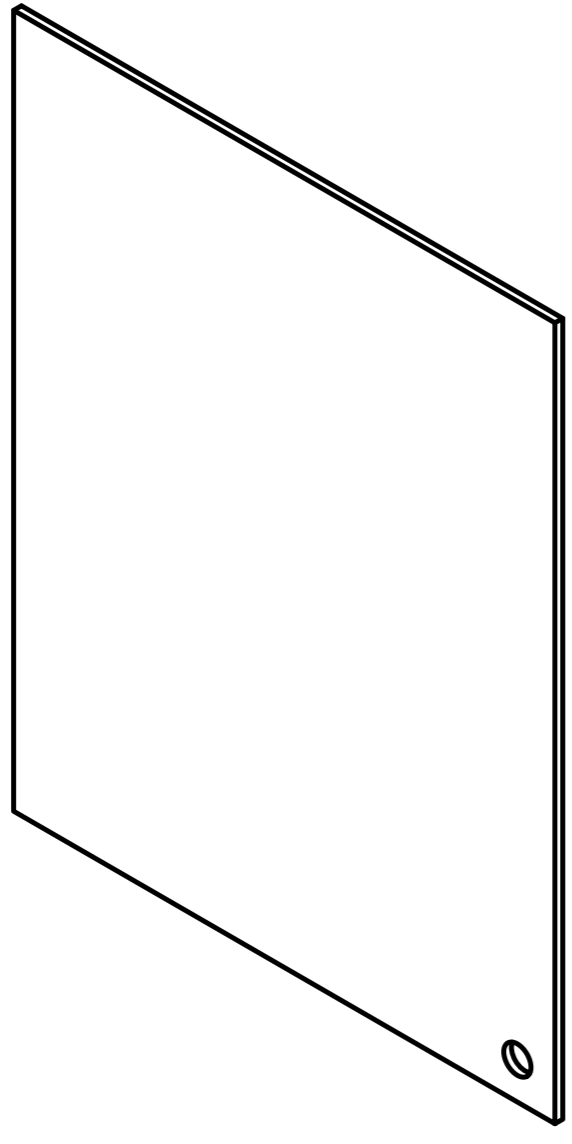
486x393x12

Hx1



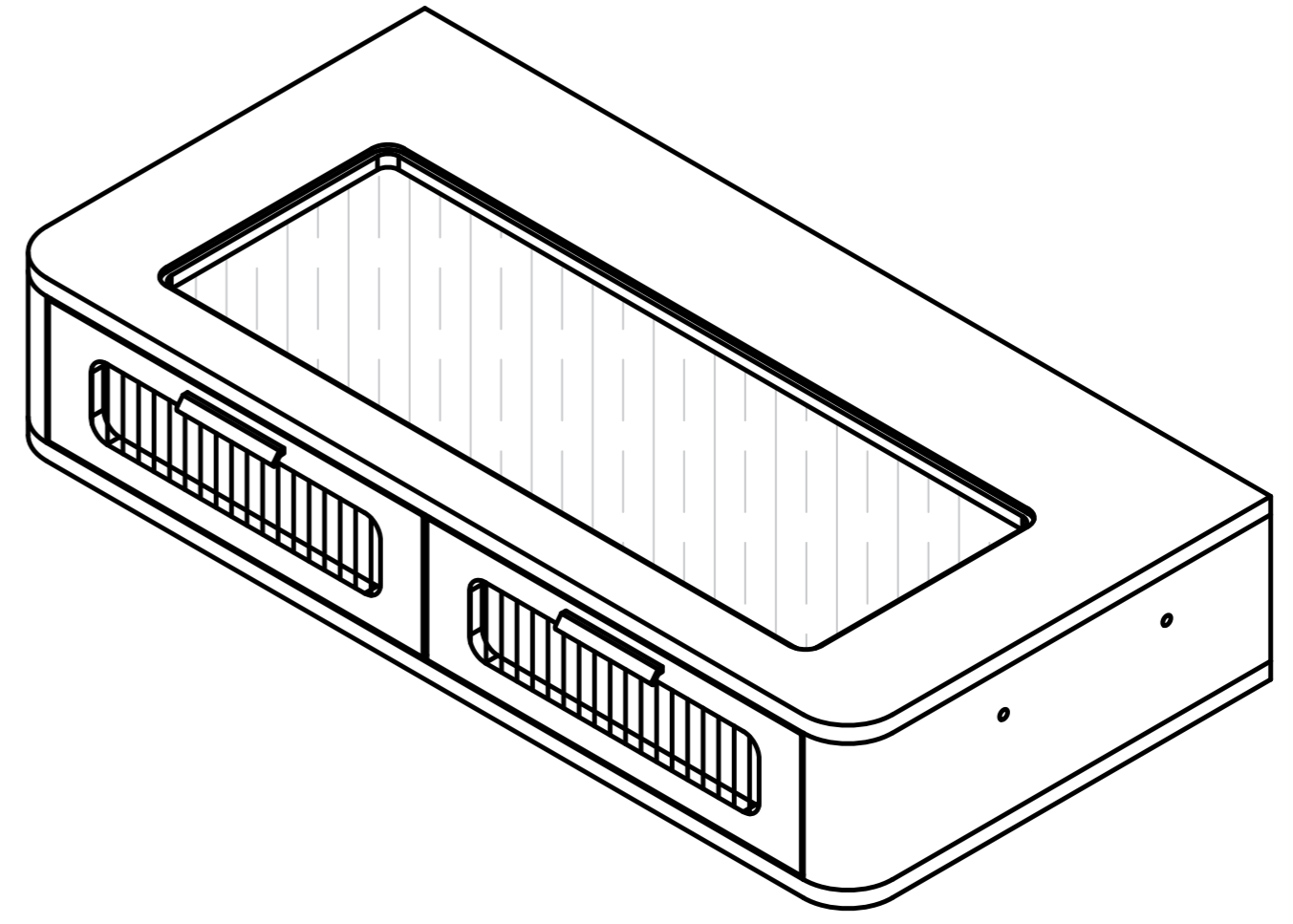
486x393x12

Ix1



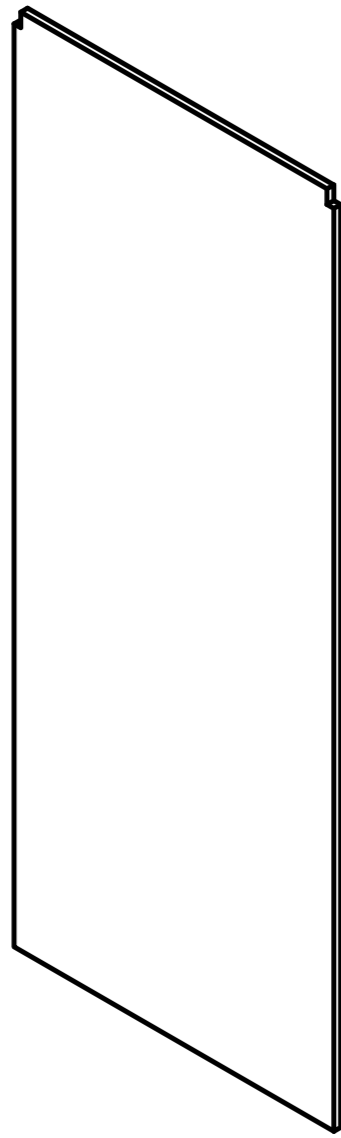
494x342x4

Jx1



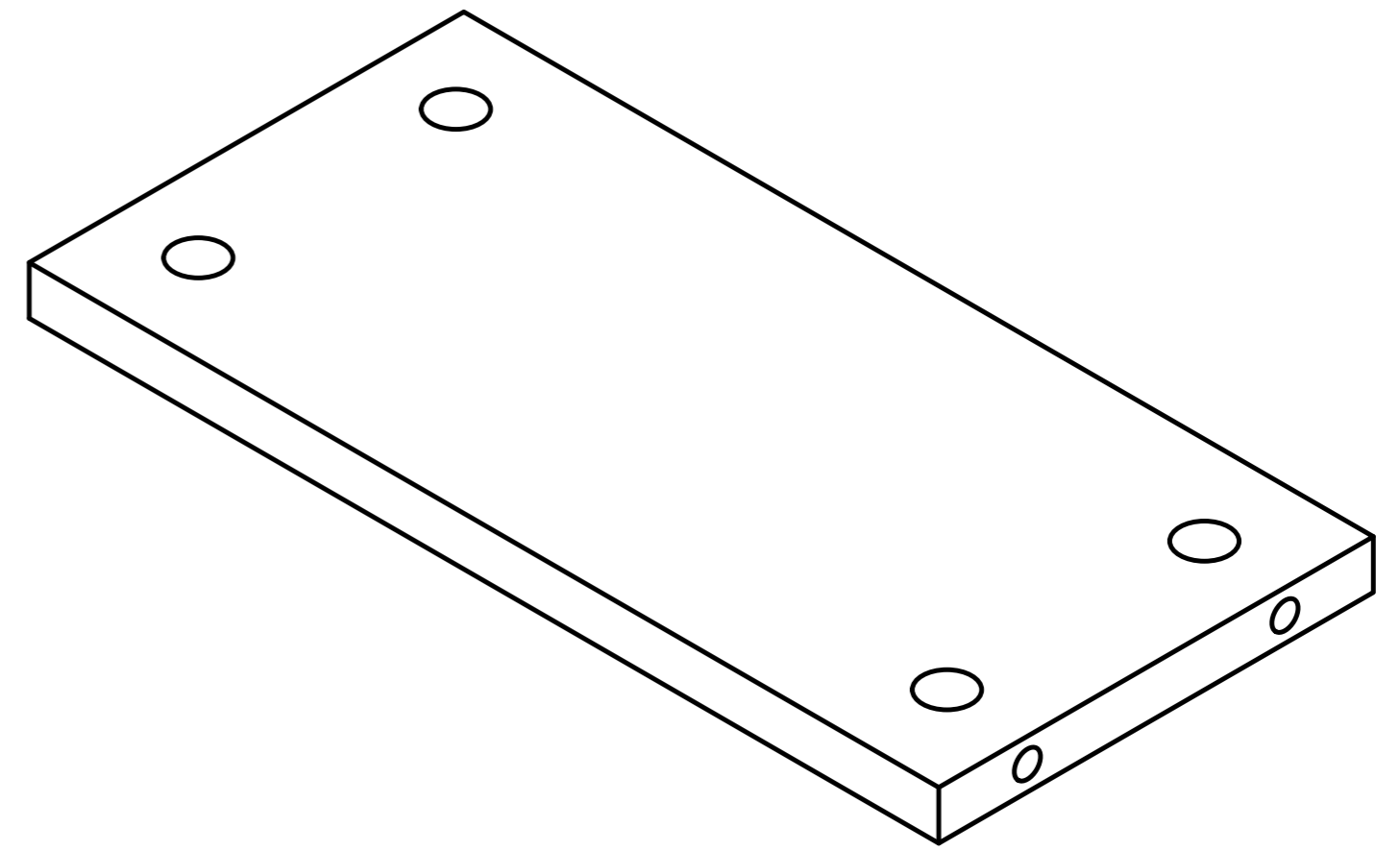
798x398x150

Kx1



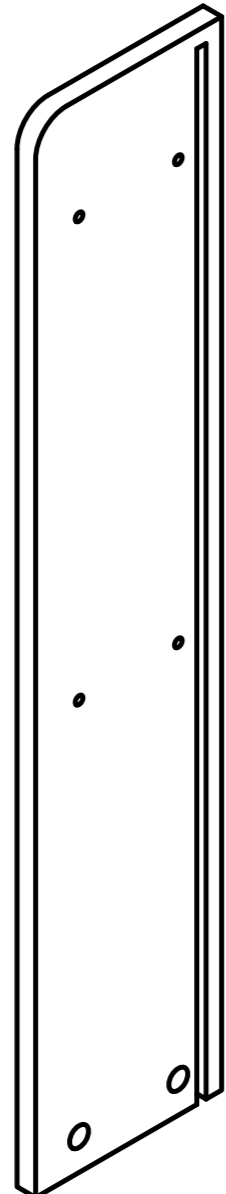
600x235x4

Lx2



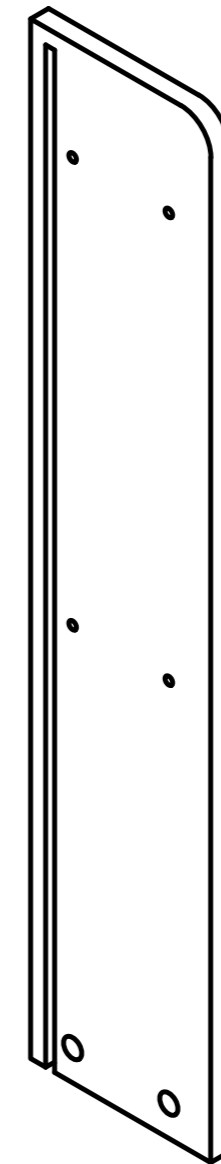
224x108x12

Mx1



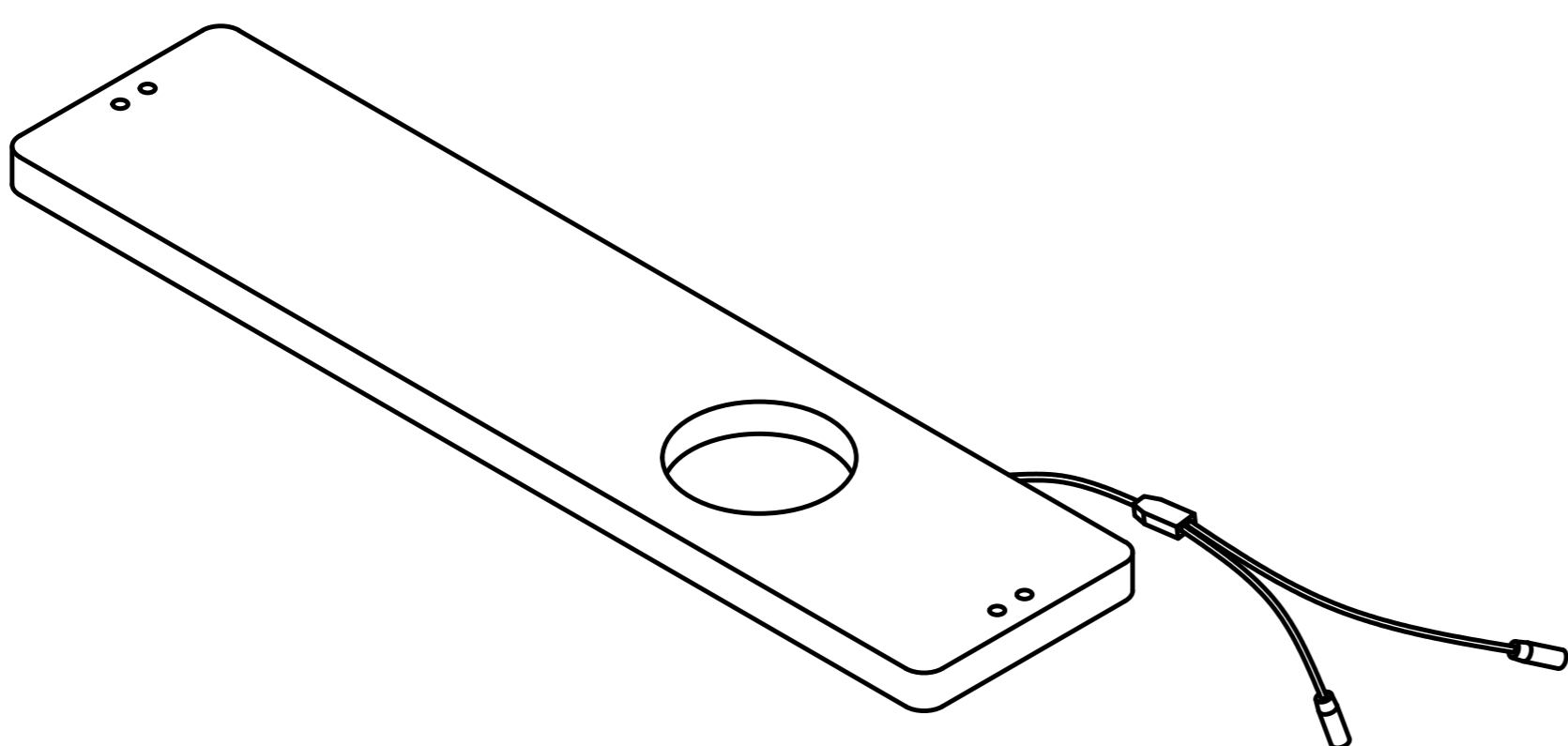
598x123x12

Nx1



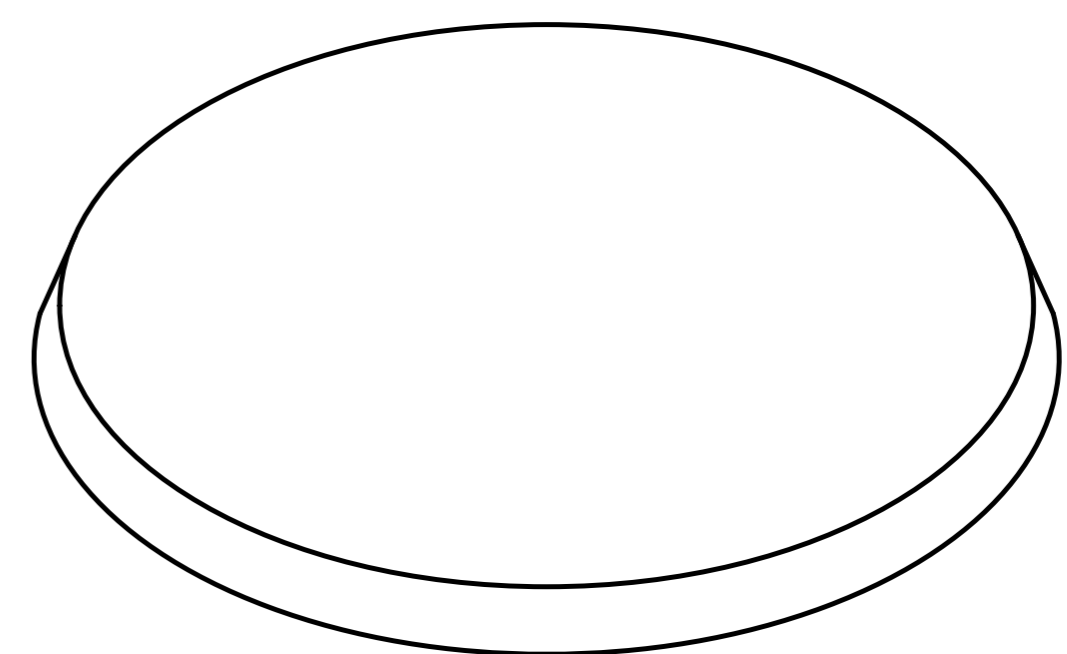
598x123x12

Ox1



503x118x12

Px1



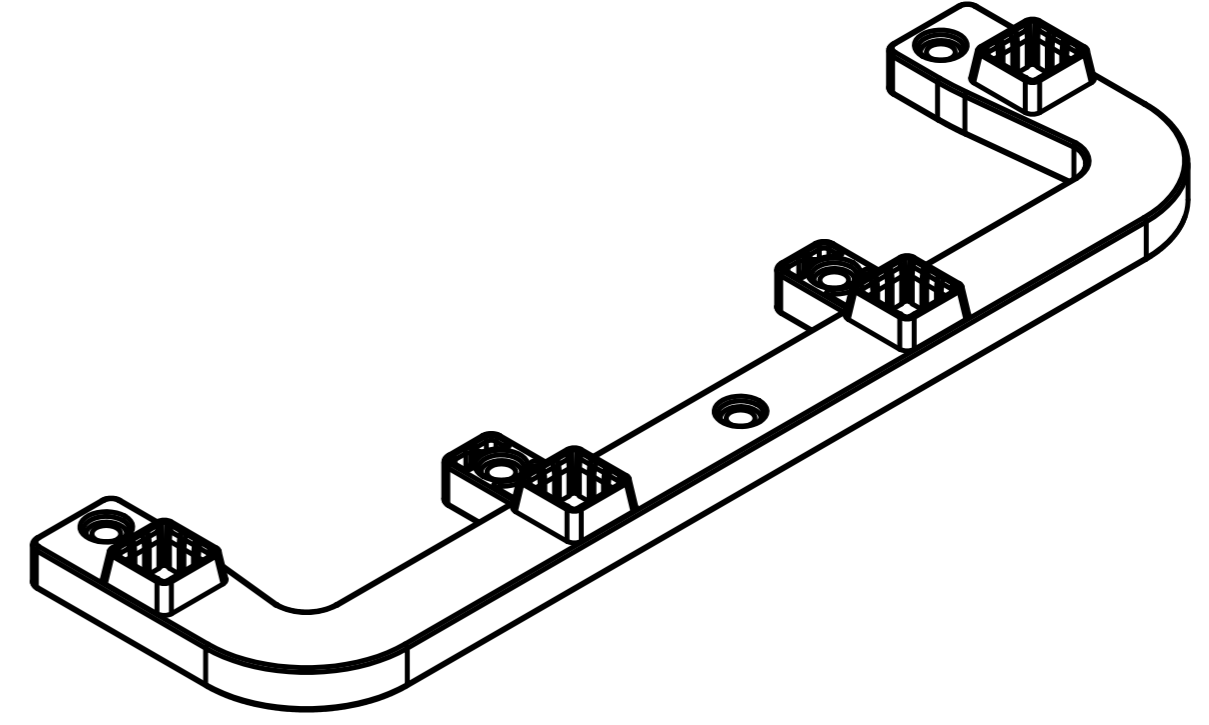
380x380x12

Qx2



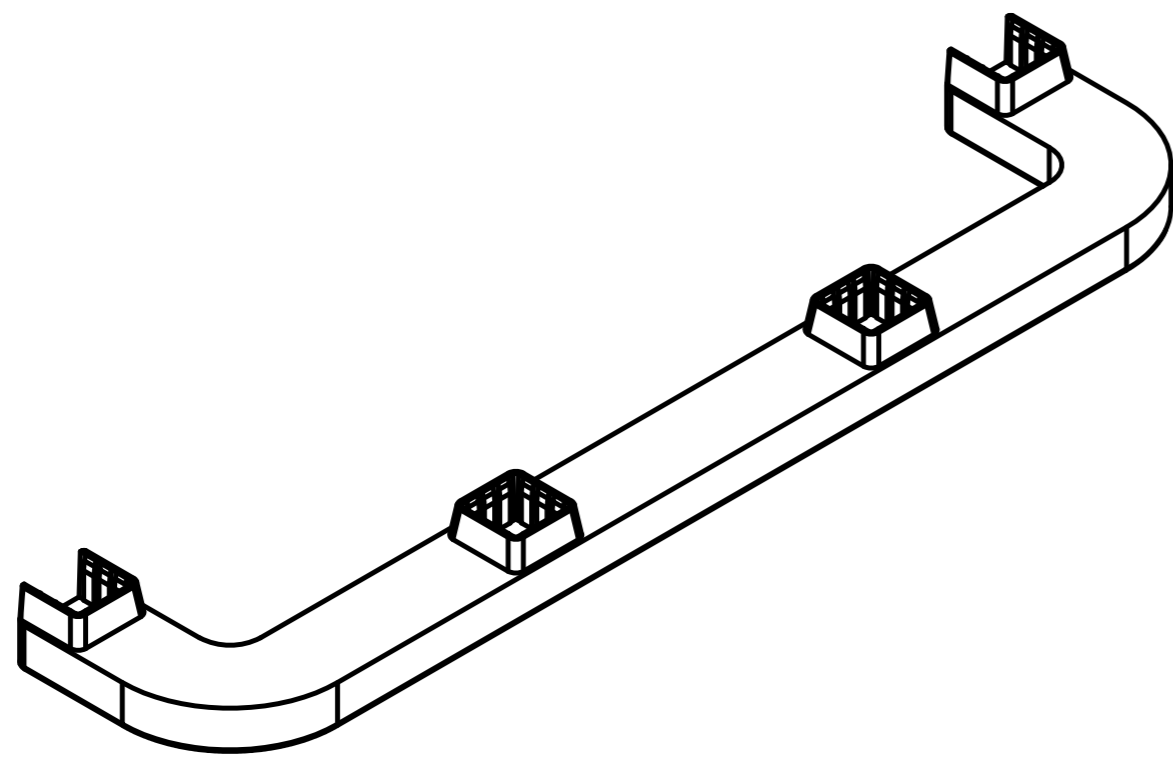
Approximately
330x30x15

Rx1



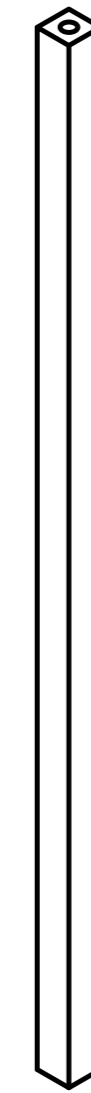
390x116x35

Sx1



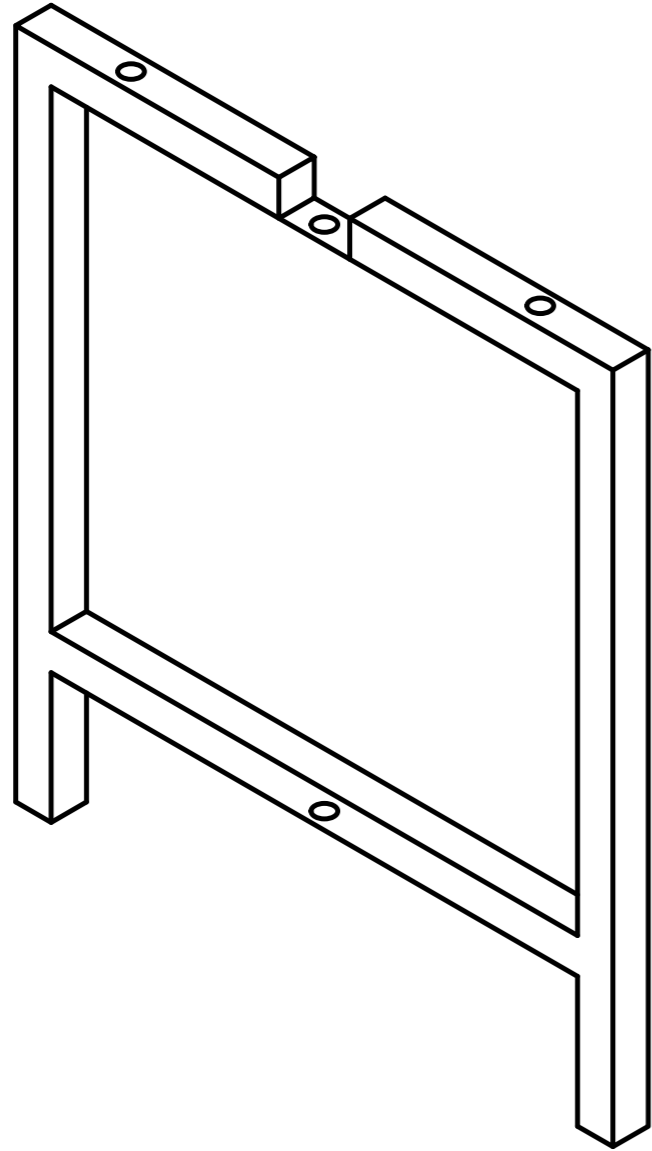
390x116x22

Tx4



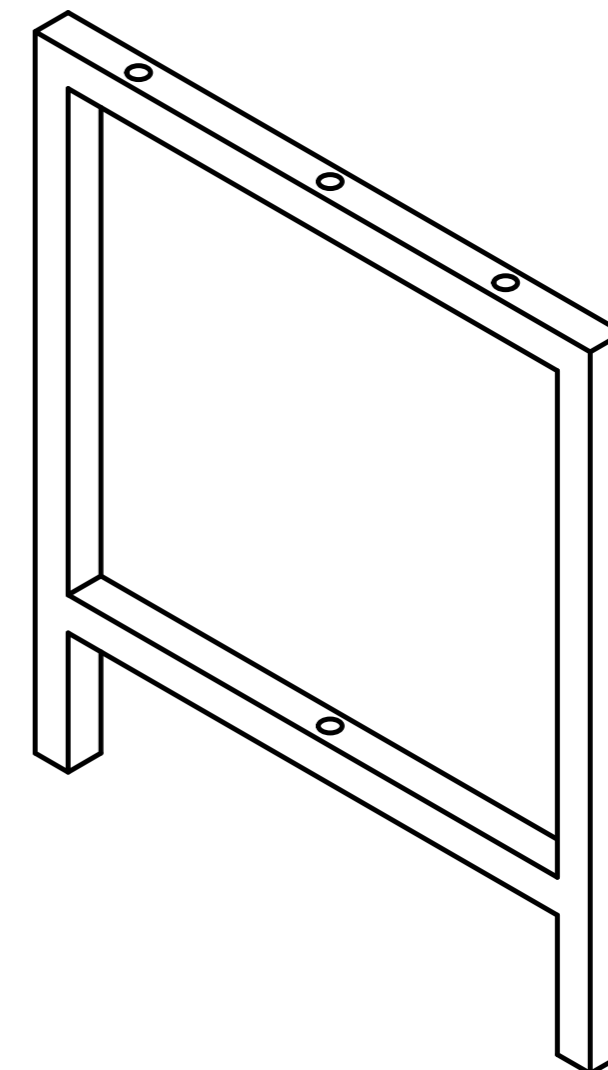
Approximately
580x20x20

Vx1



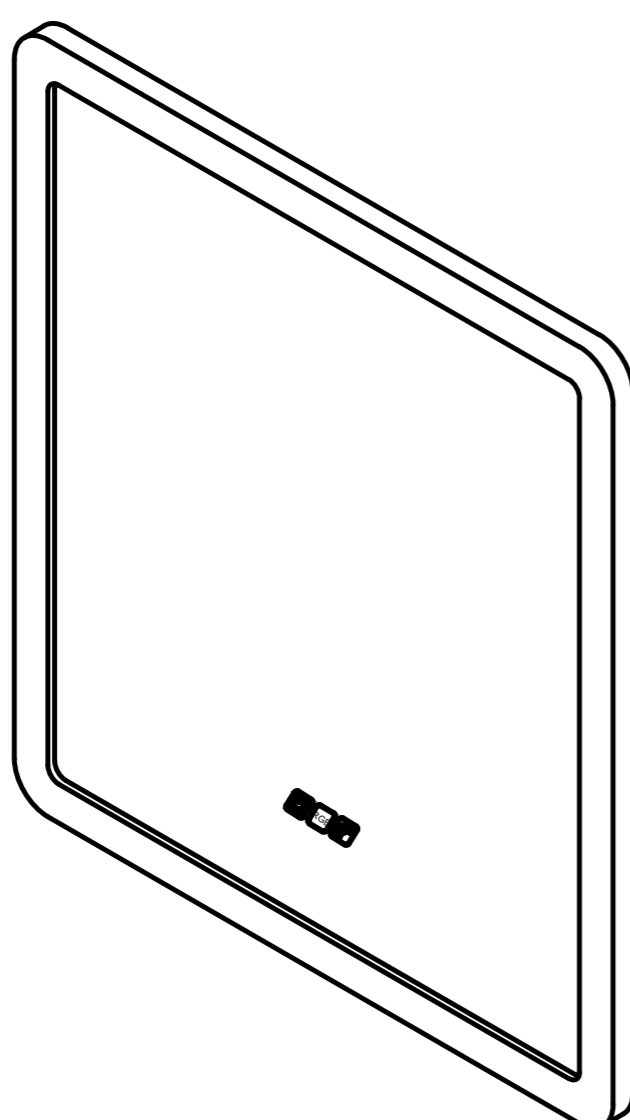
415x370x20

Wx1



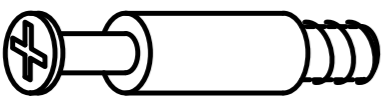

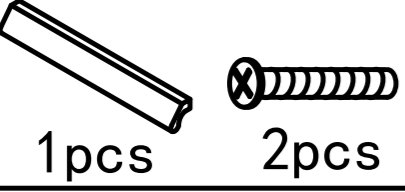

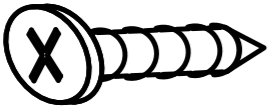
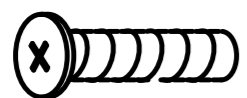
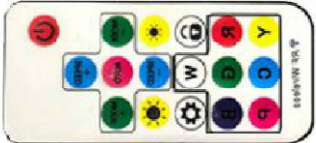
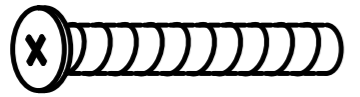




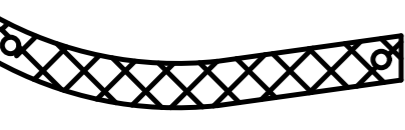
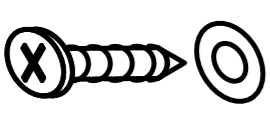
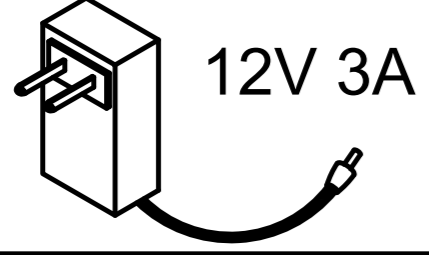
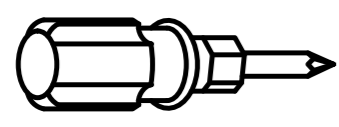
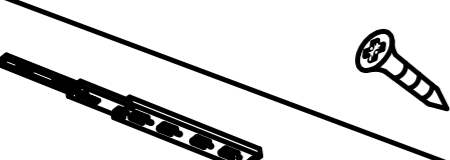
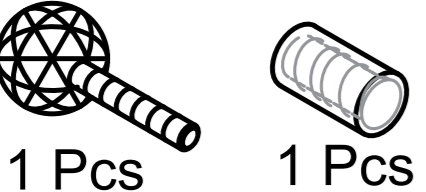
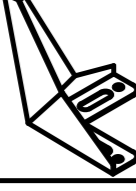
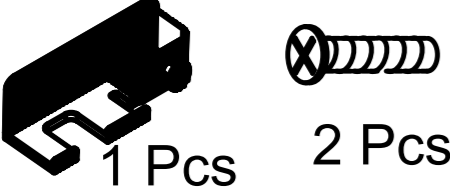
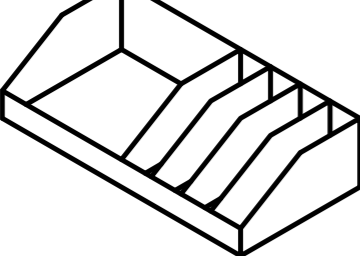
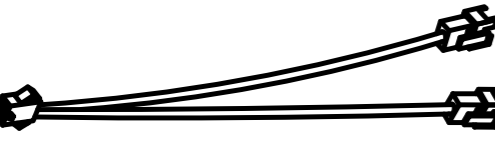
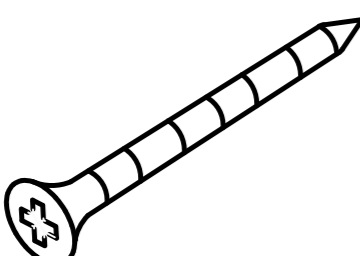
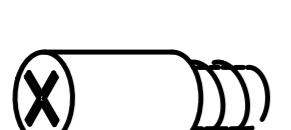
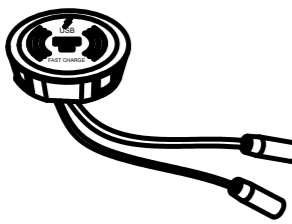
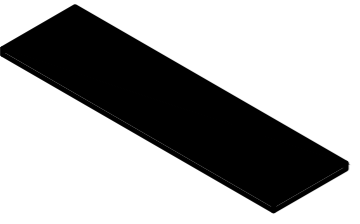
415x370x20

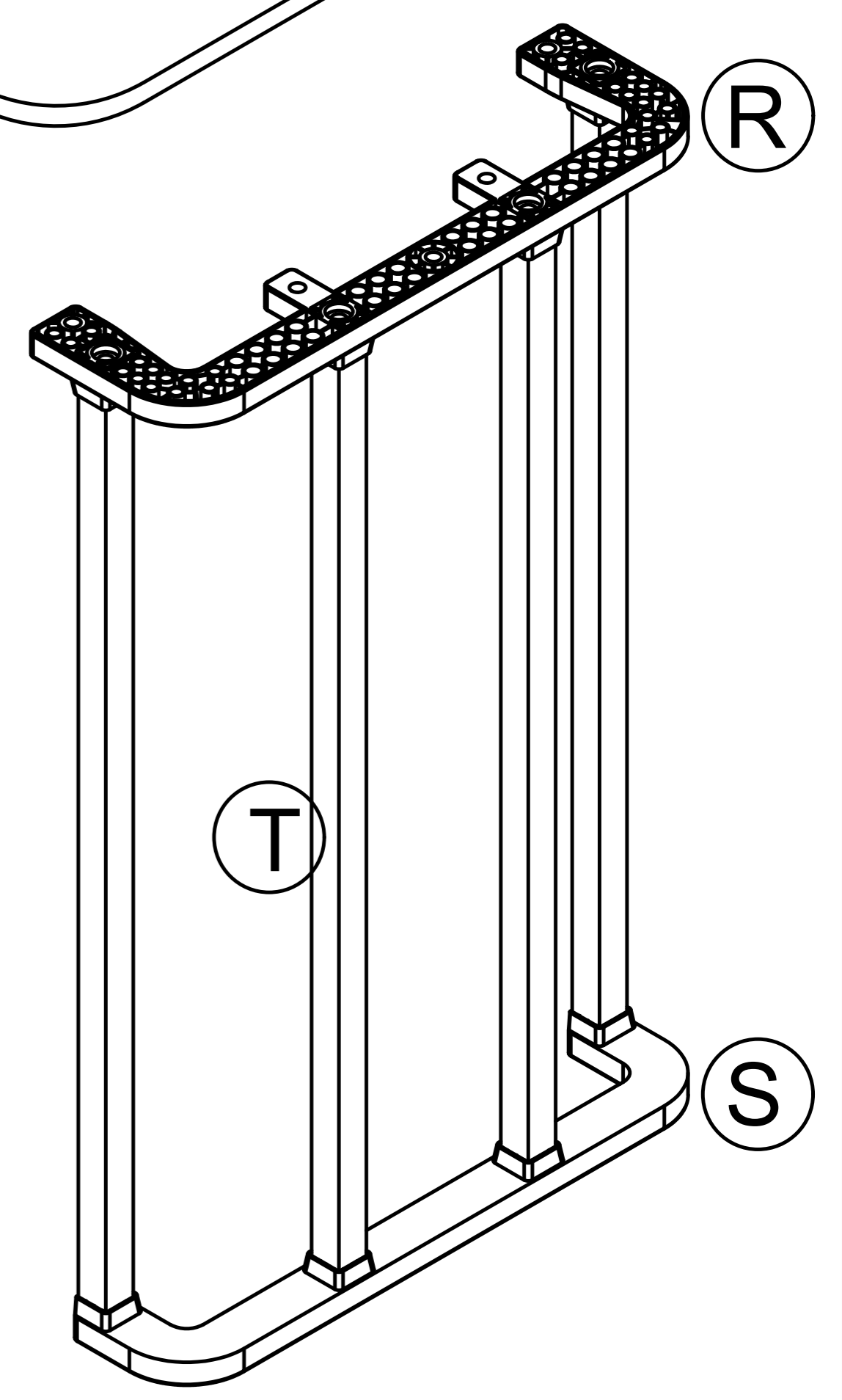
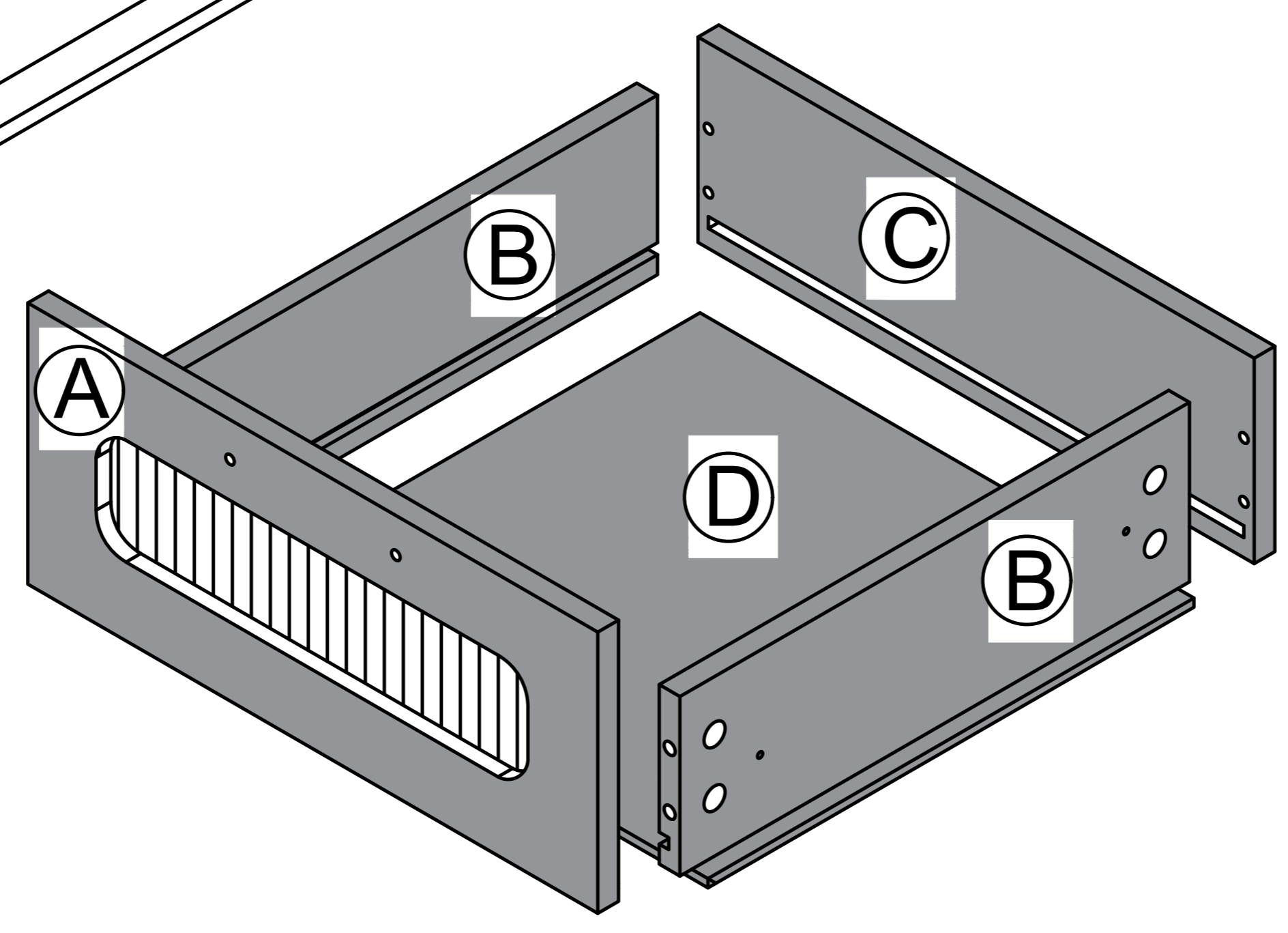
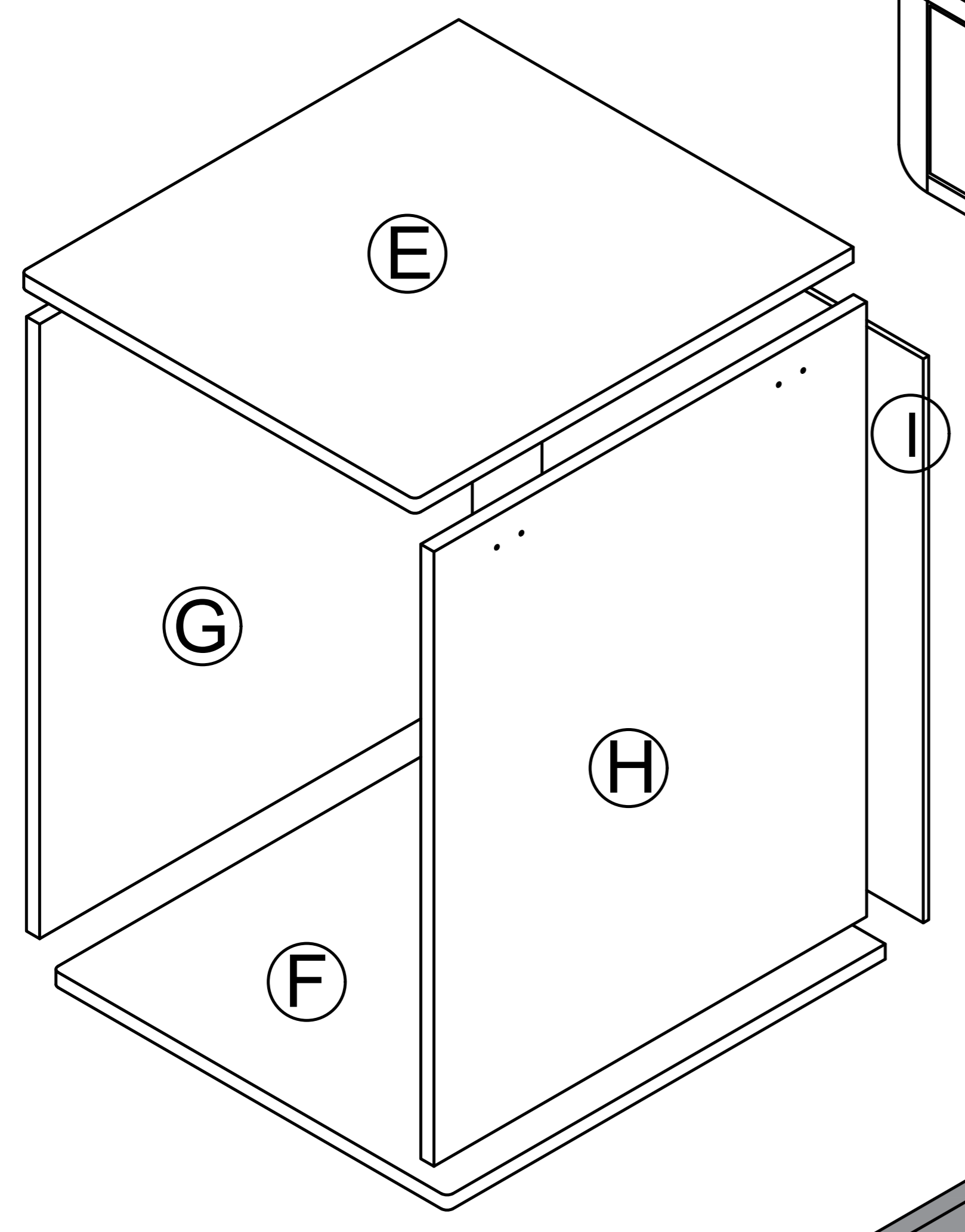
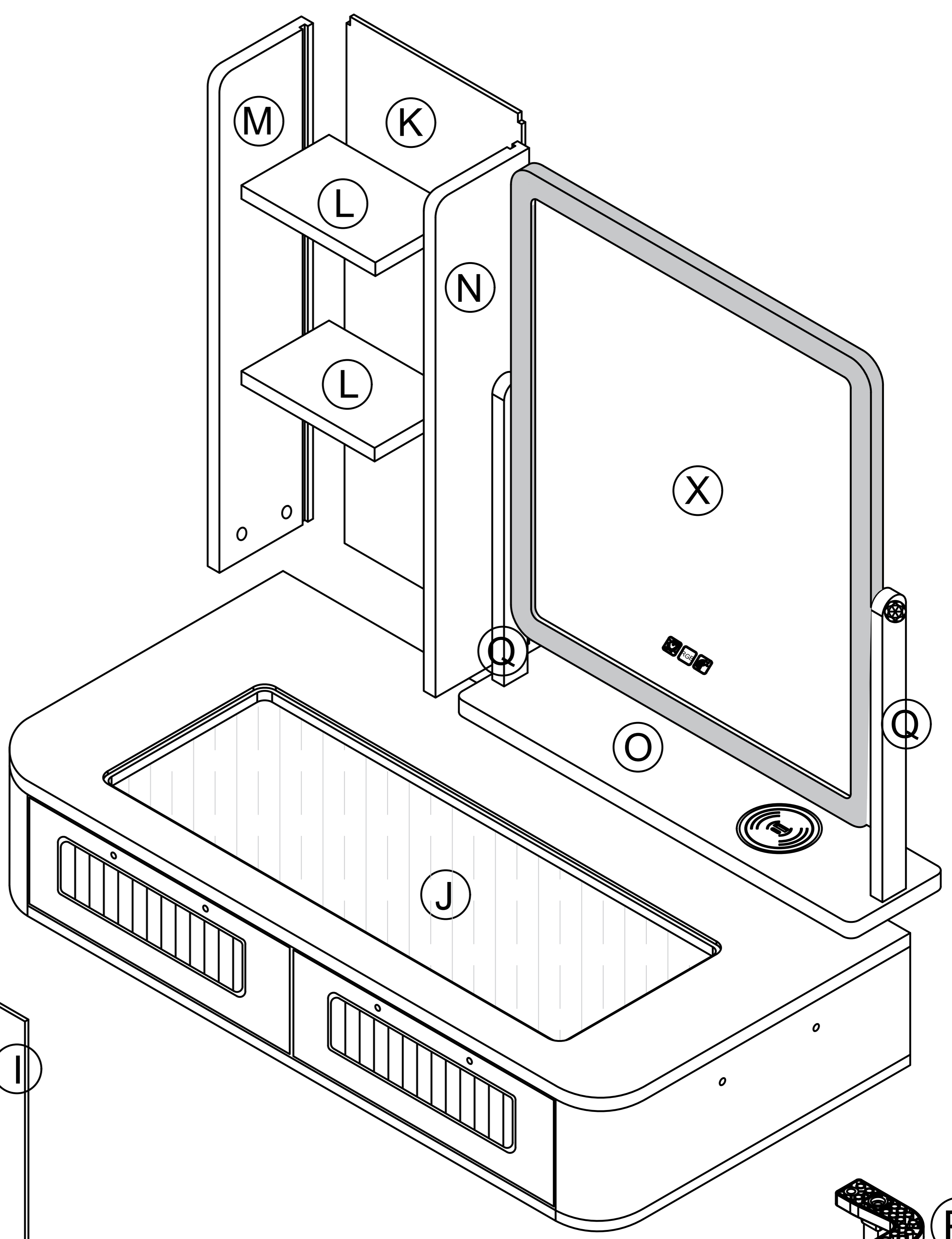
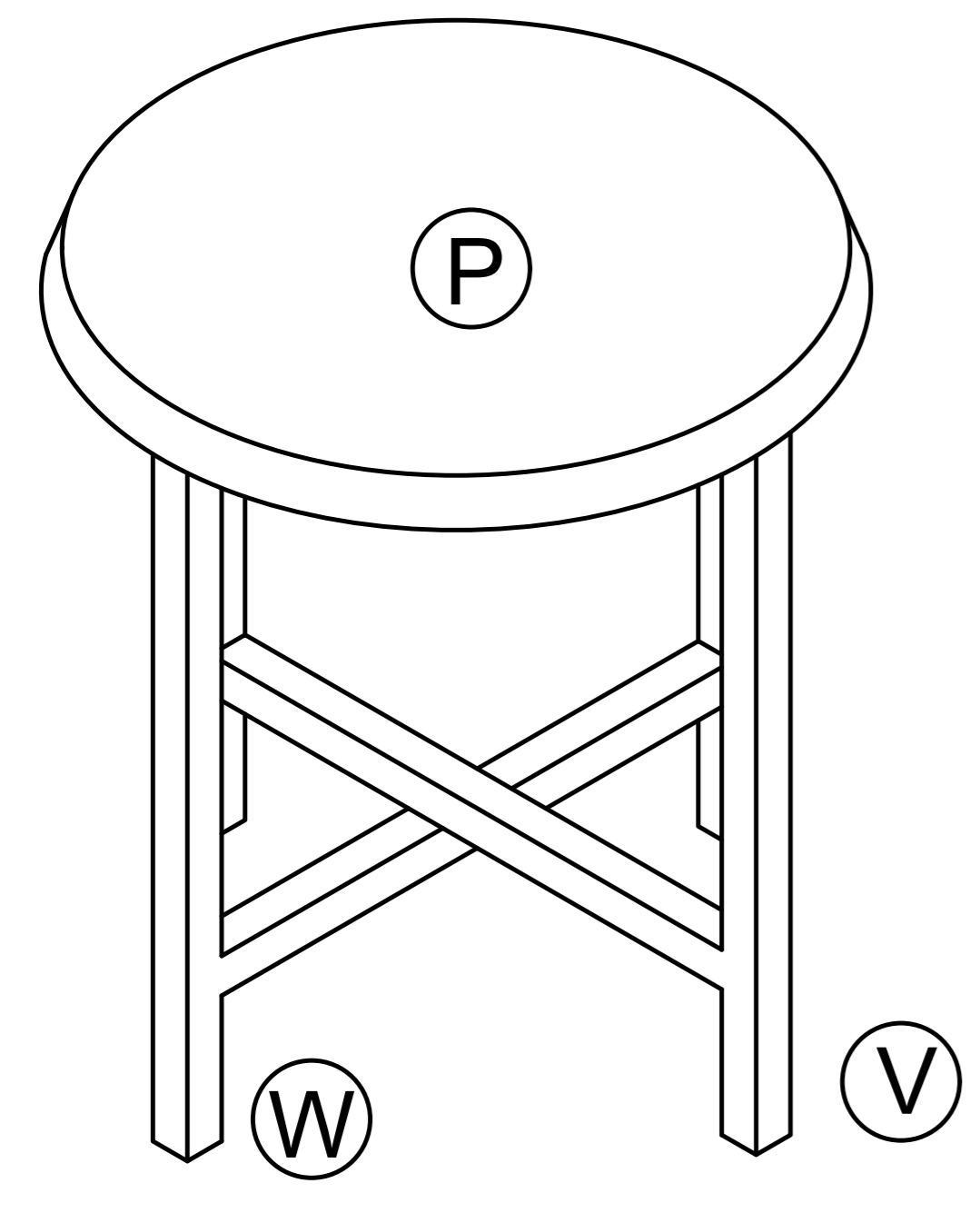
Xx1



540x460x23

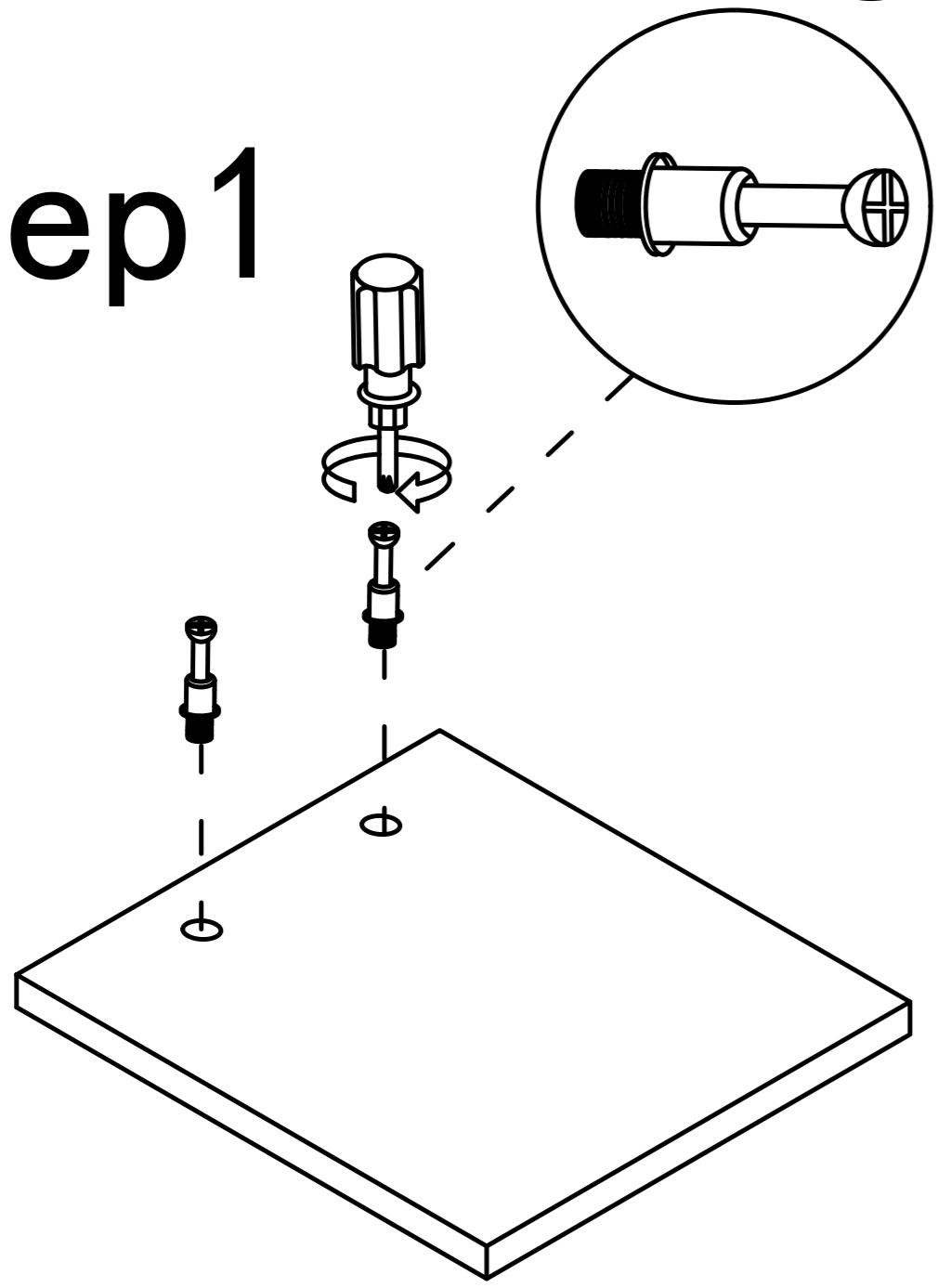
Accessories list

①		Two in one screw (6x28mm)	44 Pcs
②		Two in one nut (10x12mm)	44 Pcs
③		Cross machine wire (4x16mm)	5 Pcs
④		Wood chipping (6x30mm)	10 Pcs
⑤		Countersunk head tapping screw (3.5x12mm)	20 Pcs
⑥		Hexagonal machine wire (6x16mm)	1 Pcs
⑦		Remote control	1 Pcs
⑧		Hexagonal machine wire (6x30mm)	20 Pcs
⑨		Protective sticker	4 Pcs
⑩		Back plate buckle & Screw (3x16mm)	4 Pcs
⑪		Corner code(30x30x1.5)(3.5x12)	2 Pcs
⑫		Countersunk head tapping screw (4x45mm)	1 Pcs
⑬		anti-tipping tape	1 Pcs
⑭		Countersunk head tapping screw (4x16mm) gasket	1 Pcs
⑮		The power adapter	1 Pcs
⑯		Cross screwdriver	1 Pcs
⑰		Guide & Screw (3.5x12mm)	6 Pcs
⑱		Mirror frame crystal screw(6x35mm)	2 Pcs
⑲		Hardware electroplating cabinet feet	4 Pcs
⑳		Acrylic hair dryer holder Hexagonal machine wire (4x16mm)	1 Pcs
㉑		Brown acrylic lipstick grid	1 Pcs
㉒		One to two power link cable	1 Pcs
㉓		Countersunk head tapping screw (4x25mm)	2 Pcs
㉔		Cross machine wire (8x20mm)	2 Pcs
㉕		A3 wireless box	1 Pcs
㉖		Foot rubber pad (130x35x4mm)	4 Pcs

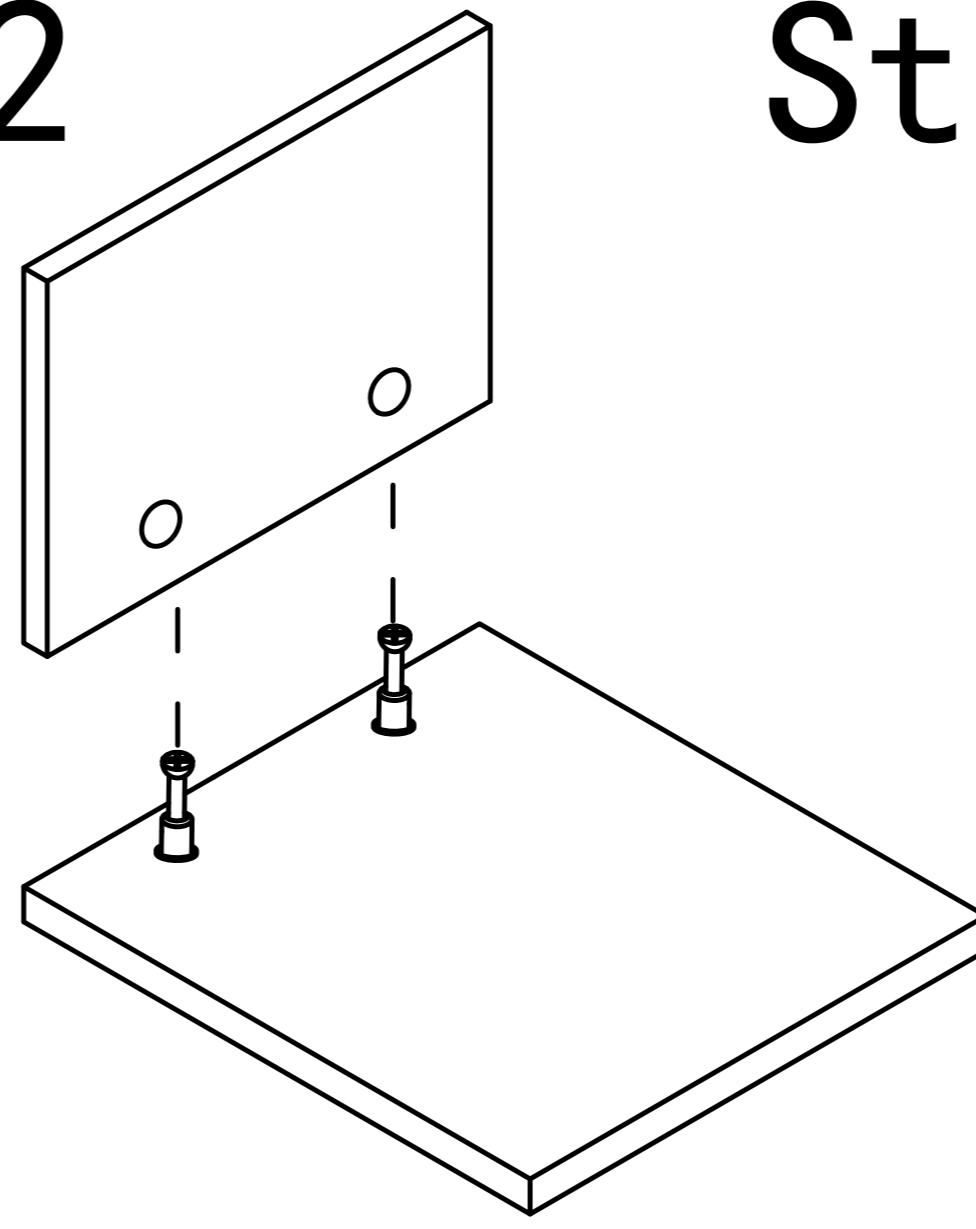


Use parts ① and ②

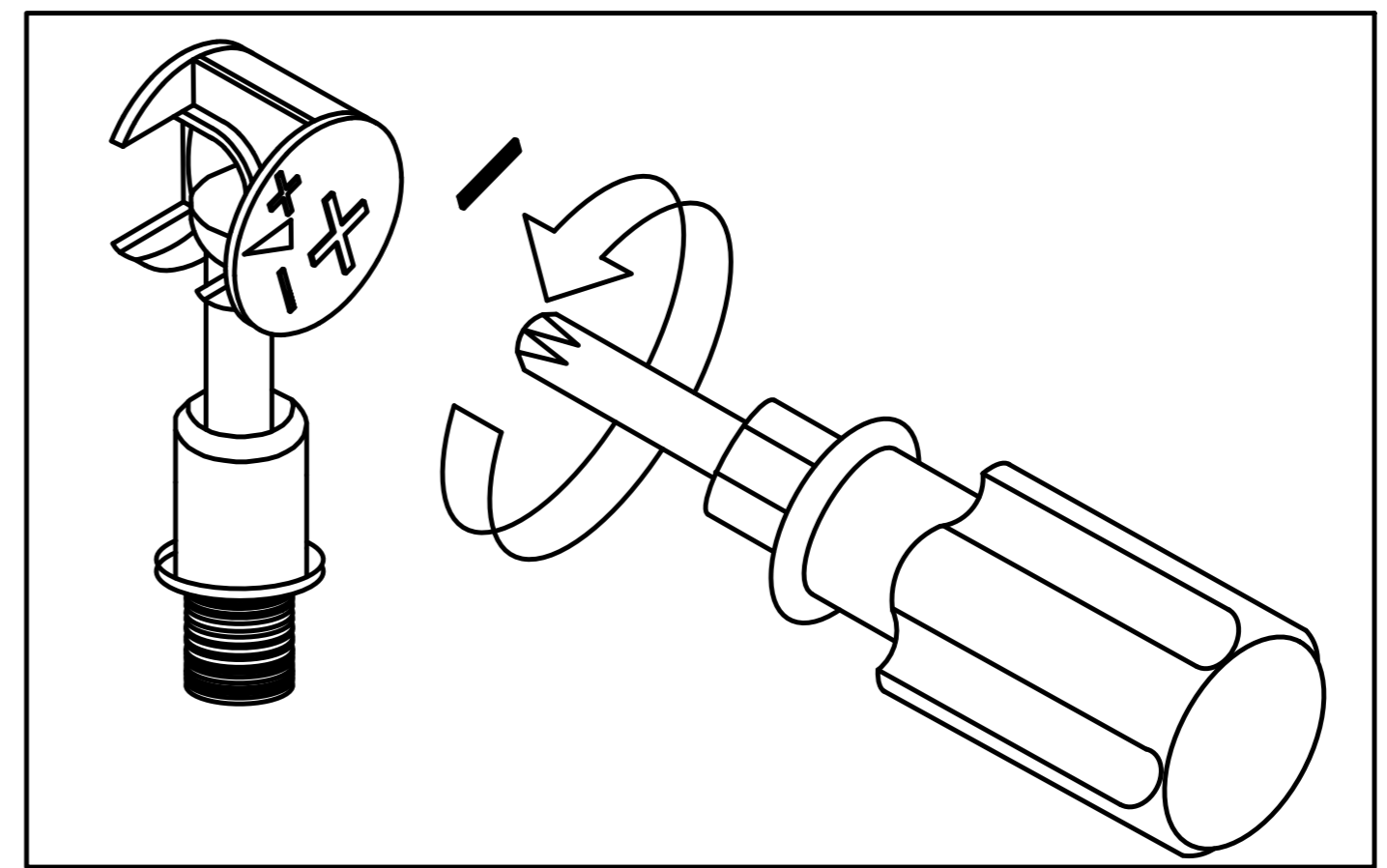
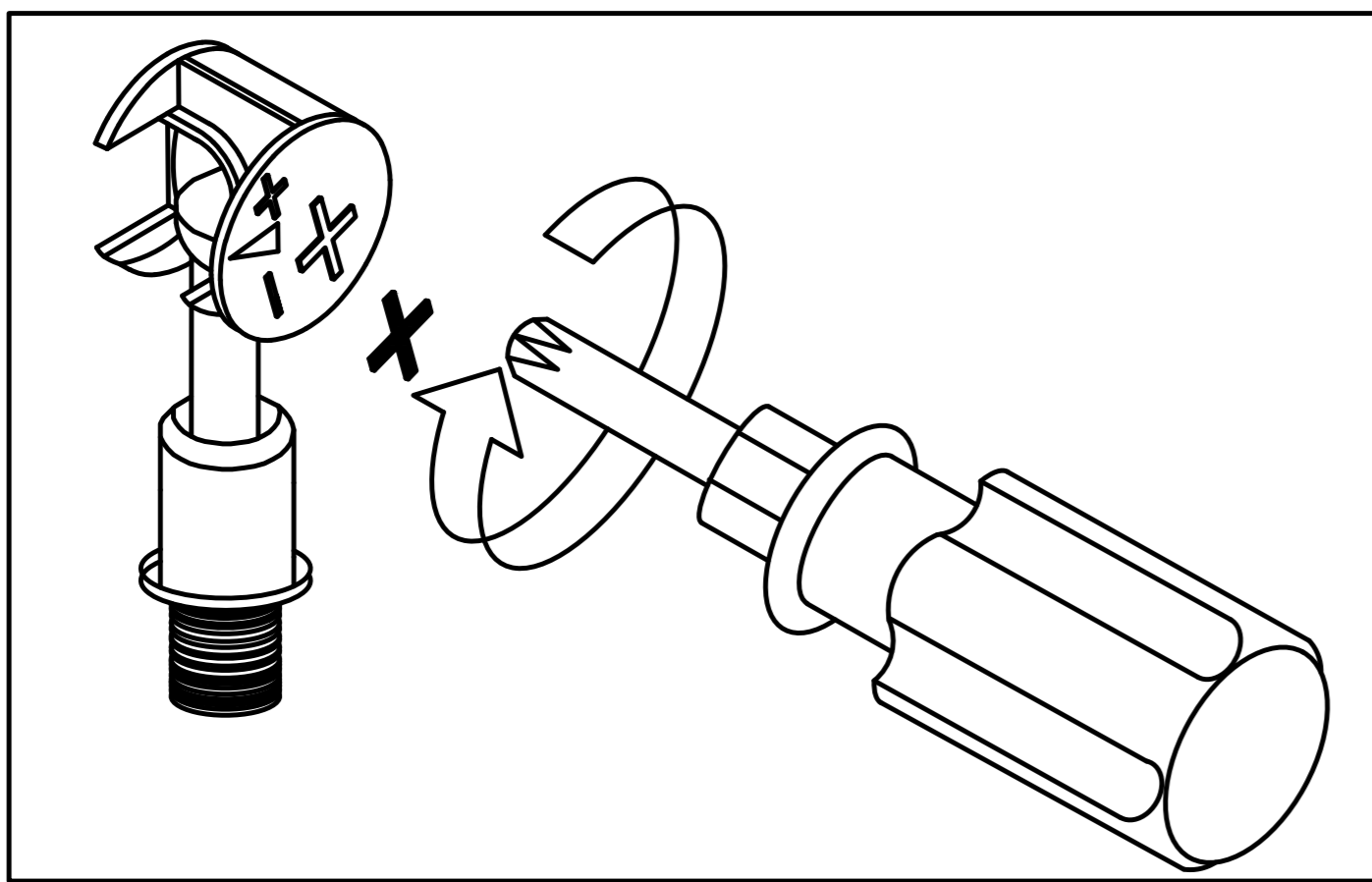
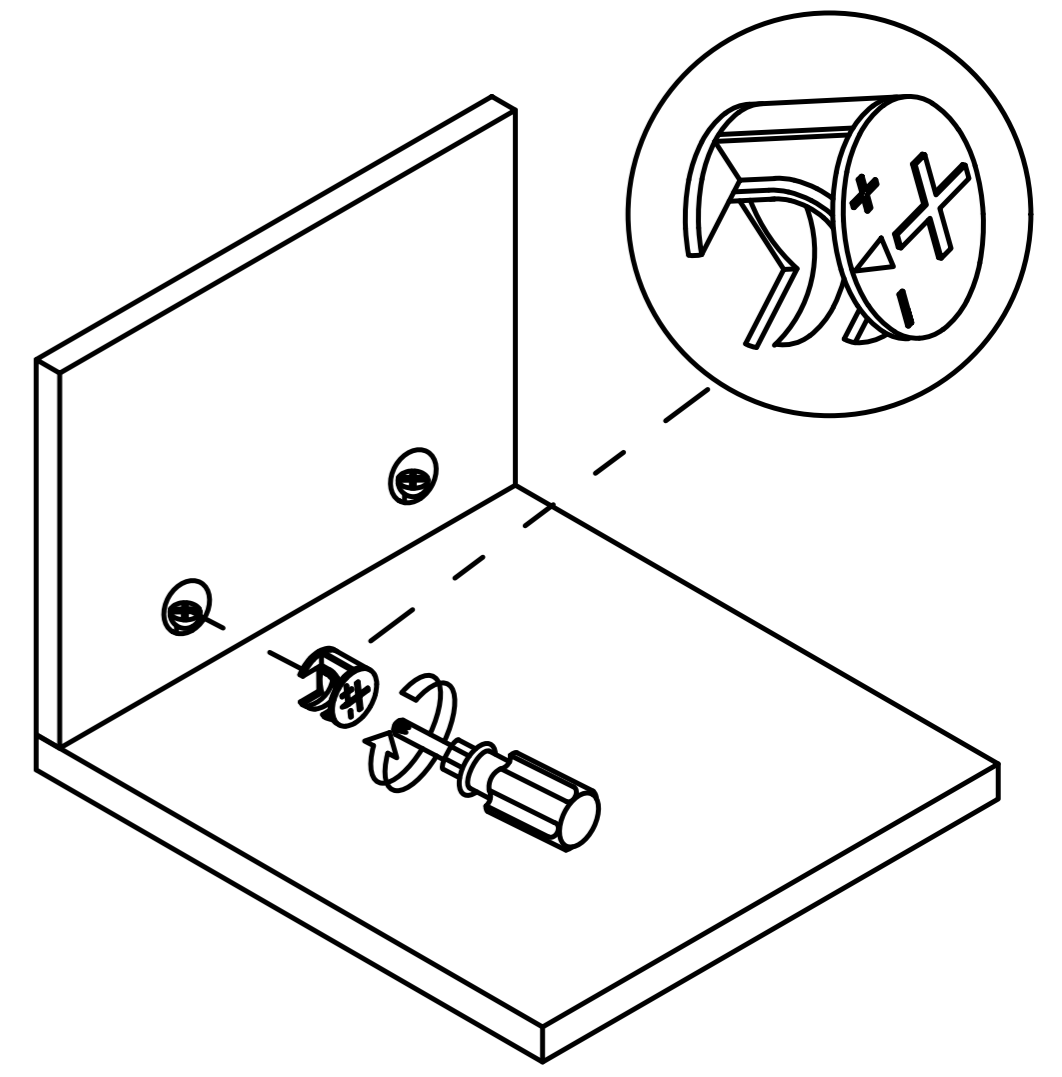
Step 1



Step 2



Step 3

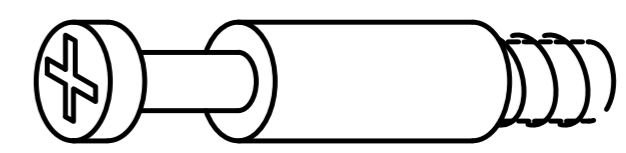


Use a screwdriver to lock in the direction of the "+" sign

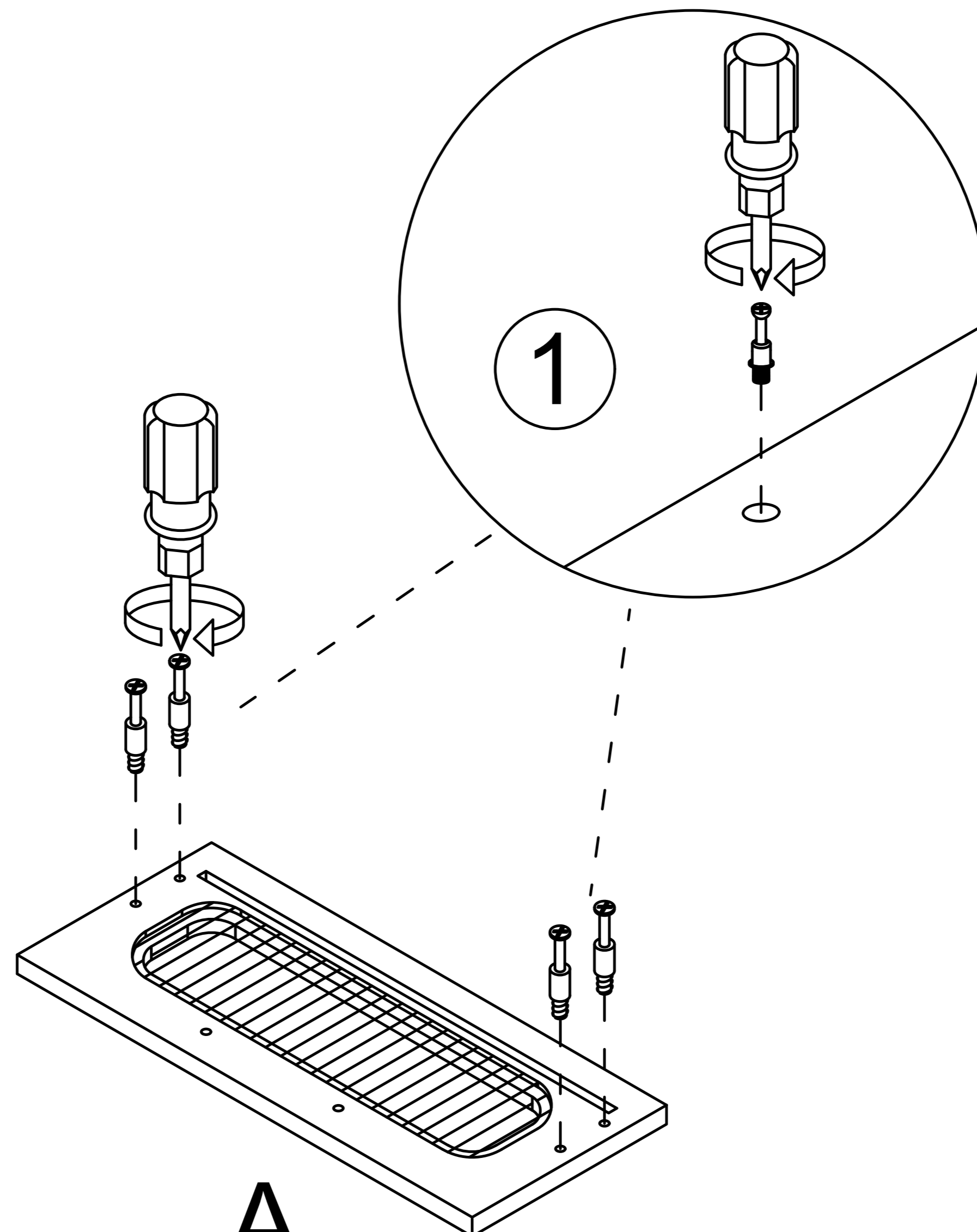
Disassemble along the direction of "-" sign

Step 1

①



x 4

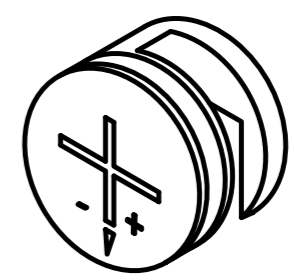


A

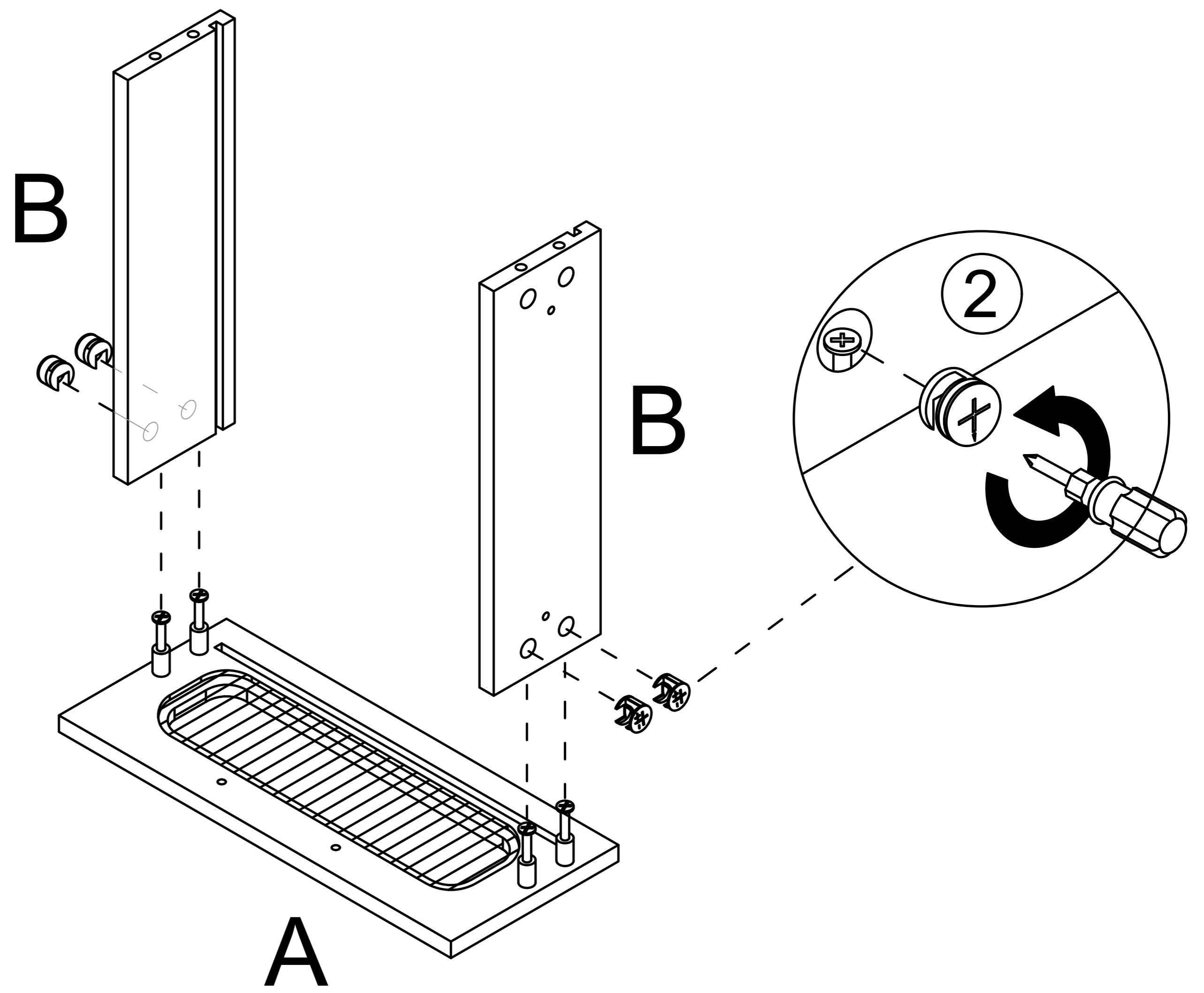
7

Step 2

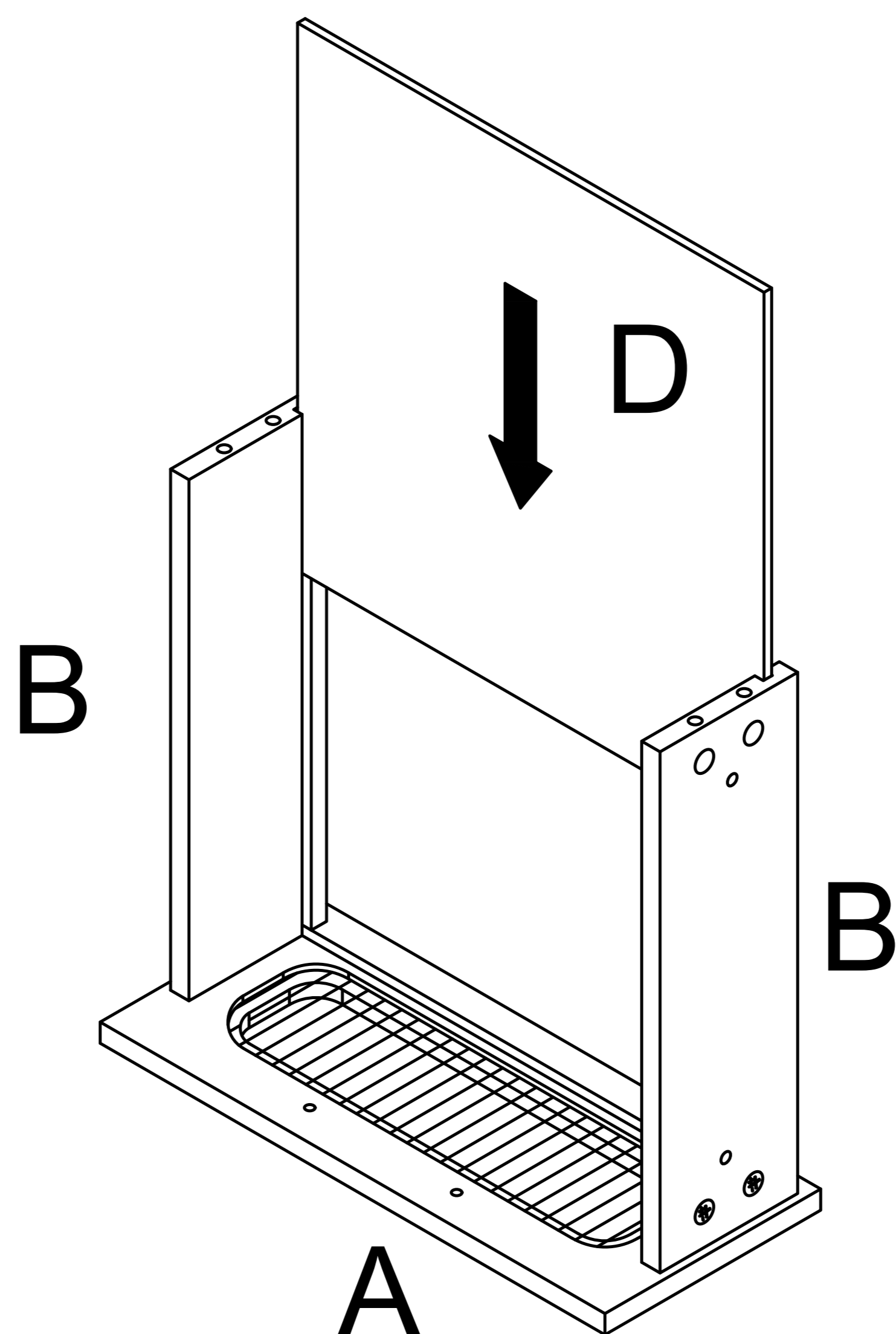
2



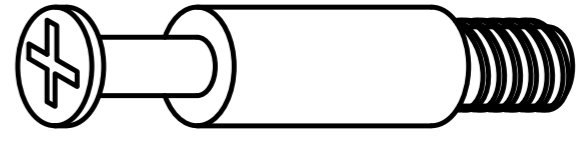
x 4

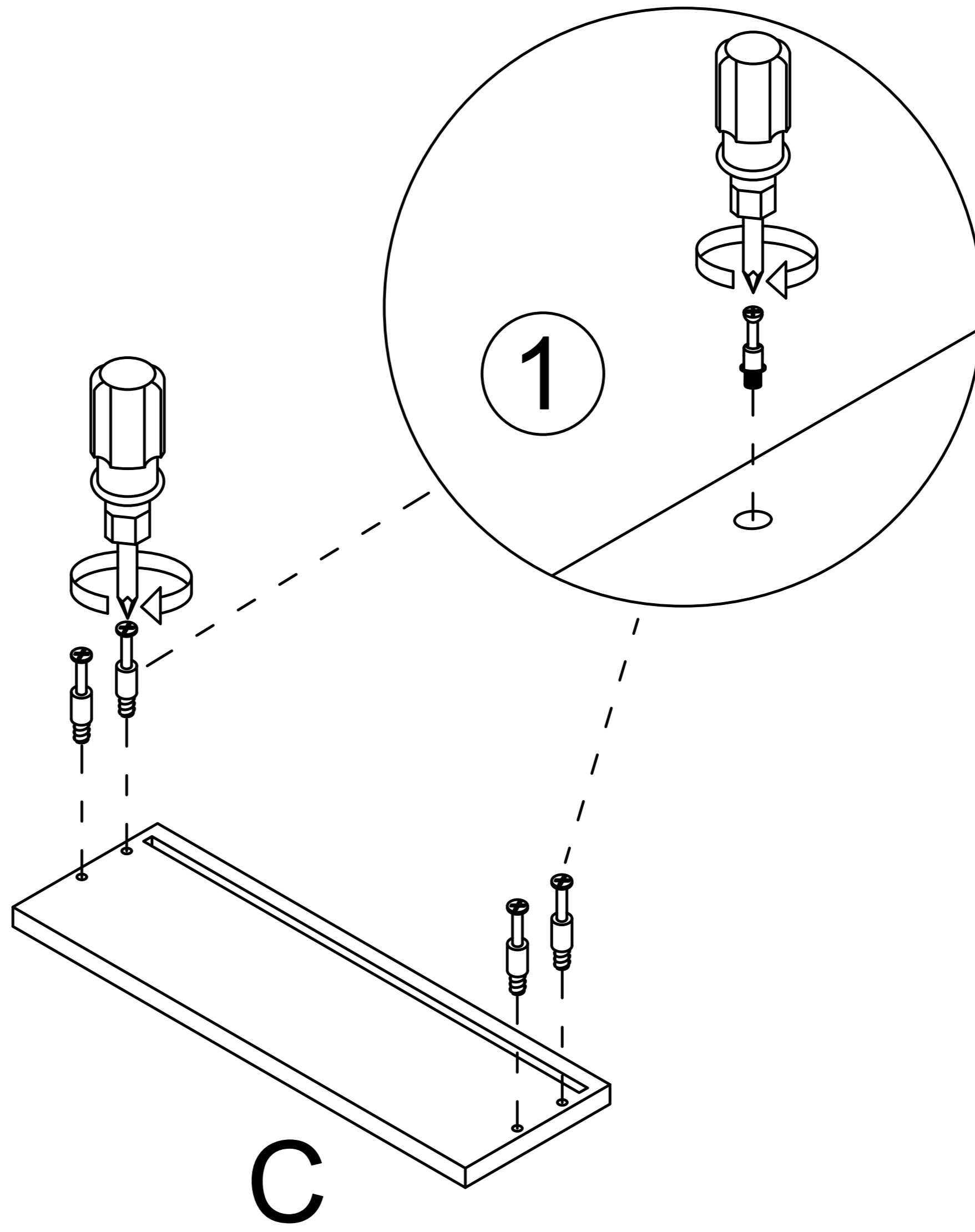


Step 3




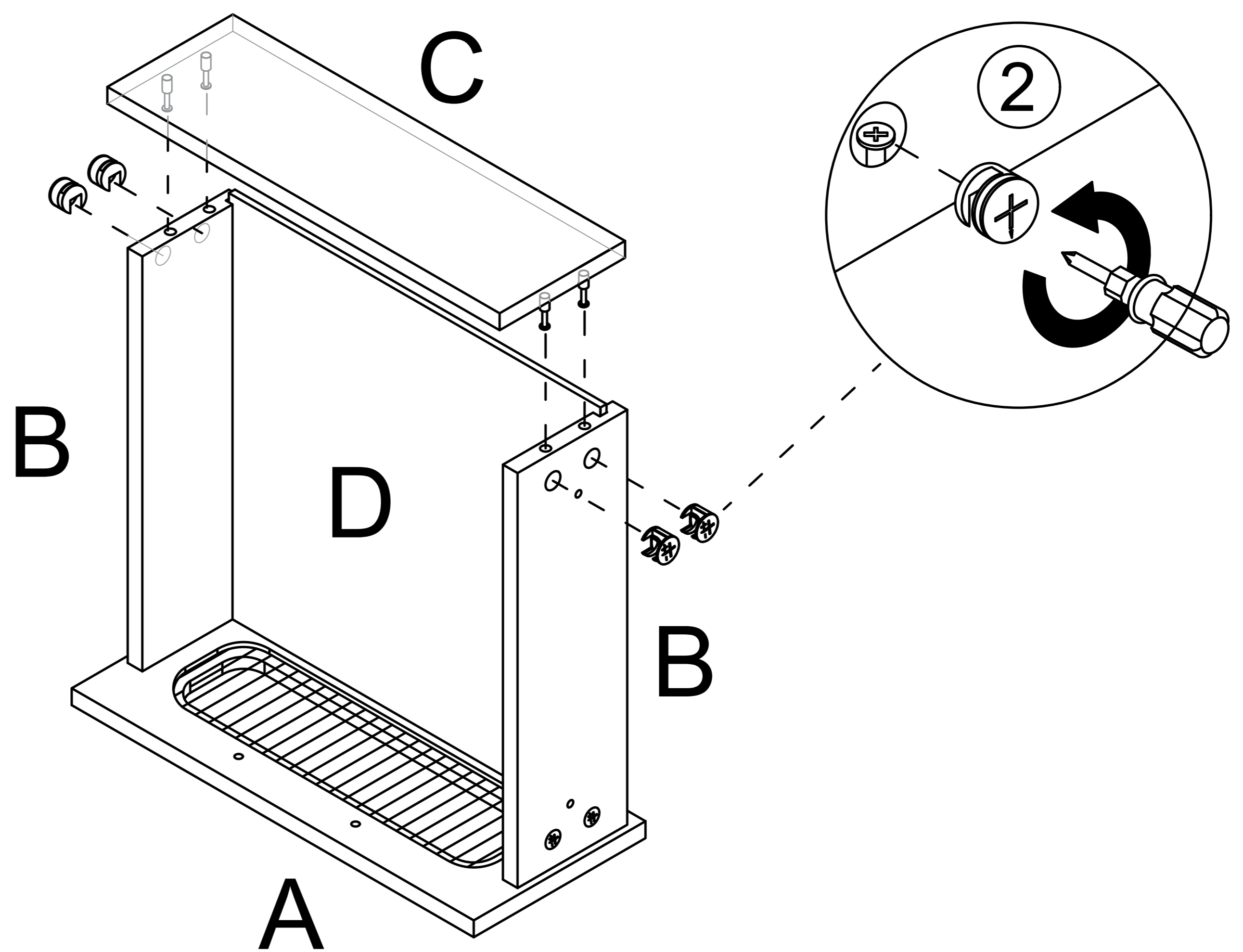
Step 4

1  x 4

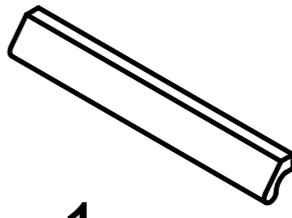
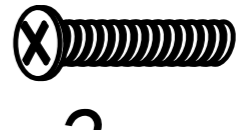


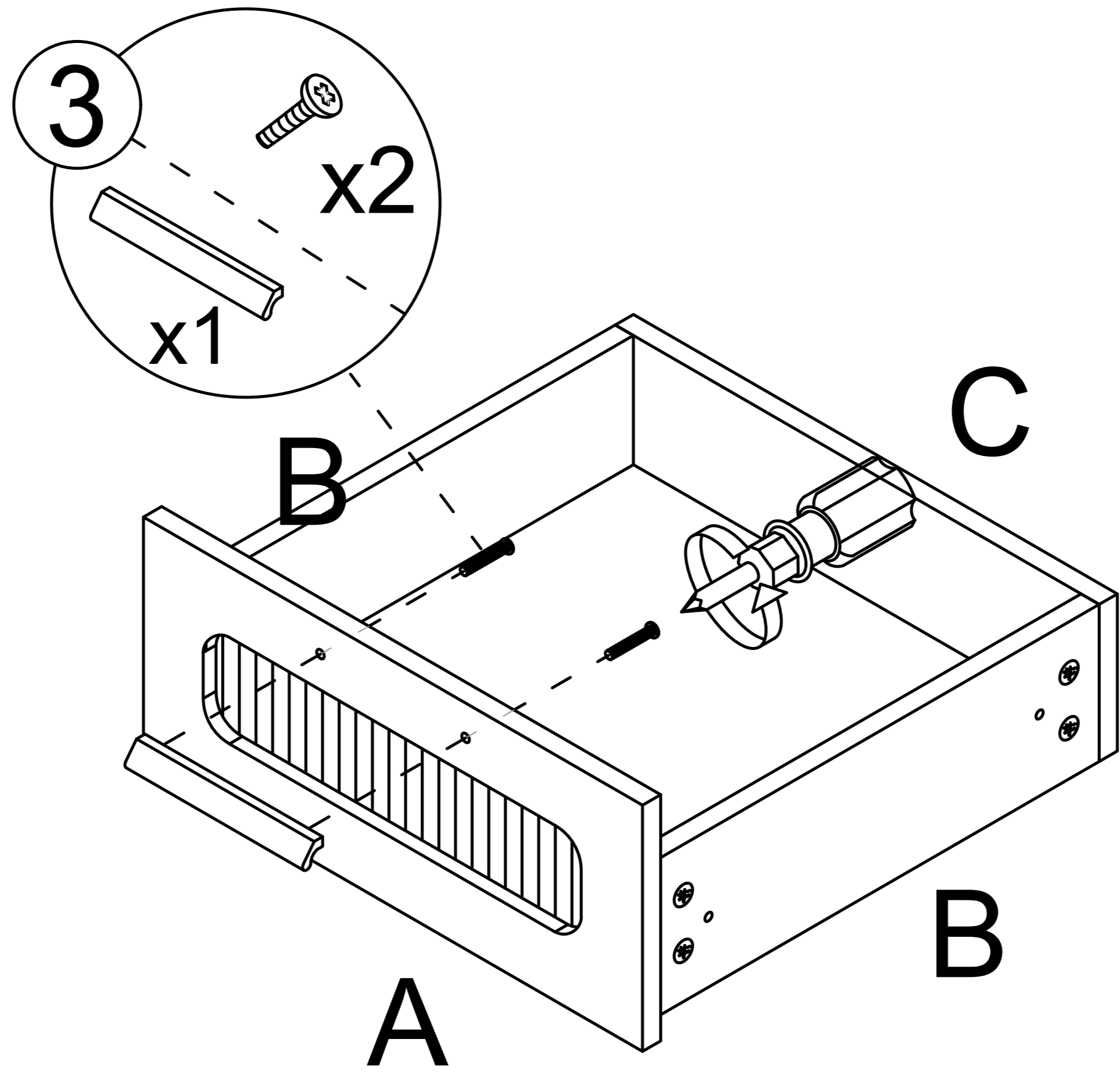
Step 5

2  x 4

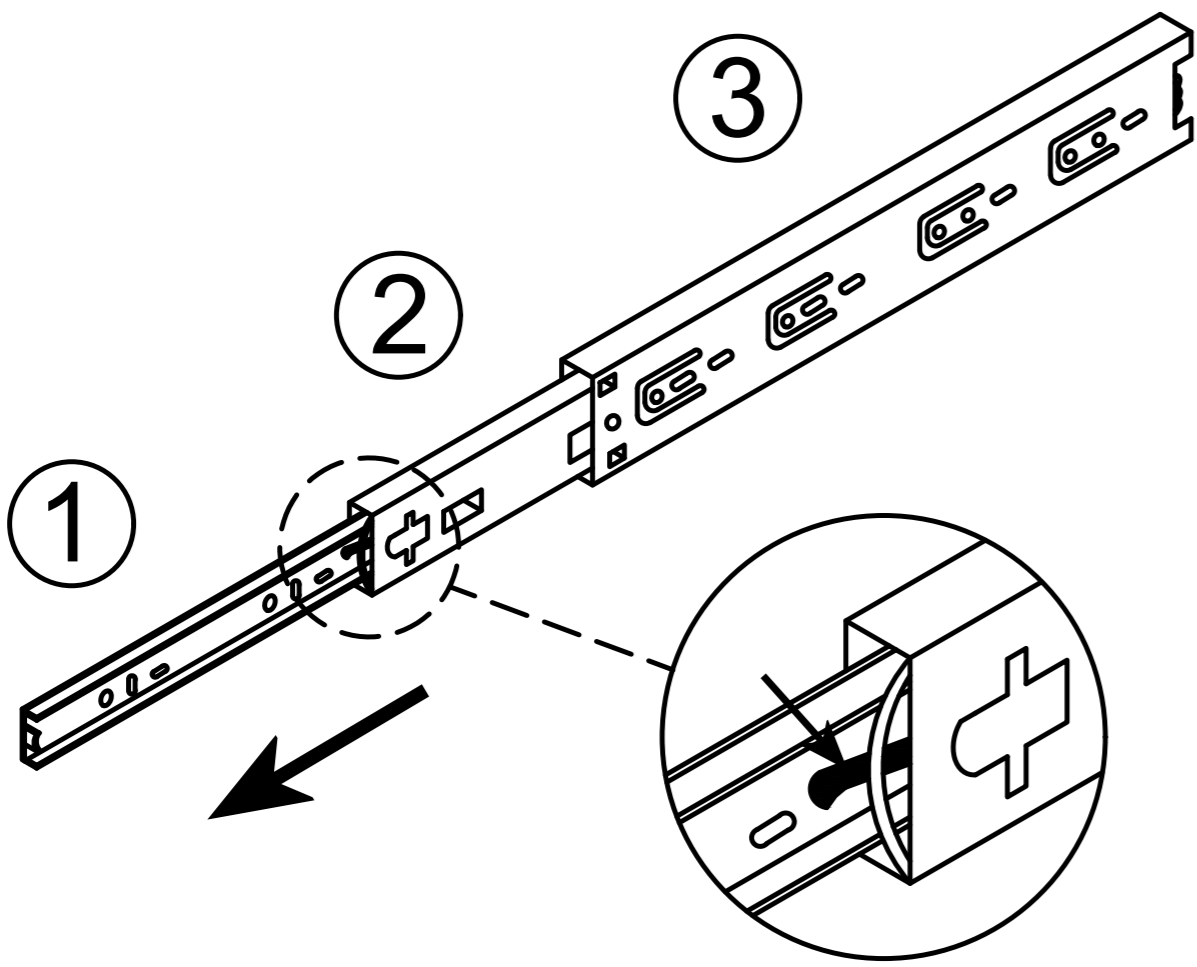


Step 6

3	 1pcs	 2pcs	X 1
4x16mm			

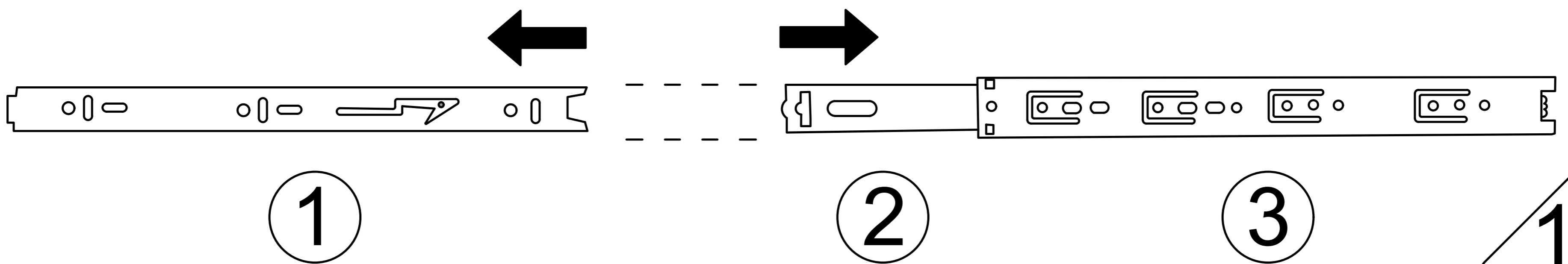
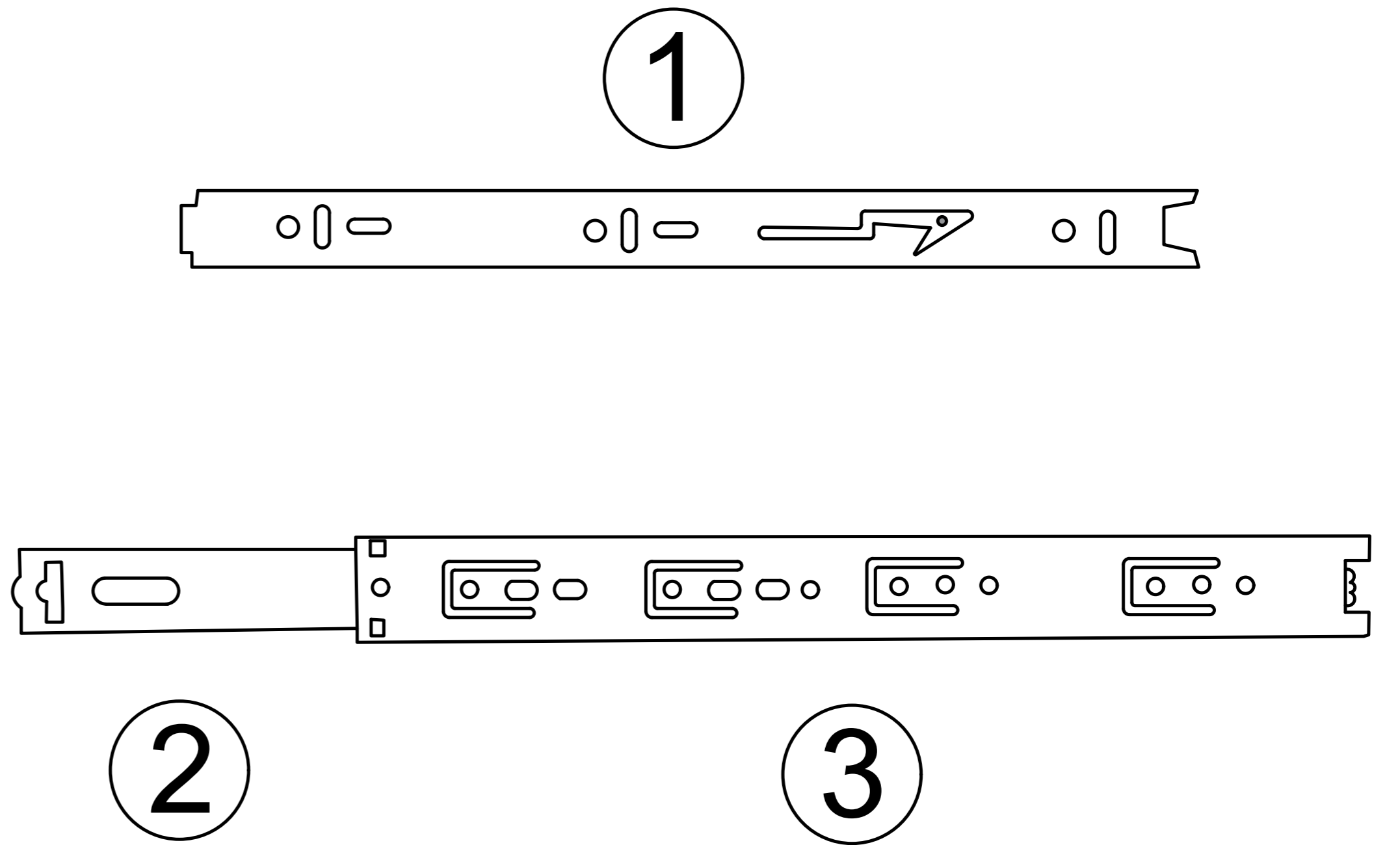


Drawer rail breakdown diagram



Step 1 : Pull the rails apart

Step 2 : Push the nylon buckle outward ①



Lead hole screw position

Reinforcement screw position

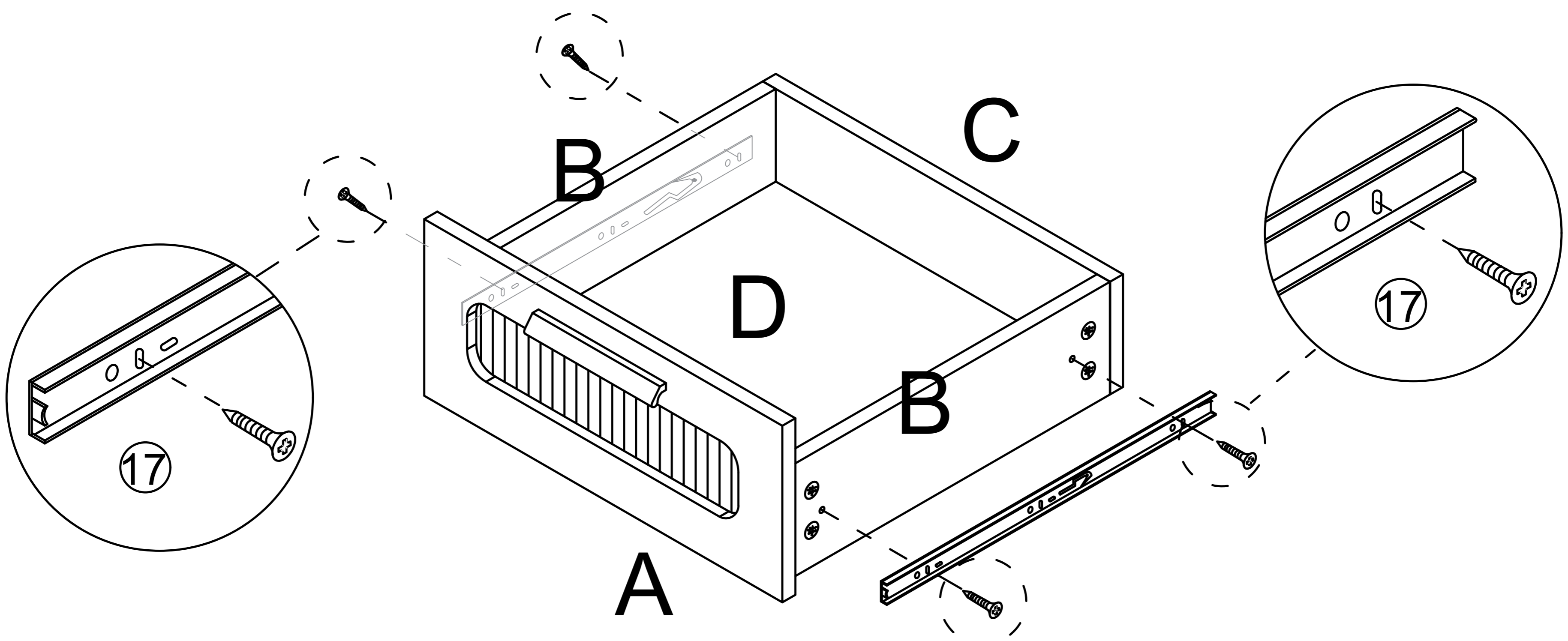
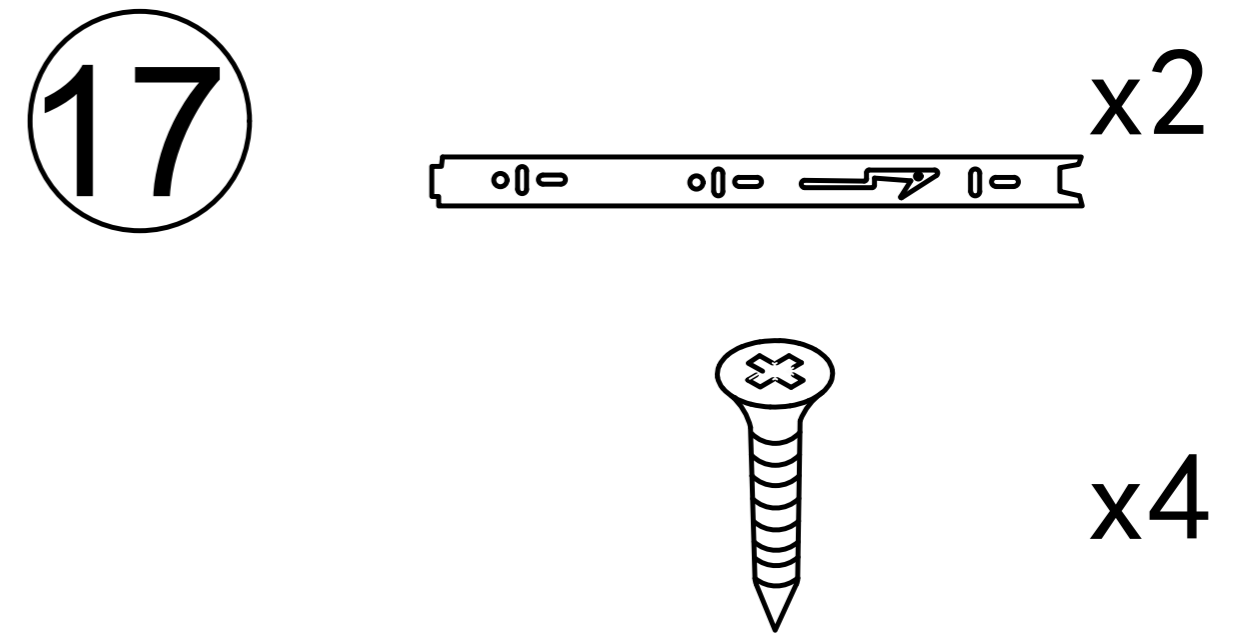
Lead hole screw position




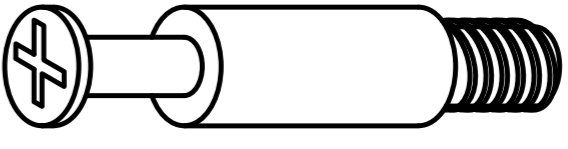
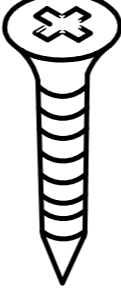

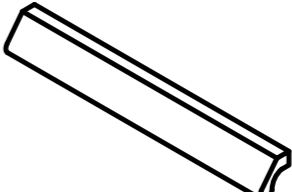

Lead hole screw position

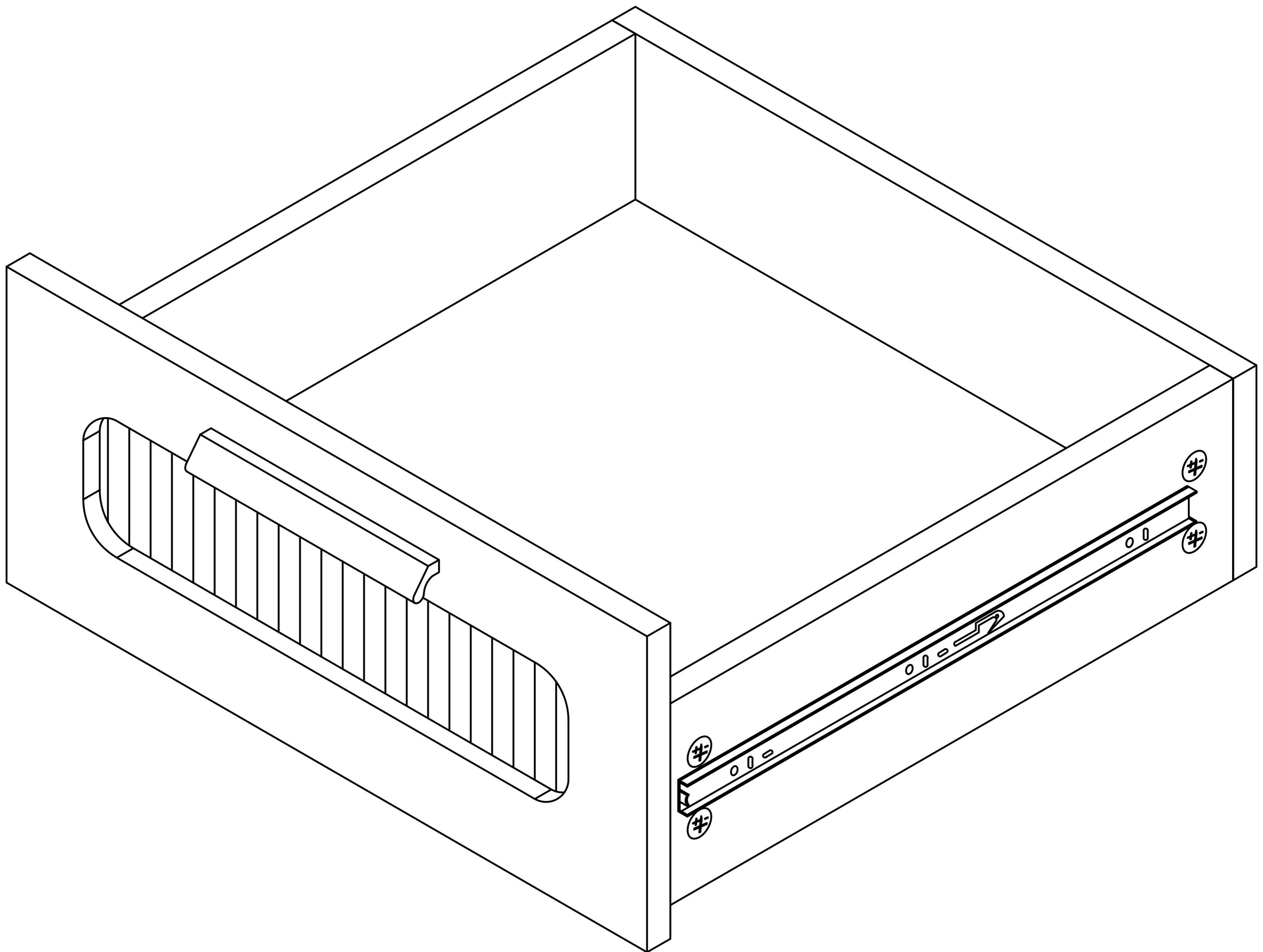
Lead hole screw position

Step 7



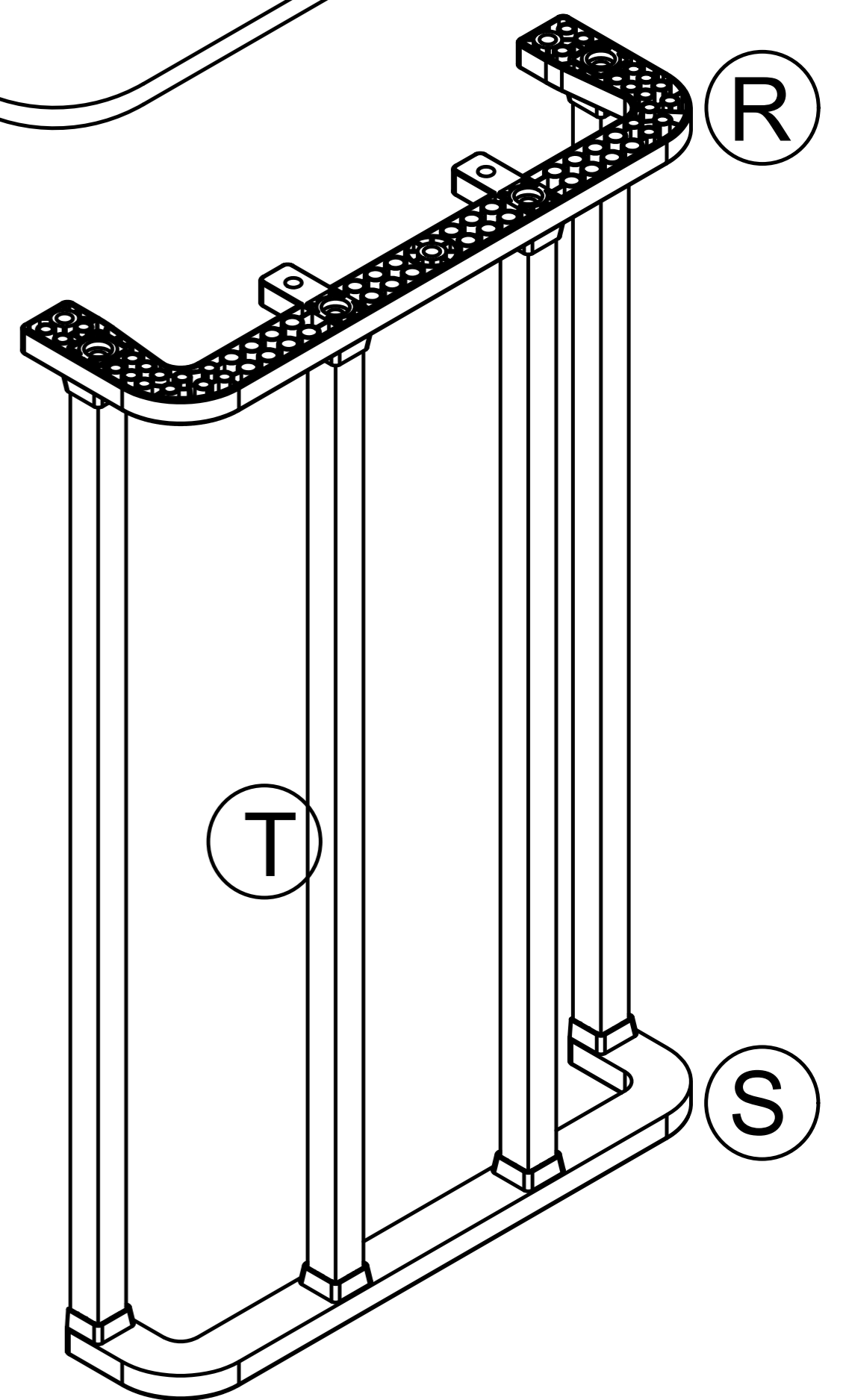
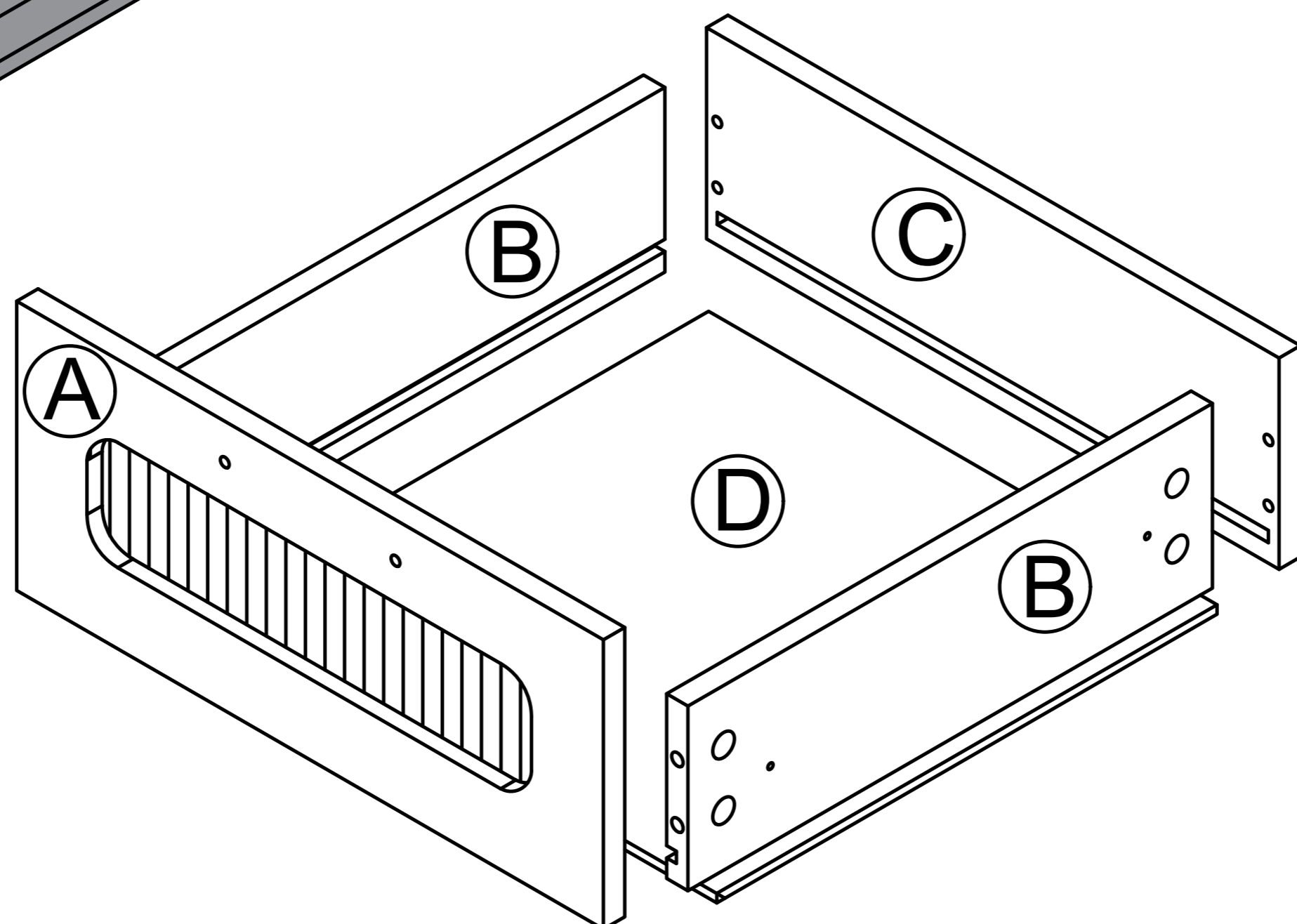
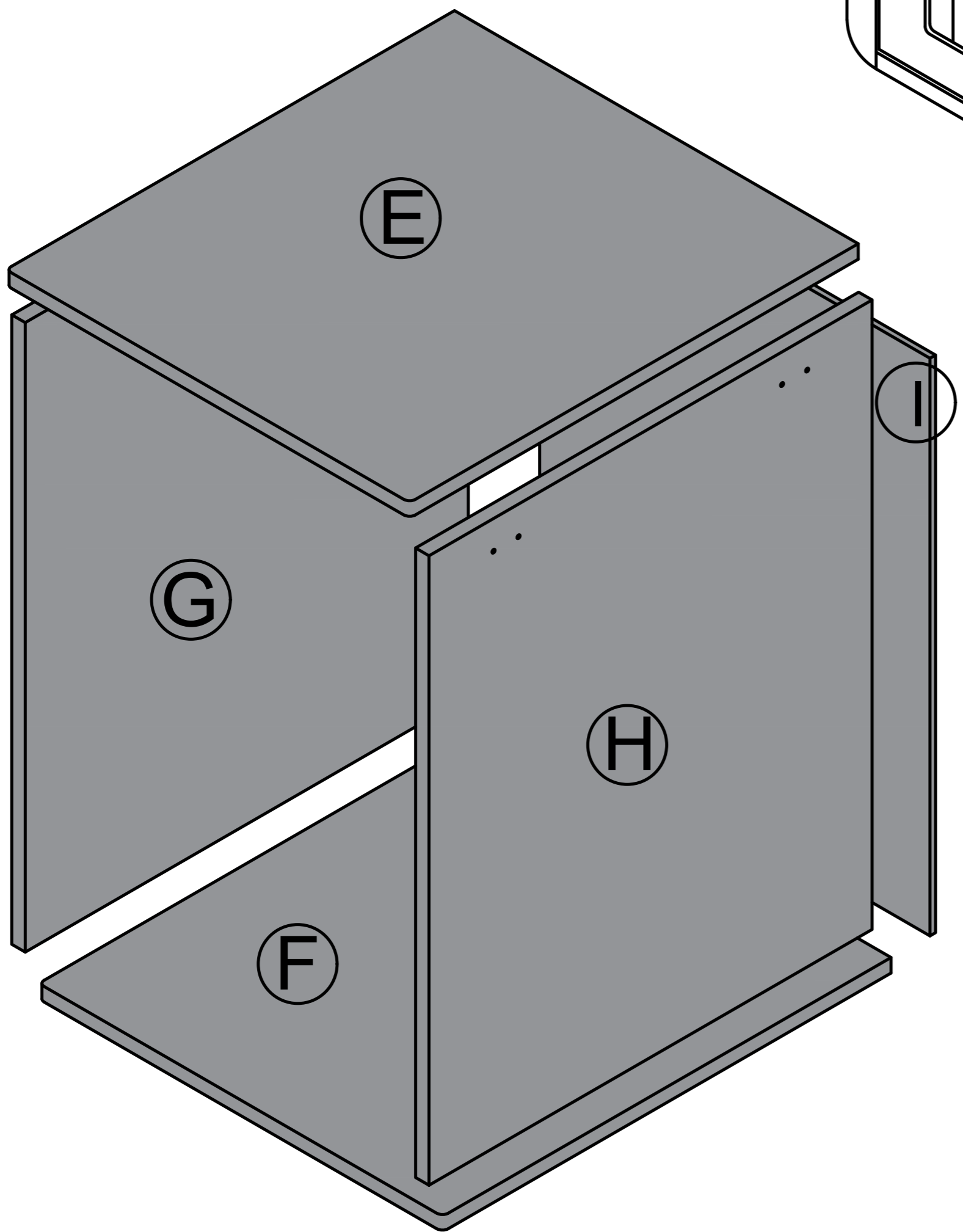
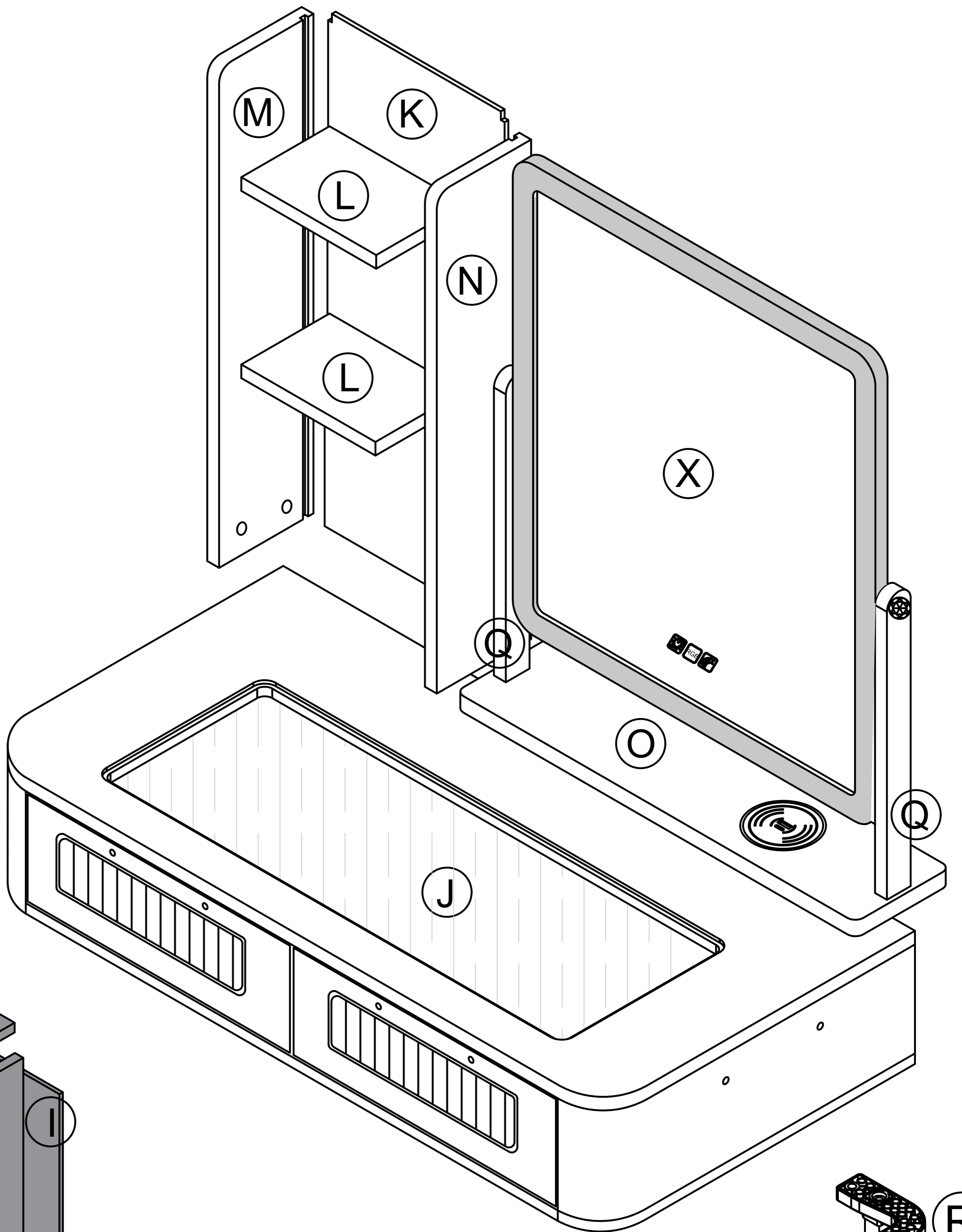
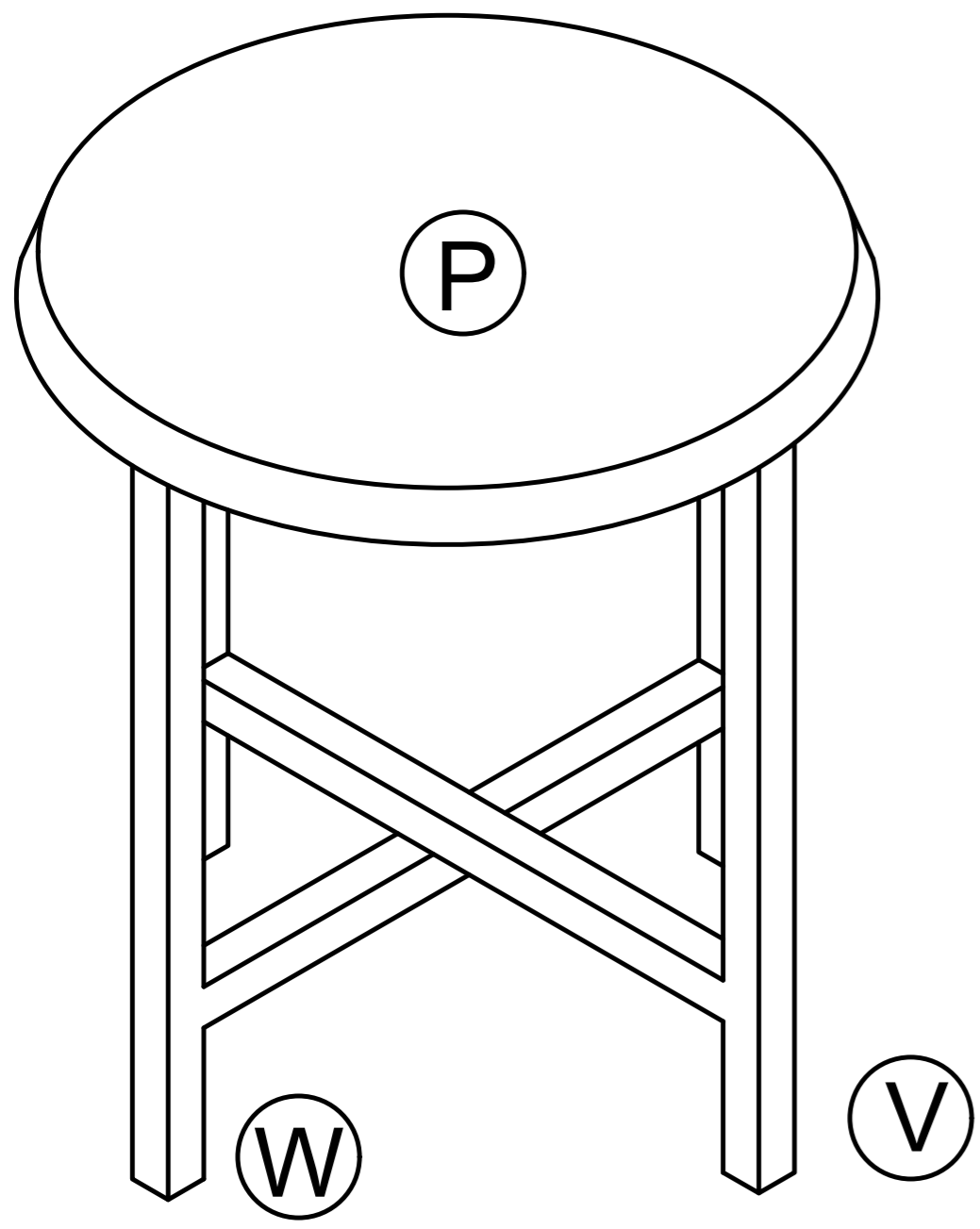
Repeat the first, second, and third steps three times.

17  x6	1  x 24
 x12	2  x 24
	3  1pcs  2pcs x 3

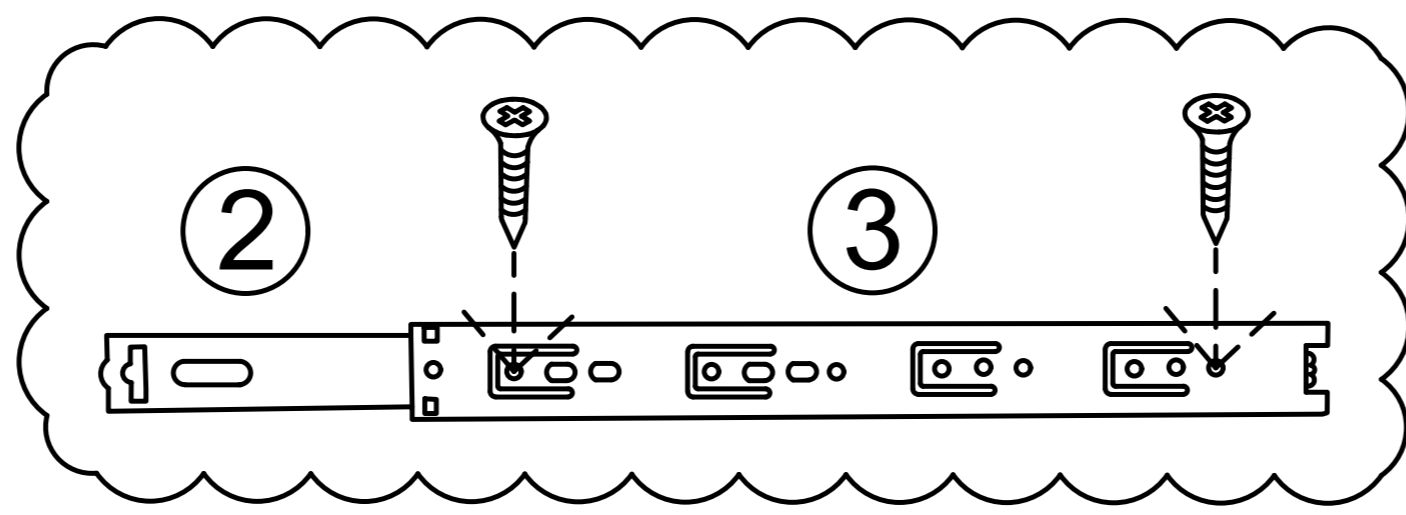


x3 pcs

The installation method for the other drawer is the same

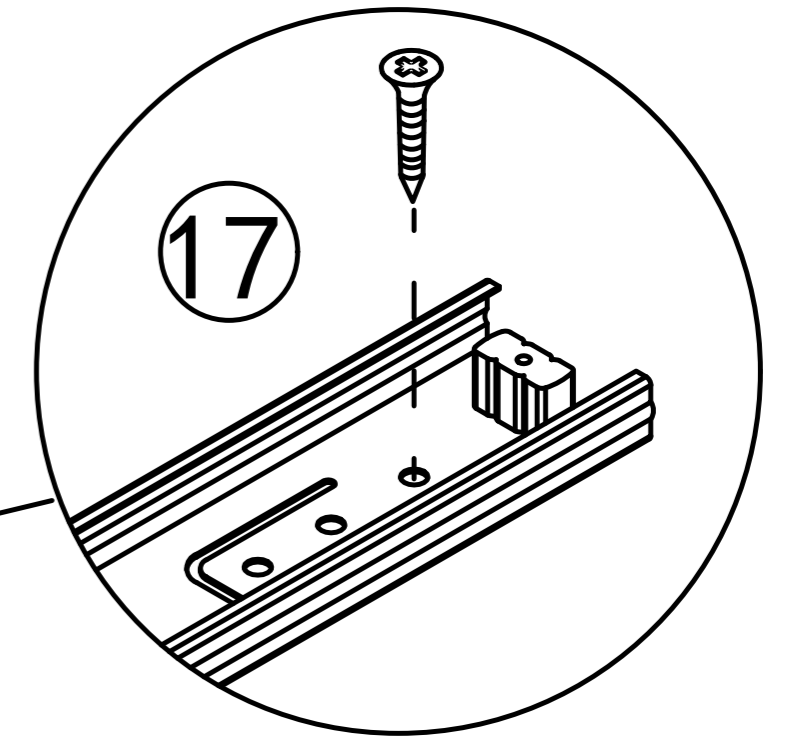
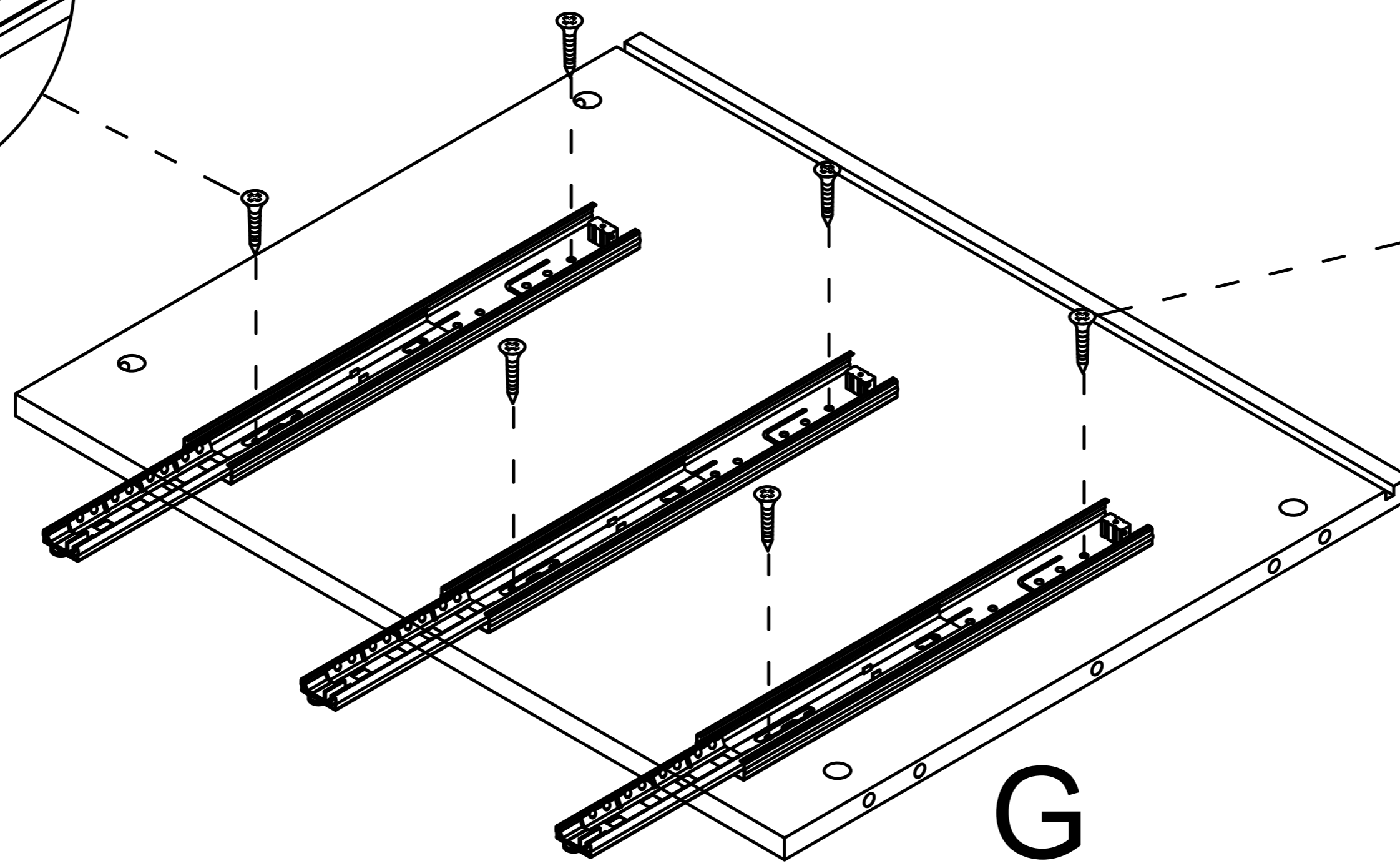
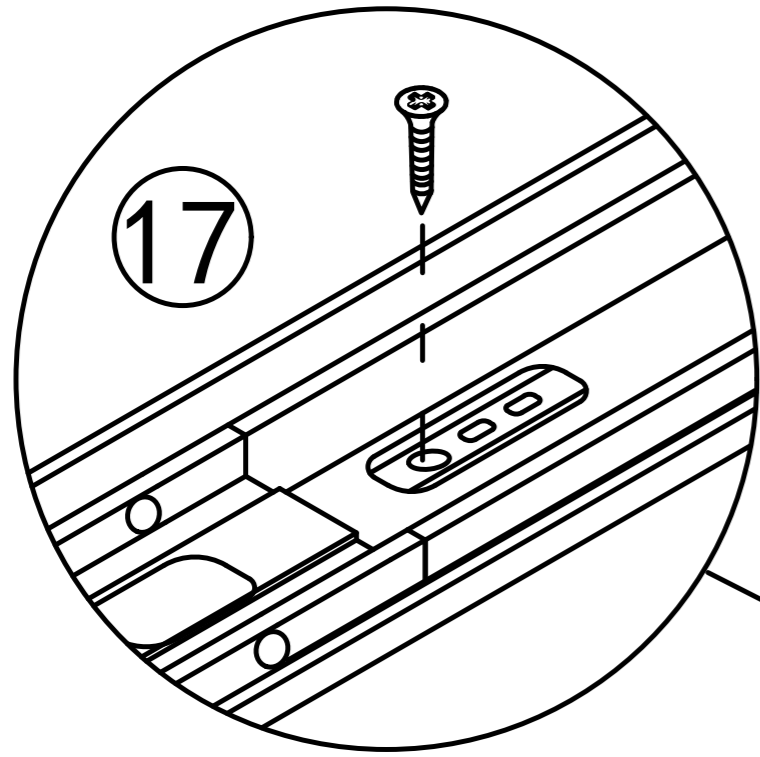
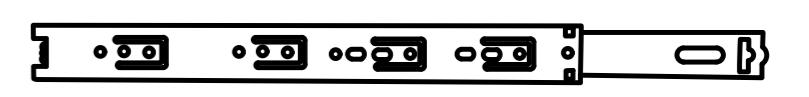


Step 8

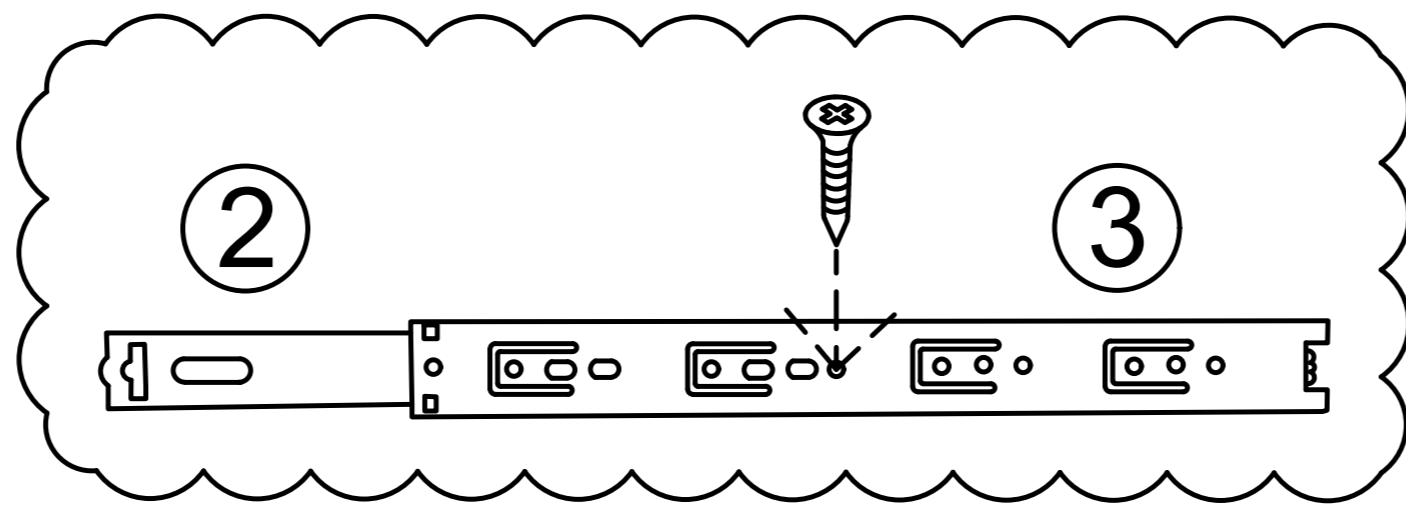


17

x 6

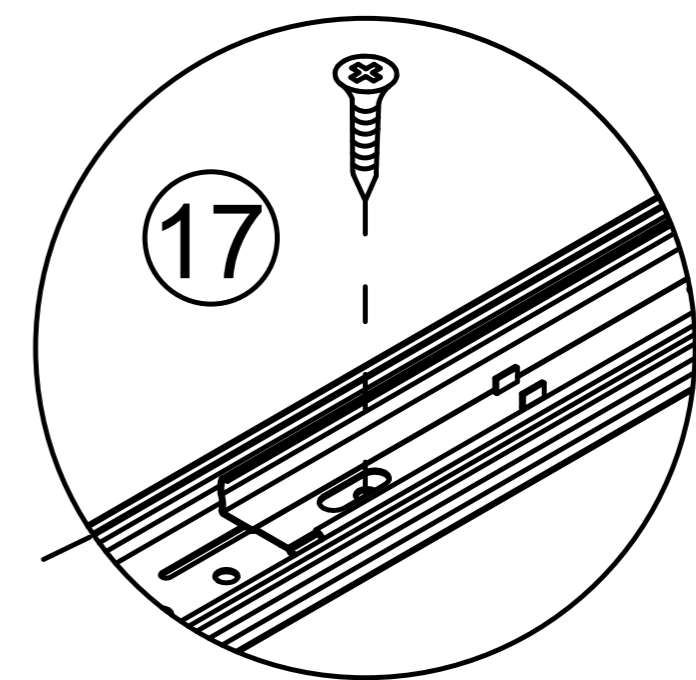
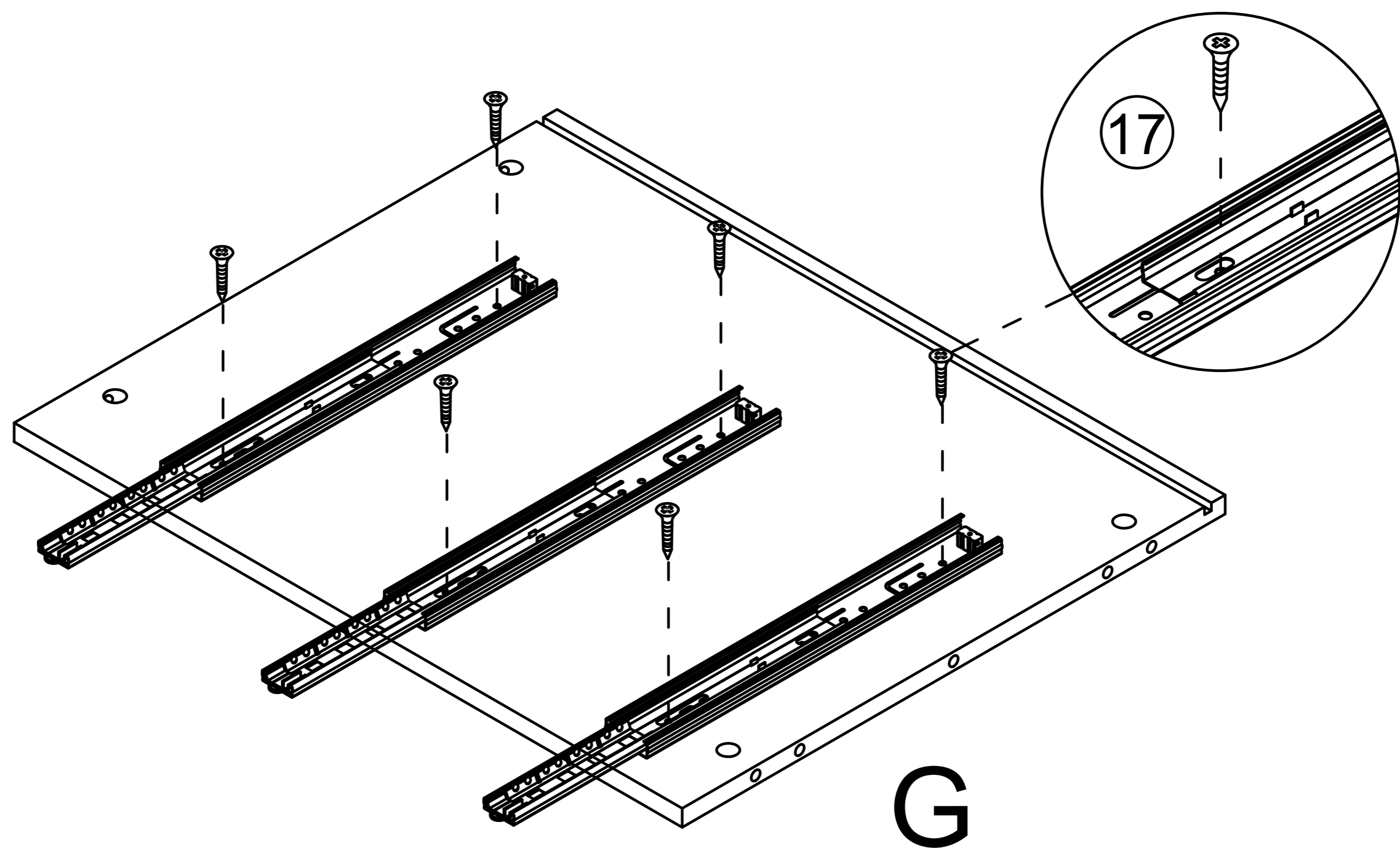


Step 9



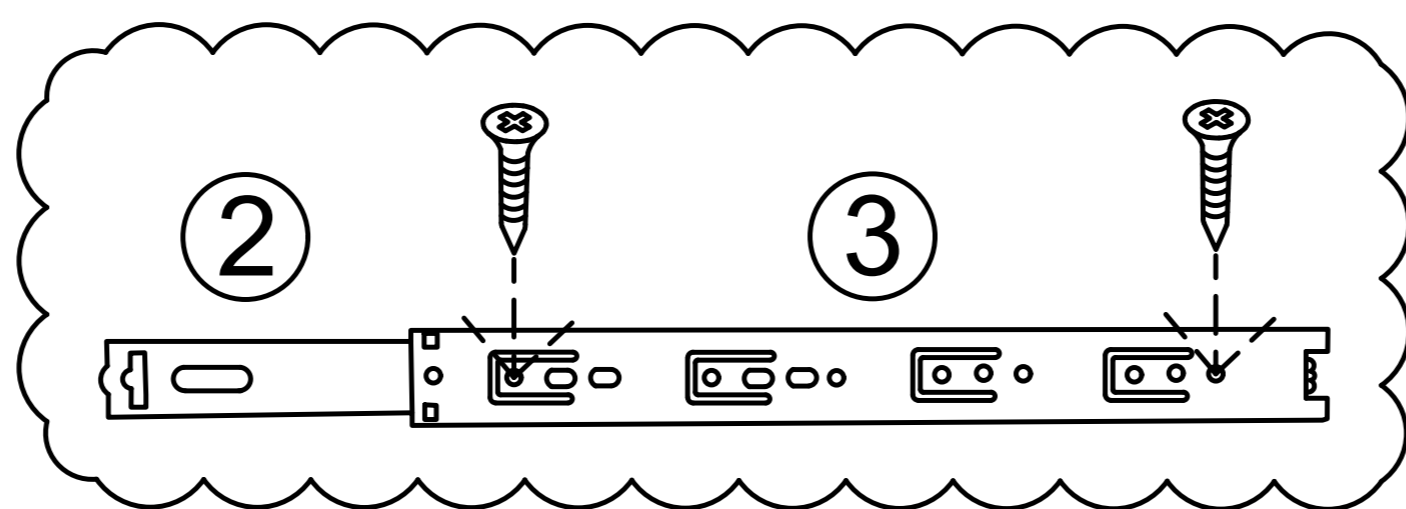
17

x 3

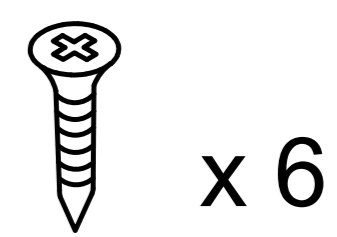


This hole is a rail fixing hole and can be installed as needed

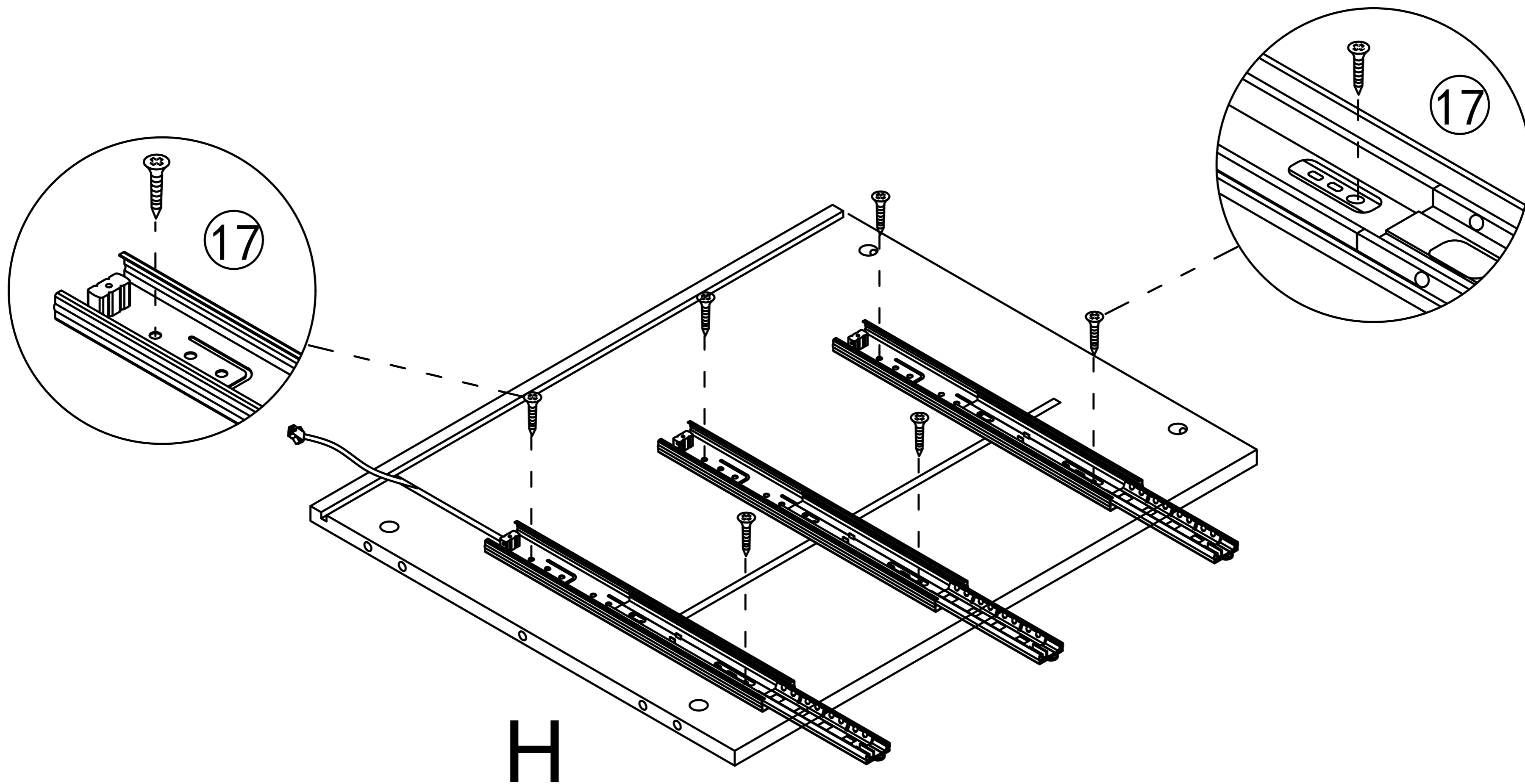
Step 10



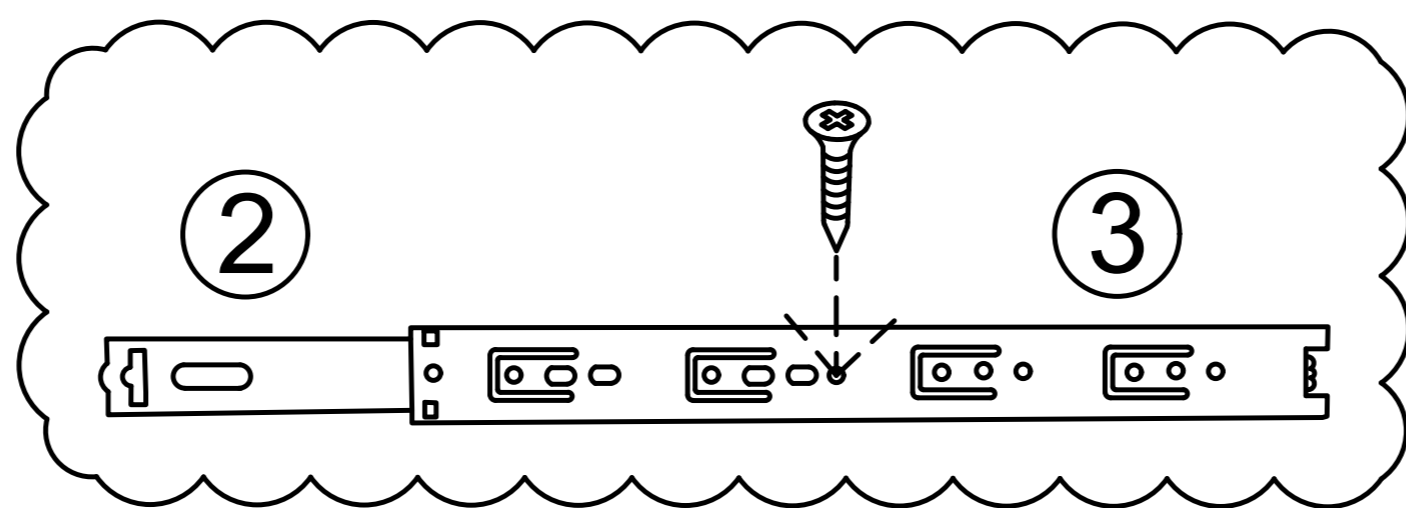
17



x 3



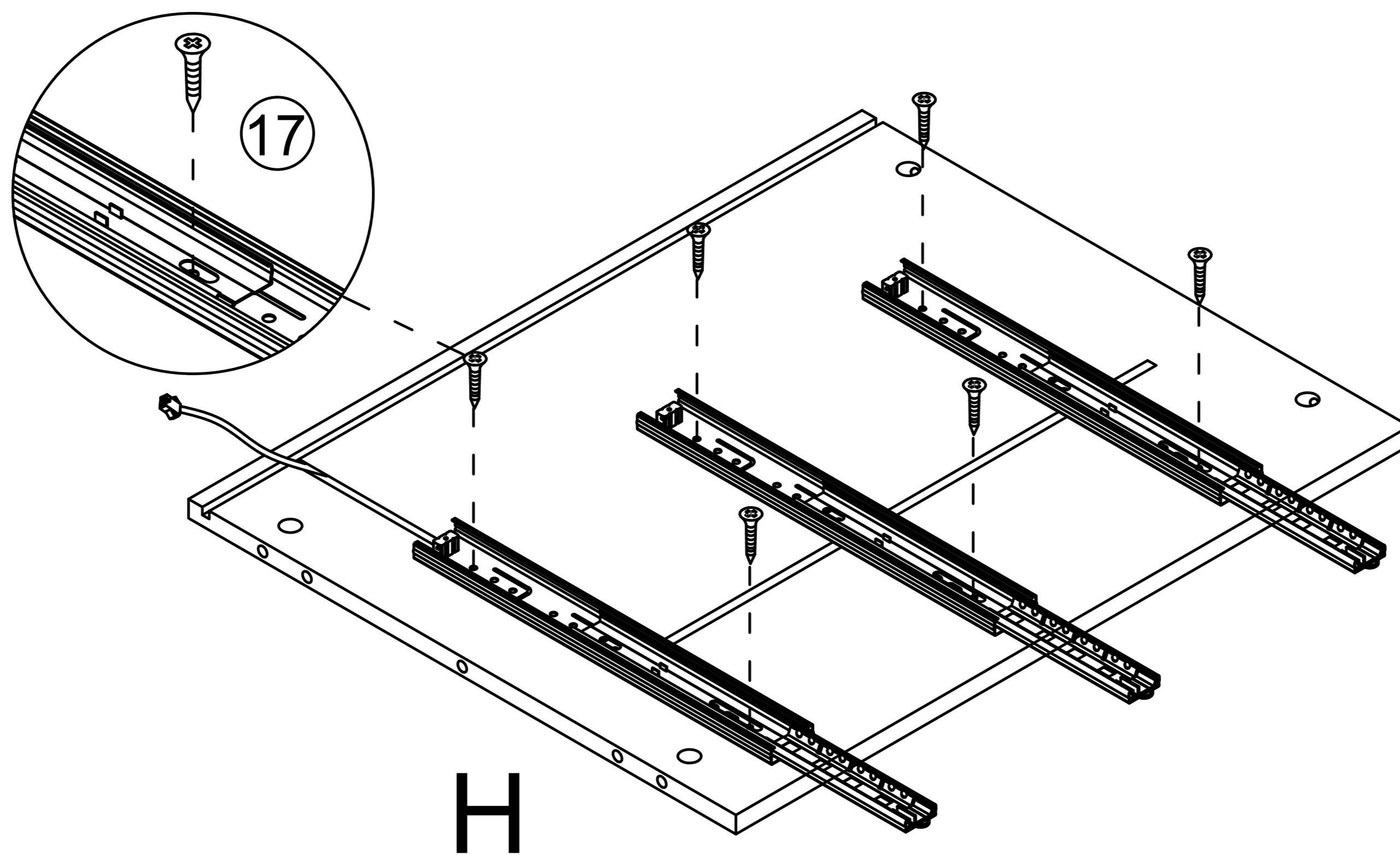
Step 11



17

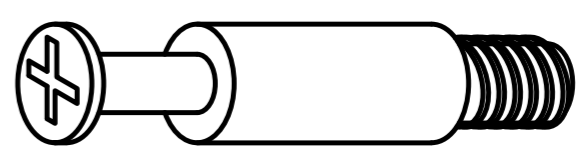



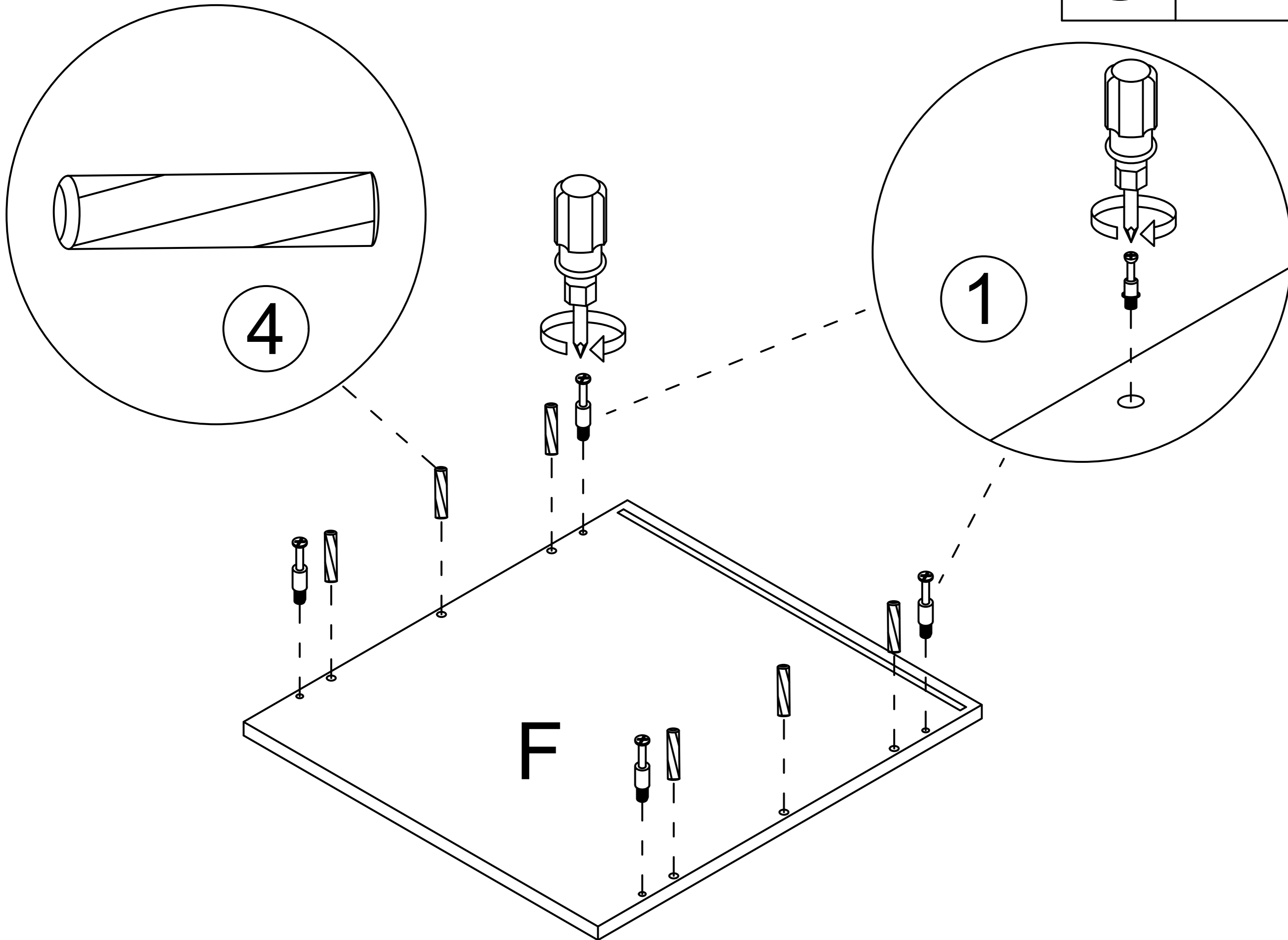
x 3



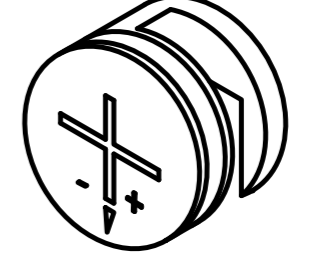
This hole is a rail fixing hole and can be installed as needed

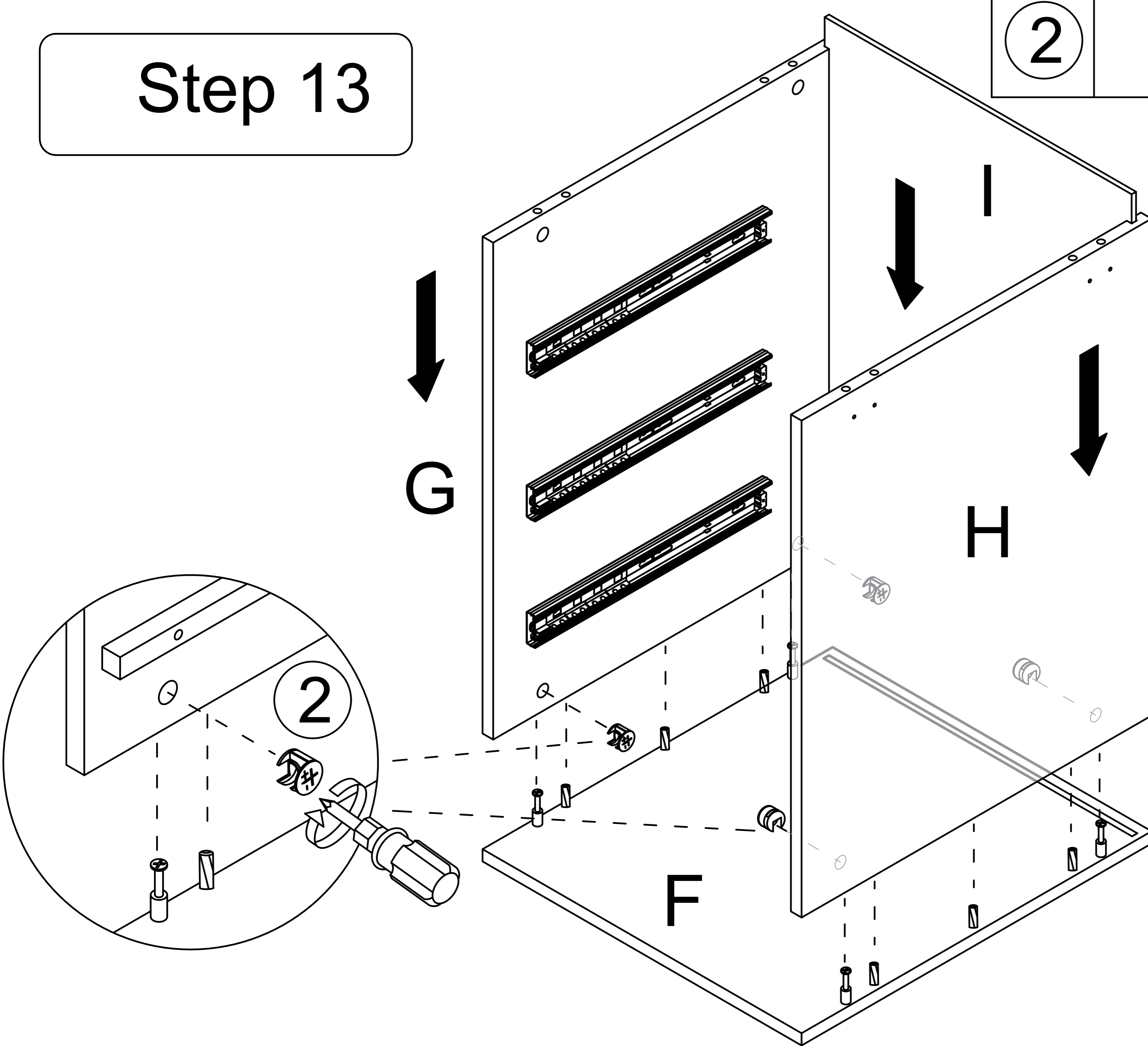
Step 12

1		x 4
4		x 6



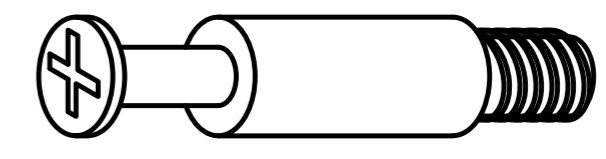
Step 13

2		x 4
---	---	-----

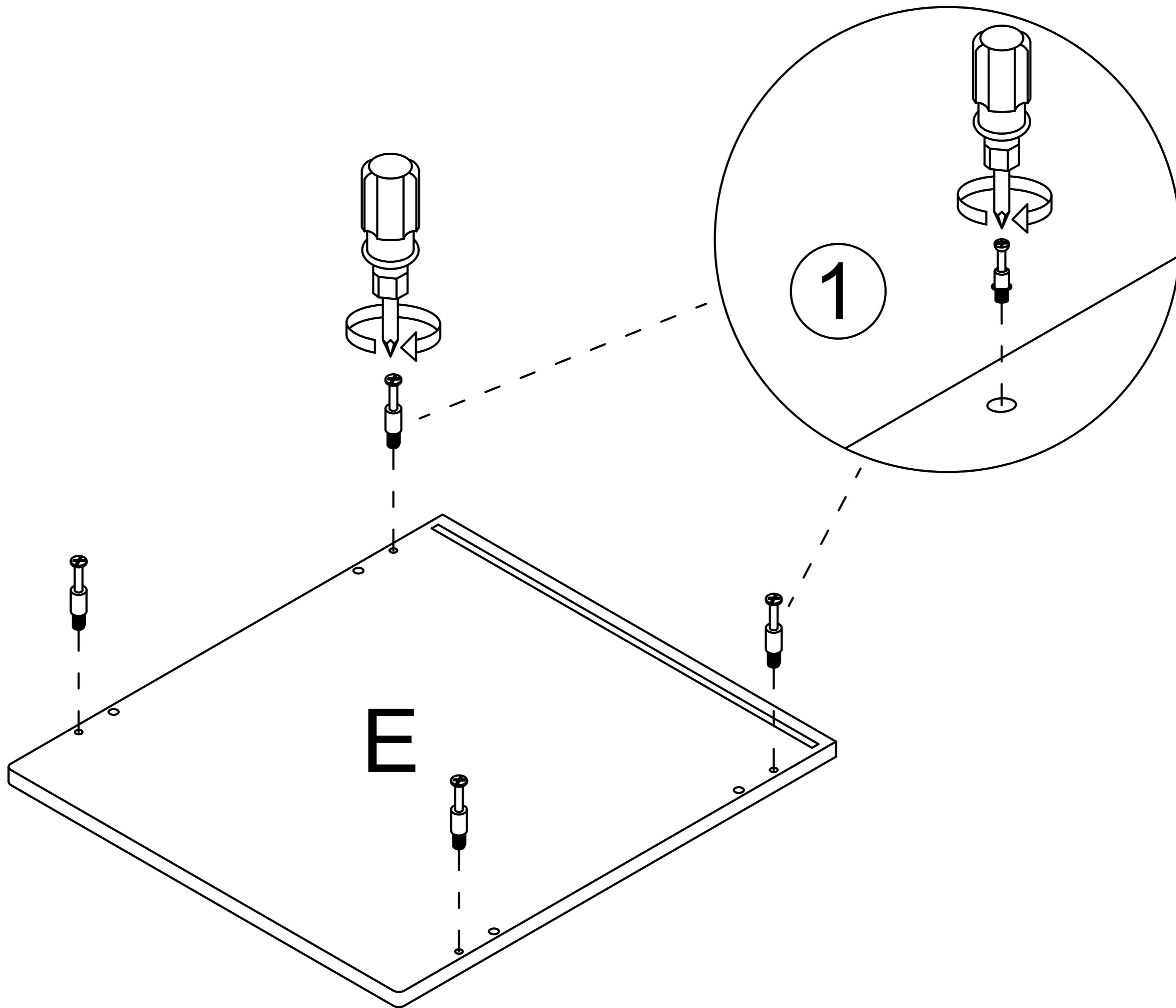


Step 14

1



x 4

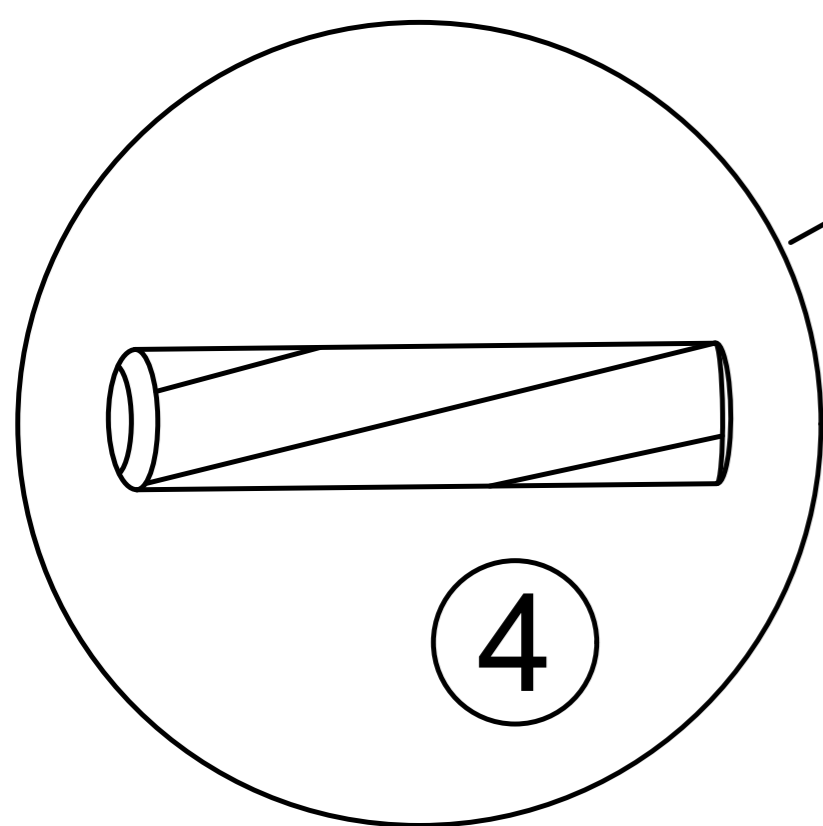


Step 15

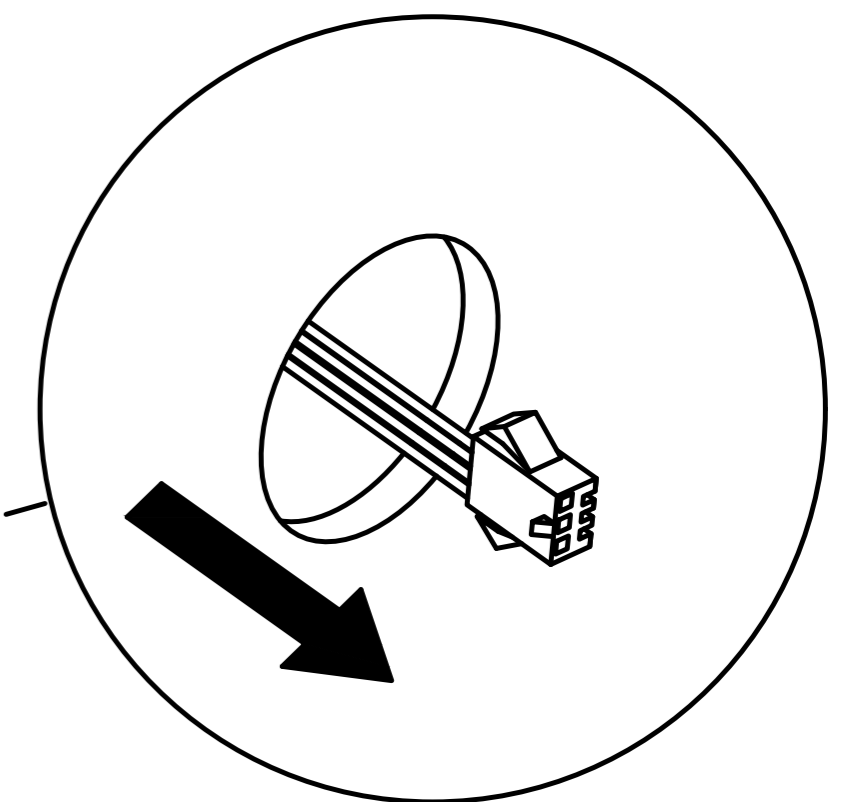
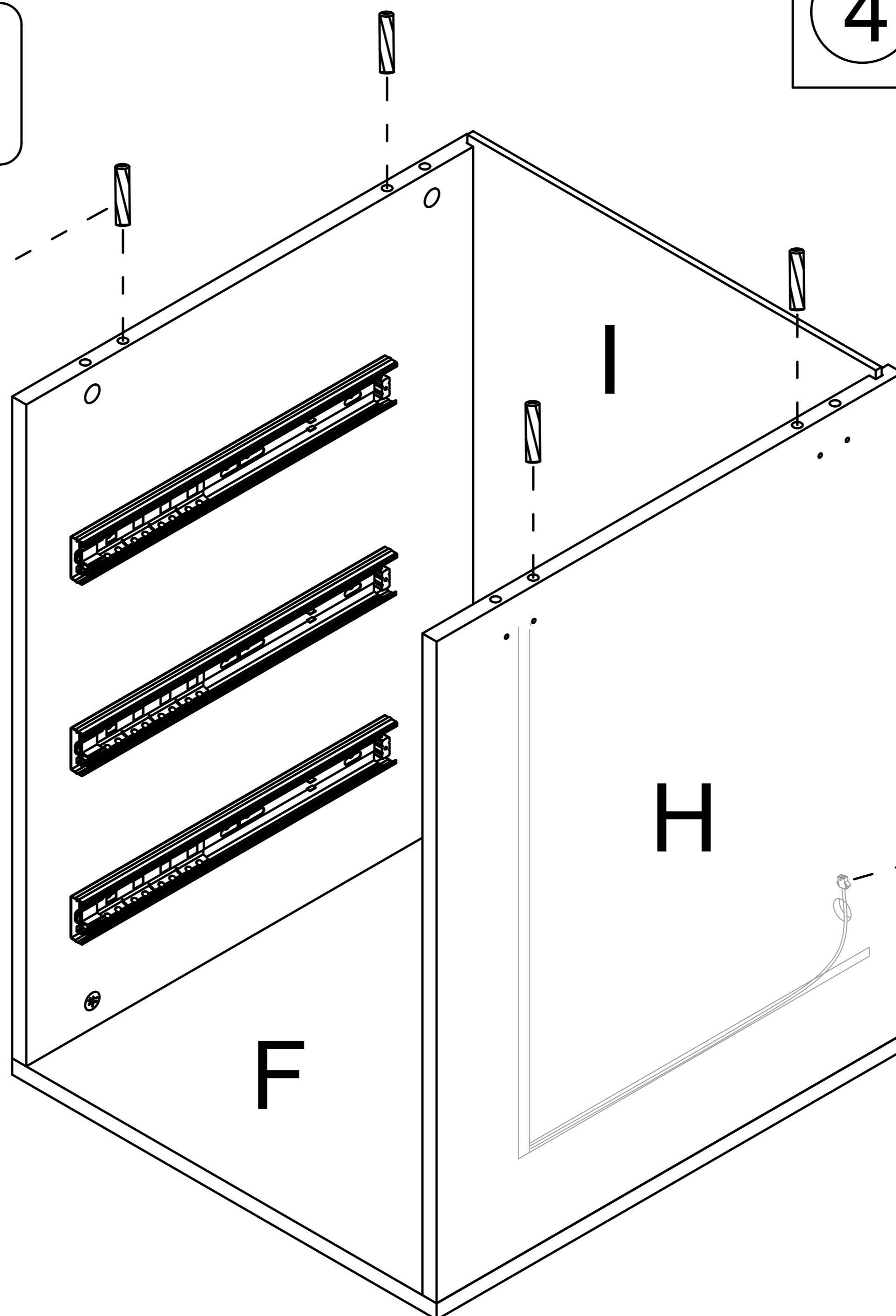
4



x 4

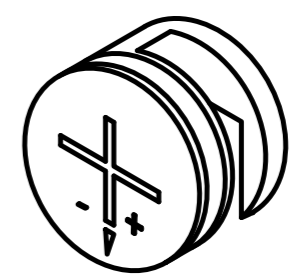


G

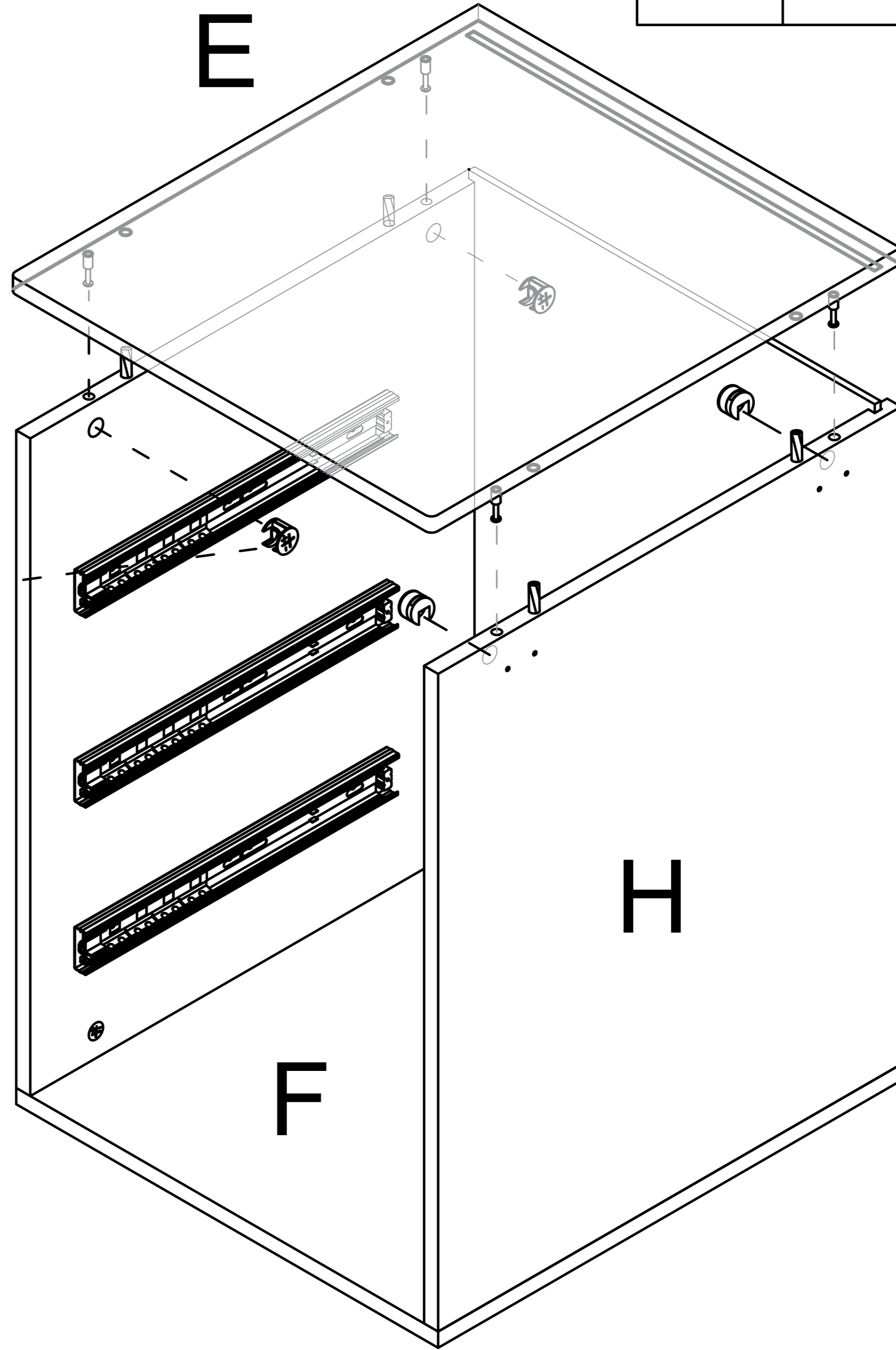
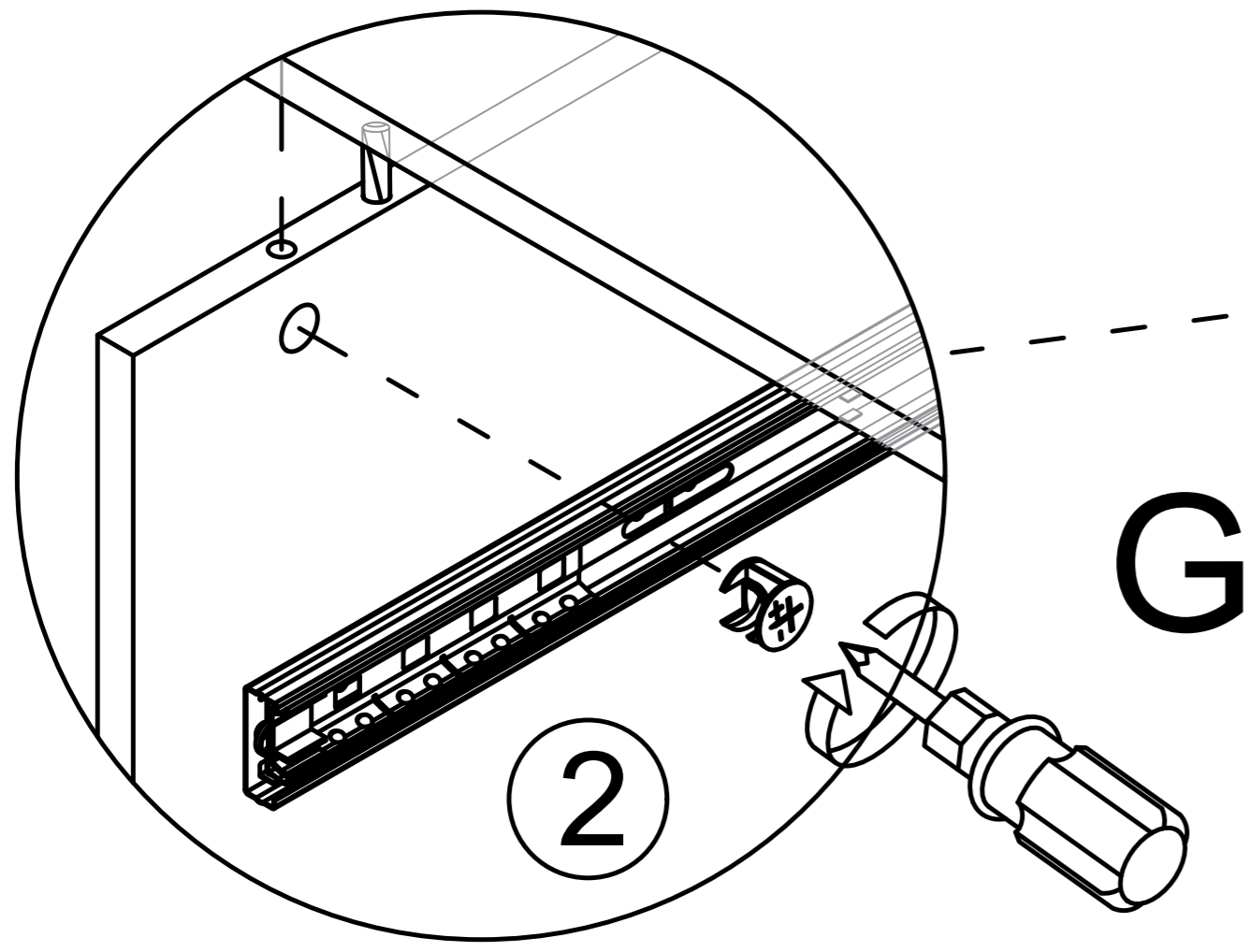


Step 16

2

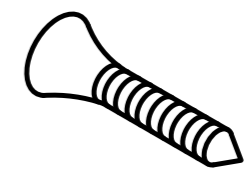
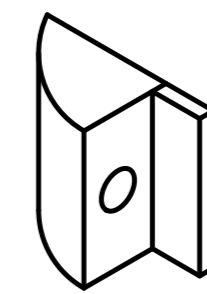


x 4

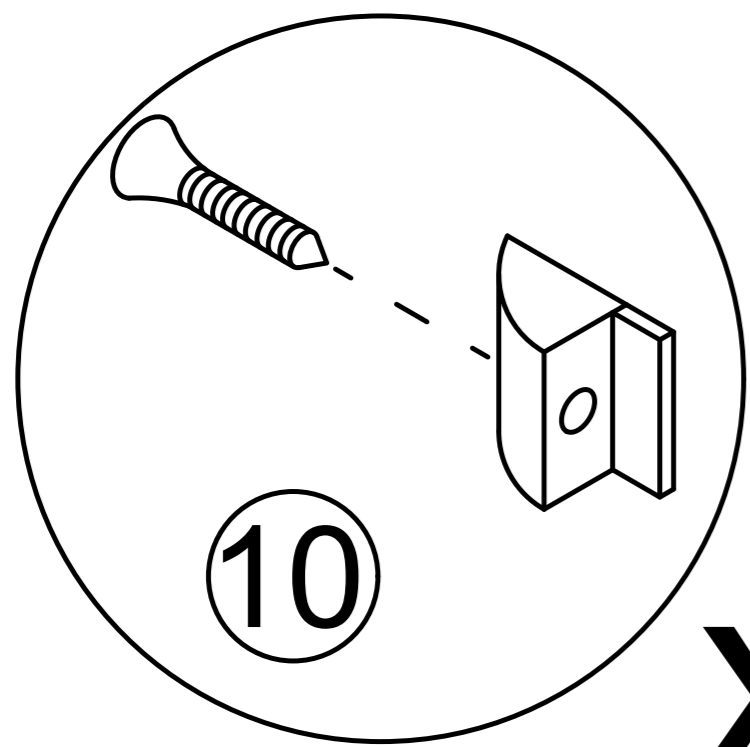


Step 17

10

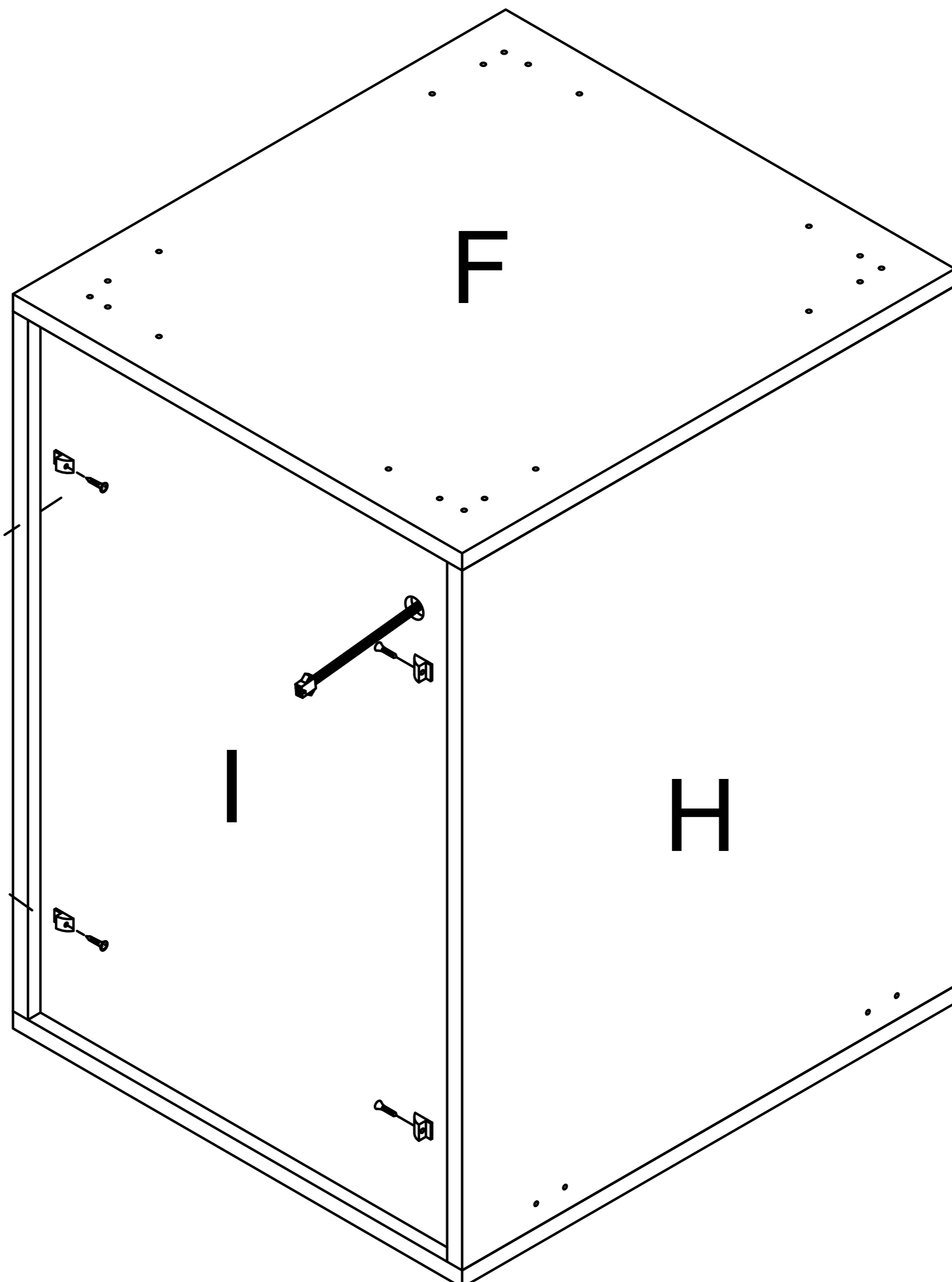


x 4



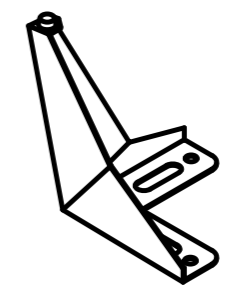
x4

3x16mm



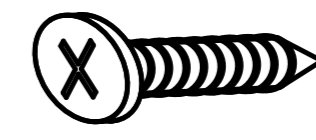
Step 18

19

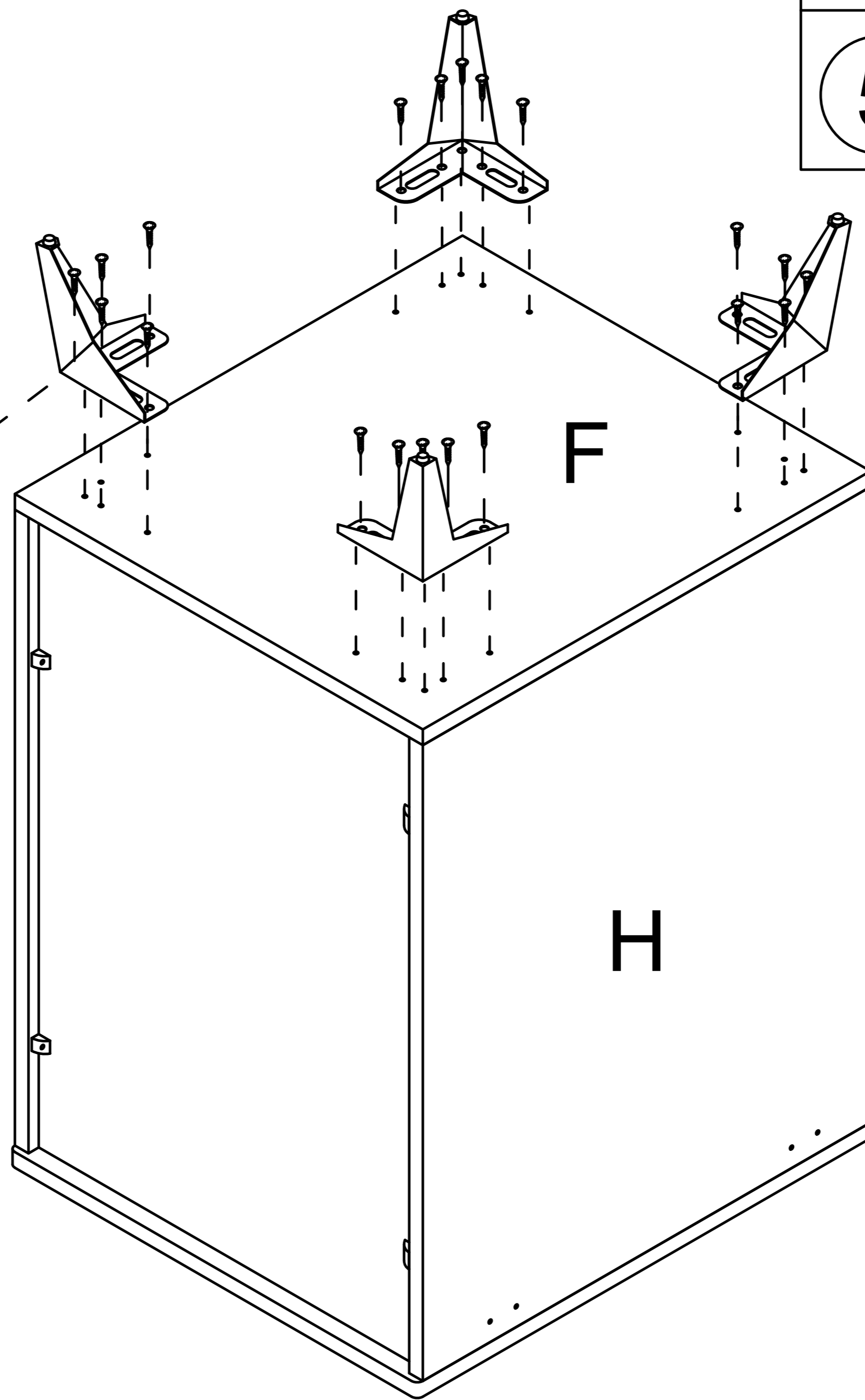
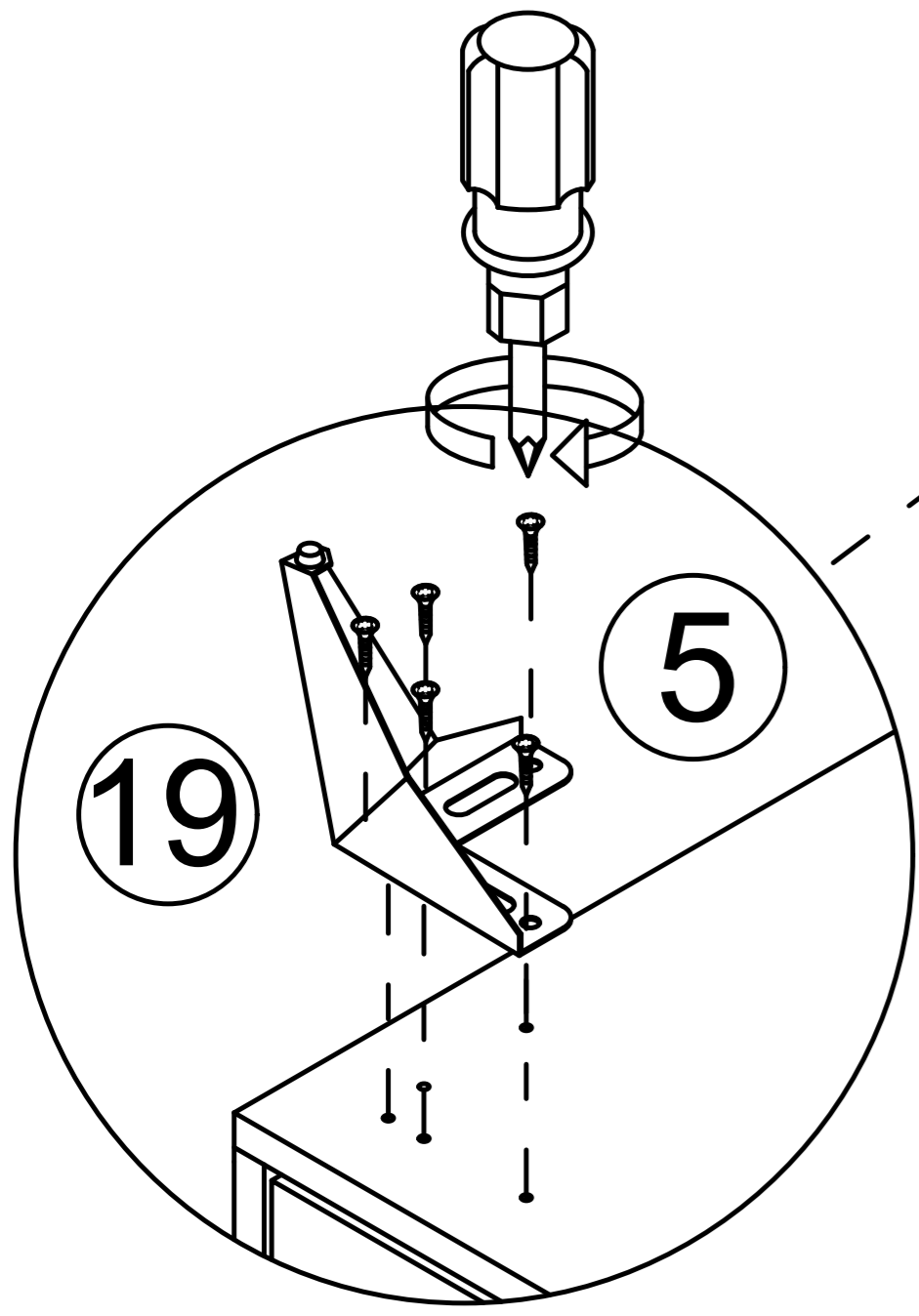


x 4

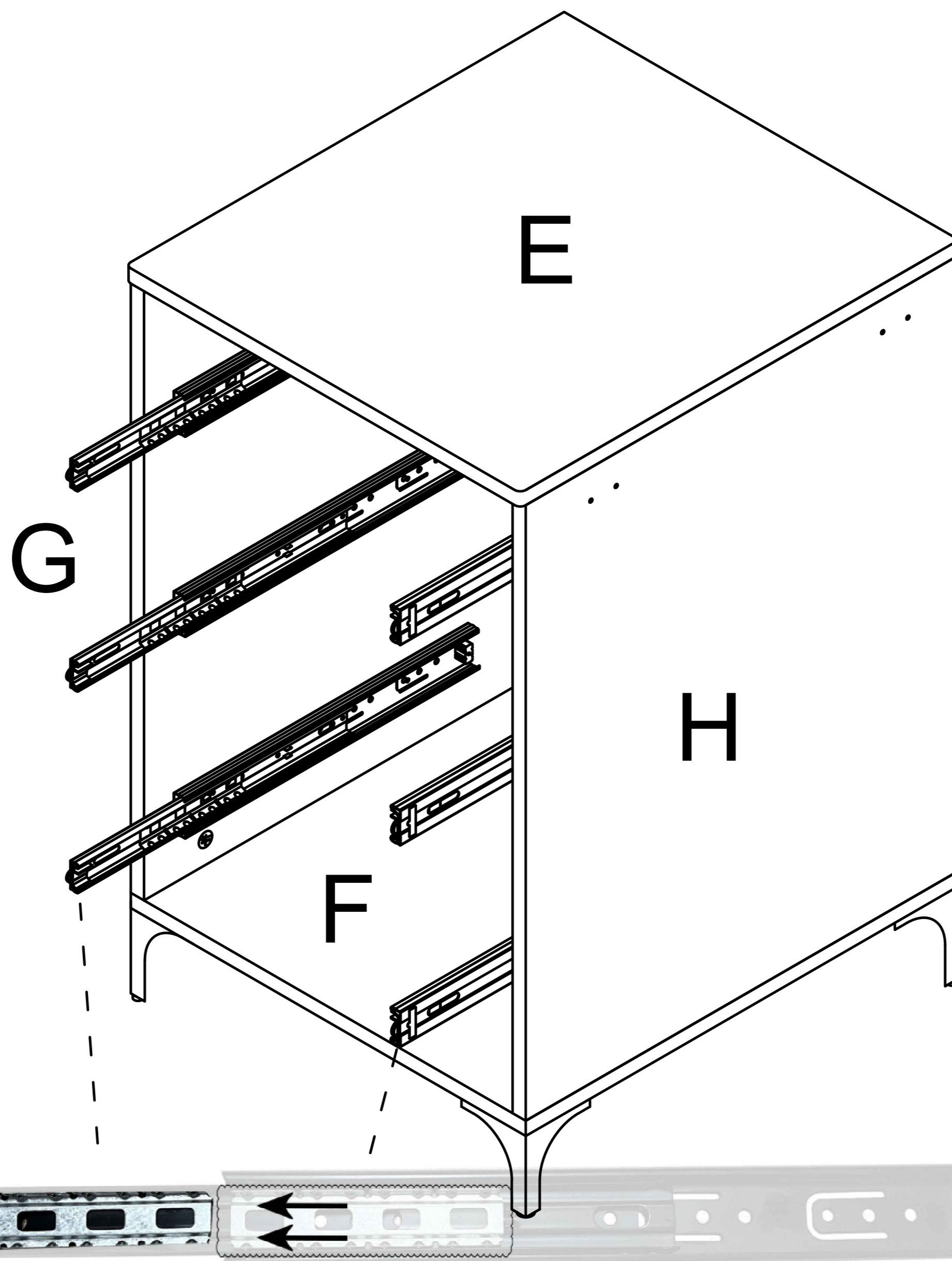
5



x 20

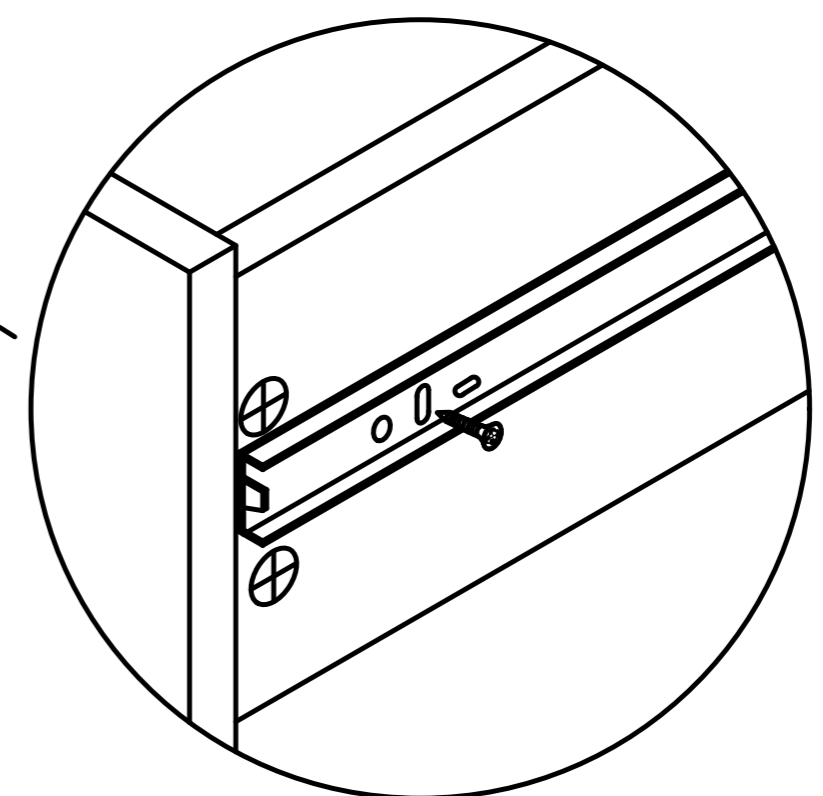
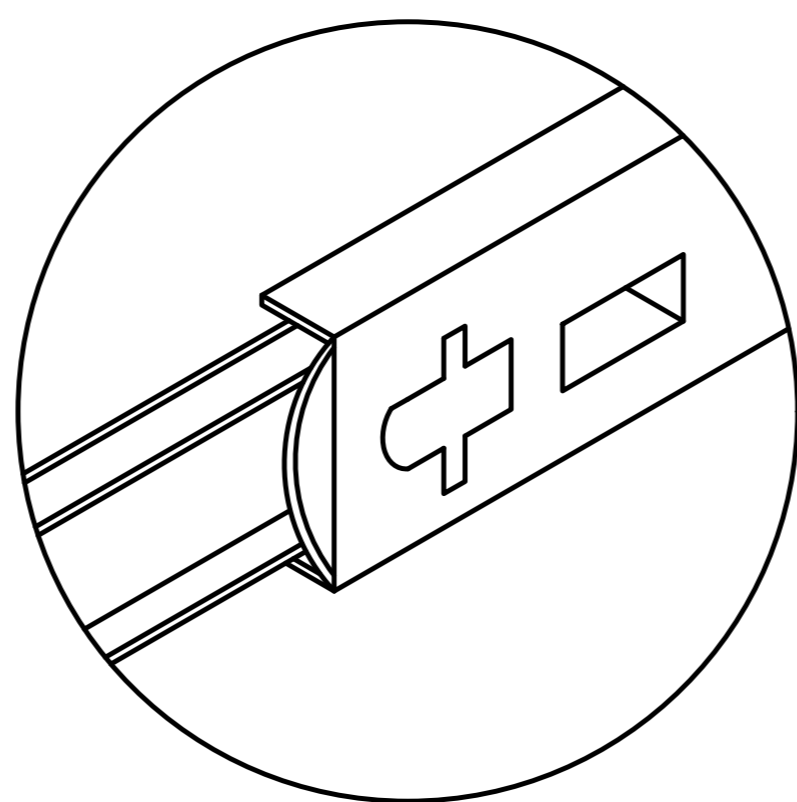
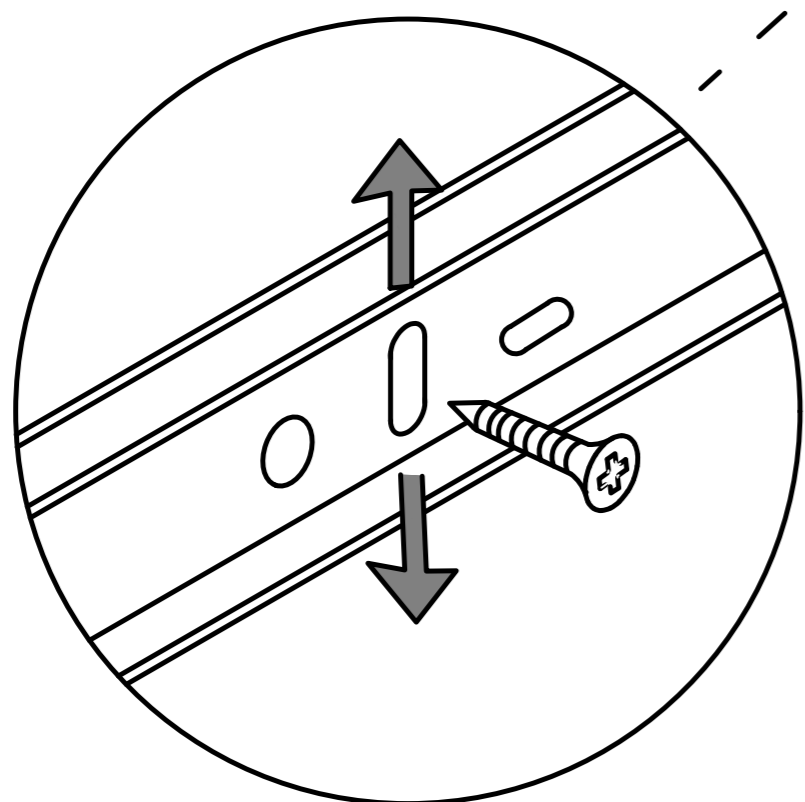
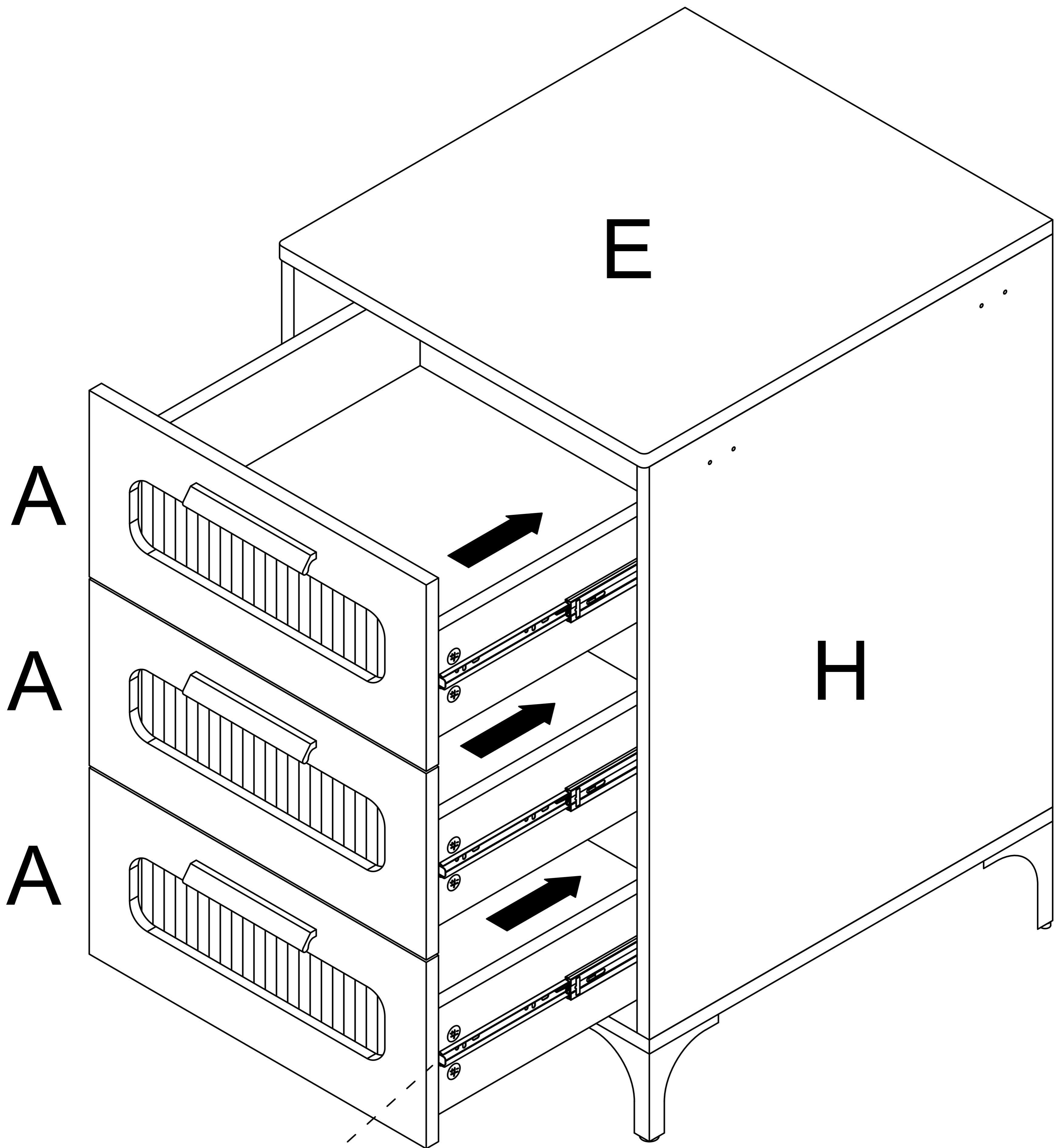


Step 19

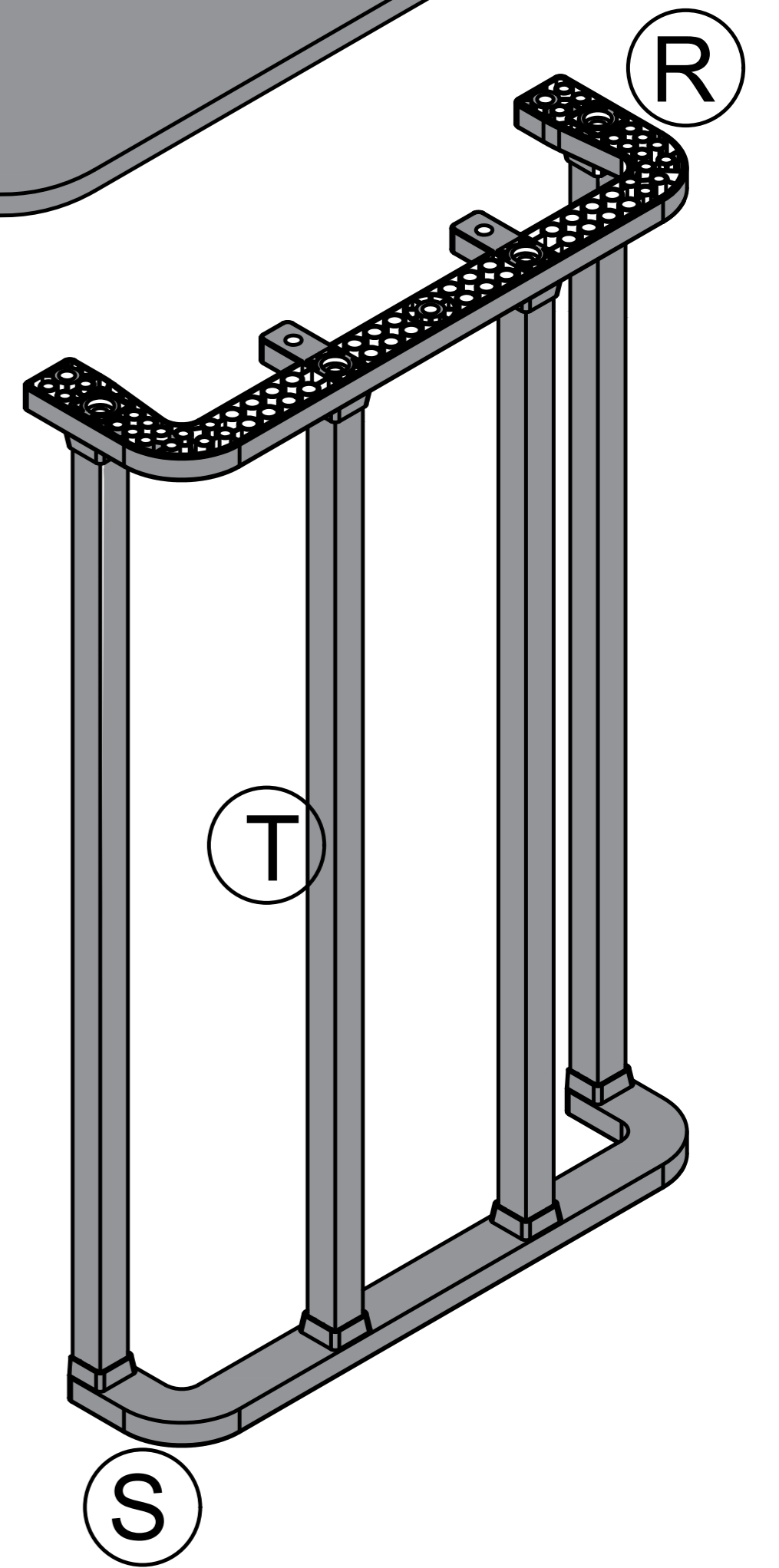
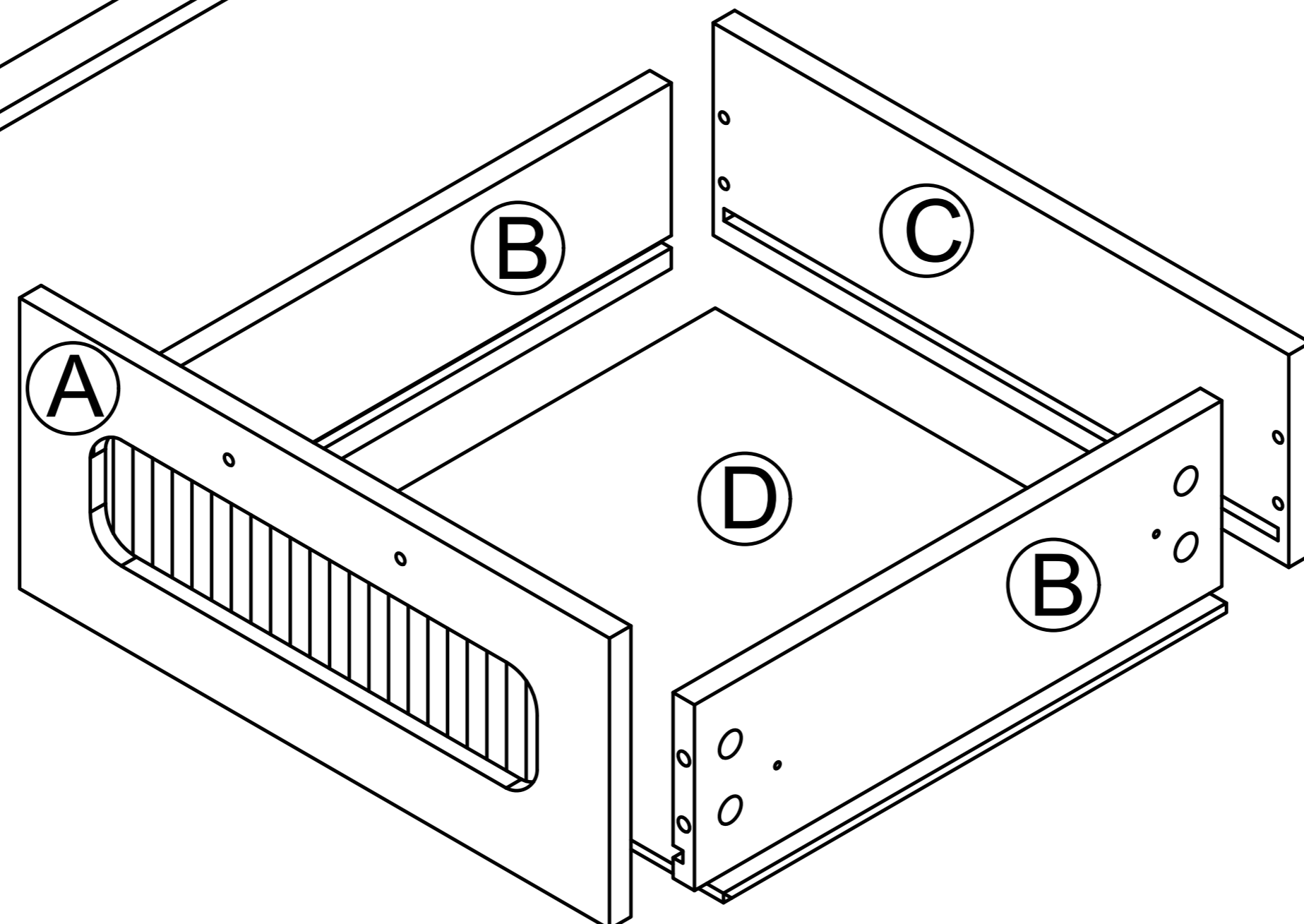
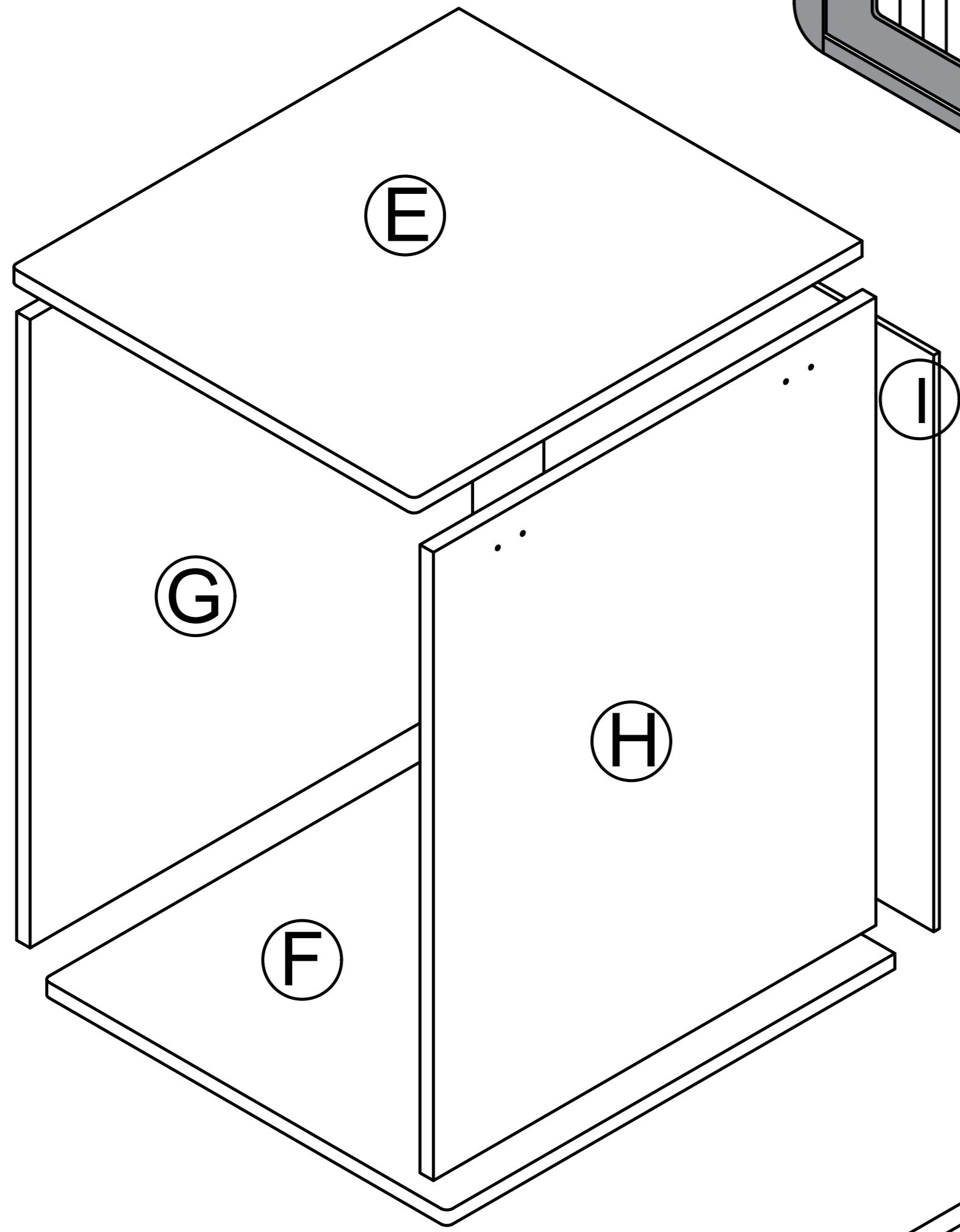
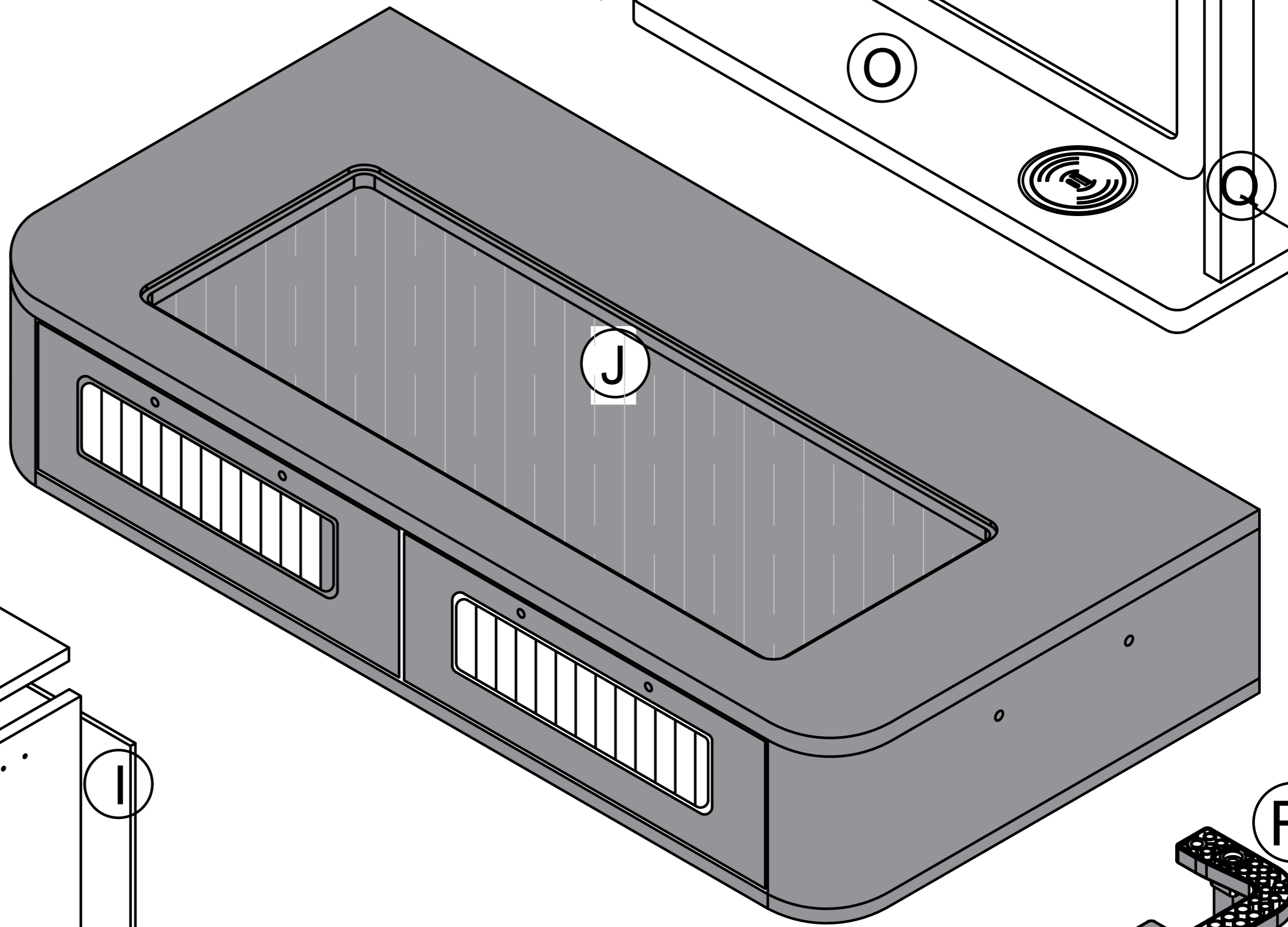
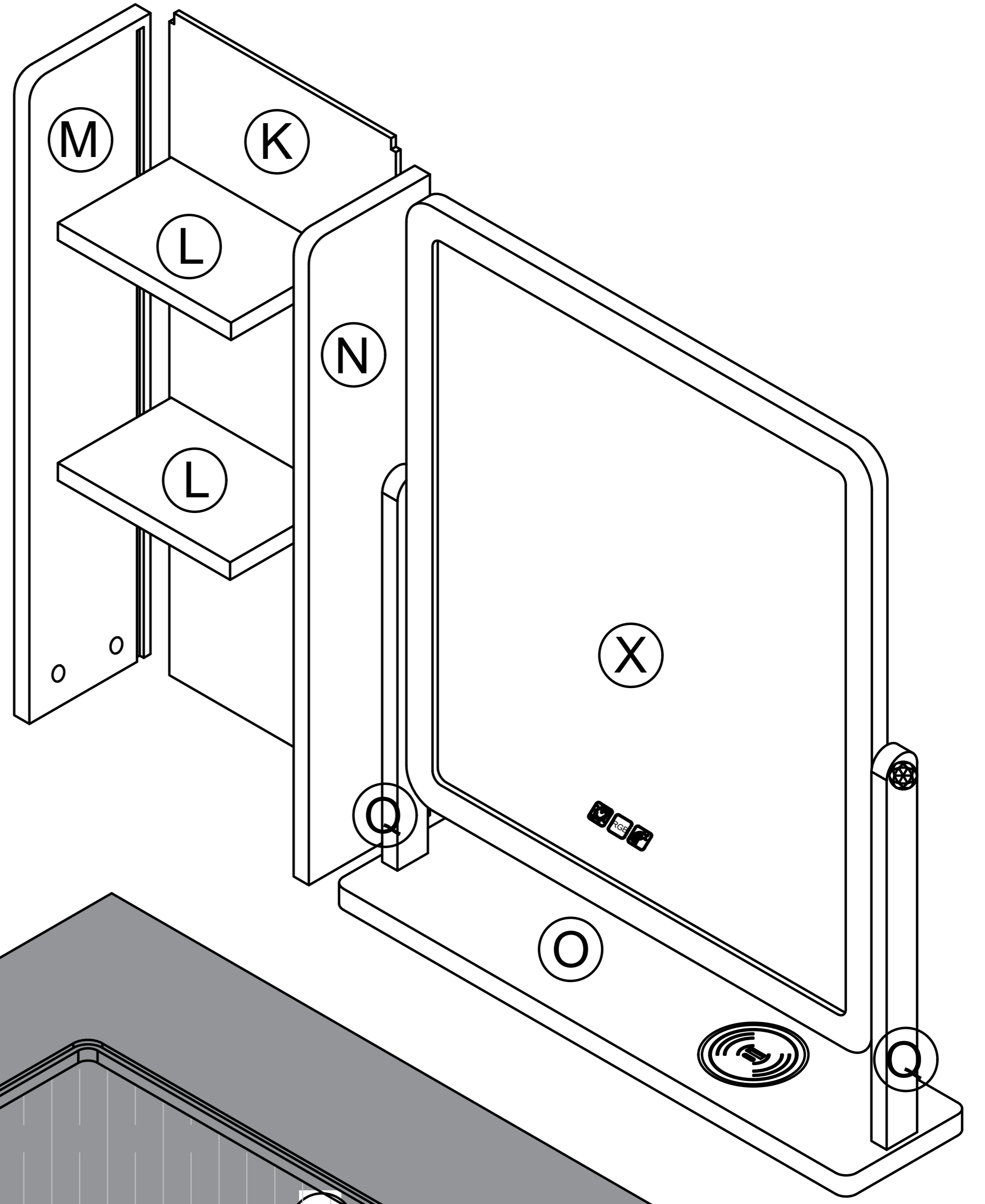
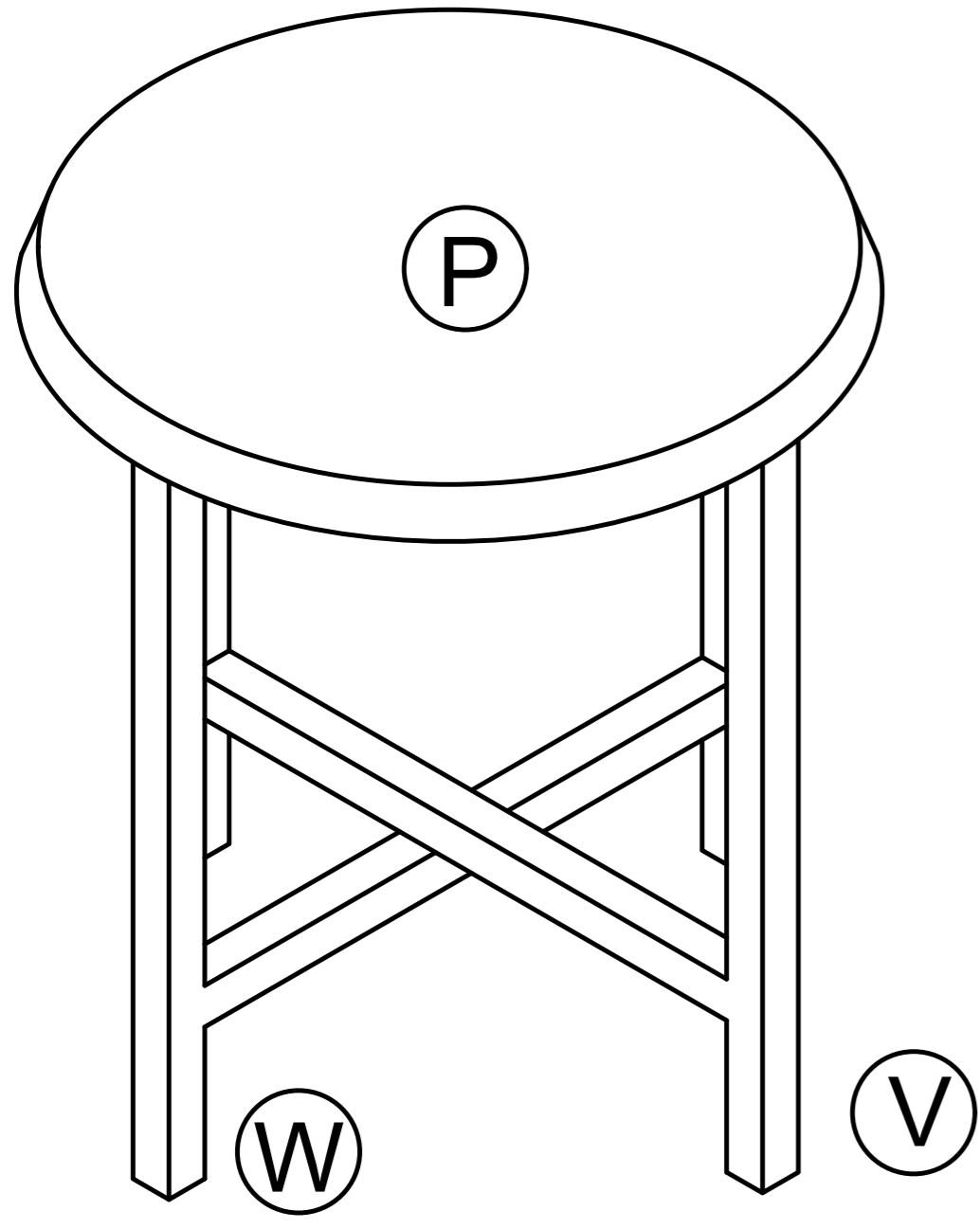


As shown, When installing the drawer, pull the guide rail out first, Slide beads are also pulled out.

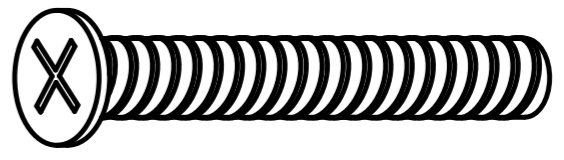
Step 20

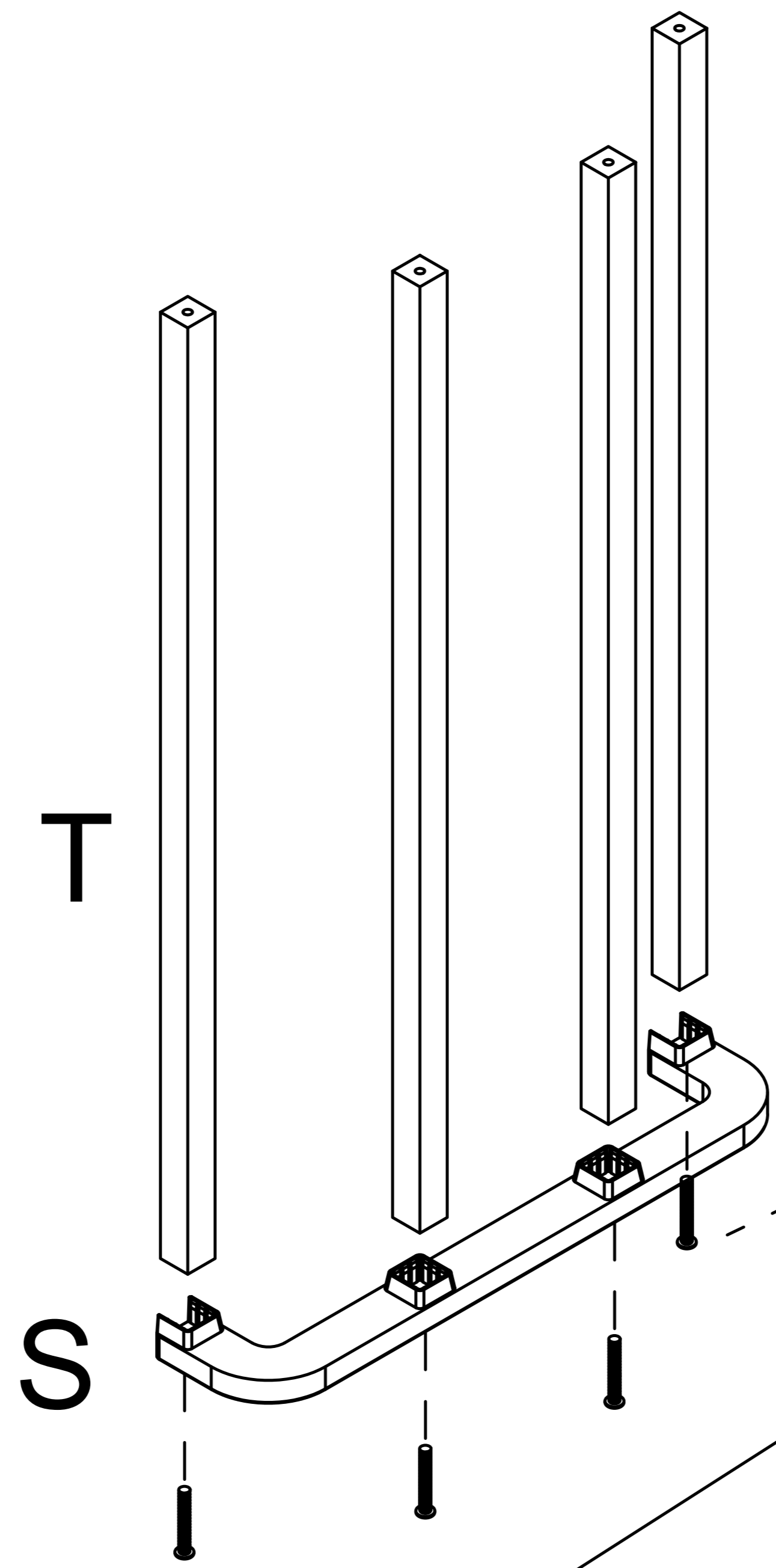


If a large gap is found after installing the drawer the slide rail can be moved up and down to adjust the gap

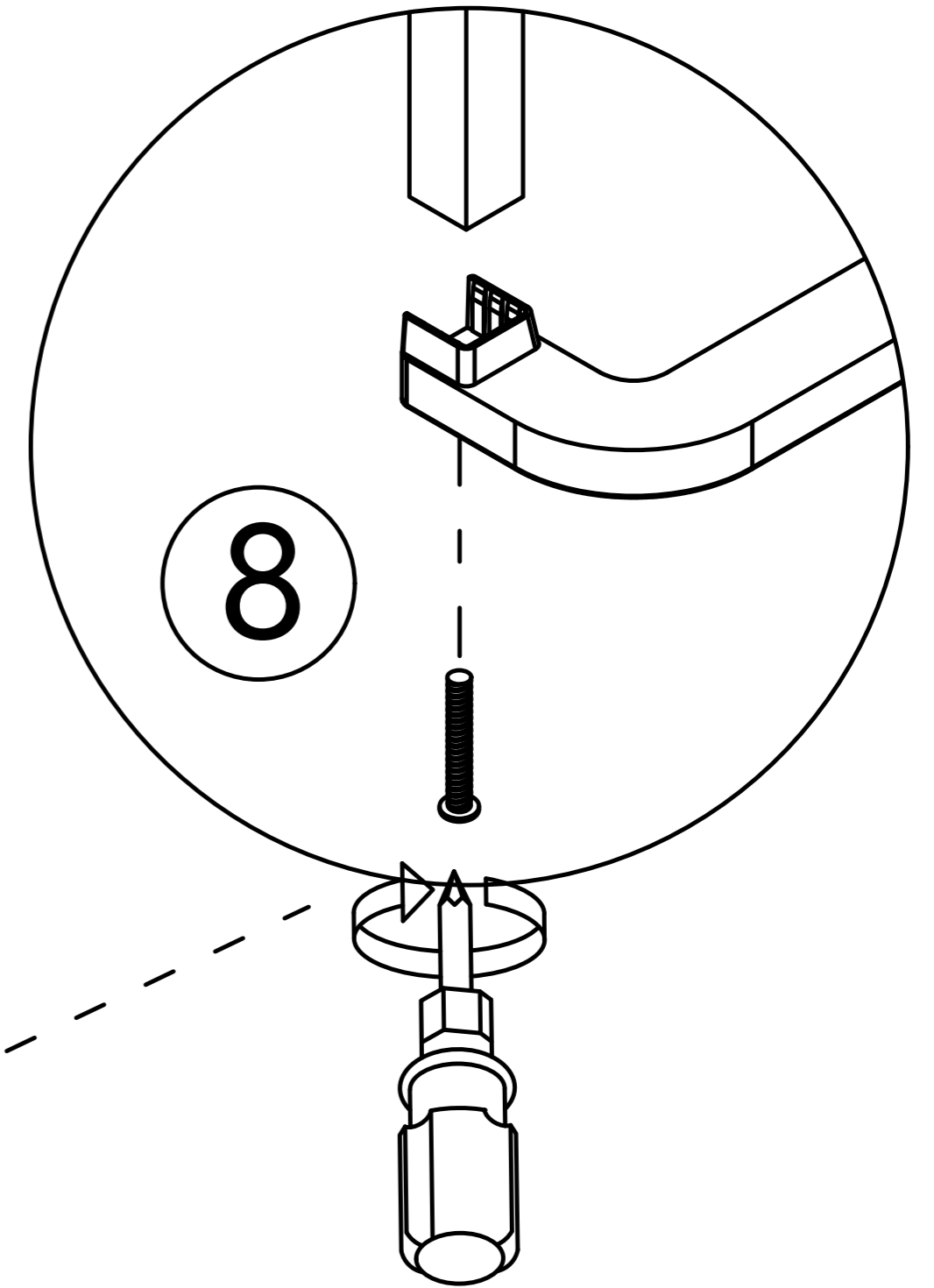


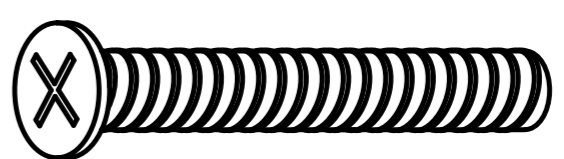
Step 21

8  x 4



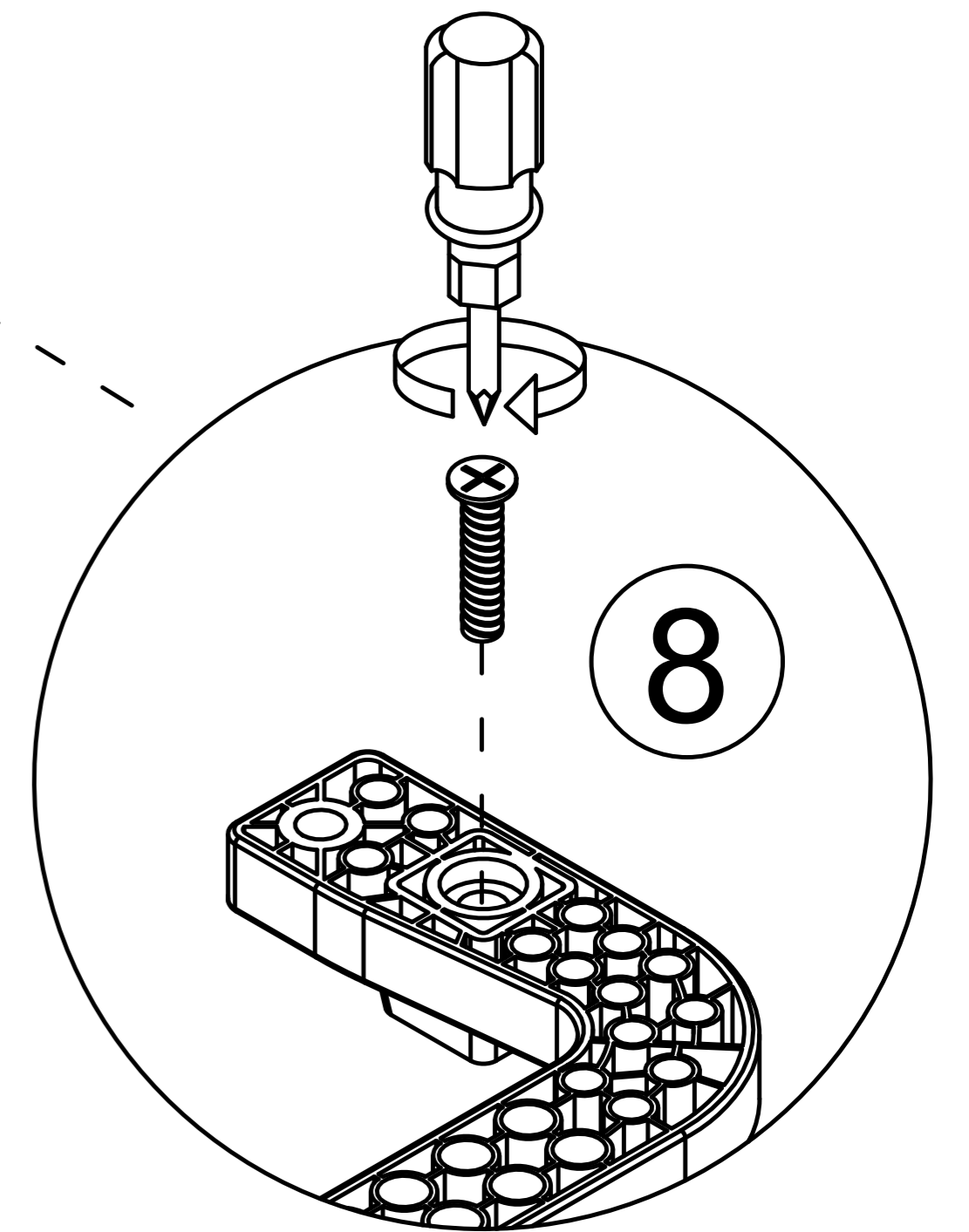
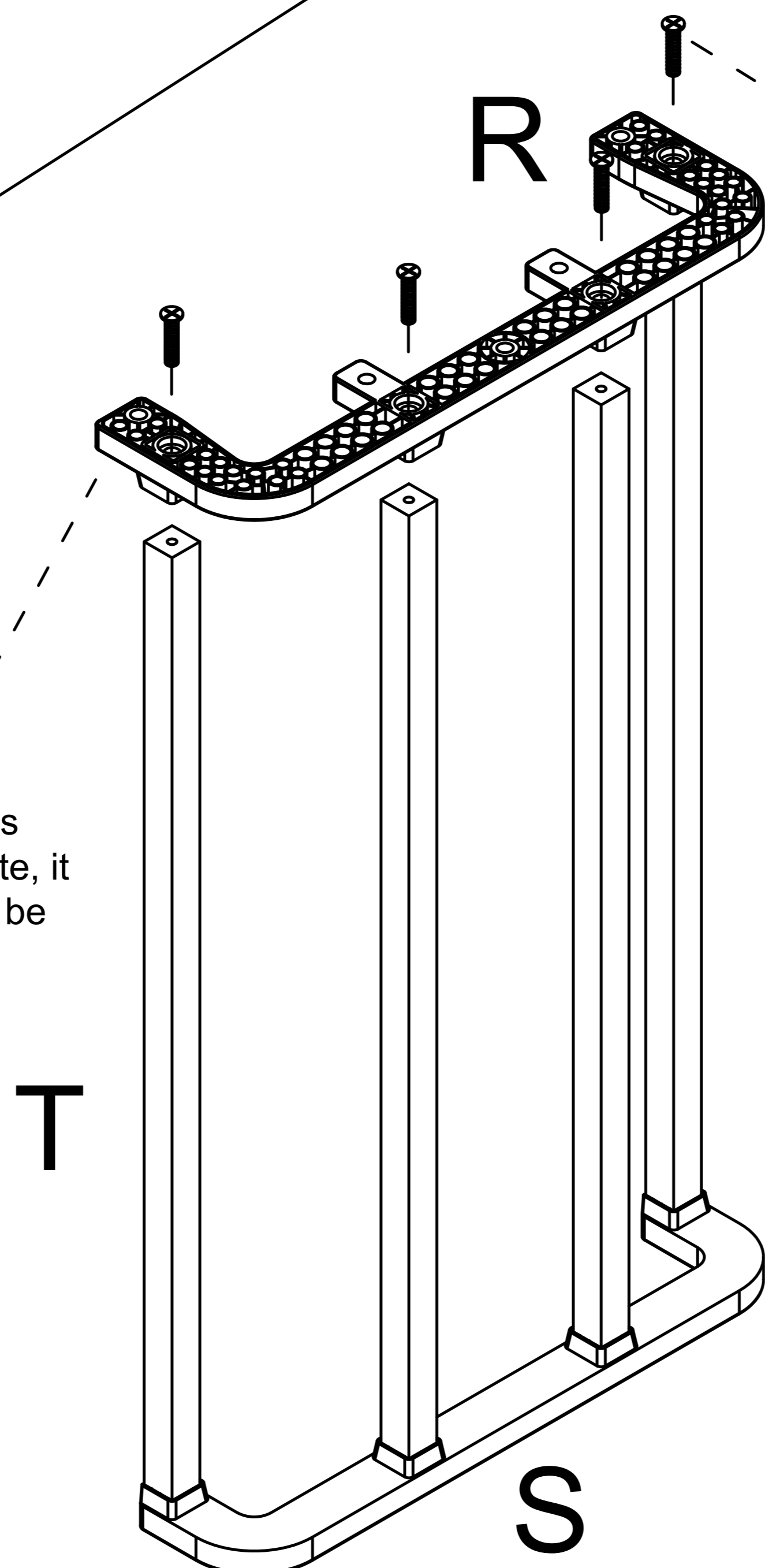
Install screws on the counterbore side



8  x 4

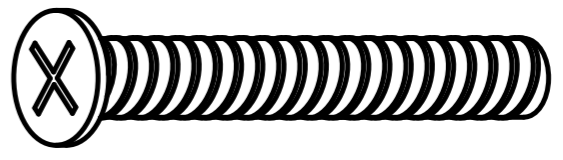

Step 22

The hole design is misaligned, after the screw is installed, if the screw is higher than the iron plate, it is wrong, and the R wrought iron strip needs to be reversed and reinstalled

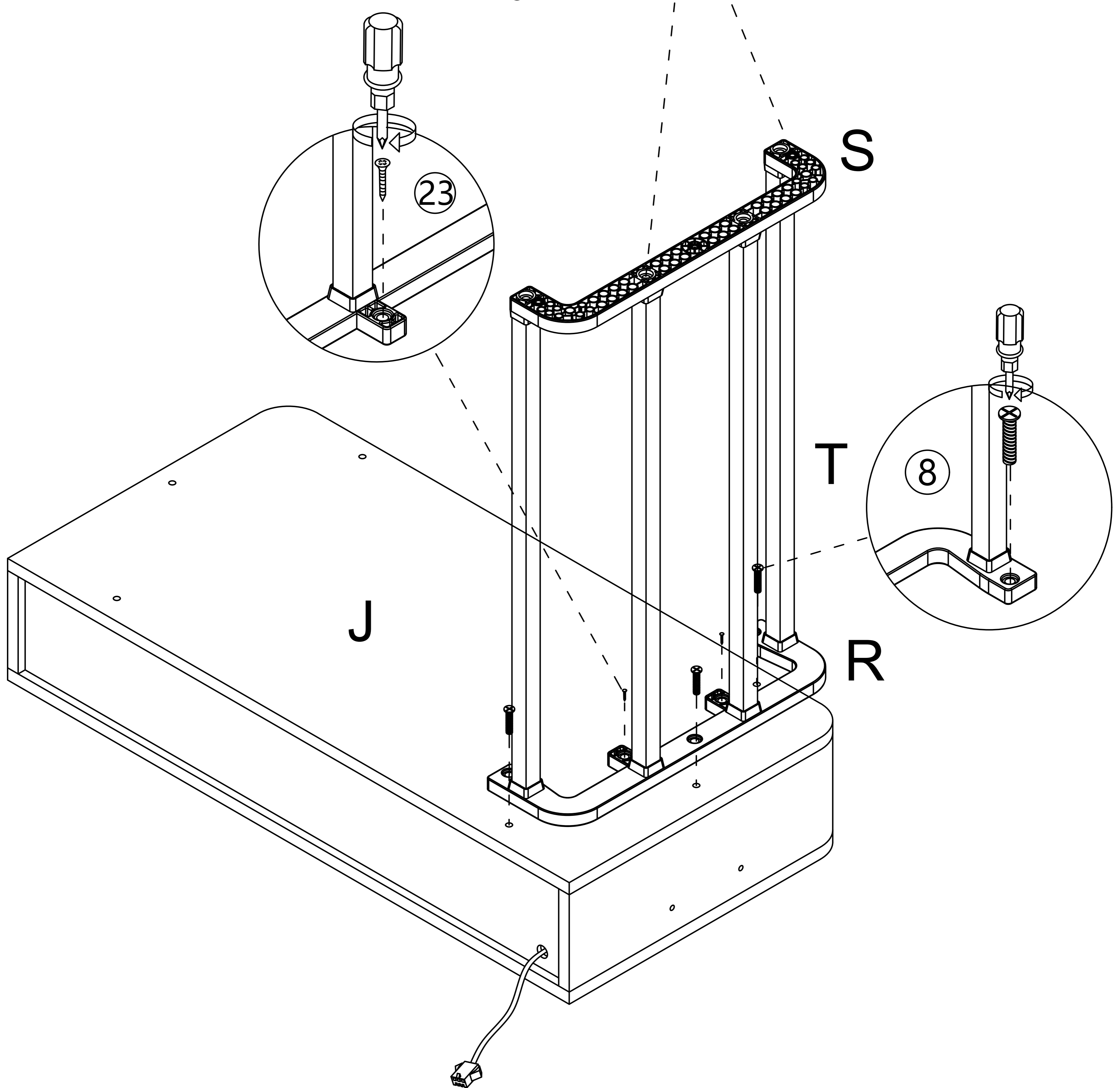


Install screws on the counterbore side

Step 23

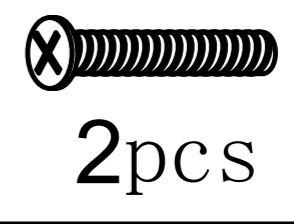
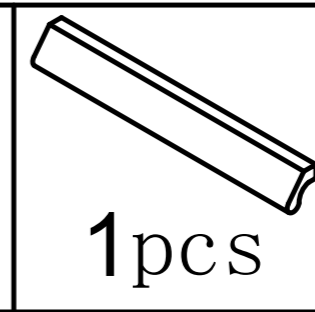
8		x 3
23		x 2

Note that the foot pad at the bottom of the iron frame S can be rotated and adjusted according to the actual situation.

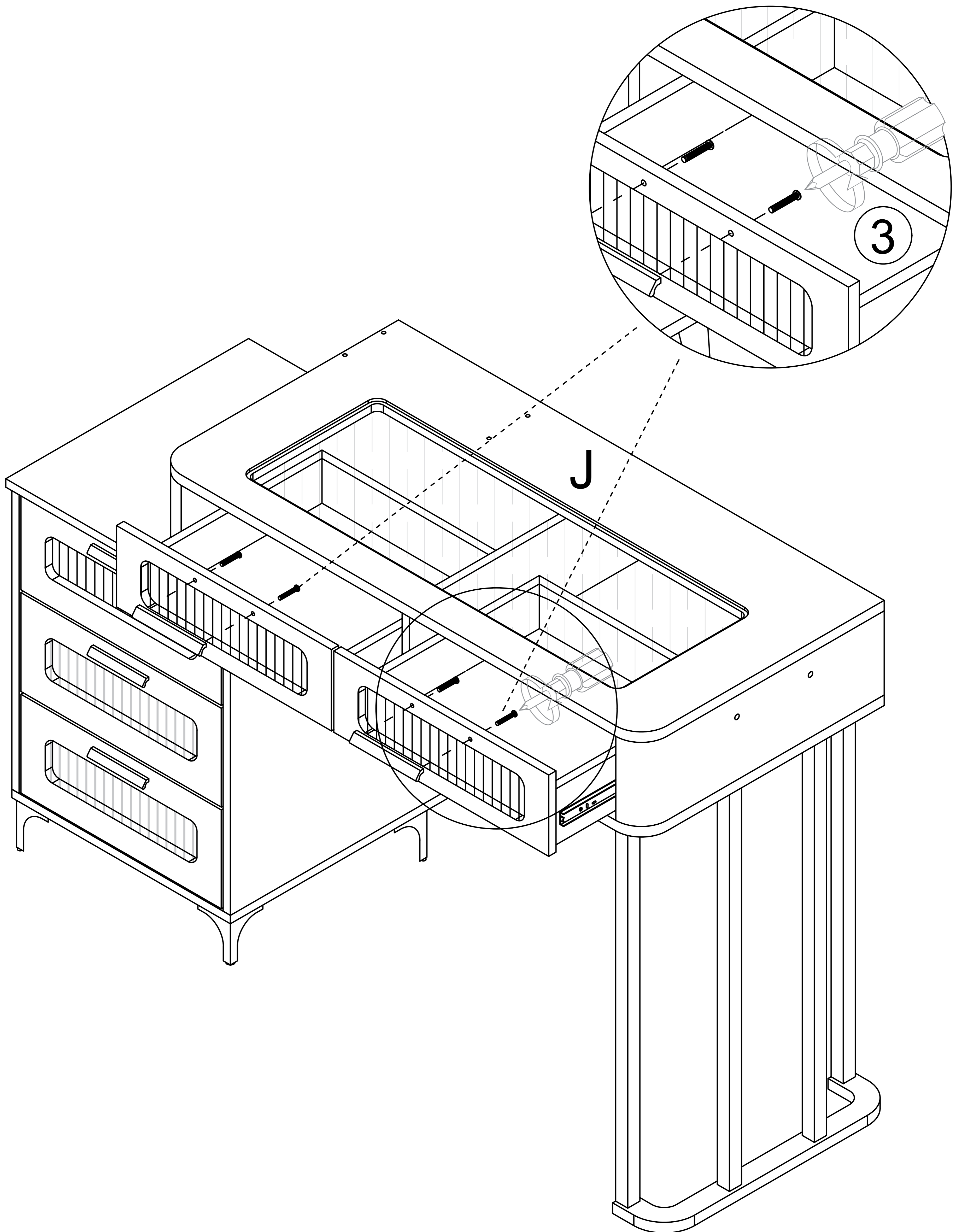


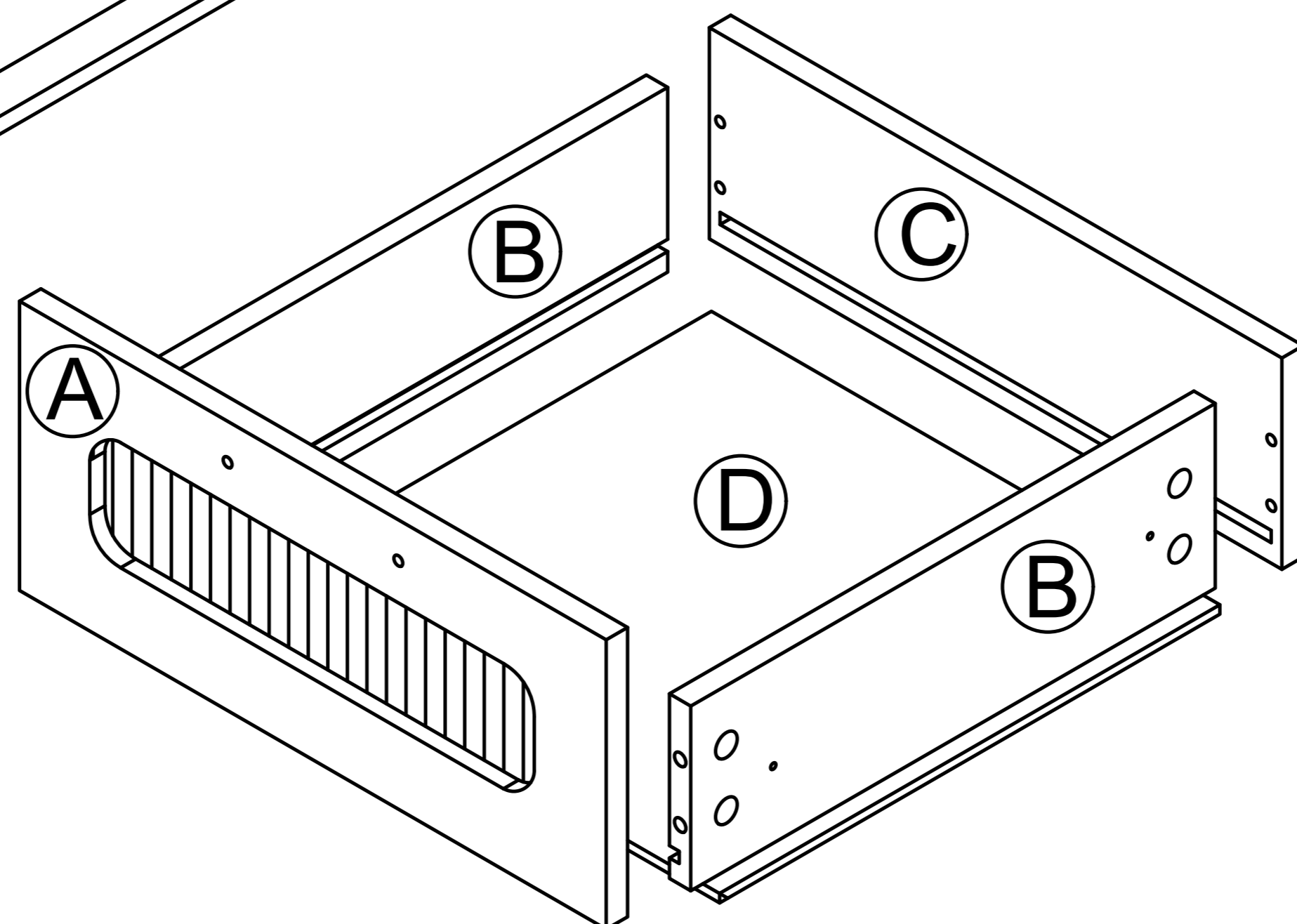
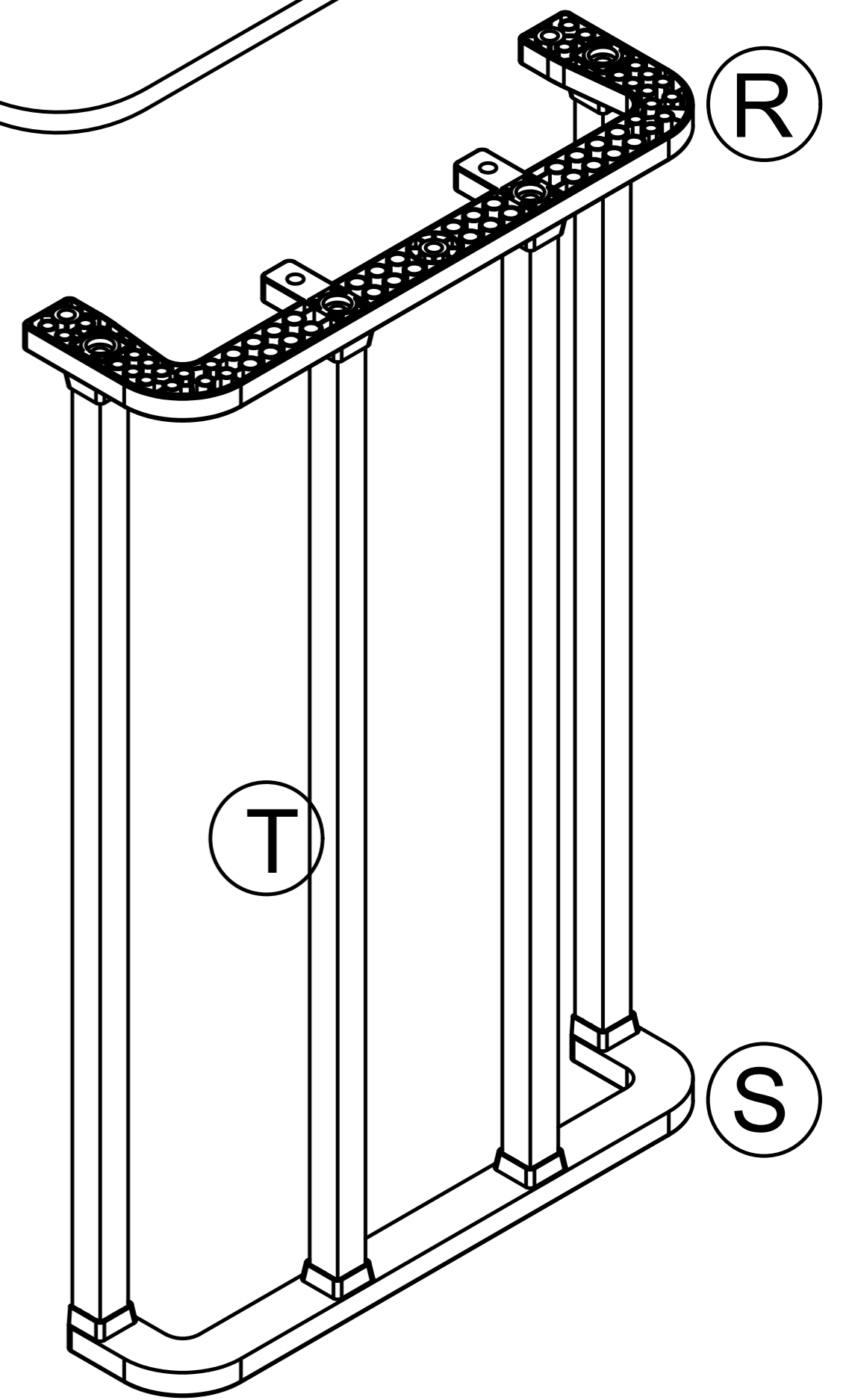
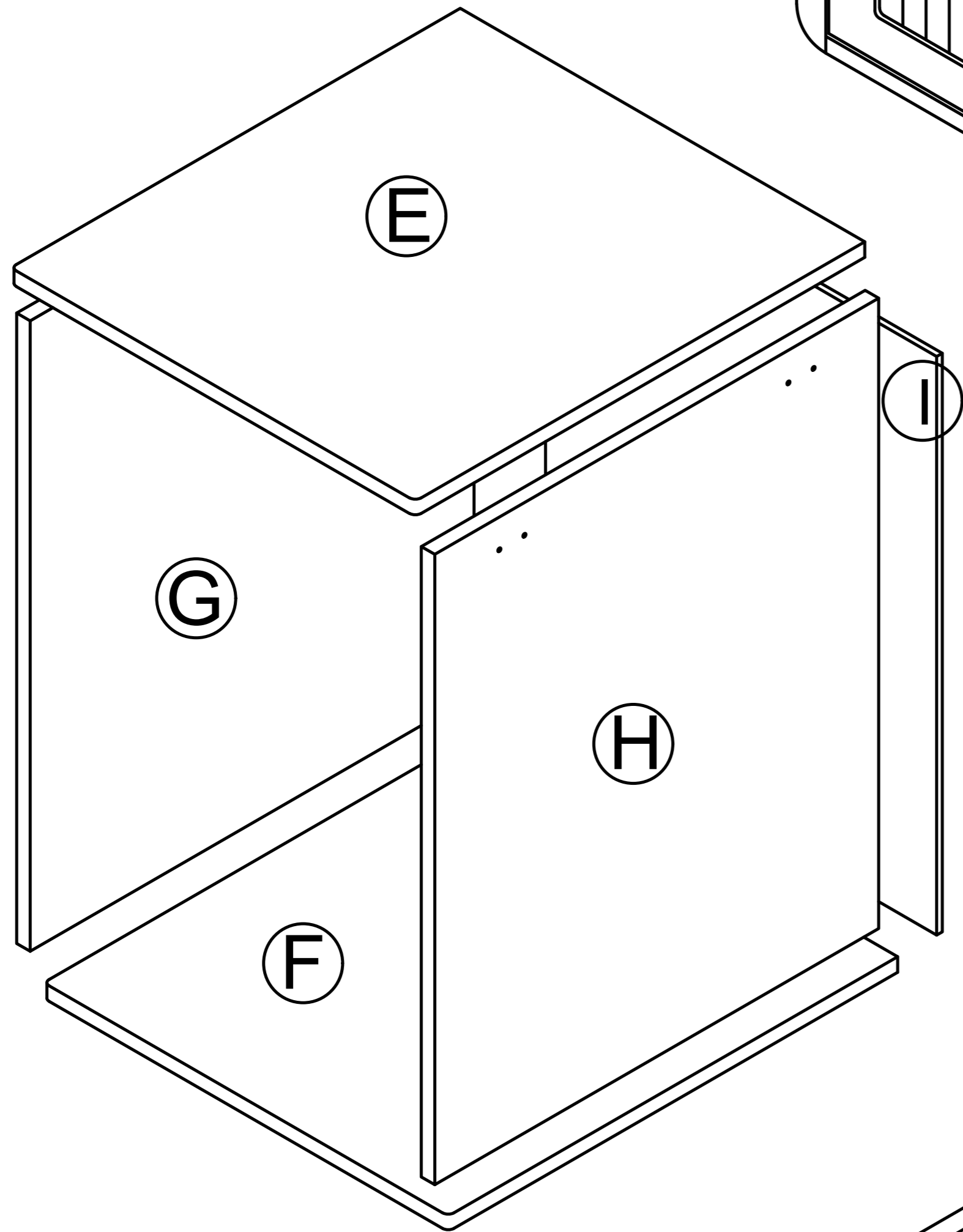
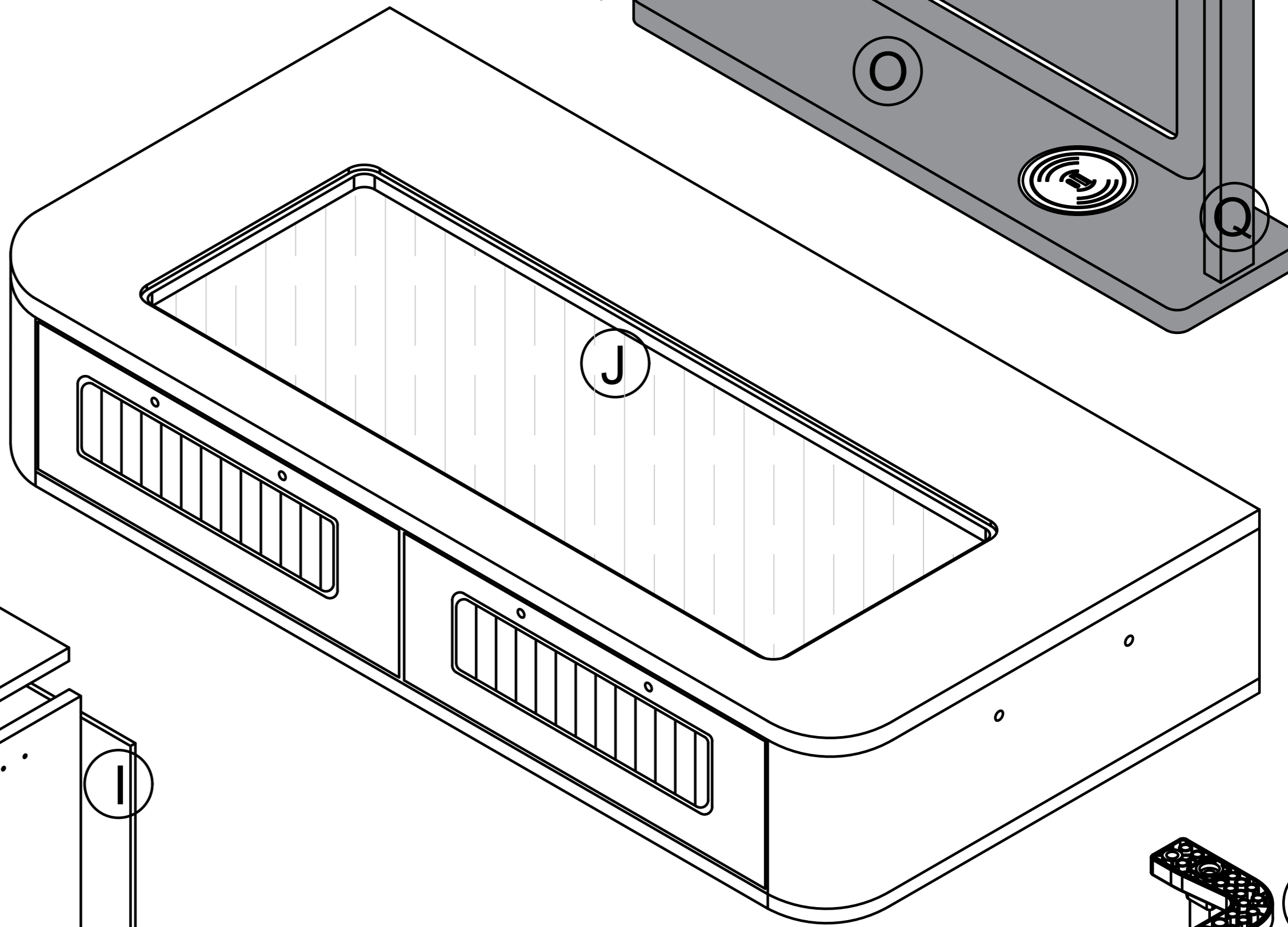
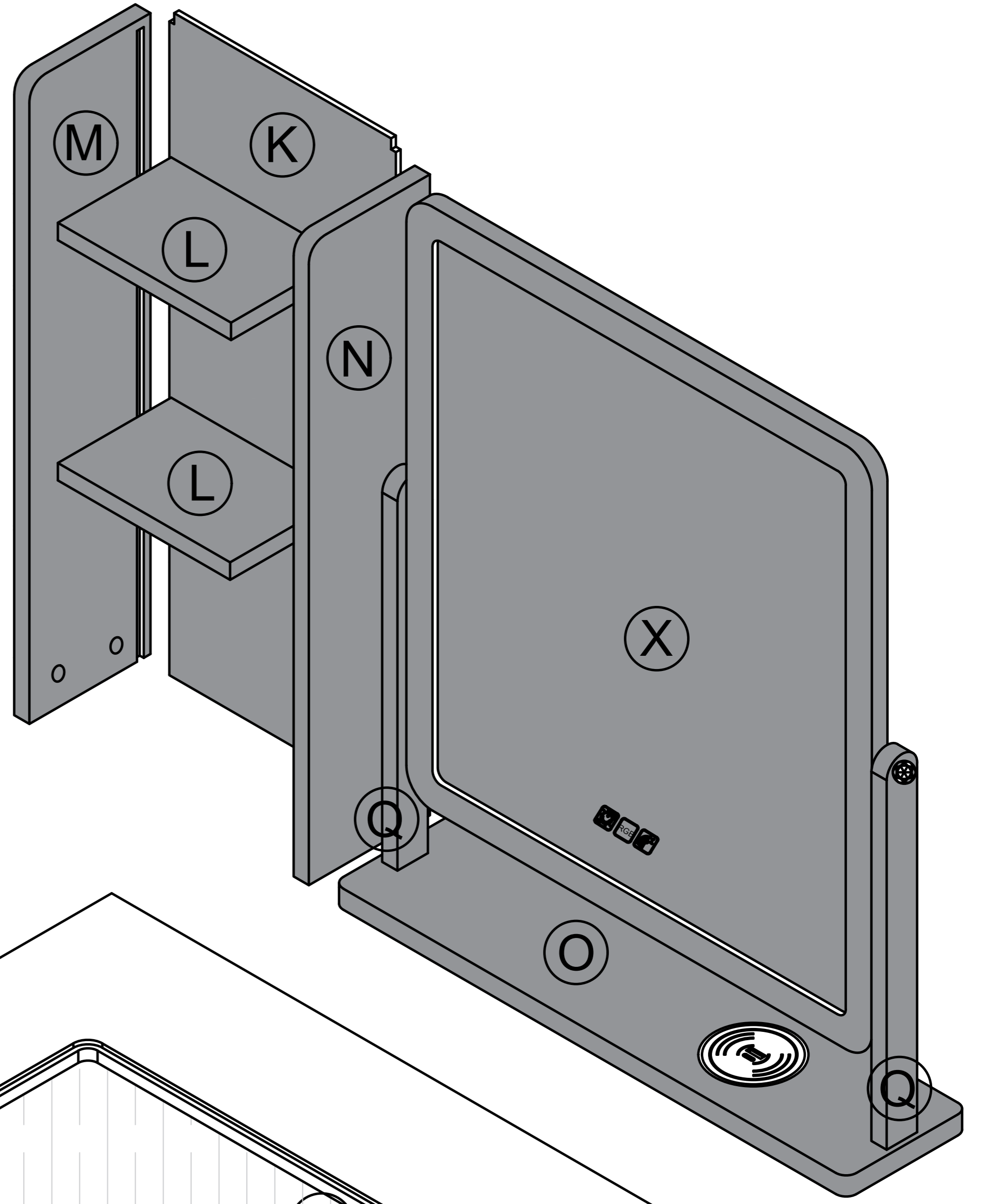
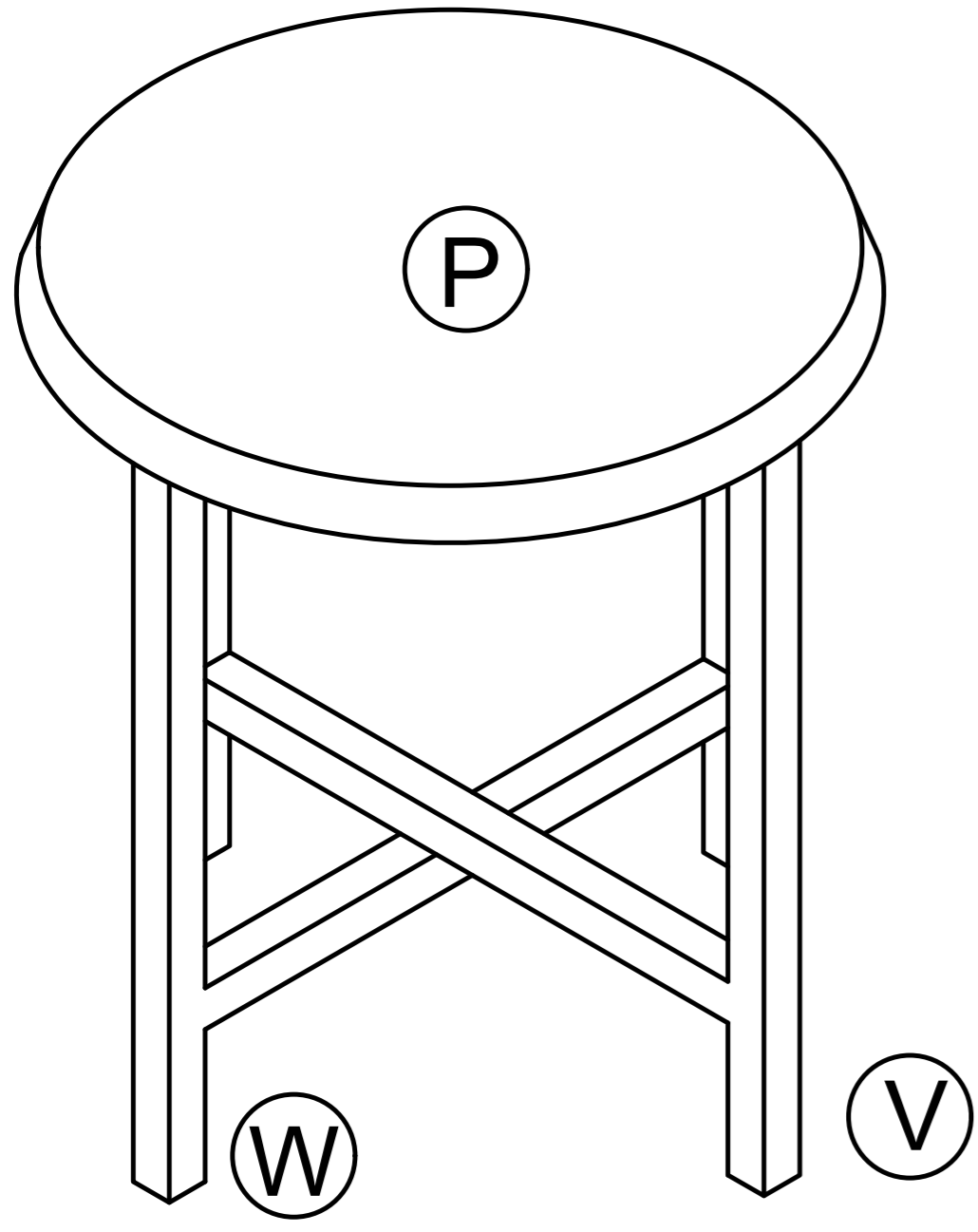
Step 24

3

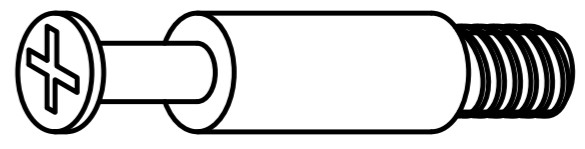


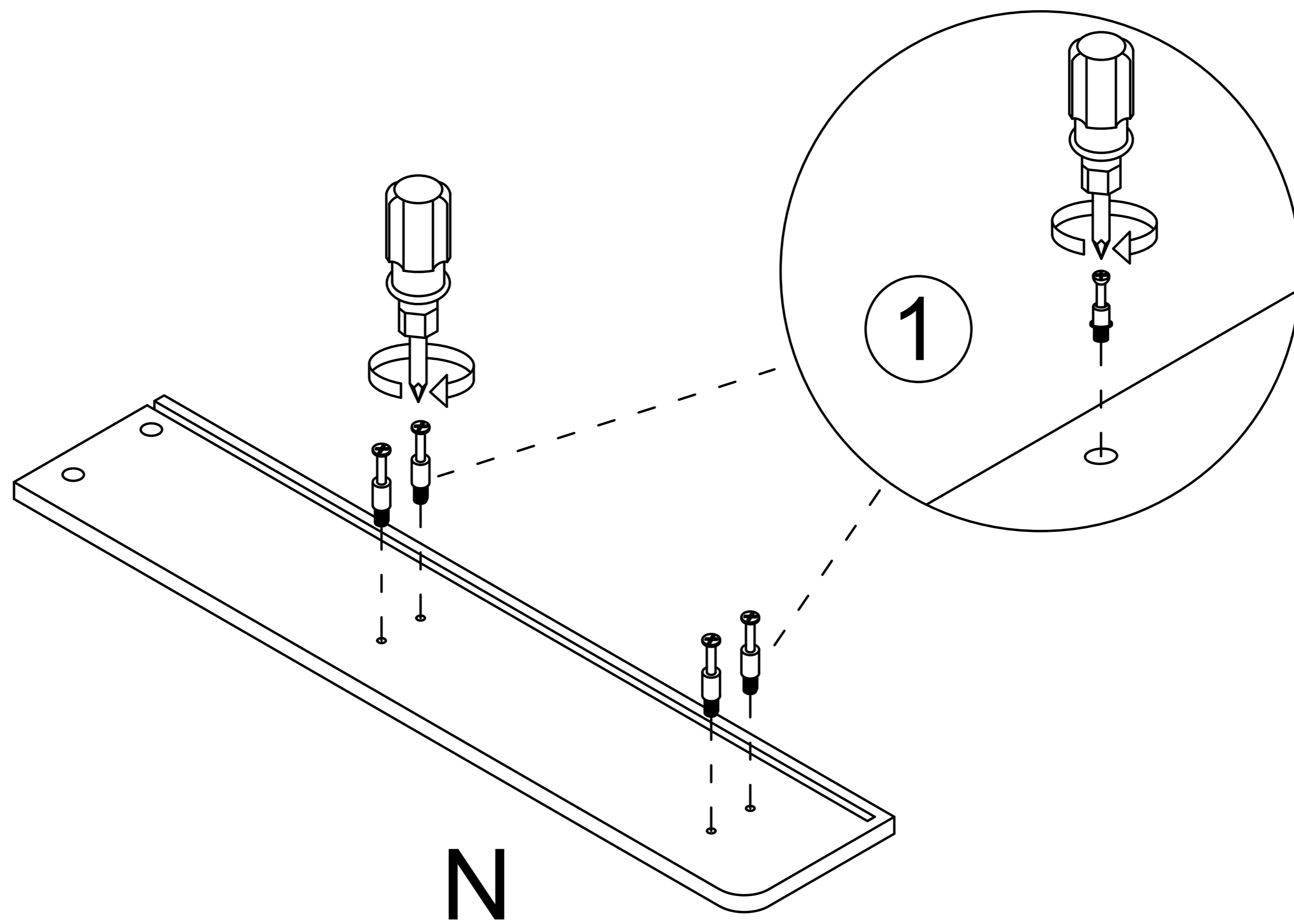
x 2






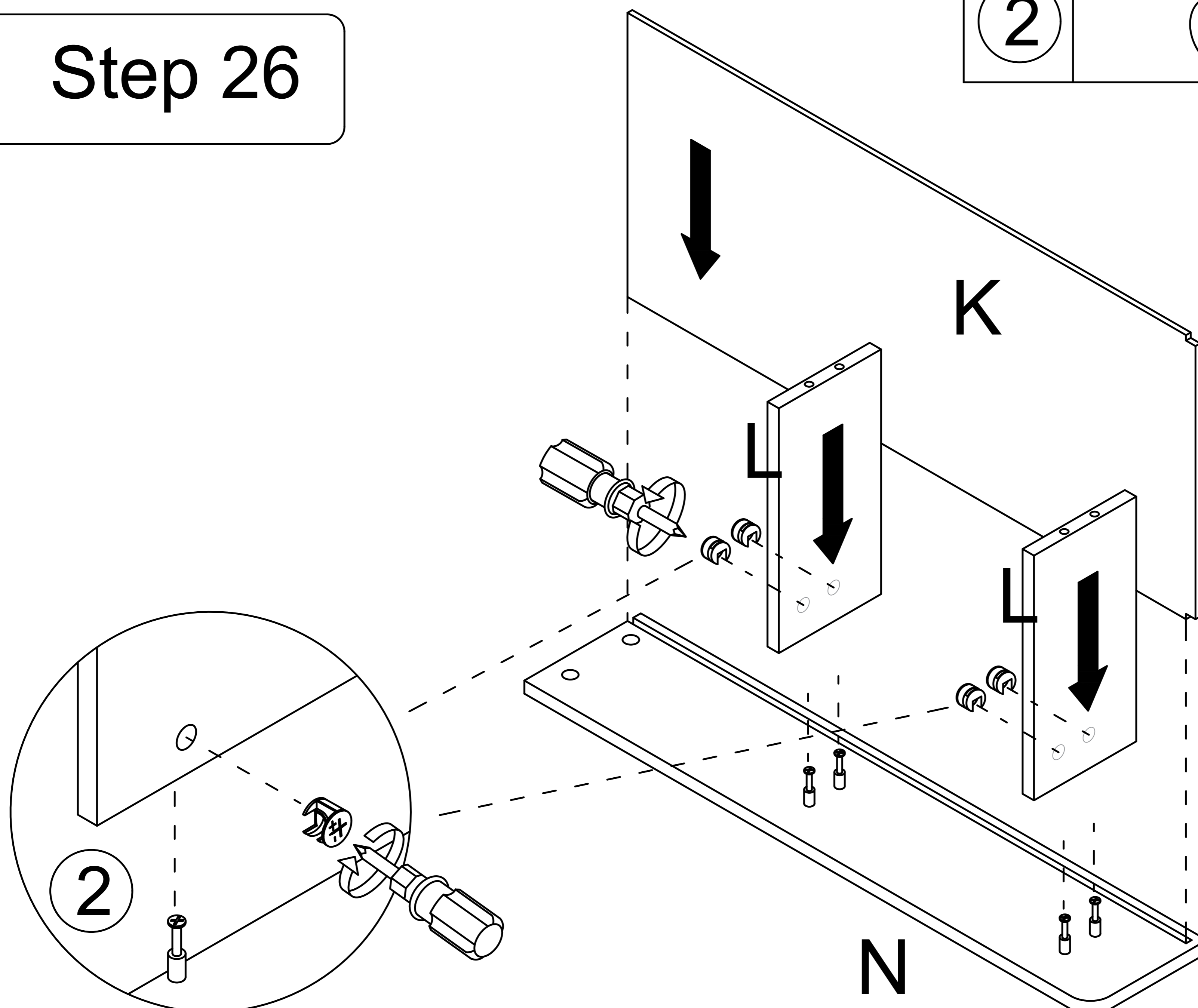
Step 25

1  x 4

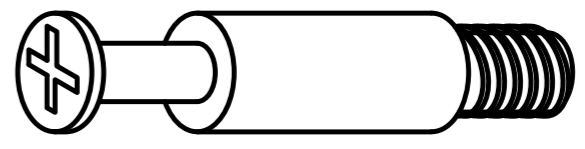


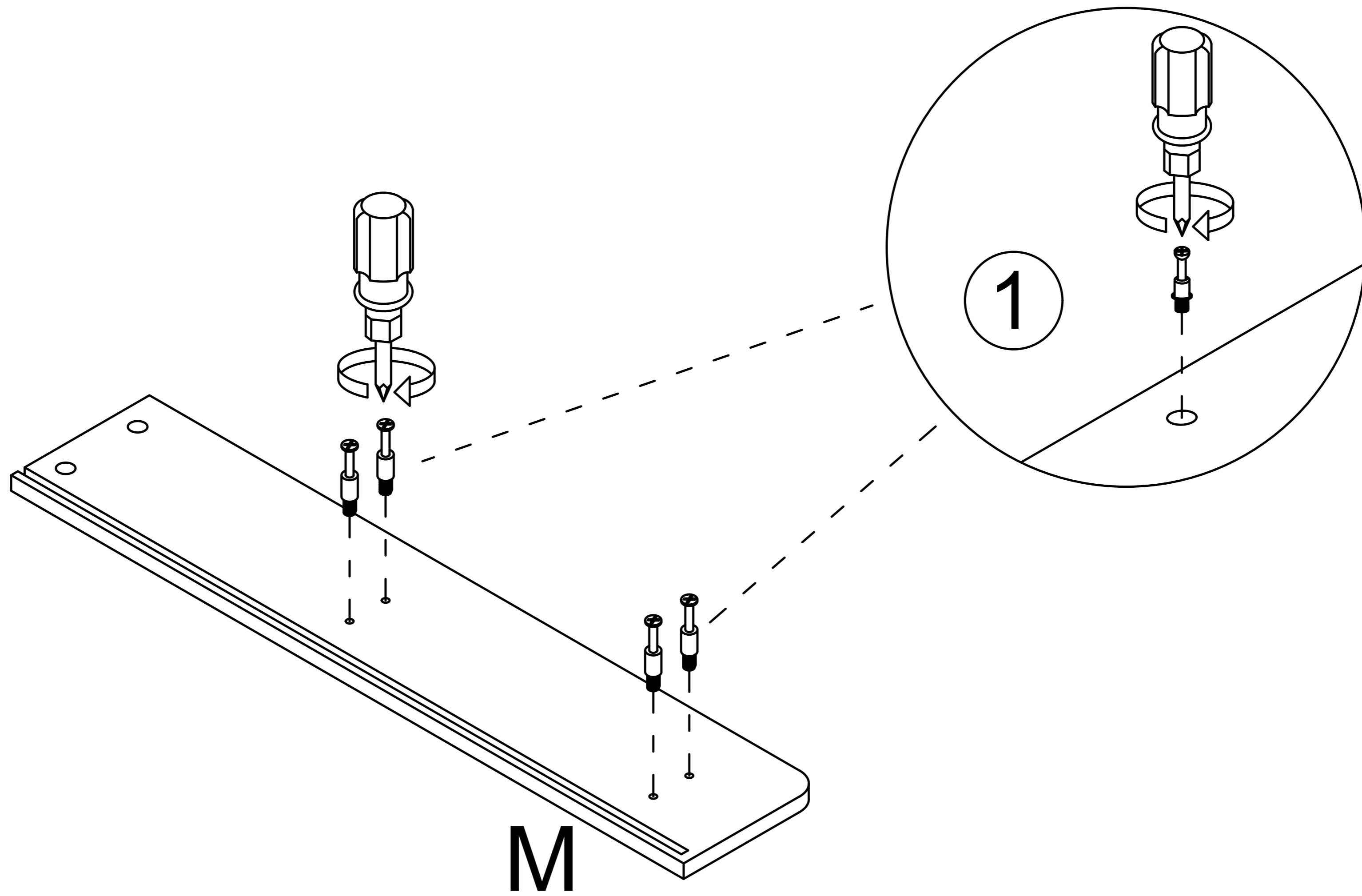
Step 26

2  x 4




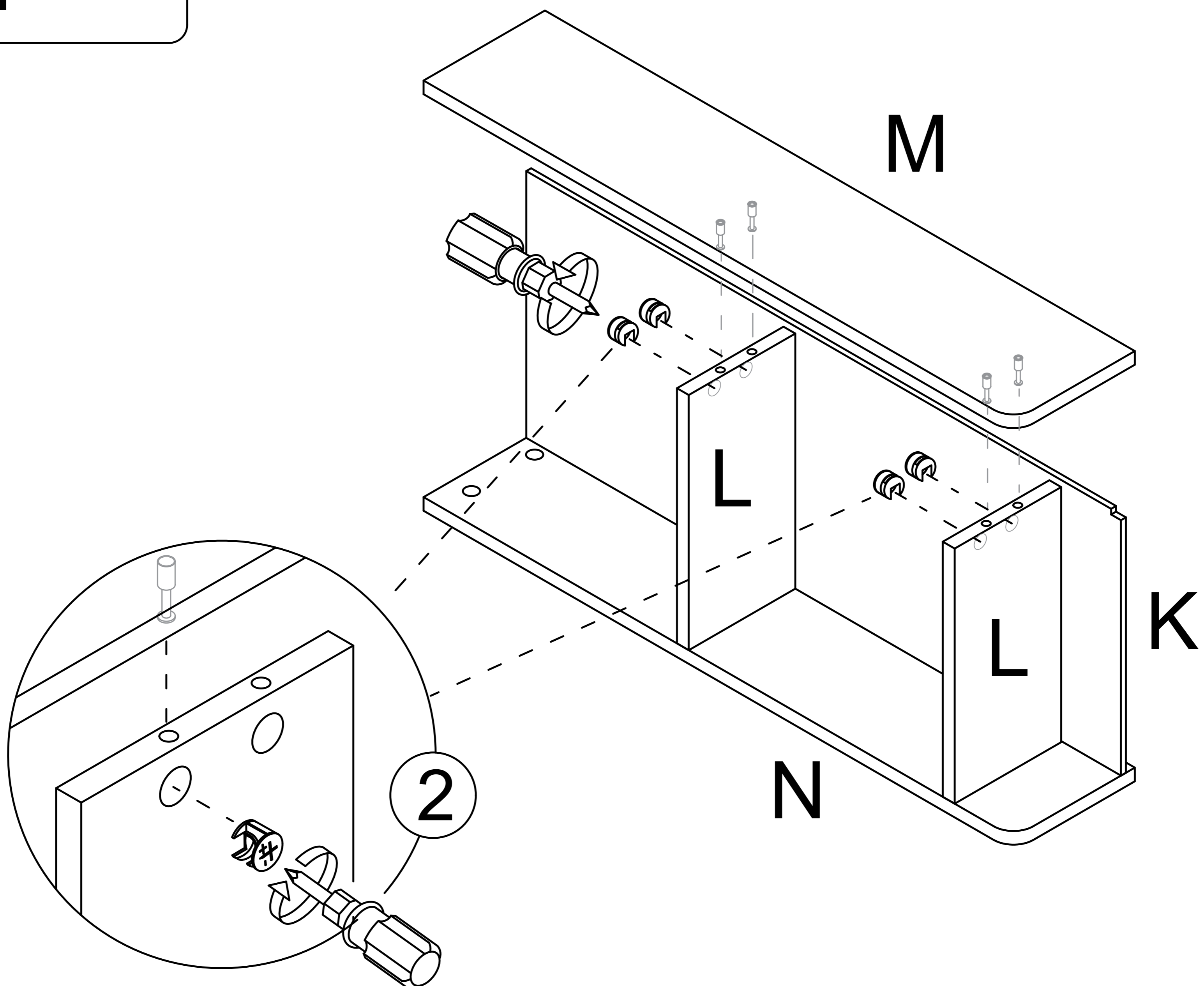
Step 27

1  x 4



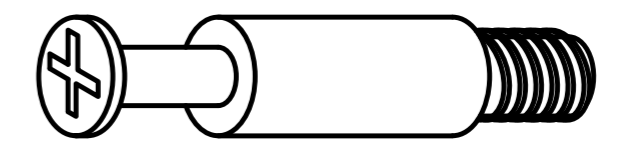
Step 28

2  x 4

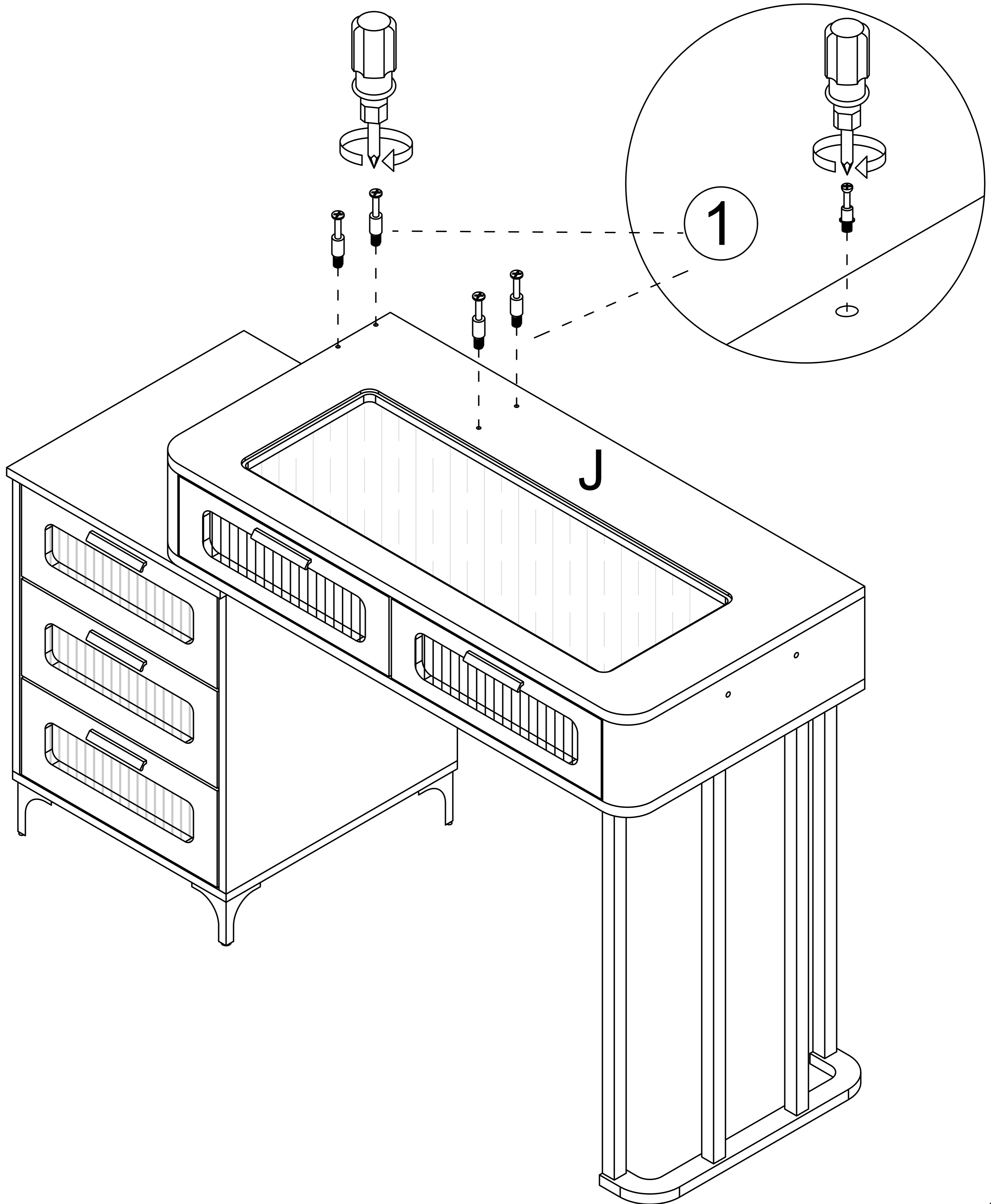


Step 29

1

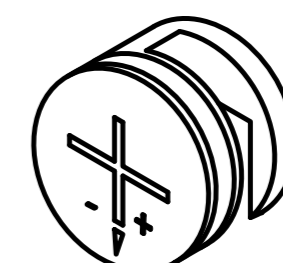


x 4



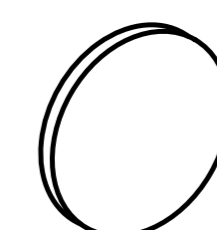
Step 30

2

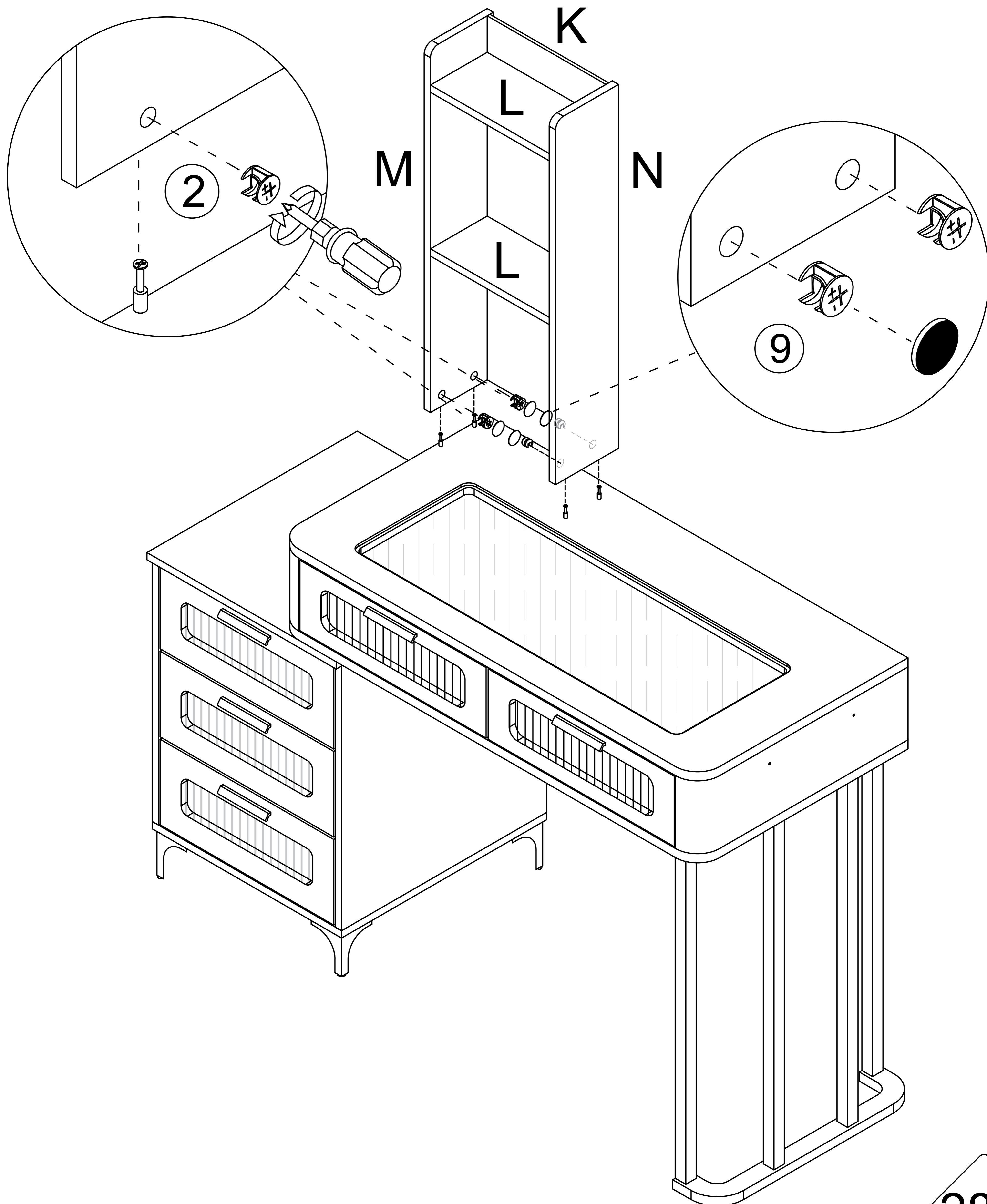


x 4

9

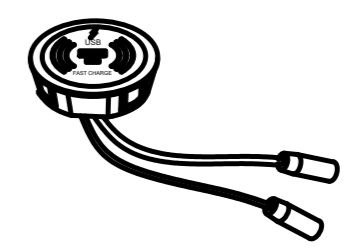


x 4



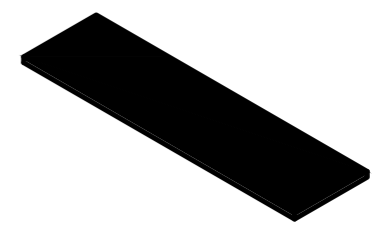
Step 31

25

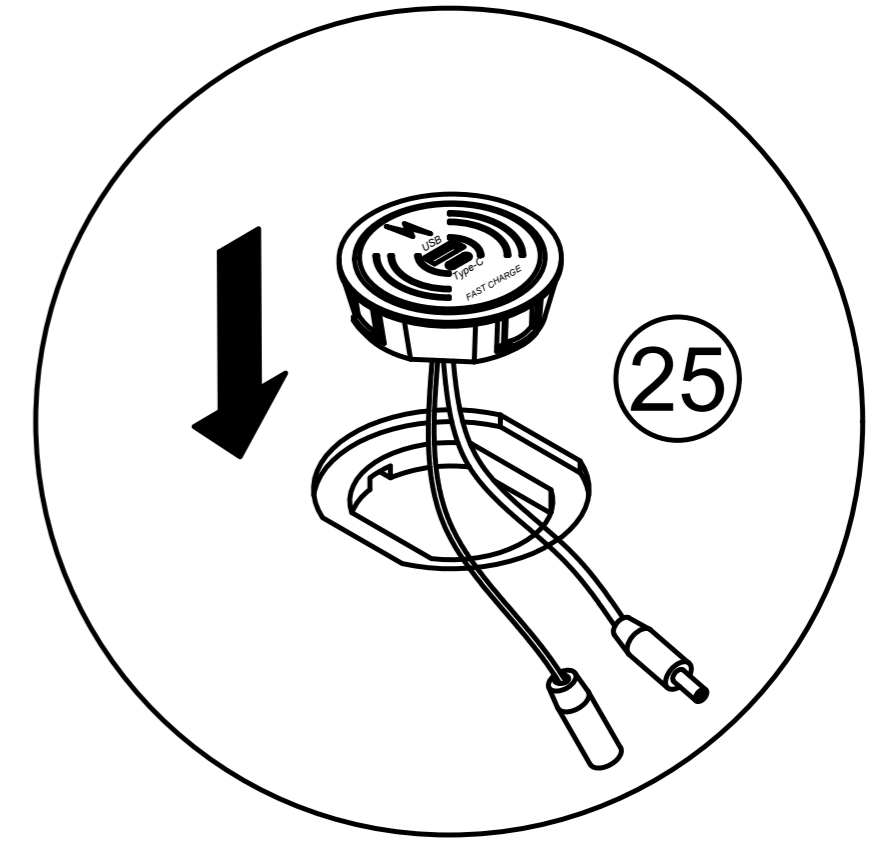
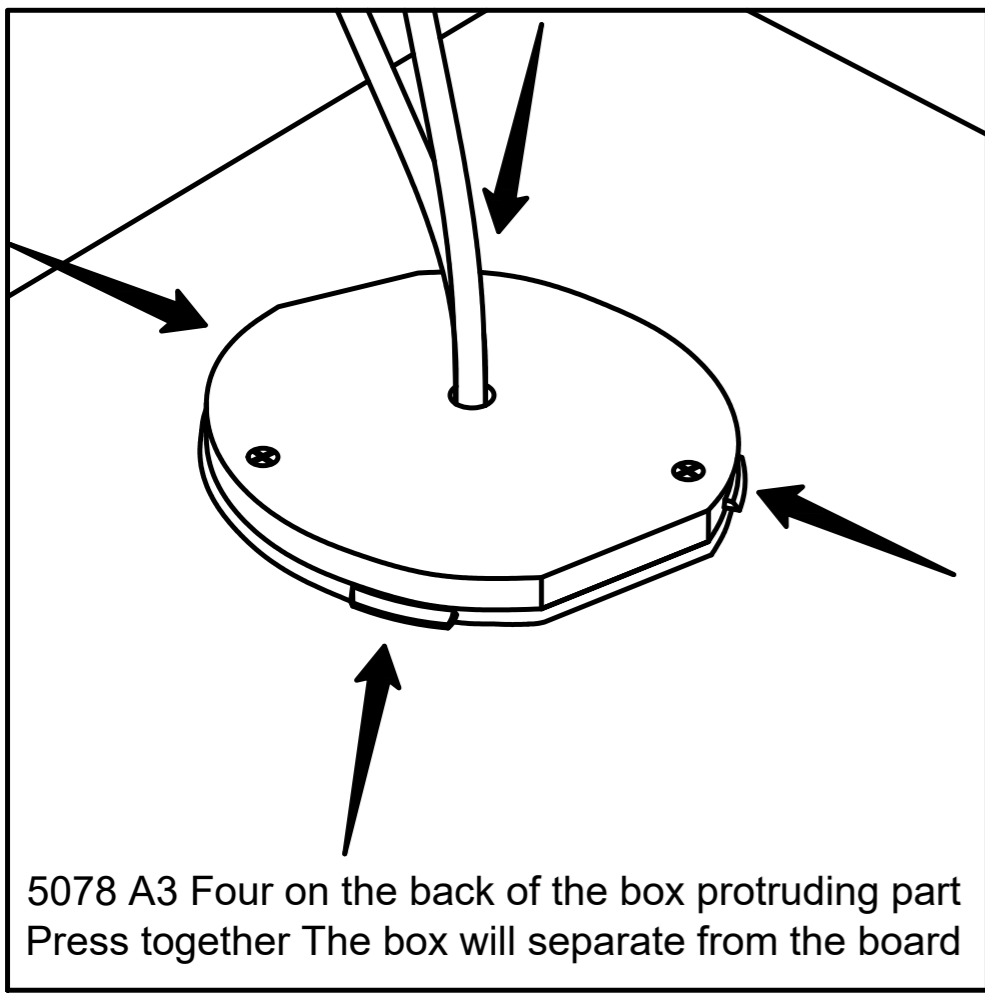


x 1

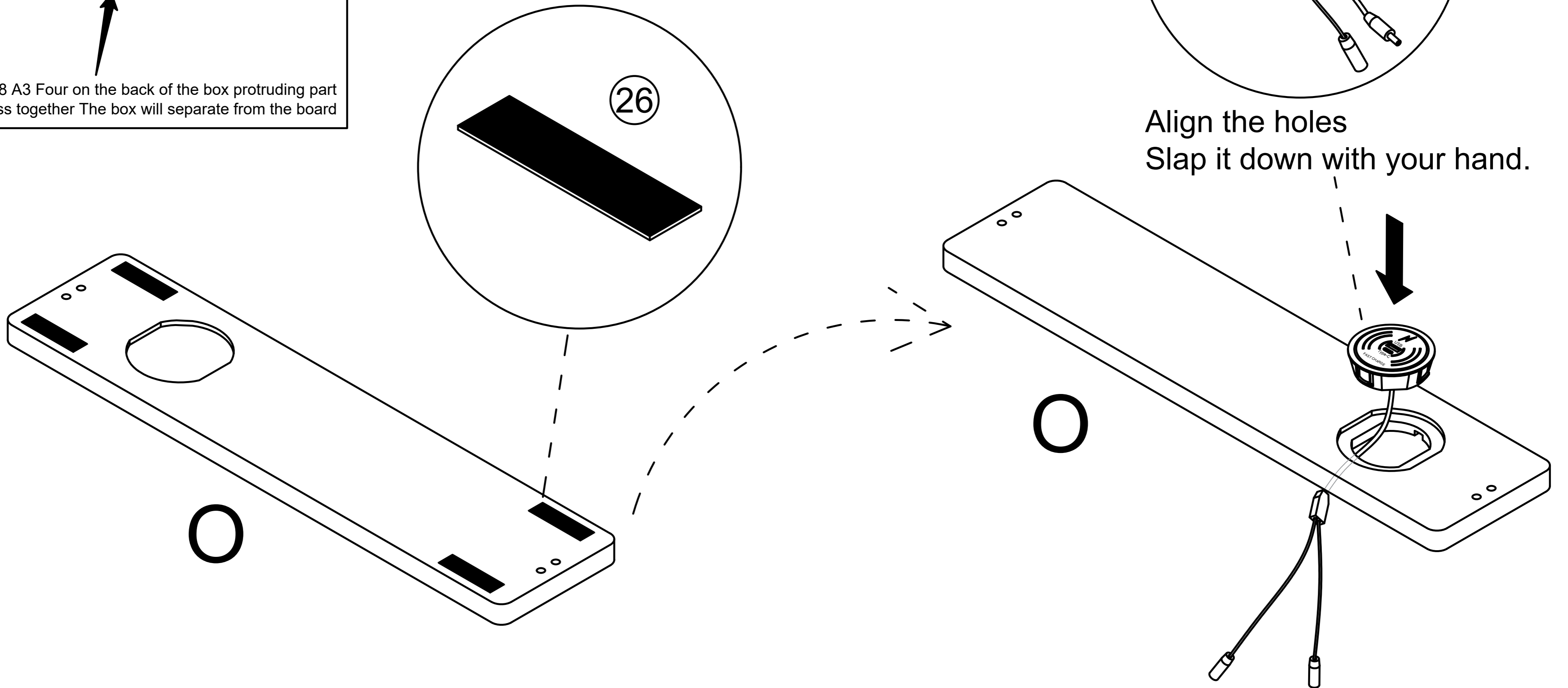
26



x 4

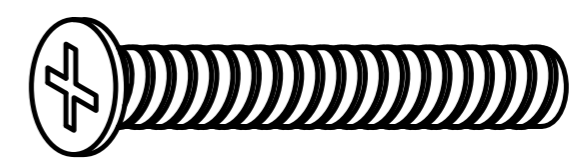


Align the holes
Slap it down with your hand.



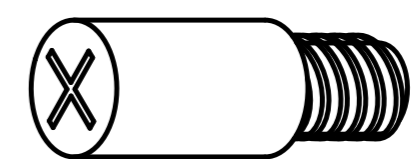
Step 32

8

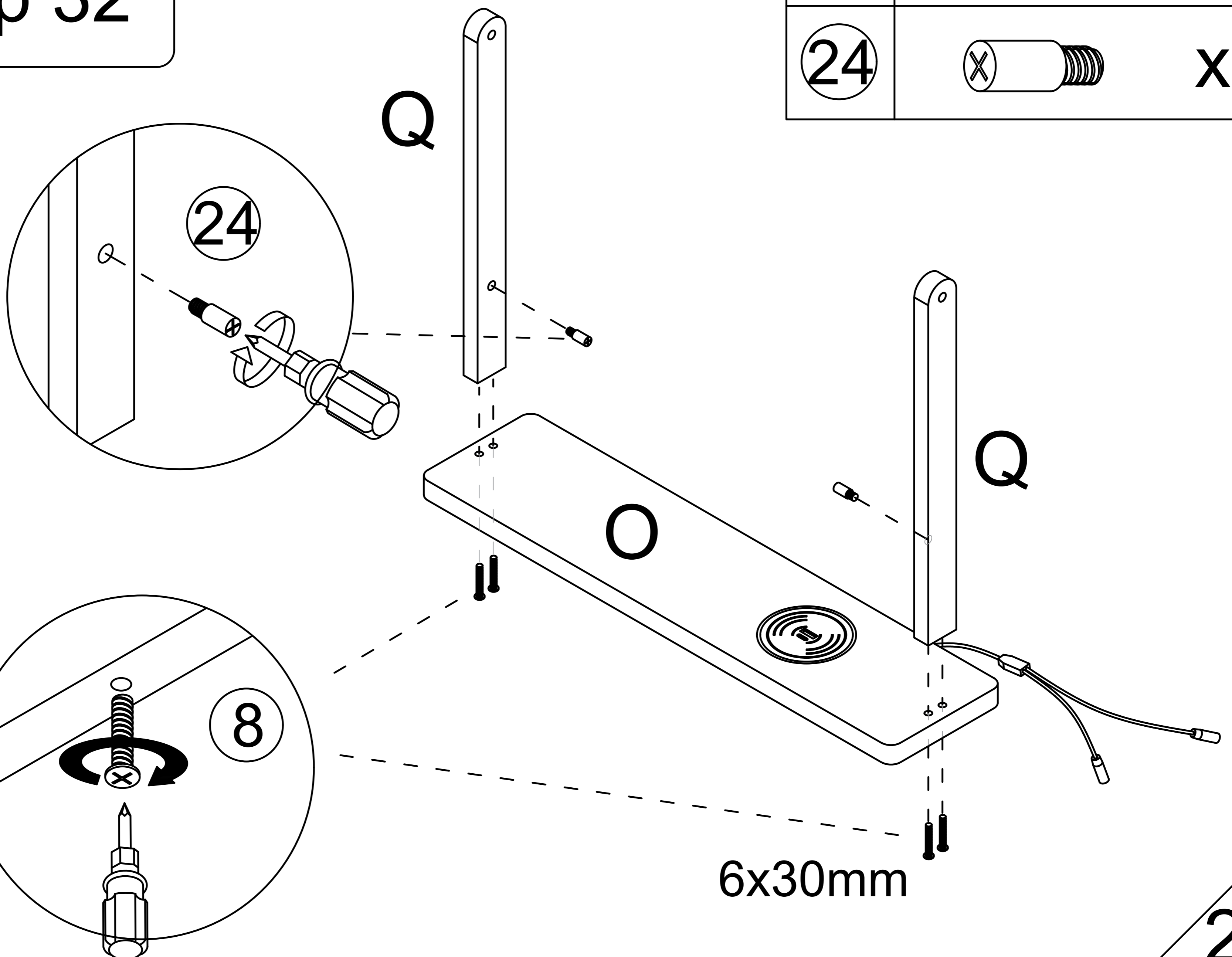


x 4

24

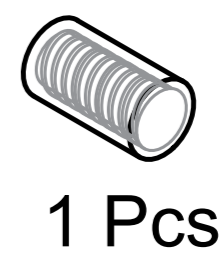
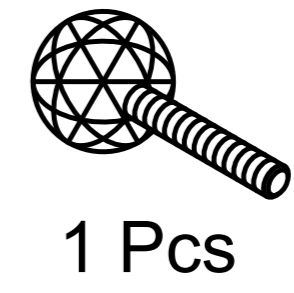


x 2

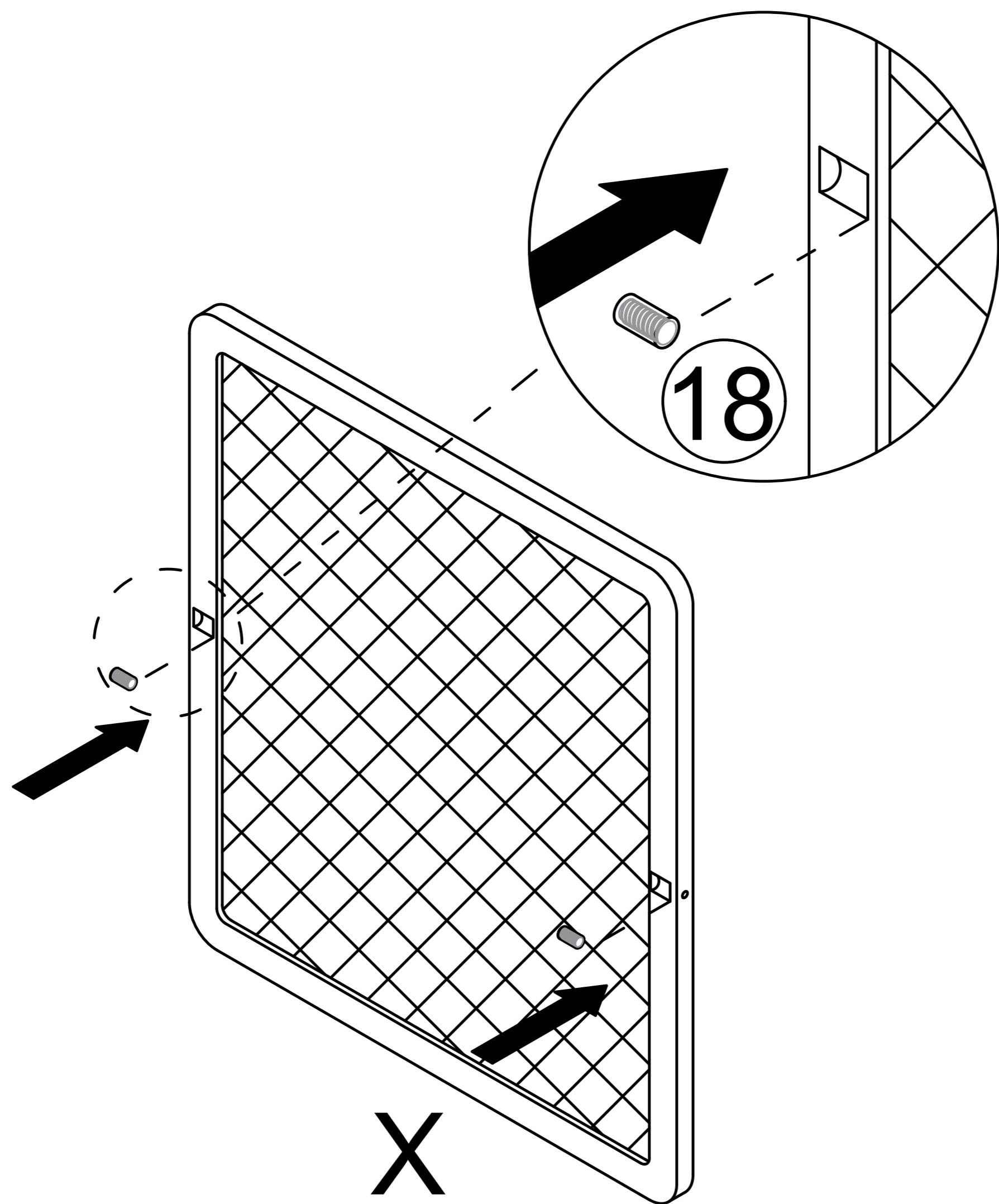


Step 33

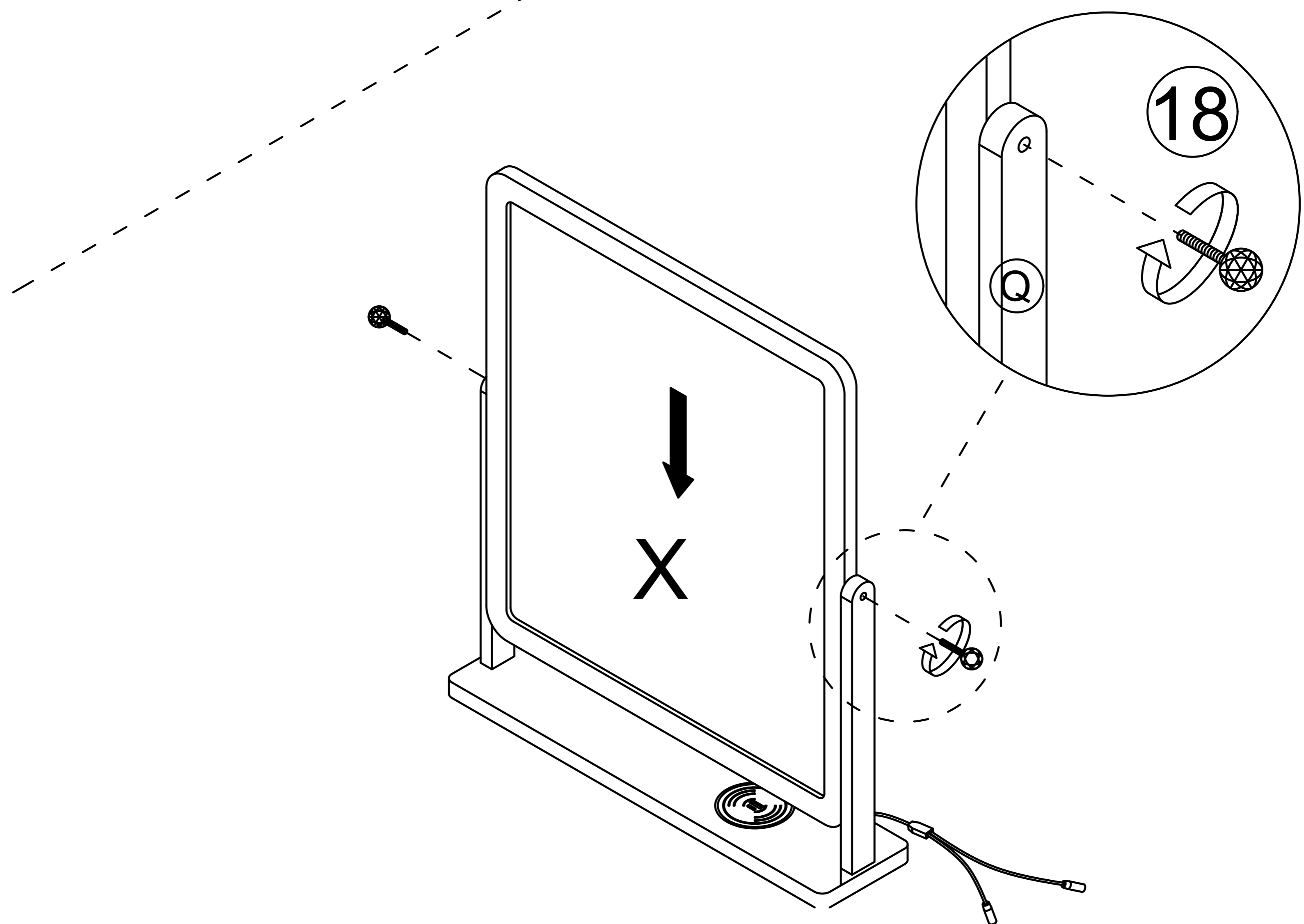
18

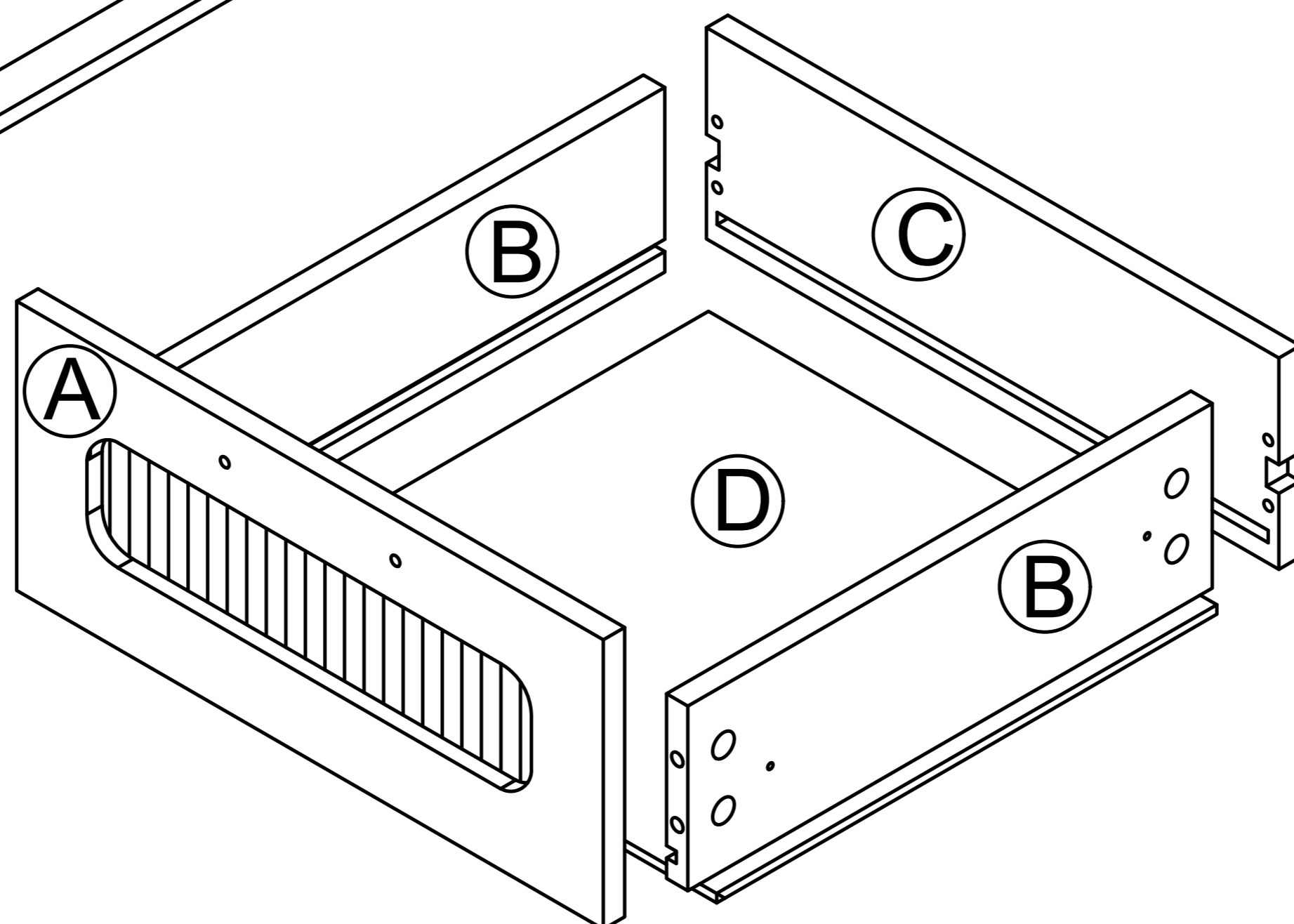
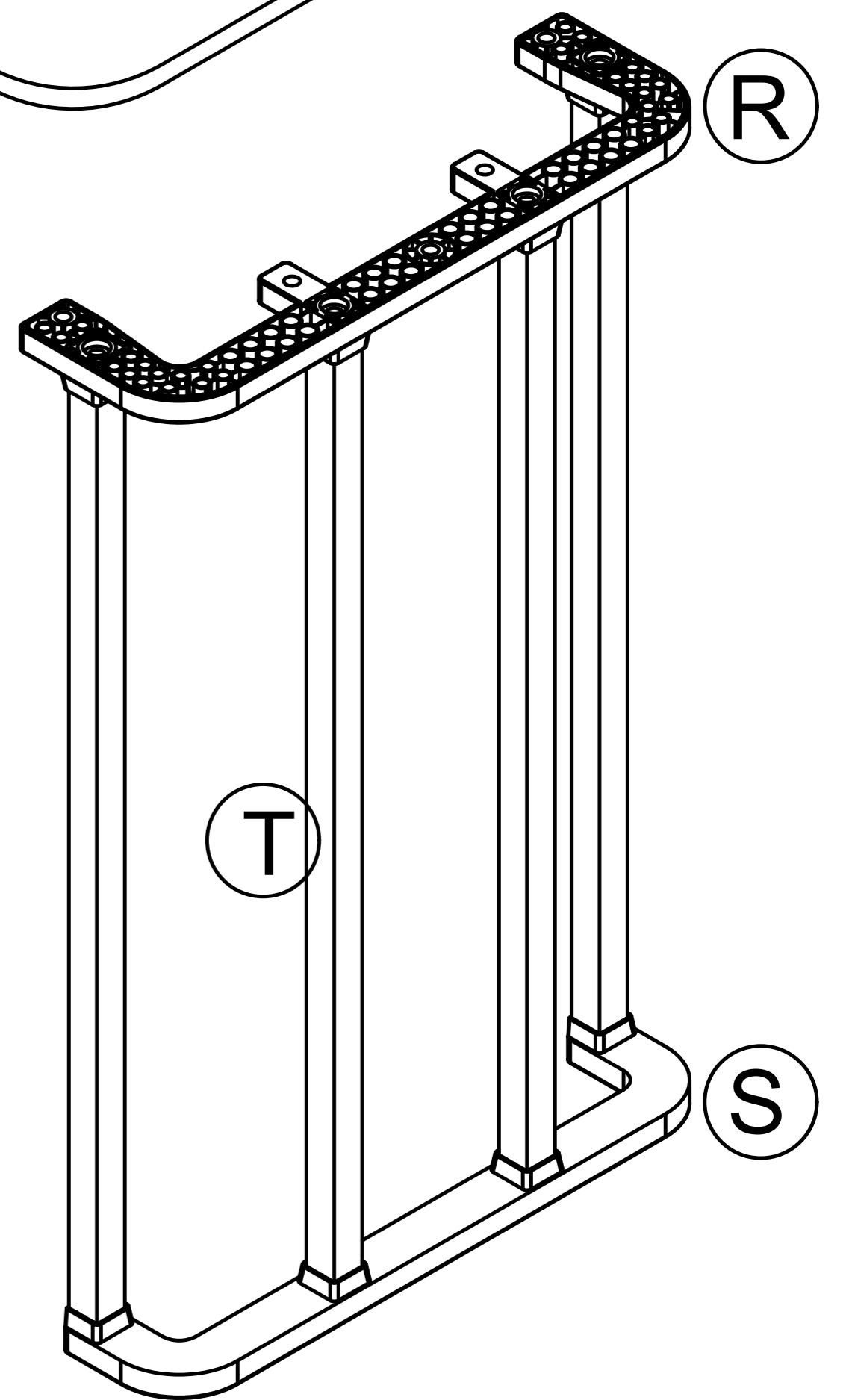
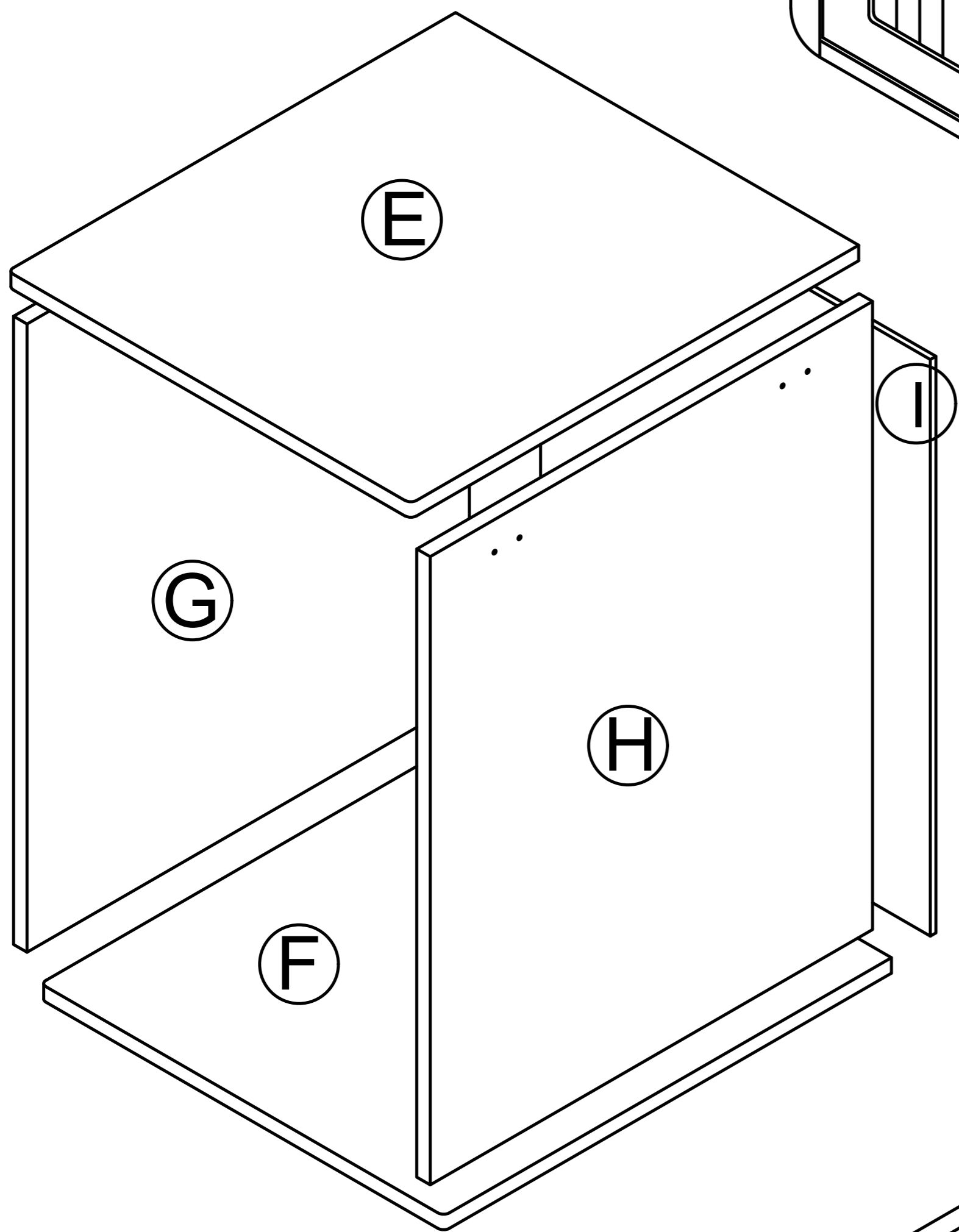
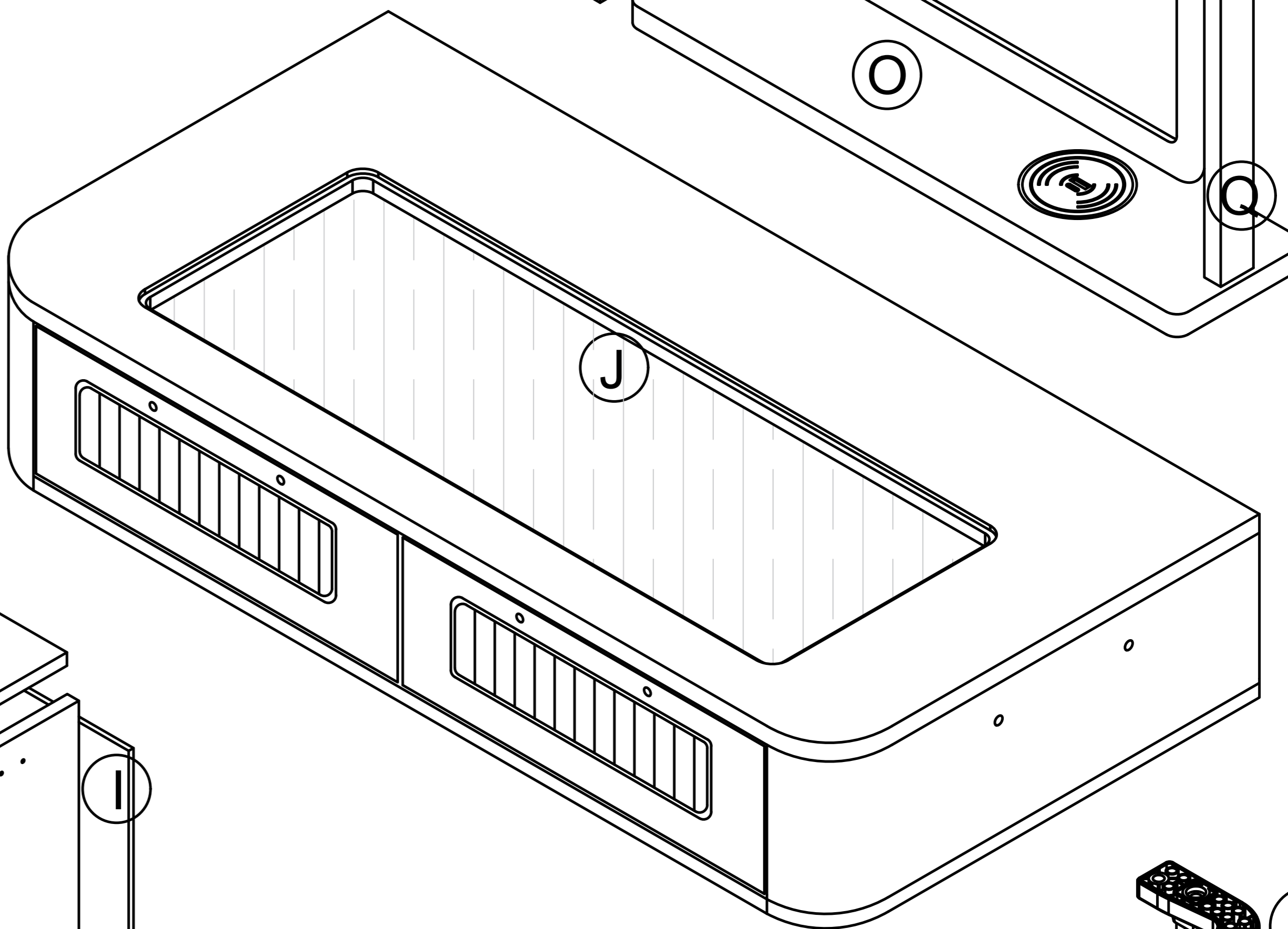
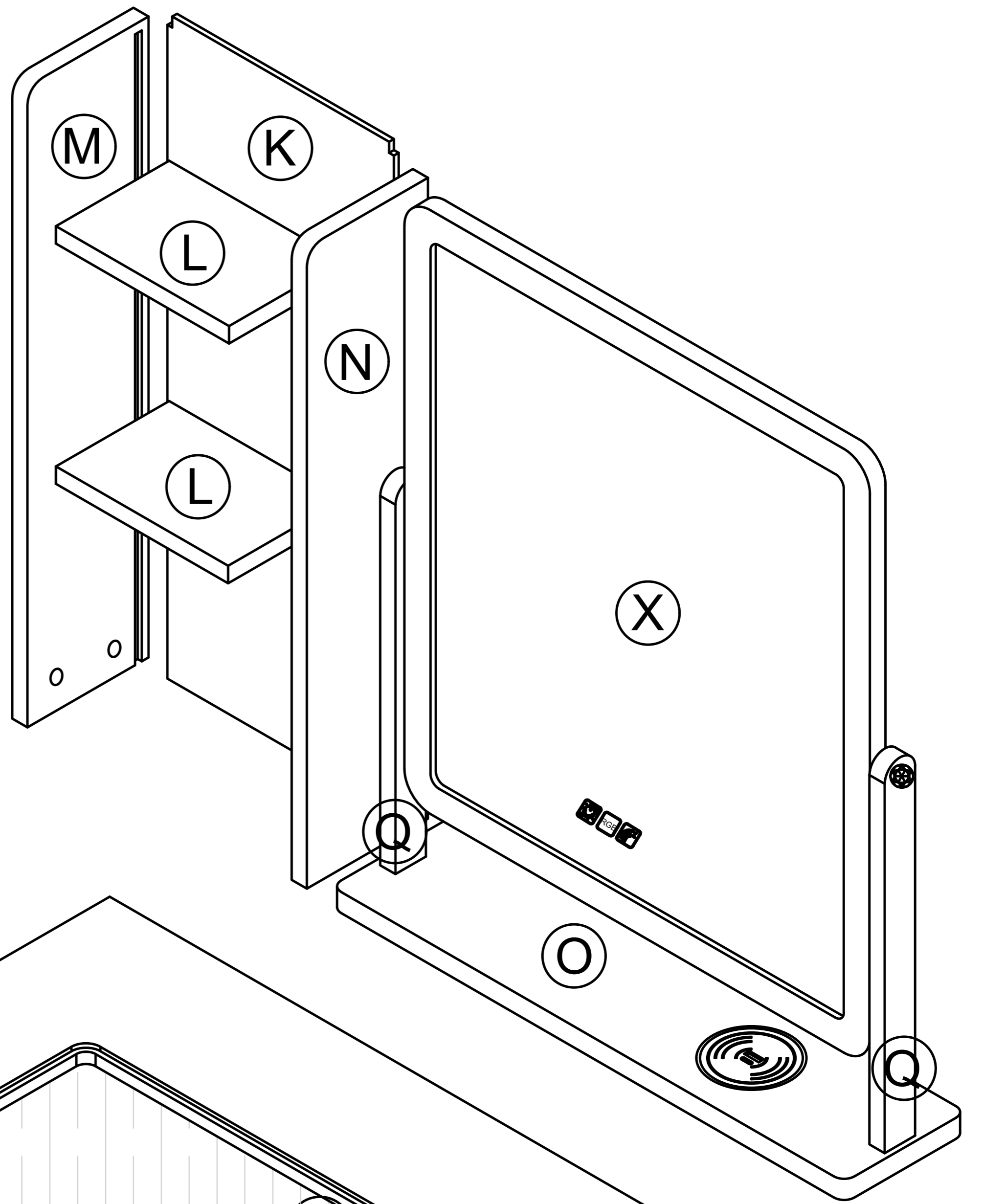
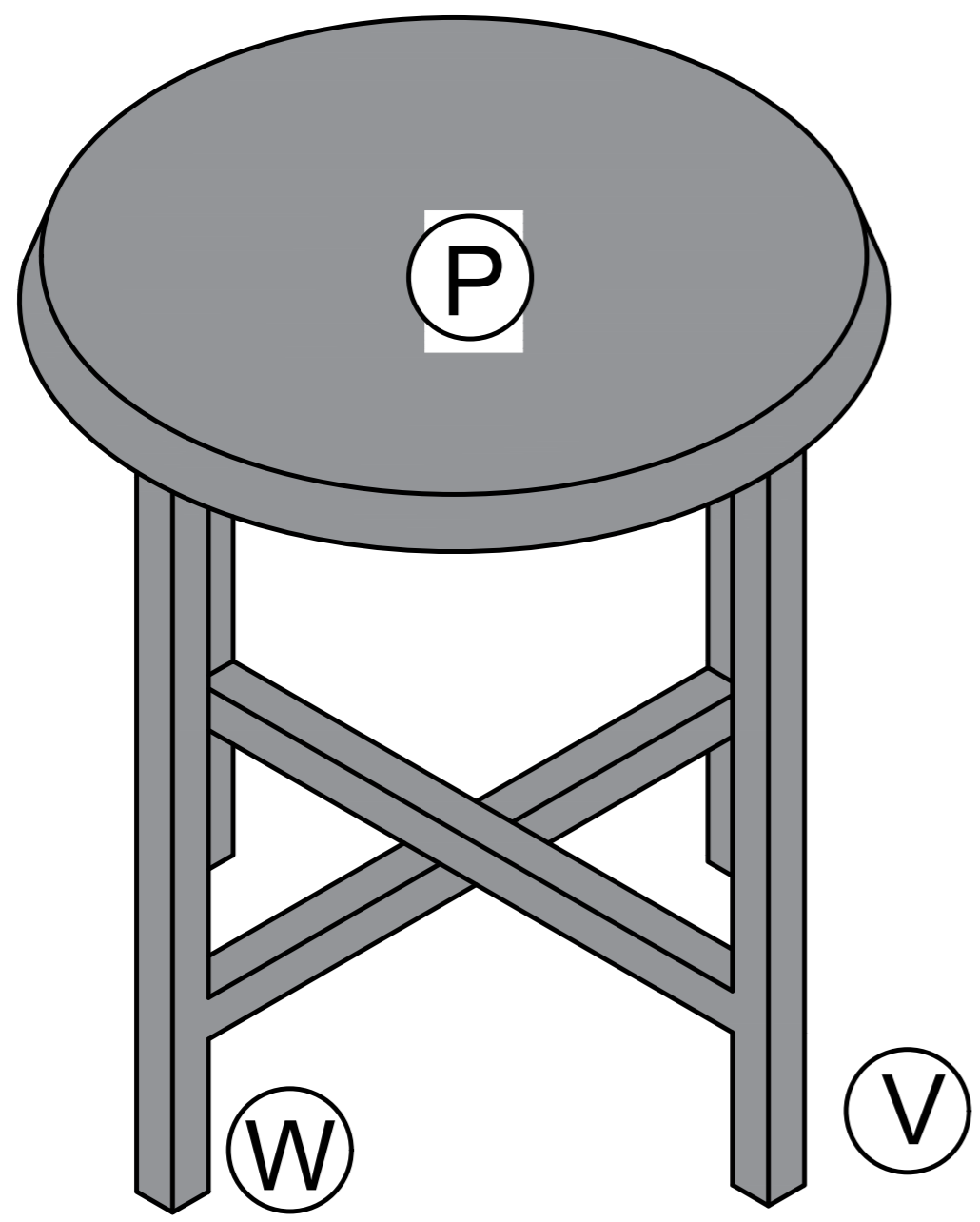


x 2



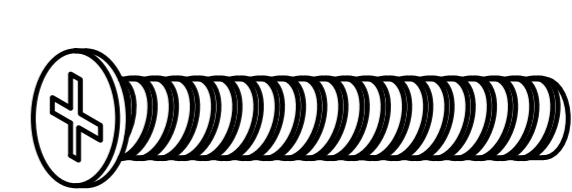
Place the accessories in the slot. Next, install the screws on both sides of the frame





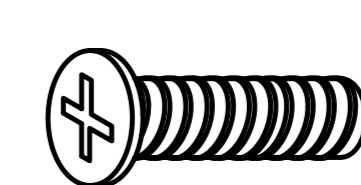
Step 34

8

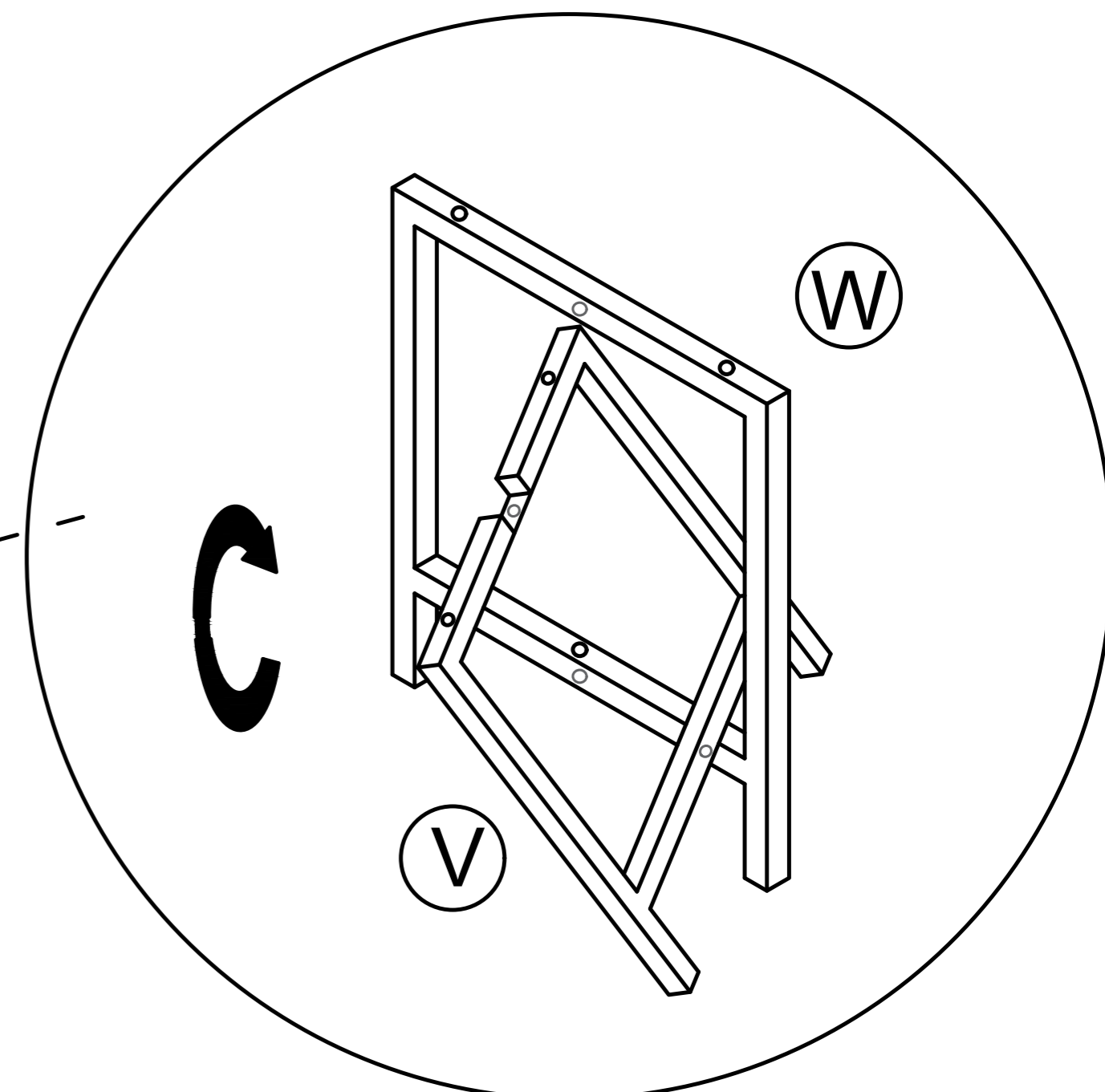
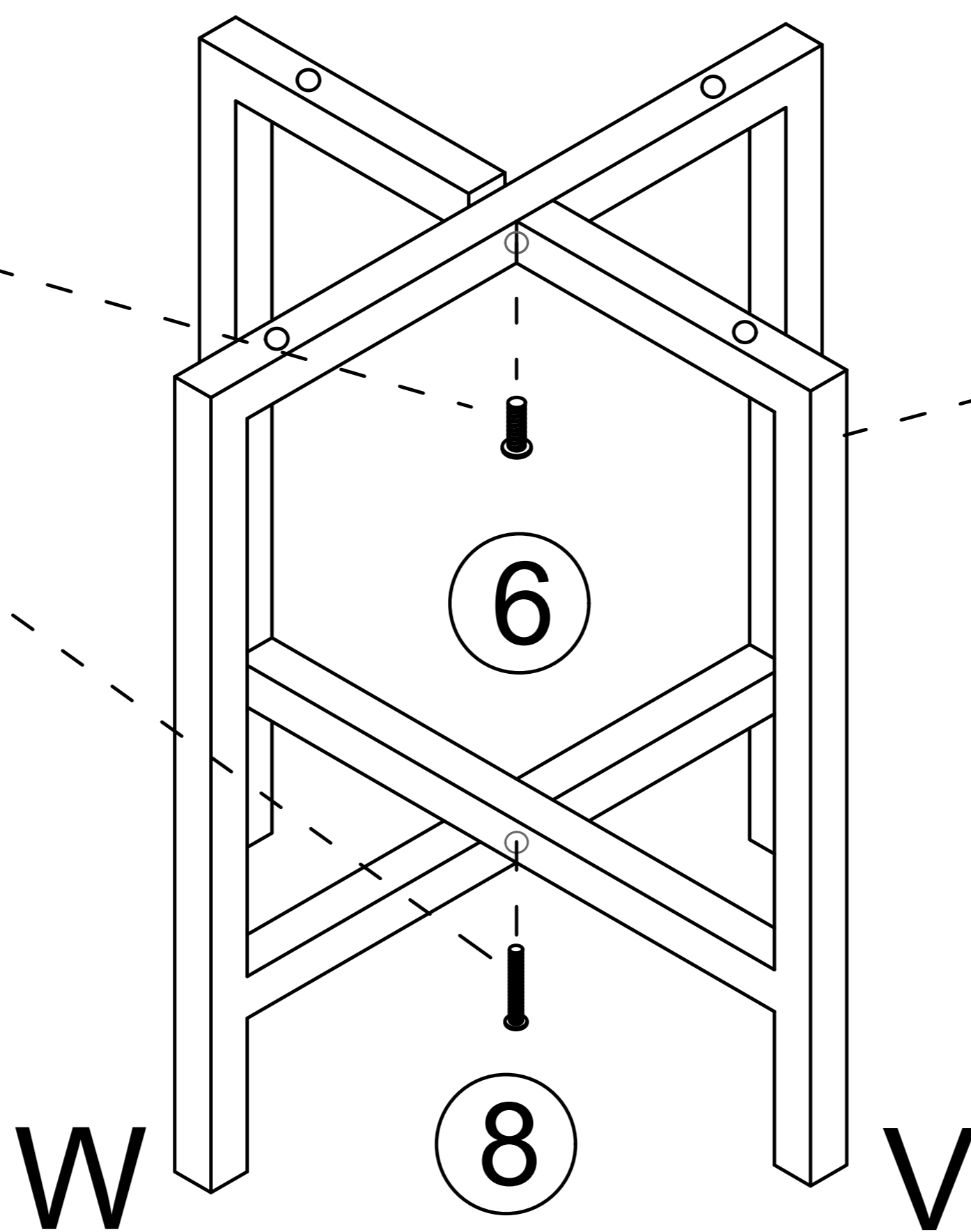
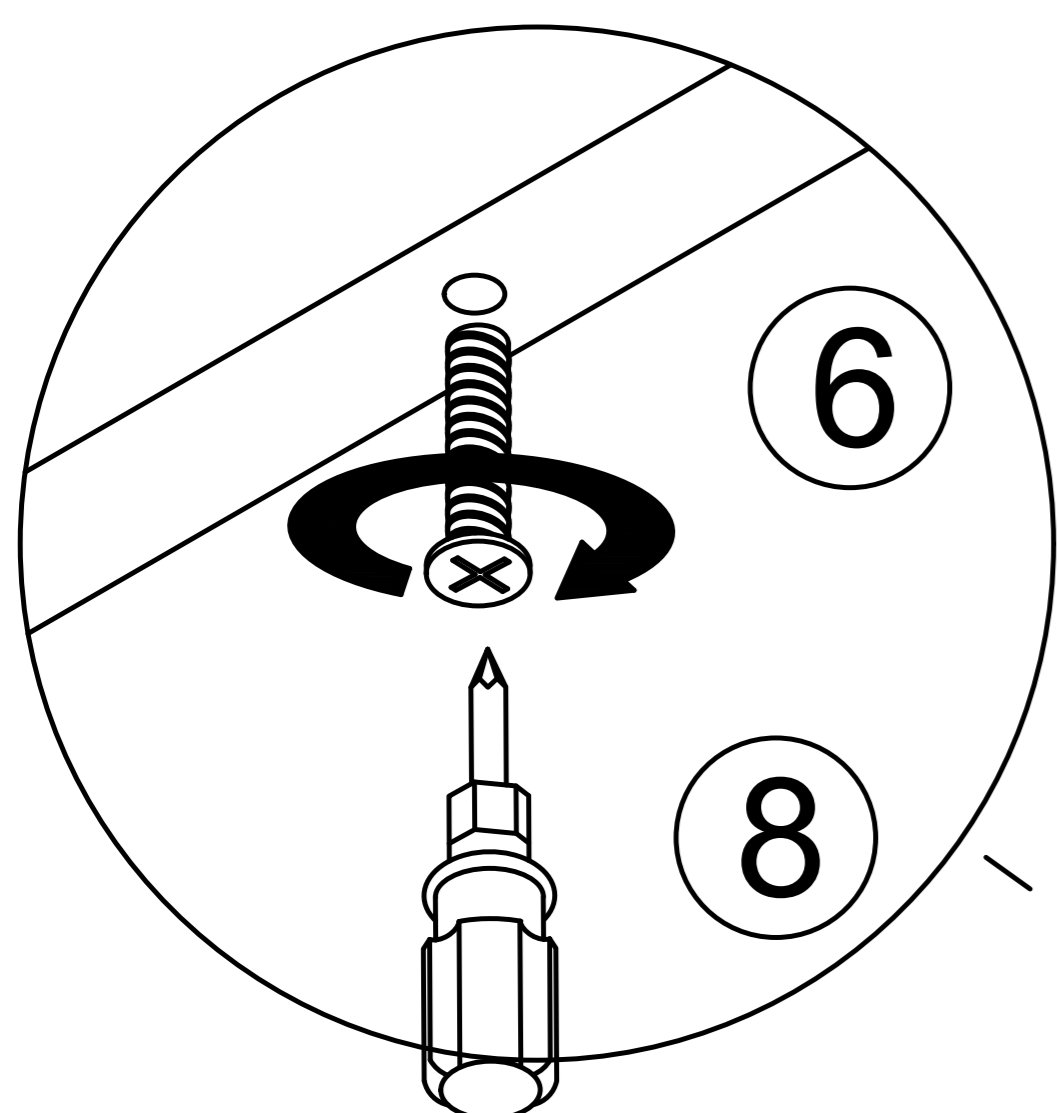


x 1

6

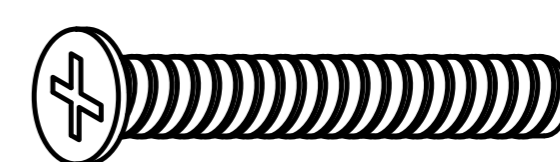


x 1

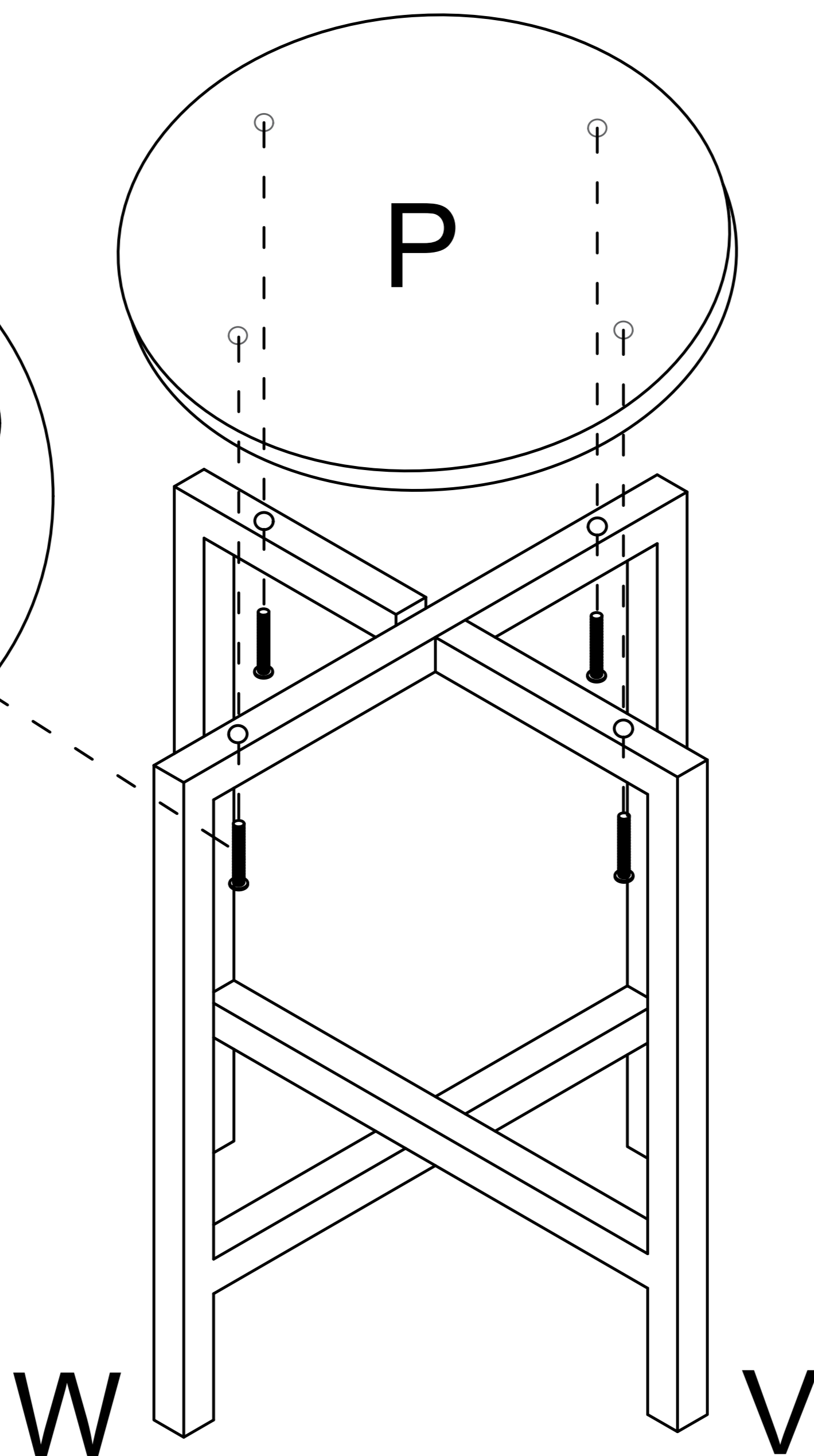
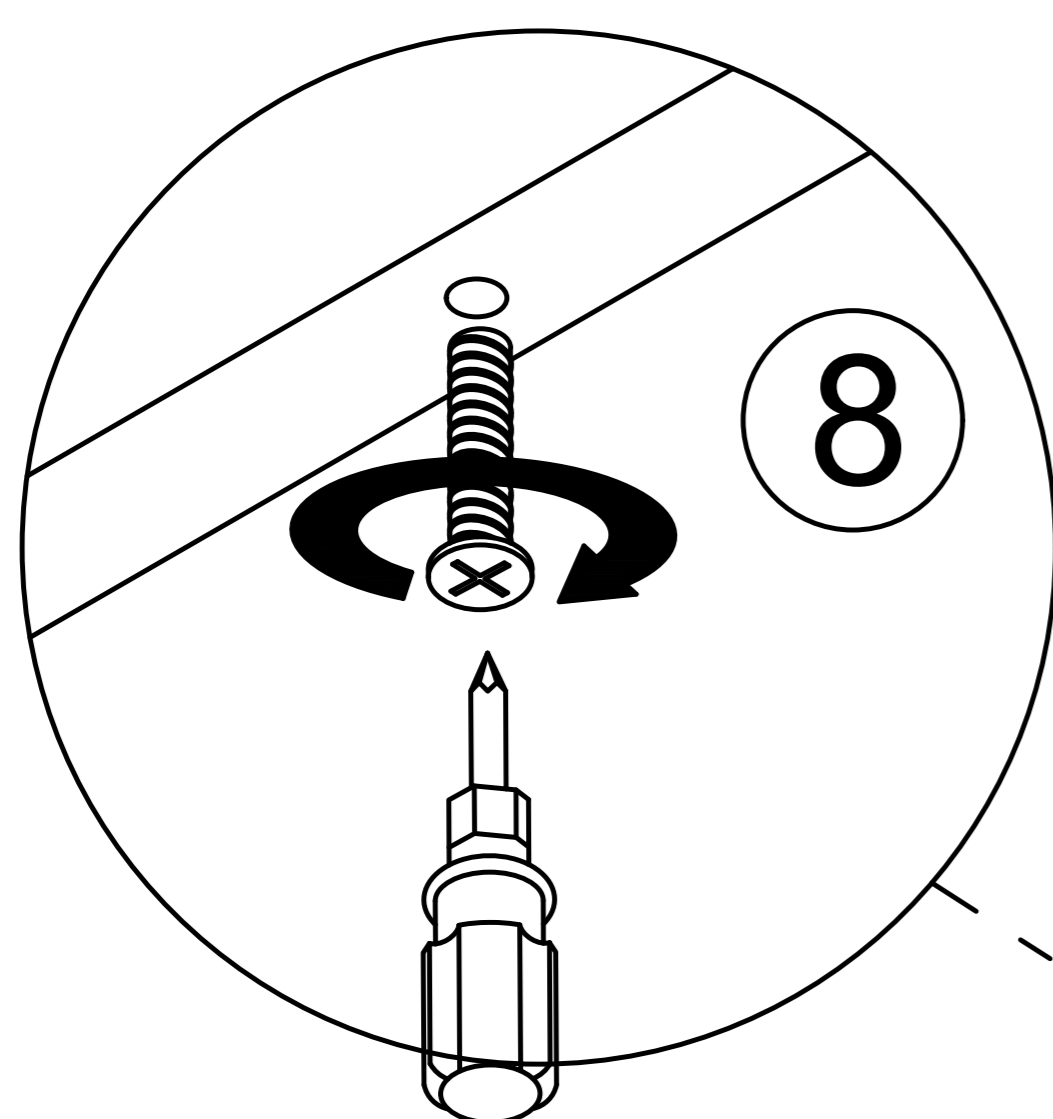


Ste 35

8

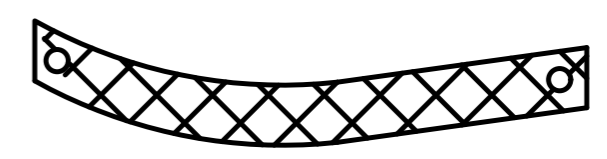


x 4



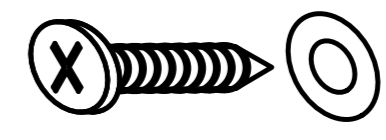
Step 36

13

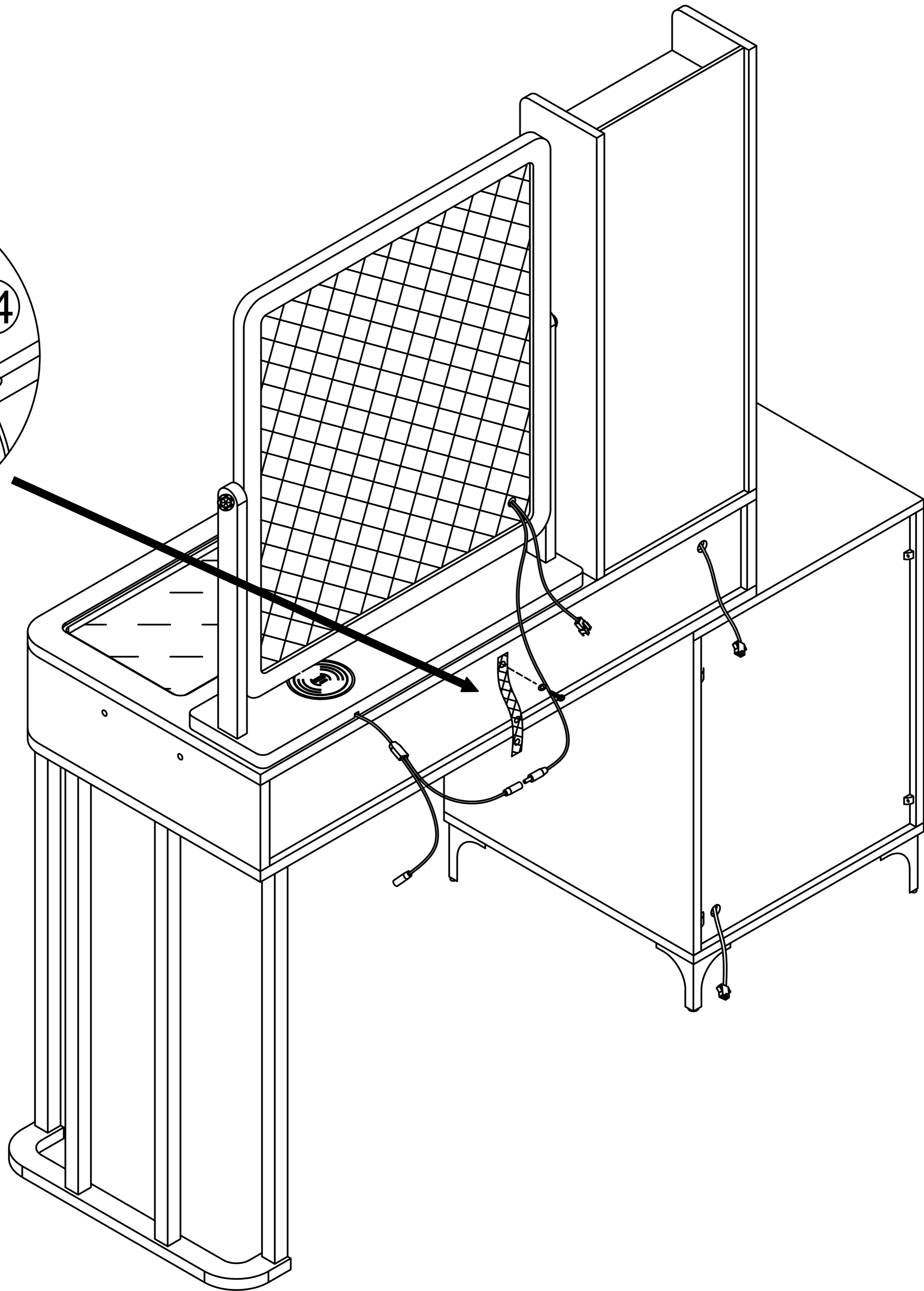
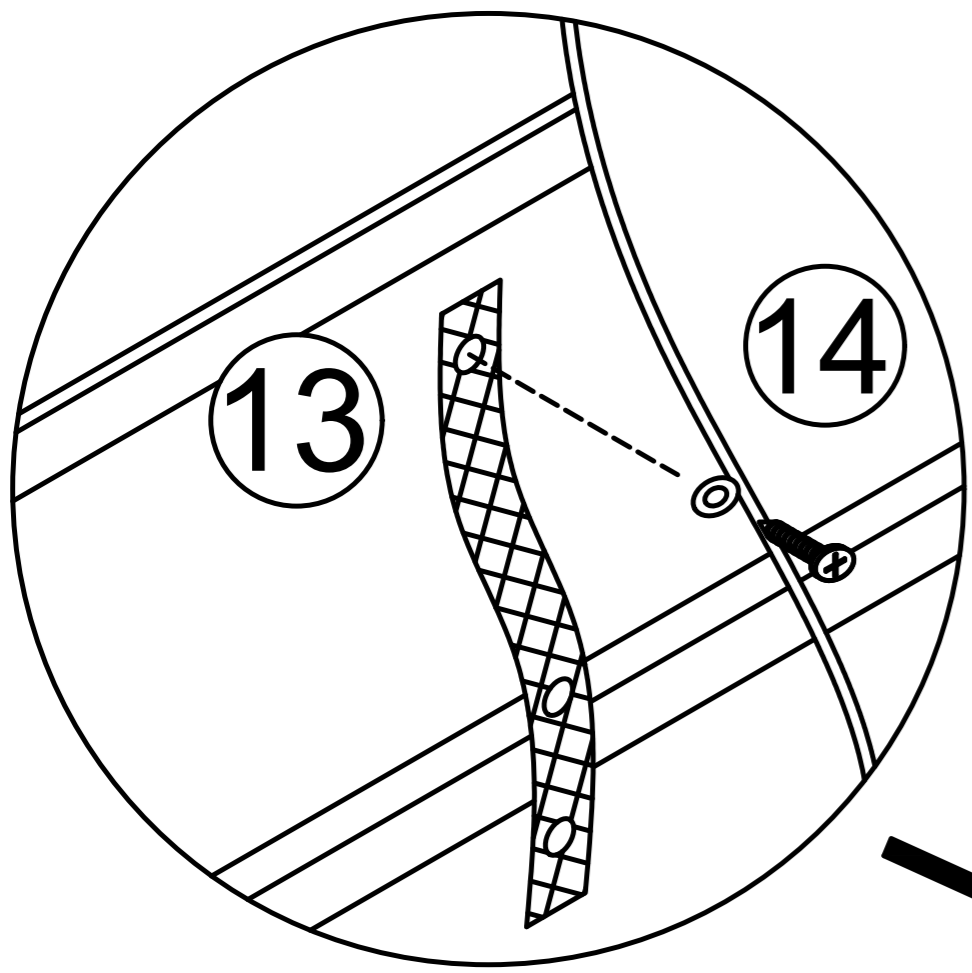


x 1

14

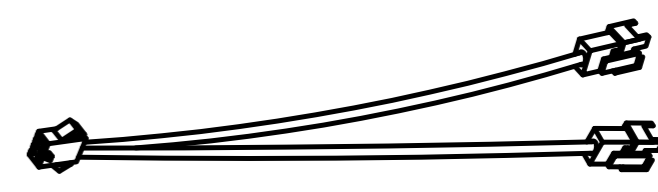


x 1



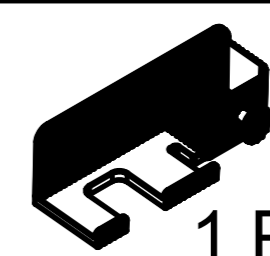
Step 37

22

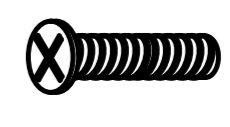


X 1

20

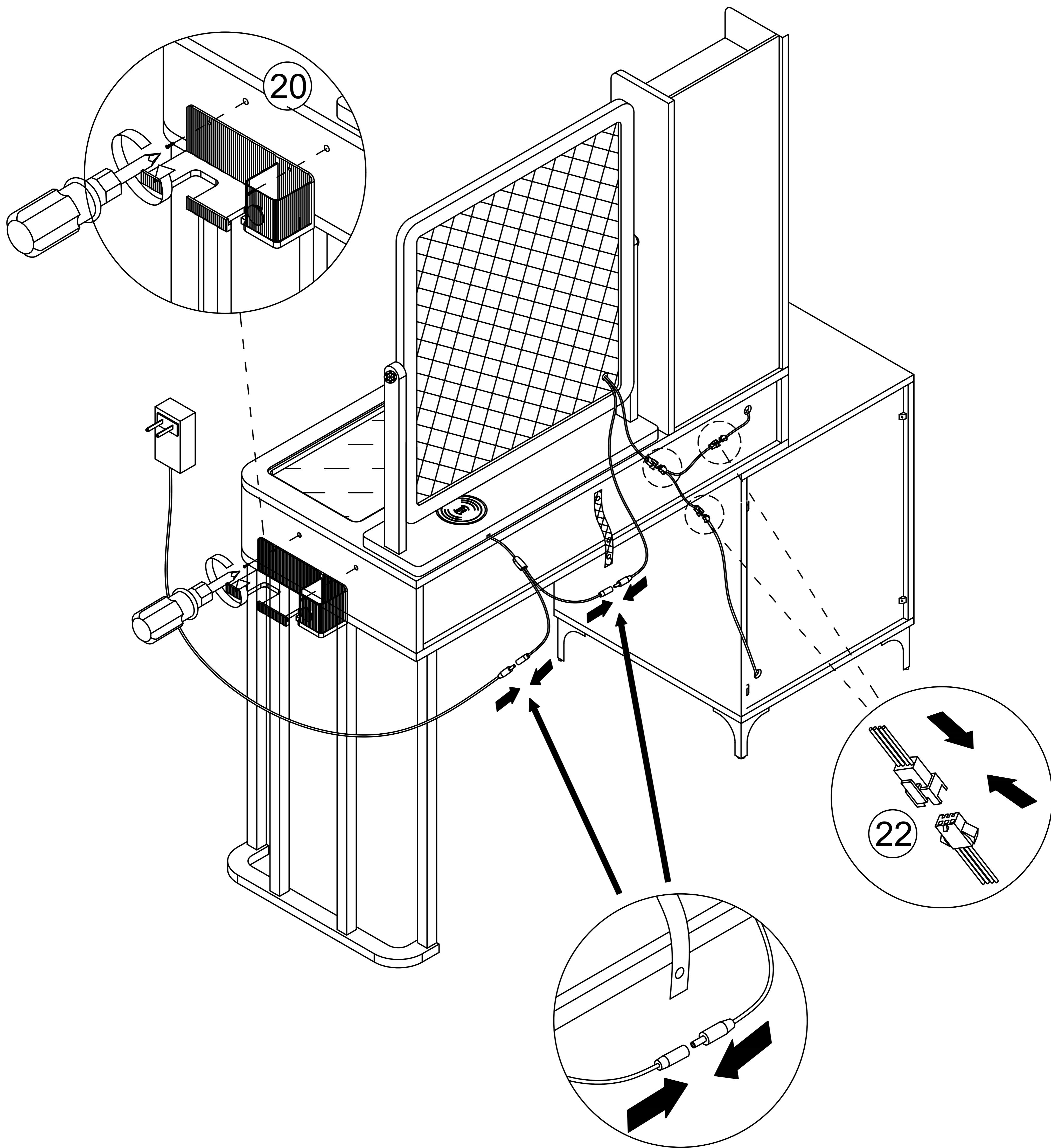


1 Pcs



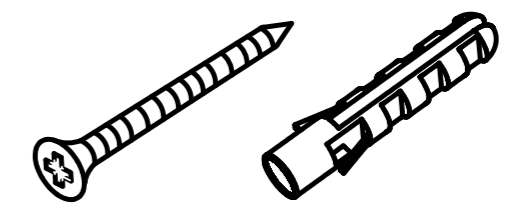
2 Pcs

X 1



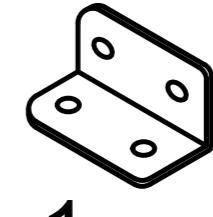
Step 38

12

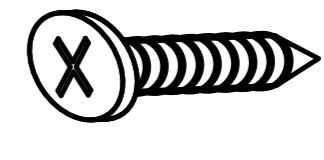


x 1

11

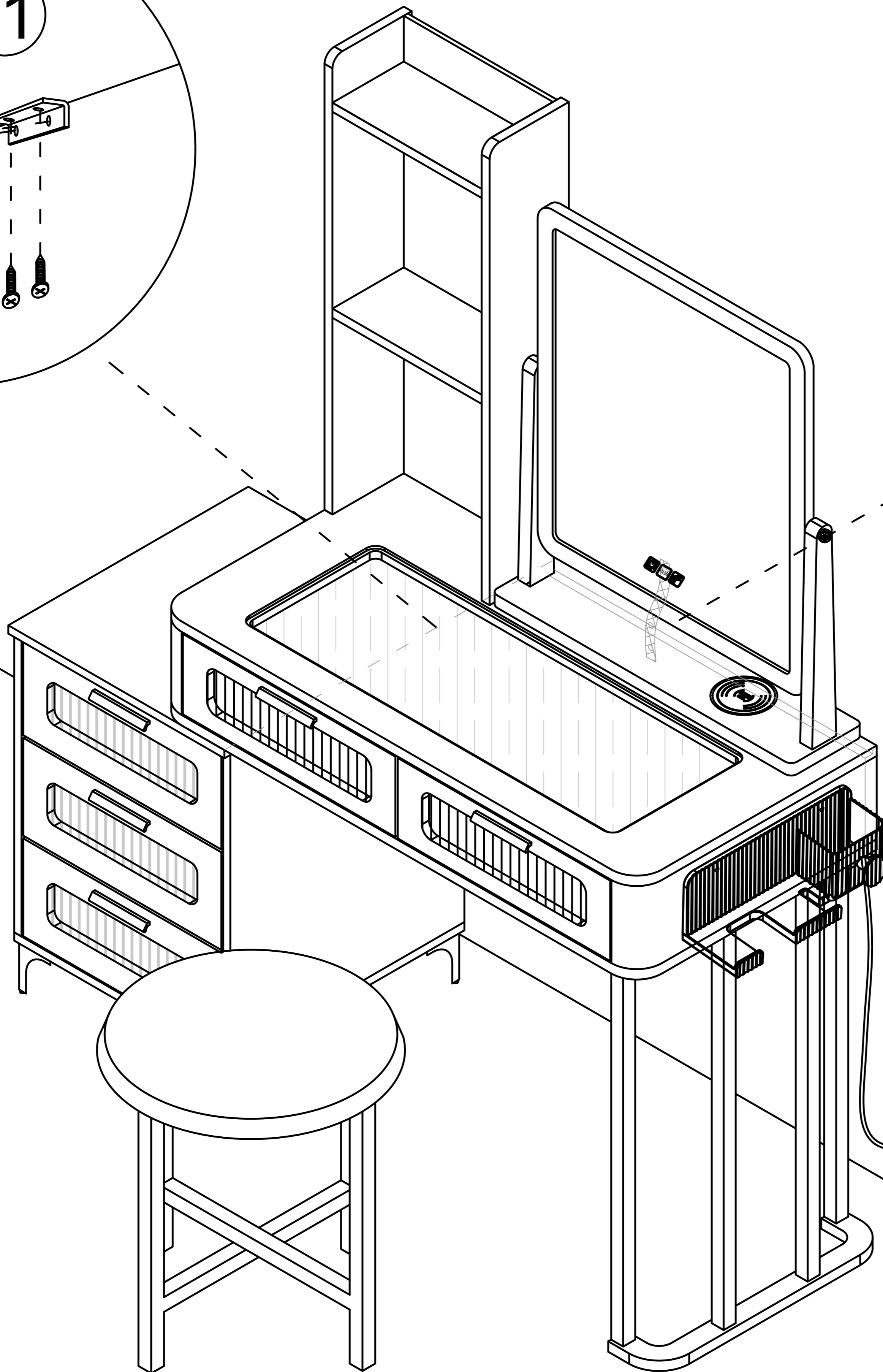
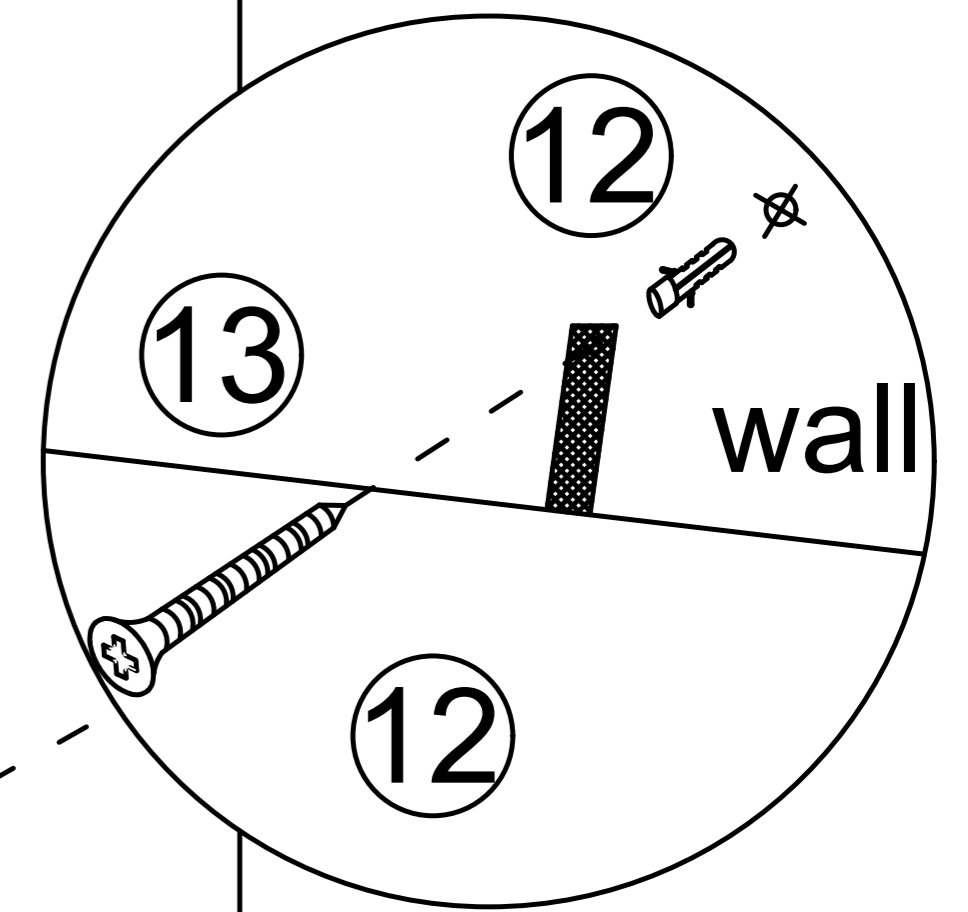
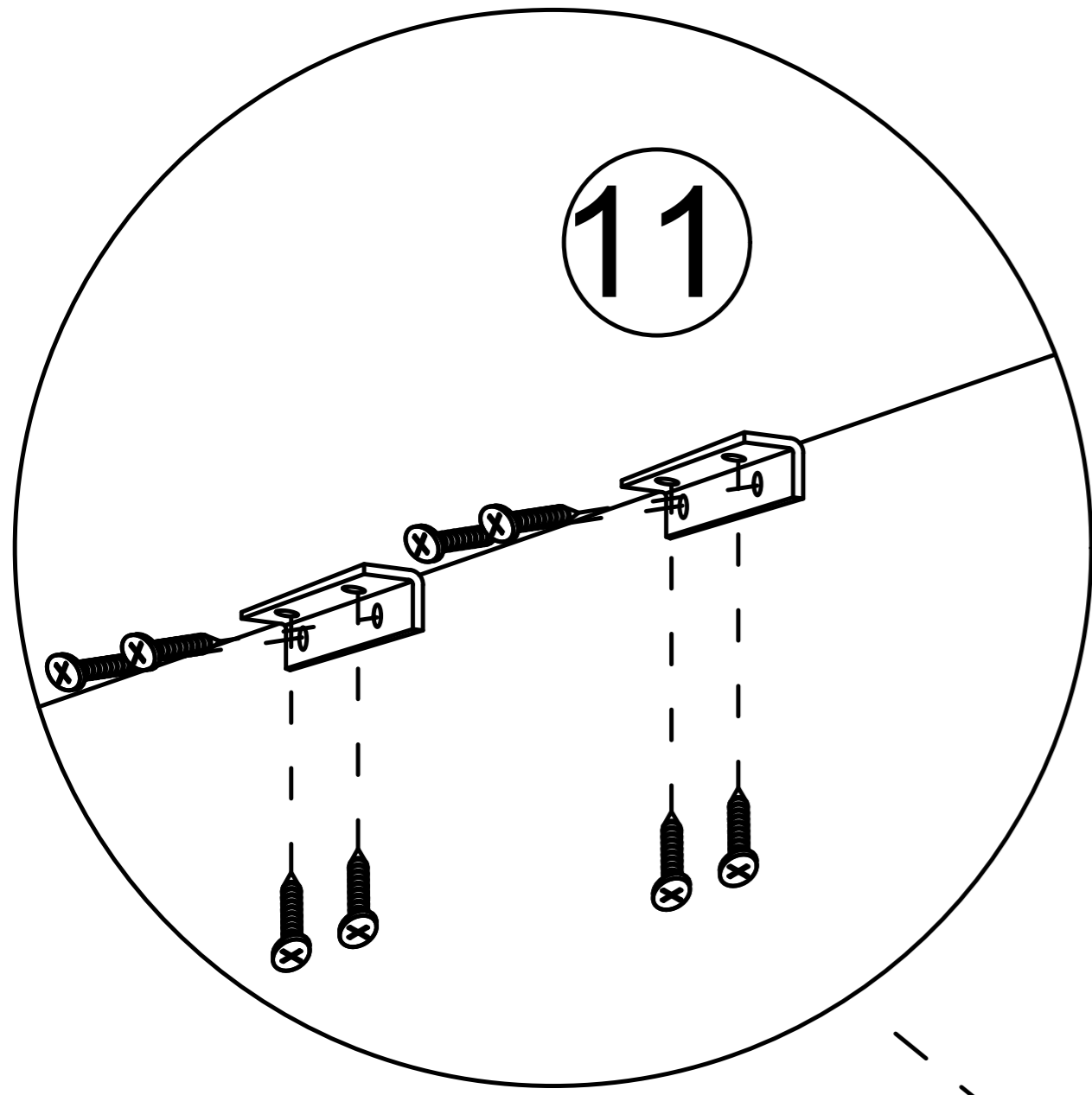


1 pcs



4 pcs

2 Pcs

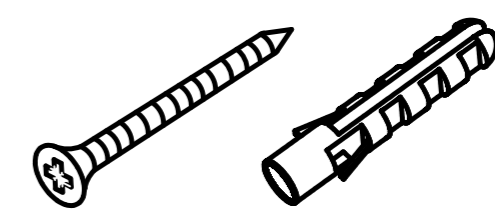


wall

Left side installation method

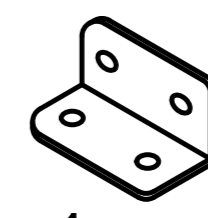
Step 39

12

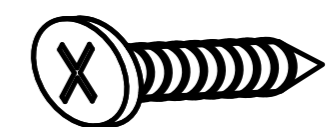


x 1

11

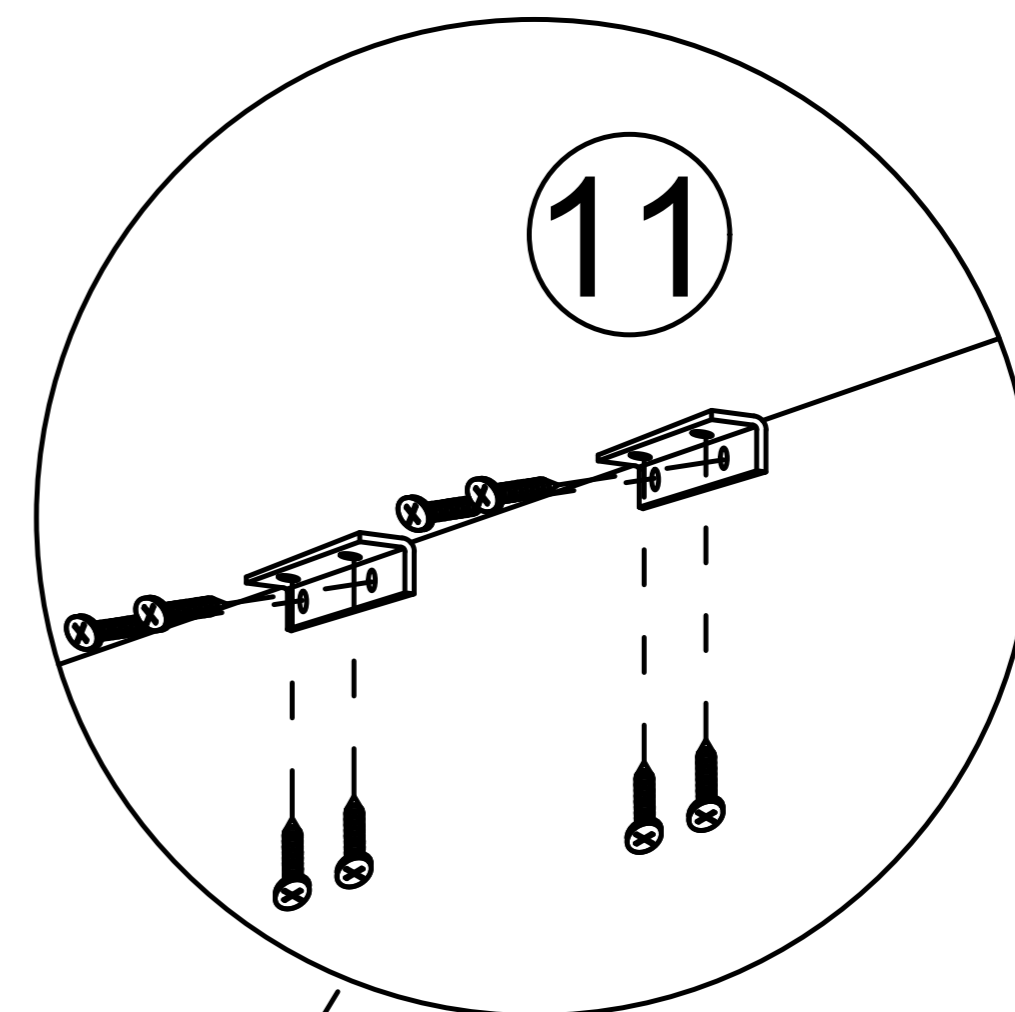
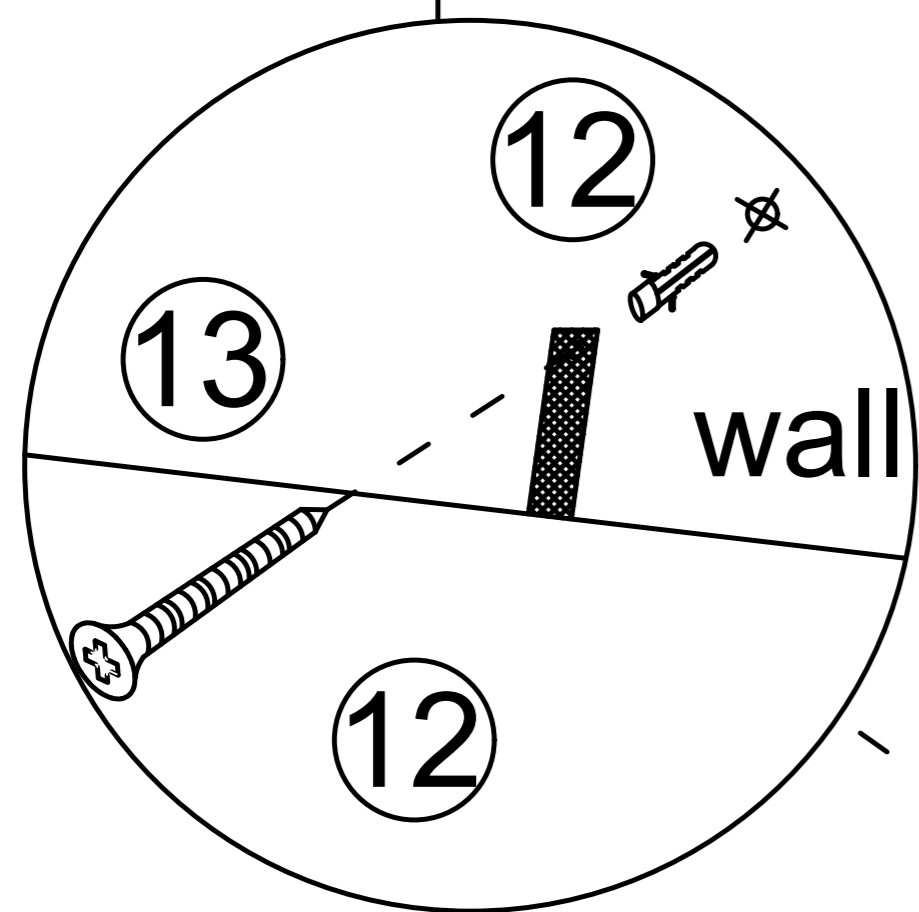


1 pcs

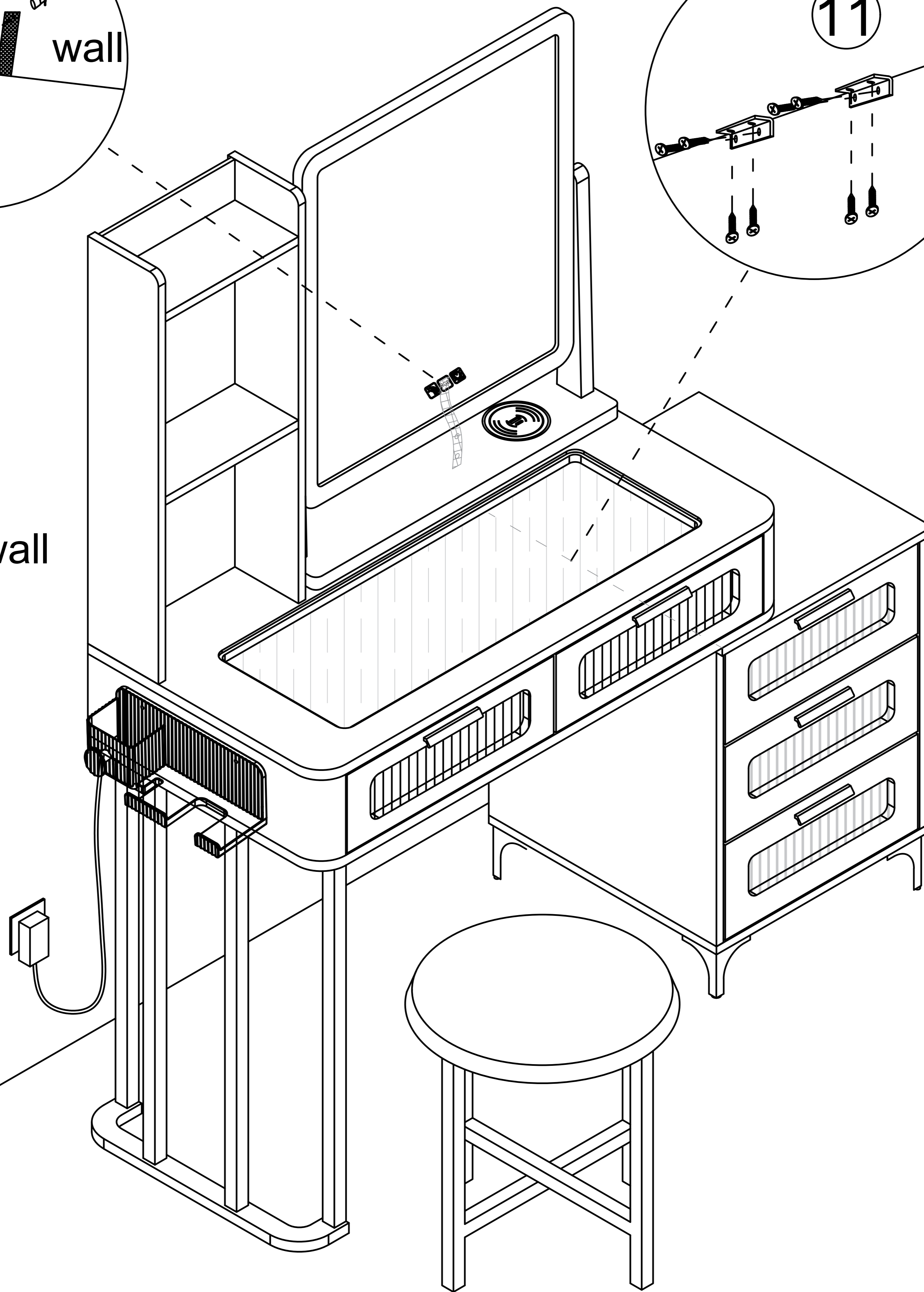


4 pcs

2 Pcs



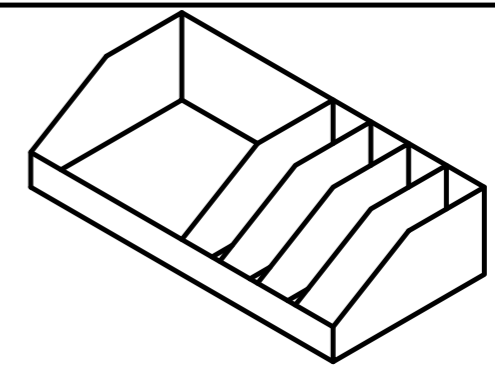
wall



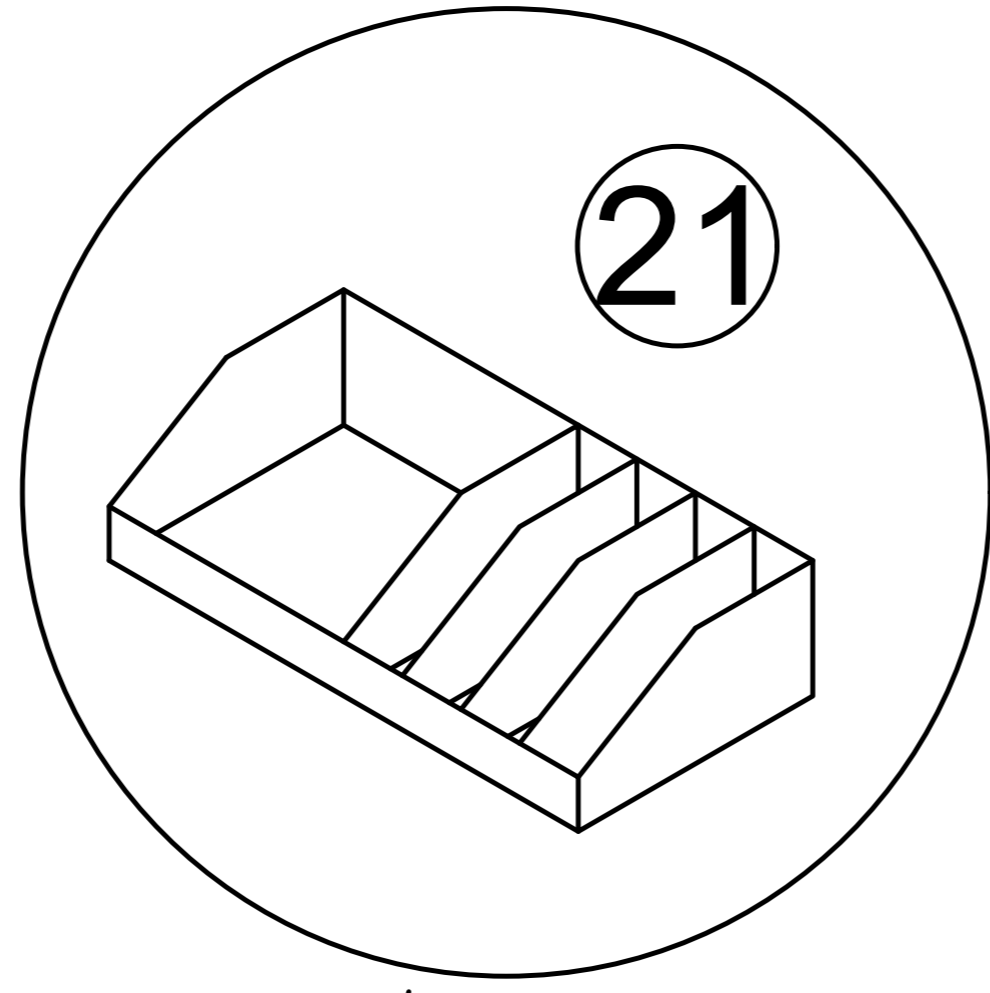
Right side installation method

Step 40

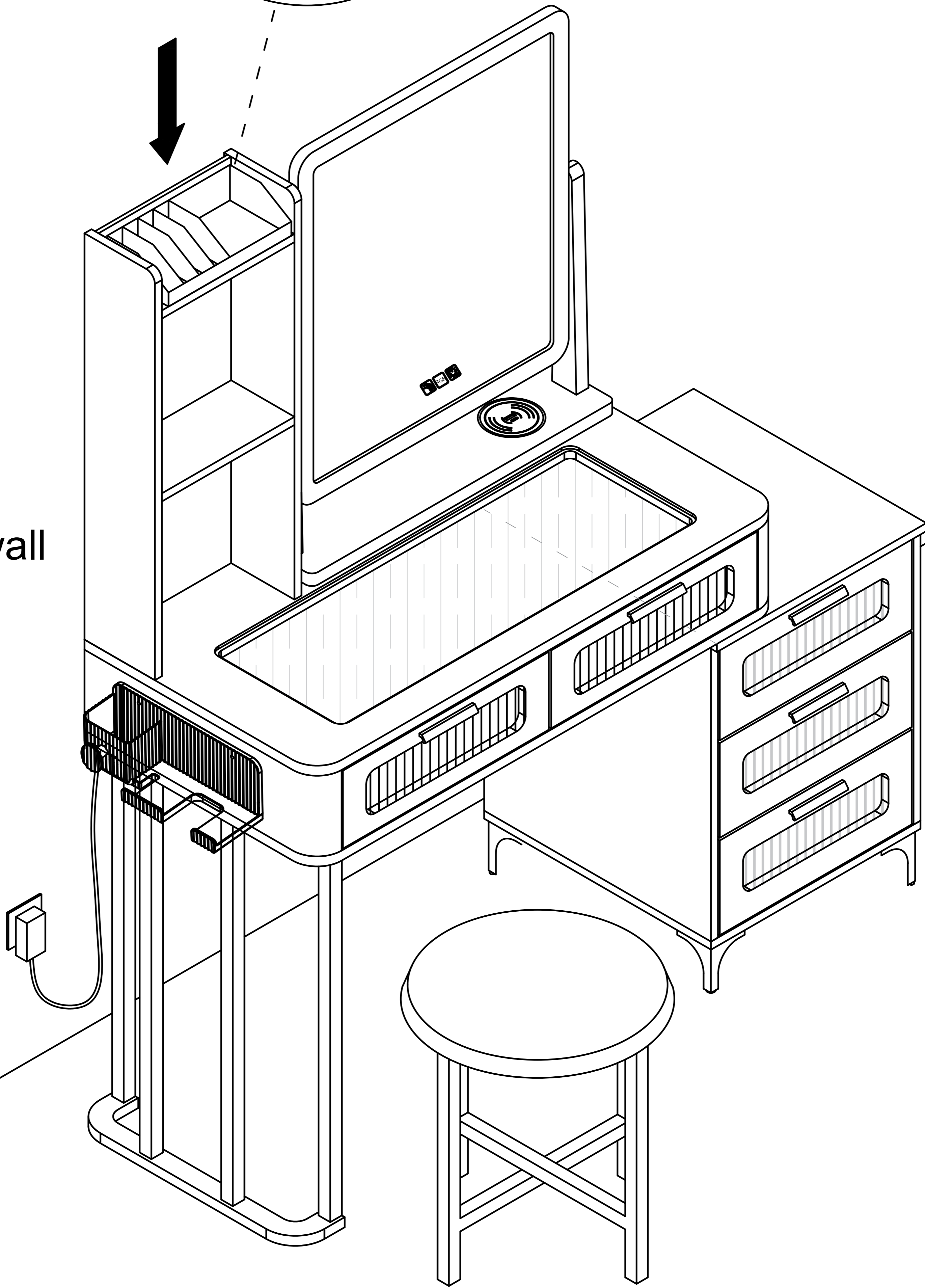
21



x 1



wall



User's Guide

Thank you for purchasing this product.

To use this product, please plug it into a 12V DC power supply.

Please use if the product works normally after connecting to power.

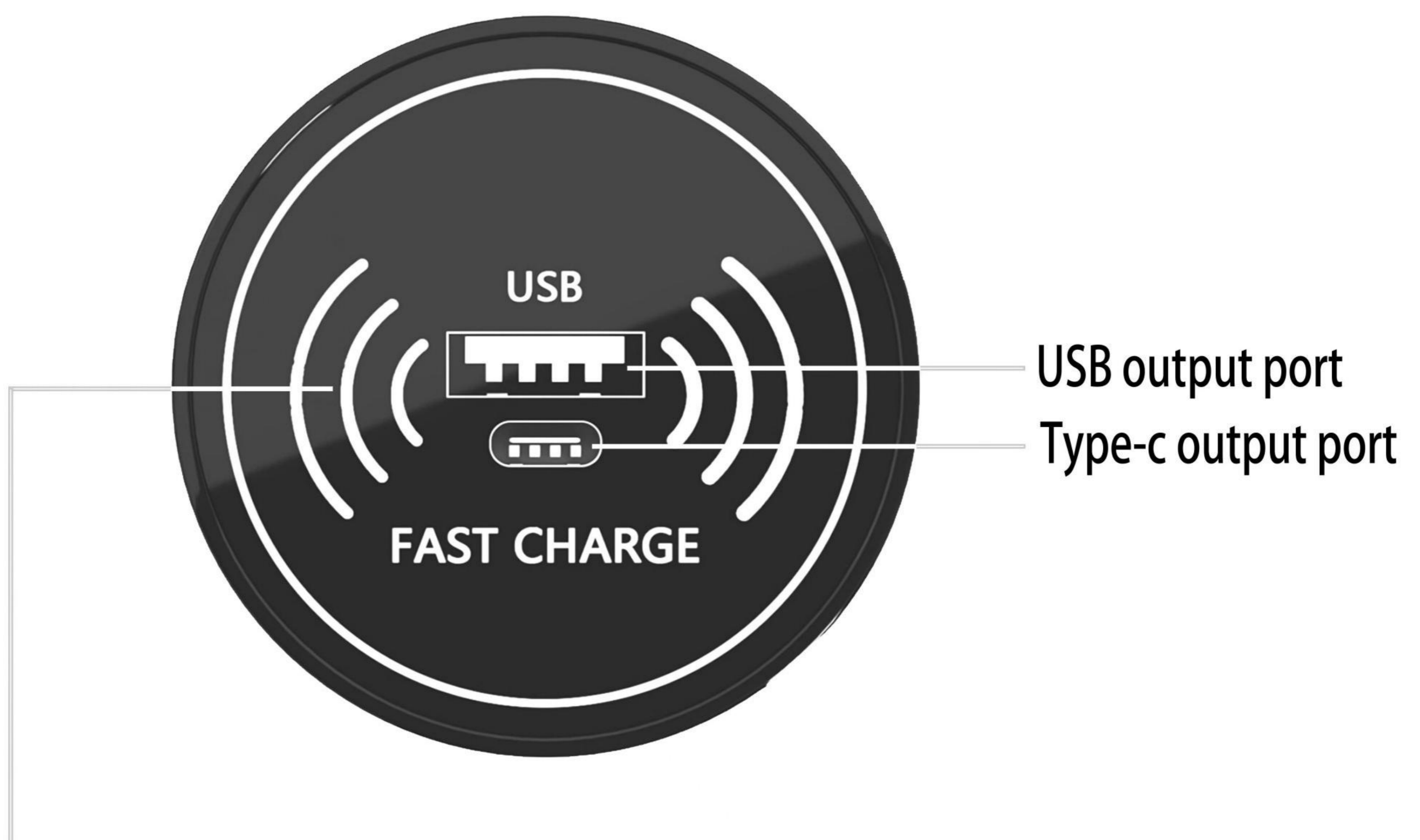
Introduction

The box has 1 USB port and 1 Type-C port and wireless charging capability



ATTENTION PLEASE

1. If there is no touch response suddenly, Re-plug the power to reset the touch static electricity.
2. If bubbles appear on the panel, remove the protective film.
3. If you have any questions when installing, please feel free to contact us. Thank you.



This range is a wireless charging area,
and only mobile phones with wireless charging function can be charged.

Consumer Reminder: Important Notice for Wireless Charging Use

1, Phone-Only Wireless Charging:

This device supports wireless charging for mobile phones only.

Attempting to charge other electronic devices may result in danger.

2, Metal Warning:

Ensure that no metal objects are placed between your phone
and the wireless charger (this includes magnetic or metal phone cases).

If there are metal objects can interfere with charging or cause hazardous conditions.

Touch button description



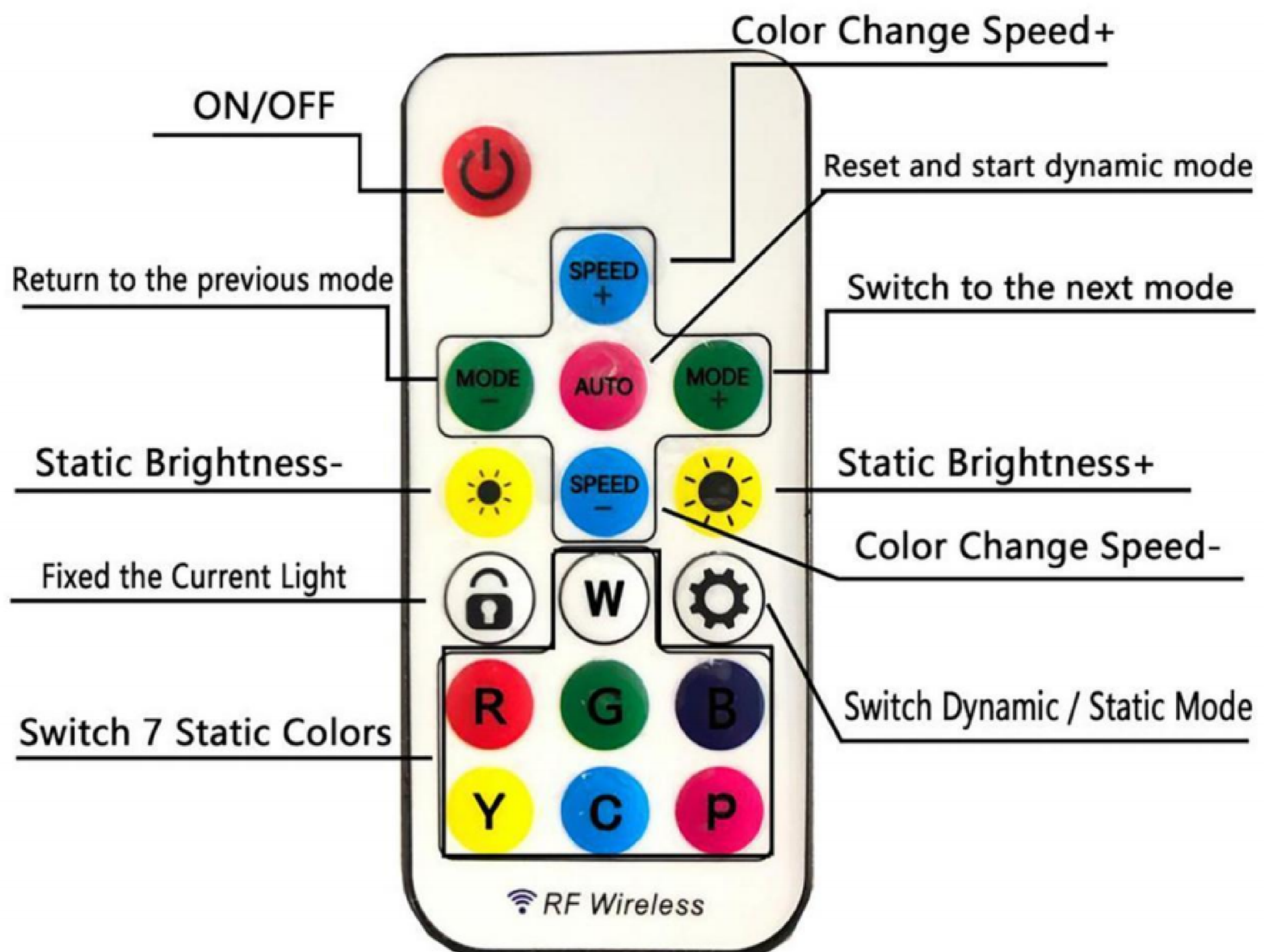
1. ON/OFF

2. Static Light Mode

3. Dynamic Mode

(Long press to adjust brightness)

(Long press to adjust speed)



LED Lights Controller-use instructions

Remote Battery: CR2025 3V

How to use the controller?

1. After inserting the DC power adapter, you can use the remote control to control the lamp. Press the "on/Off" button to turn on the light and enter the static light mode.

Long press the "on/Off" button to turn off the light.

2. There are 7 RGB Dynamic Modes. You can press the "MODE+/-" key to choose dynamic colors that you preferred and press the "Speed+/-" key to adjust color change speed.

3. There are 7 static colors: White / Red / Green/ Blue / yellow / ice blue/ pink light. You can press the "Brightness +/-" key to adjust the brightness.

4. You can press the "lock" key to fix the color you like. When you press the "Switch Dynamic /Static Mode" key, the light will change between dynamic mode and static mode.