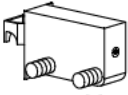
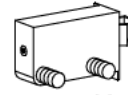

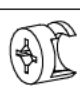
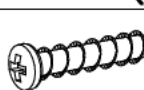
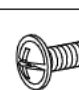
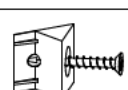

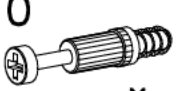

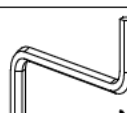
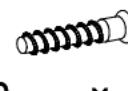

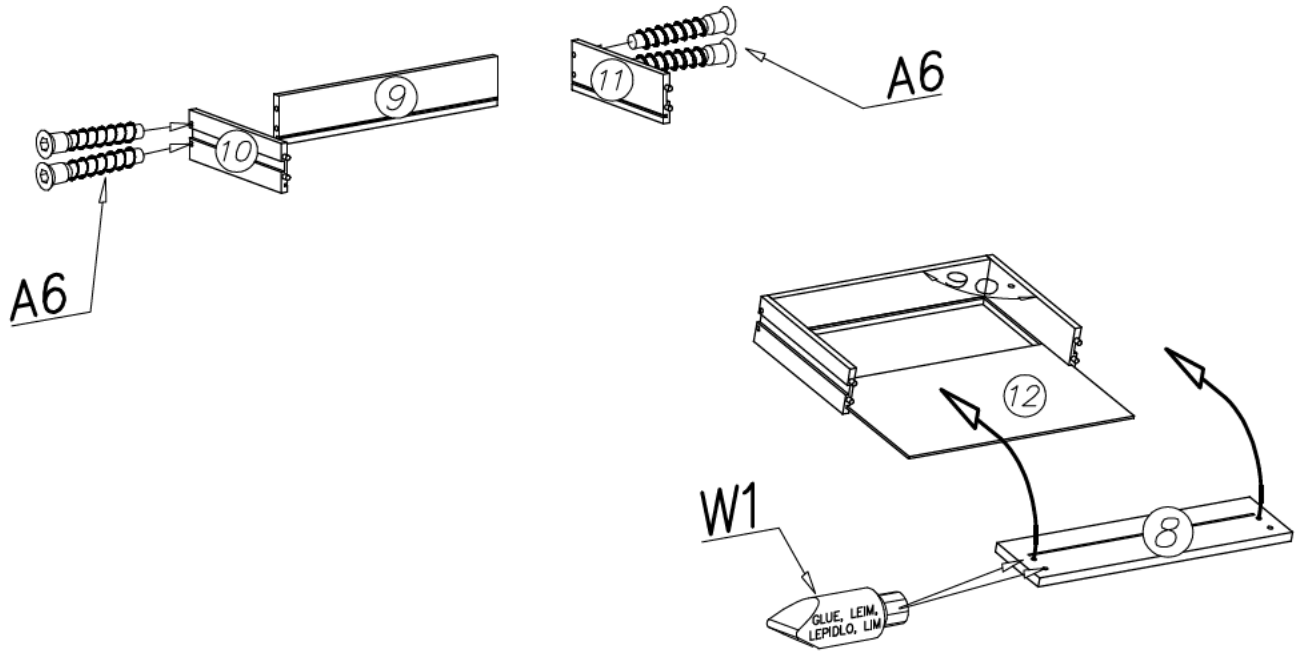
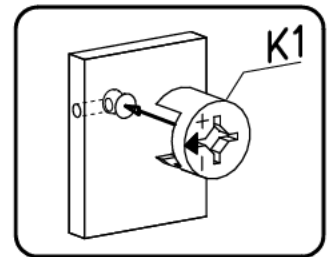
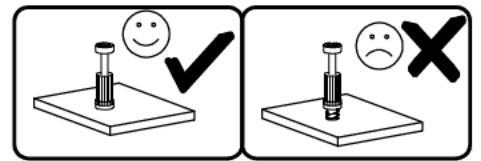
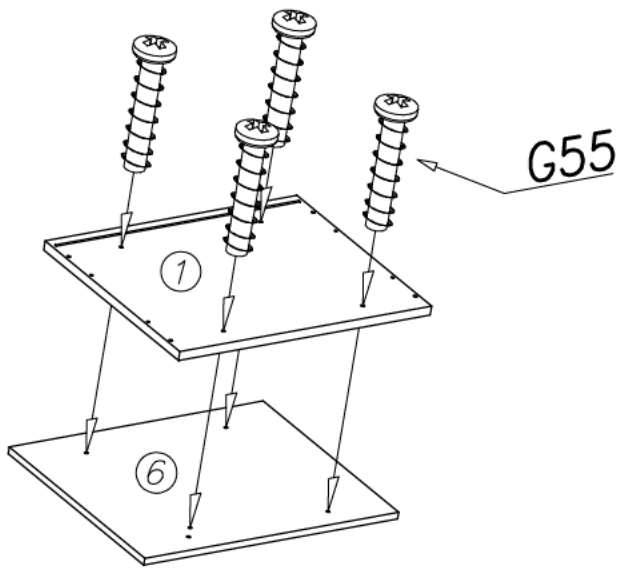


U9L  x...(1)	U9R  x...(1)	H2  246mm x...(2)		
K1  ø15x12 x...(8)	G55  6x22 x...(4)	N1  M4x9 x...(2)	I1  x...(2)	W1  GLUE, LEIM, LEPIDLO, LİM x...(1)
K10  x...(8)	G50  6x13 x...(4)	W2  x...(1)	A6  ø7x40 x...(4)	B2  ø6x35 x...(8)

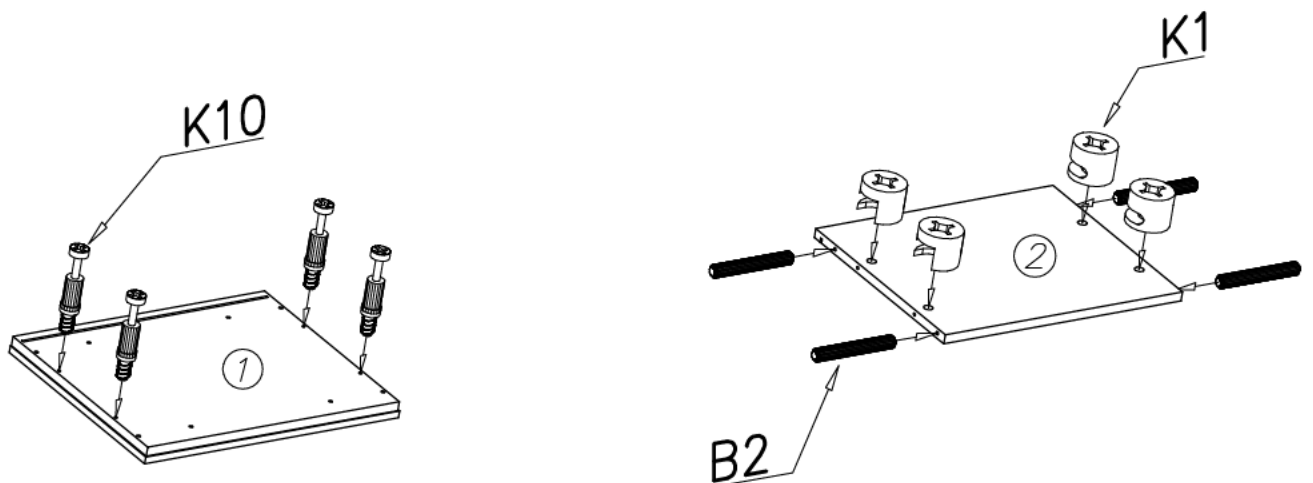
I



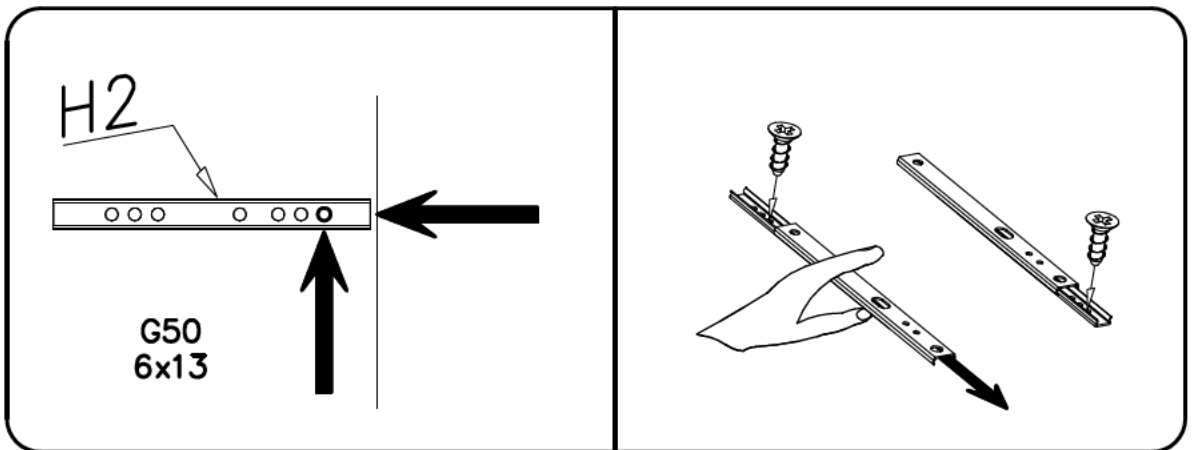
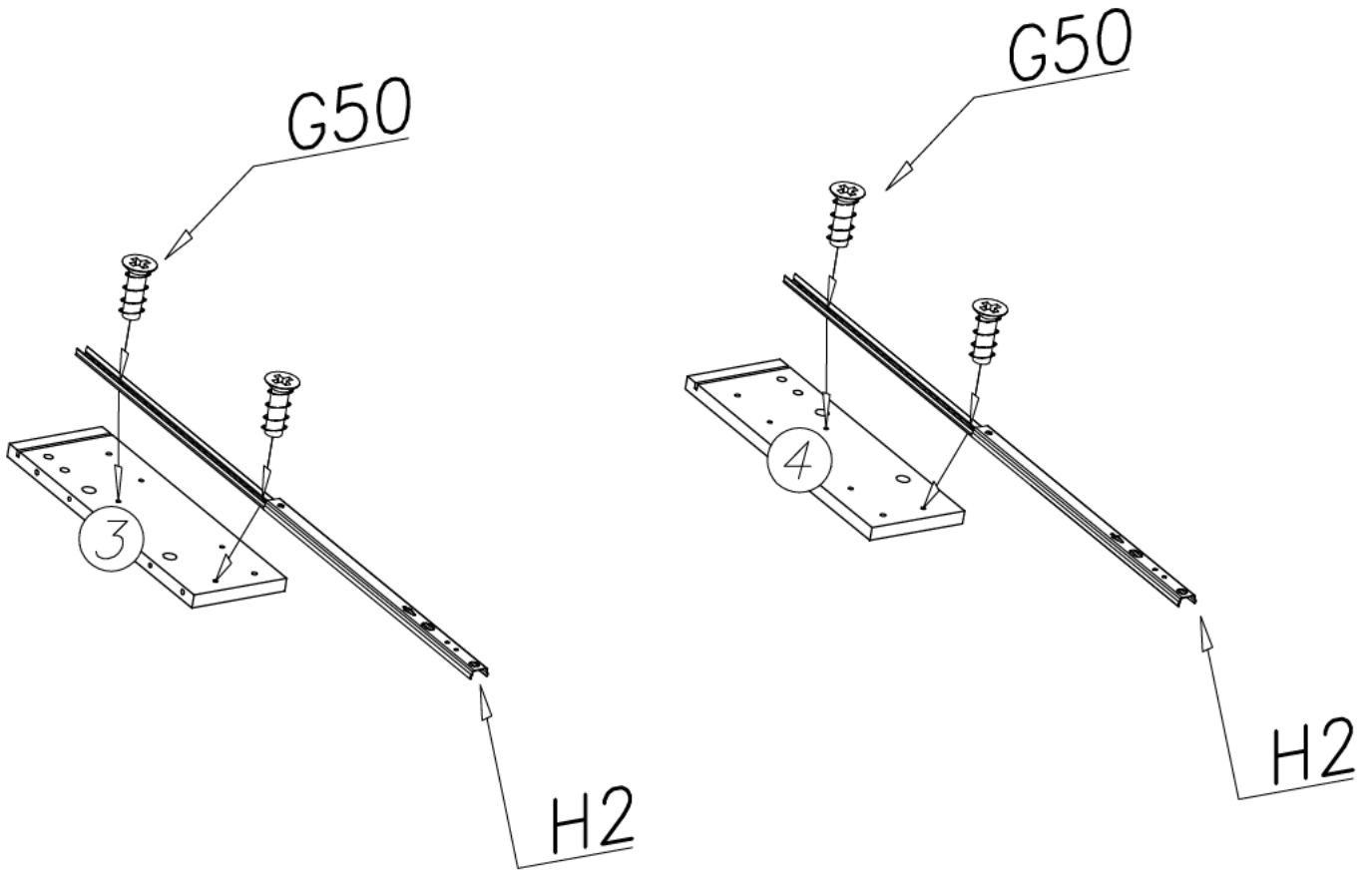
II



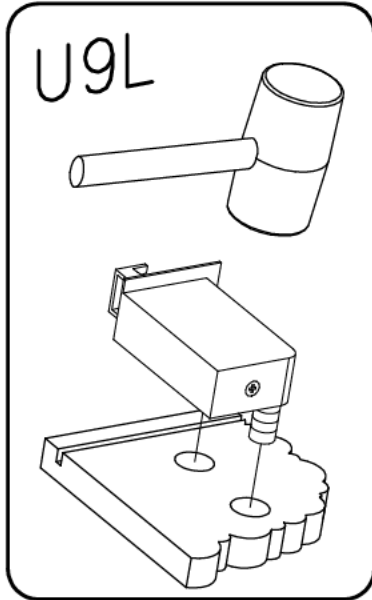
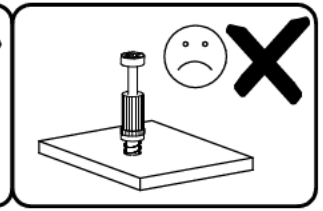
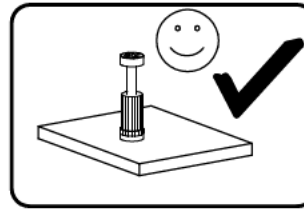
II



IV

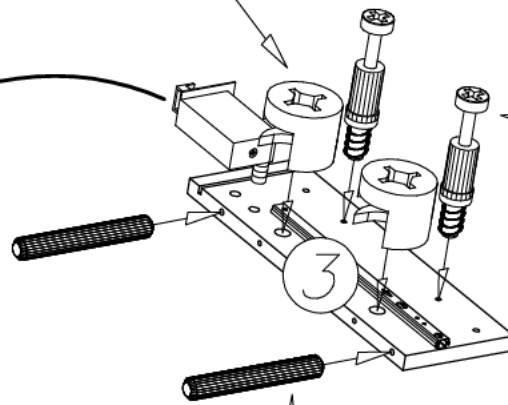


V

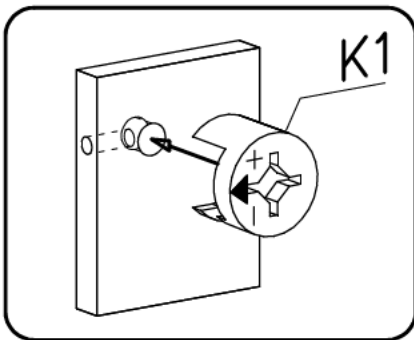


K1

K10

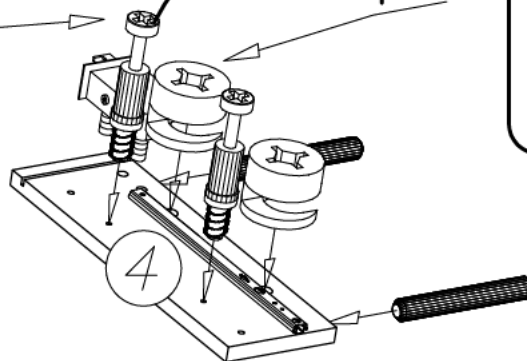


B2

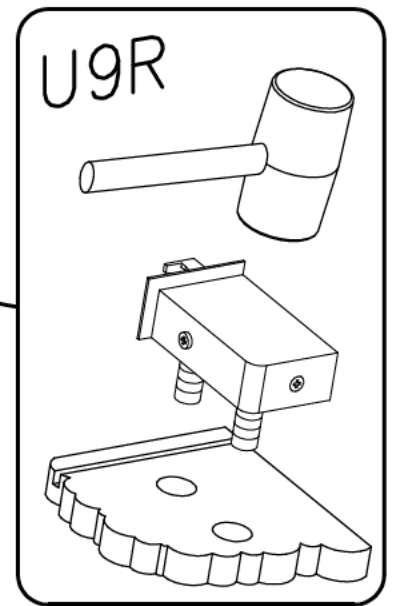


K10

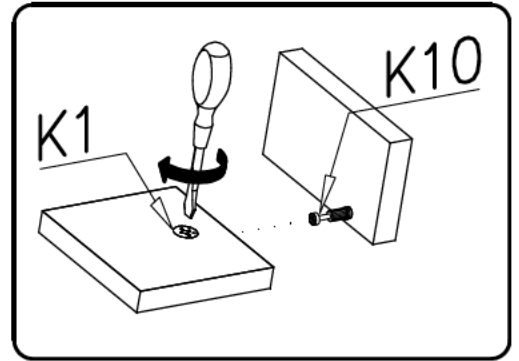
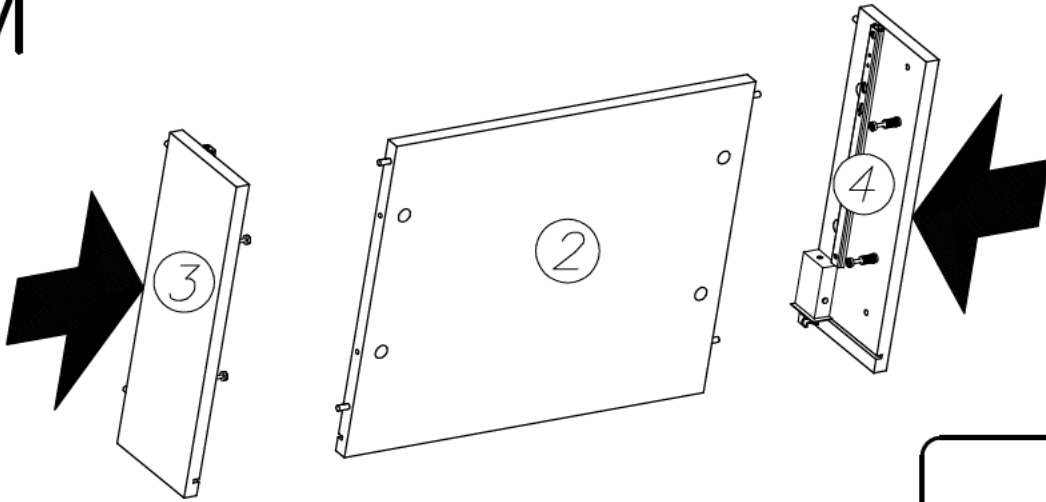
K1



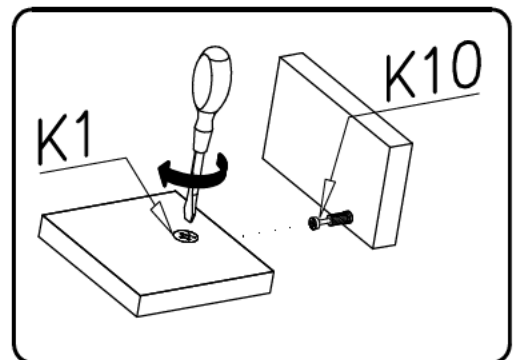
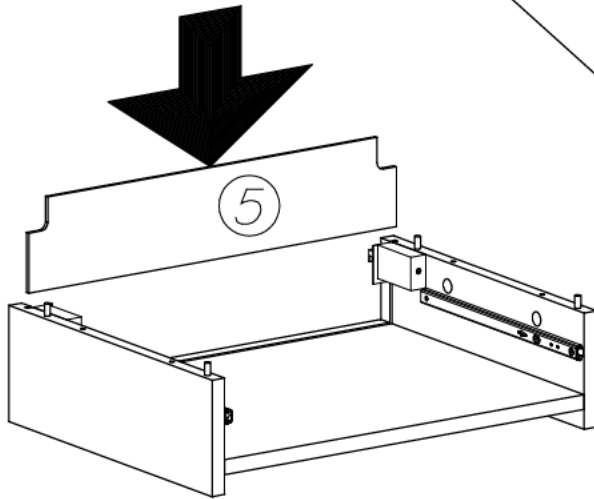
B2



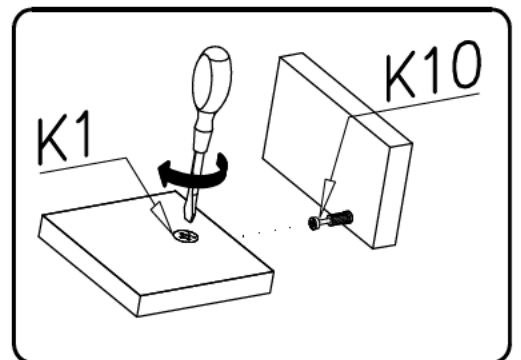
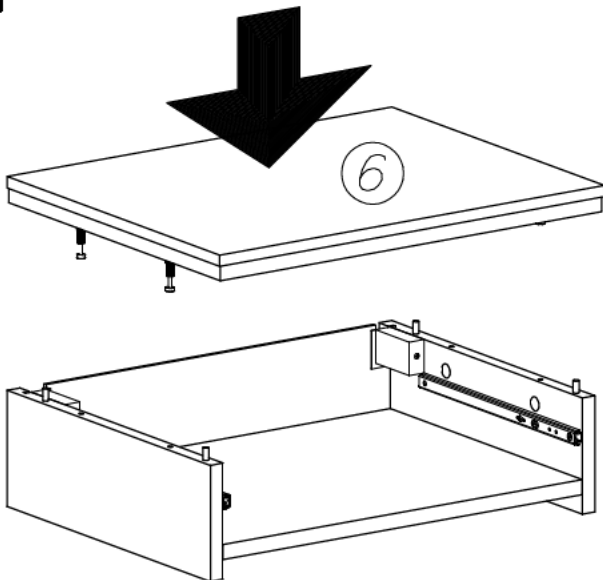
VI



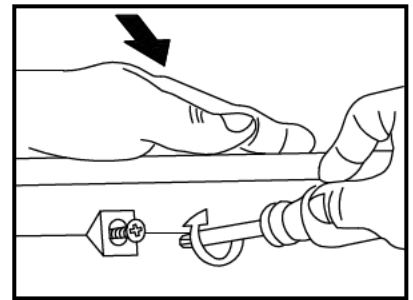
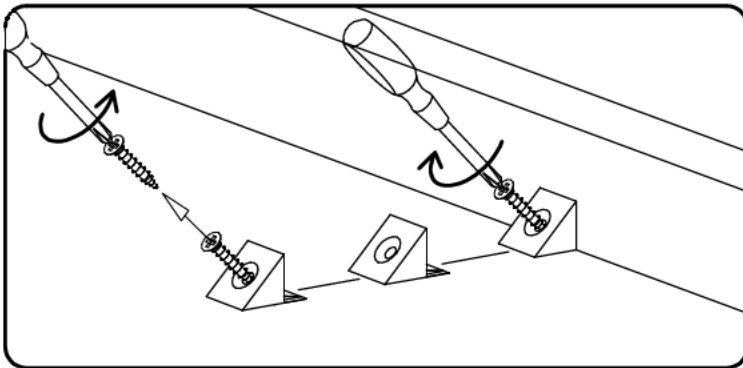
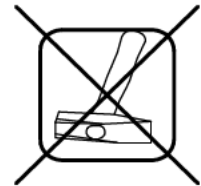
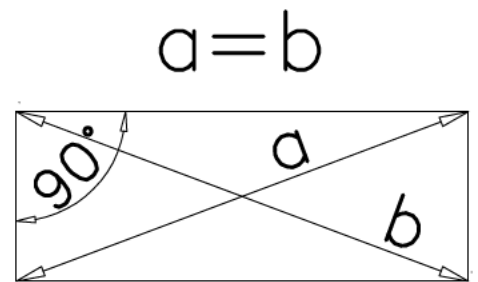
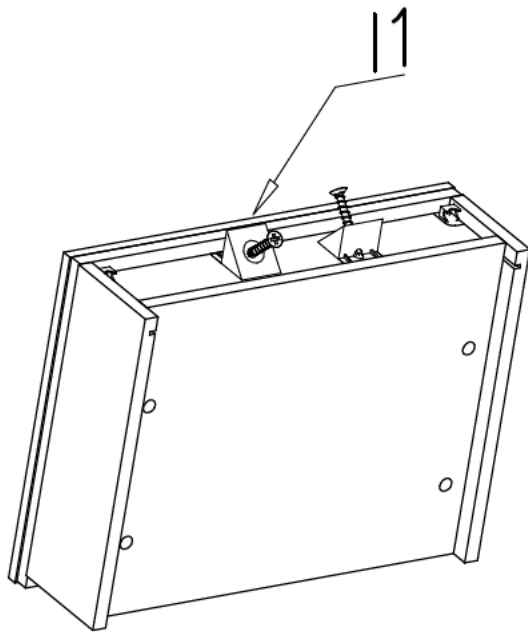
VII



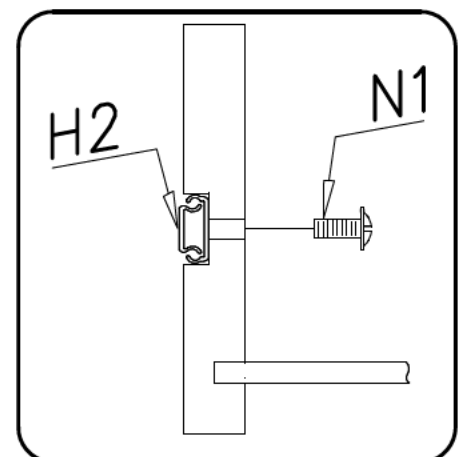
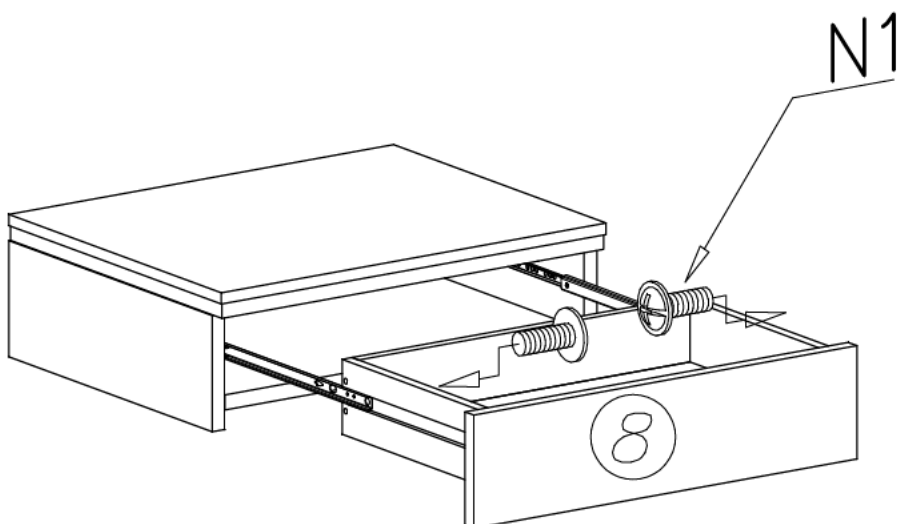
VIII



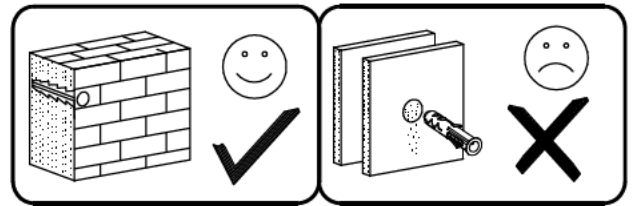
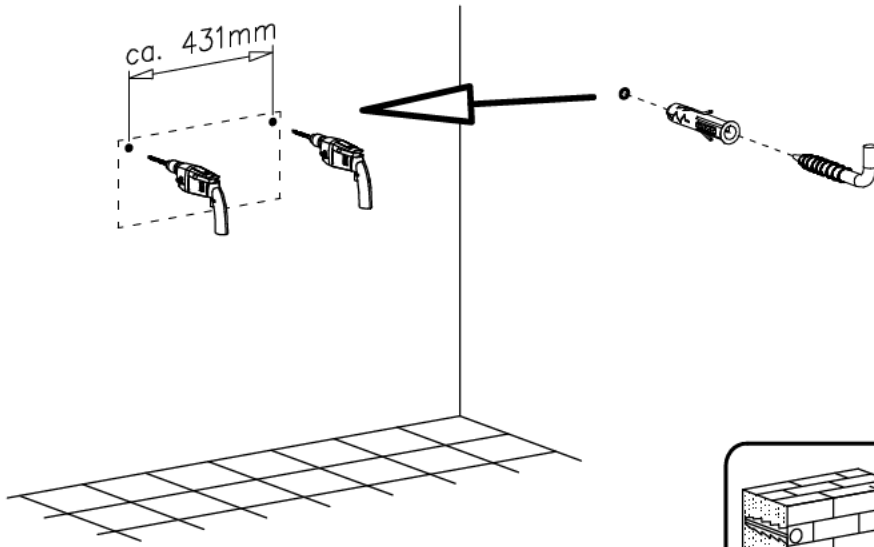
IX



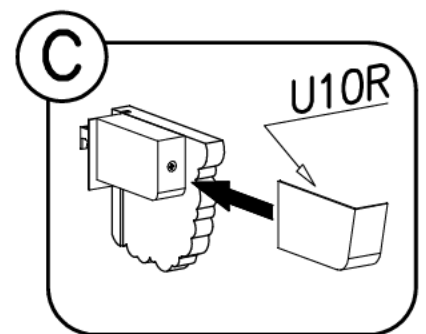
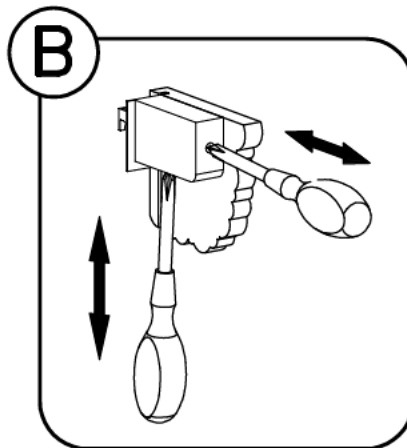
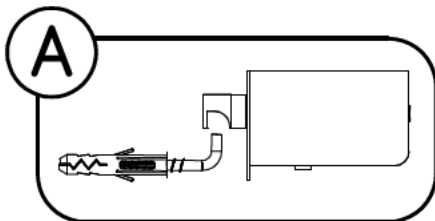
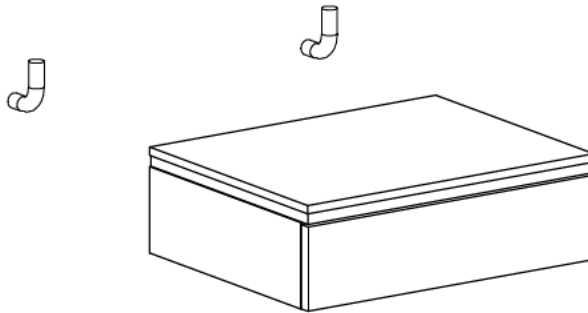
X

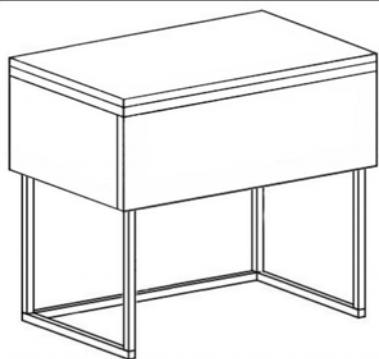


XI



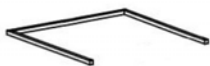
XII





1

A



x1

B



x1

C



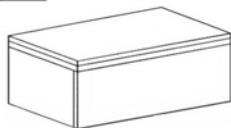
x4

D



x8

E

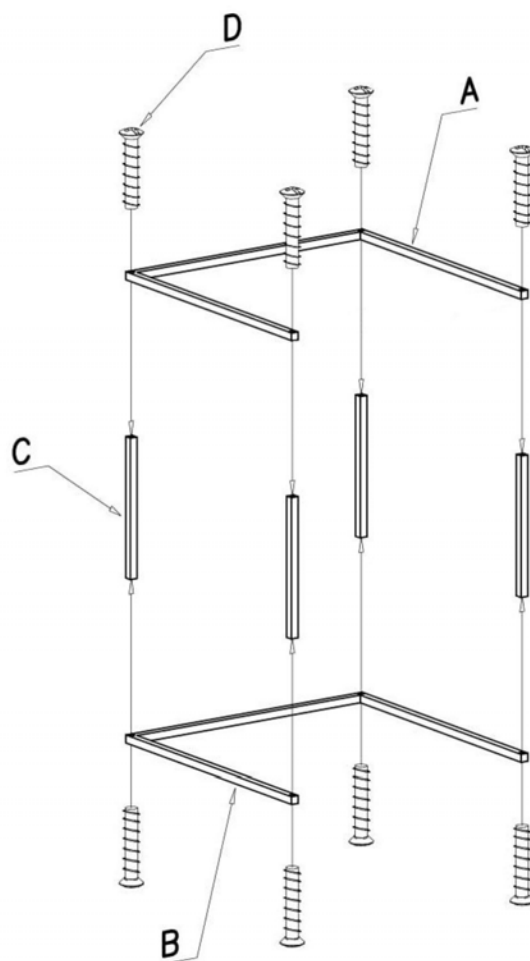


x1

F



x4



2

