

CONSUMER RESPONSIBILITIES

The DISTRIBUTOR's mirrors products will remain beautiful for many years if you properly care for them.

The DISTRIBUTOR does not recommend the use of harsh abrasive cleansers on any of its products. Harsh cleansers will damage the finish of your mirror.

MAINTENANCE

For daily maintenance, use a wet cloth and a soft liquid cleaner.

Never use abrasive cleaners or strong bleach, scrapers, metallic brushes, or other objects or any products which can graze or tarnish surfaces.

LIMITED 1 YEARS WARRANTY

This warranty extends only to the original owner user for personal household use only. For commercial uses, additional limitations may apply.

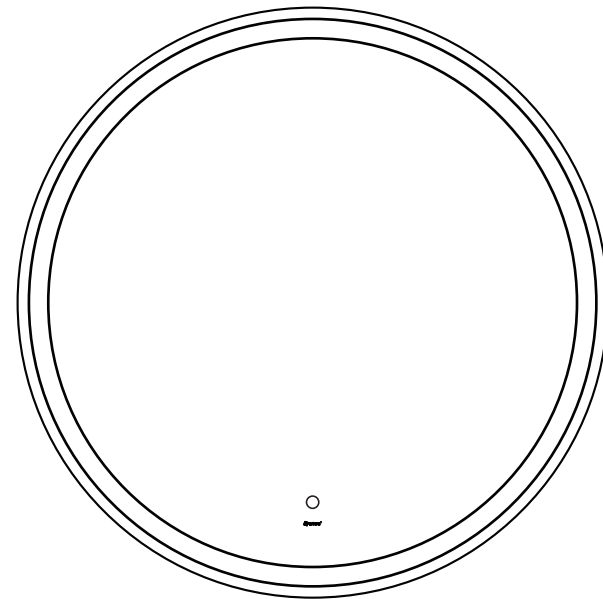
- ▶ The DISTRIBUTOR warrants, mirrors to be free from defects in workmanship and materials under normal use and service for a period of one (1) year.
- ▶ The DISTRIBUTOR will, at its election, repair, replace, or make appropriate adjustment where the DISTRIBUTOR optional inspection discloses any such defects occurring in normal usage within the warranty periods.
- ▶ Please note that the DISTRIBUTOR is not responsible for installation or removal costs.
- ▶ Modification of any mirror's components may void the warranty. This warranty does not cover any claim arising from abuse, misuse, negligence, accident, improper installation or operation on the part of the purchaser. This warranty is void if the DISTRIBUTOR's product is subject to alterations, or if repairs were done to the mirror unit.
- ▶ This warranty does not extend to any components installed by dealers, installers or by any party other than the DISTRIBUTOR.
- ▶ Implied warranties, including that of merchantability or fitness for a particular purpose, are expressly limited in duration to the duration of this warranty.
- ▶ The DISTRIBUTOR disclaims any liability for special, incidental or consequential damages.

THE SOLE REMEDY PROVIDED BY THIS WARRANTY IS THE REPAIR OR REPLACEMENT OF DEFECTIVE PRODUCTS. THIS WARRANTY DOES NOT COVER THE COST OF REMOVAL OR INSTALLATION OF NEW PRODUCTS. THE WARRANTY WILL BE VOID IF THIS ITEM IS INSTALLED WITH OBVIOUS VISUAL DEFECTS.

KWW[®]

Smart LED Lighted Mirror Instruction Manual

Model: HCL-55U-D60-GJC HCL-55U-D70-GJC
HCL-55U-D80-GJC HCL-55U-D100-GJC



Intertek

Made in China

support@kww-world.com

NINGBO KWW TRADING CO.,LTD

CAUTION

IMPORTANT

The installer and/or user must read, understand and follow these instructions before installing the product. This product must be properly installed before it is used. If instructions are not followed, the manufacturer will not be held responsible for any problems or product malfunction. Failure to follow installation and/or operating instructions voids the warranty.

We recommend that this product be installed by a certified electrician. In some states or provinces, it is a legal requirement for this type of product to be installed by a certified electrician, according to the electrical and building codes effective in the region where the unit is used.

WARNING:

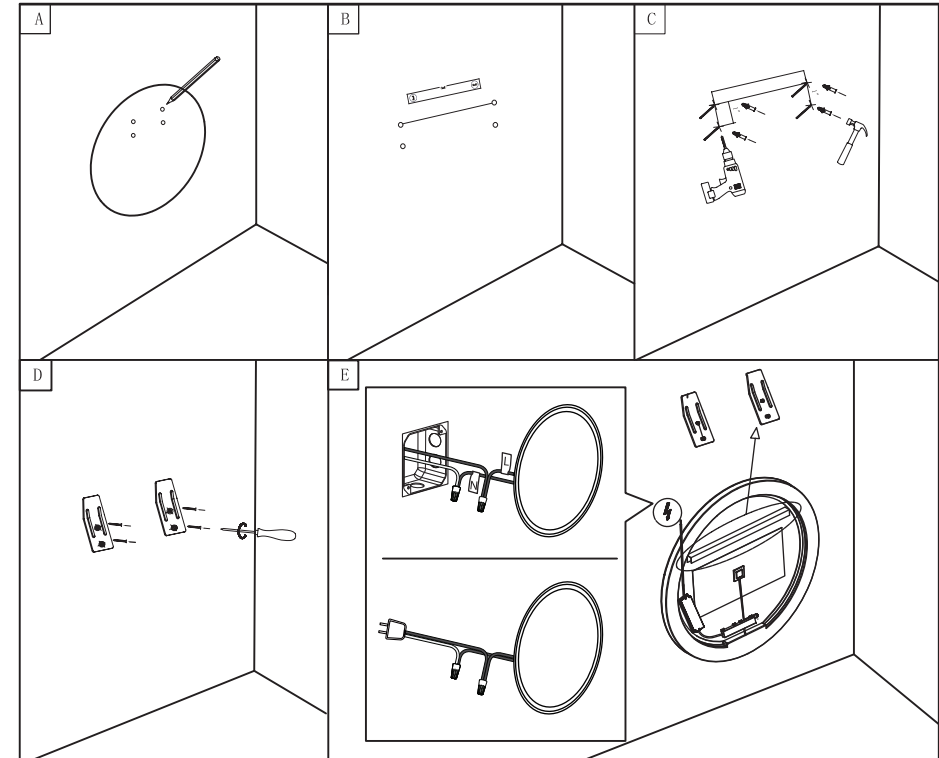
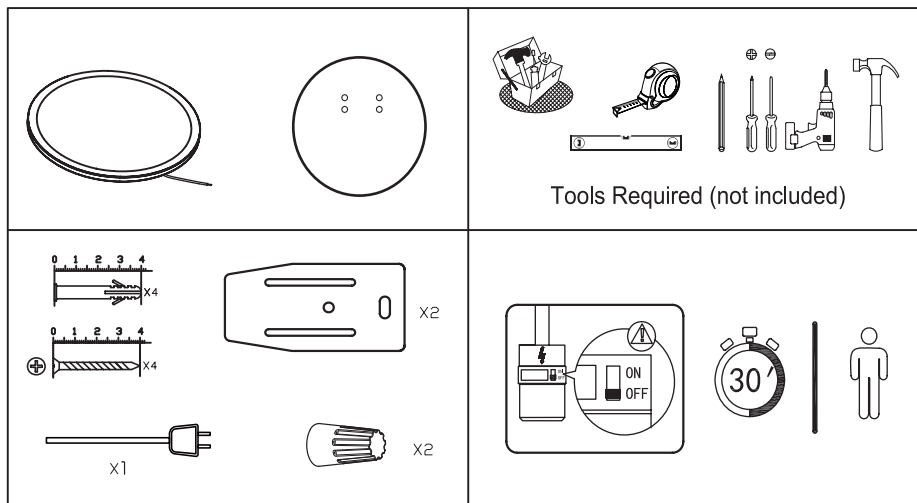


Risk of electrical shock.
Turn off breaker
at the panel.

Switch off the main electrical supply from the fuse box/circuit breaker before installing the unit or doing any maintenance.

Do not use outdoor.

INSTALLATION



- A. Place the mounting paper card in proportion to the position where the mirror is mounted on the wall, and record the 4 punching points with a pen.
- B. Make sure that the line between the two points above is parallel to the ground.
- C. Drill 4 holes and drive into the plastic expansion.
- D. Install the hanging galvanized iron sheet.
- E. Connect the reserved neutral and live wires by the wire connector. If there is no reserved neutral and live wires, you can use the supplied power cord with plug, and finally hang the mirror on the iron sheet to start using.

OPERATION



Short touch the switch for on/off, double-click the switch to change color temperature 3000k-4000k-6500k, long touch the switch for dimming. The defogger film will work with the light, and will automatically turn off after 1 hour.

Memory function for the brightness and colour temperature.