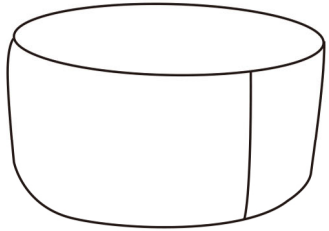


# ASSEMBLY INSTRUCTIONS

(1)X1



(2)X1



(3)X4



(4)X4



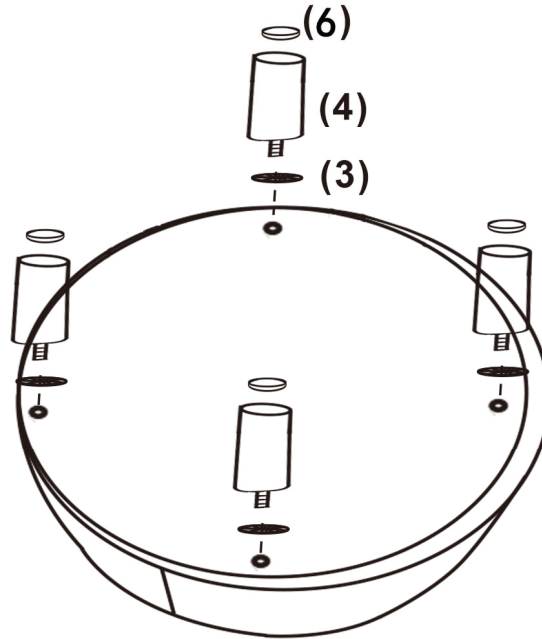
(5)X4



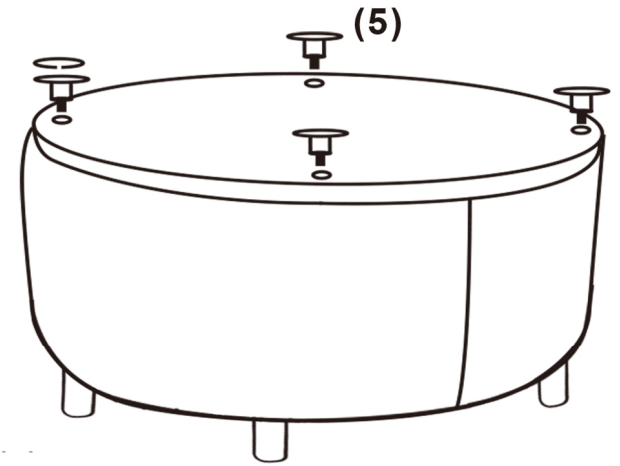
(6)X4



1



2



3

