

**ASSEMBLY TIPS:**

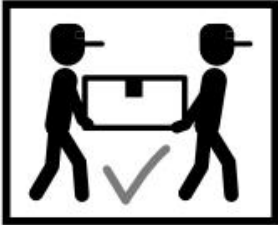
**ASSEMBLY INSTRUCTIONS**

- 1. Remove hardware from box and sort by size.
- 2. Please check to see that all hardware and parts are present prior to start of assembly.
- 3. Please follow attached instructions in the same sequence as numbered to assure fast & easy assembly.



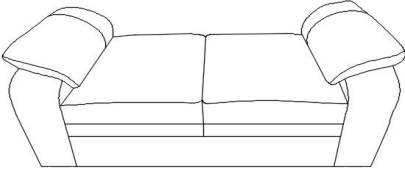
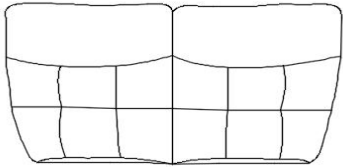



**WARNING!**

- 1. Don't attempt to repair or modify parts that are broken or defective. Please contact the store immediately.
- 2. This product is for home use only and not intended for commercial establishments.



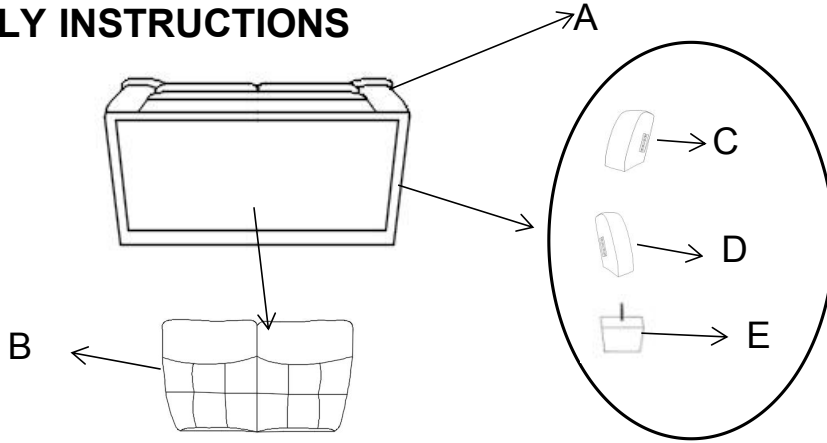
**ASSEMBLY TIME 15 MINUTES**

**PARTS IDENTIFICATION**

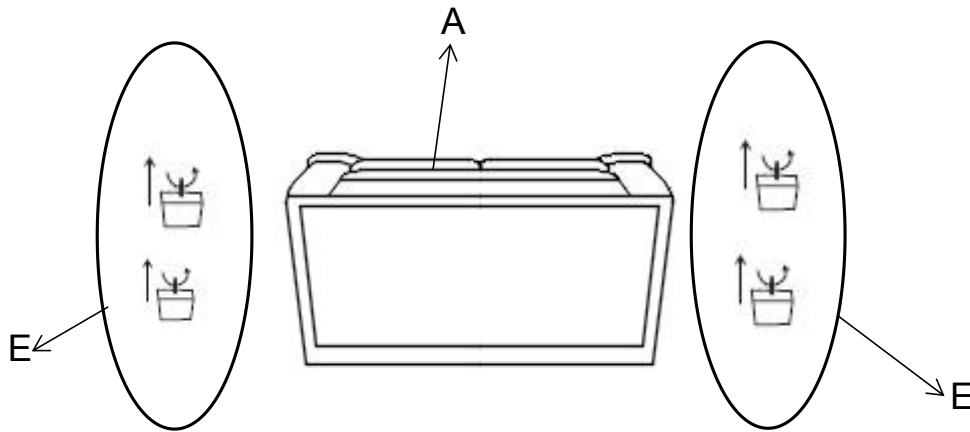
A		<b>BASE</b>	<b>1PC</b>
B		<b>BACK</b>	<b>1PC</b>
C		<b>LEFT EAR</b>	<b>1PC</b>
D		<b>RIGHT EAR</b>	<b>1PC</b>
E		<b>LEG</b>	<b>4PCS</b>

# ASSEMBLY INSTRUCTIONS

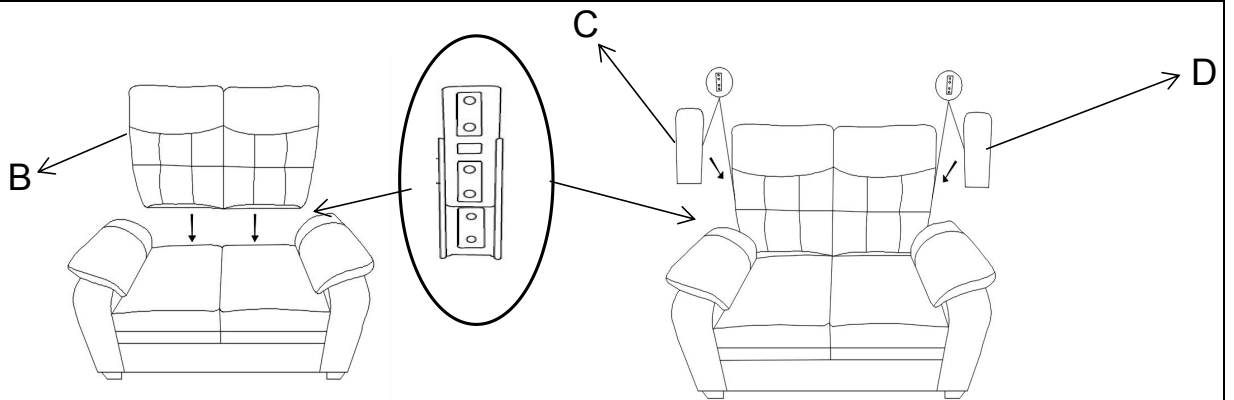
STEP 1



STEP 2



STEP 3



STEP 4

