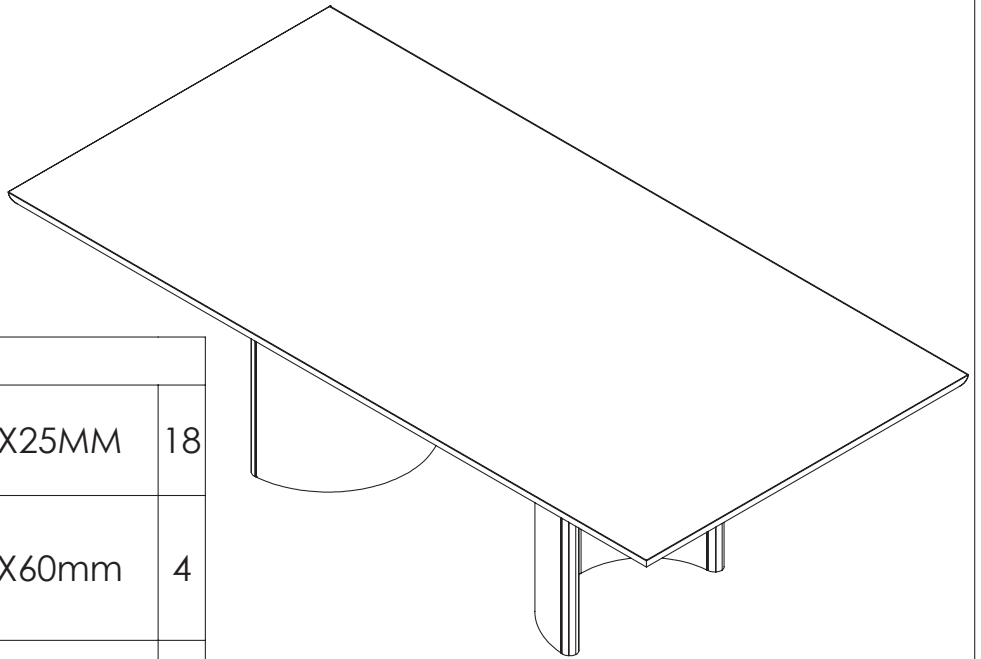




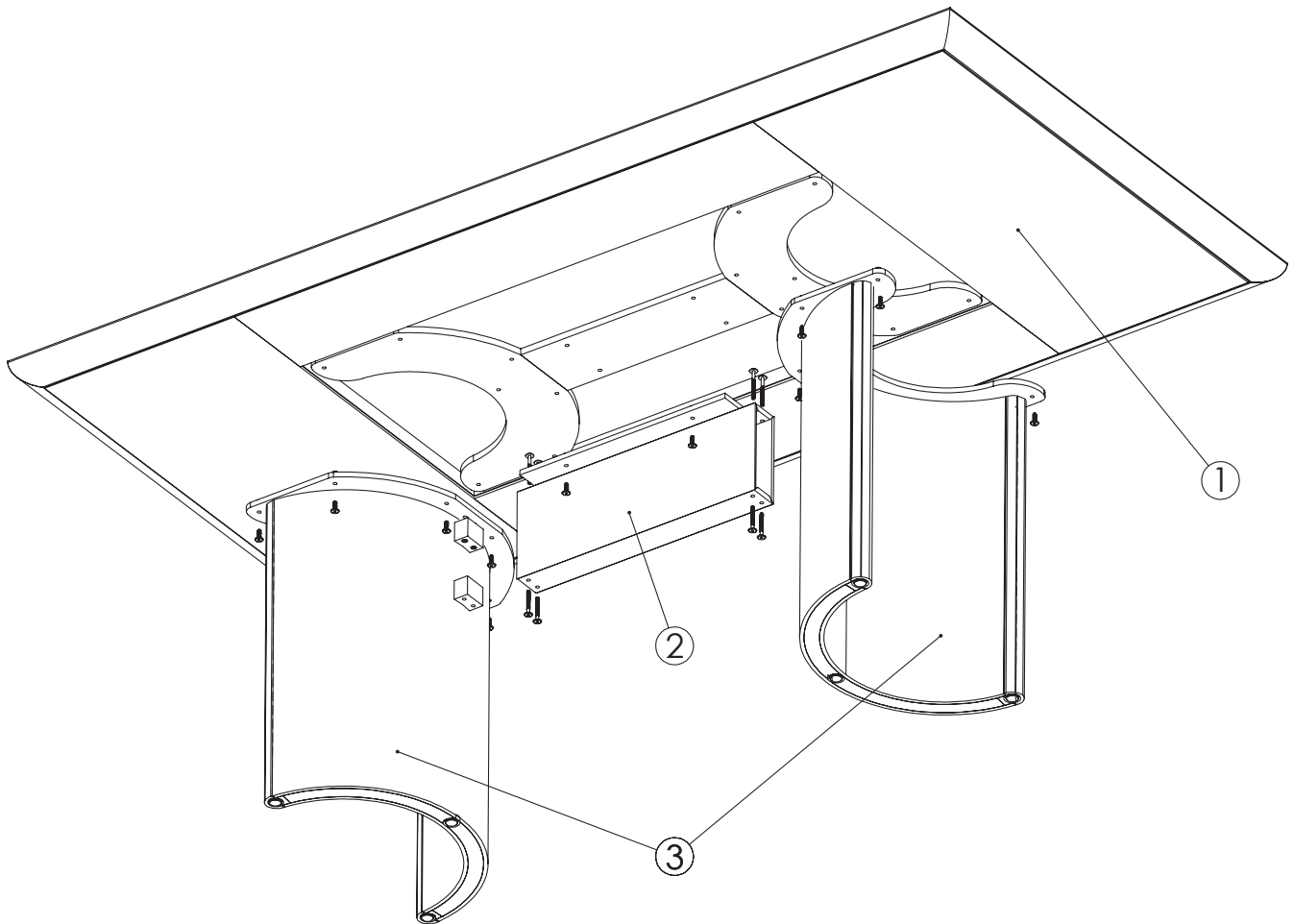


ASSEMBLY INSTRUCTION FOR CONLEY - DINNING TABLE 94"

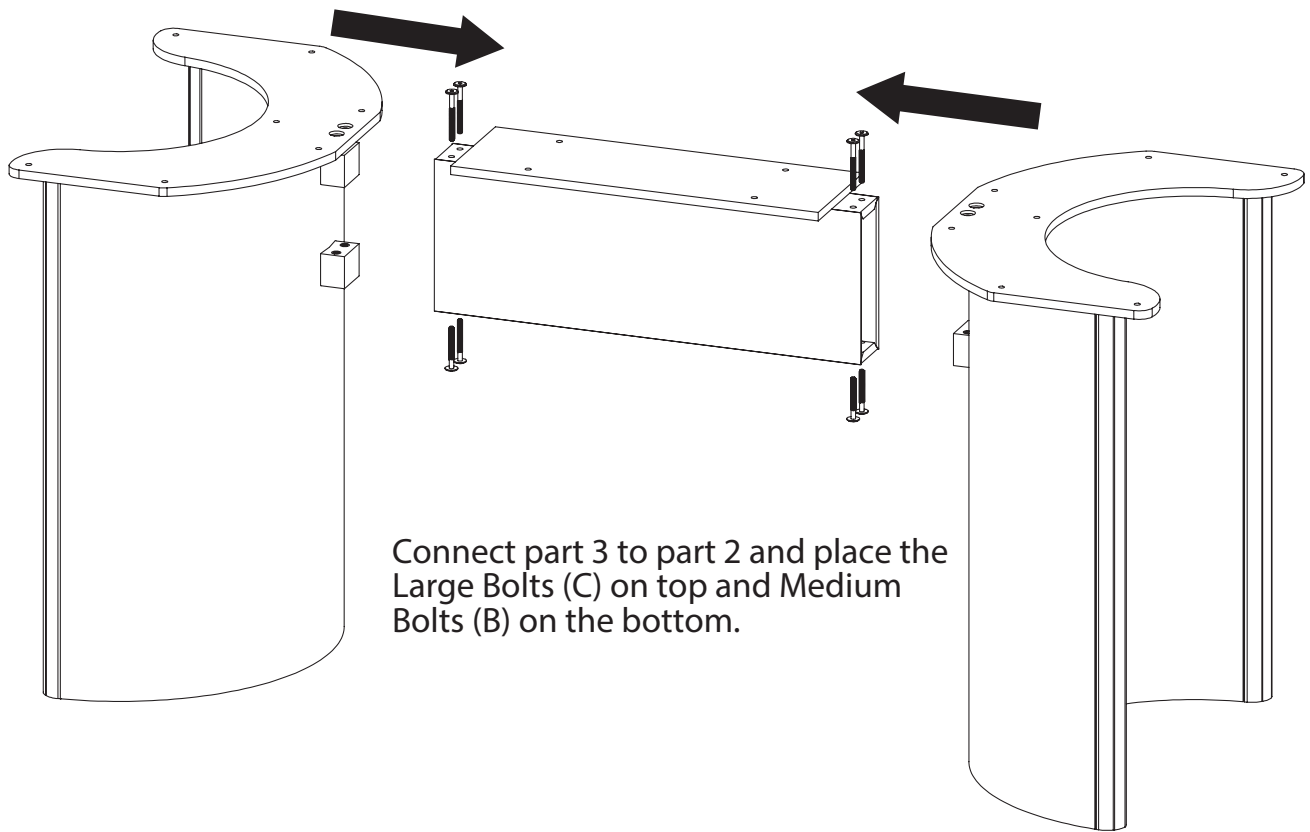


Hardware List

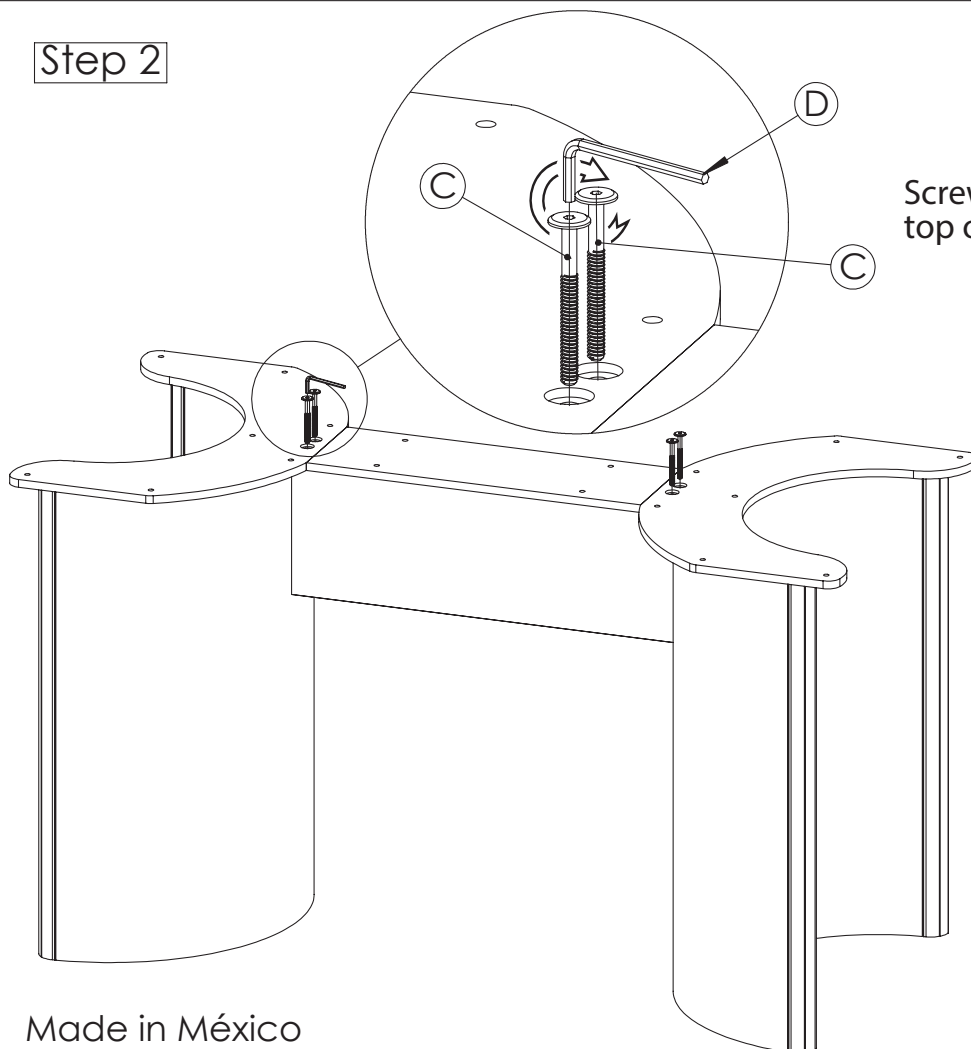
A		Bolt Small	8X25MM	18
B		Bolt Medium	8X60mm	4
C		Bolt Large	8x70 mm	4
D		Allen Key	4 mm	1



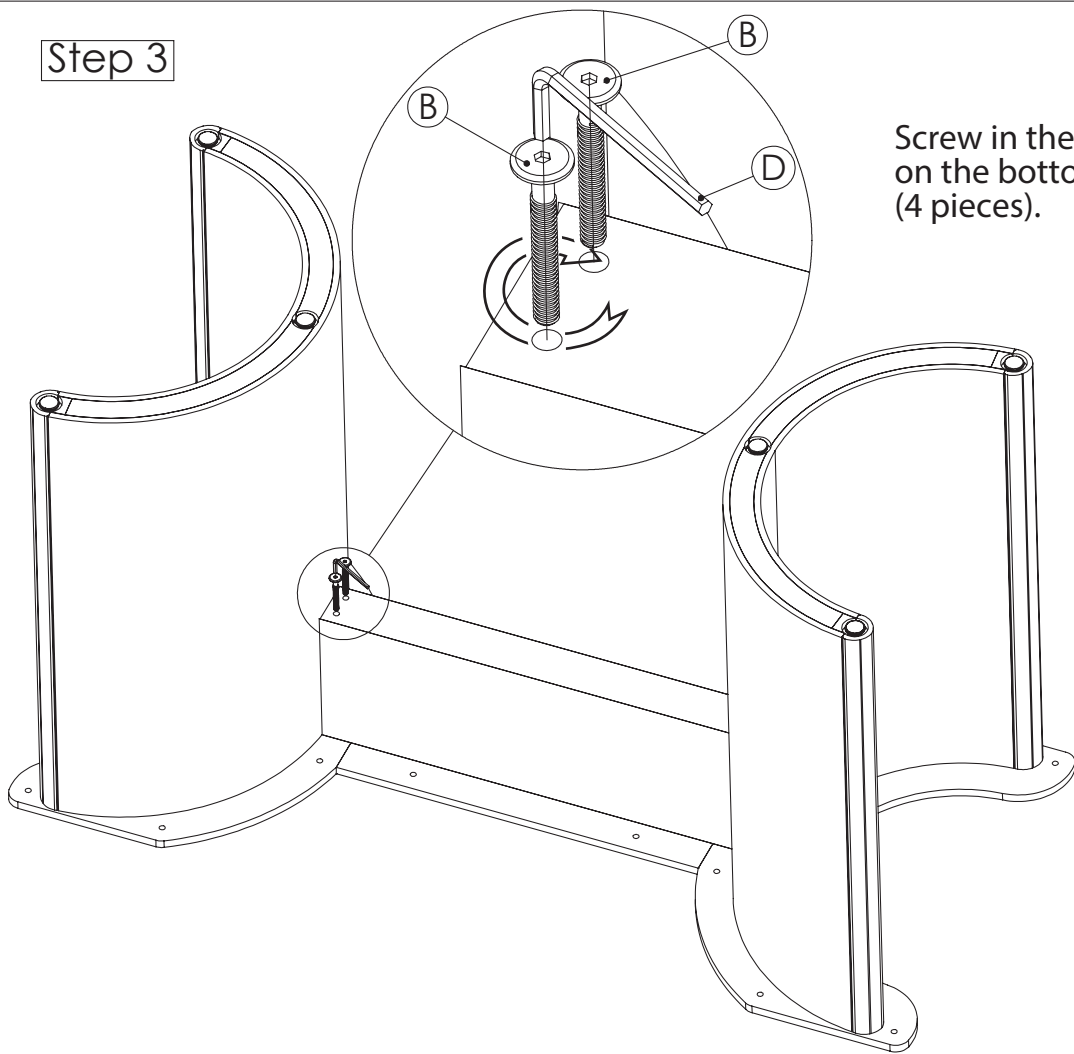
Step 1



Step 2



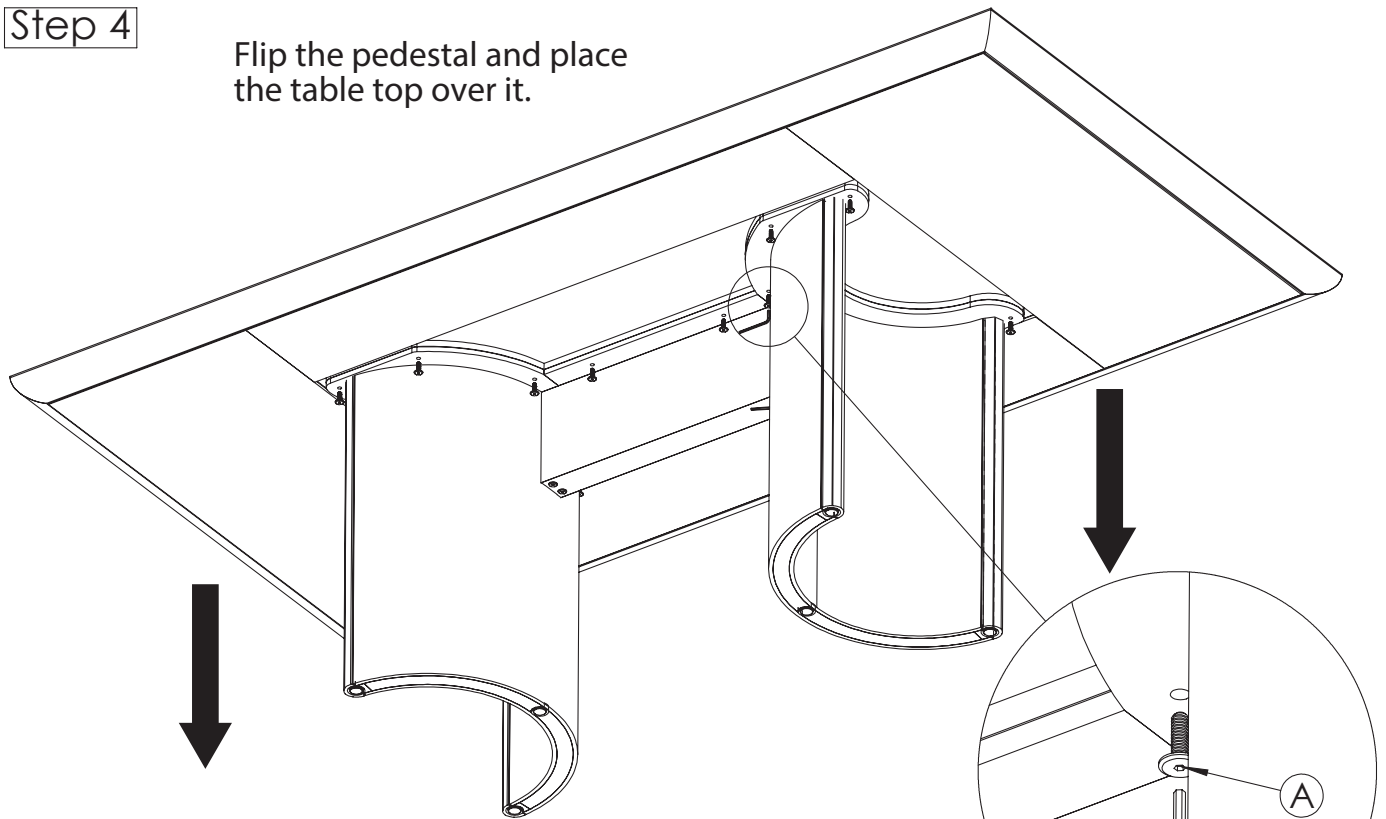
Step 3



Screw in the Medium Bolts (B) on the bottom of the pedestal (4 pieces).

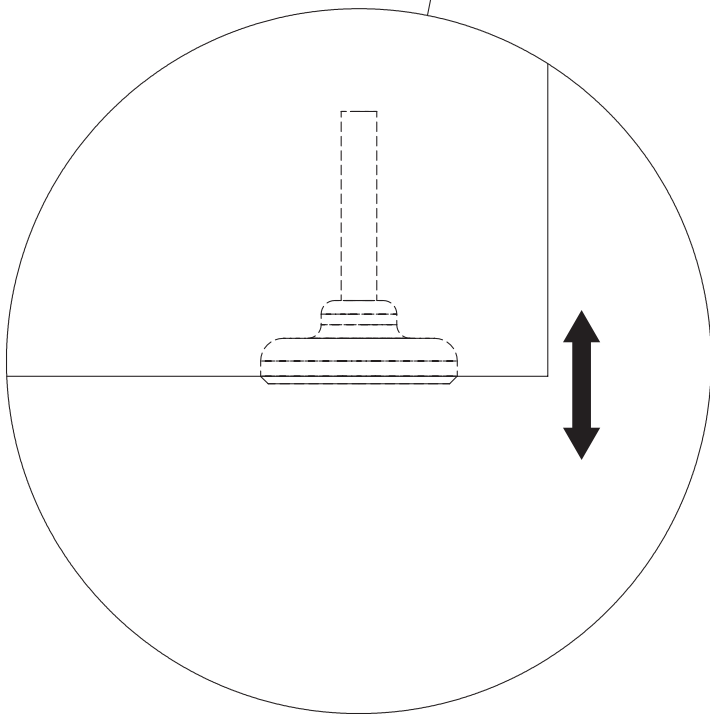
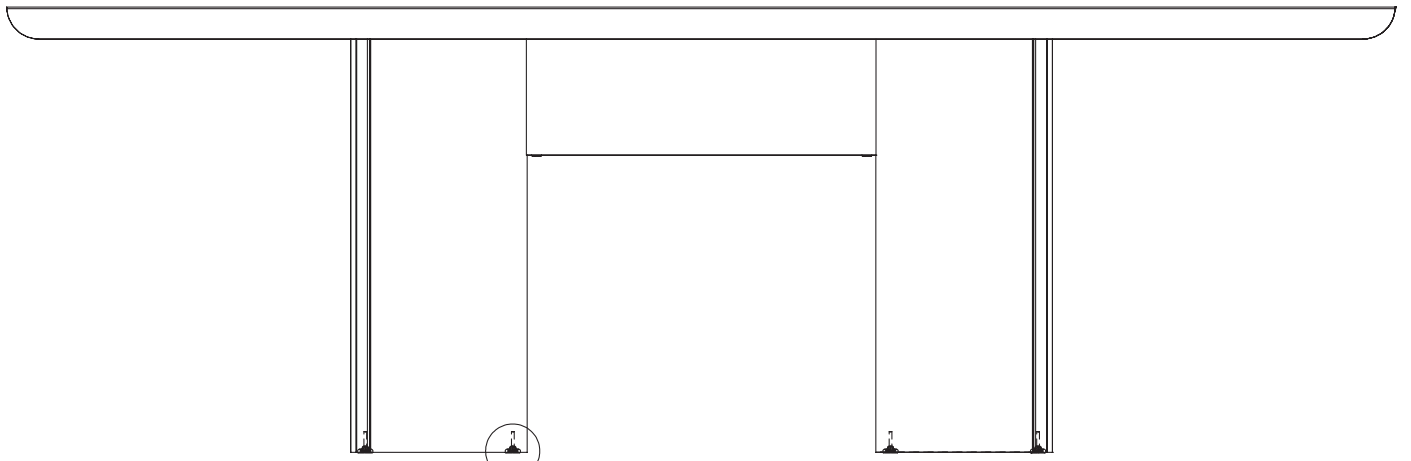
Step 4

Flip the pedestal and place the table top over it.



Join part 1 and the pedestal using the Small Bolts (18 pieces).

Step 5



Use the levelers to properly level it to the ground.