

---

**WARNING** (To reduce the risk of fire, electric shock, or injury to persons):


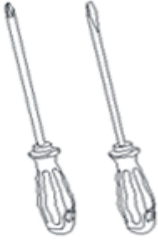



1. We suggest installation by a **licensed electrician**.
2. Please read the instruction carefully and save it as you may need it at later time.
3. Before you start, **NEVER** attempt any work without shutting off the electricity until the work is done. A). Go to the main fuse, or circuit breaker, box in your home. Place the main power switch in the **"OFF"** position. B). Place the wall switch in the **"OFF"** position.
4. Mounting surface should be clean, dry, flat, strong enough and 1/4" larger than the canopy on all side. Any gaps between the mounting surface and canopy exceeding 3/16" should be corrected as required.
5. Make sure that the ceiling or wall can stand the weight of the lamp before fixture.
6. Make sure the voltage you are using is **120V**. The maximum wattage is **40W** per bulb.
7. Keep the lamp away from acidic and basic objects in case of damaging the surface of the lamp.
8. When replacing bulb, you should turn off or unplug the lamp and you must wait until it is cool as bulbs get hot quickly.
9. The safety instructions appearing in this manual are not meant to cover all possible conditions that may occur. It must be understood that common sense, caution and care must be used with any electrical products.

**IMAGE FOR FINISHED PRODUCT:**



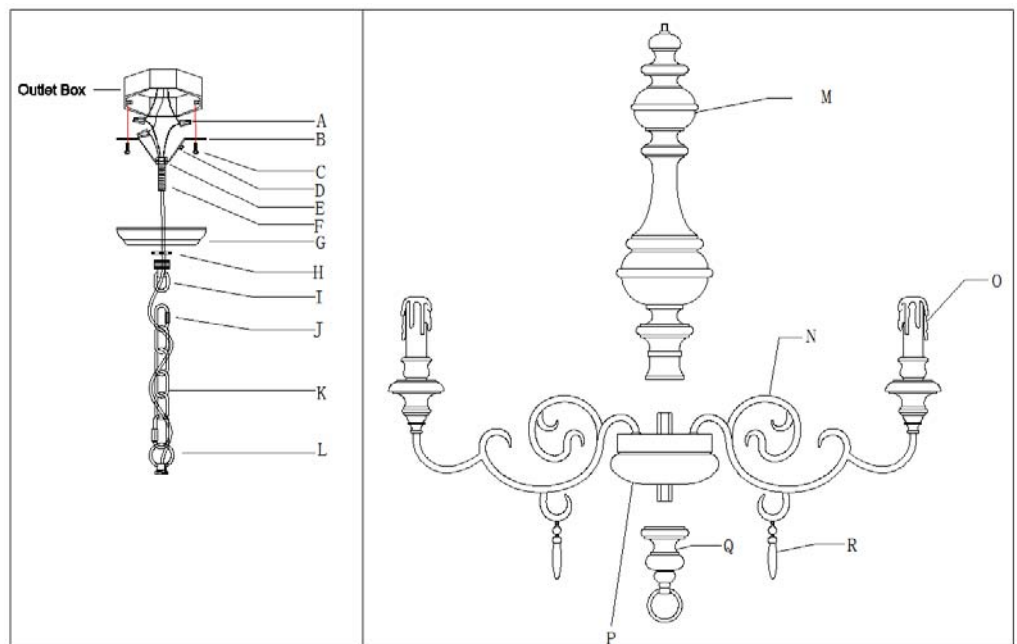
**TOOLS REQUIRED (NOT INCLUDED):**

Before doing assembly and installation please prepare the needed tools as below picture

				
Ladder	Phillips head, flat blade screwdriver	Electrical tape	Pliers	Wire cutter/Stripper

**PARTS TYPE & QTY INCLUDING:**

- (B) Single bar (1)
- (D) Green ground screw (1)
- (E) Hex nut (2)
- (F) Nipple (1)
- (G) Canopy (1)
- (H) Collar ring (1)
- (I) Collar loop (1)
- (J) Quick link (2)
- (K) Chain (1)
- (L) Loop (1)
- (M) Post (1)
- (N) Arm (6)
- (O) Candle sleeve (6)
- (P) Fixture (1)
- (Q) Trim (1)
- (R) Drop (6)



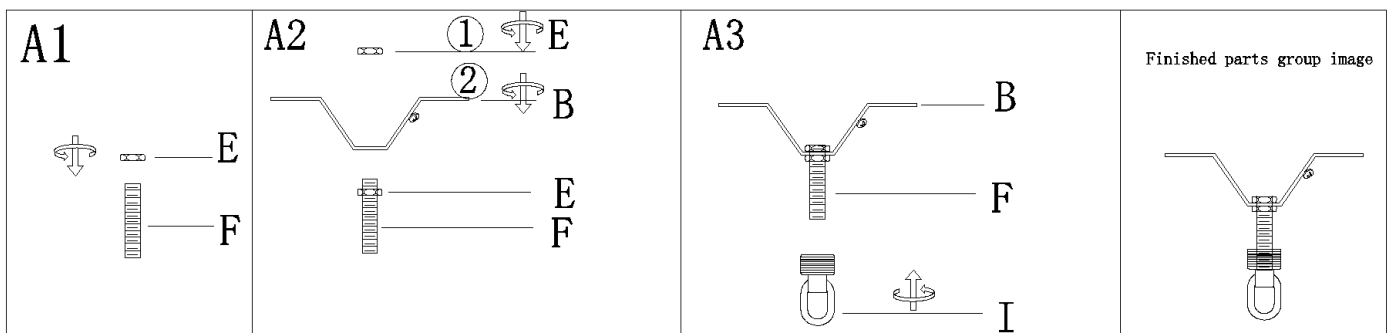
**ACCESSORIES & QTY ENCLOSED:**

- (A) Plastic wire connector (3)
- (C) Mounting screw (2)

**ASSEMBLY & INSTALLATION INSTRUCTIONS:**

1. Carefully remove the fixture from the carton and check that all parts and accessories are included as shown in the above illustration
2. Make assembly

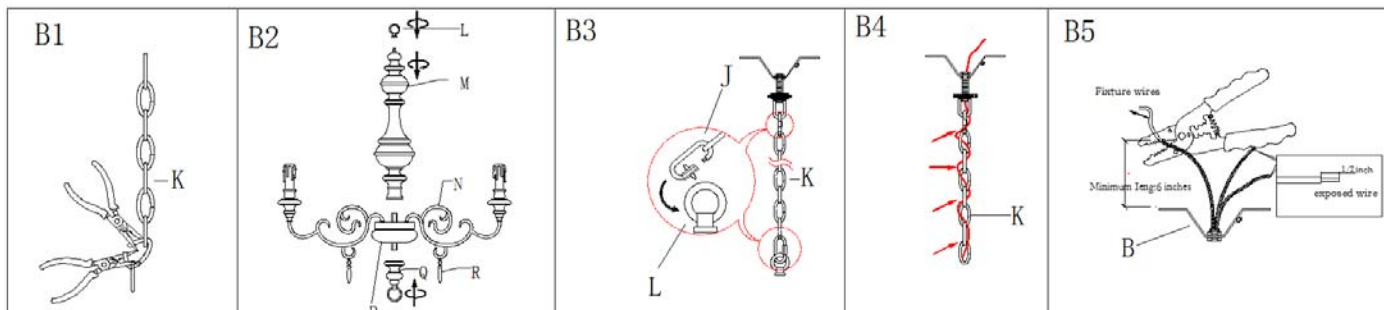
If the group of parts are not already assembled:



Step A2: Thread the single bar (B) onto nipple (F), thread another hex nut (E) onto the nipple (F), then tighten the nipple to secure single bar (B) in place. At this point need note that: the side of single bar marked "GND" must face to the down.

Step A3: Thread the collar loop (I) to the nipple (F)

### 3. Make pre-installation



Step B1: By measuring, determine the correct number of links needed for proper hanging height. Using the chain pliers, disconnect and discard the remaining chain.

Step B2: Thread the post (M) onto the threaded nipple on the top of fixture (P)  
 Thread loop (L) onto the threaded nipple on the top of post (M)  
 Thread the trim (Q) onto the threaded nipple on the bottom of fixture (P)  
 Hang the drops onto the ring at the bottom of arm (N)  
 Adjust the arms to their proper positions

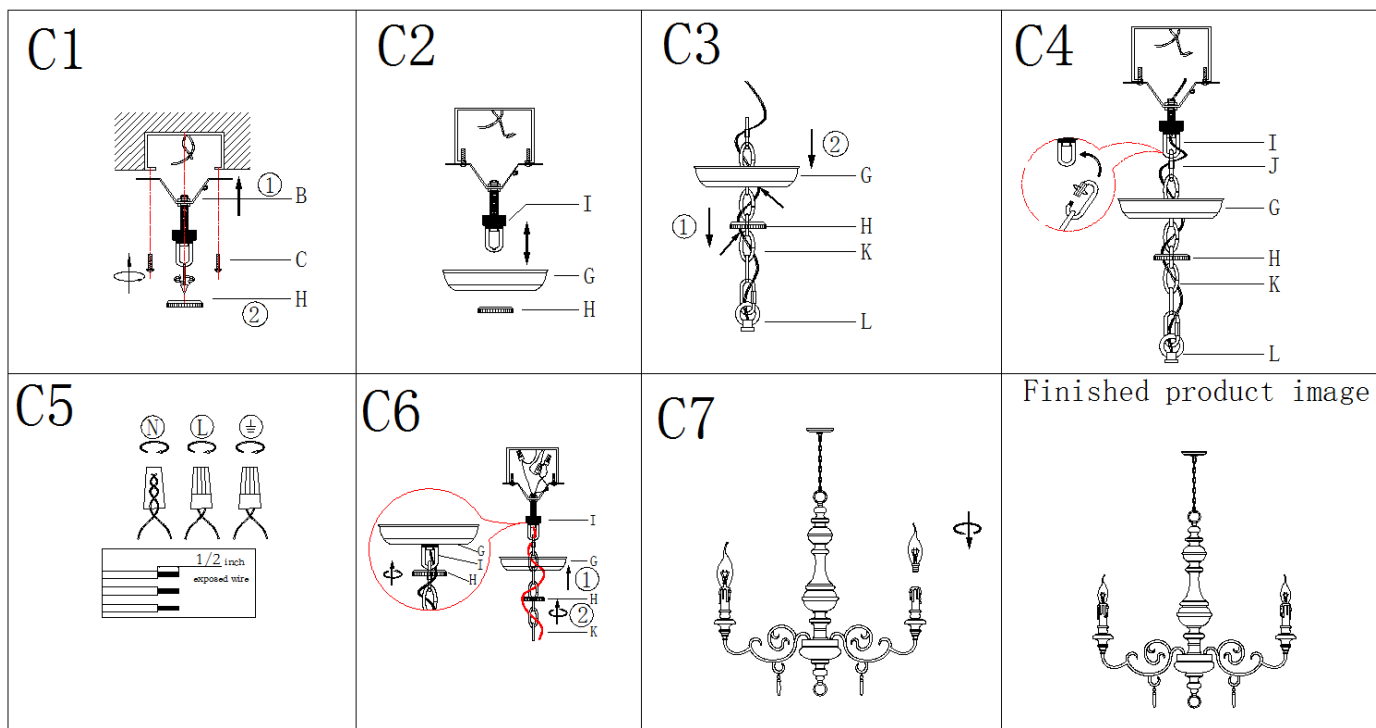
Step B3: Attach a quick link (I) to loop (L) on the top of fixture and to connect the end of chain (K).  
 Attach another quick link (I) to connect the chain (K) and collar loop (I)

Step B4: Carefully lace wires through chain (K), collar loop (I) to the top of nipple (F)

Step B5: If needed, cut off the wires length of fixture. At this point, need take note of wires length should be at least 6 inches (152.4 mm) long within the outlet box.

### 4. Turn off power

### 5. Make installation



Step C1: Attach single bar (B) to outlet box with mounting screw (C). The side of single bar marked "GND" must face out.  
Then unscrew collar ring (H) from collar loop(I)

Step C2: Raise the canopy (G) through collar loop (I) and thread the collar loop (H) to a proper position by measuring .  
Unscrew collar ring ( H ) from collar loop(I) and remove the canopy(G).In this way, you would know the proper position on which collar loop it should be located .

Step C3: Slip threaded ring(H) over the chain(K)and wires,then do the same with the canopy(G)

Step C4: Open the quick link (J)then attach to the screw collar loop(H). Close the quick link(J).

Pass the wires through screw collar loop(H) to the top of nipple(E)

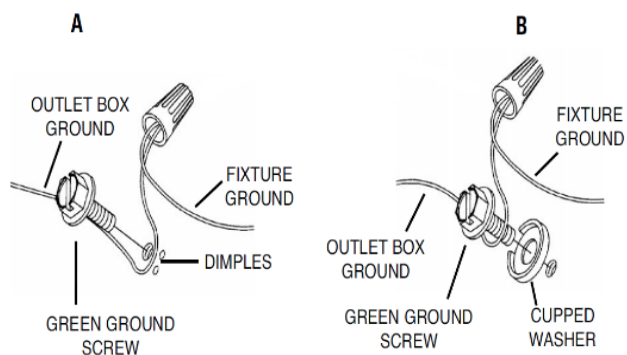
Step C5: Make wire connections

Connect wires as below wires connecting shown. **TAKE NOTE OF YOUR COLOR OF FIXTURE ,NEVER CONNECT**

**WIRES TO GROUND WIRES**

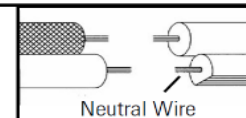
**Connect ground wire according to below chart**

**Connect wires according to below chart**



Connect Black or Red Supply Wire to:	Connect White Supply Wire to:
Black	White
*Parallel cord (round & smooth)	*Parallel cord (square & ridged)
Clear, Brown, Gold or Black without tracer	Clear, Brown, Gold or Black with tracer
Insulated wire (other than green) with copper conductor	Insulated wire (other than green) with silver conductor

\*Note: When parallel wires (SPT I & SPT II) are used. The neutral wire is square shaped or ridged and the other wire will be round in shape or smooth (see illus.)



Twist plastic wire connector(A) until wires are tightly joined together,wrap each connector with approved electrical tape for more secure connection and carefully stuff all wires into the outlet box .

Step C6: Raise canopy (G) to ceiling and secure canopy (G) in place by tightening threaded ring (H) onto collar loop(I)

Step C7: Install bulb (Not included. Please do not exceed the maximum capacity recommended on the socket.)

**5. Check everything installed properly, then you could turn on the light.**

**CLEANING**

To clean, wipe fixture with a soft cloth. Do not use abrasive materials such as scouring pads or powders, steel wool or abrasive paper.

**ORDERING PARTS**

Keep this sheet for future reference, and in case you need to order replacement parts. All parts for this fixture can be ordered from place of purchase. Be sure to use exact wording from illustration when ordering parts.