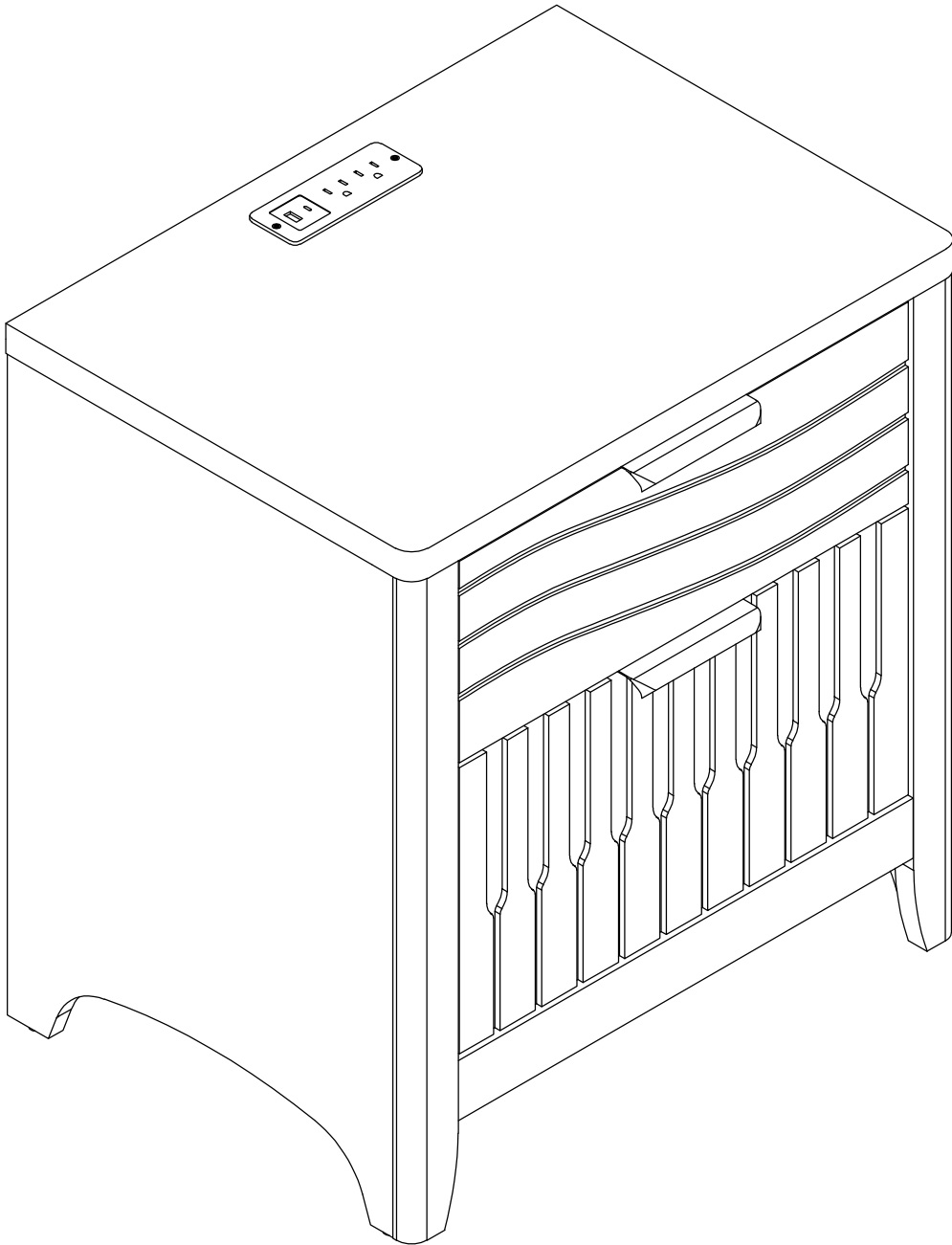


USER MANUAL

Thank you for choosing us.



General Guidelines

- Please read the following instruction carefully and use the product accordingly.
- Please keep this manual and hand it over when you transfer the product.
- This summary may not include every detail of all variations and considered steps.
- Please contact us when further information and help are needed.

Notes

- The product is intended for indoor use only. The product must be assembled and used in accordance with the provisions of the manual. Personal injury and/or damage to product may occur if products are used outside of their intended purposes and/or if products have been changed/modified from their original design. The seller does not assume any responsibility or liability with respect to any injury/damage caused by incorrect assembly or improper use.
- Avoid long-term exposure to humid environments to prevent mildew.
- Keep the product away from fire sources and high temperatures. Do not expose the product to direct sunlight.
- Do not place any hot objects on the surface of the product.
- If there are any defective or missing parts after unpacking, please cease assembly immediately and contact us.
- Please assemble the item on a spacious surface and do not place the unwrapped product directly on the ground to avoid product damage.
- Please do not stand or sit on the wooden boards.
- Please wear gloves during the assembly and/or disassembly process to avoid scratches from any sharp edges.
- Please match the corresponding part and fitting based on the part number in the manual.
- If the part does not match with the fitting, please check the piece as specified in this manual.
- During assembly, first loosely align all screws with the corresponding pre-drilled holes and then tighten the screws one by one.
- Periodically inspect screw tightness while the product is in use. If necessary, retighten to ensure structural integrity.
- If you accidentally spill water or another liquid on the surface, immediately wipe clean with a dry towel.
- Please keep the product away from sharp, pointed objects and corrosive substances to prevent product damage.
- Please place this item on level, solid ground during use.

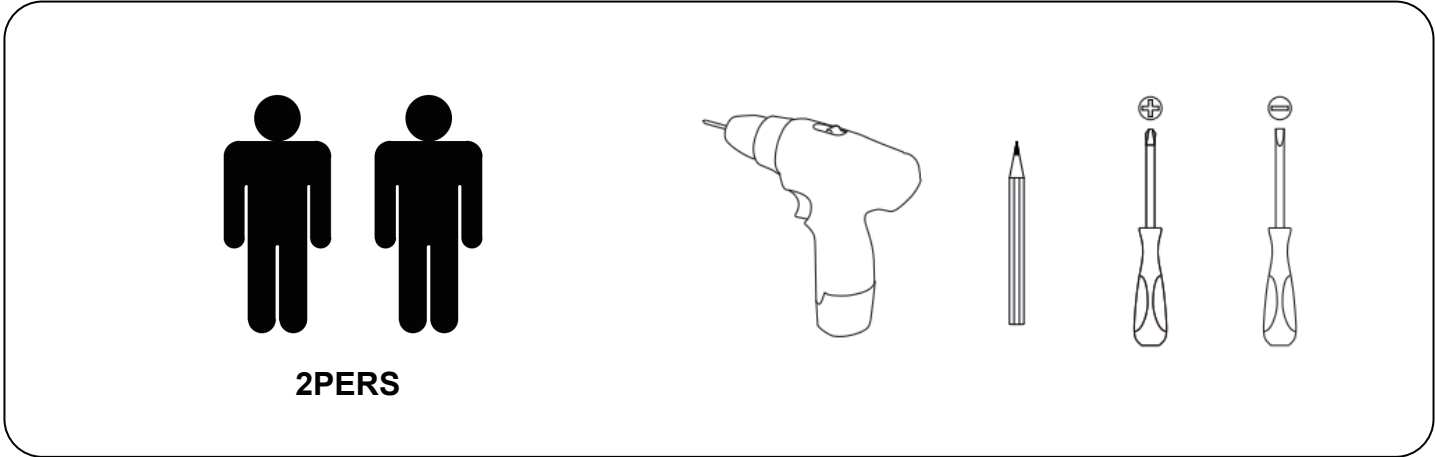
Warnings

- Children are not allowed to assemble the product. During assembly, keep all small parts out of the reach of children as they may be fatal if swallowed or inhaled.
- Children are forbidden to climb or play on the product to avoid serious bodily injury caused by the toppling.
- Keep plastic packing bags out of reach of children to avoid any potential danger, such as suffocation.
- We have equipped some high-sized products with anti-dumping accessories. Please fix the product to the wall to prevent personal injury caused by accidental dumping.

Tips-contact us

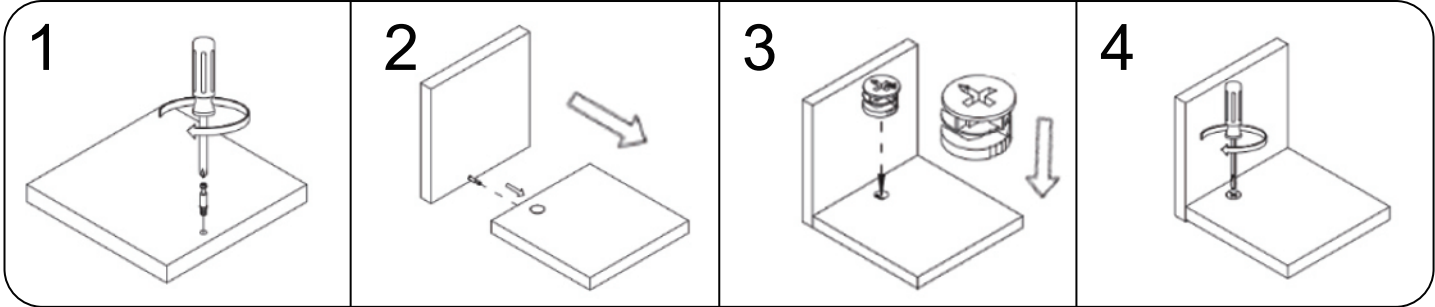
- If there is any damage after unpacking or you have any questions during assembly, please feel free to contact us at your earliest convenience. Our customer care team provides professional returns or exchanges as well as assembly guidance.

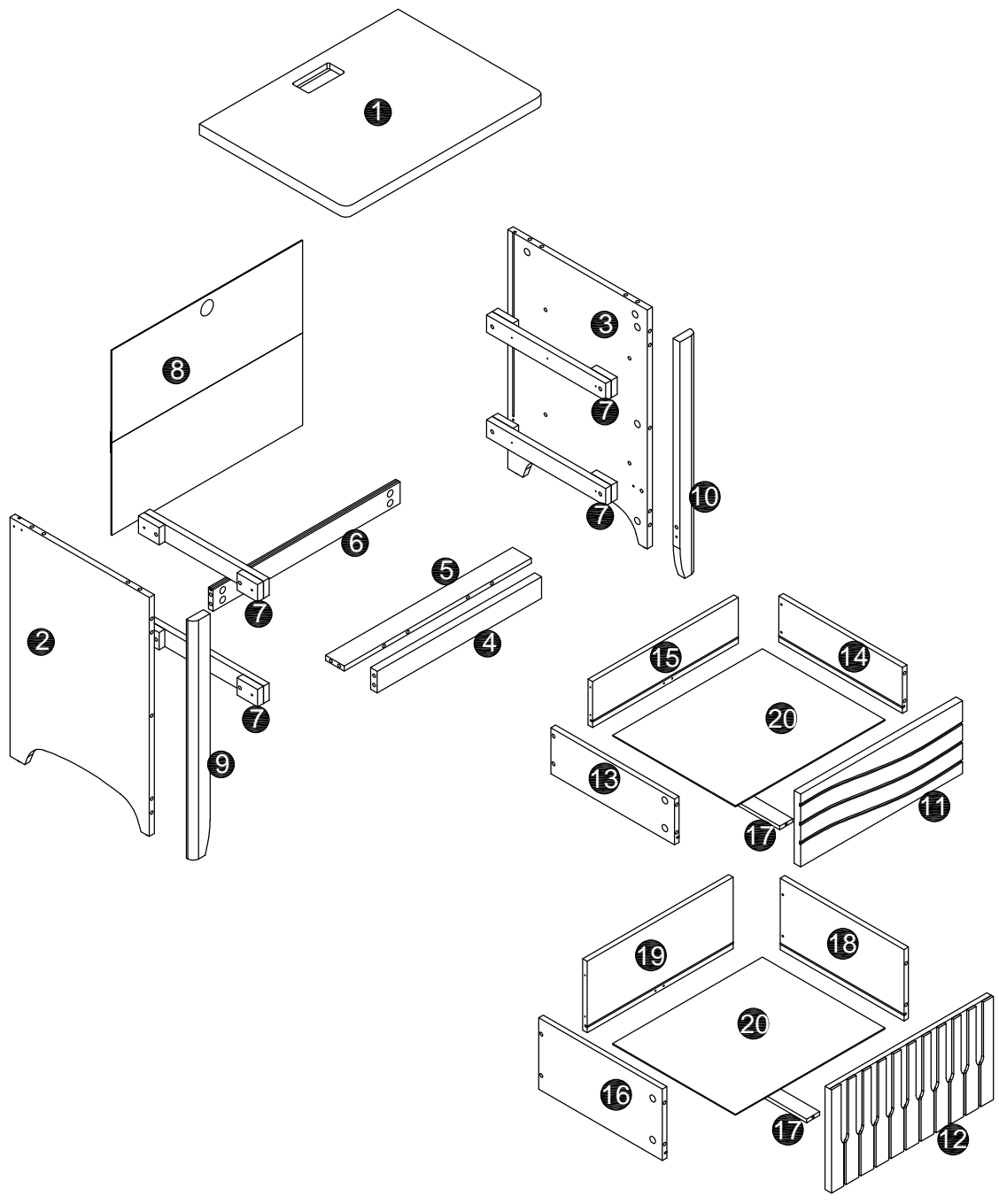
Required



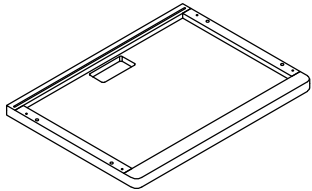
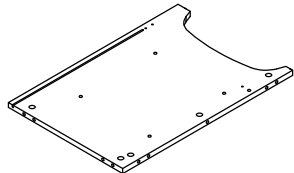
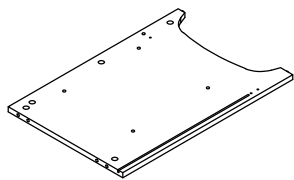
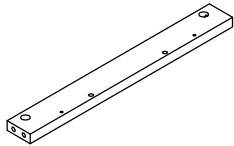
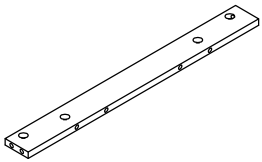
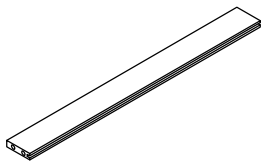
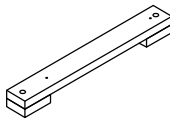
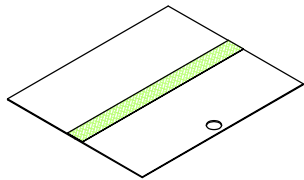
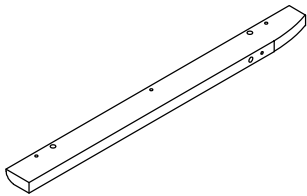
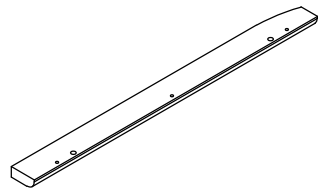
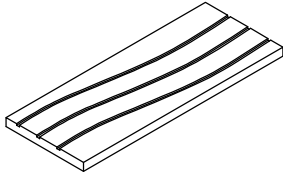
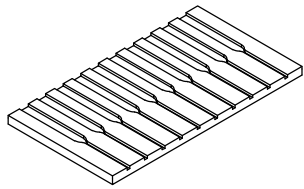
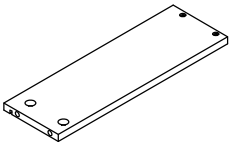
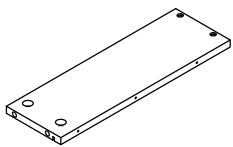
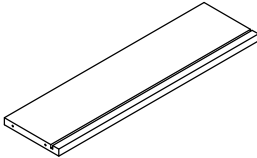
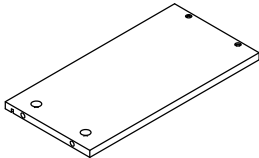
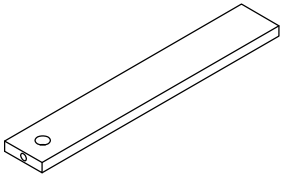
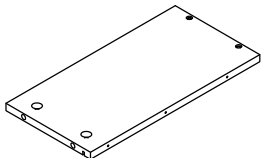
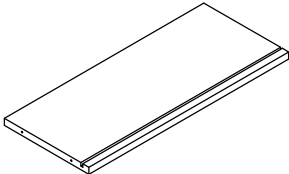
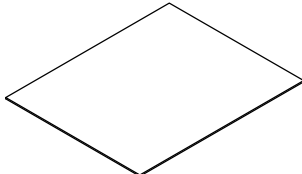
Cam Lock Fastening System

Insert the cam bolt into the hole first, then insert the cam lock and lock it.


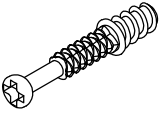
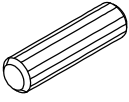
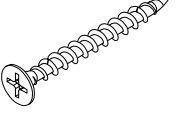
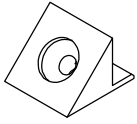
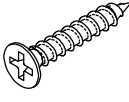
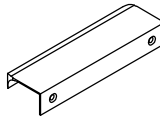
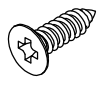
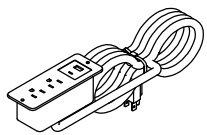
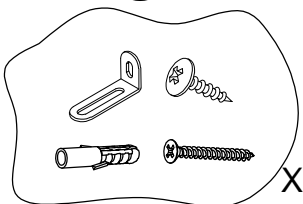
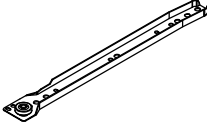
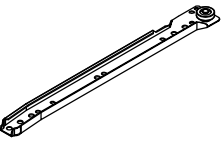
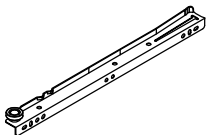
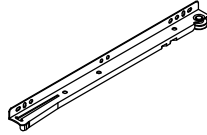
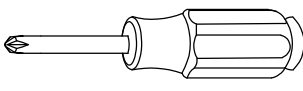




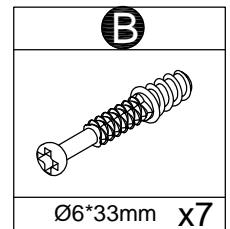
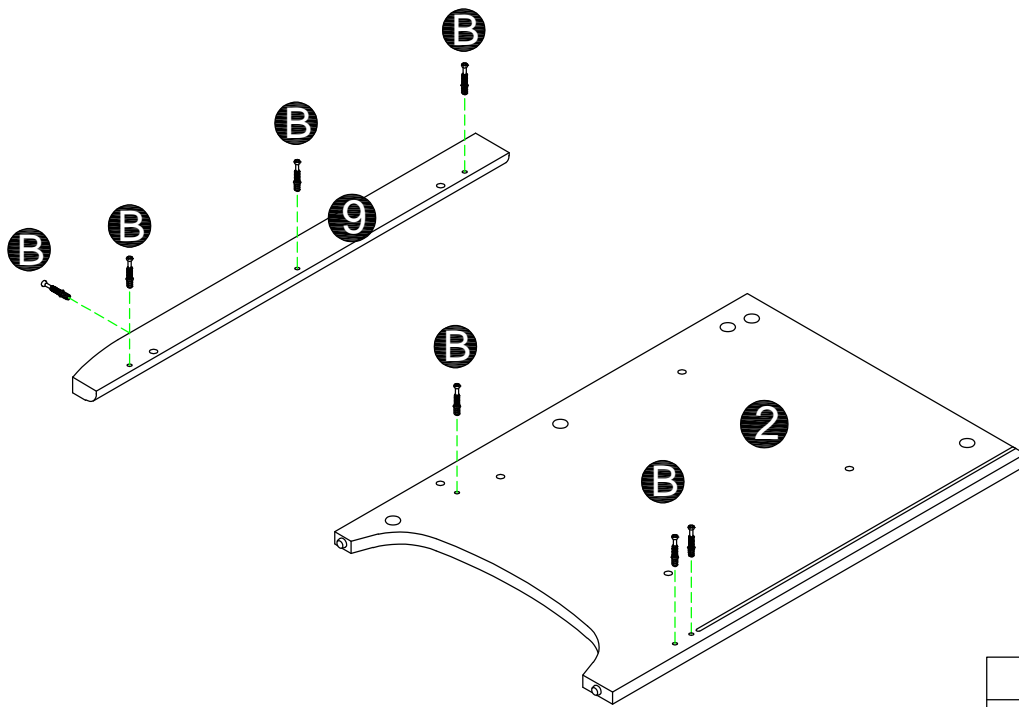
Part List

<p>❶ 530*390*24mm</p>  <p>X1</p>	<p>❷ 552*371*14mm</p>  <p>X1</p>	<p>❸ 552*371*14mm</p>  <p>X1</p>	<p>❹ 438*50*18mm</p>  <p>X1</p>
<p>❺ 500*50*12mm</p>  <p>X1</p>	<p>❻ 500*50*12mm</p>  <p>X1</p>	<p>❼ 318*40*30mm</p>  <p>X4</p>	<p>❽ 509*427*3mm</p>  <p>X1</p>
<p>❾ 552*45*18mm</p>  <p>X1</p>	<p>❿ 552*45*18mm</p>  <p>X1</p>	<p>⓫ 432*168*14mm</p>  <p>X1</p>	<p>⓬ 432*238*14mm</p>  <p>X1</p>
<p>⓭ 330*106*12mm</p>  <p>X1</p>	<p>⓮ 330*106*12mm</p>  <p>X1</p>	<p>⓯ 389*106*12mm</p>  <p>X1</p>	<p>⓰ 330*145*12mm</p>  <p>X1</p>
<p>⓱ 317*50*12mm</p>  <p>X2</p>	<p>⓲ 330*145*12mm</p>  <p>X1</p>	<p>⓳ 389*145*112mm</p>  <p>X1</p>	<p>⓴ 399*327*3mm</p>  <p>X2</p>

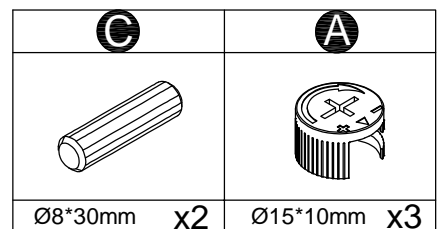
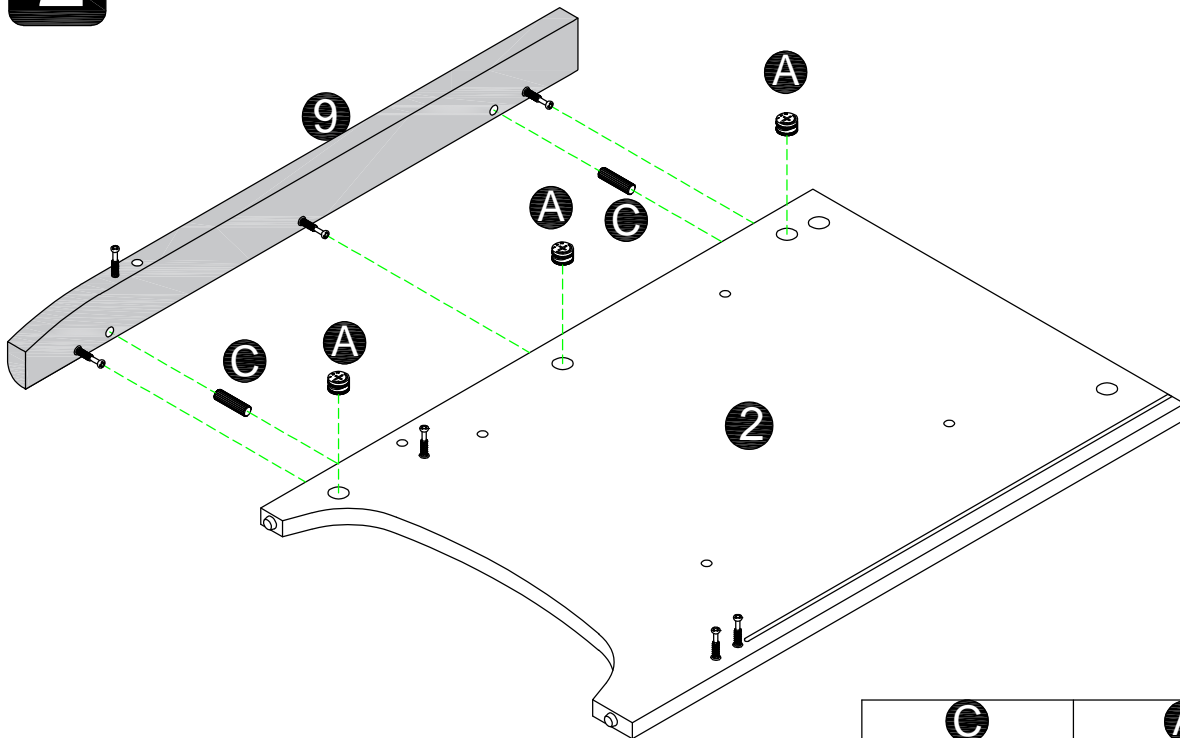
Components Sheet

<p style="text-align: center;">A</p>  <p style="text-align: center;">Ø15*10mm X30</p>	<p style="text-align: center;">B</p>  <p style="text-align: center;">Ø6*33mm X30</p>	<p style="text-align: center;">C</p>  <p style="text-align: center;">Ø8*30mm X22</p>	<p style="text-align: center;">D</p>  <p style="text-align: center;">Ø4*38mm X20</p>
<p style="text-align: center;">E</p>  <p style="text-align: center;">15*13.5*10mm X6</p>	<p style="text-align: center;">F</p>  <p style="text-align: center;">Ø3*17mm X6</p>	<p style="text-align: center;">G</p>  <p style="text-align: center;">120*38*14mm X2</p>	<p style="text-align: center;">H</p>  <p style="text-align: center;">Ø3.5*12mm X26</p>
<p style="text-align: center;">L</p>  <p style="text-align: center;">125*47*45mm X1</p>	<p style="text-align: center;">K</p>  <p style="text-align: center;">X1</p>	<p style="text-align: center;">CL</p>  <p style="text-align: center;">300*35*10mm X2</p>	<p style="text-align: center;">CR</p>  <p style="text-align: center;">300*35*10mm X2</p>
<p style="text-align: center;">DL</p>  <p style="text-align: center;">300*21*21mm X2</p>	<p style="text-align: center;">DR</p>  <p style="text-align: center;">300*21*21mm X2</p>	<p style="text-align: center;">X1</p> 	

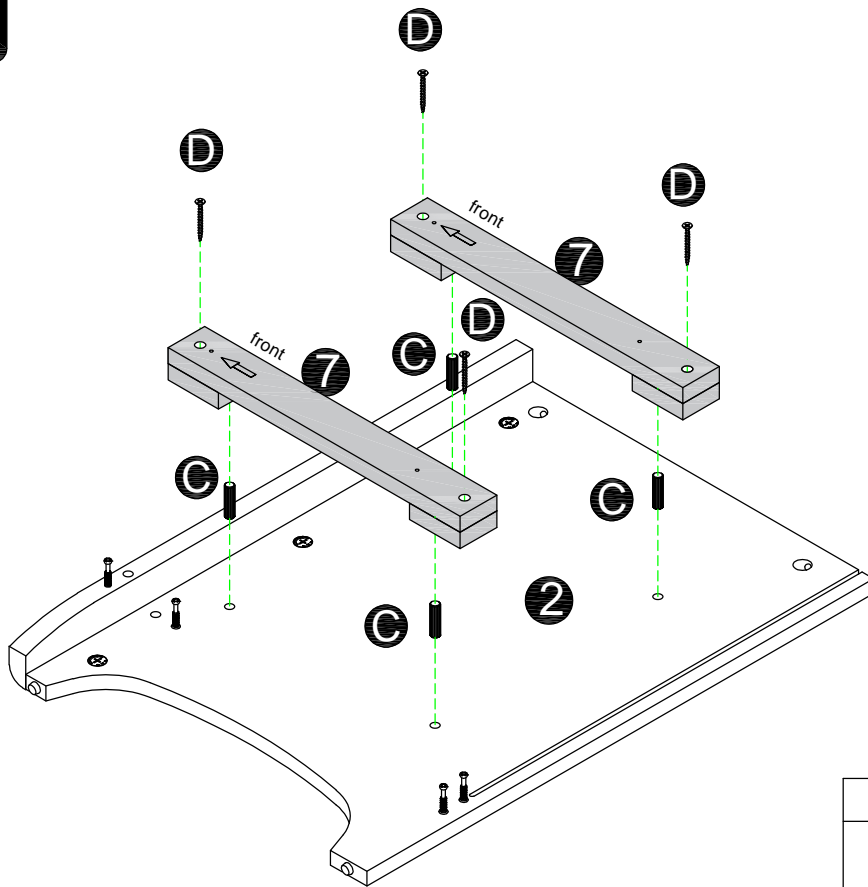
1



2

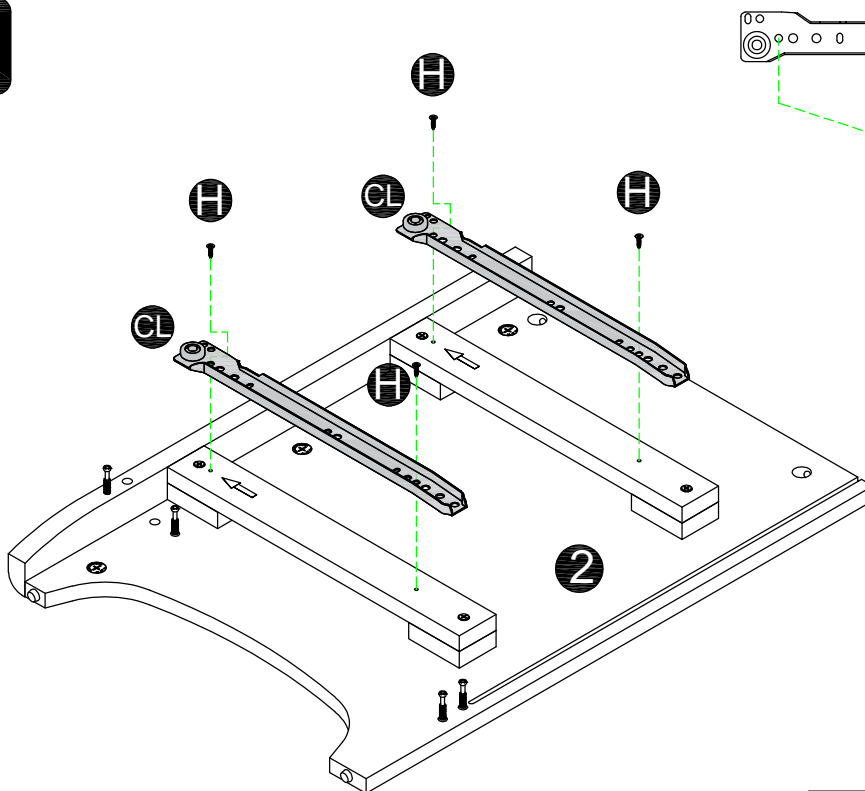


3



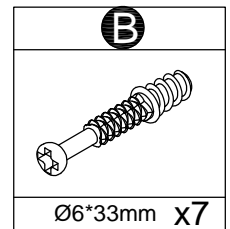
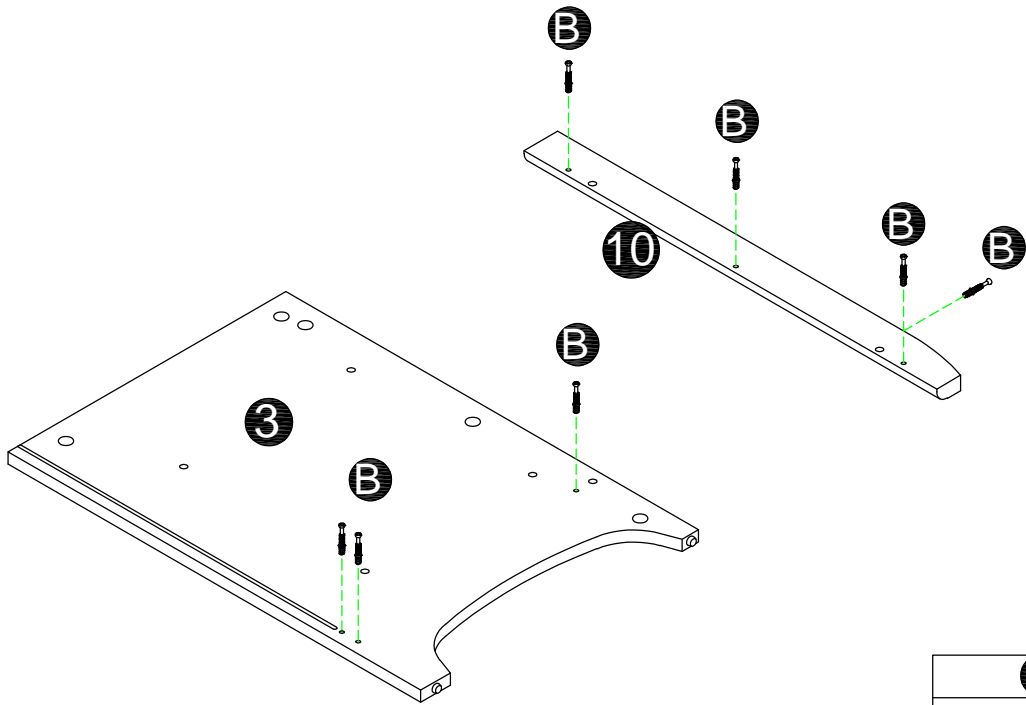
C	D
Ø8*30mm x4	Ø4*38mm x4

4

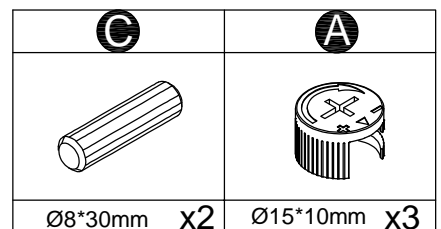
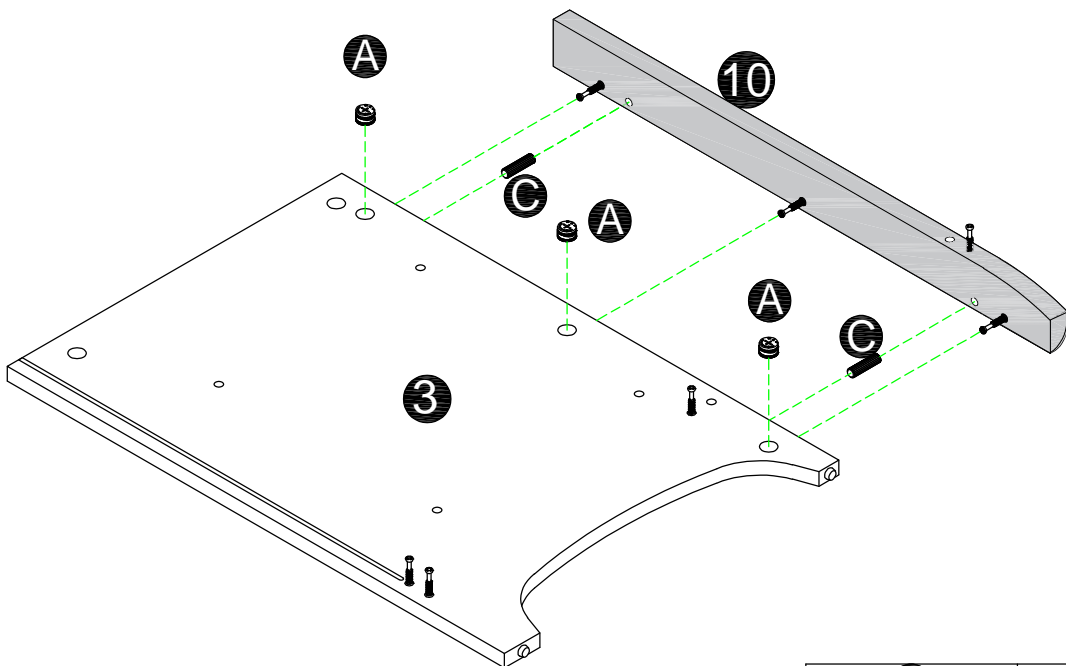


H	CL
Ø3.5*12mm x4	300*35*10mmX2

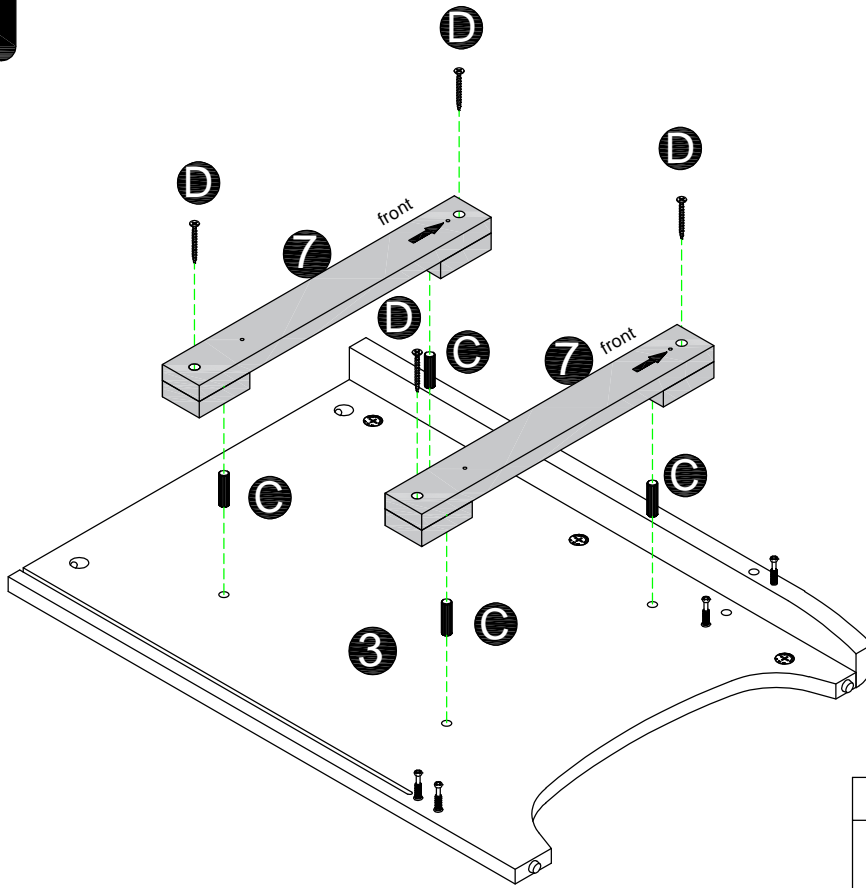
5

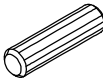
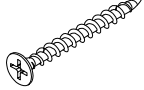


6

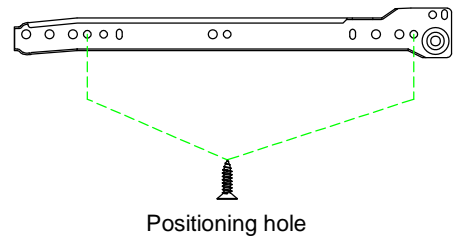
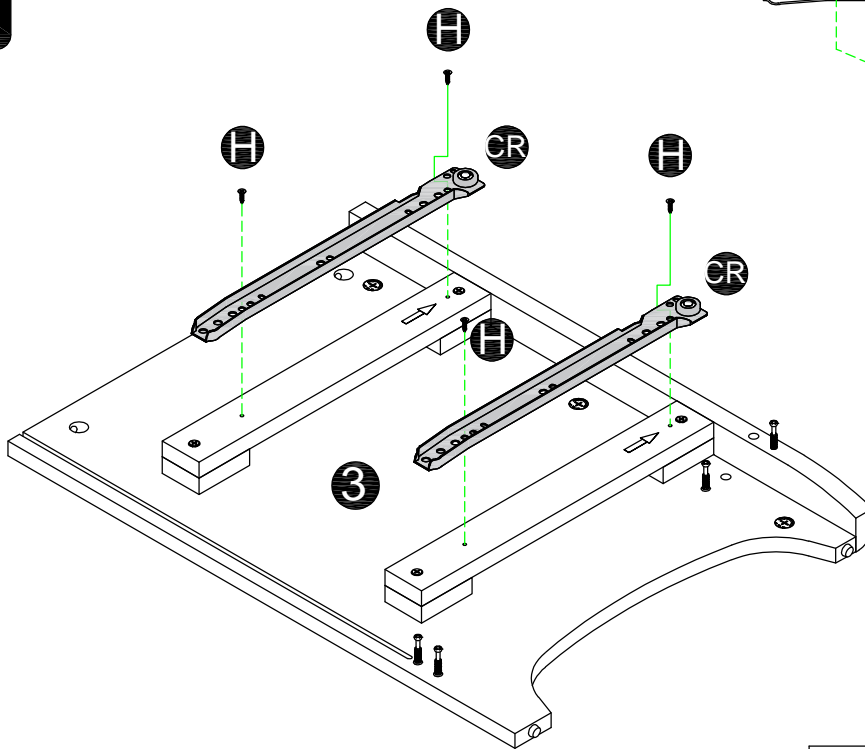


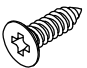
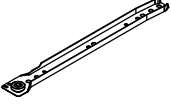
7



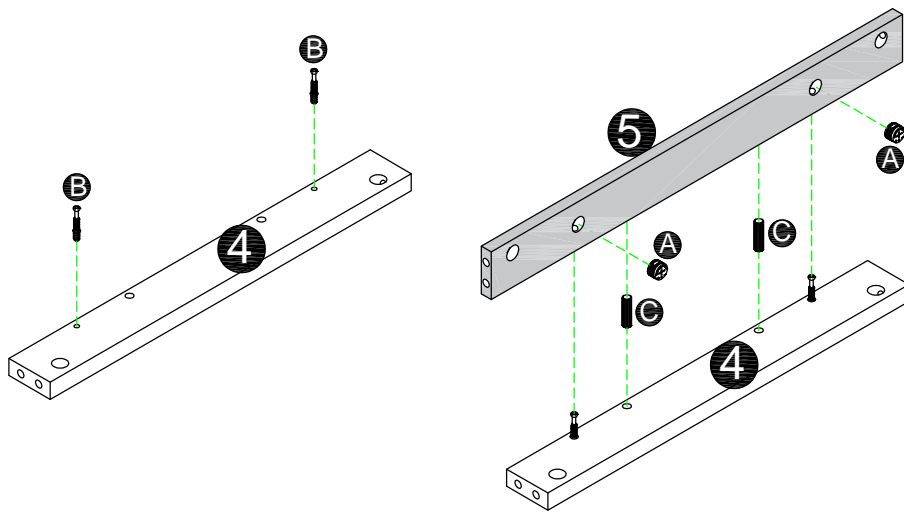
G	D
	
Ø8*30mm x4	Ø4*38mm x4


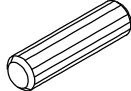
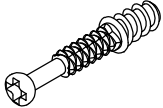
8



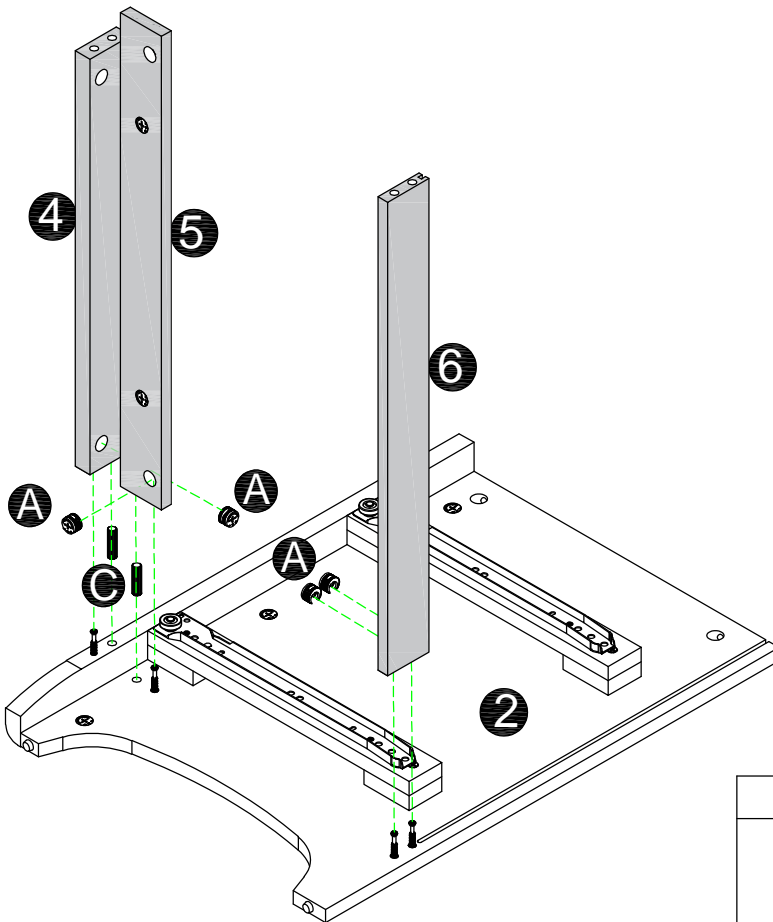
H	CR
	
Ø3.5*12mm x4	300*35*10mm X2

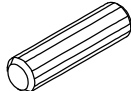

9



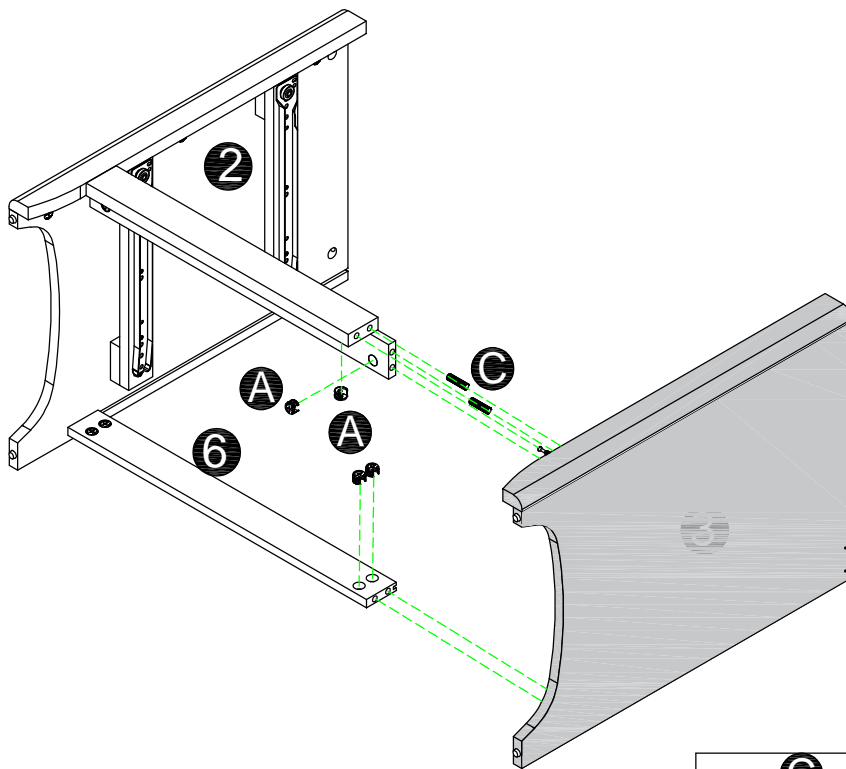
A	C	B
		
Ø15*10mm x2	Ø8*30mm x2	Ø6*33mm x2

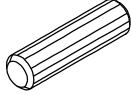

10



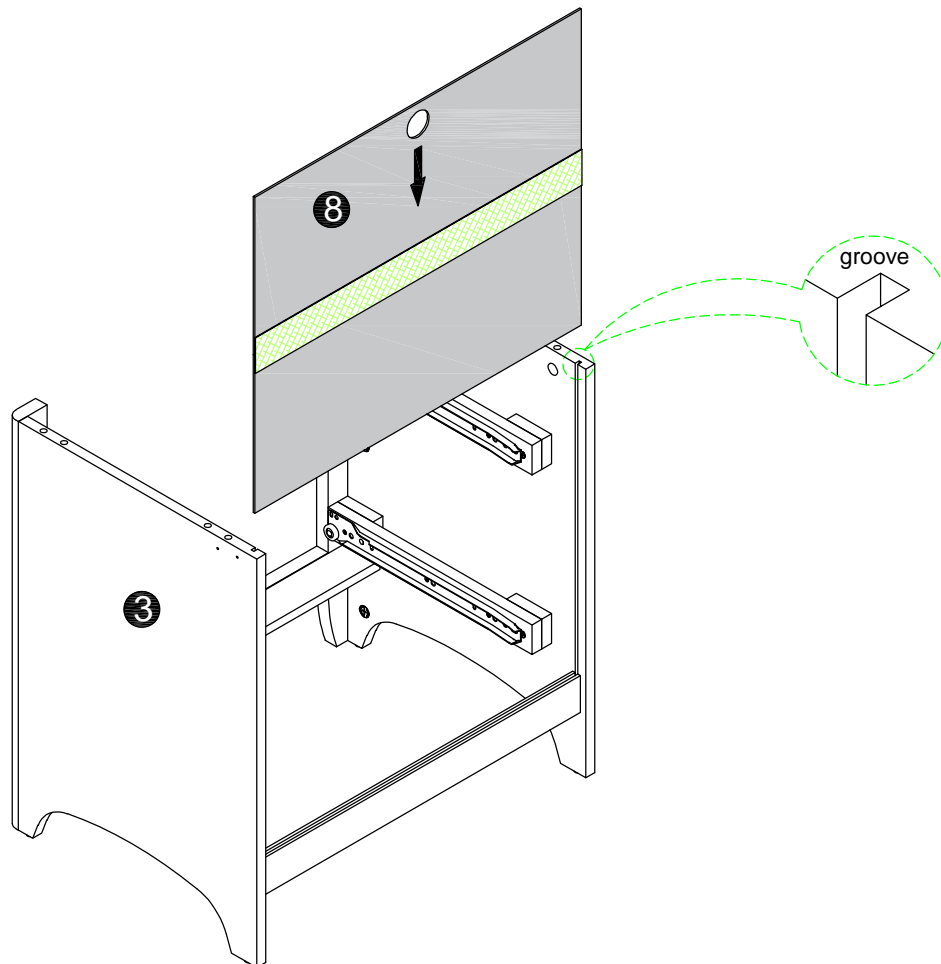
C	A
	
Ø8*30mm x2	Ø15*10mm x4

11

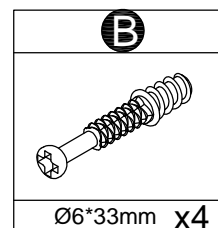
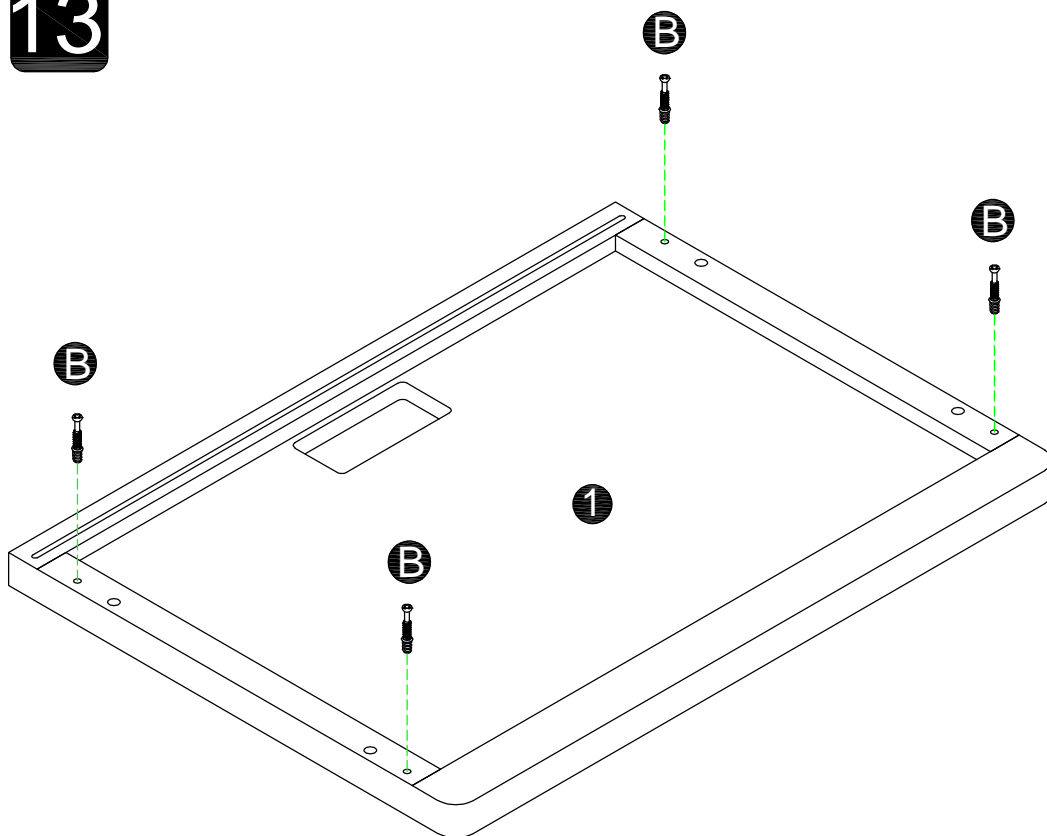


C	A
	
Ø8*30mm x2	Ø15*10mm x4

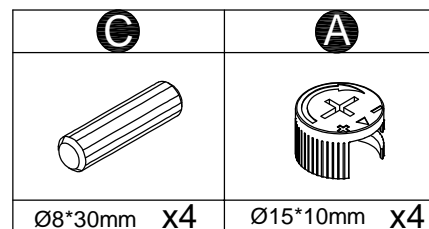
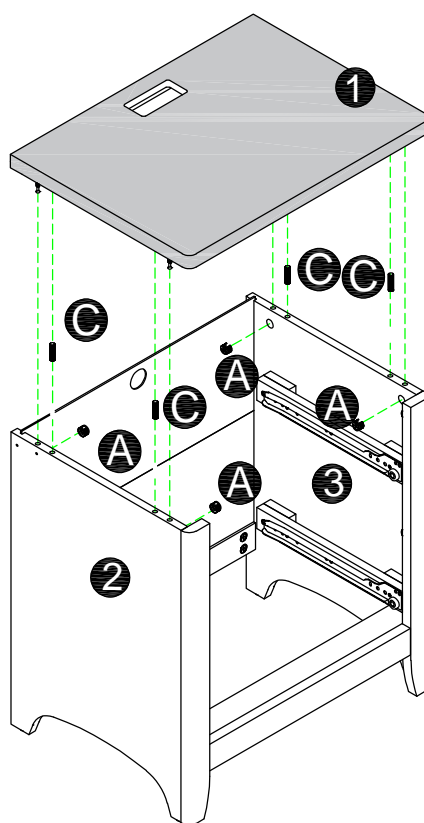
12



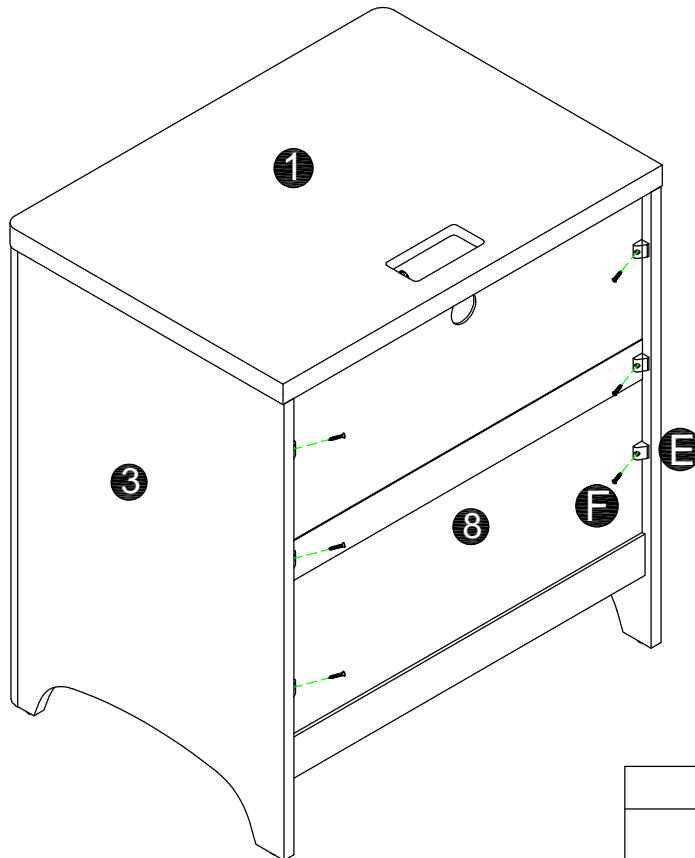
13

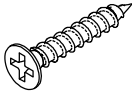
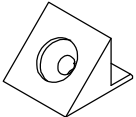


14

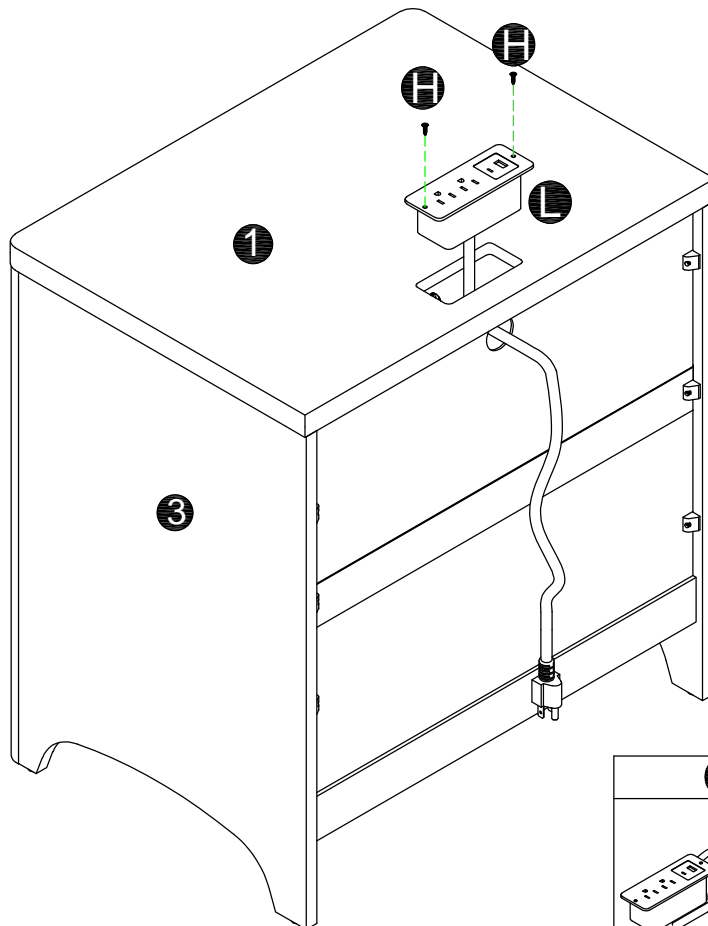


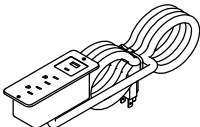

15



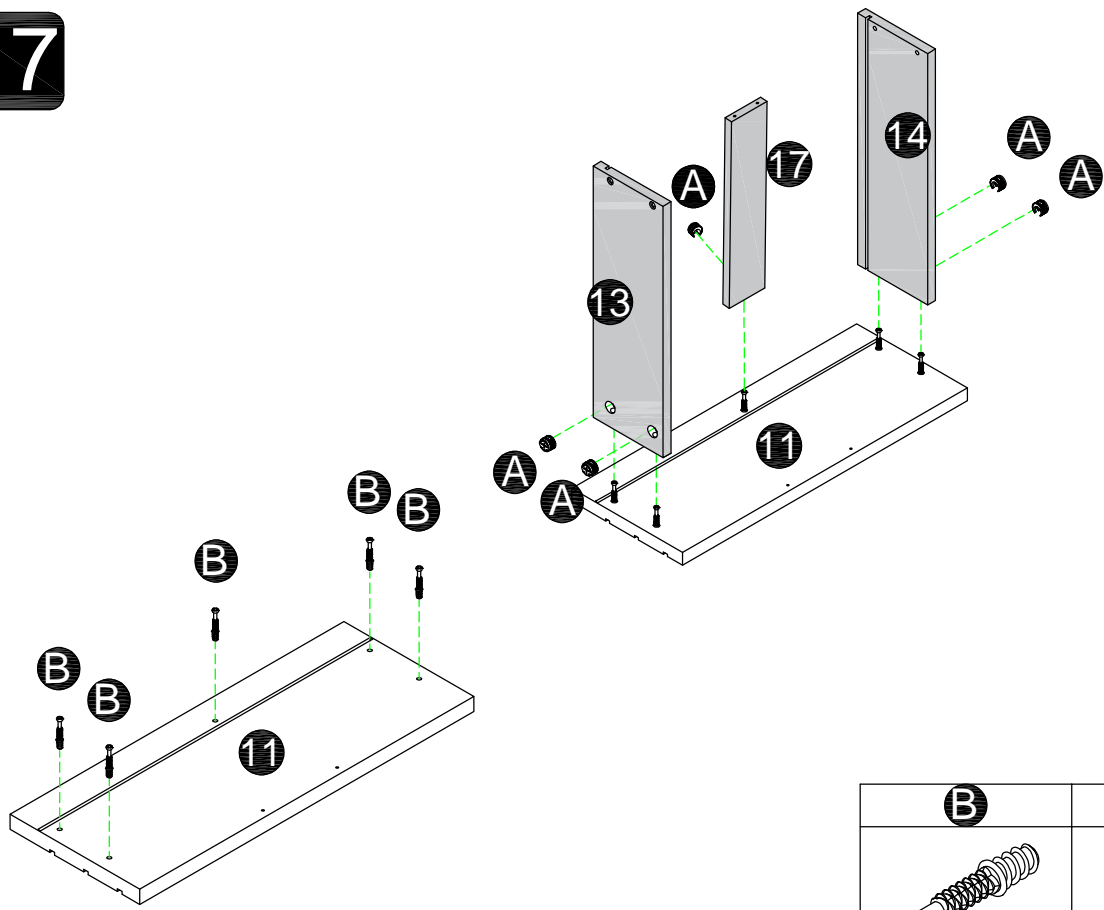
F	E
	
Ø3*17mm X6	15*13.5*10mm X6

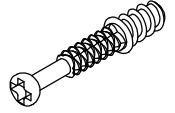

16



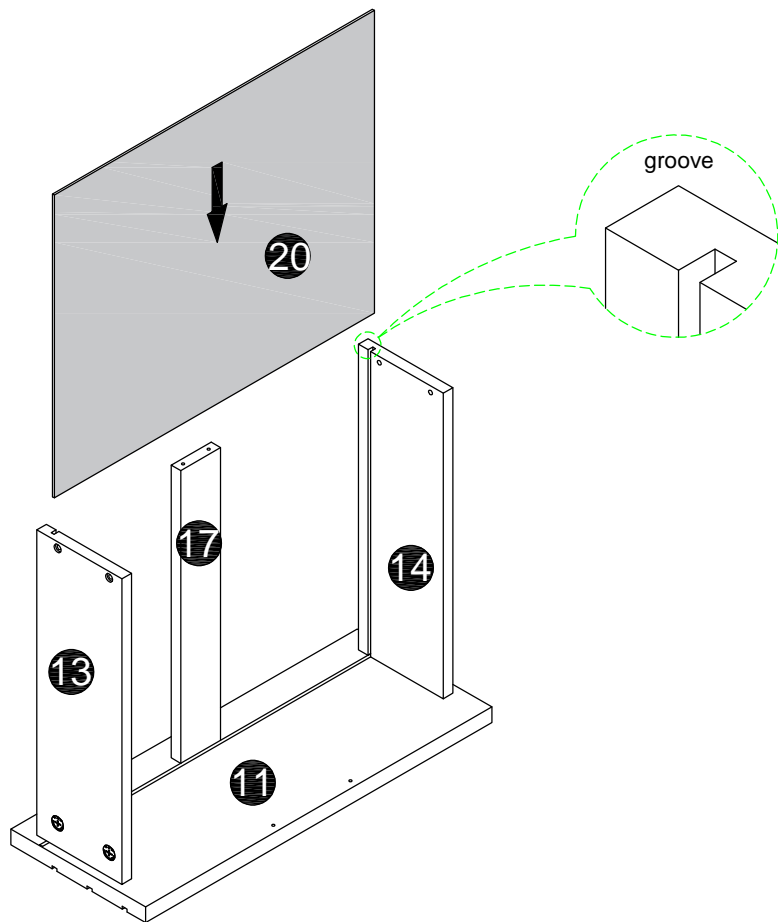
L	H
	
125*47*45mm X1	Ø3.5*12mm X2

17

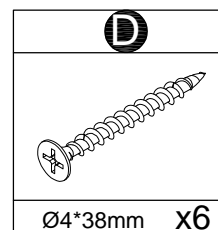
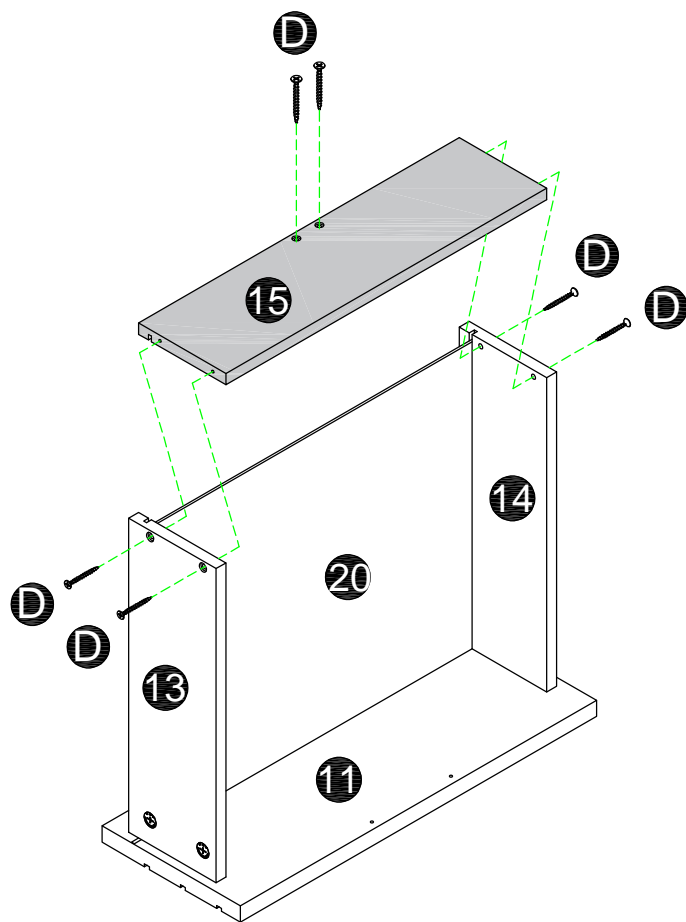


B	A
	
Ø6*33mm x5	Ø15*10mm x5

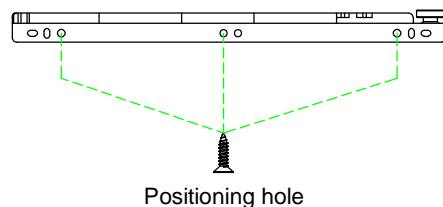
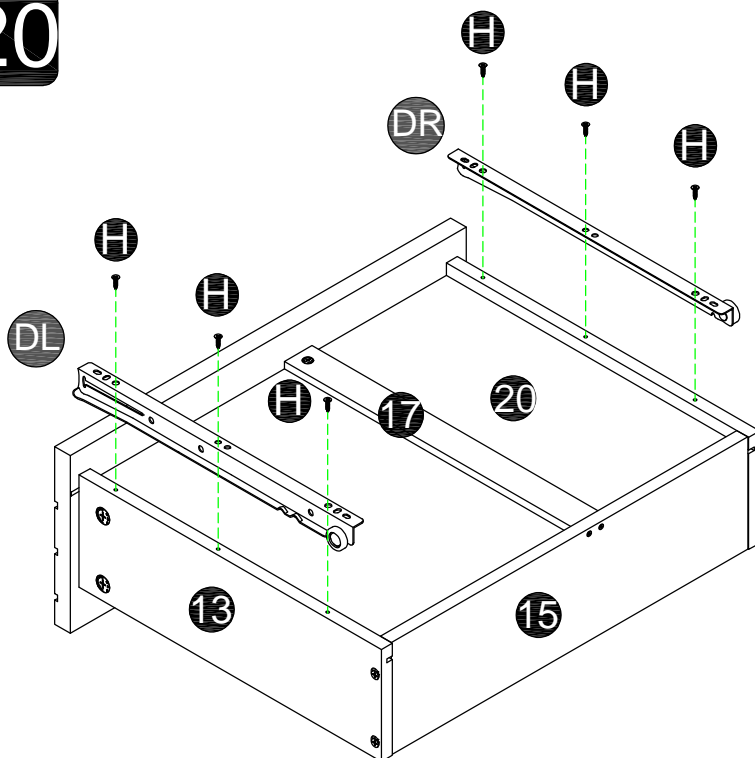
18


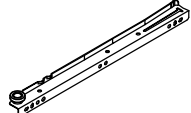
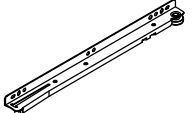


19

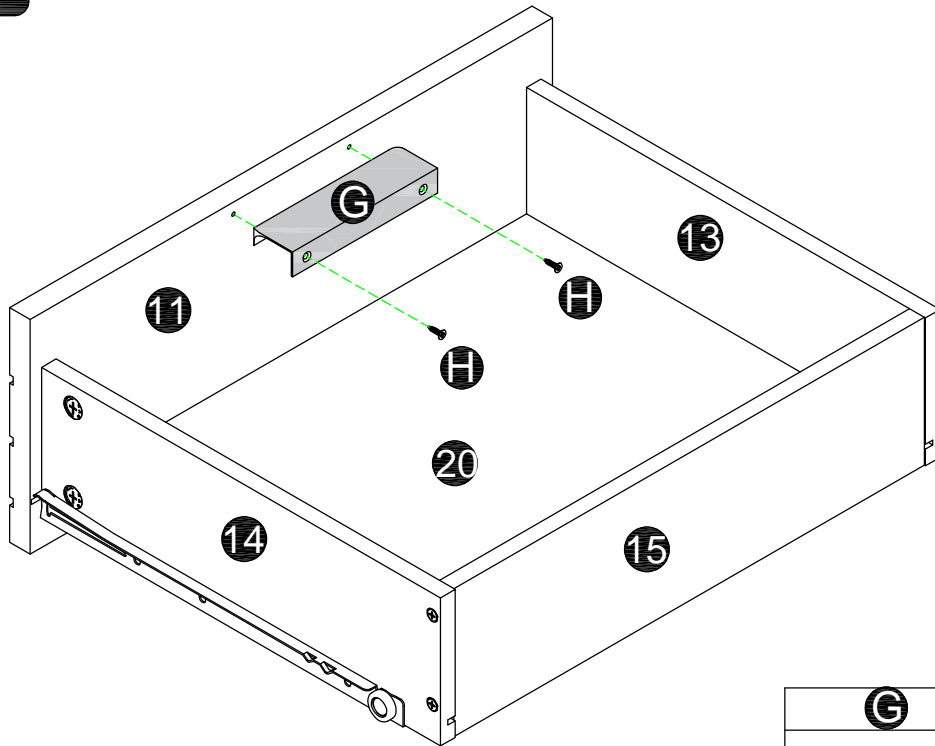


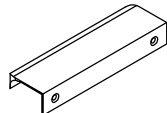

20



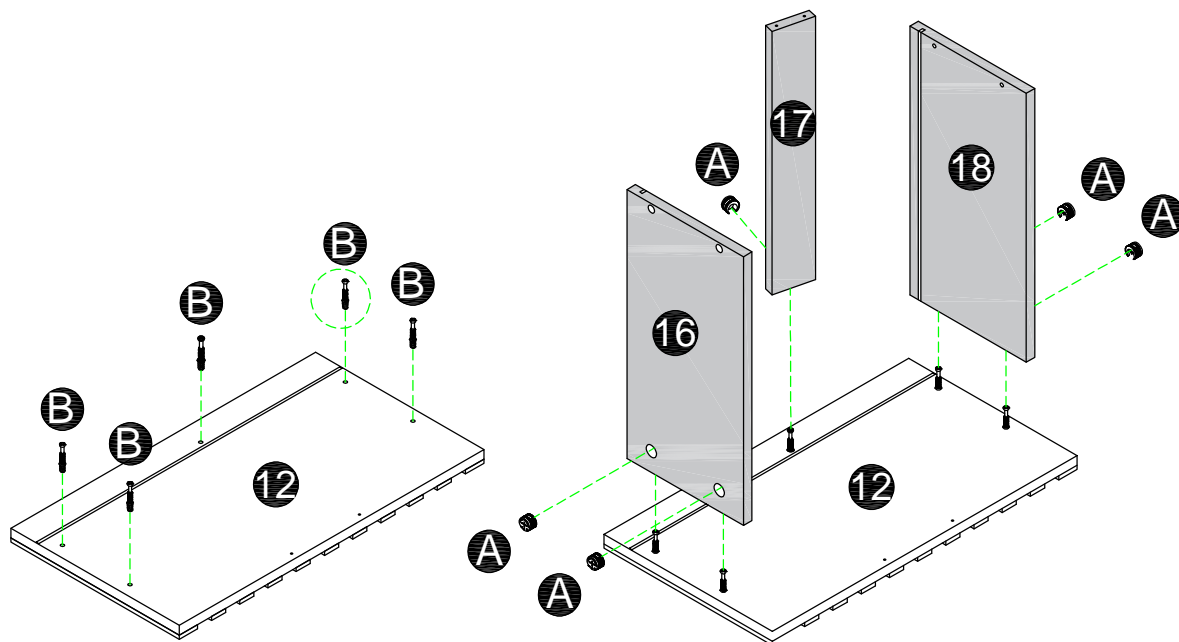
H	DL	DR
		
Ø3.5*12mm X6	300*21*21mm X1	300*21*21mm X1

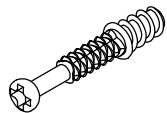
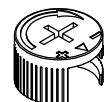
21



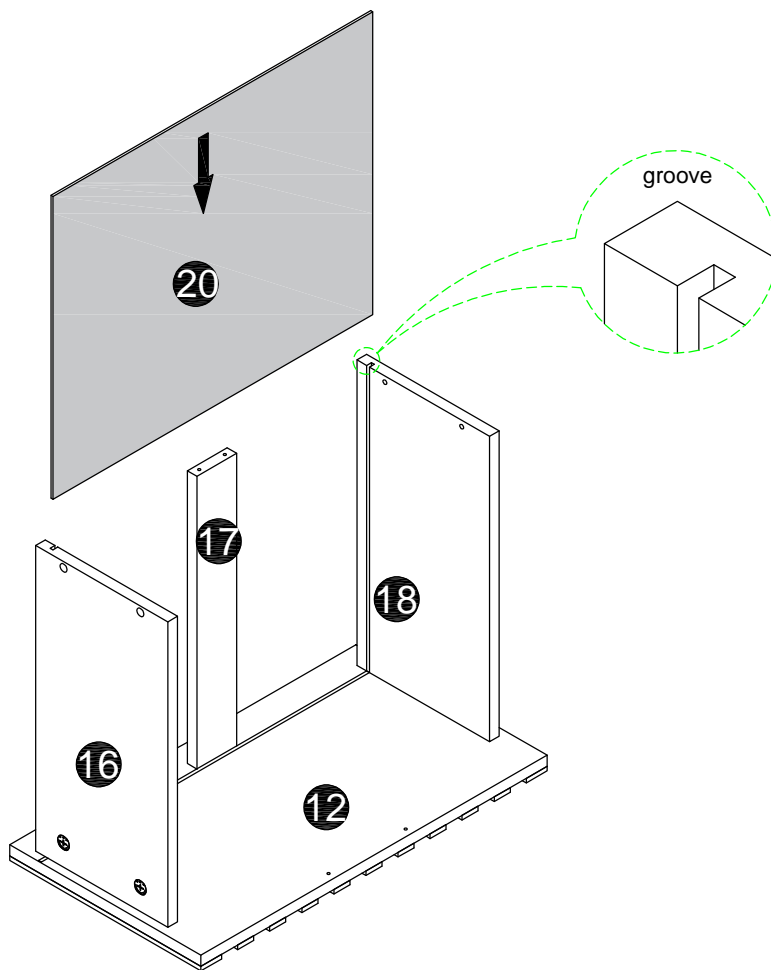
G	H
	
120*38*14mm X1	Ø3.5*12mm X2

22

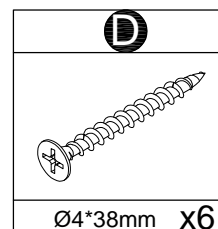
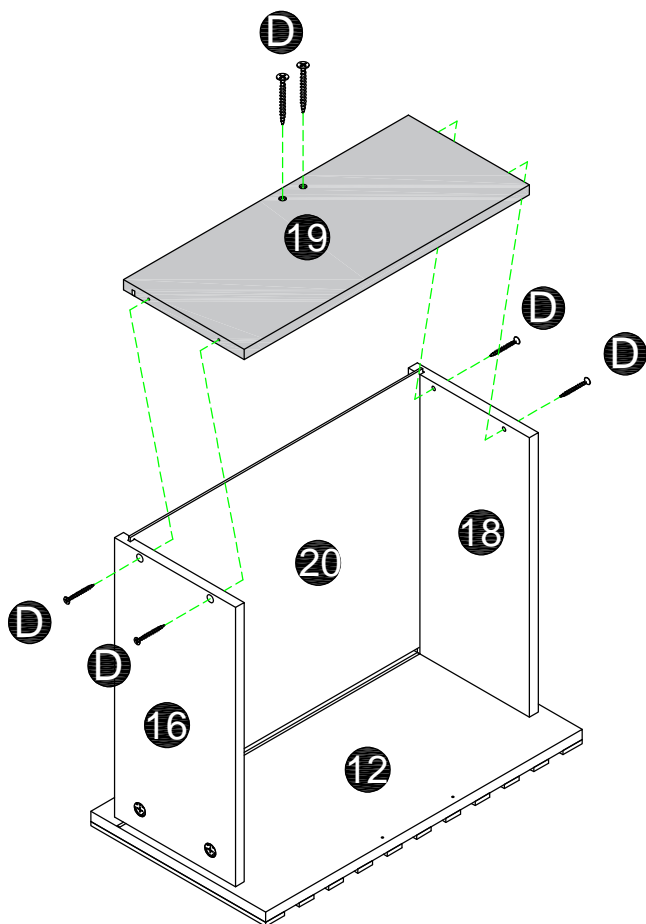


B	A
	
Ø6*33mm X5	Ø15*10mm X5

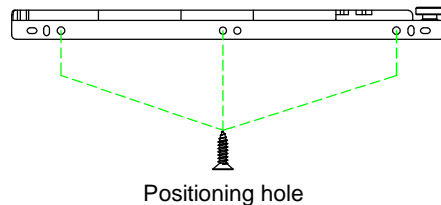
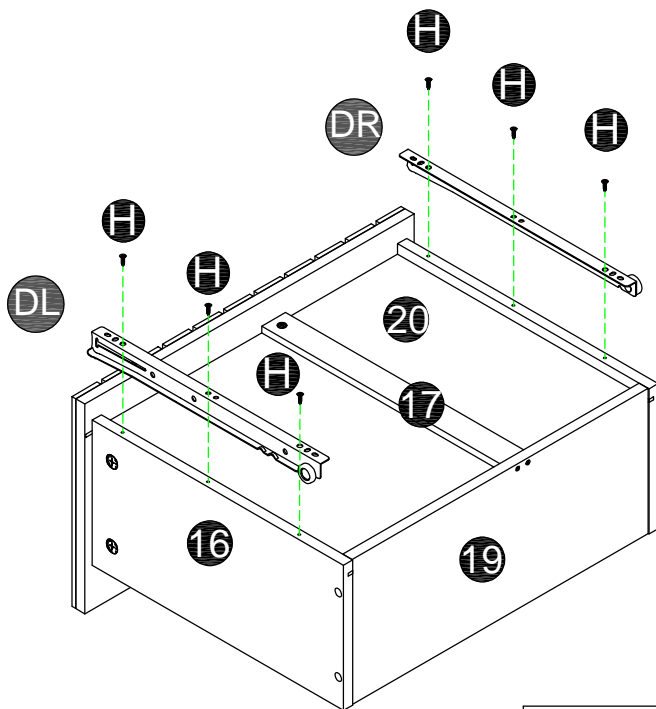
23

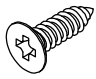
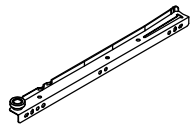
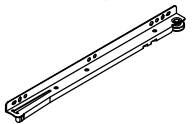


24

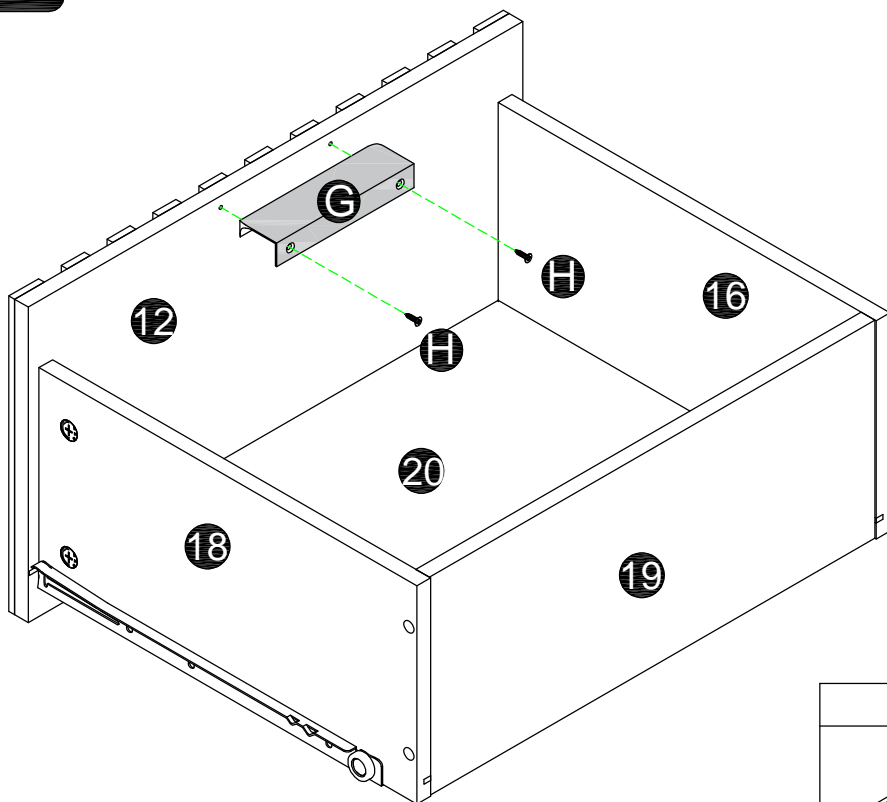


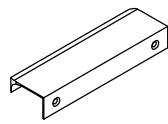
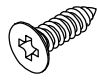
25



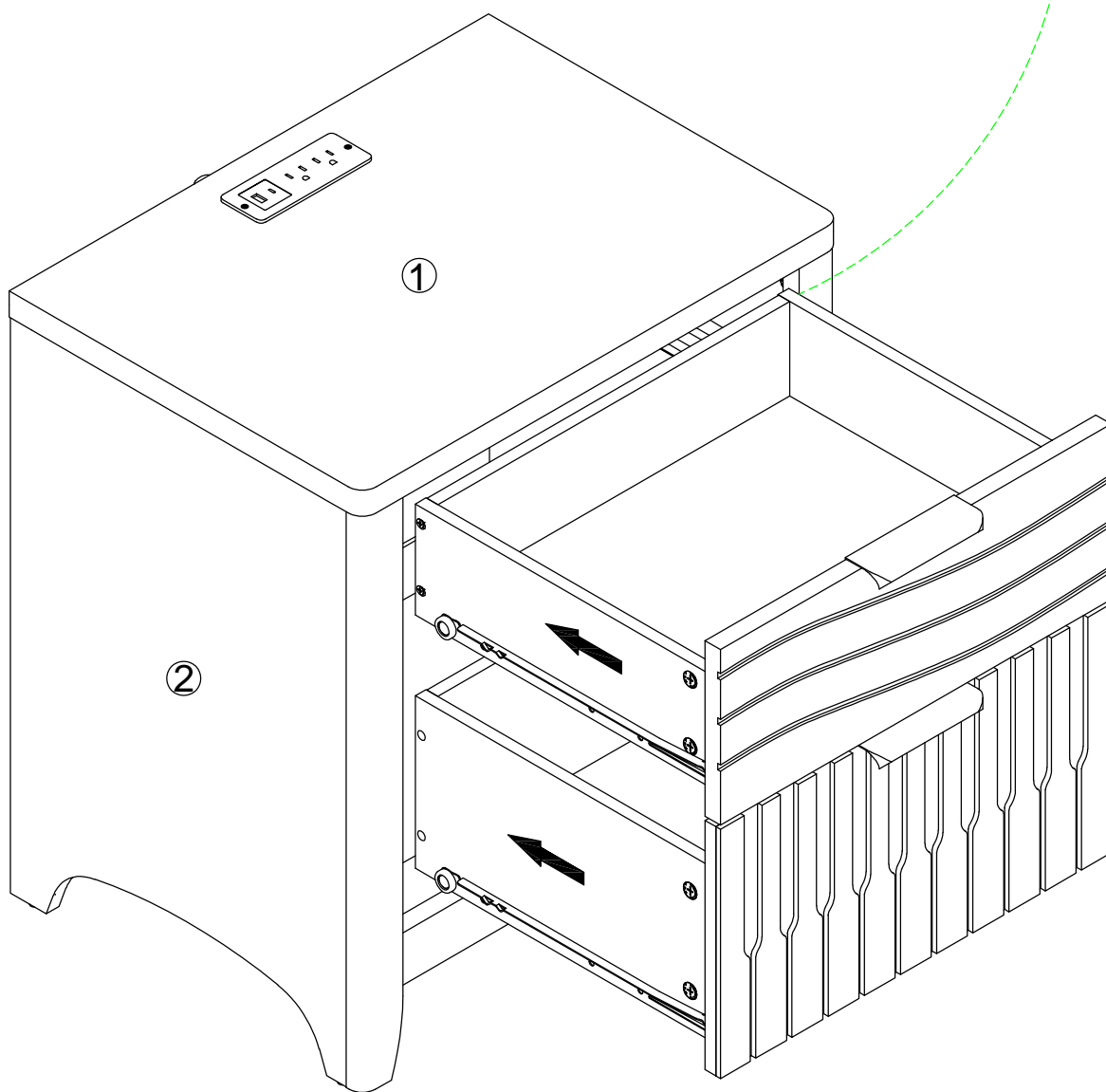
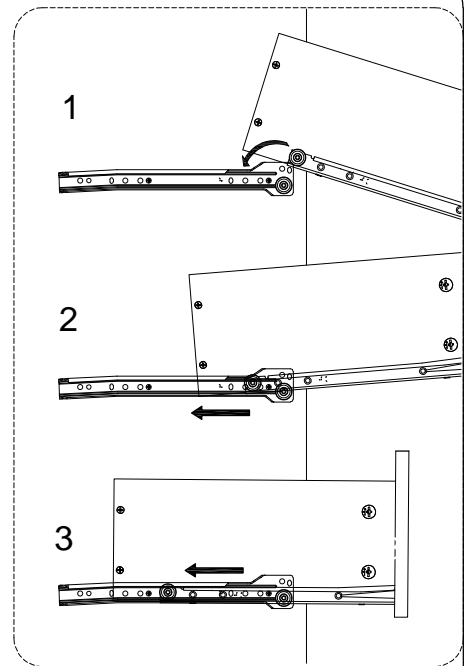
H	DL	DR
		
Ø3.5*12mm X6	300*21*21mm X1	300*21*21mm X1

26

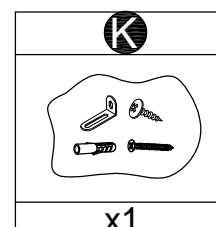
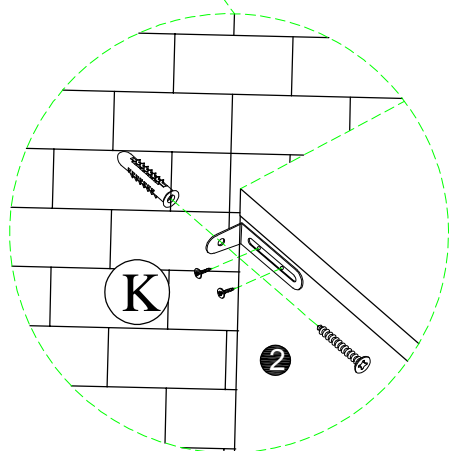
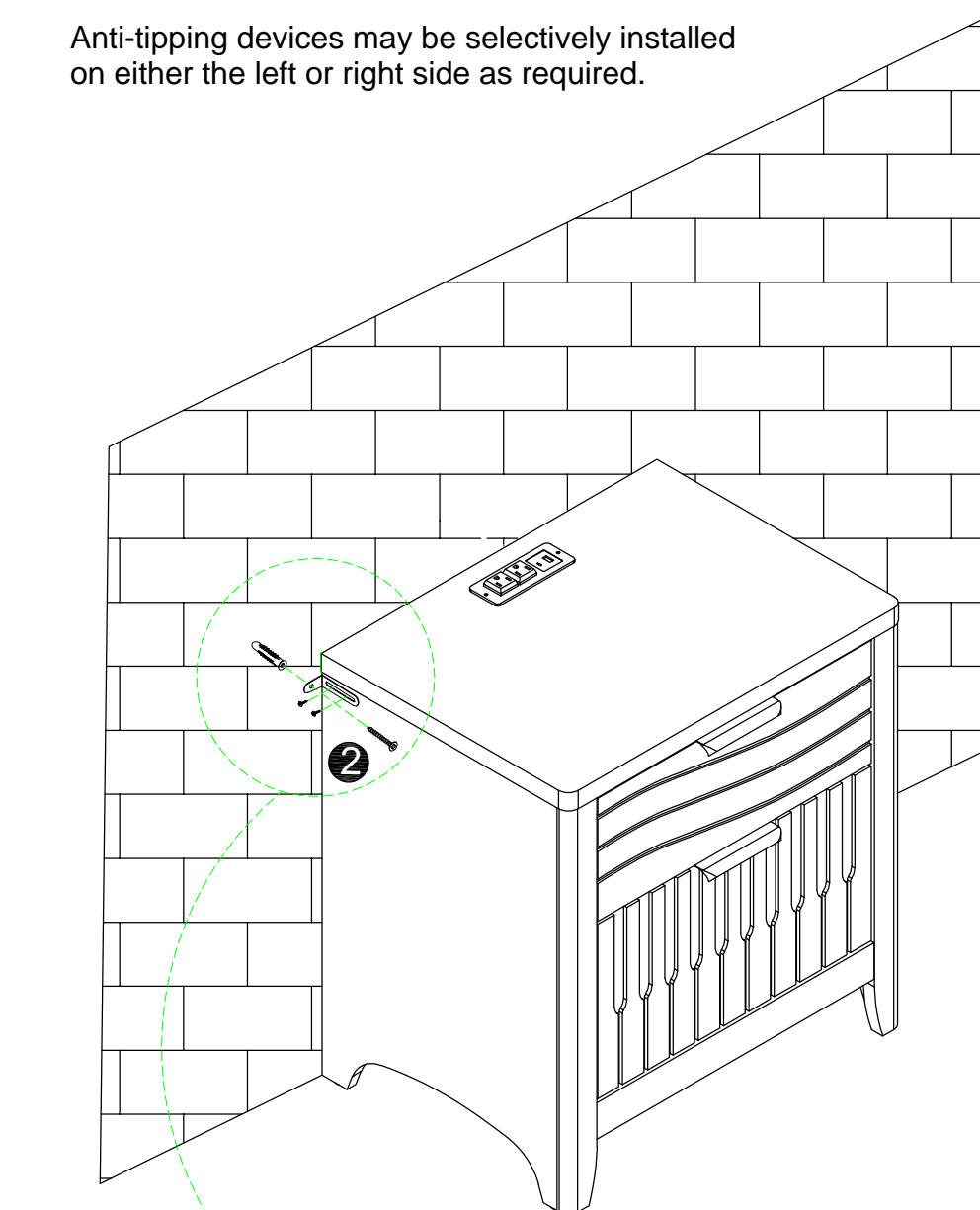


G	H
	
120*38*14mm X1	Ø3.5*12mm X2

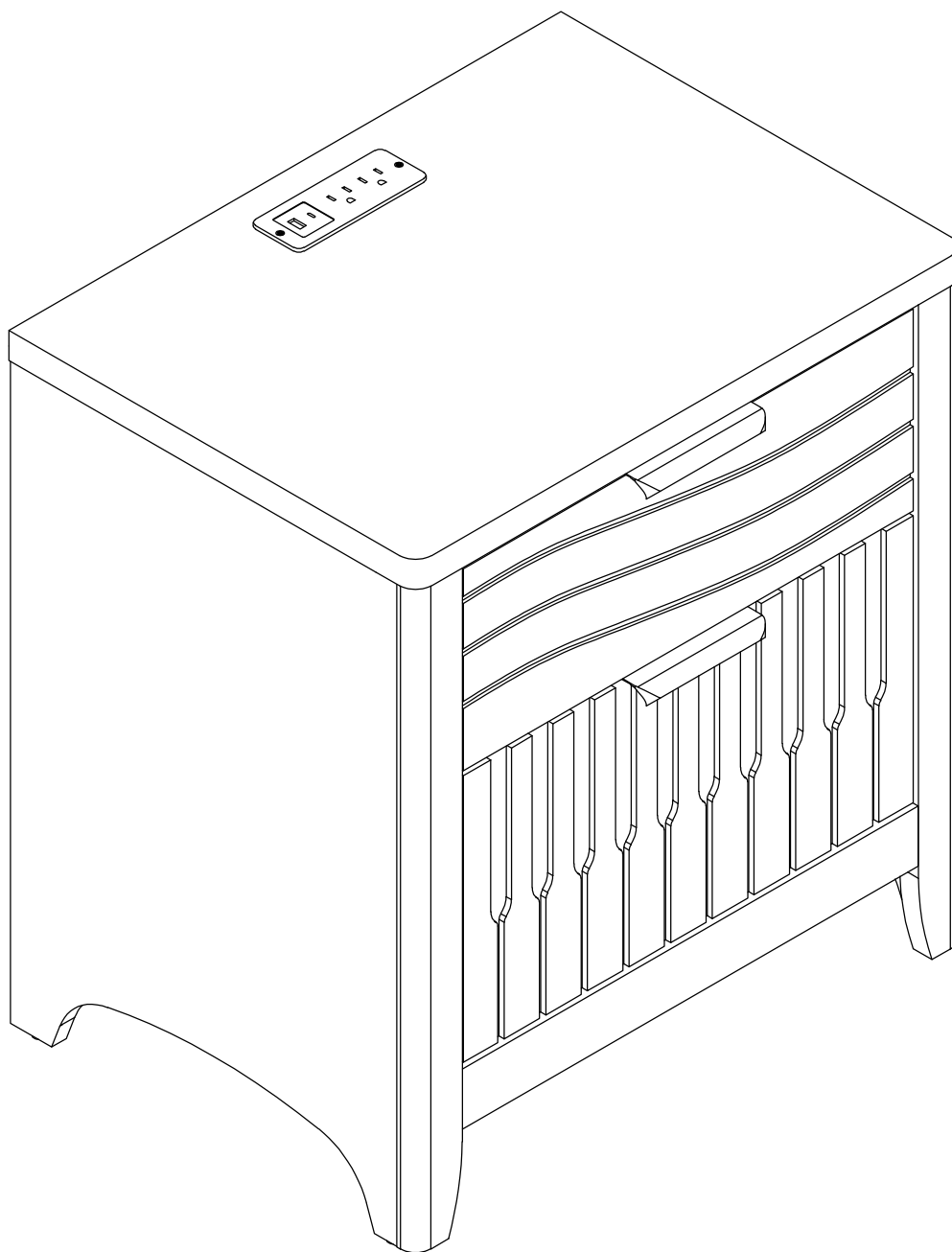
27



Anti-tipping devices may be selected installed on either the left or right side as required.



29



END