











# Assembly Instructions

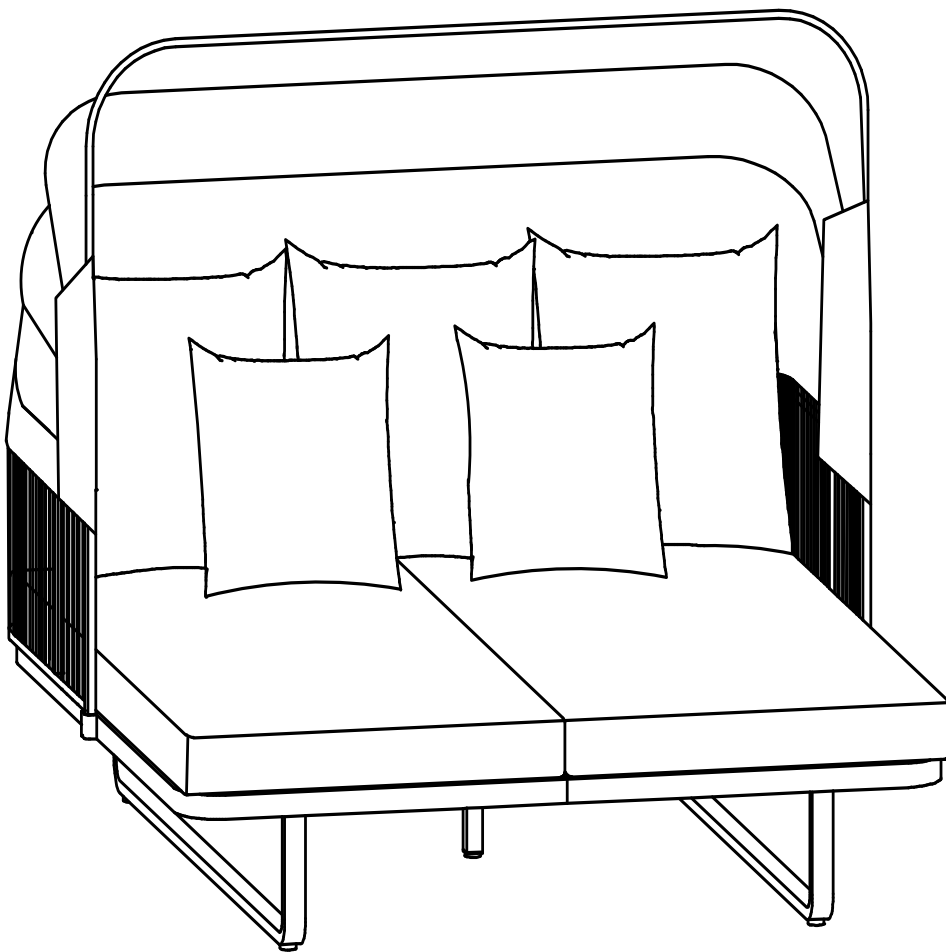
**Caution : You must read these Assembly Instructions before you proceed**

## Care & Maintenance

- ⊘  ● Not for commercial use. For residential use only.
- ⊘  ● Prolonged exposure to rain may cause rusting which can stain floors.
- ⊘  ● Do not put hot items directly on furniture surface.
- ⊘  ● Do not clean furniture with harsh cleansers or polish.
- ✓  ● To obtain the longest lifespan of your outdoor products, minimizing exposure to direct sunlight is recommended.
- ⊘  ● Children should not climb or jump on the furniture.
- ⊘  ● Do not write on furniture without a padded barrier to protect the surface.
- ✓  ● To obtain the longest lifespan of your outdoor products, avoid extended and lengthy exposure to rain, snow, and direct sunshine. Whenever possible cover the product and /or place under patio or awnings.
- ⊘  ● Stains may be removed with mild soap solution and damp cloth.
- ✓  ● Dust and pick-up spills using a clean, non-colored, lint-free cloth.

# DAYBED

Please look underneath the Daybed Panel for hardware packs



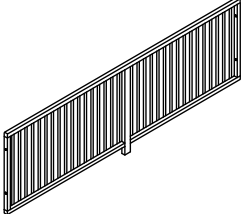
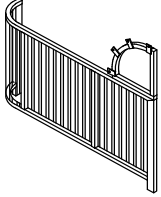
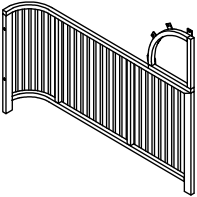
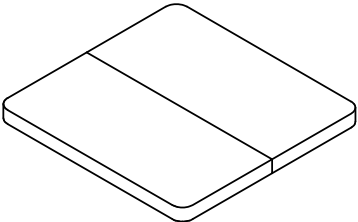
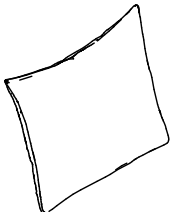
**CAUTION:** This Daybed is NOT a TOY.

Keep your child / children at bay during the assembly process.

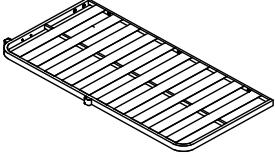
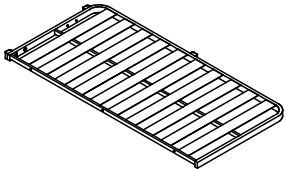
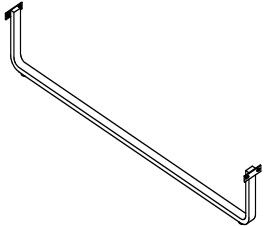
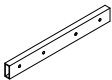
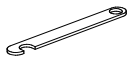
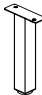
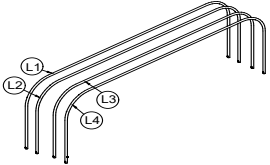

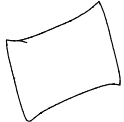
For turning the Daybed and to prevent damage to the Daybed, 02 adults may be needed to execute this action.

Parts List



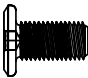





BOX 1/2

Label	Picture	Description	Q.TY
C	 A long, narrow panel with vertical slats, shown at an angle.	Backrest Panel	1
E	 A panel with vertical slats, curved on the left side and ending in a semi-circular top.	Left Back-rest Panel	1
F	 A panel with vertical slats, curved on the right side and ending in a semi-circular top.	Right Back-rest Panel	1
M	 A rectangular cushion with rounded corners and a visible seam down the middle.	Cushion	1
P	 A square pillow with a slightly ruffled or textured surface.	Backrest Pillow	3

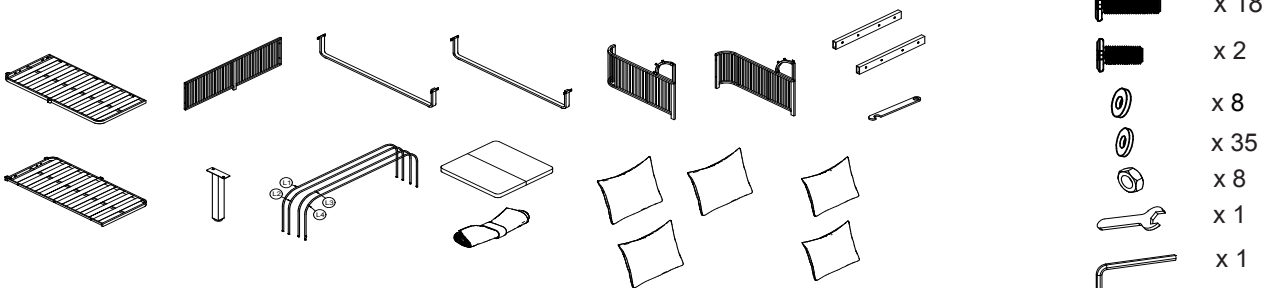
Parts List      BOX 2/2

Label	Picture	Description	Q.TY
A		Left Seat Panel	1
B		Right Seat Panel	1
D		Leg Panel	2
G		Support Bar	2
H		Lock	1
K		Leg	1
L		Roof Frame	4
N		Fabric Cover	1
Q		Hand Pillow	2

## Hardware BOX 2/2

Label	Picture	Description	Q.TY
①		Bolts: M6x25mm	15
②		Bolts: M6x20mm	18
③		Bolts: M6x10mm	2
④		Washer: Ø6x16x1mm	35
⑤		Plastic Washer: Ø6x16x2mm	8
⑥		Nut M6	8
⑦		Wrench: Ø6x2mm	1
⑧		Allen Wrench	1

### Assembly Preparation



- Read instructions, cover to cover-



- Have 2 adults on hand for assembly-



- Do not assemble on flooring or carpet-



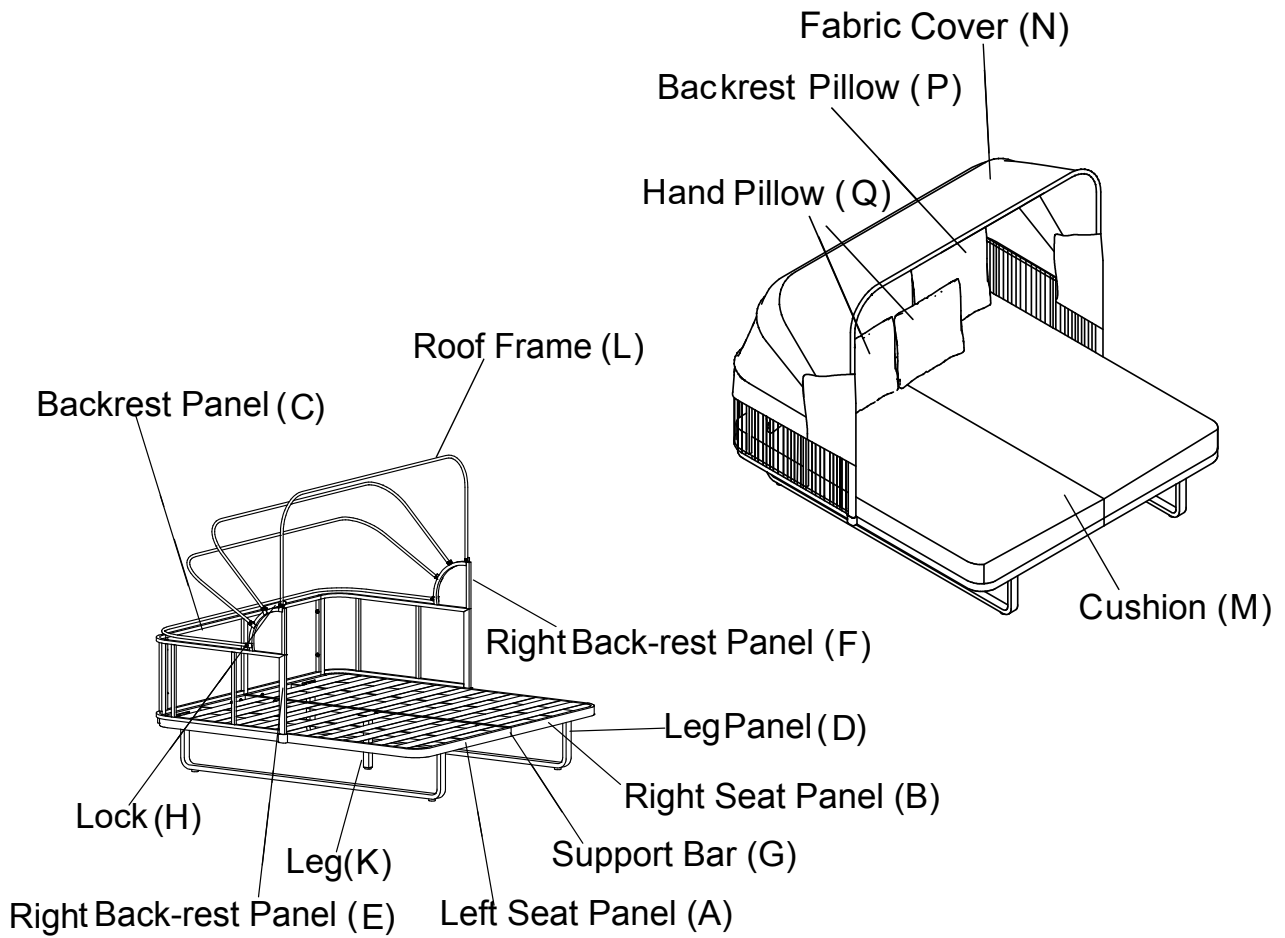
- Assemble on a clean non-marring surface (packing foam)-



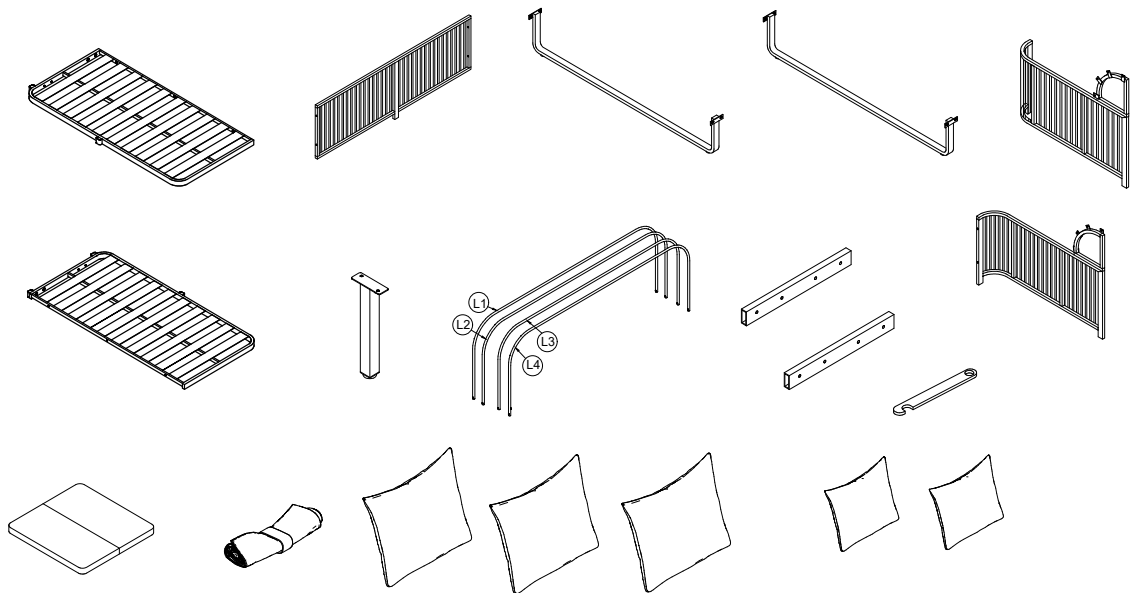
- Save all packaging until finished-

# Assembly Steps

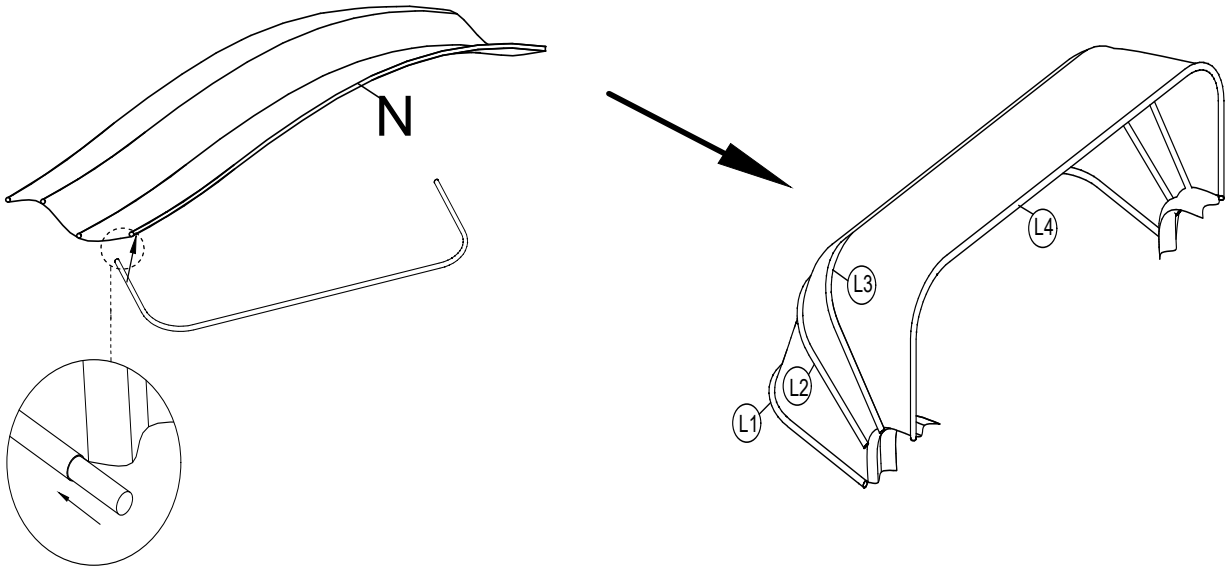
## OVERVIEW



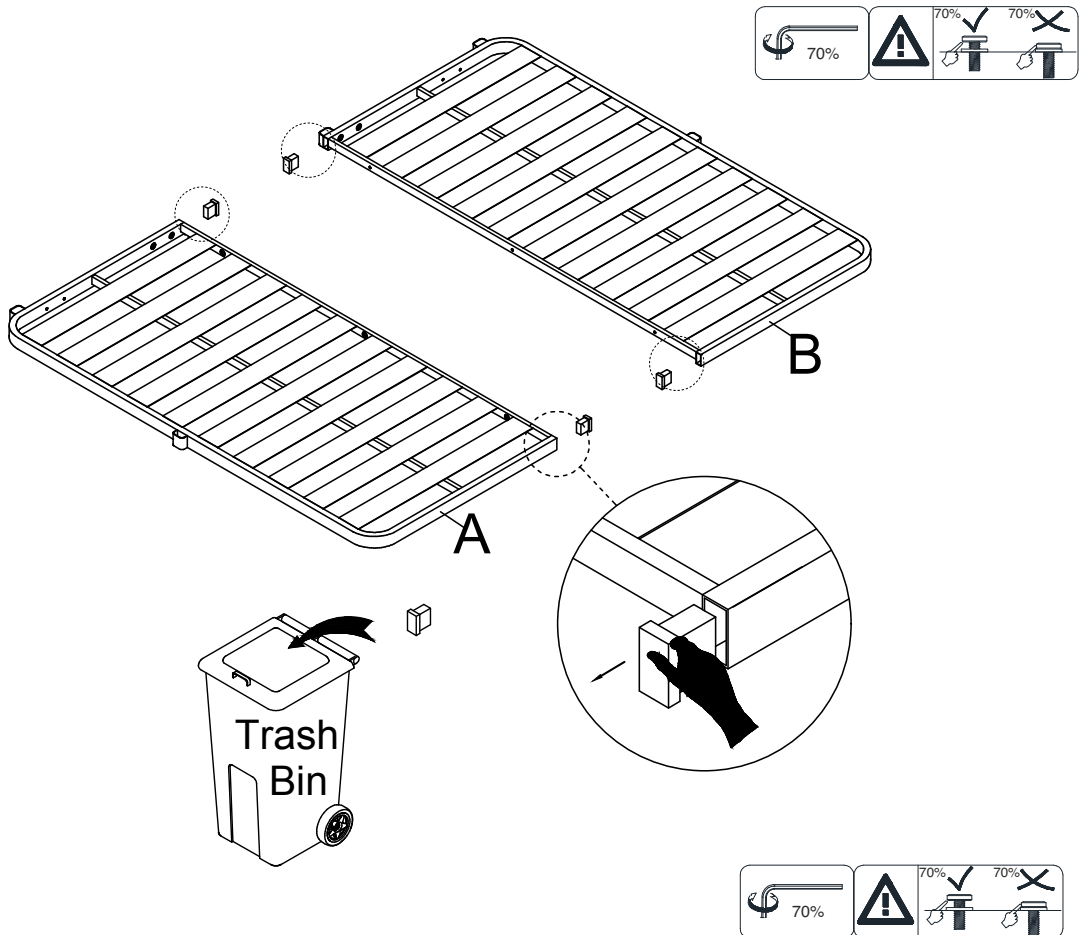
## Step 1



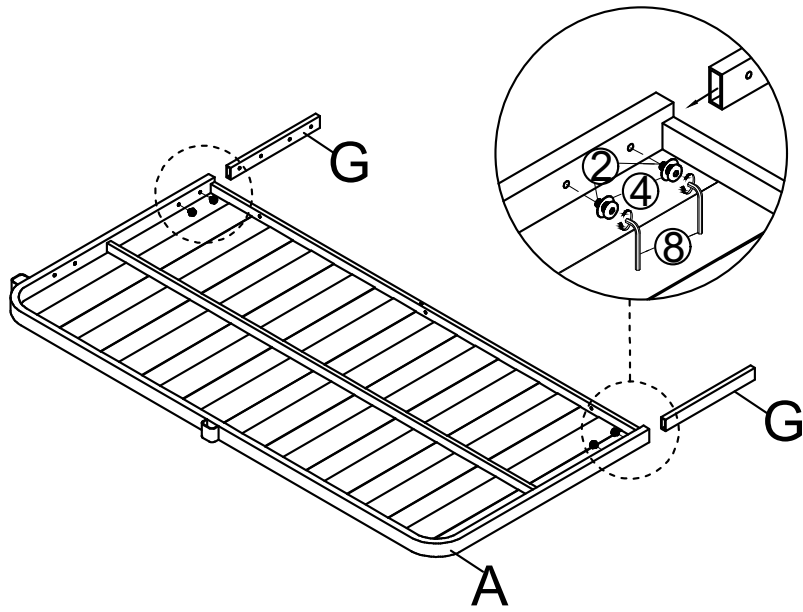
## Step 2



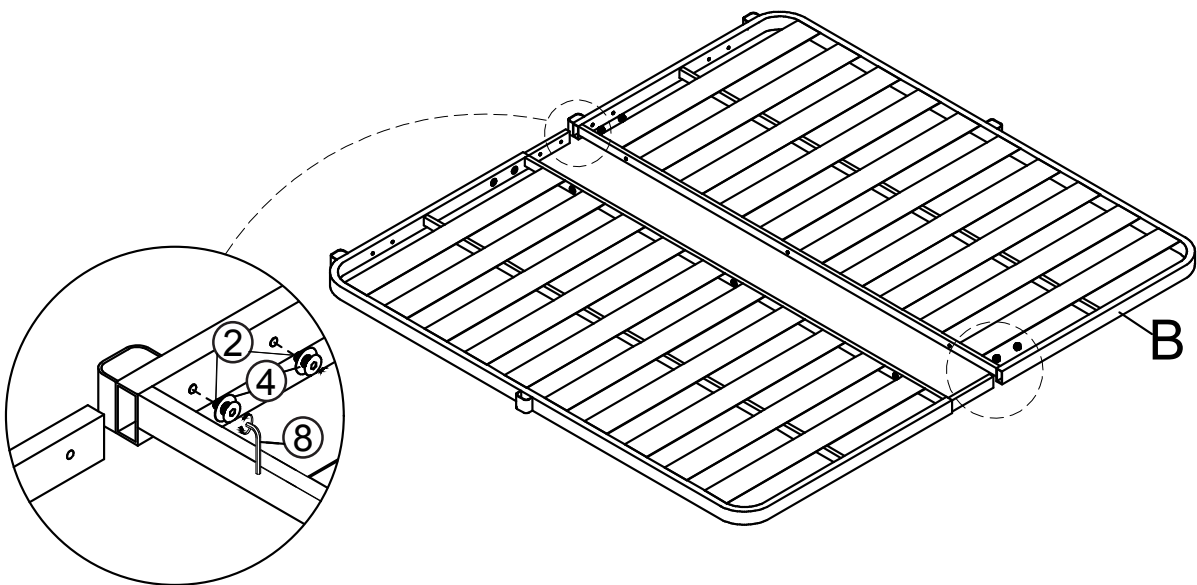
## Step 3



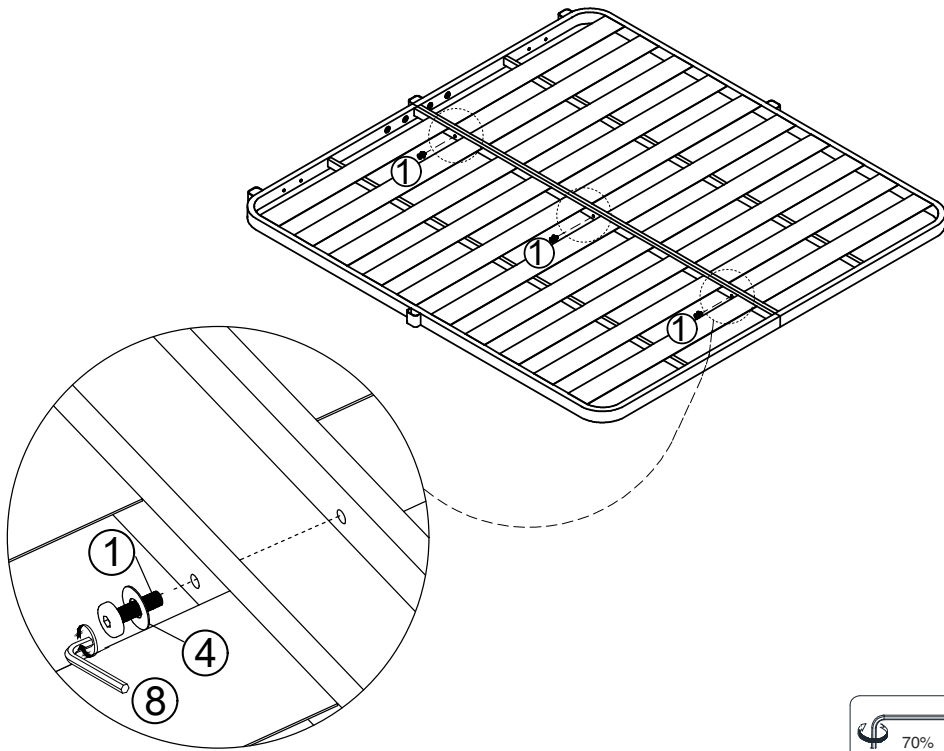
## Step 4



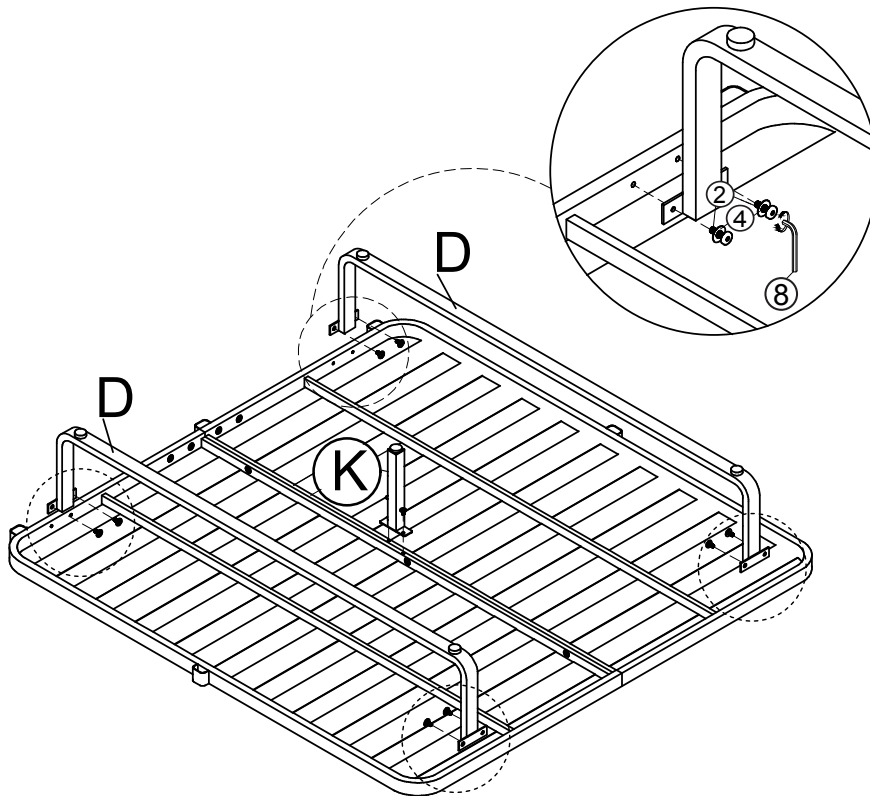
## Step 5



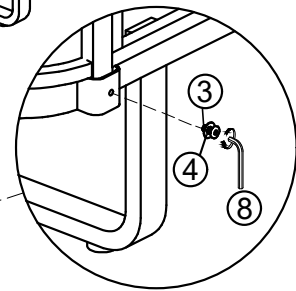
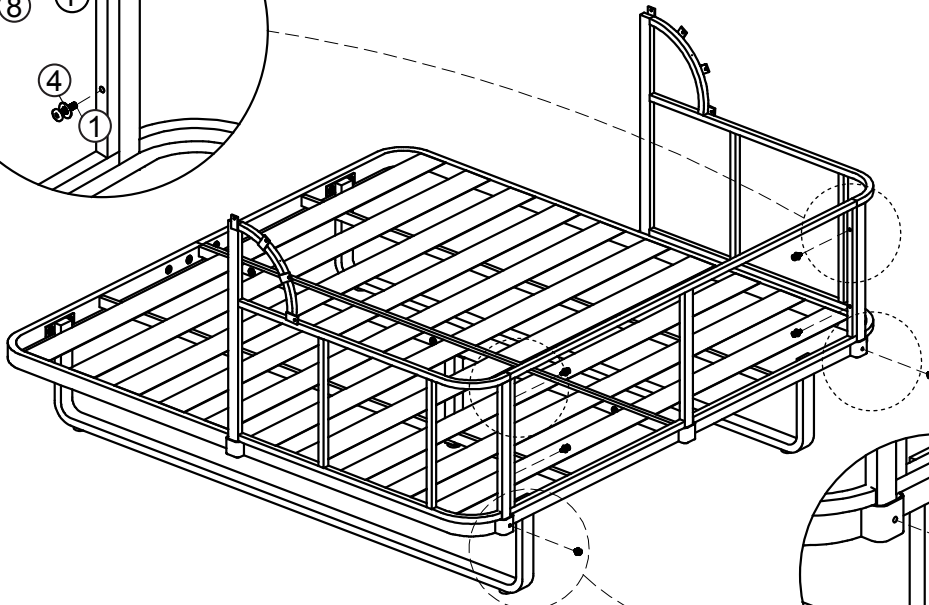
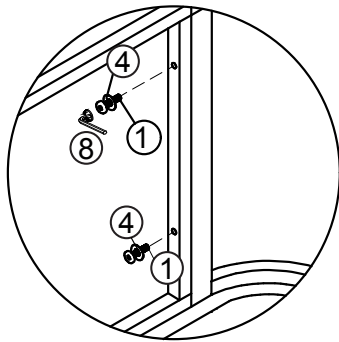
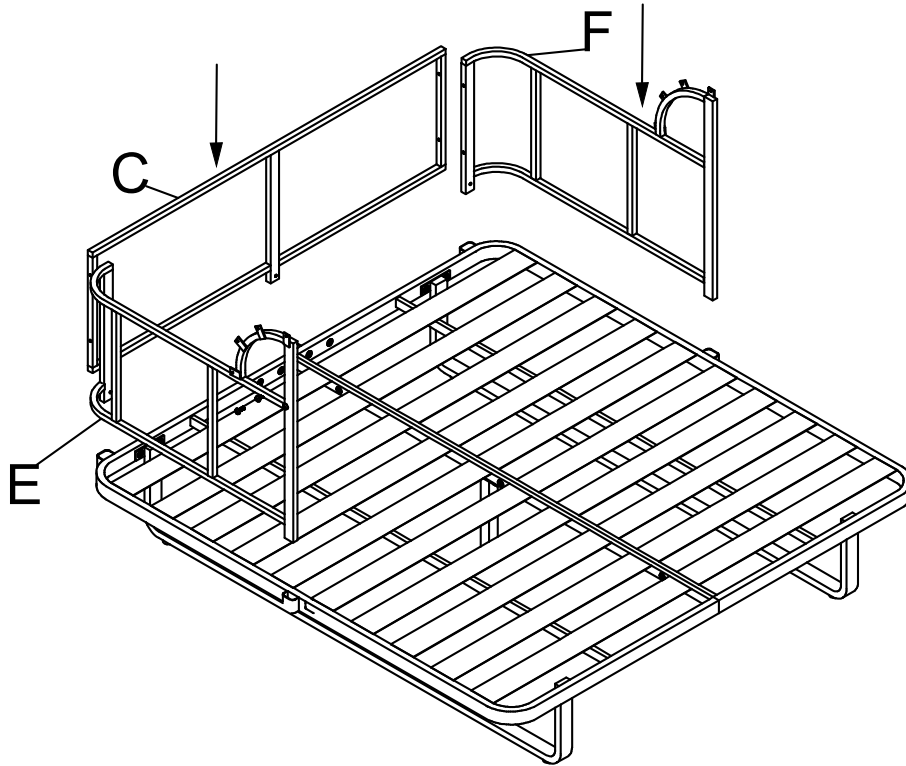
## Step 6



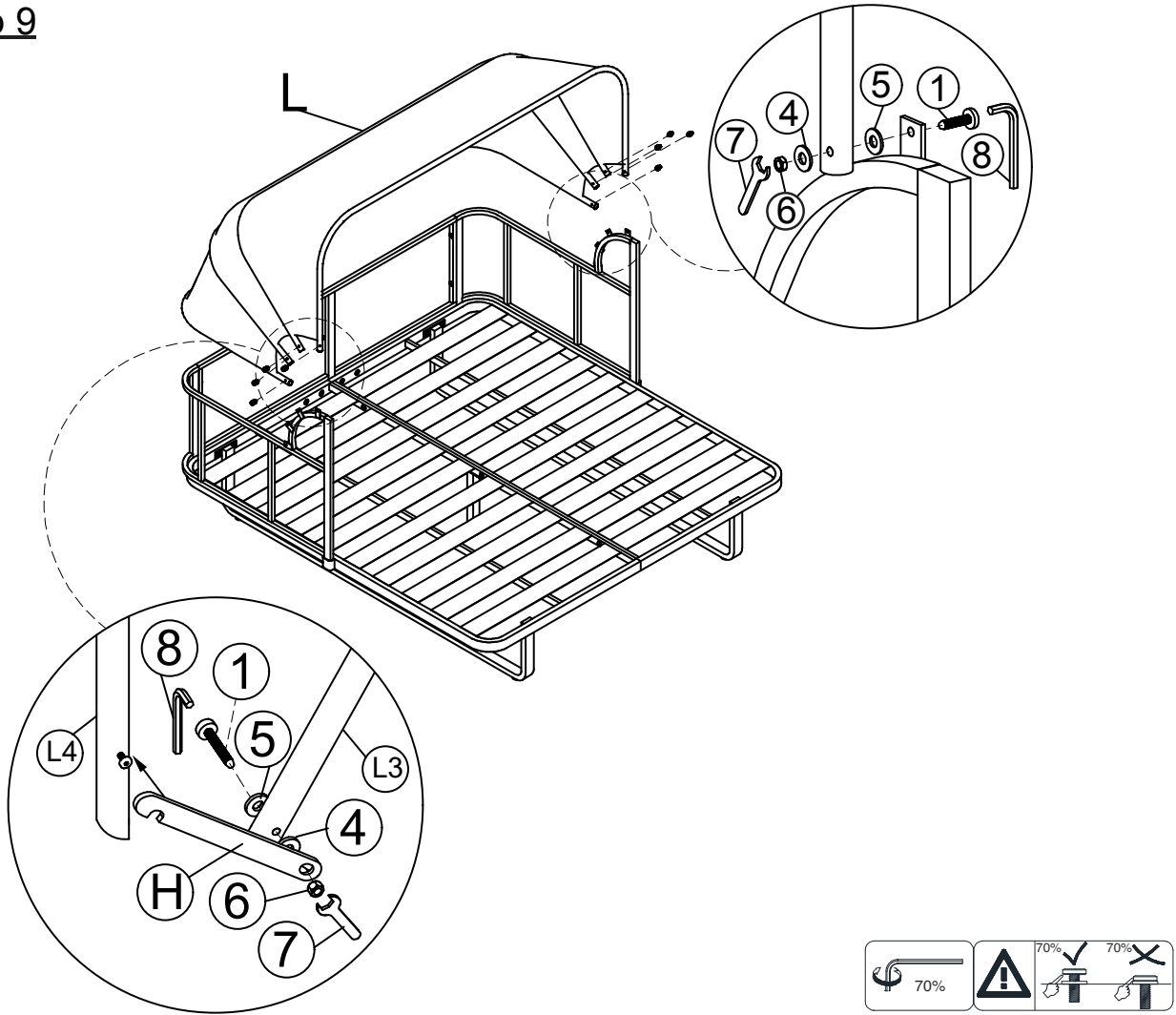
## Step 7



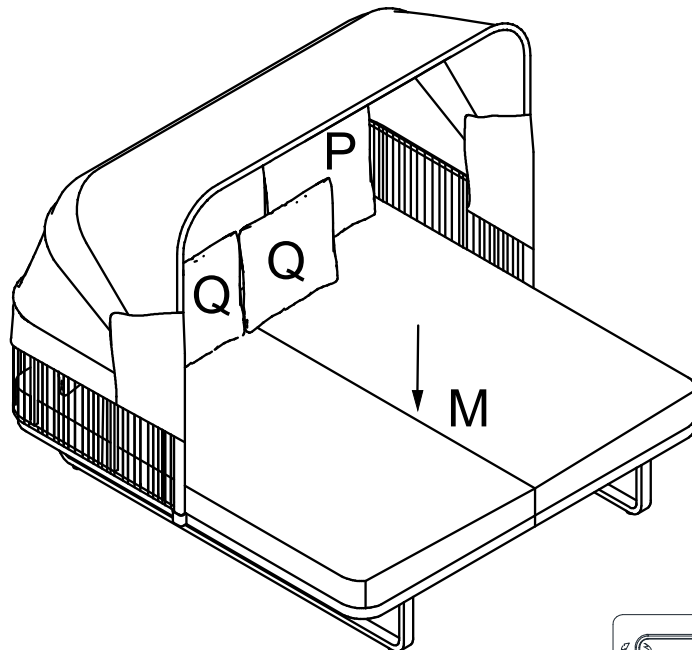
# Step 8



### Step 9



### Step 10



## Questions & Answers about Proposition 65

- What is Proposition 65?

Proposition 65 requires businesses to provide warnings to Californians about significant exposures to chemicals that cause cancer, birth defects or other reproductive harm. These chemicals can be in the products that Californians purchase, in their homes or workplaces, or that are released into the environment. By requiring that this information be provided, Proposition 65 enables Californians to make informed decisions about their exposures to these chemicals. Proposition 65 also prohibits California businesses from knowingly discharging significant amounts of listed chemicals into sources of drinking water.

Proposition 65 requires California to publish a list of chemicals known to cause cancer, birth defects or other reproductive harm. This list, which must be updated at least once a year, has grown to include approximately 900 chemicals since it was first published in 1987.

- What types of chemicals are on the Proposition 65 list?

The list contains a wide range of naturally occurring and synthetic chemicals that include additives or ingredients in pesticides, common household products, food, drugs, dyes, or solvents. Listed chemicals may also be used in manufacturing and construction, or they may be byproducts of chemical processes, such as motor vehicle exhaust.

- What does a warning mean?

If a warning is placed on a product label or posted or distributed at a workplace, a business, or in rental housing, the business issuing the warning is aware or believes that it is exposing individuals to one or more listed chemicals.

By law, a warning must be given for listed chemicals unless the exposure is low enough to pose no significant risk of cancer or is significantly below levels observed to cause birth defects or other reproductive harm.

- Where can I get more information on Proposition 65?

If you have specific questions on the administration or implementation of Proposition 65, you can contact OEHHA's Proposition 65 program at [P65.Questions@oehha.ca.gov](mailto:P65.Questions@oehha.ca.gov), or by phone at (916) 445-6900.